



Bail and Overdrive Parts

Bail

1 C4714-60093 Bail assembly (E-size) - Has star wheel assemblies attached

Cable

2 C4713-60182 Bail link (Cable) - Flexible stranded wire cable - 12.5cm (4.9 inches) long

Cam

3 C3190-40020 Bail lift cam - Mounted behind the bail engaging lever support

Clutch

4 C4713-60129 Overdrive clutch assembly

Deflector

5 C4713-60117 Media deflector with media button - The media deflector furthest to the right side. Includes media load button

Gear

6 C1633-40019 Overdrive gear cluster

7 C1633-40027 Bail engaging lever gear

8 C3190-40019 Bail lift cam gear

Hardware

9 0510-0083 Retaining E-ring - 0.250-in diameter, steel zinc-dichromate dip

Lever

10 C3190-40022 Bail engaging lever - Small item that holds one end of bail cable - Snaps into bail engaging lever support

Roller

11 C4714-60115 Overdrive roller assembly (E-size) - Includes overdrive shaft with rollers, overdrive housing, 2 media deflectors without media button, and media deflector with media button

Spring

12 07575-80012 Bail gear support 'claw' spring - Attached between the bail engaging lever support and the bail gear assembly

13 C3190-80013 Bail cable spring

Support

14 C3190-40021 Bail gear support - The mount for the bail lift cam gear and the bail lift engaging gear (Part of the bail gear assembly)

15 C4713-40016 Bail engaging lever support - Mounted over the left end of the drive roller - Bail engaging lever snaps into this item

Carriage Drive Parts

Belt

16 C4706-60082 Carriage belt (E-size) - Long/wide belt attached to the carriage

Bracket

17 C3190-40040 Left encoder bracket - Holds left end of encoder strip

18 C4713-40017 Right encoder bracket - Holds right end of encoder strip

Cable

19 C4714-60181 Carriage assembly trailing cable (E-size) - Has 60 pin (F) connectors - 1.9m (6.2ft) long

Carriage

20 C4713-60039 Pen carriage assembly - Includes PC board, line sensor, carriage height gauge, carriage bushings, and instructions

Clamp

21 1400-1021 Cable clamp

Clip

22 C3190-00012 Left encoder clip

23 C3190-00013 Right encoder clip

24 C3190-00086 Trailing cable clip



Carriage Drive Parts

Cover

25 C4713-40038 Carriage top cover

Guide

26 C4700-60052 Trailing cable guide (E-size) - Tray used to hold and guide trailing cable

Label

C3178-00030 Carriage label - Shows ink cartridge location

Lubricant

28 6040-0858 Special lubricating oil - For carriage slider rod surface - 4oz (113g) plastic bottle of synthetic oil

Motor

29 C4713-60092 Carriage motor assembly - Includes cable

Pulley

30 C3190-60132 Idler pulley - For main drive belt - On left end of plotter - Includes pulley, shaft and spacer

Spring

31 C4699-00016 Encoder spring

Strip

32 C4714-60098 Encoder strip assembly (E-size) - Includes encoder strip and encoder strip spring

Electronic Accessories

Cable (Interface)

31391A RS-232C serial extension cable - 25 pin (M) to 25 pin (F) - 5.0m (16.4ft) long

C2990A IEEE-1284 Bi-Tronics parallel cable - DB-25 (M) (type A) to 36 pin (M) Centronics (type B) - 1.8m (6ft) long
NO LONGER SUPPLIED

5063-1256 IEEE-1284 Bi-Tronics parallel cable - DB-25 (M) connector (type A) to 36 pin Centronics (M) connector (type B) - 2.0m (6.6ft) long

C2950A IEEE-1284 Bi-Tronics parallel cable - DB-25 (M) connector (type A) to 36 pin Centronics (M) connector (type B) - 2.0m (6.6ft) long

5063-1256 *New Part for C2950A*

5063-1257 IEEE-1284 Bi-Tronics parallel cable - DB-25 (M) connector (type A) to 36 pin Centronics (M) connector (type B) - 3.0m (9.8ft) long

C2951A IEEE-1284 Bi-Tronics parallel cable - DB-25 (M) connector (type A) to 36 pin Centronics (M) connector (type B) - 3.0m (9.8ft) long

C2991A IEEE-1284 Bi-Tronics parallel cable - DB-25 (M) (type A) to 36 pin (M) Centronics (type B) - 3.0m (10ft) long
NO LONGER SUPPLIED

17255M RS-232C serial cable - 25 pin (M) to 25 pin (M) - 1.0m (3.3ft) long
NO LONGER SUPPLIED

C2913A RS-232C serial cable - 25 pin (M) to 25 pin (F) - 1.2m (3.9ft) long
NO LONGER SUPPLIED

17302A RS-232C serial cable - 25 pin (M) to 8 pin (M) DIN - 1.5m (4.9ft) long
NO LONGER SUPPLIED

92219M RS-232C serial cable - 25 pin (M) to 9 pin (M) - 1.5m (4.9ft) long
NO LONGER SUPPLIED

17355M RS-232C serial cable - 25 pin (M) to 25 pin (M) - 3.0m (9.8ft) long
NO LONGER SUPPLIED

24542G RS-232C serial cable - 25 pin (M) to 9 pin (F) - 3.0m (9.8ft) long - Used to connect to HP Vectra and IBM PC/AT compatibles

13242G RS-232C cable - 25 pin (M) to 25 pin (M) - 5.0m (16ft) long
NO LONGER SUPPLIED



Electronic Accessories

Firmware

C6082-60074 Firmware upgrade kit - Upgrades to version A.01.06

Interface (Product)

J2591A External JetDirect LAN interface module and power module - Has EtherTwist (10Base-T) and ThinLAN (10Base-2) connectors
NO LONGER SUPPLIED

J3264A External JetDirect 500X token ring interface module - Interfaces up to 3 parallel printers to a token ring (DB-9 or RJ-45) LAN

J3265A External JetDirect 500X LAN interface module - Interfaces up to 3 parallel printers to an ethernet 10Base-T (RJ-45), 10Base2 (BNC), or 100Base-TX (RJ-45) LAN

Memory (Product)

C3132A 4MB, 70nS, 36-bit SIMM memory module - For HP LaserJet 4P, 4+, 4V, 5, 5N, 4M, 5P, 5Si
NO LONGER SUPPLIED

C3146-67901 *New Part for C3132A*

C3133A 8MB, 70nS, 36-bit SIMM memory module - For HP LaserJet 4P, 4+, 4V, 5, 5N, 5M, 5P, 5Si
NO LONGER SUPPLIED

C3146-67901 *New Part for C3133A*

C3146A 16MB, 70nS, 36-bit SIMM memory module upgrade - Includes one SIMM

C3146-67901 *New Part for C3146A*

D2297A 16MB, 70nS, 36-bit parity SIMM memory module
NO LONGER SUPPLIED

D3578A 32MB, 70nS, 36-bit parity SIMM memory module
NO LONGER SUPPLIED

Memory (SIMM)

C3132-67901 4MB, 70nS, 36-bit parity SIMM memory module
NO LONGER SUPPLIED

C3146-67901 *New Part for C3132-67901*

C3133-67901 8MB, 70nS, 36-bit parity SIMM memory module
NO LONGER SUPPLIED

C3146-67901 *New Part for C3133-67901*

C3146-67901 16MB SIMM memory module

D2297-69001 16MB, 70nS, 36-bit SIMM memory module
REQUIRES RETURN OF DEFECTIVE PART

D2297-63001 *New Part for D2297-69001*

D3578-69001 32MB, 70nS, 36-bit parity SIMM memory module
REQUIRES RETURN OF DEFECTIVE PART

D3578-63001 *New Part for D3578-69001*

Module

J2591-69001 External JetDirect LAN interface module with ethertwist (10Base-T) and ThinLAN (10BASE-2) connectors

J2593-69001 External JetDirect LAN interface module with Ethertwist (10Base-T) and ThinLAN (10BASE-2) input connectors and 3 parallel (DB-25) output connectors - (part of J2593A)

J2594-69001 External JetDirect token ring interface module with DB-9 and RJ-45 input connectors and 3 parallel (DB-25) output connectors - (part of J2594A)
REQUIRES RETURN OF DEFECTIVE PART

J2594-61011 *New Part for J2594-69001*

Power Module

0950-3348 Wall mount power supply module (MEI-AH ED12006) - 110-127VAC input, 57-63Hz - 13VDC output, 800mA, 10.4 watts (for use in the United States and Canada) - For models J2590/91/93/94A, J2964A, J3258A/B, J3263/64/65A, J3282B, J4101A/B, J4102A/B

0950-3349 Wall mount power supply module (MEI-AH ED12007) - 230VAC input, 47-53Hz - 13VDC output, 800mA, 10.4 watts (for use in Europe and Israel) - For JetDirect/infrared interface models J2590/91/93/94A, J2964A, J3258A/B, J3263/64/65A, J3282B, J4101A/B, J4102A/B



Electronic Accessories

Power Module

| | |
|-----------|---|
| 0950-3350 | Wall mount power supply module (MEI-AH ED12008) - 220-240VAC input, 47-53Hz - 13VDC output, 800mA, 10.4 watts (for use in the United Kingdom) - For JetDirect/infrared interfaces J2590/91/93/94A, J2964A, J3258A/B, J3263/64/65A, J3282B, J4101A/B, J4102A/B |
| 0950-3351 | Wall mount power supply module (MEI-AH ED12009) - 220VAC input, 47-63Hz - 13VDC output, 800mA, 10.4 watts (for use in South Korea) - For JetDirect/infrared interface models J2590/91/93/94A, J2964A, J3258A/B, J3263/64/65A, J3282B, J4101A/B, J4102A/B |
| 0950-3352 | Wall mount power supply module (MEI-AH ED12010) - 100VAC input, 47-63Hz - 13VDC output, 800mA, 10.4 watts (for use in Japan) - For JetDirect/infrared interface models J2590/91/93/94A, J2964A, J3258A/B, J3263/64/65A, J3282B, J4101A/B, J4102A/B |
| 0950-3354 | Wall mount power supply module (MEI-AH ED12010) - 220-250VAC input, 47-53Hz - 13VDC output, 800mA, 10.4 watts (for use in South Africa) - For JetDirect/infrared interface models J2590/91/93/94A, J2964A, J3258A/B, J3263/64/65A, J3282B, J4101A/B, J4102A/B |
| 9100-5176 | Wall mount power supply module (Leader Electronics 48130625HK) - 200VAC input, 48-52Hz - 13VDC output, 625mA (Hong Kong) - For JetDirect Modules and Infrared Interface Models J2590/91/93/94A, J2964A, J3258A/B, J3263/64/65A, J3282B, J4101A/B, J4102A/B |
| 0950-3350 | <i>New Part for 9100-5176</i> |

Electronics/Power Supply

Front Panel

71 C4713-60091 Front panel assembly - Complete

Module

72 C4713-69203 Electronics module - Contains power supply, main logic board, interface connectors, and fan
REQUIRES RETURN OF DEFECTIVE PART

C4713-60203 *New Part for C4713-69203*

Power Cord

| | |
|-----------|---|
| 8120-1351 | Power cord (Mint Gray) - 17 AWG, 2.3m (7.5ft) long - Has straight (F) receptacle (For 240V in the UK, Hong Kong, Singapore, Malaysia, and Brunei) |
| 8120-1369 | Power cord (Mint Gray) - 17 AWG, 2.0m (6.6ft) long - Has straight (F) receptacle (For 240V in Australia, New Zealand, and China) |
| 8120-1689 | Power cord (Mint Gray) - 17 AWG, 2.0m (6.6ft) long - Has straight (F) receptacle (For 220V in Europe, Bangladesh, Indonesia, Pakistan, Burma, Sri Lanka, and Vietnam) |
| 8120-1751 | Power cord (Black) - 18 AWG, 2.3m (7.5ft) long - Has straight (F) receptacle (For 120V, 10A in the USA, Canada, Chile, Argentina, and Taiwan) |
| 8120-2104 | Power cord (Mint Gray) - 2.0m (6.6ft) long - Has straight (F) receptacle (For 220V in Switzerland) |
| 8120-2956 | Power cord (Mint Gray) - 2.0m (6.6ft) long - Has straight (F) receptacle (For 220V in Denmark) |
| 8120-4753 | Power cord (Flint Gray) - 18 AWG, 2.3m (7.5ft) long - Has straight (F) receptacle (For 100V in Japan) |

Other Accessories

CD-ROM (Support)

C7769-90066 DesignJet support CD-ROM - Version A.04.01 - Has product information, user's manuals, service manuals, diagnostic software, test drawings, newsletters, and service notes

Cartridge

| | |
|---------|---|
| 51640A | Black print cartridge (w/ level indicator) - Prints approx.1120 pages based on 5% density on a 8 inch by 10 inch print area (for USA) |
| 51640AA | Black print cartridge (with level indicator) - Prints approx.1120 pages based on 5% density on a 8 inch by 10 inch print area (for Asia/Pacific) |
| 51640AE | Black print cartridge (with level indicator) - Prints approx.1120 pages based on 5% density on a 8 inch by 10 inch print area (for Europe) |
| 51640AL | Black print cartridge (with level indicator) - Prints approx.1120 pages based on 5% density on a 8 inch by 10 inch print area (for Latin America) |
| 51644C | Cyan (Blue) ink cartridge (for USA) |
| 51644CA | Cyan (Blue) ink cartridge (for Asia/Pacific) |



Other Accessories

Cartridge

| | |
|---------|---|
| 51644CE | Cyan (Blue) ink cartridge (for Europe) |
| 51644CL | Cyan (Blue) ink cartridge (for Latin America) |
| 51644M | Magenta (Red) ink cartridge (for USA) |
| 51644MA | Magenta (Red) ink cartridge (for Asia/Pacific) |
| 51644ME | Magenta (Red) ink cartridge (for Europe) |
| 51644ML | Magenta (Red) ink cartridge (for Latin America) |
| 51644Y | Yellow ink cartridge (for USA) |
| 51644YA | Yellow ink cartridge (for Asia/Pacific) |
| 51644YE | Yellow ink cartridge (for Europe) |
| 51644YL | Yellow ink cartridge (for Latin America) |

Cleaning Supplies

| | |
|--------|--|
| C6247A | DesignJet cleaning kit - Includes cleaning solution and 20 cleaning rags |
|--------|--|

Lubricant

| | |
|-------------|--|
| 6040-0858 | Special lubricating oil - For carriage slider rod surface - 4oz (113g) plastic bottle of synthetic oil |
| C3190-60155 | Grease - For helical gear (Drive roller gear) |

Manual

| | |
|-----------|---|
| 5959-9733 | HP-GL/2 & HP RTL reference guide - Programming information, handbook for developers |
| 5959-9734 | Comparison guide for HP-GL/2 and RTL peripherals (English) |

Manual Kit

| | |
|-------------|--|
| 5021-0377 | HP-GL/2, PCL5 and P JL technical reference manual kit |
| C4713-60041 | Manual kit - Includes quick reference guide, user guide and unpacking/assembly instructions (English) |
| C4713-60045 | Manual kit - Includes quick reference guide, user guide and unpacking/assembly instructions (French) |
| C4713-60046 | Manual kit - Includes quick reference guide, user guide and unpacking/assembly instructions (Spanish) |
| C4713-60048 | Manual kit - Includes quick reference guide, user guide and unpacking/assembly instructions (Japanese) |
| C4713-60049 | Manual kit - Includes quick reference guide, user guide and unpacking/assembly instructions (Portuguese) |
| C4713-60187 | Manual kit - Includes quick reference guide, user guide and unpacking/assembly instructions (Italian) |
| C6082-60002 | Manual kit - Includes quick reference guide, user guide and unpacking/assembly instructions (Korean) |
| C6082-60003 | Manual kit - Includes quick reference guide, user guide and unpacking/assembly instructions (Taiwan) |
| C6082-60010 | Manual kit - Includes quick reference guide, user guide and unpacking/assembly instructions (Simplified Chinese) |

Return Kit

| | |
|-----------|---|
| 5183-5268 | Return kit with box and instructions - For returning defective Thermal InkJet (TIJ) 2.5 InkJet cartridges covered under the CREW program - For USA |
| 5184-2833 | Return kit with box and instructions - For returning defective Thermal InkJet (TIJ) 2.5 InkJet cartridges covered under the CREW program - For use outside of the USA |

Software

| | |
|-------------|--|
| C4713-10041 | DesignJet 430/450C/455CA Toolbox for Windows 95 (English) - On 3.5-inch floppy disk |
| C6072-60281 | Toolbox and driver software - HP-GL/2 and RTL drivers for Windows 3.1/95/98/NT 4.0 (all DesignJets), and toolbox software for Windows 95/NT 4.0 (Only for DesignJet 430/450C/455CA/1050C/1055CM) - On 3.5-inch 1.44MB floppy disks (English) |
| C6072-60284 | Toolbox and driver software - HP-GL/2 and RTL drivers for Windows 3.1/95/98/NT 4.0 (all DesignJets), and toolbox software for Windows 95/NT 4.0 (Only for DesignJet 430/450C/455CA/1050C/1055CM) - On 3.5-inch 1.44MB floppy disks (German) |
| C6072-60285 | Toolbox and driver software - HP-GL/2 and RTL drivers for Windows 3.1/95/98/NT 4.0 (all DesignJets), and toolbox software for Windows 95/NT 4.0 (Only for DesignJet 430/450C/455CA/1050C/1055CM) - On 3.5-inch 1.44MB floppy disks (French) |
| C6072-60286 | Toolbox and driver software - HP-GL/2 and RTL drivers for Windows 3.1/95/98/NT 4.0 (all DesignJets), and toolbox software for Windows 95/NT 4.0 (Only for DesignJet 430/450C/455CA/1050C/1055CM) - On 3.5-inch 1.44MB floppy disks (Spanish) |



Other Accessories

Software

| | |
|-------------|--|
| C6072-60287 | Toolbox and driver software - HP-GL/2 and RTL drivers for Windows 3.1/95/98/NT 4.0 (all DesignJets), and toolbox software for Windows 95/NT 4.0 (Only for DesignJet 430/450C/455CA/1050C/1055CM) - On 3.5-inch 1.44MB floppy disks (Italian) |
| C6072-60301 | HP-GL/2 driver software for AutoCAD - For DOS and Windows 3.1/95/NT 4.0 - On 3.5-inch 1.44MB floppy disks (English) |
| C6072-60304 | HP-GL/2 driver software for AutoCAD - For DOS and Windows 3.1/95/NT 4.0 - On 3.5-inch 1.44MB floppy disks (German) |
| C6072-60305 | HP-GL/2 driver software for AutoCAD - For DOS and Windows 3.1/95/NT 4.0 - On 3.5-inch 1.44MB floppy disks (French) |
| C6072-60306 | HP-GL/2 driver software for AutoCAD - For DOS and Windows 3.1/95/NT 4.0 - On 3.5-inch 1.44MB floppy disks (Spanish) |
| C6072-60307 | HP-GL/2 driver software for AutoCAD - For DOS and Windows 3.1/95/NT 4.0 - On 3.5-inch 1.44MB floppy disks (Italian) |

Training Kit

| | |
|-------------|--|
| C4713-60118 | Self-paced training kit for DesignJet 430/450C/455CA/488CA - Includes video in PAL format, and CD-ROM containing user's and service manuals |
| C4713-60119 | Self-paced training kit for DesignJet 430/450C/455CA/488CA - Includes video in NTSC format, and CD-ROM containing user's and service manuals |

Other External Parts

Clip

| | |
|-------------|------------|
| C4699-60072 | Cable clip |
|-------------|------------|

Cover

| | | |
|-----|-------------|------------------------------|
| 128 | C4713-00011 | SIMM cover plate |
| 129 | C4713-40029 | Left end cover |
| 130 | C4713-60030 | Right end cover |
| 131 | C4714-60014 | Top cover assembly (E-size) |
| 132 | C4714-60097 | Back cover assembly (E-size) |

Deflector

| | | |
|-----|-------------|---|
| 133 | C4713-60117 | Media deflector with media button - The media deflector furthest to the right side - Includes media load button |
|-----|-------------|---|

Guide

| | | |
|-----|-------------|--|
| 134 | C4713-60184 | Rollfeed guide kit - Left and right guides mounted under printer - Used to attach rollfeed housings to the printer |
|-----|-------------|--|

Holder

| | |
|-------------|------------------------------------|
| C3190-40052 | Holder - For quick reference guide |
|-------------|------------------------------------|

Keycap

| | | |
|-----|-------------|----------------------------|
| 136 | C4713-40046 | Power switch button keycap |
|-----|-------------|----------------------------|

Label

| | |
|-------------|---------------------|
| 5961-3524 | Serial number label |
| C4705-00017 | Instruction label |

Nameplate/Logo

| | |
|-------------|----------------------------|
| C4715-00013 | Nameplate - DesignJet 450C |
|-------------|----------------------------|

Overlay

| | |
|-------------|--|
| C4713-60171 | Front panel overlay (Self adhesive) - Shows the function of the front panel buttons and indicator lights (English) |
| C4713-60172 | Front panel overlay (Self adhesive) - Shows the function of the front panel buttons and indicator lights (Korean) |
| C4713-60173 | Front panel overlay (Self adhesive) - Shows the function of the front panel buttons and indicator lights (Taiwanese) |
| C4713-60174 | Front panel overlay (Self adhesive) - Shows the function of the front panel buttons and indicator lights (German) |
| C4713-60175 | Front panel overlay (Self adhesive) - Shows the function of the front panel buttons and indicator lights (French) |
| C4713-60176 | Front panel overlay (Self adhesive) - Shows the function of the front panel buttons and indicator lights (Spanish) |



Other External Parts

Overlay

- C4713-60177 Front panel overlay (Self adhesive) - Shows the function of the front panel buttons and indicator lights (Italian)
- C4713-60178 Front panel overlay (Self adhesive) - Shows the function of the front panel buttons and indicator lights (Japanese)
- C4713-60179 Front panel overlay (Self adhesive) - Shows the function of the front panel buttons and indicator lights (Portuguese)
- C4713-60180 Front panel overlay (Self adhesive) - Shows the function of the front panel buttons and indicator lights (Chinese)

Platen

- 150 C4714-60114 Entry Platen Assembly (E-size) - Curved cover/guide that is next to the paper drive (Platen) roller

Other Internal Parts

Cutter

- 151 C4713-60040 Cutter assembly - Mounts on carriage slide rod to the right of the carriage

Primer

- 152 C4713-60023 Primer assembly - Mounted on left side of plotter

Service Station

- 153 C3190-60142 Service station assembly

Spittoon

- 154 C4713-60017 Spittoon assembly - Contains absorbers which hold excess ink from cartridges

Trim

- 155 C4713-40022 Right trim assembly - At right of entry platen
- 156 C4713-40023 Left trim assembly - At left of entry platen

Paper Drive Parts

Cable

- 216 C3180-60012 Ribbon cable - Has 5 pin (F) connectors - 16.3cm (6.4 inches) long

Lubricant

- 217 C3190-60155 Grease - For helical gear (Drive roller gear)

Motor/Gear

- 218 C4713-60094 Paper (X-axis) drive motor (Includes helical drive gear) - NOTE: motor and gear are only sold as an assembly

Roller

- 219 C4700-60042 Paper drive (Platen) roller assembly - Long gear driven roller - Includes roller and mark encoder

Paper and Other Media

Film (Clear)

- C3876A Clear film (4 mil) - 61cm (24in) x 22.9m (75ft) roll
- C3875A Clear film (4 mil) - 91.4cm (36in) x 22.9m (75ft) roll

Film (Glossy)

- C1829A High-gloss white film - A1 size (59.4cm x 84.1cm) - 125 sheets
NO LONGER SUPPLIED
- C1827A High-gloss white film - Architectural D size (24 x 36-inches) - 100 sheets
NO LONGER SUPPLIED
- C3886A High gloss white film (4 mil) - 61cm (24in) x 30.5m (100ft) roll
- C1828A High-gloss white film - A0 size (84.1cm x 118.9cm) - 125 sheets
NO LONGER SUPPLIED
- C1826A High-gloss white film - Architectural E size (36 x 48-inches) - 100 sheets
NO LONGER SUPPLIED
- C3885A *New Part for C1826A*
- C3885A High gloss white film (4 mil) - 91.4cm (36in) x 30.5m (100ft) roll



Paper and Other Media

Film (Matte)

| | |
|--------|--|
| 51642C | Polyester matte film - B size (11 x 17-inches) - 40 sheets NO LONGER SUPPLIED |
| 51642A | <i>New Part for 51642C</i> |
| 51642F | Polyester matte film - A3 size (29.7cm x 42.0cm) - 40 sheets NO LONGER SUPPLIED |
| 51642G | Polyester matte film - D size (22 x 34-inches) - 40 sheets NO LONGER SUPPLIED |
| 51642A | <i>New Part for 51642G</i> |
| 51642H | Polyester matte film - A1 size (59.4cm x 84.1cm) - 40 sheets NO LONGER SUPPLIED |
| 51642A | Polyester matte film - 61cm (24in) x 36.6m (120ft) roll |
| 51642J | Polyester matte film - Architectural D size (24 x 36-inches) - 40 sheets NO LONGER SUPPLIED |
| 51642A | <i>New Part for 51642J</i> |
| 51642M | Polyester matte film - A0 size (84.1cm x 118.9cm) - 40 sheets NO LONGER SUPPLIED |
| 51642K | Polyester matte film - E size (34 x 44-inches) - 40 sheets NO LONGER SUPPLIED |
| 51642B | Polyester matte film - 91.4cm (36in) x 36.6m (120ft) roll |
| 51642N | Polyester matte film - Architectural E size (36 x 48-inches) - 40 sheets NO LONGER SUPPLIED |

Paper (Bright White)

| | |
|--------|--|
| C6810A | Bright white InkJet paper - 91.4cm (36in) x 91.4m (300ft) roll |
| C1860A | Bright white InkJet paper - 61cm (24in) x 45.7m (150ft) roll |
| C6035A | Bright white InkJet paper - 61cm (24in) x 45.7m (150ft) roll |
| C1861A | Bright white InkJet paper - 91.4cm (36in) x 45.7m (150ft) roll |
| C6036A | Bright white InkJet paper - 91.4cm (36in) x 45.7m (150ft) roll |

Paper (Coated)

| | |
|--------|---|
| C8281A | Basic Coated Paper - 61cm (24in) x 45.7m (150ft) (USA and Asia/Pacific) |
| C8282A | Basic Coated Paper - 91.4cm (36in) x 45.7m (150ft) roll (USA and Asia/Pacific) |
| C1831A | Coated paper - D size (22 x 34-inches) - 100 sheets NO LONGER SUPPLIED |
| C1835A | Coated paper - A1 size (59.4cm x 84.1cm) - 125 sheets NO LONGER SUPPLIED |
| C1833A | Coated paper - Architectural D size (24 x 36-inches) - 100 sheets NO LONGER SUPPLIED |
| C3880A | Heavyweight coated paper (6 mil) - 61cm (24in) x 30.5m (100ft) roll NO LONGER SUPPLIED |
| C6019B | Coated paper (98 gsm) - 61cm (24in) x 45.7m (150ft) roll (USA, Canada, and Latin America) |
| C6021B | Heavyweight coated paper - 61cm (24in) x 30.5m (100ft) roll (USA, Canada, and Latin America) NO LONGER SUPPLIED |
| C6029B | Heavyweight coated paper - 61cm (24in) x 30.5m (100ft) roll (Europe, Asia/Pacific, and Japan) NO LONGER SUPPLIED |
| C6029C | Heavyweight coated paper - 61cm (24in) x 30.5m (100ft) roll - For regular or UV resistant ink |
| C1834A | Coated paper - A0 size (84.1cm x 118.9cm) - 125 sheets NO LONGER SUPPLIED |
| C1830A | Coated paper - E size (34 x 44-inches) - 100 sheets NO LONGER SUPPLIED |
| C1832A | Coated paper - Architectural E size (36 x 48-inches) - 100 sheets NO LONGER SUPPLIED |



Paper and Other Media

Paper (Coated)

| | |
|--------|---|
| C3879A | Heavyweight coated paper (6 mil) - 91.4cm (36in) x 30.5m (100ft) roll NO LONGER SUPPLIED |
| C6020B | Coated paper (98 gsm) - 91.4cm (36in) x 45.7m (150ft) roll (USA, Canada, and Latin America) |
| C6022B | Heavyweight coated paper - 91.4cm (36in) x 30.5m (100ft) roll (USA, Canada, and Latin America) NO LONGER SUPPLIED |
| C6030B | Heavyweight coated paper - 91.4cm (36in) x 30.5m (100ft) roll (Europe, Asia/Pacific, and Japan) NO LONGER SUPPLIED |
| C6030C | Heavyweight coated paper - 91.4cm (36in) x 30.5m (100ft) roll - For regular or UV resistant ink |

Paper (Glossy)

| | |
|--------|---|
| C3882A | High gloss photo paper - 61cm (24in) x 30.5m (100ft) roll |
| C3881A | High gloss photo paper - 91.4cm (36in) x 30.5m (100ft) roll |

Paper (Tracing)

| | |
|--------|--|
| C3869A | Natural tracing paper - 61cm (24in) x 45.7m (150ft) roll |
| C3868A | Natural tracing paper - 91.4cm (36in) x 45.7m (150ft) roll |

Paper (Translucent)

| | |
|--------|---|
| C3891A | Translucent bond paper - D size (22 x 34-inches) - 100 sheets NO LONGER SUPPLIED |
| C3893A | Translucent bond paper - A1 size (59.4cm x 84.1cm) - 125 sheets NO LONGER SUPPLIED |
| C3860A | Translucent bond paper - 61cm (24in) x 45.7m (150ft) roll |
| C3896A | Translucent bond paper - Architectural D size (24 x 36-inches) - 100 sheets NO LONGER SUPPLIED |
| C3892A | Translucent bond paper - A0 size (84.1cm x 118.9cm) - 125 sheets NO LONGER SUPPLIED |
| C3890A | Translucent bond paper - E size (34 x 44-inches) - 100 sheets NO LONGER SUPPLIED |
| C3859A | Translucent bond paper - 91.4cm (36in) x 45.7m (150ft) roll |
| C3894A | Translucent bond paper - Architectural E size (36 x 48-inches) - 100 sheets NO LONGER SUPPLIED |

Vellum

| | |
|--------|--|
| C3864A | Vellum (75 gsm) - D size (22 x 34-inches), 20 lb, 3.0 mil - 100 sheets NO LONGER SUPPLIED |
| C3862A | Vellum - 61cm (24in) x 45.7m (150ft) roll |
| C3866A | Vellum (75 gsm) - Architectural D size (24 x 36-inches), 20 lb, 3.0 mil - 100 sheets NO LONGER SUPPLIED |
| C3862A | <i>New Part for C3866A</i> |
| C3863A | Vellum (75 gsm) - E size (34 x 44-inches) 20 lb, 3.0 mil - 100 sheets NO LONGER SUPPLIED |
| C3861A | Vellum - 91.4cm (36in) x 45.7m (150ft) roll |
| C3865A | Vellum (75 gsm) - Architectural E size (36 x 48-inches), 20 lb, 3.0 mil - 100 sheets NO LONGER SUPPLIED |

Pincharm Assembly Parts

Bushing

| | | |
|-----|-------------|-----------------------------------|
| 220 | C1633-40082 | Pincharm spring retaining bushing |
|-----|-------------|-----------------------------------|

Cam

| | | |
|-----|-------------|--|
| 221 | C1633-20012 | Pinch arm bar cam (E-size) - Long rod from left to right side of printer - Used to lift the pinch arms |
| 222 | C3190-60149 | Left cam journal - Mounted on left end of pincharm shaft |



Pincharm Assembly Parts

Handle

223 C4713-40025 Pinchwheel manual lift handle - Paper loading lever

Lever Assembly

224 C4713-60116 Right cam journal assembly - 2 levers and a metal rod

Pincharm

225 C4699-60081 Pincharm assembly - Curved black plastic plate with 4 small rubber rollers (Does NOT include spring or bushing)

Sensor

226 C4713-60034 Pincharm sensor assembly

Spring

227 C1633-80005 Compression spring between pincharm assembly and bushing

228 C4713-80003 Pincharm spring

Roll Feed Assembly Parts

End Cap

C3174-40011 Spindle end cap (2in)

Extension

230 C4713-60038 Media extension kit - Includes 3 extensions

Guide

231 C4713-60184 Rollfeed guide kit - Left and right guides mounted under printer - Used to attach rollfeed housings to the printer

Hub

C4713-60120 Spindle hub kit, small size - Includes 2 small hubs and install guide - (China)

Rollfeed Kit

233 C4719A E/A0 rollfeed kit - Includes left and right housing, hubs, spindle, end caps, screwdriver, and screws

Spindle

234 C4719-60005 E/A0 rollfeed spindle rod assembly - Includes spindle, hubs, and end caps

Spindle Kit

C6239A E/A0 rollfeed spindle rod assembly for DesignJet 4xx Series - Includes spindle, hubs, and end caps

Stand Parts

Bin

236 C4704-60073 Media bin arm (Loop assembly)

C4713-60147 *New Part for C4704-60073*

Cross-Brace

237 C4704-60077 Cross-brace (E-size) - Main structure that extends between stand legs

Foot

238 C4704-60086 Foot assembly (includes casters)

Hardware Kit

239 C4704-60095 Hardware kit for printer stand - Includes screwdriver, screws, washers, and media bin retaining clips

Leg

240 C4704-60075 Leg assembly - Side support for the plotter - Does NOT include the foot assembly

Stand

C6070A HP DesignJet Stand (D/A1) - Includes legs, casters, brace, wire form paper deflector, and media bin - For E/A0 size DesignJets

Strip

242 C4704-40070 Capping strips (E-size) - Two strips that snap together on the ends of the bin arms



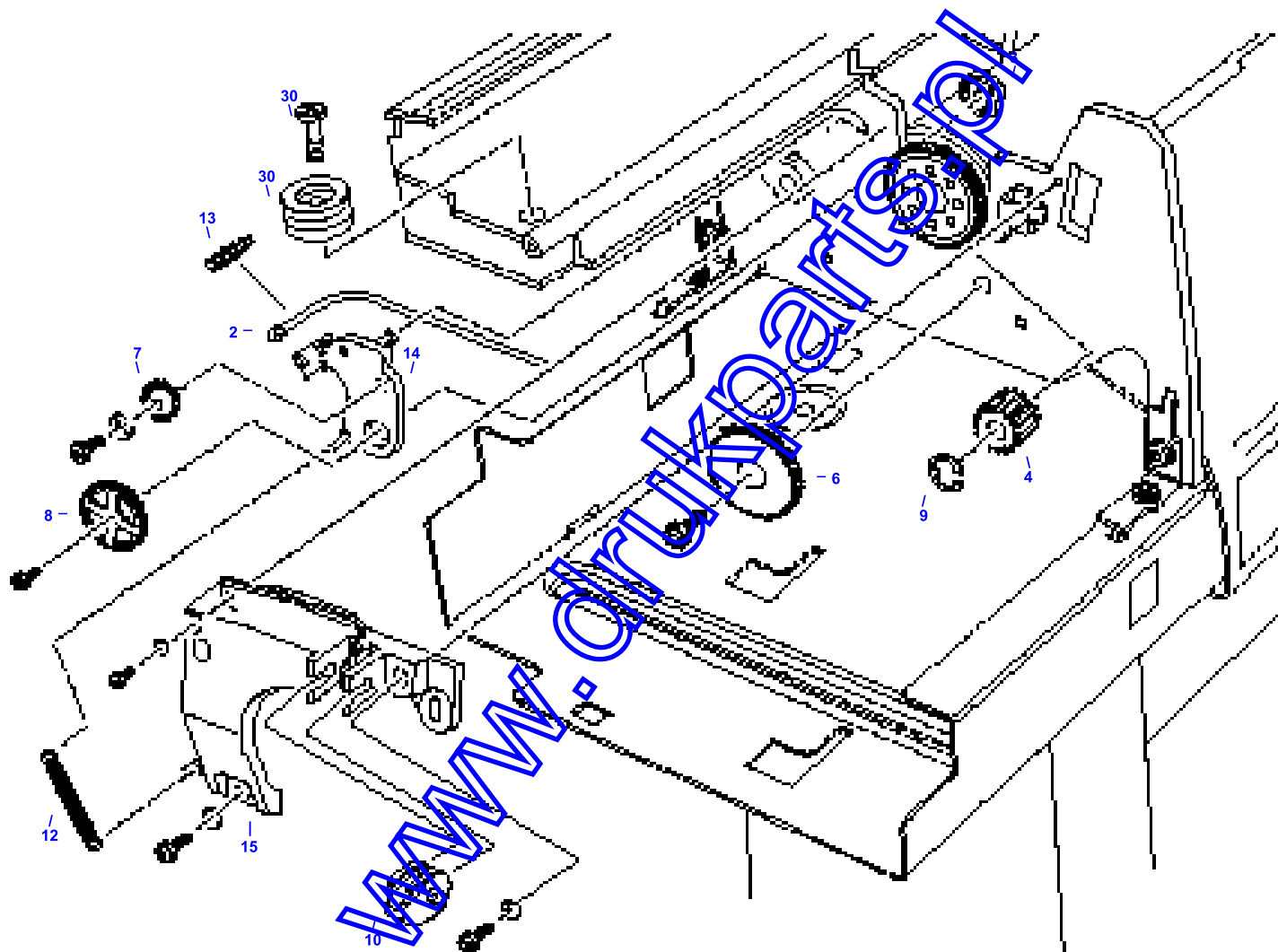
Stand Parts

Support

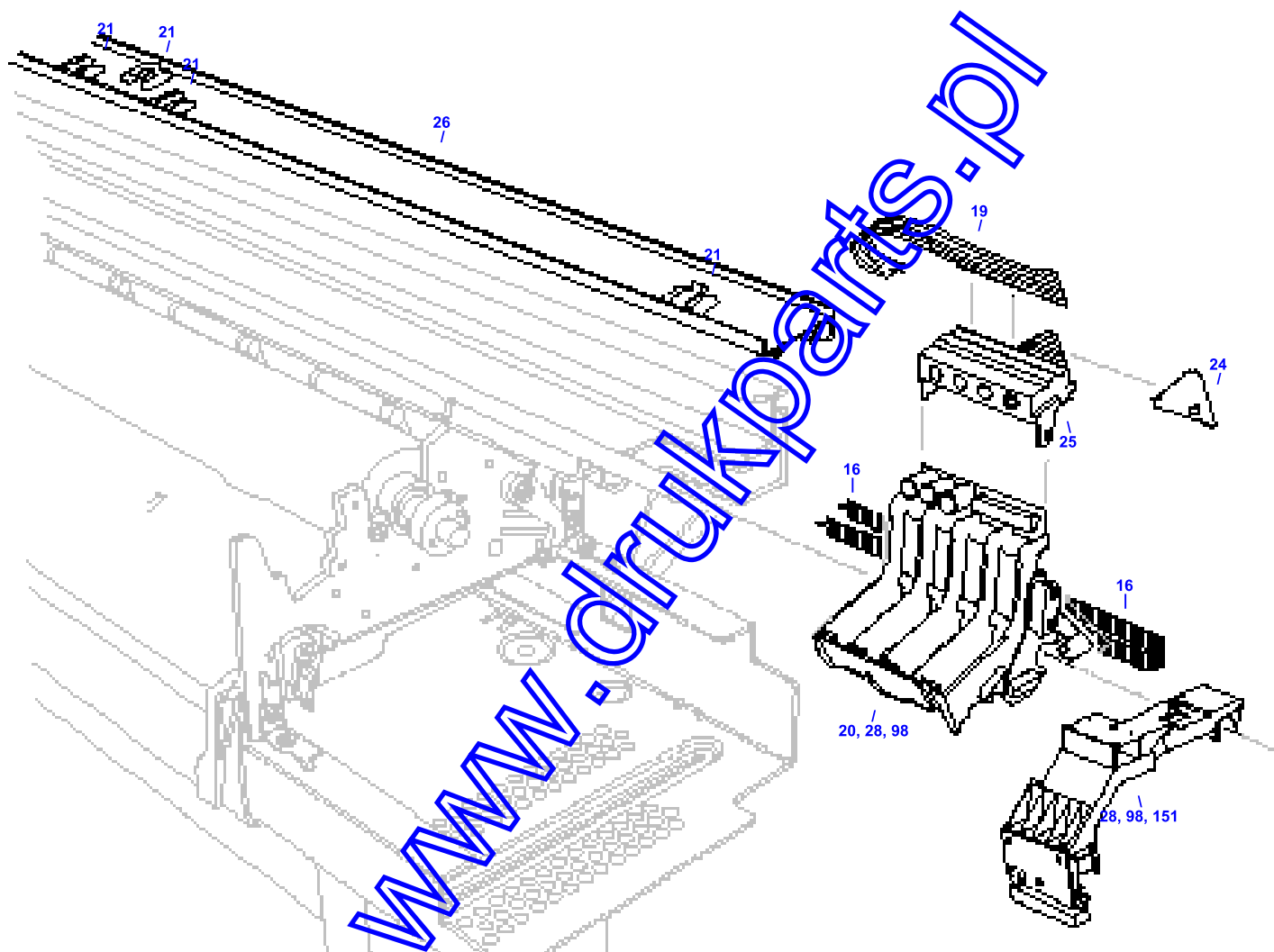
243 C4714-60147 Media bin support (E-size) - Supports media bin arms

www.drukparts.pl

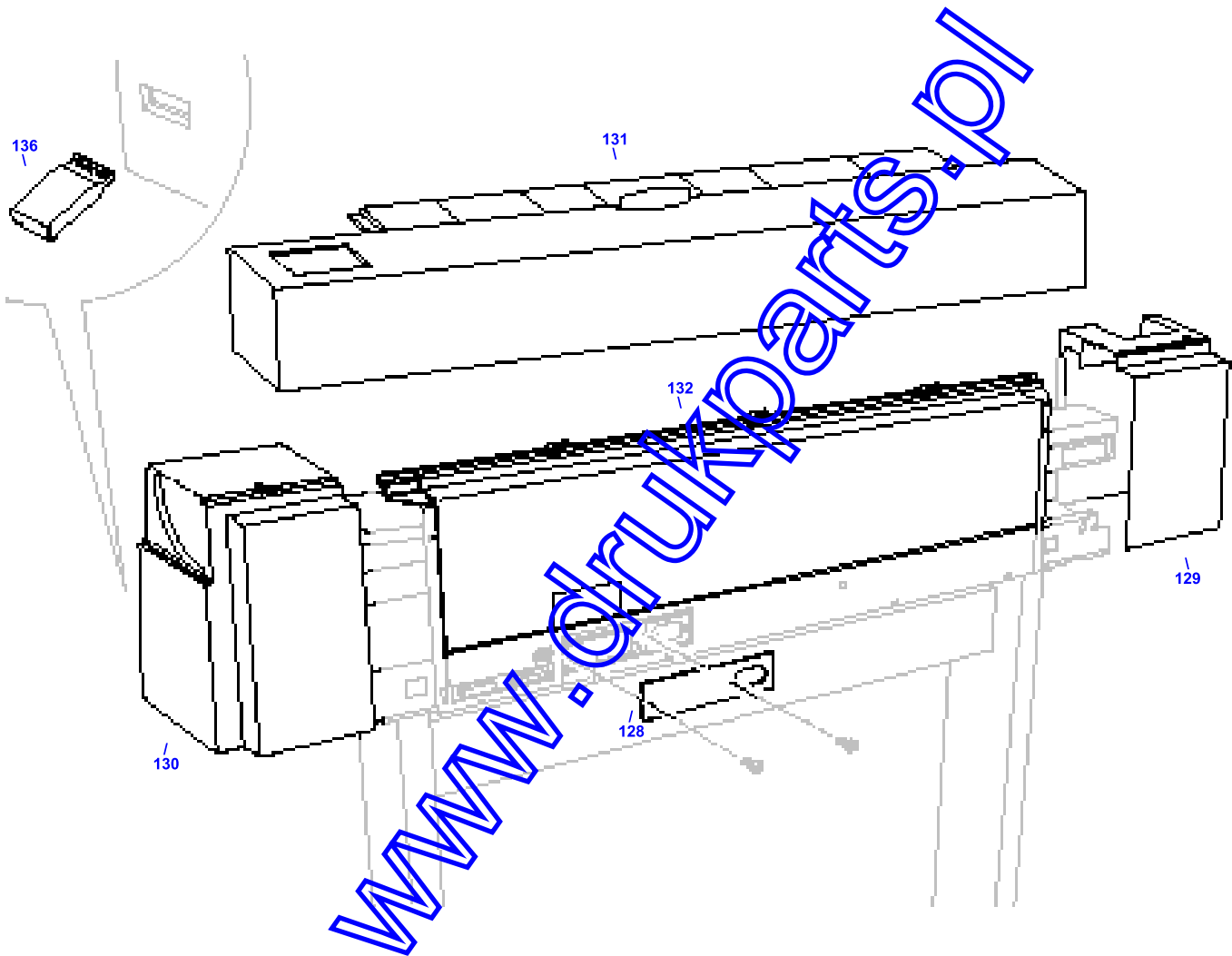
Bail Mechanism, Overdrive Mechanism



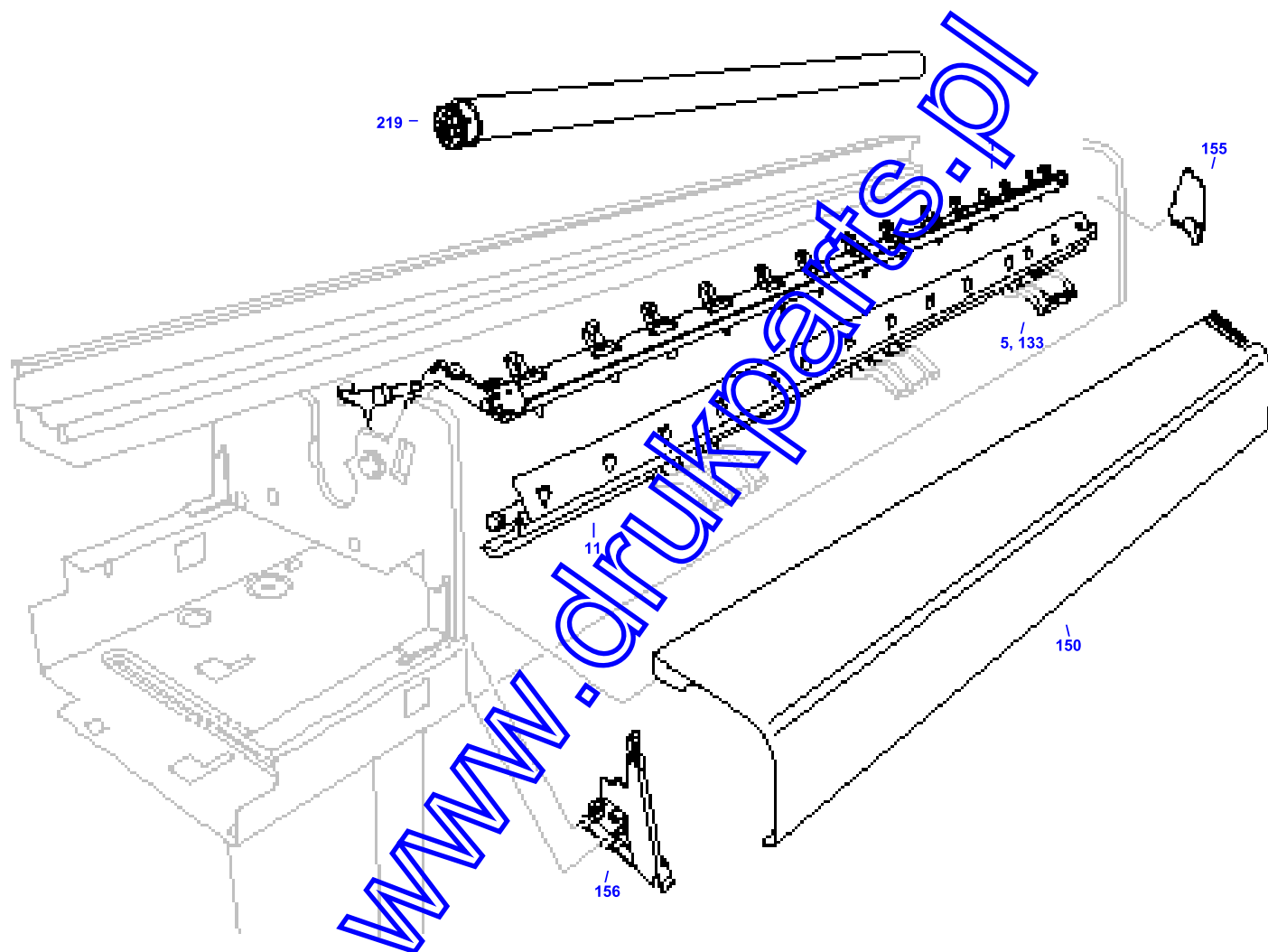
Carriage Assembly, Cutter Assembly, Trailing Cable



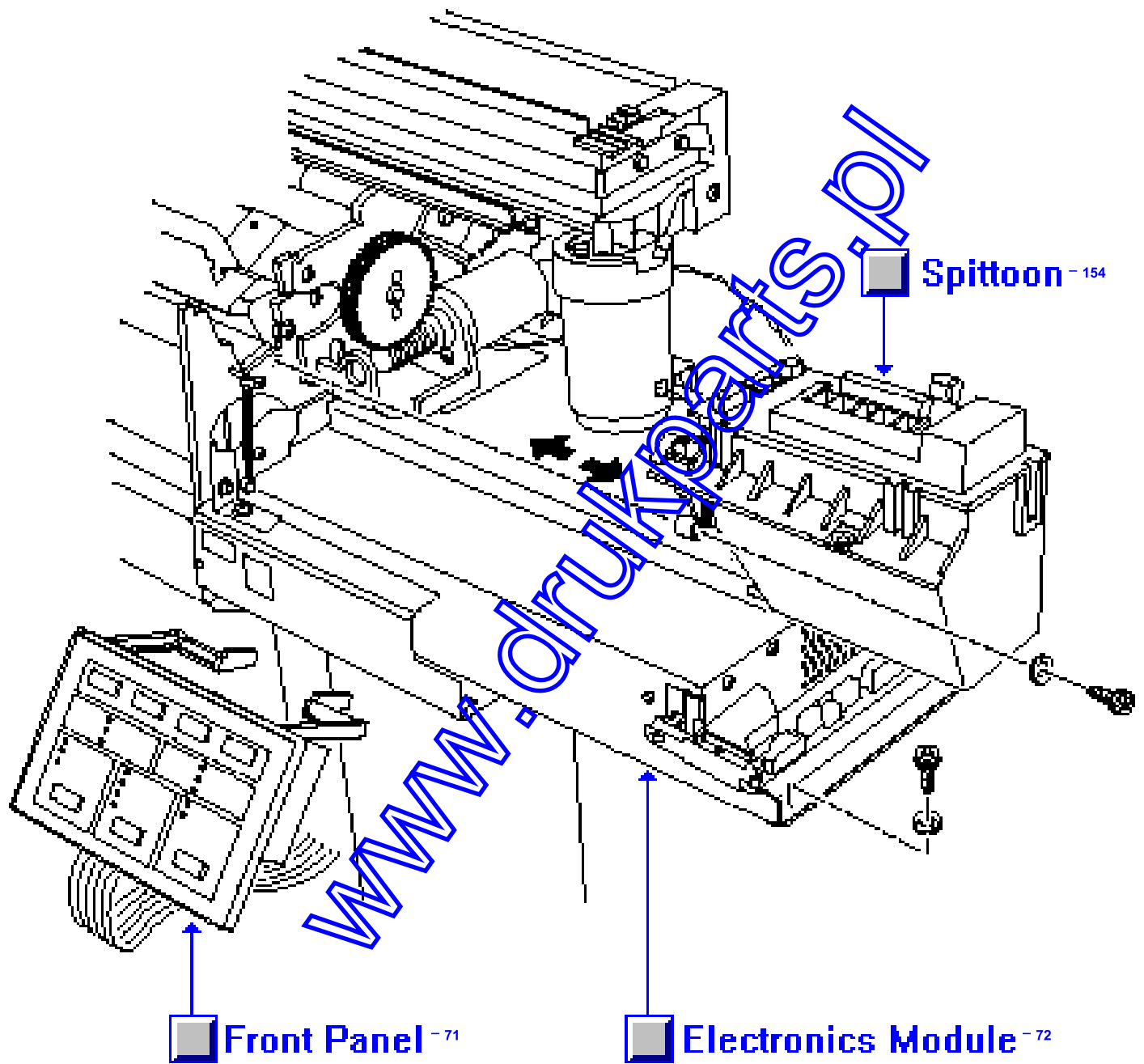
Covers



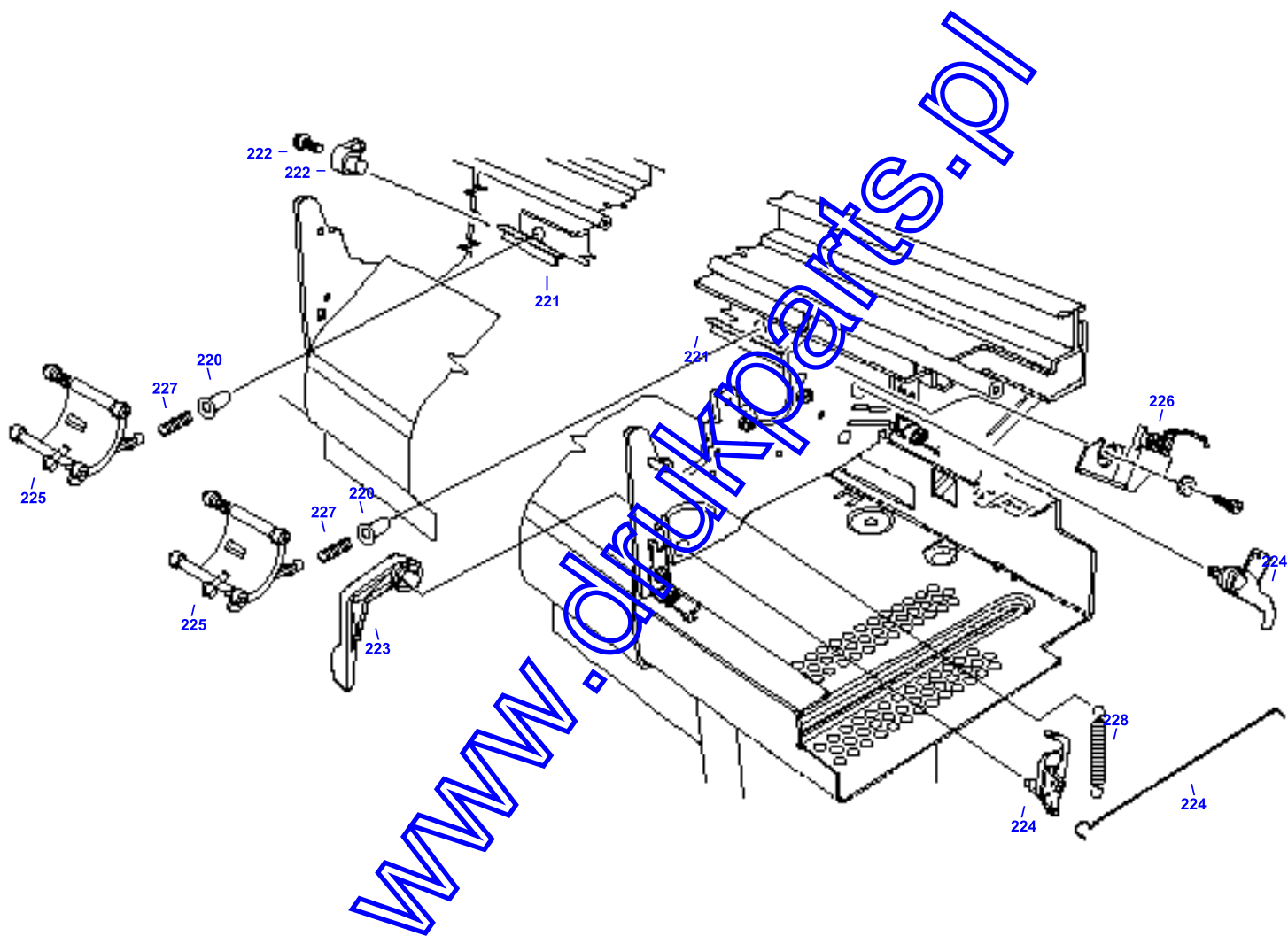
Entry Platen, Drive Roller, Bail Assy, Overdrive Assy



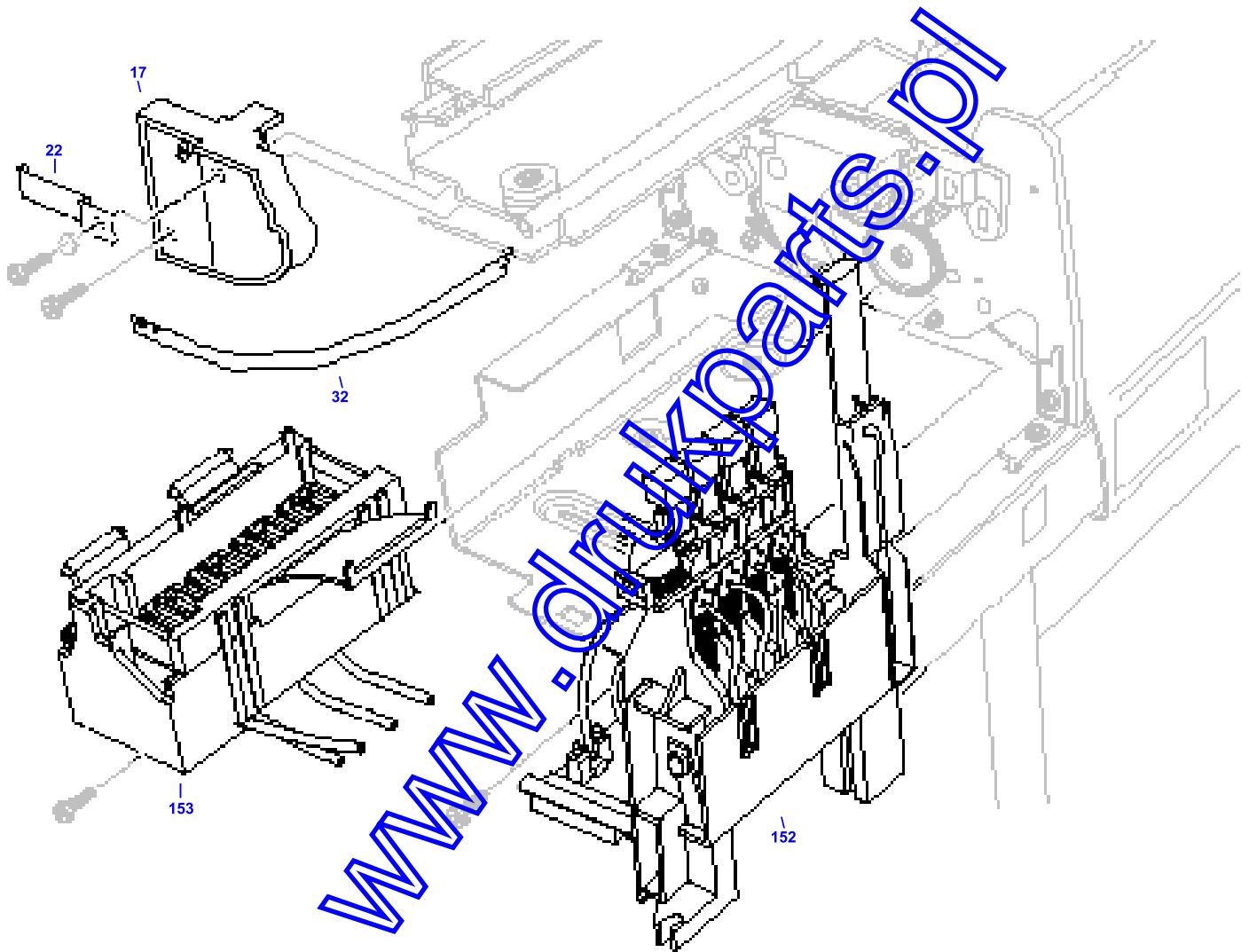
Front Panel, Electronics Module, Spittoon



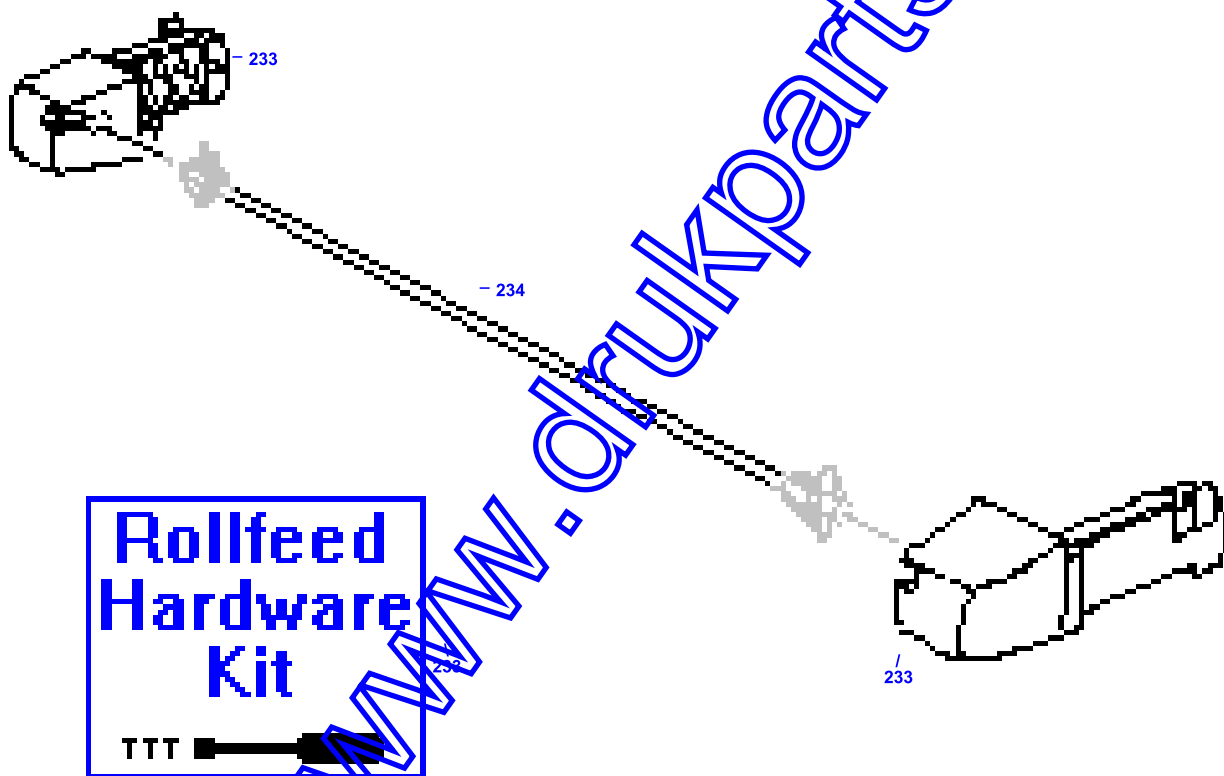
Pincharm Assembly



Primer Assembly, Service Station Assembly

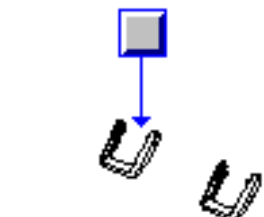


Rollfeed Assembly

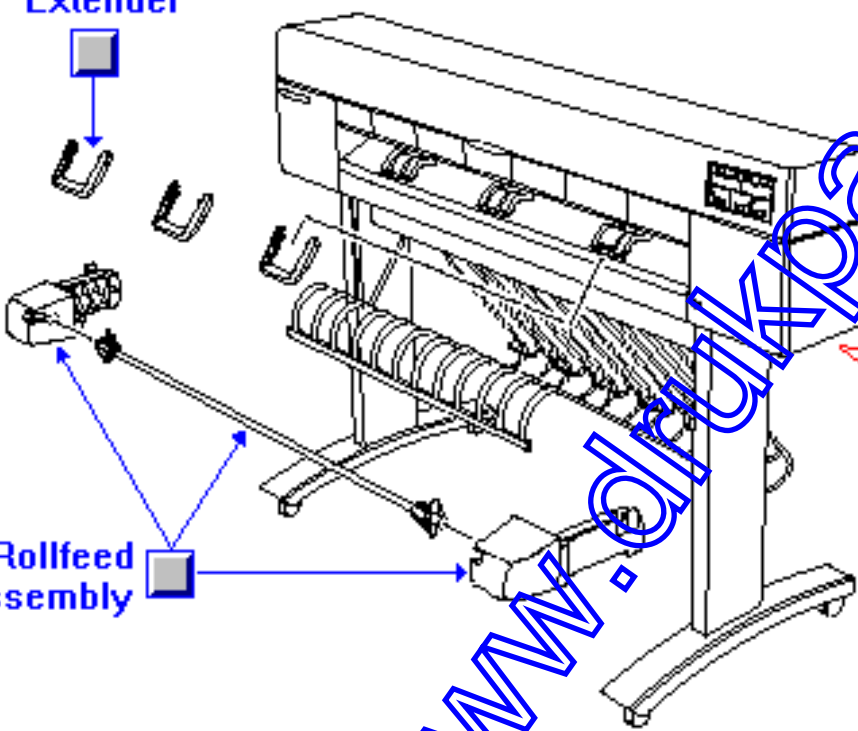


Rollfeed Assembly and Media Extenders

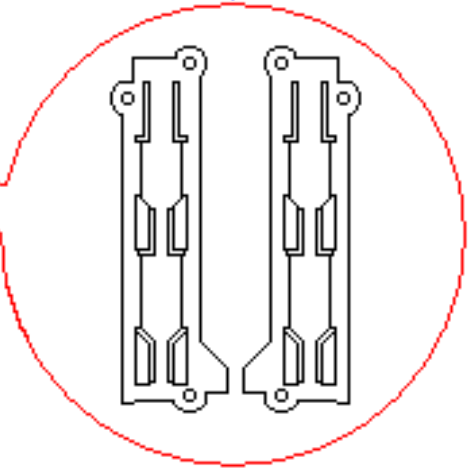
230 - Extender



Rollfeed Assembly

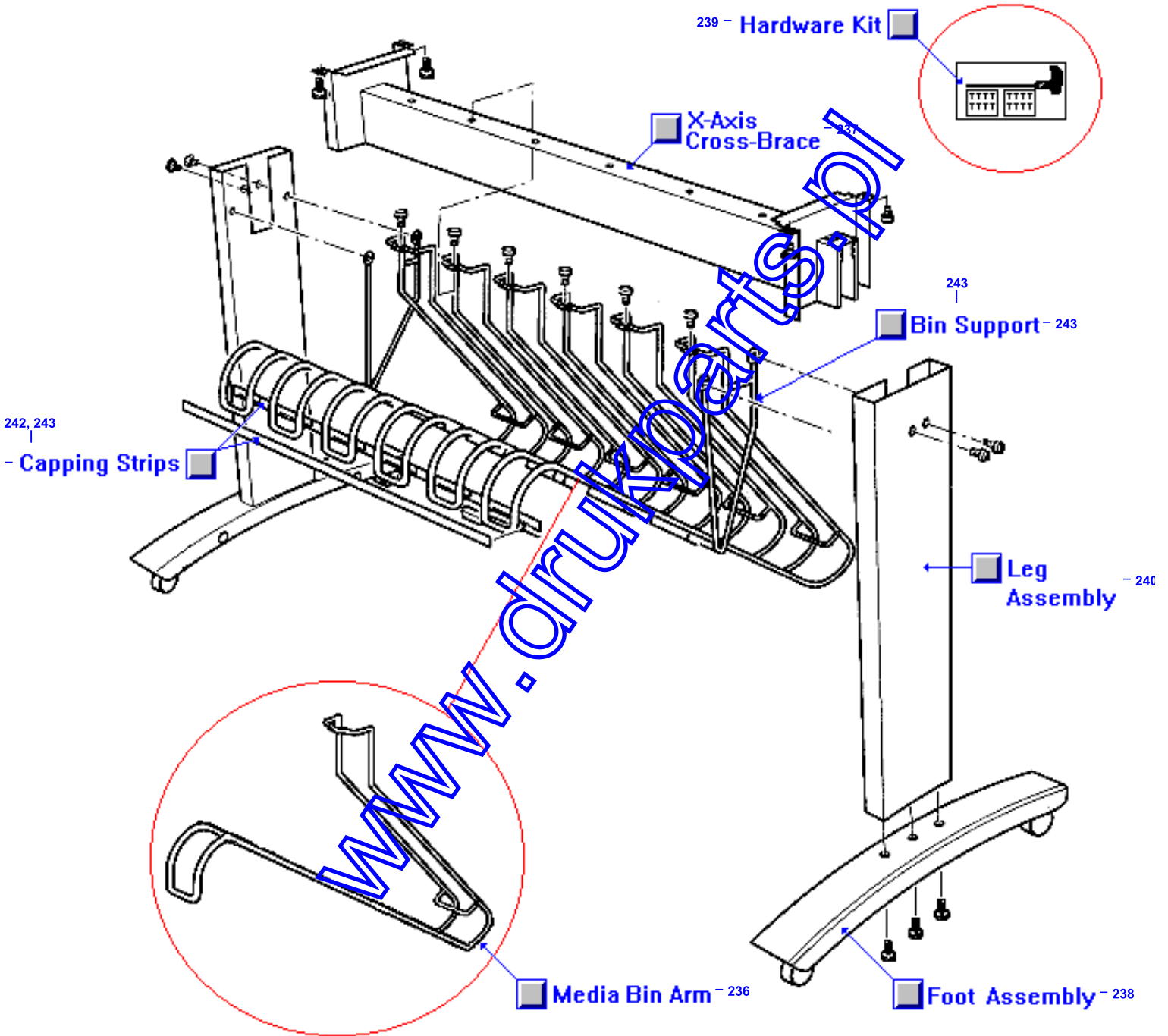


184, 231 - Rollfeed Guide

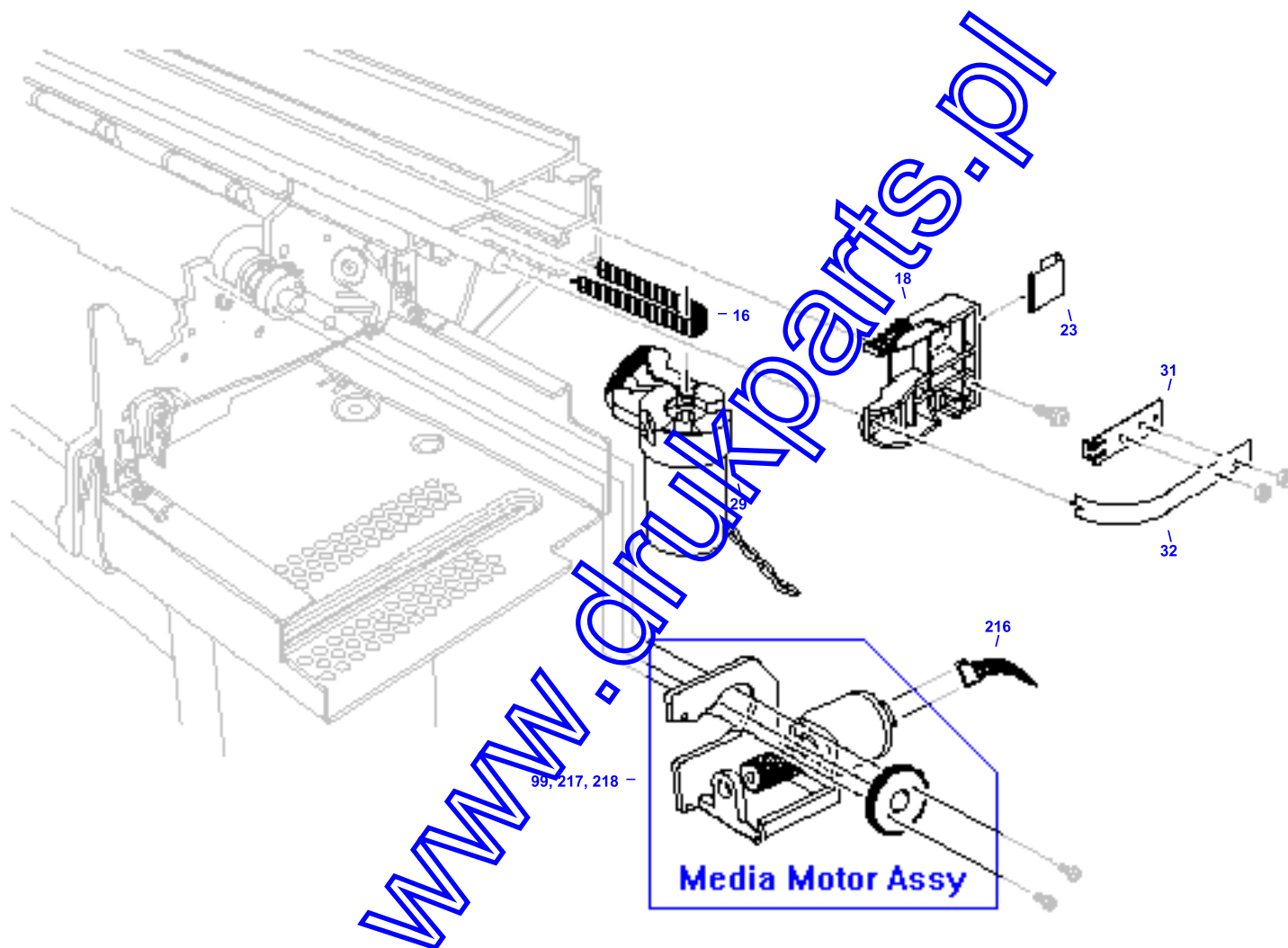


www.drukparts.pl

Stand Assembly



X and Y Axis Motors, Encoder Strip





HP Parts Reference Guide

<http://www.hp.com/go/parts>

HP PartSurfer

<http://partsurfer.hp.com>

HP Parts Ordering Information

<http://www.hp.com/go/hpparts>

HP Parts Questions/Comments

<http://partsurfer.hp.com/contactus.htm>

www.drukparts.pl