



## Bail and Overdrive Parts

### Bail

1 C4714-60093 Bail assembly (E-size) - Has star wheel assemblies attached

### Cable

2 C4713-60182 Bail link (Cable) - Flexible stranded wire cable - 12.5cm (4.9 inches) long

### Cam

3 C3190-40020 Bail lift cam - Mounted behind the bail engaging lever support

### Clutch

4 C4713-60129 Overdrive clutch assembly

### Deflector

5 C4713-60117 Media deflector with media button - The media deflector furthest to the right side. Includes media load button

### Gear

6 C1633-40019 Overdrive gear cluster

7 C1633-40027 Bail engaging lever gear

8 C3190-40019 Bail lift cam gear

### Hardware

9 0510-0083 Retaining E-ring - 0.250-in diameter, steel zinc-dichromate dip

### Lever

10 C3190-40022 Bail engaging lever - Small item that holds one end of bail cable - Snaps into bail engaging lever support

### Roller

11 C4714-60115 Overdrive roller assembly (E-size) - Includes overdrive shaft with rollers, overdrive housing, 2 media deflectors without media button, and media deflector with media button

### Spring

12 07575-80012 Bail gear support 'claw' spring - Attached between the bail engaging lever support and the bail gear assembly

13 C3190-80013 Bail cable spring

### Support

14 C3190-40021 Bail gear support - The mount for the bail lift cam gear and the bail lift engaging gear (Part of the bail gear assembly)

15 C4713-40016 Bail engaging lever support - Mounted over the left end of the drive roller - Bail engaging lever snaps into this item

## Carriage Drive Parts

### Belt

16 C4706-60082 Carriage belt (E-size) - Long/wide belt attached to the carriage

### Bracket

17 C3190-40040 Left encoder bracket - Holds left end of encoder strip

18 C4713-40017 Right encoder bracket - Holds right end of encoder strip

### Cable

19 C4714-60181 Carriage assembly trailing cable (E-size) - Has 60 pin (F) connectors - 1.9m (6.2ft) long

### Carriage

20 C4713-60039 Pen carriage assembly - Includes PC board, line sensor, carriage height gauge, carriage bushings, and instructions

### Clamp

21 1400-1021 Cable clamp

### Clip

22 C3190-00012 Left encoder clip

23 C3190-00013 Right encoder clip

24 C3190-00086 Trailing cable clip



### Carriage Drive Parts

#### Cover

- 25 C4713-40038 Carriage top cover
- C4713-40053 Carriage ink cartridge slot cover

#### Guide

- 27 C4700-60052 Trailing cable guide (E-size) - Tray used to hold and guide trailing cable

#### Label

- C4713-00042 Carriage label - Shows ink cartridge location

#### Lubricant

- 29 6040-0858 Special lubricating oil - For carriage slider rod surface - 4oz (113g) plastic bottle of synthetic oil

#### Motor

- 30 C4713-60092 Carriage motor assembly - Includes cable

#### Pulley

- 31 C3190-60132 Idler pulley - For main drive belt - On left end of plotter - Includes pulley, shaft and spacer

#### Spring

- 32 C4699-00016 Encoder spring

#### Strip

- 33 C4714-60098 Encoder strip assembly (E-size) - Includes encoder strip and encoder strip spring

### Electronic Accessories

#### Cable (Interface)

- 31391A RS-232C serial extension cable - 25 pin (M) to 25 pin (F) - 5.0m (16.4ft) long
- C2990A IEEE-1284 Bi-Tronics parallel cable - DB-25 (M) (type A) to 36 pin (M) Centronics (type B) - 1.8m (6ft) long  
NO LONGER SUPPLIED
- 5063-1256 IEEE-1284 Bi-Tronics parallel cable - DB-25 (M) connector (type A) to 36 pin Centronics (M) connector (type B) - 2.0m (6.6ft) long
- C2950A IEEE-1284 Bi-Tronics parallel cable - DB-25 (M) connector (type A) to 36 pin Centronics (M) connector (type B) - 2.0m (6.6ft) long
- 5063-1256 *New Part for C2950A*
- 5063-1257 IEEE-1284 Bi-Tronics parallel cable - DB-25 (M) connector (type A) to 36 pin Centronics (M) connector (type B) - 3.0m (9.8ft) long
- C2951A IEEE-1284 Bi-Tronics parallel cable - DB-25 (M) connector (type A) to 36 pin Centronics (M) connector (type B) - 3.0m (9.8ft) long
- C2991A IEEE-1284 Bi-Tronics parallel cable - DB-25 (M) (type A) to 36 pin (M) Centronics (type B) - 3.0m (10ft) long  
NO LONGER SUPPLIED
- 17255M RS-232C serial cable - 25 pin (M) to 25 pin (M) - 1.0m (3.3ft) long  
NO LONGER SUPPLIED
- C2913A RS-232C serial cable - 25 pin (M) to 25 pin (F) - 1.2m (3.9ft) long  
NO LONGER SUPPLIED
- 17302A RS-232C serial cable - 25 pin (M) to 8 pin (M) DIN - 1.5m (4.9ft) long  
NO LONGER SUPPLIED
- 92219M RS-232C serial cable - 25 pin (M) to 9 pin (M) - 1.5m (4.9ft) long  
NO LONGER SUPPLIED
- 17355M RS-232C serial cable - 25 pin (M) to 25 pin (M) - 3.0m (9.8ft) long  
NO LONGER SUPPLIED
- 24542G RS-232C serial cable - 25 pin (M) to 9 pin (F) - 3.0m (9.8ft) long - Used to connect to HP Vectra and IBM PC/AT compatibles
- 13242G RS-232C cable - 25 pin (M) to 25 pin (M) - 5.0m (16ft) long  
NO LONGER SUPPLIED



Electronic Accessories

Firmware

- C4713-60109 Firmware upgrade kit - Upgrades to version A.01.06 - Only for DesignJet 430 with color kit installed
- C6082-60074 Firmware upgrade kit - Upgrades to version A.01.06

Interface (Product)

- J2591A External JetDirect LAN interface module and power module - Has EtherTwist (10Base-T) and ThinLAN (10Base-2) connectors  
NO LONGER SUPPLIED
- J3264A External JetDirect 500X token ring interface module - Interfaces up to 3 parallel printers to a token ring (DB-9 or RJ-45) LAN
- J3265A External JetDirect 500X LAN interface module - Interfaces up to 3 parallel printers to an ethernet 10Base-T (RJ-45), 10Base2 (BNC), or 100Base-TX (RJ-45) LAN

Memory (Product)

- C3132A 4MB, 70nS, 36-bit SIMM memory module - For HP LaserJet 4P, 4+, 4V, 5, 5N, 5M, 5P, 5Si  
NO LONGER SUPPLIED
- C3146-67901 *New Part for C3132A*
- C3133A 8MB, 70nS, 36-bit SIMM memory module - For HP LaserJet 4P, 4+, 4V, 5, 5N, 5M, 5P, 5Si  
NO LONGER SUPPLIED
- C3146-67901 *New Part for C3133A*
- C3146A 16MB, 70nS, 36-bit SIMM memory module upgrade - Includes one SIMM
- C3146-67901 *New Part for C3146A*
- D2297A 16MB, 70nS, 36-bit parity SIMM memory module  
NO LONGER SUPPLIED
- D3578A 32MB, 70nS, 36-bit parity SIMM memory module  
NO LONGER SUPPLIED

Memory (SIMM)

- C3132-67901 4MB, 70nS, 36-bit parity SIMM memory module  
NO LONGER SUPPLIED
- C3146-67901 *New Part for C3132-67901*
- C3133-67901 8MB, 70nS, 36-bit parity SIMM memory module  
NO LONGER SUPPLIED
- C3146-67901 *New Part for C3133-67901*
- C3146-67901 16MB SIMM memory module
- D2297-69001 16MB, 70nS, 36-bit SIMM memory module  
REQUIRES RETURN OF DEFECTIVE PART
- D2297-63001 *New Part for D2297-69001*
- D3578-69001 32MB, 70nS, 36-bit parity SIMM memory module  
REQUIRES RETURN OF DEFECTIVE PART
- D3578-63001 *New Part for D3578-69001*

Module

- J2591-69001 External JetDirect LAN interface module with ethertwist (10Base-T) and ThinLAN (10BASE-2) connectors
- J2593-69001 External JetDirect LAN interface module with Ethertwist (10Base-T) and ThinLAN (10BASE-2) input connectors and 3 parallel (DB-25) output connectors - (part of J2593A)
- J2594-69001 External JetDirect token ring interface module with DB-9 and RJ-45 input connectors and 3 parallel (DB-25) output connectors - (part of J2594A)  
REQUIRES RETURN OF DEFECTIVE PART
- J2594-61011 *New Part for J2594-69001*

Power Module

- 0950-3348 Wall mount power supply module (MEI-AH ED12006) - 110-127VAC input, 57-63Hz - 13VDC output, 800mA, 10.4 watts (for use in the United States and Canada) - For models J2590/91/93/94A, J2964A, J3258A/B, J3263/64/65A, J3282B, J4101A/B, J4102A/B



## Electronic Accessories

### Power Module

0950-3349	Wall mount power supply module (MEI-AH ED12007) - 230VAC input, 47-53Hz - 13VDC output, 800mA, 10.4 watts (for use in Europe and Israel) - For JetDirect/infrared interface models J2590/91/93/94A, J2964A, J3258A/B, J3263/64/65A, J3282B, J4101A/B, J4102A/B
0950-3350	Wall mount power supply module (MEI-AH ED12008) - 220-240VAC input, 47-53Hz - 13VDC output, 800mA, 10.4 watts (for use in the United Kingdom) - For JetDirect/infrared interfaces J2590/91/93/94A, J2964A, J3258A/B, J3263/64/65A, J3282B, J4101A/B, J4102A/B
0950-3351	Wall mount power supply module (MEI-AH ED12009) - 220VAC input, 47-63Hz - 13VDC output, 800mA, 10.4 watts (for use in South Korea) - For JetDirect/infrared interface models J2590/91/93/94A, J2964A, J3258A/B, J3263/64/65A, J3282B, J4101A/B, J4102A/B
0950-3352	Wall mount power supply module (MEI-AH ED12010) - 100VAC input, 47-63Hz - 13VDC output, 800mA, 10.4 watts (for use in Japan) - For JetDirect/infrared interface models J2590/91/93/94A, J2964A, J3258A/B, J3263/64/65A, J3282B, J4101A/B, J4102A/B
0950-3354	Wall mount power supply module (MEI-AH ED12010) - 220-250VAC input, 47-53Hz - 13VDC output, 800mA, 10.4 watts (for use in South Africa) - For JetDirect/infrared interface models J2590/91/93/94A, J2964A, J3258A/B, J3263/64/65A, J3282B, J4101A/B, J4102A/B
9100-5176	Wall mount power supply module (Leader Electronics 48130625HK) - 200V AC input, 48-52Hz - 13VDC output, 625mA (Hong Kong) - For JetDirect Modules and Infrared Interface Models J2590/91/93/94A, J2964A, J3258A/B, J3263/64/65A, J3282B, J4101A/B, J4102A/B
0950-3350	<i>New Part for 9100-5176</i>

## Electronics/Power Supply

### Front Panel

73 C4713-60091 Front panel assembly - Complete

### Module

74 C4713-69203 Electronics module - Contains power supply, main logic board, interface connectors, and fan  
REQUIRES RETURN OF DEFECTIVE PART

C4713-60203 *New Part for C4713-69203*

### Power Cord

8120-1351	Power cord (Mint Gray) - 17 AWG, 2.3m (7.5ft) long - Has straight (F) receptacle (For 240V in the UK, Hong Kong, Singapore, Malaysia, and Brunei)
8120-1369	Power cord (Mint Gray) - 17 AWG, 2.0m (6.6ft) long - Has straight (F) receptacle (For 240V in Australia, New Zealand, and China)
8120-1689	Power cord (Mint Gray) - 17 AWG, 2.0m (6.6ft) long - Has straight (F) receptacle (For 220V in Europe, Bangladesh, Indonesia, Pakistan, Burma, Sri Lanka, and Vietnam)
8120-1751	Power cord (Black) - 18 AWG, 2.3m (7.5ft) long - Has straight (F) receptacle (For 120V, 10A in the USA, Canada, Chile, Argentina, and Taiwan)
8120-2104	Power cord (Mint Gray) - 2.0m (6.6ft) long - Has straight (F) receptacle (For 220V in Switzerland)
8120-2956	Power cord (Mint Gray) - 2.0m (6.6ft) long - Has straight (F) receptacle (For 220V in Denmark)
8120-4753	Power cord (Flint Gray) - 18 AWG, 2.3m (7.5ft) long - Has straight (F) receptacle (For 100V in Japan)

## Other Accessories

### CD-ROM (Support)

C7769-90066 DesignJet support CD ROM - Version A.04.01 - Has product information, user's manuals, service manuals, diagnostic software, test drawings, newsletters, and service notes

### Cartridge

51640A	Black print cartridge (w/ level indicator) - Prints approx.1120 pages based on 5% density on a 8 inch by 10 inch print area (for USA)
51640AA	Black print cartridge (with level indicator) - Prints approx.1120 pages based on 5% density on a 8 inch by 10 inch print area (for Asia/Pacific)
51640AE	Black print cartridge (with level indicator) - Prints approx.1120 pages based on 5% density on a 8 inch by 10 inch print area (for Europe)
51640AL	Black print cartridge (with level indicator) - Prints approx.1120 pages based on 5% density on a 8 inch by 10 inch print area (for Latin America)



**Other Accessories**

**Cleaning Supplies**

C6247A DesignJet cleaning kit - Includes cleaning solution and 20 cleaning rags

**Lubricant**

- 88 6040-0858 Special lubricating oil - For carriage slider rod surface - 4oz (113g) plastic bottle of synthetic oil
- 89 C3190-60155 Grease - For helical gear (Drive roller gear)

**Manual**

- 5959-9733 HP-GL/2 & HP RTL reference guide - Programming information, handbook for developers
- 5959-9734 Comparison guide for HP-GL/2 and RTL peripherals (English)

**Manual Kit**

- 5021-0377 HP-GL/2, PCL5 and PJI technical reference manual kit
- C4713-60041 Manual kit - Includes quick reference guide, user guide and unpacking/assembly instructions (English)
- C4713-60045 Manual kit - Includes quick reference guide, user guide and unpacking/assembly instructions (French)
- C4713-60046 Manual kit - Includes quick reference guide, user guide and unpacking/assembly instructions (Spanish)
- C4713-60048 Manual kit - Includes quick reference guide, user guide and unpacking/assembly instructions (Japanese)
- C4713-60049 Manual kit - Includes quick reference guide, user guide and unpacking/assembly instructions (Portuguese)
- C4713-60187 Manual kit - Includes quick reference guide, user guide and unpacking/assembly instructions (Italian)
- C6082-60002 Manual kit - Includes quick reference guide, user guide and unpacking/assembly instructions (Korean)
- C6082-60003 Manual kit - Includes quick reference guide, user guide and unpacking/assembly instructions (Taiwan)
- C6082-60010 Manual kit - Includes quick reference guide, user guide and unpacking/assembly instructions (Simplified Chinese)

**Return Kit**

- 5183-5268 Return kit with box and instructions - For returning defective Thermal InkJet (TIJ) 2.5 InkJet cartridges covered under the CREW program - For USA
- 5184-2833 Return kit with box and instructions - For returning defective Thermal InkJet (TIJ) 2.5 InkJet cartridges covered under the CREW program - For use outside of the USA

**Software**

- C4713-10041 DesignJet 430/450C/455CA Toolbox for Windows 95 (English) - On 3.5-inch floppy disk
- C6072-60281 Toolbox and driver software - HP-GL/2 and PJI drivers for Windows 3.1/95/98/NT 4.0 (all DesignJets), and toolbox software for Windows 95/NT 4.0 (Only for DesignJet 430/450C/455CA/1050C/1055CM) - On 3.5-inch 1.44MB floppy disks (English)
- C6072-60284 Toolbox and driver software - HP-GL/2 and RTL drivers for Windows 3.1/95/98/NT 4.0 (all DesignJets), and toolbox software for Windows 95/NT 4.0 (Only for DesignJet 430/450C/455CA/1050C/1055CM) - On 3.5-inch 1.44MB floppy disks (German)
- C6072-60285 Toolbox and driver software - HP-GL/2 and RTL drivers for Windows 3.1/95/98/NT 4.0 (all DesignJets), and toolbox software for Windows 95/NT 4.0 (Only for DesignJet 430/450C/455CA/1050C/1055CM) - On 3.5-inch 1.44MB floppy disks (French)
- C6072-60286 Toolbox and driver software - HP-GL/2 and RTL drivers for Windows 3.1/95/98/NT 4.0 (all DesignJets), and toolbox software for Windows 95/NT 4.0 (Only for DesignJet 430/450C/455CA/1050C/1055CM) - On 3.5-inch 1.44MB floppy disks (Spanish)
- C6072-60287 Toolbox and driver software - HP-GL/2 and RTL drivers for Windows 3.1/95/98/NT 4.0 (all DesignJets), and toolbox software for Windows 95/NT 4.0 (Only for DesignJet 430/450C/455CA/1050C/1055CM) - On 3.5-inch 1.44MB floppy disks (Italian)
- C6072-60301 HP-GL/2 driver software for AutoCAD - For DOS and Windows 3.1/95/NT 4.0 - On 3.5-inch 1.44MB floppy disks (English)
- C6072-60304 HP-GL/2 driver software for AutoCAD - For DOS and Windows 3.1/95/NT 4.0 - On 3.5-inch 1.44MB floppy disks (German)
- C6072-60305 HP-GL/2 driver software for AutoCAD - For DOS and Windows 3.1/95/NT 4.0 - On 3.5-inch 1.44MB floppy disks (French)
- C6072-60306 HP-GL/2 driver software for AutoCAD - For DOS and Windows 3.1/95/NT 4.0 - On 3.5-inch 1.44MB floppy disks (Spanish)



## Other Accessories

### Software

C6072-60307 HP-GL/2 driver software for AutoCAD - For DOS and Windows 3.1/95/NT 4.0 - On 3.5-inch 1.44MB floppy disks (Italian)

### Training Kit

C4713-60118 Self-paced training kit for DesignJet 430/450C/455CA/488CA - Includes video in PAL format, and CD-ROM containing user's and service manuals

C4713-60119 Self-paced training kit for DesignJet 430/450C/455CA/488CA - Includes video in NTSC format, and CD-ROM containing user's and service manuals

### Upgrade Kit

C4718A Color upgrade kit - Includes ink cartridges, firmware SIMM, driver software, carriage label, front panel overlay, and instructions - Adds color capabilities to the DesignJet 430

## Other External Parts

### Clip

C4699-60072 Cable clip

### Cover

119 C4713-00011 SIMM cover plate

120 C4713-40029 Left end cover

121 C4713-60030 Right end cover

122 C4714-60014 Top cover assembly (E-size)

123 C4714-60097 Back cover assembly (E-size)

### Deflector

124 C4713-60117 Media deflector with media button - The media deflector is hinged to the right side - Includes media load button

### Guide

125 C4713-60184 Rollfeed guide kit - Left and right guides mounted under printer - Used to attach rollfeed housings to the printer

### Holder

C3190-40052 Holder - For quick reference guide

### Keycap

127 C4713-40046 Power switch button/keycap

### Label

5961-3524 Serial number label

C4705-00017 Instruction label

### Nameplate/Logo

C4713-00013 Nameplate - DesignJet 430

### Overlay

C4713-60171 Front panel overlay (Self adhesive) - Shows the function of the front panel buttons and indicator lights (English)

C4713-60172 Front panel overlay (Self adhesive) - Shows the function of the front panel buttons and indicator lights (Korean)

C4713-60173 Front panel overlay (Self adhesive) - Shows the function of the front panel buttons and indicator lights (Taiwanese)

C4713-60174 Front panel overlay (Self adhesive) - Shows the function of the front panel buttons and indicator lights (German)

C4713-60175 Front panel overlay (Self adhesive) - Shows the function of the front panel buttons and indicator lights (French)

C4713-60176 Front panel overlay (Self adhesive) - Shows the function of the front panel buttons and indicator lights (Spanish)

C4713-60177 Front panel overlay (Self adhesive) - Shows the function of the front panel buttons and indicator lights (Italian)

C4713-60178 Front panel overlay (Self adhesive) - Shows the function of the front panel buttons and indicator lights (Japanese)

C4713-60179 Front panel overlay (Self adhesive) - Shows the function of the front panel buttons and indicator lights (Portuguese)

C4713-60180 Front panel overlay (Self adhesive) - Shows the function of the front panel buttons and indicator lights (Chinese)



## Other External Parts

### Platen

- 141 C4714-60114 Entry Platen Assembly (E-size) - Curved cover/guide that is next to the paper drive (Platen) roller

## Other Internal Parts

### Cover

- C4713-40042 Primer cover

### Cutter

- 143 C4713-60040 Cutter assembly - Mounts on carriage slide rod to the right of the carriage

### Primer

- 144 C4713-60023 Primer assembly - Mounted on left side of plotter

### Service Station

- 145 C3190-60142 Service station assembly

### Spittoon

- 146 C4713-60017 Spittoon assembly - Contains absorbers which hold excess ink from cartridges

### Trim

- 147 C4713-40022 Right trim assembly - At right of entry platen

- 148 C4713-40023 Left trim assembly - At left of entry platen

## Paper Drive Parts

### Cable

- 197 C3180-60012 Ribbon cable - Has 5 pin (F) connectors - 16.3cm (6.4 inches) long

### Lubricant

- 198 C3190-60155 Grease - For helical gear (Drive roller gear)

### Motor/Gear

- 199 C4713-60094 Paper (X-axis) drive motor (Includes helical drive gear) - NOTE: motor and gear are only sold as an assembly

### Roller

- 200 C4700-60042 Paper drive (Platen) roller assembly - Long gear driven roller - Includes roller and mark encoder

## Paper and Other Media

### Film (Clear)

- C3876A Clear film (4 mil) - 61cm (24in) x 22.9m (75ft) roll

- C3875A Clear film (4 mil) - 91.4cm (36in) x 22.9m (75ft) roll

### Film (Matte)

- 51642C Polyester matte film - B size (11 x 17-inches) - 40 sheets  
NO LONGER SUPPLIED

- 51642A *New Part for 51642C*

- 51642F Polyester matte film - A3 size (29.7cm x 42.0cm) - 40 sheets  
NO LONGER SUPPLIED

- 51642G Polyester matte film - D size (22 x 34-inches) - 40 sheets  
NO LONGER SUPPLIED

- 51642A *New Part for 51642G*

- 51642H Polyester matte film - A1 size (59.4cm x 84.1cm) - 40 sheets  
NO LONGER SUPPLIED

- 51642A Polyester matte film - 61cm (24in) x 36.6m (120ft) roll

- 51642J Polyester matte film - Architectural D size (24 x 36-inches) - 40 sheets  
NO LONGER SUPPLIED

- 51642A *New Part for 51642J*

- 51642M Polyester matte film - A0 size (84.1cm x 118.9cm) - 40 sheets  
NO LONGER SUPPLIED



**Paper and Other Media**

**Film (Matte)**

- 51642K Polyester matte film - E size (34 x 44-inches) - 40 sheets  
NO LONGER SUPPLIED
- 51642B Polyester matte film - 91.4cm (36in) x 36.6m (120ft) roll
- 51642N Polyester matte film - Architectural E size (36 x 48-inches) - 40 sheets  
NO LONGER SUPPLIED

**Paper (Bright White)**

- C1860A Bright white InkJet paper - 61cm (24in) x 45.7m (150ft) roll
- C6035A Bright white InkJet paper - 61cm (24in) x 45.7m (150ft) roll
- C1861A Bright white InkJet paper - 91.4cm (36in) x 45.7m (150ft) roll
- C6036A Bright white InkJet paper - 91.4cm (36in) x 45.7m (150ft) roll

**Paper (Coated)**

- C1831A Coated paper - D size (22 x 34-inches) - 100 sheets  
NO LONGER SUPPLIED
- C1835A Coated paper - A1 size (59.4cm x 84.1cm) - 125 sheets  
NO LONGER SUPPLIED
- C1833A Coated paper - Architectural D size (24 x 36-inches) - 100 sheets  
NO LONGER SUPPLIED
- C3880A Heavyweight coated paper (6 mil) - 61cm (24in) x 30.5m (100ft) roll  
NO LONGER SUPPLIED
- C6019B Coated paper (98 gsm) - 61cm (24in) x 45.7m (150ft) roll (USA, Canada, and Latin America)
- C6021B Heavyweight coated paper - 61cm (24in) x 30.5m (100ft) roll (USA, Canada, and Latin America)  
NO LONGER SUPPLIED
- C6029B Heavyweight coated paper - 61cm (24in) x 30.5m (100ft) roll (Europe, Asia/Pacific, and Japan)  
NO LONGER SUPPLIED
- C6029C Heavyweight coated paper - 61cm (24in) x 30.5m (100ft) roll - For regular or UV resistant ink
- C1834A Coated paper - A0 size (84.1cm x 118.9cm) - 125 sheets  
NO LONGER SUPPLIED
- C1830A Coated paper - E size (34 x 44-inches) - 100 sheets  
NO LONGER SUPPLIED
- C1832A Coated paper - Architectural E size (36 x 48-inches) - 100 sheets  
NO LONGER SUPPLIED
- C3879A Heavyweight coated paper (6 mil) - 91.4cm (36in) x 30.5m (100ft) roll  
NO LONGER SUPPLIED
- C6020B Coated paper (98 gsm) - 91.4cm (36in) x 45.7m (150ft) roll (USA, Canada, and Latin America)
- C6022B Heavyweight coated paper - 91.4cm (36in) x 30.5m (100ft) roll (USA, Canada, and Latin America)  
NO LONGER SUPPLIED
- C6030B Heavyweight coated paper - 91.4cm (36in) x 30.5m (100ft) roll (Europe, Asia/Pacific, and Japan)  
NO LONGER SUPPLIED
- C6030C Heavyweight coated paper - 91.4cm (36in) x 30.5m (100ft) roll - For regular or UV resistant ink

**Paper (Tracing)**

- C3869A Natural tracing paper - 61cm (24in) x 45.7m (150ft) roll
- C3868A Natural tracing paper - 91.4cm (36in) x 45.7m (150ft) roll

**Paper (Translucent)**

- C3891A Translucent bond paper - D size (22 x 34-inches) - 100 sheets  
NO LONGER SUPPLIED
- C3893A Translucent bond paper - A1 size (59.4cm x 84.1cm) - 125 sheets  
NO LONGER SUPPLIED
- C3860A Translucent bond paper - 61cm (24in) x 45.7m (150ft) roll
- C3896A Translucent bond paper - Architectural D size (24 x 36-inches) - 100 sheets  
NO LONGER SUPPLIED





## Paper and Other Media

### Paper (Translucent)

C3892A	Translucent bond paper - A0 size (84.1cm x 118.9cm) - 125 sheets NO LONGER SUPPLIED
C3890A	Translucent bond paper - E size (34 x 44-inches) - 100 sheets NO LONGER SUPPLIED
C3859A	Translucent bond paper - 91.4cm (36in) x 45.7m (150ft) roll
C3894A	Translucent bond paper - Architectural E size (36 x 48-inches) - 100 sheets NO LONGER SUPPLIED

### Vellum

C3864A	Vellum (75 gsm) - D size (22 x 34-inches), 20 lb, 3.0 mil - 100 sheets NO LONGER SUPPLIED
C3862A	Vellum - 61cm (24in) x 45.7m (150ft) roll
C3866A	Vellum (75 gsm) - Architectural D size (24 x 36-inches), 20 lb, 3.0 mil - 100 sheets NO LONGER SUPPLIED
C3862A	<i>New Part for C3866A</i>
C3863A	Vellum (75 gsm) - E size (34 x 44-inches) 20 lb, 3.0 mil - 100 sheets NO LONGER SUPPLIED
C3861A	Vellum - 91.4cm (36in) x 45.7m (150ft) roll
C3865A	Vellum (75 gsm) - Architectural E size (36 x 48-inches), 20 lb, 3.0 mil - 100 sheets NO LONGER SUPPLIED

## Pincharm Assembly Parts

### Bushing

201	C1633-40082	Pincharm spring retaining bushing
-----	-------------	-----------------------------------

### Cam

202	C1633-20012	Pinch arm bar cam (E-size) - Long rod from left to right side of printer - Used to lift the pinch arms
203	C3190-60149	Left cam journal - Mounted on left end of pincharm shaft

### Handle

204	C4713-40025	Pinchwheel manual lift handle - Paper loading lever
-----	-------------	---

### Lever Assembly

205	C4713-60116	Right cam journal assembly - 2 levers and a metal rod
-----	-------------	---

### Pincharm

206	C4699-60081	Pincharm assembly - Curved black plastic plate with 4 small rubber rollers (Does NOT include spring or bushing)
-----	-------------	---

### Sensor

207	C4713-60034	Pincharm sensor assembly
-----	-------------	--------------------------

### Spring

208	C1633-80005	Compression spring between pincharm assembly and bushing
209	C4713-80003	Pincharm spring

## Roll Feed Assembly Parts

### End Cap

C3174-40011	Spindle end cap (2in)
-------------	-----------------------

### Extension

211	C4713-60038	Media extension kit - Includes 3 extensions
-----	-------------	---

### Guide

212	C4713-60184	Rollfeed guide kit - Left and right guides mounted under printer - Used to attach rollfeed housings to the printer
-----	-------------	--



## Roll Feed Assembly Parts

### Hub

C4713-60120 Spindle hub kit, small size - Includes 2 small hubs and install guide - (China)

### Rollfeed Kit

214 C4719A E/A0 rollfeed kit - Includes left and right housing, hubs, spindle, end caps, screwdriver, and screws

### Spindle

215 C4719-60005 E/A0 rollfeed spindle rod assembly - Includes spindle, hubs, and end caps

### Spindle Kit

C6239A E/A0 rollfeed spindle rod assembly for DesignJet 4xx Series - Includes spindle, hubs, and end caps

## Stand Parts

### Bin

217 C4704-60073 Media bin arm (Loop assembly)

C4713-60147 *New Part for C4704-60073*

### Cross-Brace

218 C4704-60077 Cross-brace (E-size) - Main structure that extends between stand legs

### Foot

219 C4704-60086 Foot assembly (includes casters)

### Hardware Kit

220 C4704-60095 Hardware kit for printer stand - Includes screwdriver, screws, washers, and media bin retaining clips

### Leg

221 C4704-60075 Leg assembly - Side support for the plotter - Does NOT include the foot assembly

### Stand

C6070A HP DesignJet Stand (D/A1) - Includes legs, casters, brace, wire form paper deflector, and media bin - For E/A0 size DesignJets

### Strip

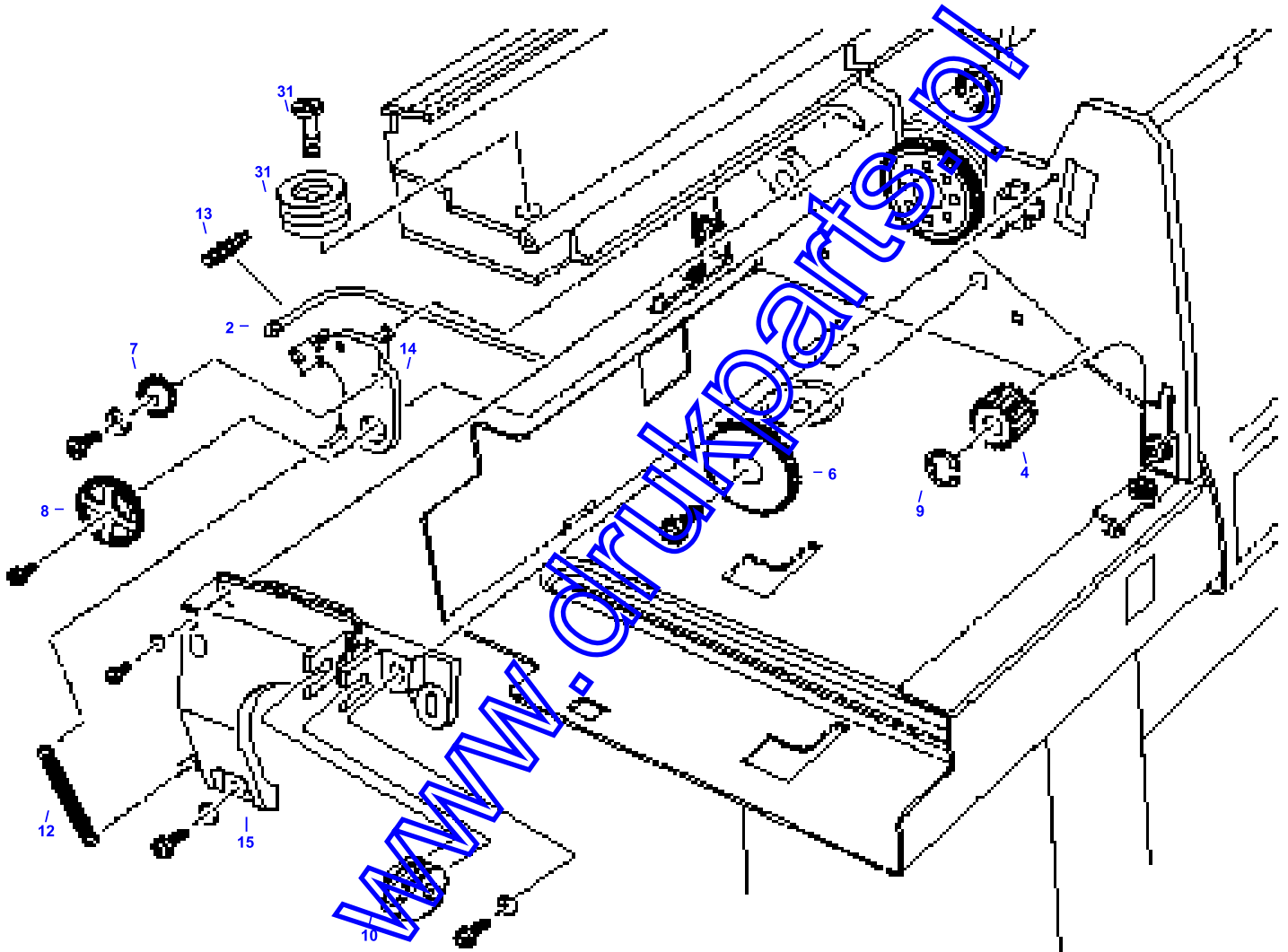
223 C4704-40070 Capping strips (E-size) - Two strips that snap together on the ends of the bin arms

### Support

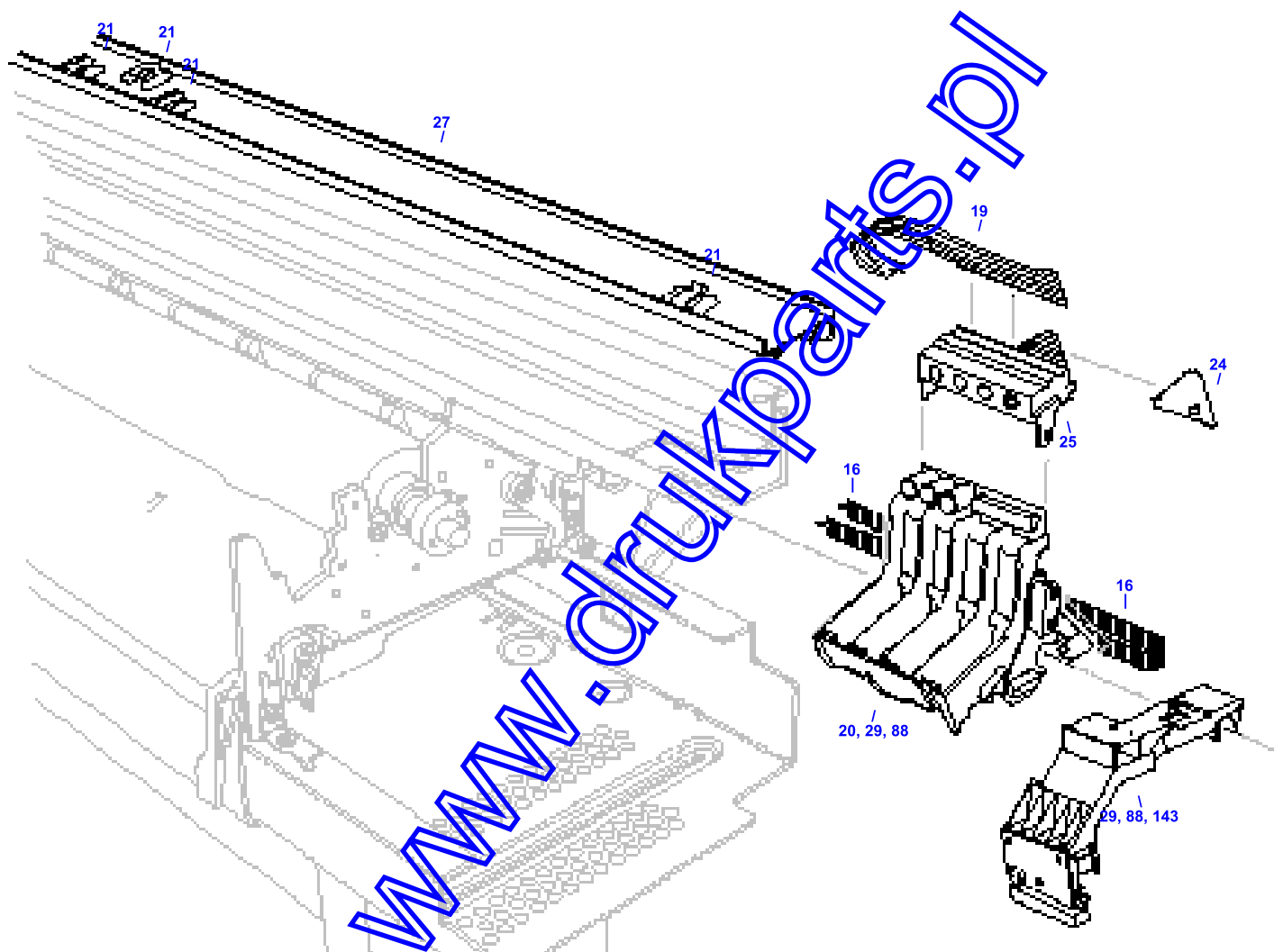
224 C4714-60147 Media bin support (E-size) - Supports media bin arms

www.drukparts.nl

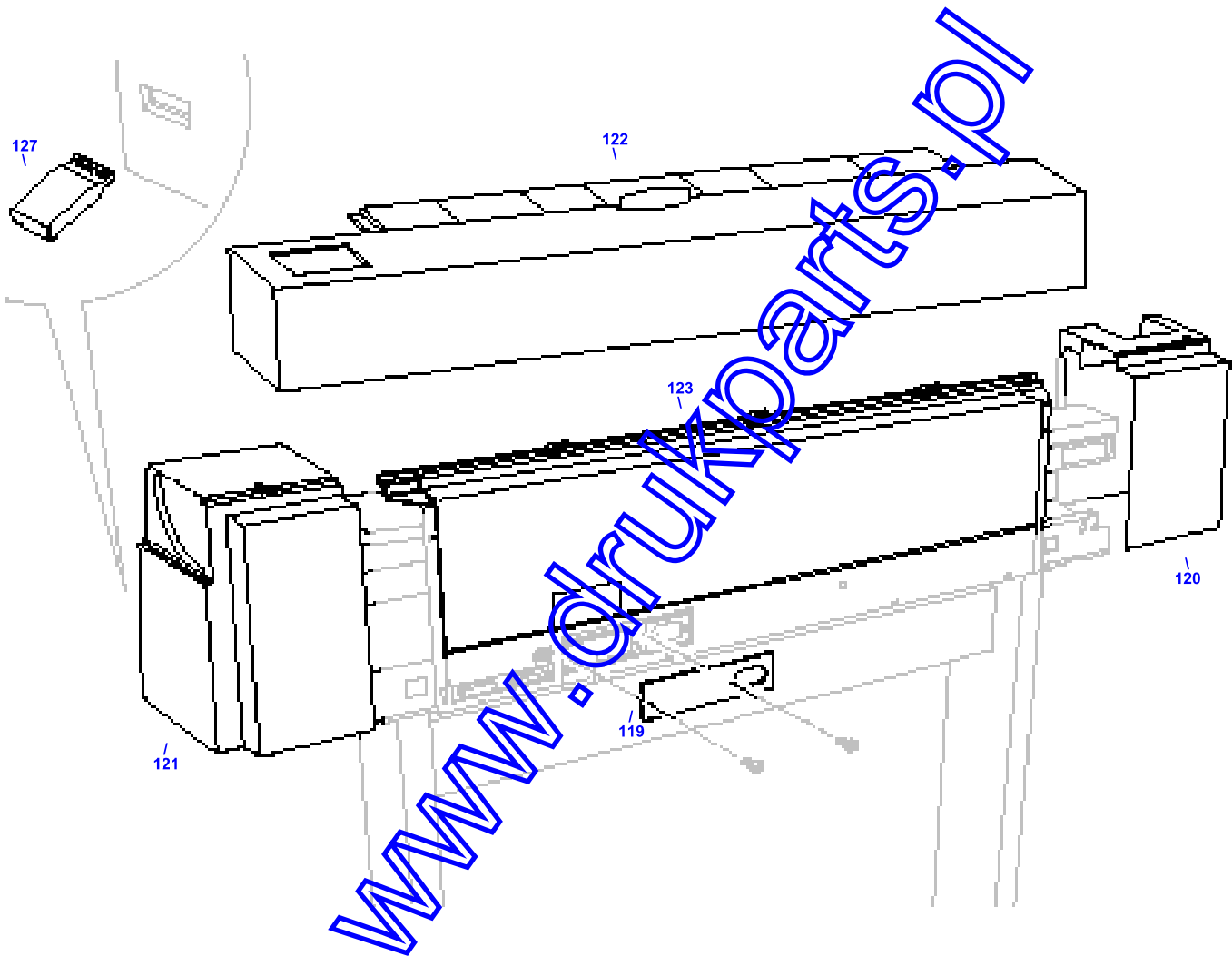
Bail Mechanism, Overdrive Mechanism



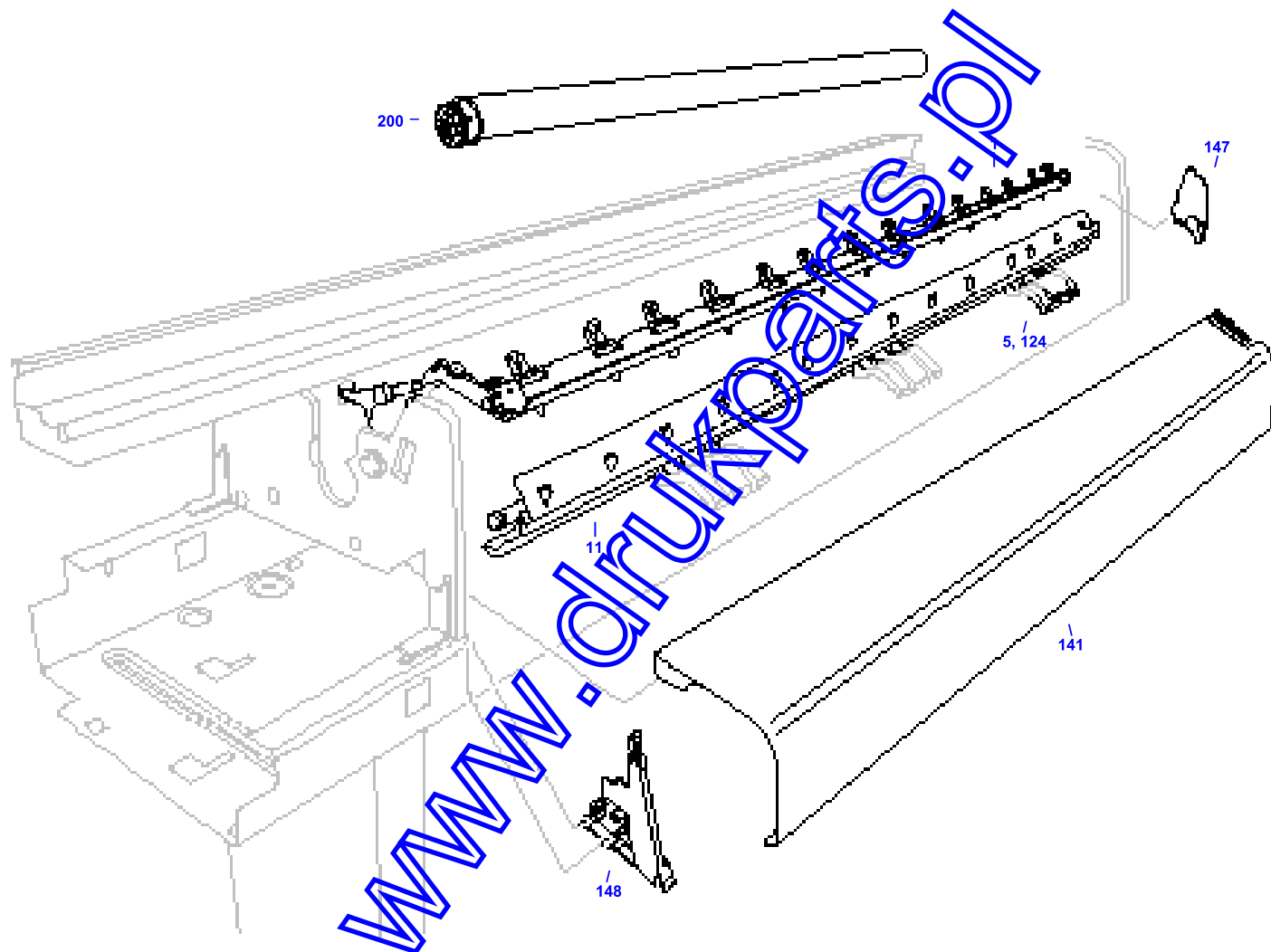
Carriage Assembly, Cutter Assembly, Trailing Cable



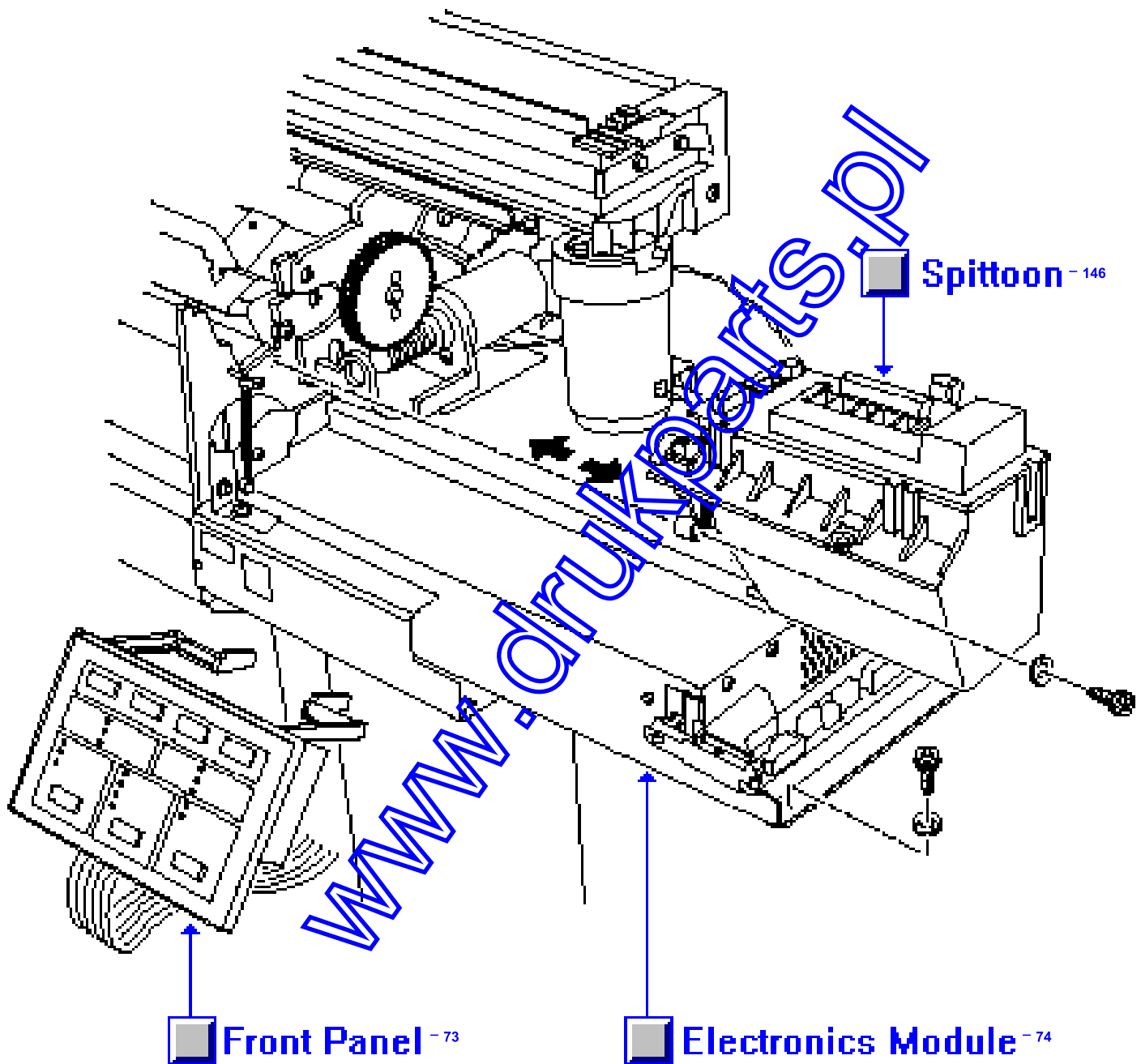
Covers



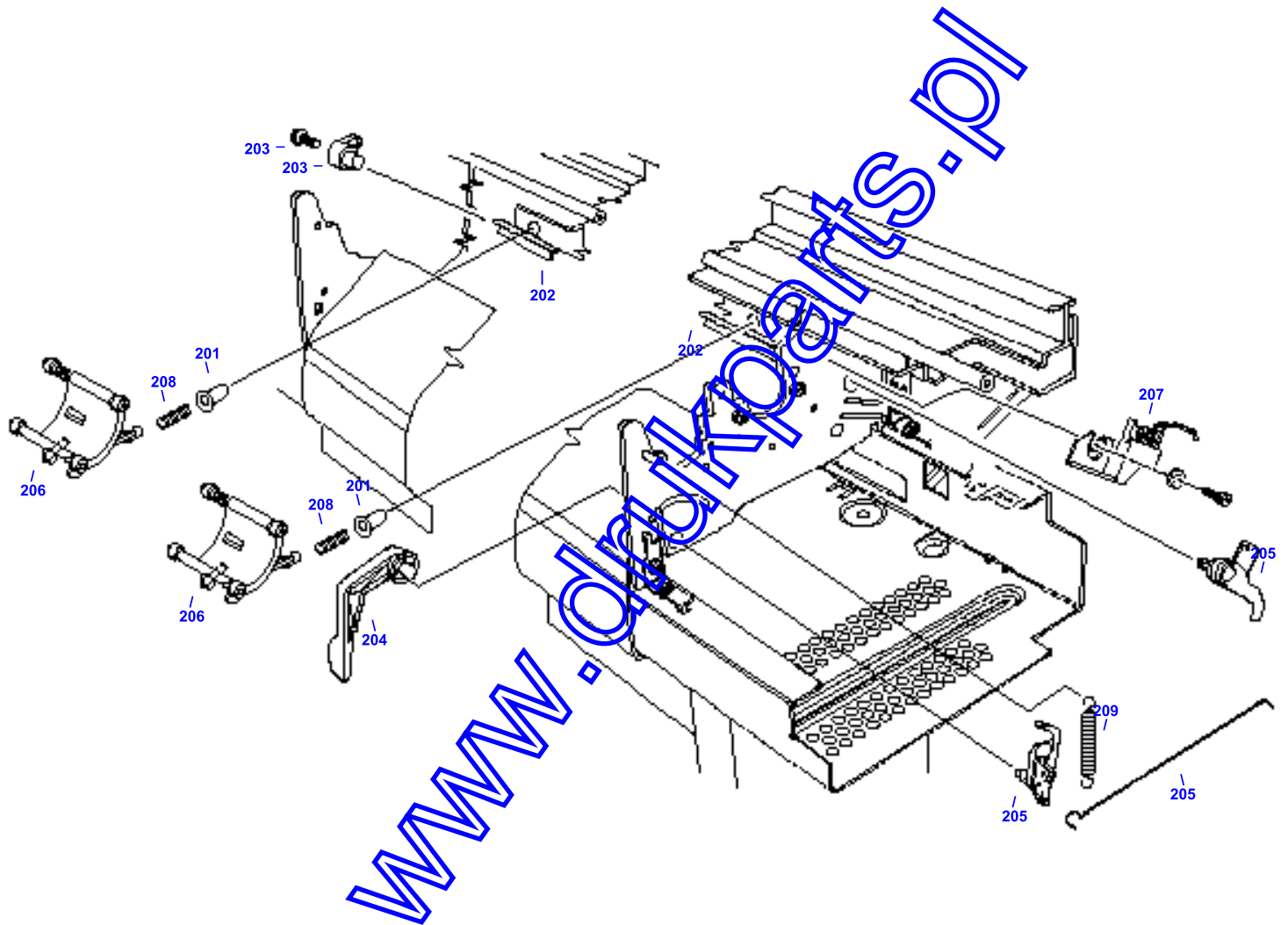
Entry Platen, Drive Roller, Bail Assy, Overdrive Assy



Front Panel, Electronics Module, Spittoon

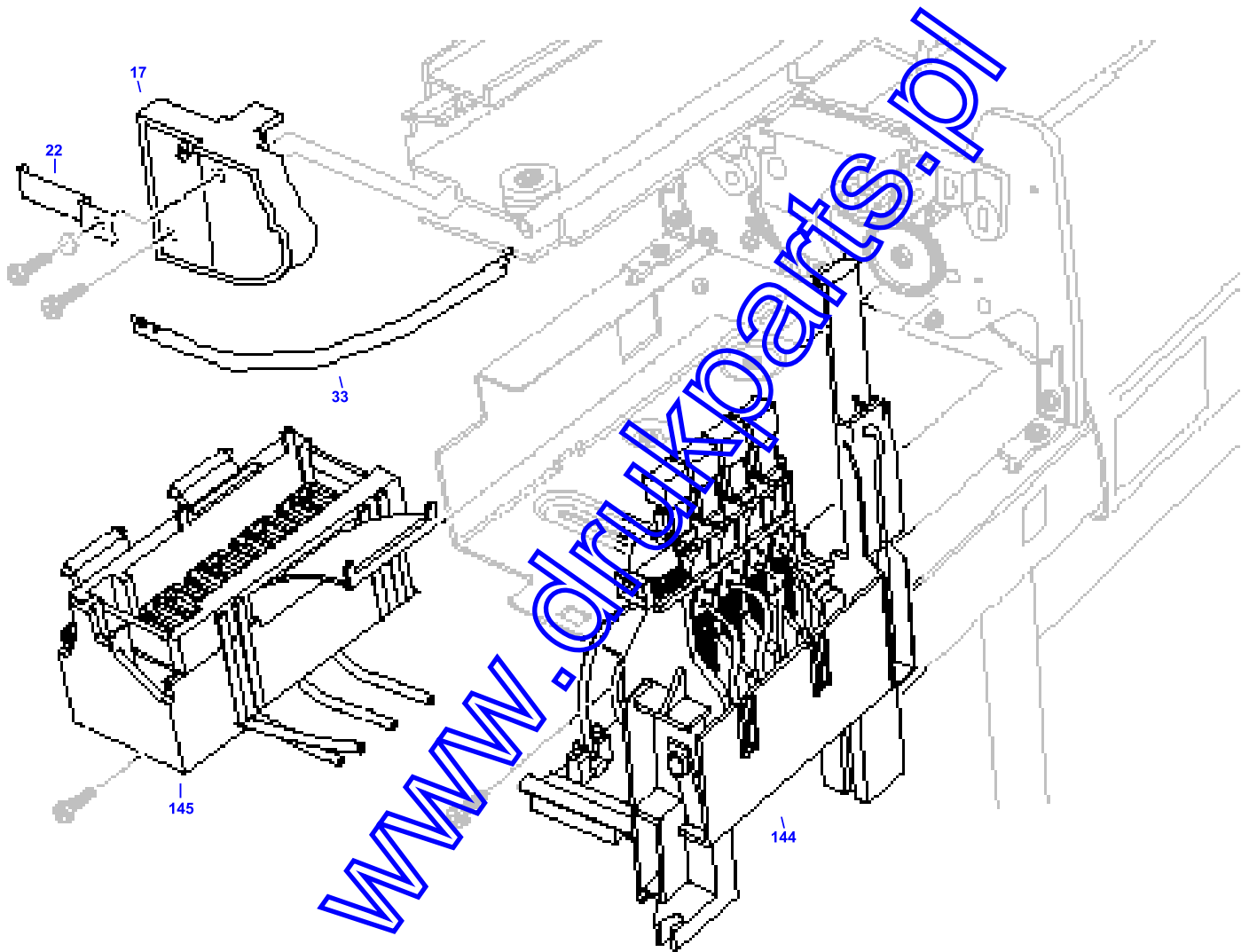


Pincharm Assembly

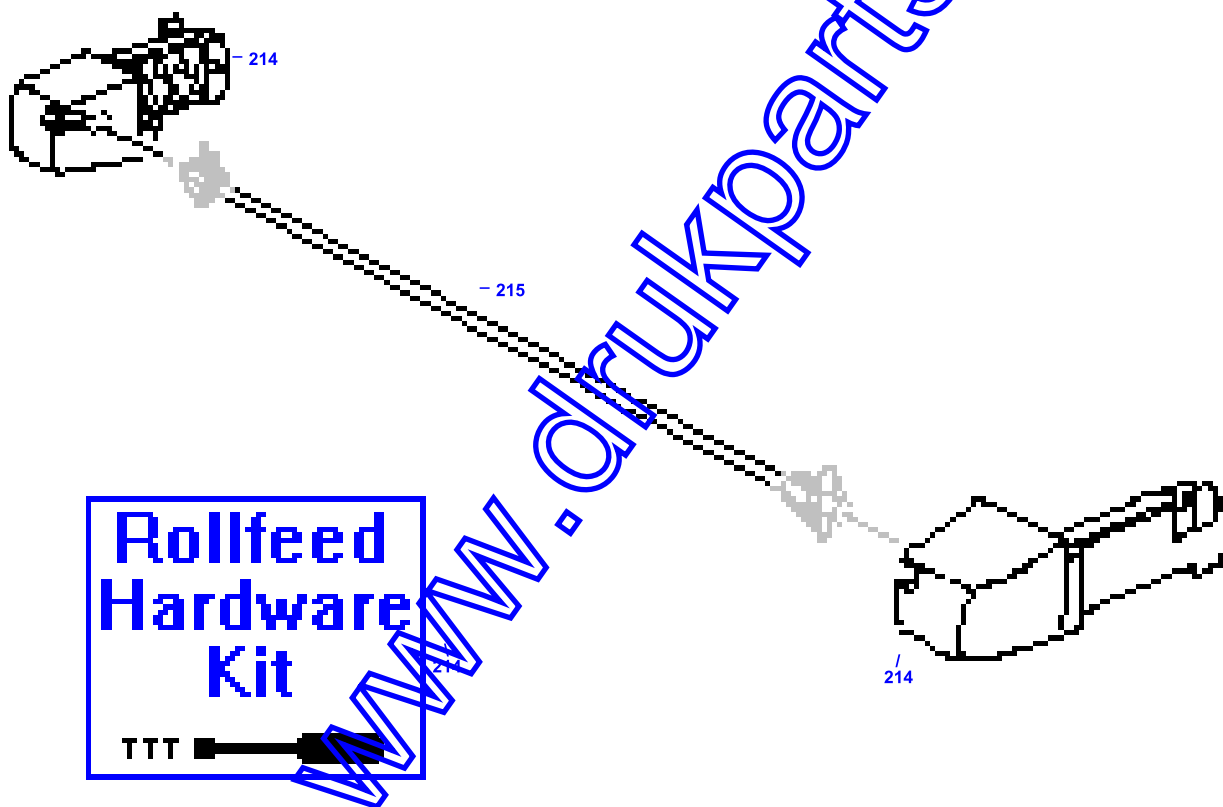




Primer Assembly, Service Station Assembly

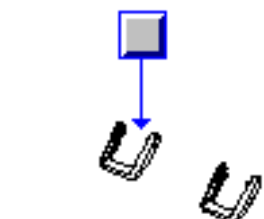


Rollfeed Assembly

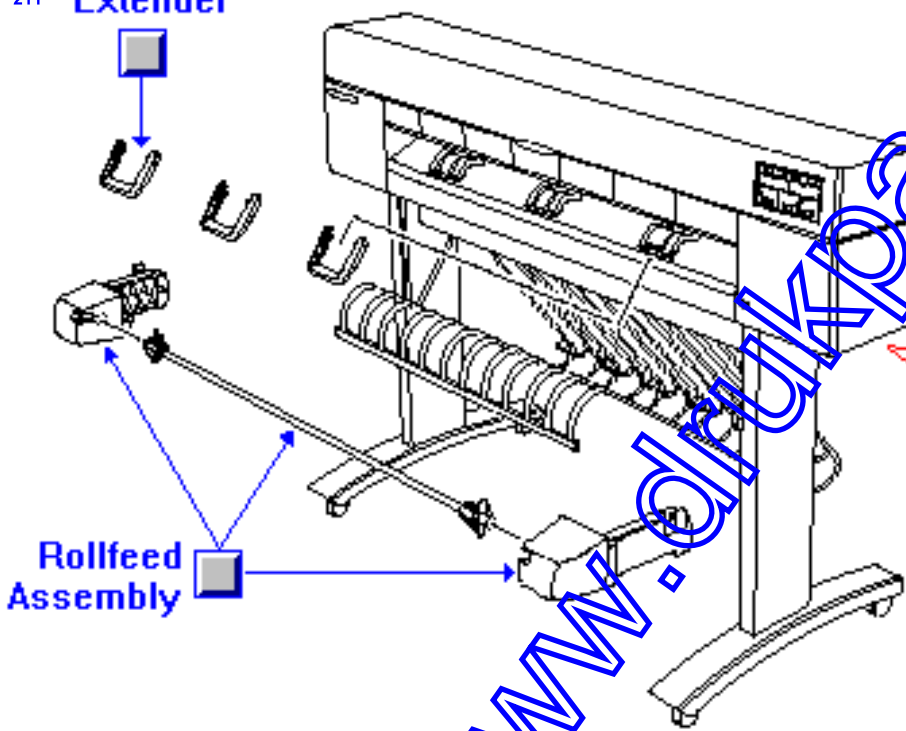


Rollfeed Assembly and Media Extenders

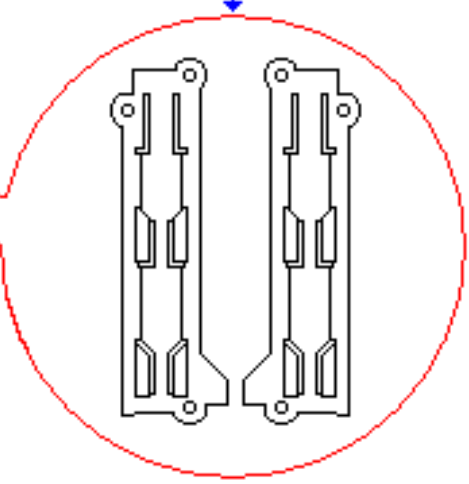
211 - Extender



Rollfeed Assembly

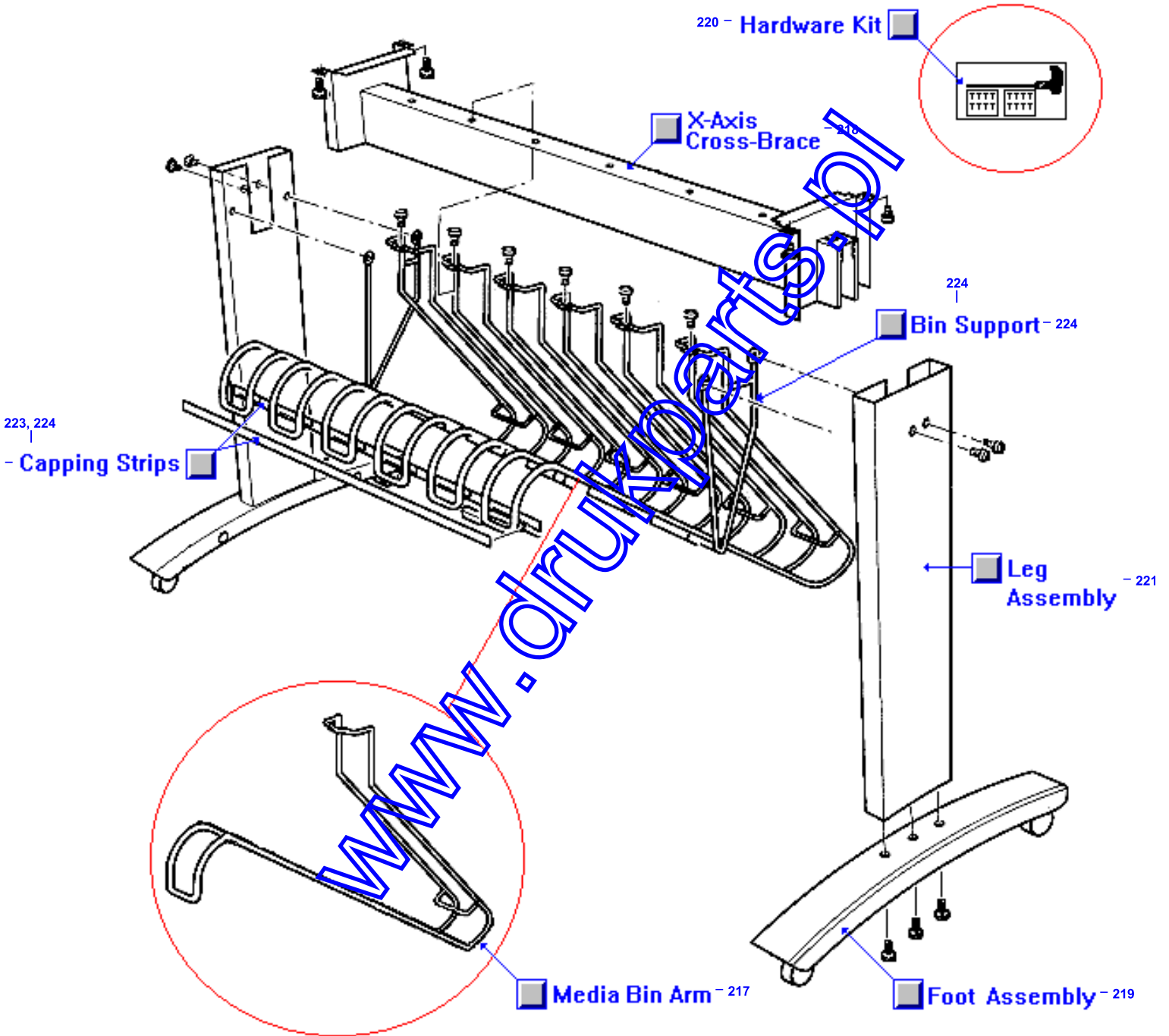


185, 212 - Rollfeed Guide

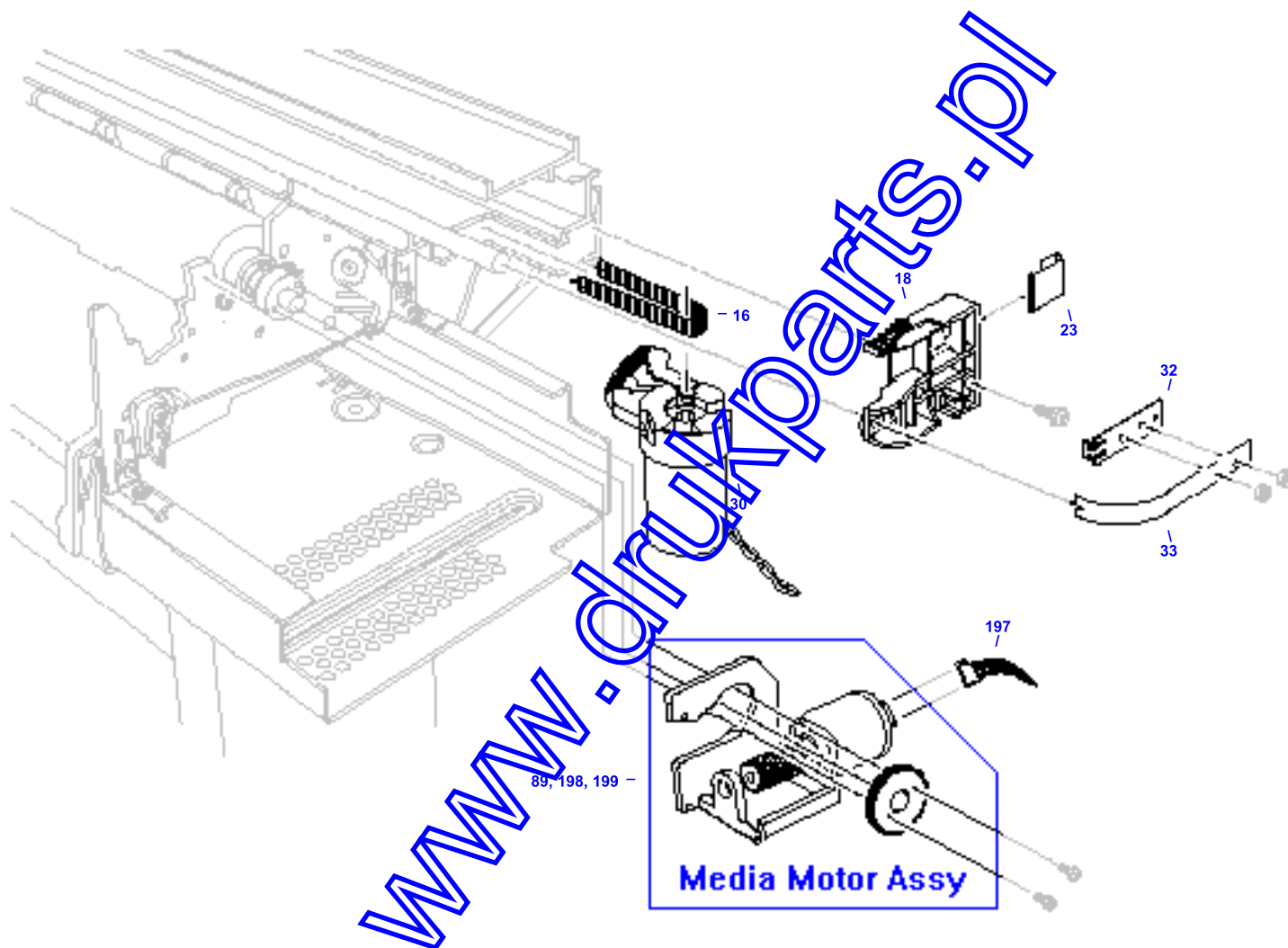


www.hp.com/go/hpparts

Stand Assembly



X and Y Axis Motors, Encoder Strip





**HP Parts Reference Guide**

<http://www.hp.com/go/parts>

**HP PartSurfer**

<http://partsurfer.hp.com>

**HP Parts Ordering Information**

<http://www.hp.com/go/hpparts>

**HP Parts Questions/Comments**

<http://partsurfer.hp.com/contactus.htm>

[www.drukparts.pl](http://www.drukparts.pl)