



Bail and Overdrive Parts

Bail

1 C4713-60093 Bail assembly (D-size) - Has star wheel assemblies attached

Cable

2 C4713-60182 Bail link (Cable) - Flexible stranded wire cable - 12.5cm (4.9 inches) long

Cam

3 C3190-40020 Bail lift cam - Mounted behind the bail engaging lever support

Clutch

4 C4713-60129 Overdrive clutch assembly

Deflector

5 C4713-60117 Media deflector with media button - The media deflector furthest to the right side. Includes media load button

Gear

6 C1633-40019 Overdrive gear cluster

7 C1633-40027 Bail engaging lever gear

8 C3190-40019 Bail lift cam gear

Hardware

9 0510-0083 Retaining E-ring - 0.250-in diameter, steel zinc-dichromate dip

Lever

10 C3190-40022 Bail engaging lever - Small item that holds one end of bail cable - Snaps into bail engaging lever support

Roller

11 C4713-60115 Overdrive roller assembly (D-size) - Includes overdrive shaft with rollers, overdrive housing, media deflector without media button, and media deflector with media button

Spring

12 07575-80012 Bail gear support 'claw' spring - Attached between the bail engaging lever support and the bail gear assembly

13 C3190-80013 Bail cable spring

Support

14 C3190-40021 Bail gear support - The mount for the bail lift cam gear and the bail lift engaging gear (Part of the bail gear assembly)

15 C4713-40016 Bail engaging lever support - Mounted over the left end of the drive roller - Bail engaging lever snaps into this item

Carriage Drive Parts

Belt

16 C4705-60082 Carriage belt (D-size) - Long/wide belt attached to the carriage

Bracket

17 C3190-40040 Left encoder bracket - Holds left end of encoder strip

18 C4713-40017 Right encoder bracket - Holds right end of encoder strip

Cable

19 C4713-60181 Carriage assembly trailing cable (D-size) - Has 60 pin (F) connectors - 1.6m (5.2ft) long

Carriage

20 C4713-60039 Pen carriage assembly - Includes PC board, line sensor, carriage height gauge, carriage bushings, and instructions

Clamp

21 1400-1021 Cable clamp

Clip

22 C3190-00012 Left encoder clip

23 C3190-00013 Right encoder clip

24 C3190-00086 Trailing cable clip



Carriage Drive Parts

Cover

- 25 C4713-40038 Carriage top cover
- C4713-40053 Carriage ink cartridge slot cover

Guide

- 27 C4699-60052 Trailing cable guide (D-size) - Tray used to hold and guide trailing cable

Label

- C4713-00042 Carriage label - Shows ink cartridge location

Lubricant

- 29 6040-0858 Special lubricating oil - For carriage slider rod surface - 4oz (113g) plastic bottle of synthetic oil

Motor

- 30 C4713-60092 Carriage motor assembly - Includes cable

Pulley

- 31 C3190-60132 Idler pulley - For main drive belt - On left end of plotter - Includes pulley, shaft and spacer

Spring

- 32 C4699-00016 Encoder spring

Strip

- 33 C4713-60098 Encoder strip assembly (D-size) - Includes encoder strip and encoder strip spring

Electronic Accessories

Cable (Interface)

- 31391A RS-232C serial extension cable - 25 pin (M) to 25 pin (F) - 5.0m (16.4ft) long
- C2990A IEEE-1284 Bi-Tronics parallel cable - DB-25 (M) (type A) to 36 pin (M) Centronics (type B) - 1.8m (6ft) long
NO LONGER SUPPLIED
- 5063-1256 IEEE-1284 Bi-Tronics parallel cable - DB-25 (M) connector (type A) to 36 pin Centronics (M) connector (type B) - 2.0m (6.6ft) long
- C2950A IEEE-1284 Bi-Tronics parallel cable - DB-25 (M) connector (type A) to 36 pin Centronics (M) connector (type B) - 2.0m (6.6ft) long
- 5063-1256 *New Part for C2950A*
- 5063-1257 IEEE-1284 Bi-Tronics parallel cable - DB-25 (M) connector (type A) to 36 pin Centronics (M) connector (type B) - 3.0m (9.8ft) long
- C2951A IEEE-1284 Bi-Tronics parallel cable - DB-25 (M) connector (type A) to 36 pin Centronics (M) connector (type B) - 3.0m (9.8ft) long
- C2991A IEEE-1284 Bi-Tronics parallel cable - DB-25 (M) (type A) to 36 pin (M) Centronics (type B) - 3.0m (10ft) long
NO LONGER SUPPLIED
- 17255M RS-232C serial cable - 25 pin (M) to 25 pin (M) - 1.0m (3.3ft) long
NO LONGER SUPPLIED
- C2913A RS-232C serial cable - 25 pin (M) to 25 pin (F) - 1.2m (3.9ft) long
NO LONGER SUPPLIED
- 17302A RS-232C serial cable - 25 pin (M) to 8 pin (M) DIN - 1.5m (4.9ft) long
NO LONGER SUPPLIED
- 92219M RS-232C serial cable - 25 pin (M) to 9 pin (M) - 1.5m (4.9ft) long
NO LONGER SUPPLIED
- 17355M RS-232C serial cable - 25 pin (M) to 25 pin (M) - 3.0m (9.8ft) long
NO LONGER SUPPLIED
- 24542G RS-232C serial cable - 25 pin (M) to 9 pin (F) - 3.0m (9.8ft) long - Used to connect to HP Vectra and IBM PC/AT compatibles
- 13242G RS-232C cable - 25 pin (M) to 25 pin (M) - 5.0m (16ft) long
NO LONGER SUPPLIED



Electronic Accessories

Firmware

- C4713-60109 Firmware upgrade kit - Upgrades to version A.01.06 - Only for DesignJet 430 with color kit installed
- C6082-60074 Firmware upgrade kit - Upgrades to version A.01.06

Interface (Product)

- J2591A External JetDirect LAN interface module and power module - Has EtherTwist (10Base-T) and ThinLAN (10Base-2) connectors
NO LONGER SUPPLIED
- J3264A External JetDirect 500X token ring interface module - Interfaces up to 3 parallel printers to a token ring (DB-9 or RJ-45) LAN
- J3265A External JetDirect 500X LAN interface module - Interfaces up to 3 parallel printers to an ethernet 10Base-T (RJ-45), 10Base2 (BNC), or 100Base-TX (RJ-45) LAN

Memory (Product)

- C3132A 4MB, 70nS, 36-bit SIMM memory module - For HP LaserJet 4P, 4+, 4V, 5, 5N, 5M, 5P, 5Si
NO LONGER SUPPLIED
- C3146-67901 *New Part for C3132A*
- C3133A 8MB, 70nS, 36-bit SIMM memory module - For HP LaserJet 4P, 4+, 4V, 5, 5N, 5M, 5P, 5Si
NO LONGER SUPPLIED
- C3146-67901 *New Part for C3133A*
- C3146A 16MB, 70nS, 36-bit SIMM memory module upgrade - Includes one SIMM
- C3146-67901 *New Part for C3146A*
- D2297A 16MB, 70nS, 36-bit parity SIMM memory module
NO LONGER SUPPLIED
- D3578A 32MB, 70nS, 36-bit parity SIMM memory module
NO LONGER SUPPLIED

Memory (SIMM)

- C3132-67901 4MB, 70nS, 36-bit parity SIMM memory module
NO LONGER SUPPLIED
- C3146-67901 *New Part for C3132-67901*
- C3133-67901 8MB, 70nS, 36-bit parity SIMM memory module
NO LONGER SUPPLIED
- C3146-67901 *New Part for C3133-67901*
- C3146-67901 16MB SIMM memory module
- D2297-69001 16MB, 70nS, 36-bit SIMM memory module
REQUIRES RETURN OF DEFECTIVE PART
- D2297-63001 *New Part for D2297-69001*
- D3578-69001 32MB, 70nS, 36-bit parity SIMM memory module
REQUIRES RETURN OF DEFECTIVE PART
- D3578-63001 *New Part for D3578-69001*

Module

- J2591-69001 External JetDirect LAN interface module with ethertwist (10Base-T) and ThinLAN (10BASE-2) connectors
- J2593-69001 External JetDirect LAN interface module with Ethertwist (10Base-T) and ThinLAN (10BASE-2) input connectors and 3 parallel (DB-25) output connectors - (part of J2593A)
- J2594-69001 External JetDirect token ring interface module with DB-9 and RJ-45 input connectors and 3 parallel (DB-25) output connectors - (part of J2594A)
REQUIRES RETURN OF DEFECTIVE PART
- J2594-61011 *New Part for J2594-69001*

Power Module

- 0950-3348 Wall mount power supply module (MEI-AH ED12006) - 110-127VAC input, 57-63Hz - 13VDC output, 800mA, 10.4 watts (for use in the United States and Canada) - For models J2590/91/93/94A, J2964A, J3258A/B, J3263/64/65A, J3282B, J4101A/B, J4102A/B



Electronic Accessories

Power Module

0950-3349	Wall mount power supply module (MEI-AH ED12007) - 230VAC input, 47-53Hz - 13VDC output, 800mA, 10.4 watts (for use in Europe and Israel) - For JetDirect/infrared interface models J2590/91/93/94A, J2964A, J3258A/B, J3263/64/65A, J3282B, J4101A/B, J4102A/B
0950-3350	Wall mount power supply module (MEI-AH ED12008) - 220-240VAC input, 47-53Hz - 13VDC output, 800mA, 10.4 watts (for use in the United Kingdom) - For JetDirect/infrared interfaces J2590/91/93/94A, J2964A, J3258A/B, J3263/64/65A, J3282B, J4101A/B, J4102A/B
0950-3351	Wall mount power supply module (MEI-AH ED12009) - 220VAC input, 47-63Hz - 13VDC output, 800mA, 10.4 watts (for use in South Korea) - For JetDirect/infrared interface models J2590/91/93/94A, J2964A, J3258A/B, J3263/64/65A, J3282B, J4101A/B, J4102A/B
0950-3352	Wall mount power supply module (MEI-AH ED12010) - 100VAC input, 47-63Hz - 13VDC output, 800mA, 10.4 watts (for use in Japan) - For JetDirect/infrared interface models J2590/91/93/94A, J2964A, J3258A/B, J3263/64/65A, J3282B, J4101A/B, J4102A/B
0950-3354	Wall mount power supply module (MEI-AH ED12010) - 220-250VAC input, 47-53Hz - 13VDC output, 800mA, 10.4 watts (for use in South Africa) - For JetDirect/infrared interface models J2590/91/93/94A, J2964A, J3258A/B, J3263/64/65A, J3282B, J4101A/B, J4102A/B
9100-5176	Wall mount power supply module (Leader Electronics 48130625HK) - 200V AC input, 48-52Hz - 13VDC output, 625mA (Hong Kong) - For JetDirect Modules and Infrared Interface Models J2590/91/93/94A, J2964A, J3258A/B, J3263/64/65A, J3282B, J4101A/B, J4102A/B
0950-3350	<i>New Part for 9100-5176</i>

Electronics/Power Supply

Front Panel

73 C4713-60091 Front panel assembly - Complete

Module

74 C4713-69203 Electronics module - Contains power supply, main logic board, interface connectors, and fan
REQUIRES RETURN OF DEFECTIVE PART

C4713-60203 *New Part for C4713-69203*

Power Cord

8120-1351	Power cord (Mint Gray) - 17 AWG, 2.3m (7.5ft) long - Has straight (F) receptacle (For 240V in the UK, Hong Kong, Singapore, Malaysia, and Brunei)
8120-1369	Power cord (Mint Gray) - 17 AWG, 2.0m (6.6ft) long - Has straight (F) receptacle (For 240V in Australia, New Zealand, and China)
8120-1689	Power cord (Mint Gray) - 17 AWG, 2.0m (6.6ft) long - Has straight (F) receptacle (For 220V in Europe, Bangladesh, Indonesia, Pakistan, Burma, Sri Lanka, and Vietnam)
8120-1751	Power cord (Black) - 18 AWG, 2.3m (7.5ft) long - Has straight (F) receptacle (For 120V, 10A in the USA, Canada, Chile, Argentina, and Taiwan)
8120-2104	Power cord (Mint Gray) - 2.0m (6.6ft) long - Has straight (F) receptacle (For 220V in Switzerland)
8120-2956	Power cord (Mint Gray) - 2.0m (6.6ft) long - Has straight (F) receptacle (For 220V in Denmark)
8120-4753	Power cord (Flint Gray) - 18 AWG, 2.3m (7.5ft) long - Has straight (F) receptacle (For 100V in Japan)

Other Accessories

CD-ROM (Support)

C7769-90066 DesignJet support CD ROM - Version A.04.01 - Has product information, user's manuals, service manuals, diagnostic software, test drawings, newsletters, and service notes

Cartridge

51640A	Black print cartridge (w/ level indicator) - Prints approx.1120 pages based on 5% density on a 8 inch by 10 inch print area (for USA)
51640AA	Black print cartridge (with level indicator) - Prints approx.1120 pages based on 5% density on a 8 inch by 10 inch print area (for Asia/Pacific)
51640AE	Black print cartridge (with level indicator) - Prints approx.1120 pages based on 5% density on a 8 inch by 10 inch print area (for Europe)
51640AL	Black print cartridge (with level indicator) - Prints approx.1120 pages based on 5% density on a 8 inch by 10 inch print area (for Latin America)



Other Accessories

Cleaning Supplies

C6247A DesignJet cleaning kit - Includes cleaning solution and 20 cleaning rags

Lubricant

88 6040-0858 Special lubricating oil - For carriage slider rod surface - 4oz (113g) plastic bottle of synthetic oil
89 C3190-60155 Grease - For helical gear (Drive roller gear)

Manual

5959-9733 HP-GL/2 & HP RTL reference guide - Programming information, handbook for developers
5959-9734 Comparison guide for HP-GL/2 and RTL peripherals (English)

Manual Kit

5021-0377 HP-GL/2, PCL5 and PJI technical reference manual kit
C4713-60041 Manual kit - Includes quick reference guide, user guide and unpacking/assembly instructions (English)
C4713-60045 Manual kit - Includes quick reference guide, user guide and unpacking/assembly instructions (French)
C4713-60046 Manual kit - Includes quick reference guide, user guide and unpacking/assembly instructions (Spanish)
C4713-60048 Manual kit - Includes quick reference guide, user guide and unpacking/assembly instructions (Japanese)
C4713-60049 Manual kit - Includes quick reference guide, user guide and unpacking/assembly instructions (Portuguese)
C4713-60187 Manual kit - Includes quick reference guide, user guide and unpacking/assembly instructions (Italian)
C6082-60002 Manual kit - Includes quick reference guide, user guide and unpacking/assembly instructions (Korean)
C6082-60003 Manual kit - Includes quick reference guide, user guide and unpacking/assembly instructions (Taiwan)
C6082-60010 Manual kit - Includes quick reference guide, user guide and unpacking/assembly instructions (Simplified Chinese)

Return Kit

5183-5268 Return kit with box and instructions - For returning defective Thermal InkJet (TIJ) 2.5 InkJet cartridges covered under the CREW program - For USA
5184-2833 Return kit with box and instructions - For returning defective Thermal InkJet (TIJ) 2.5 InkJet cartridges covered under the CREW program - For use outside of the USA

Software

C4713-10041 DesignJet 430/450C/455CA Toolbox for Windows 95 (English) - On 3.5-inch floppy disk
C6072-60281 Toolbox and driver software - HP-GL/2 and PJI drivers for Windows 3.1/95/98/NT 4.0 (all DesignJets), and toolbox software for Windows 95/NT 4.0 (Only for DesignJet 430/450C/455CA/1050C/1055CM) - On 3.5-inch 1.44MB floppy disks (English)
C6072-60284 Toolbox and driver software - HP-GL/2 and RTL drivers for Windows 3.1/95/98/NT 4.0 (all DesignJets), and toolbox software for Windows 95/NT 4.0 (Only for DesignJet 430/450C/455CA/1050C/1055CM) - On 3.5-inch 1.44MB floppy disks (German)
C6072-60285 Toolbox and driver software - HP-GL/2 and RTL drivers for Windows 3.1/95/98/NT 4.0 (all DesignJets), and toolbox software for Windows 95/NT 4.0 (Only for DesignJet 430/450C/455CA/1050C/1055CM) - On 3.5-inch 1.44MB floppy disks (French)
C6072-60286 Toolbox and driver software - HP-GL/2 and RTL drivers for Windows 3.1/95/98/NT 4.0 (all DesignJets), and toolbox software for Windows 95/NT 4.0 (Only for DesignJet 430/450C/455CA/1050C/1055CM) - On 3.5-inch 1.44MB floppy disks (Spanish)
C6072-60287 Toolbox and driver software - HP-GL/2 and RTL drivers for Windows 3.1/95/98/NT 4.0 (all DesignJets), and toolbox software for Windows 95/NT 4.0 (Only for DesignJet 430/450C/455CA/1050C/1055CM) - On 3.5-inch 1.44MB floppy disks (Italian)
C6072-60301 HP-GL/2 driver software for AutoCAD - For DOS and Windows 3.1/95/NT 4.0 - On 3.5-inch 1.44MB floppy disks (English)
C6072-60304 HP-GL/2 driver software for AutoCAD - For DOS and Windows 3.1/95/NT 4.0 - On 3.5-inch 1.44MB floppy disks (German)
C6072-60305 HP-GL/2 driver software for AutoCAD - For DOS and Windows 3.1/95/NT 4.0 - On 3.5-inch 1.44MB floppy disks (French)
C6072-60306 HP-GL/2 driver software for AutoCAD - For DOS and Windows 3.1/95/NT 4.0 - On 3.5-inch 1.44MB floppy disks (Spanish)



Other Accessories

Software

C6072-60307 HP-GL/2 driver software for AutoCAD - For DOS and Windows 3.1/95/NT 4.0 - On 3.5-inch 1.44MB floppy disks (Italian)

Training Kit

C4713-60118 Self-paced training kit for DesignJet 430/450C/455CA/488CA - Includes video in PAL format, and CD-ROM containing user's and service manuals

C4713-60119 Self-paced training kit for DesignJet 430/450C/455CA/488CA - Includes video in NTSC format, and CD-ROM containing user's and service manuals

Upgrade Kit

C4718A Color upgrade kit - Includes ink cartridges, firmware SIMM, driver software, carriage label, front panel overlay, and instructions - Adds color capabilities to the DesignJet 430

Other External Parts

Clip

C4699-60072 Cable clip

Cover

119 C4713-00011 SIMM cover plate

120 C4713-40029 Left end cover

121 C4713-60014 Top cover assembly (D-size)

122 C4713-60030 Right end cover

123 C4713-60097 Back cover assembly (D-size)

Deflector

124 C4713-60117 Media deflector with media button - The media deflector in the left to the right side - Includes media load button

Guide

125 C4713-60184 Rollfeed guide kit - Left and right guides mounted under printer - Used to attach rollfeed housings to the printer

Holder

C3190-40052 Holder - For quick reference guide

Keycap

127 C4713-40046 Power switch button/keycap

Label

5961-3524 Serial number label

C4705-00017 Instruction label

Nameplate/Logo

C4713-00013 Nameplate - DesignJet 430

Overlay

C4713-60171 Front panel overlay (Self adhesive) - Shows the function of the front panel buttons and indicator lights (English)

C4713-60172 Front panel overlay (Self adhesive) - Shows the function of the front panel buttons and indicator lights (Korean)

C4713-60173 Front panel overlay (Self adhesive) - Shows the function of the front panel buttons and indicator lights (Taiwanese)

C4713-60174 Front panel overlay (Self adhesive) - Shows the function of the front panel buttons and indicator lights (German)

C4713-60175 Front panel overlay (Self adhesive) - Shows the function of the front panel buttons and indicator lights (French)

C4713-60176 Front panel overlay (Self adhesive) - Shows the function of the front panel buttons and indicator lights (Spanish)

C4713-60177 Front panel overlay (Self adhesive) - Shows the function of the front panel buttons and indicator lights (Italian)

C4713-60178 Front panel overlay (Self adhesive) - Shows the function of the front panel buttons and indicator lights (Japanese)

C4713-60179 Front panel overlay (Self adhesive) - Shows the function of the front panel buttons and indicator lights (Portuguese)

C4713-60180 Front panel overlay (Self adhesive) - Shows the function of the front panel buttons and indicator lights (Chinese)



Other External Parts

Platen

- 141 C4713-60114 Entry Platen Assembly (D-size) - Curved cover/guide that is next to the paper drive (Platen) roller

Other Internal Parts

Cover

- C4713-40042 Primer cover

Cutter

- 143 C4713-60040 Cutter assembly - Mounts on carriage slide rod to the right of the carriage

Primer

- 144 C4713-60023 Primer assembly - Mounted on left side of plotter

Service Station

- 145 C3190-60142 Service station assembly

Spittoon

- 146 C4713-60017 Spittoon assembly - Contains absorbers which hold excess ink from cartridges

Trim

- 147 C4713-40022 Right trim assembly - At right of entry platen

- 148 C4713-40023 Left trim assembly - At left of entry platen

Paper Drive Parts

Cable

- 174 C3180-60012 Ribbon cable - Has 5 pin (F) connectors - 16.3cm (6.4 inches) long

Lubricant

- 175 C3190-60155 Grease - For helical gear (Drive roller gear)

Motor/Gear

- 176 C4713-60094 Paper (X-axis) drive motor (Includes helical drive gear) - NOTE: motor and gear are only sold as an assembly

Roller

- 177 C4699-60042 Paper drive (Platen) roller assembly - Long gear driven roller - Includes roller and mark encoder

Paper and Other Media

Film (Clear)

- C3876A Clear film (4 mil) - 61cm (24in) x 22.9m (75ft) roll

Film (Matte)

- 51642C Polyester matte film - B size (41 x 57-inches) - 40 sheets
NO LONGER SUPPLIED

- 51642A *New Part for 51642C*

- 51642F Polyester matte film - A3 size (29.7cm x 42.0cm) - 40 sheets
NO LONGER SUPPLIED

- 51642G Polyester matte film - B size (22 x 34-inches) - 40 sheets
NO LONGER SUPPLIED

- 51642A *New Part for 51642G*

- 51642H Polyester matte film - A1 size (59.4cm x 84.1cm) - 40 sheets
NO LONGER SUPPLIED

- 51642A Polyester matte film - 61cm (24in) x 36.6m (120ft) roll

- 51642J Polyester matte film - Architectural D size (24 x 36-inches) - 40 sheets
NO LONGER SUPPLIED

- 51642A *New Part for 51642J*



Paper and Other Media

Paper (Bright White)

- C1860A Bright white InkJet paper - 61cm (24in) x 45.7m (150ft) roll
- C6035A Bright white InkJet paper - 61cm (24in) x 45.7m (150ft) roll

Paper (Coated)

- C1831A Coated paper - D size (22 x 34-inches) - 100 sheets
NO LONGER SUPPLIED
- C1835A Coated paper - A1 size (59.4cm x 84.1cm) - 125 sheets
NO LONGER SUPPLIED
- C1833A Coated paper - Architectural D size (24 x 36-inches) - 100 sheets
NO LONGER SUPPLIED
- C3880A Heavyweight coated paper (6 mil) - 61cm (24in) x 30.5m (100ft) roll
NO LONGER SUPPLIED
- C6019B Coated paper (98 gsm) - 61cm (24in) x 45.7m (150ft) roll (USA, Canada, and Latin America)
- C6021B Heavyweight coated paper - 61cm (24in) x 30.5m (100ft) roll (USA, Canada, and Latin America)
NO LONGER SUPPLIED
- C6029B Heavyweight coated paper - 61cm (24in) x 30.5m (100ft) roll (Europe, Asia/Pacific, and Japan)
NO LONGER SUPPLIED
- C6029C Heavyweight coated paper - 61cm (24in) x 30.5m (100ft) roll - For regular or UV resistant ink

Paper (Tracing)

- C3869A Natural tracing paper - 61cm (24in) x 45.7m (150ft) roll

Paper (Translucent)

- C3891A Translucent bond paper - D size (22 x 34-inches) - 100 sheets
NO LONGER SUPPLIED
- C3893A Translucent bond paper - A1 size (59.4cm x 84.1cm) - 125 sheets
NO LONGER SUPPLIED
- C3860A Translucent bond paper - 61cm (24in) x 45.7m (150ft) roll
- C3896A Translucent bond paper - Architectural D size (24 x 36-inches) - 100 sheets
NO LONGER SUPPLIED

Vellum

- C3864A Vellum (75 gsm) - D size (22 x 34-inches), 20 lb, 3.0 mil - 100 sheets
NO LONGER SUPPLIED
- C3862A Vellum - 61cm (24in) x 45.7m (150ft) roll
- C3866A Vellum (75 gsm) - Architectural D size (24 x 36-inches), 20 lb, 3.0 mil - 100 sheets
NO LONGER SUPPLIED
- C3862A *New Part for C3866A*

Pincharm Assembly Parts

Bushing

- 178 C1633-40082 Pincharm spring retaining bushing

Cam

- 179 C2847-20005 Pinch arm bar cam (D-size) - Long rod from left to right side of printer - Used to lift the pinch arms
- 180 C3190-60149 Left cam journal - Mounted on left end of pincharm shaft

Handle

- 181 C4713-40025 Pinchwheel manual lift handle - Paper loading lever

Lever Assembly

- 182 C4713-60116 Right cam journal assembly - 2 levers and a metal rod

Pincharm

- 183 C4699-60081 Pincharm assembly - Curved black plastic plate with 4 small rubber rollers (Does NOT include spring or bushing)



Pincharm Assembly Parts

Sensor

184 C4713-60034 Pincharm sensor assembly

Spring

185 C1633-80005 Compression spring between pincharm assembly and bushing

186 C4713-80003 Pincharm spring

Roll Feed Assembly Parts

End Cap

C3174-40011 Spindle end cap (2in)

Extension

188 C4713-60038 Media extension kit - Includes 3 extensions

Guide

189 C4713-60184 Rollfeed guide kit - Left and right guides mounted under printer - Used to attach rollfeed housings to the printer

Hub

C4713-60120 Spindle hub kit, small size - Includes 2 small hubs and install guide - (China)

Rollfeed Kit

C4717A D/A1 rollfeed kit - Includes left and right housing, hubs, spindle, end caps, screwdriver, and screws

Spindle

C4717-60005 D/A1 rollfeed spindle rod assembly - Includes spindle, hubs, and end caps

Spindle Kit

C6238A D/A1 rollfeed spindle rod assembly for DesignJet 4xx Series - Includes spindle, hubs, and end caps

Stand Parts

Bin

194 C4704-60073 Media bin arm (Loop assembly)

C4713-60147 *New Part for C4704-60073*

Cross-Brace

195 C6069-60002 Cross-brace (D-size) - Main structure that extends between stand legs

Foot

196 C4704-60086 Foot assembly (includes casters)

Hardware Kit

197 C4704-60095 Hardware kit for printer stand - Includes screwdriver, screws, washers, and media bin retaining clips

Leg

198 C4704-60075 Leg assembly - Side support for the plotter - Does NOT include the foot assembly

Stand

C6069A HP DesignJet Stand (D/A1) - Includes legs, casters, brace, wire form paper deflector, and media bin - For D/A1 size DesignJets

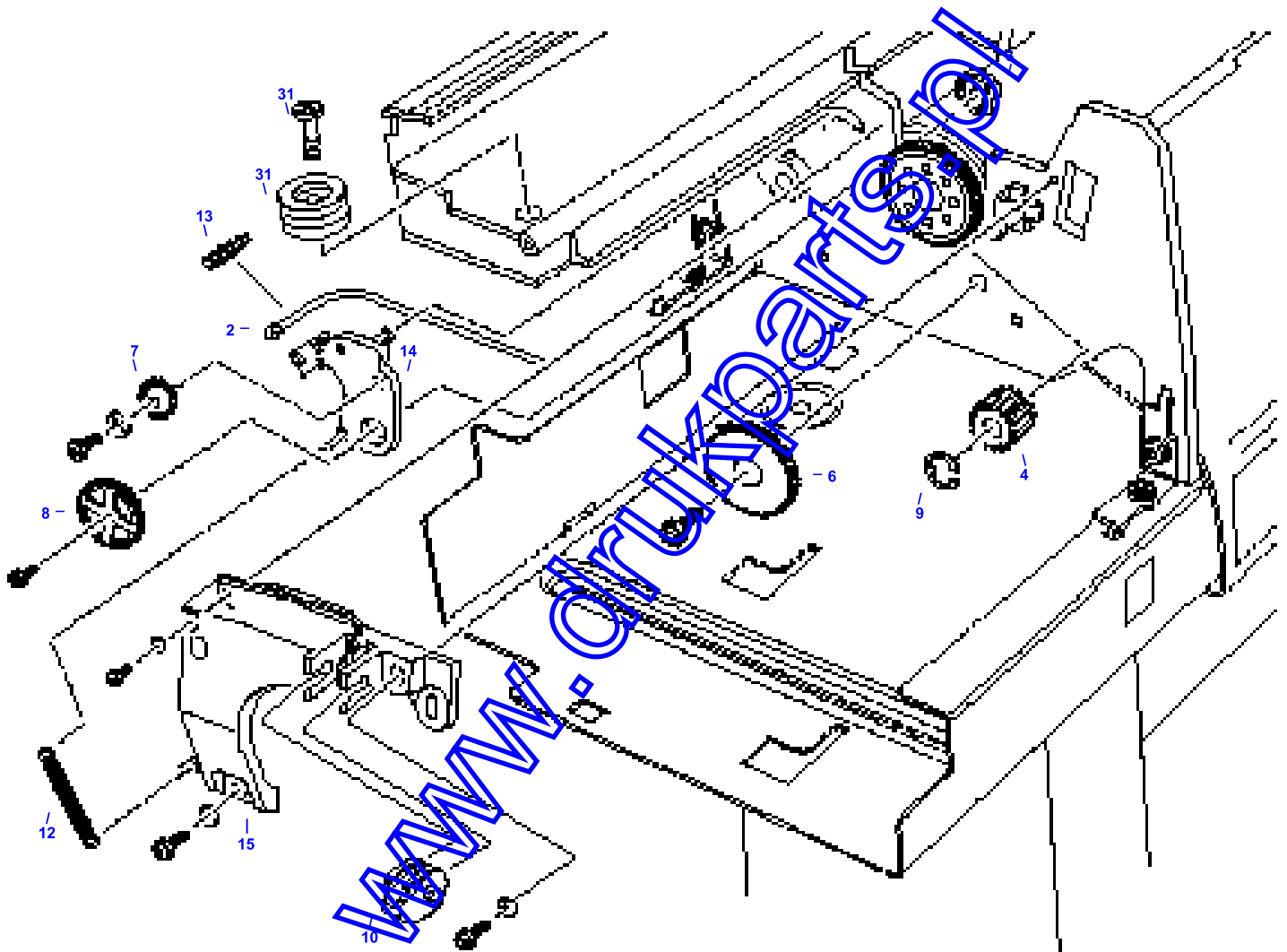
Strip

200 C6069-40001 Capping strips (D-size) - Two strips snap together on the ends of the bin arms - Package contains 2 strips

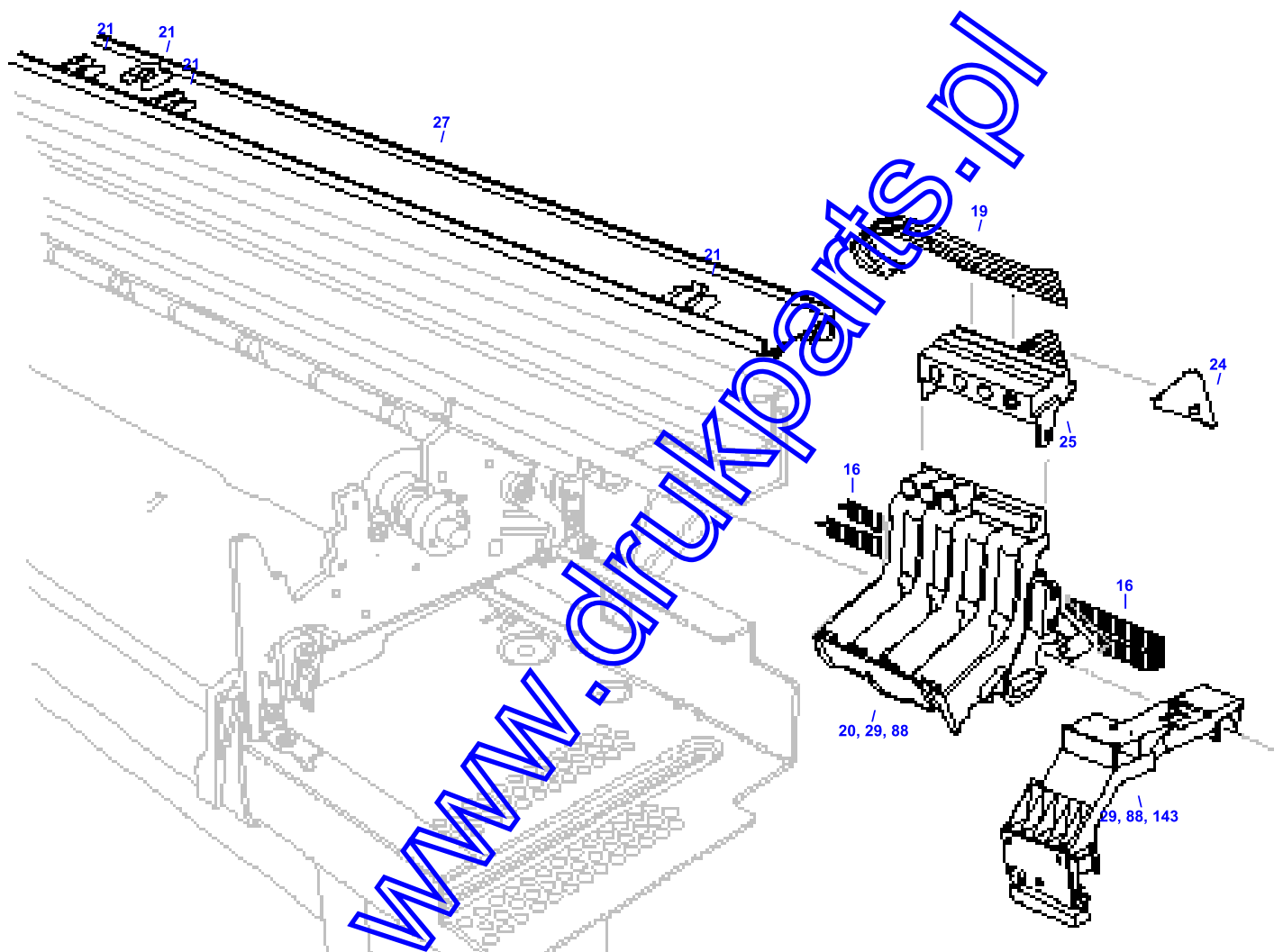
Support

201 C4713-60147 Media bin support kit (D-size) - Supports media bin arms - Includes two supports and two capping strips that snap together on the ends of the bin arms

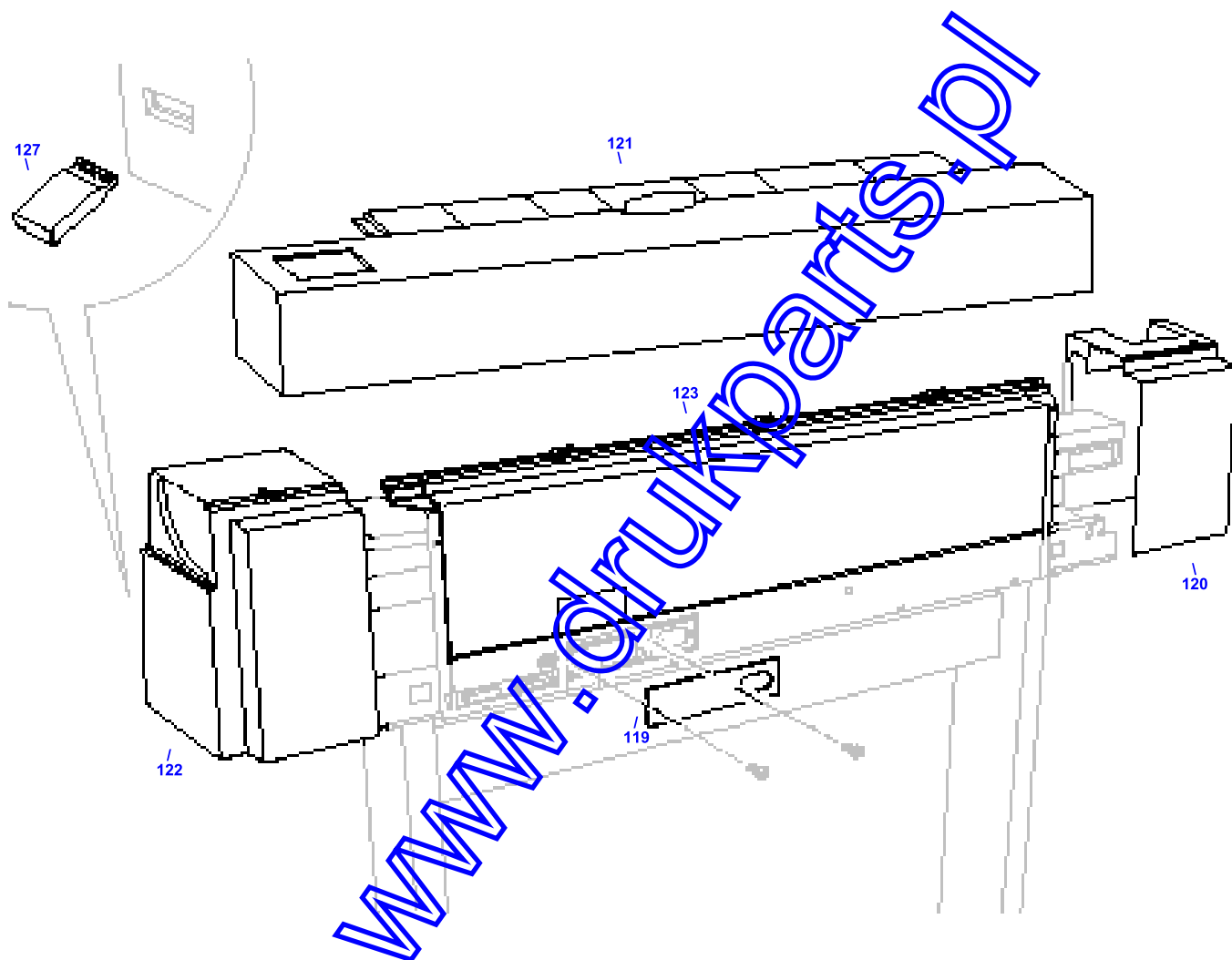
Bail Mechanism, Overdrive Mechanism



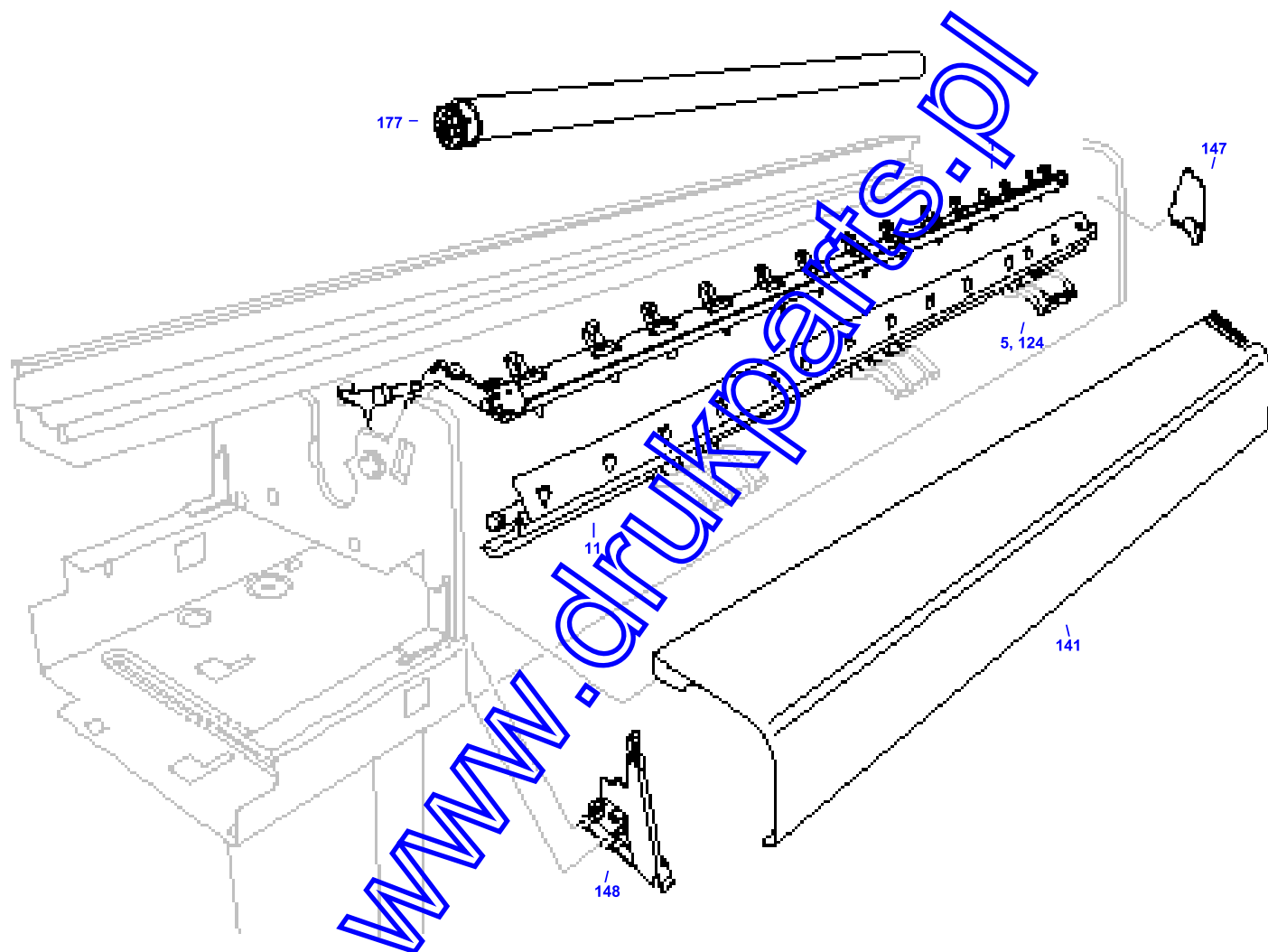
Carriage Assembly, Cutter Assembly, Trailing Cable



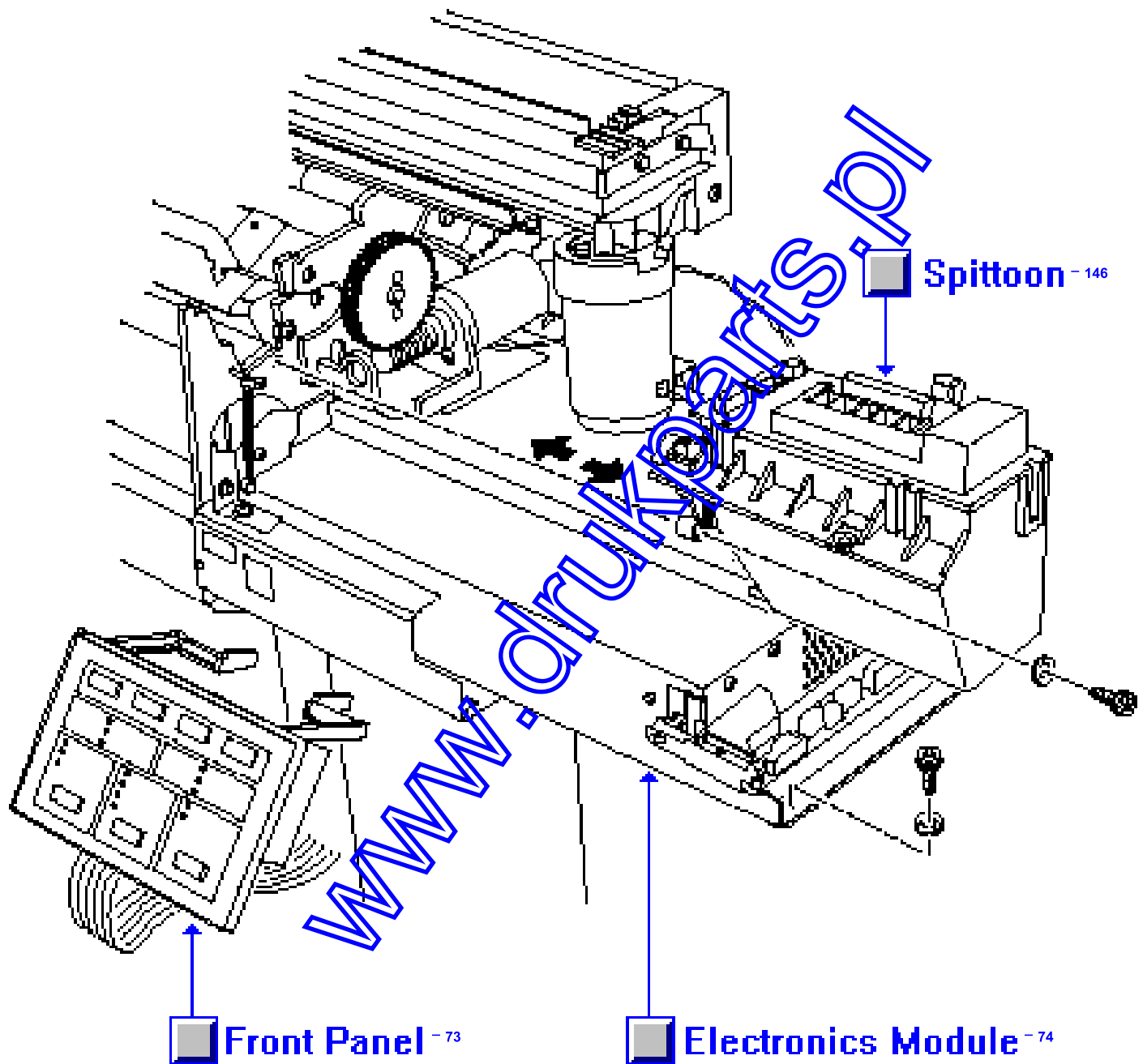
Covers



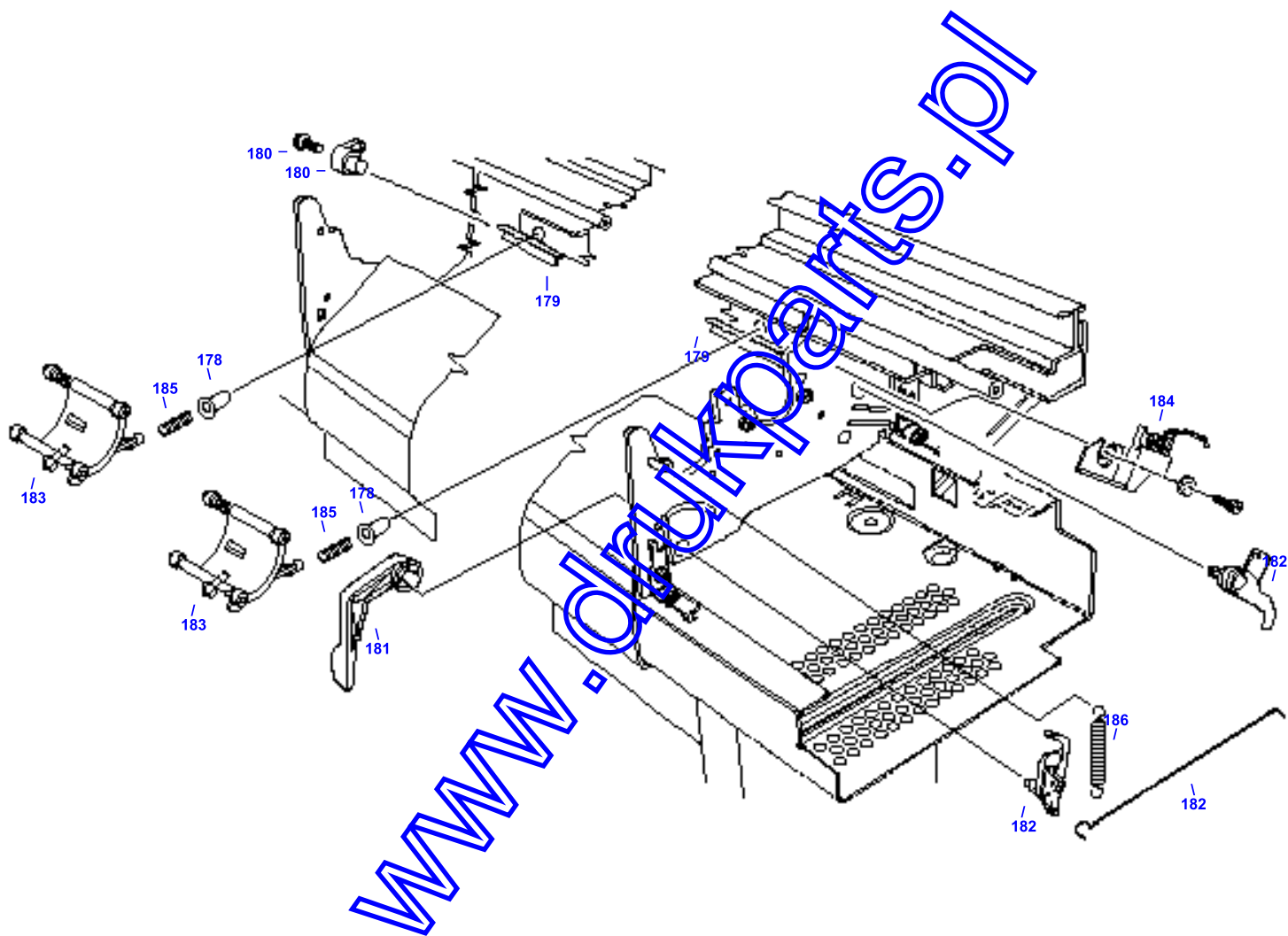
Entry Platen, Drive Roller, Bail Assy, Overdrive Assy



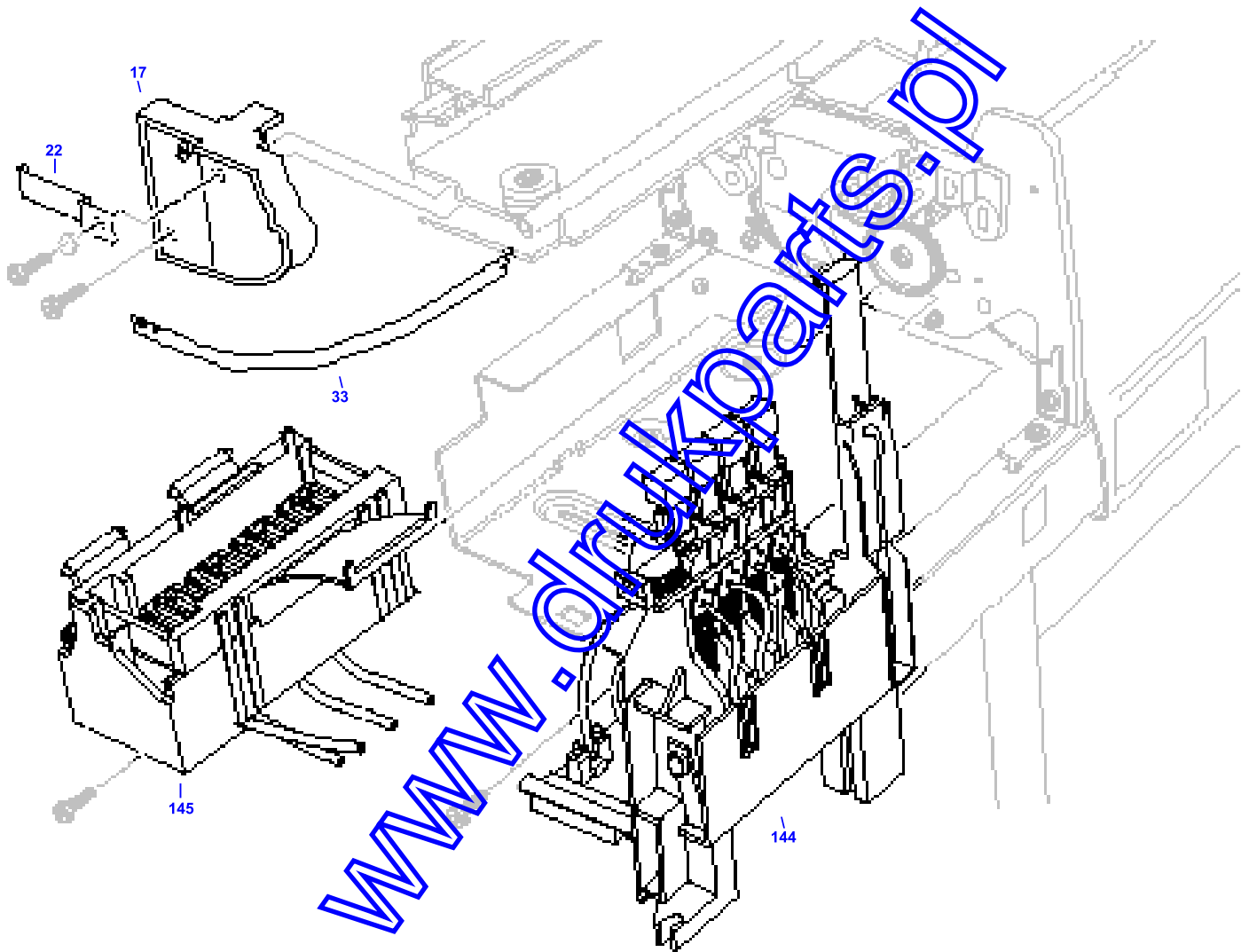
Front Panel, Electronics Module, Spittoon



Pincharm Assembly

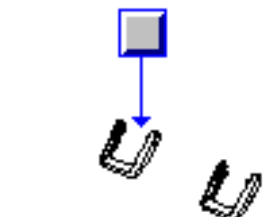


Primer Assembly, Service Station Assembly

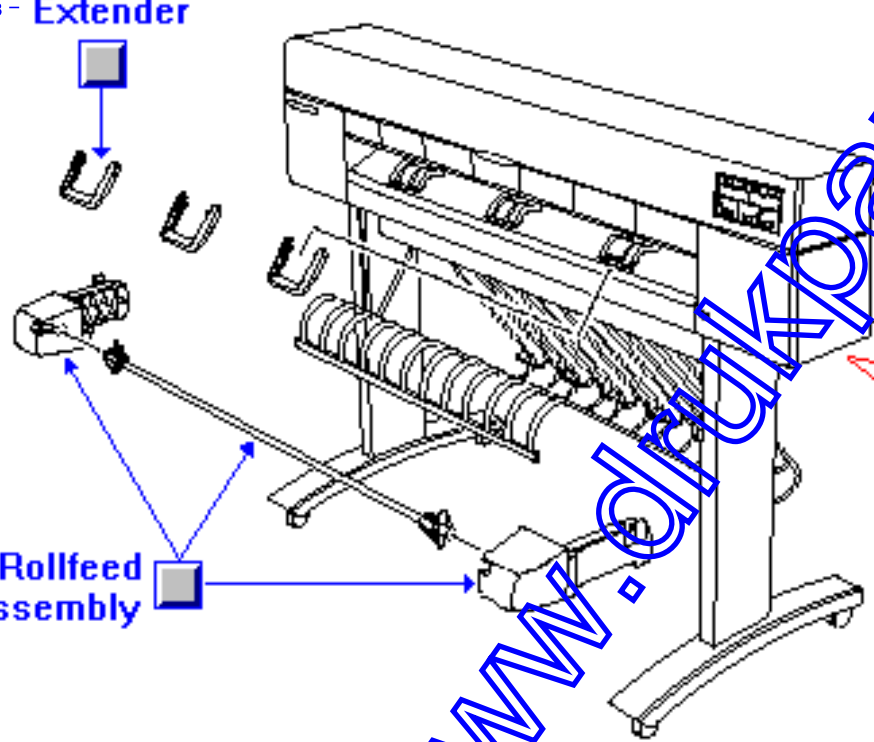


Rollfeed Assembly and Media Extenders

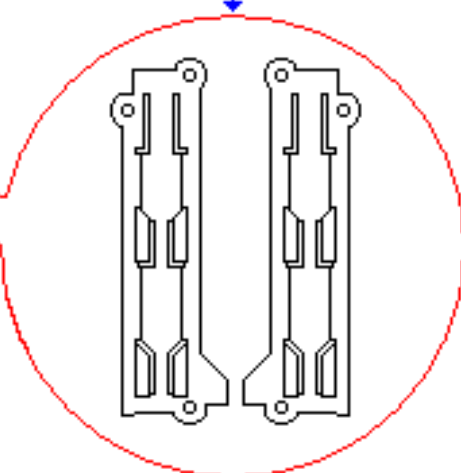
188 - Extender



Rollfeed Assembly

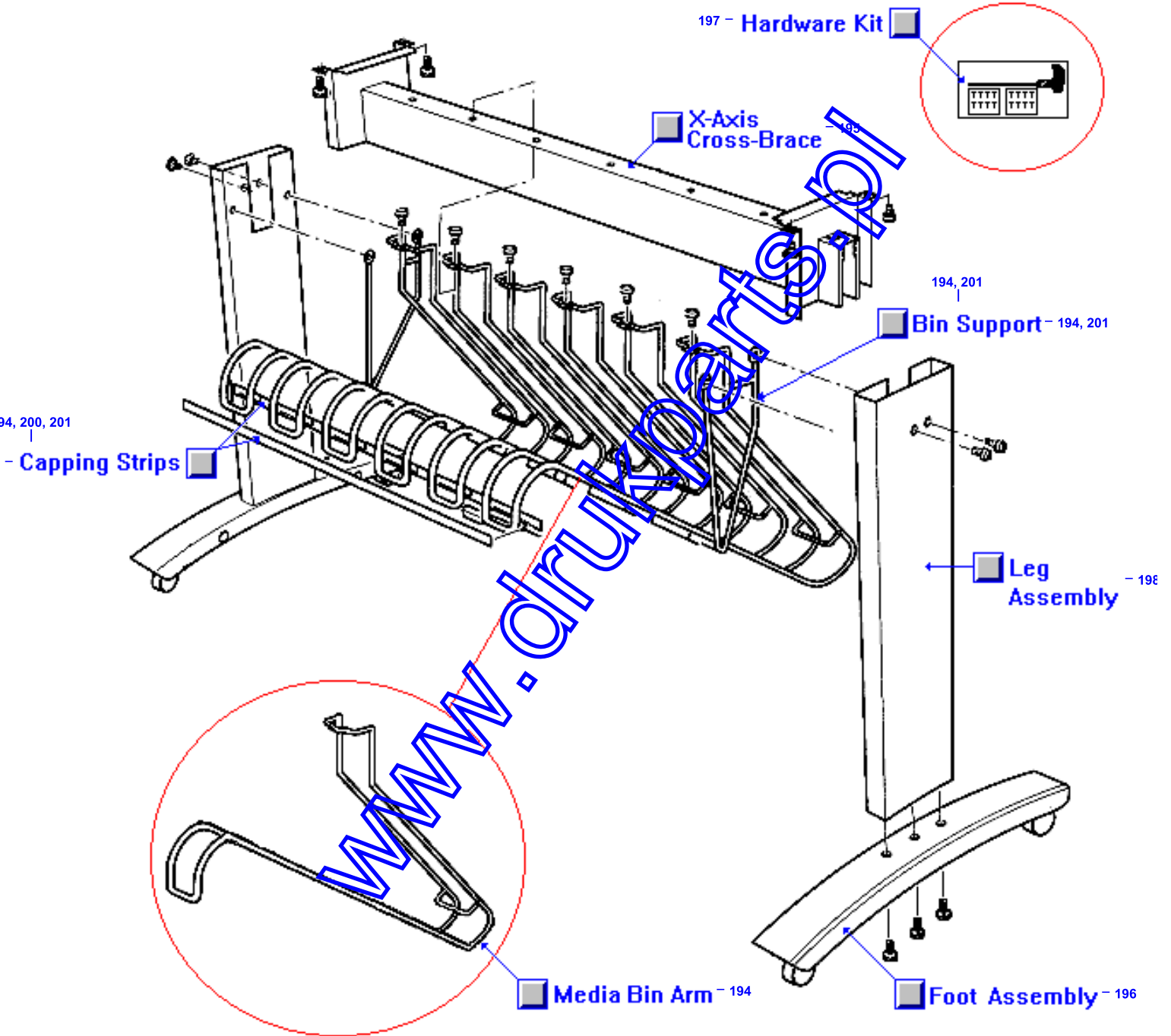


185, 189 - Rollfeed Guide

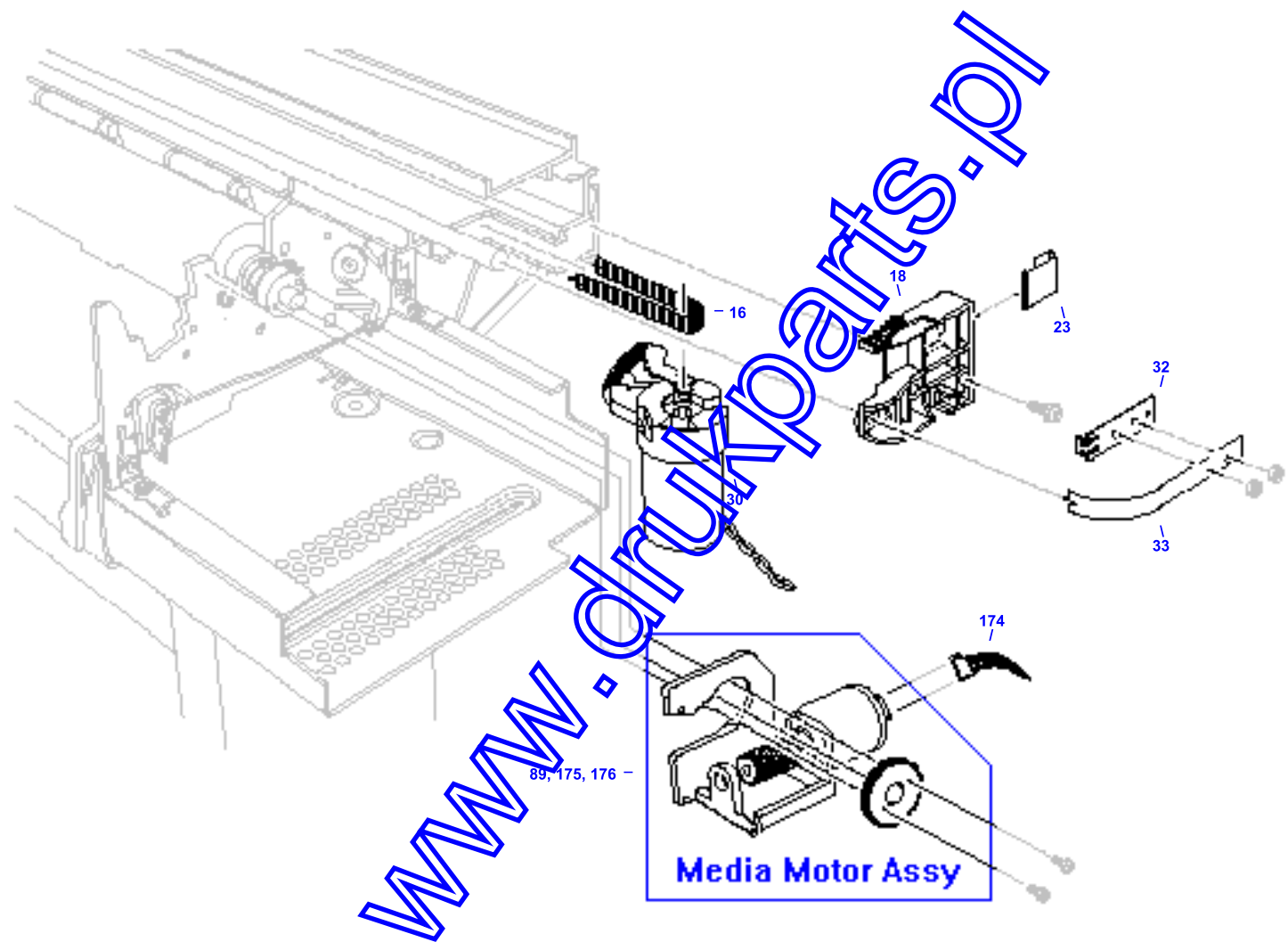


www.drukparts.pl

Stand Assembly



X and Y Axis Motors, Encoder Strip





HP Parts Reference Guide

<http://www.hp.com/go/parts>

HP PartSurfer

<http://partsurfer.hp.com>

HP Parts Ordering Information

<http://www.hp.com/go/hpparts>

HP Parts Questions/Comments

<http://partsurfer.hp.com/contactus.htm>

www.drukparts.pl