



Carriage Drive Parts

Belt

1 C4723-60235 Carriage (Y-axis) belt - Drives the carriage assembly

Bracket

2 C4704-00005 Y-axis motor bracket - Includes edge wire saddle - Holds Y-Axis Motor

Bushing

3 C4704-40084 Rear slider rod bushing (Spring loaded) - Slides into the Rear Center of the Carriage Assembly

Cable

4 C4723-60237 Carriage assembly trailing cable - Three ribbon cables bundled together - 2.4m (7.7ft) long

Carriage Kit

5 C4723-69096 Carriage assembly - Includes carriage assembly, line sensor, encoder, rear bushing, calibration pen, digitizing sight, gauges - Trailing cable and cable clamp not included
REQUIRES RETURN OF DEFECTIVE PART

C4723-60096 *New Part for C4723-69096*

Clamp

6 C4704-40085 Trailing cable clamp - Secures the trailing cable to the carriage assembly

Cover

7 C4704-40080 Encoder strip roof

8 C4704-60117 Line sensor lens cover

Ferrite Assembly

9 9170-1687 Ferrite core - Installed on Y-AXIS motor cable

Ground Strap

10 C4704-00016 Encoder ground strap - Provides ground to end of encoder strip

11 C4704-00035 Ground strap - Attached to Y-AXIS bracket

Motor

12 C4723-60277 Carriage (Y-Axis) motor assembly - Drives carriage belt - Includes motor, motor holder, and cable

Pulley

13 C4704-60020 Idler pulley - For carriage (Y-axis) belt - On right end of plotter

Saddle

14 0460-2536 Edge wire saddle for Y-axis bracket

Sensor

C4723-60096 Line sensor - Detects paper width and skew - Measures calibration accuracy and printhead alignment

Spring

16 C1633-80014 Compression spring - For the rear bushing on the carriage

17 C4699-00016 Encoder spring

Strip

18 C4723-60232 Encoder strip - Used to determine carriage position

Tensioner

19 C4723-60063 Y-axis tensioner assembly - Applies tension to carriage belt - Includes wedge, tensioner spring, and housing

Electronic Accessories

Cable (Interface)

5063-1256 IEEE-1284 Bi-Tronics parallel cable - DB-25 (M) connector (type A) to 36 pin Centronics (M) connector (type B) - 2.0m (6.6ft) long

5063-1257 IEEE-1284 Bi-Tronics parallel cable - DB-25 (M) connector (type A) to 36 pin Centronics (M) connector (type B) - 3.0m (9.8ft) long

92215S RS-422 serial cable - 8 pin (M) to 8 pin (M) - 2.0m (6.6ft) long - For connecting Apple Macintosh with LocalTalk/serial connector



Electronic Accessories

Cable (Interface)

C2950A	IEEE-1284 Bi-Tronics parallel cable - DB-25 (M) connector (type A) to 36 pin Centronics (M) connector (type B) - 2.0m (6.6ft) long
5063-1256	<i>New Part for C2950A</i>
C2951A	IEEE-1284 Bi-Tronics parallel cable - DB-25 (M) connector (type A) to 36 pin Centronics (M) connector (type B) - 3.0m (9.8ft) long
C2990A	IEEE-1284 Bi-Tronics parallel cable - DB-25 (M) (type A) to 36 pin (M) Centronics (type B) - 1.8m (6ft) long NO LONGER SUPPLIED
C2991A	IEEE-1284 Bi-Tronics parallel cable - DB-25 (M) (type A) to 36 pin (M) Centronics (type B) - 3.0m (10ft) long NO LONGER SUPPLIED

Interface (Product)

J4100A	JetDirect 400N modular input/output (MIO) - Internal print server - Provides 10/100Base-T or 10Base-2 network connection using RJ45 or BNC connectors
--------	---

Memory (Product)

C6229A	4MB SIMM memory module - For DesignJet CP printer NO LONGER SUPPLIED
C6230A	8MB SIMM memory module - For DesignJet CP printer NO LONGER SUPPLIED
C6231A	16MB SIMM memory module - For DesignJet 400, 700, CP series printers NO LONGER SUPPLIED
C6232A	32MB SIMM memory module upgrade - For DesignJet 400, 700, CP series printers

Memory (SIMM)

32	1818-6171	4MB EDO (Extended Data Output) DRAM SIMM memory module
33	1818-6172	8MB EDO (Extended Data Output) DRAM SIMM memory module NO LONGER SUPPLIED
34	C4723-60263	8MB EDO (Extended Data Output) DRAM SIMM memory module
35	C4723-60264	16MB, 60nS EDO (Extended Data Output) DRAM SIMM memory module

Electronics/Power Supply

Cable

36	C4704-60021	Hard drive power cable - Has 4 pin (F) connectors - 47.6cm (18.8 inches) long
37	C4704-60022	Ribbon cable for one IDE drive - 40 pin (F) connector to 40 pin (F) connector - 31.8cm (12.5 inches) long
38	C4723-60025	Ribbon cable assembly with ferrite - Has 28 pin (F) connectors - 1.7m (5.6ft) long
39	C4723-60237	Carriage assembly trailing cable - Three ribbon cables bundled together - 2.4m (7.7ft) long

Carriage Kit

40	C4723-69096	Carriage assembly - Includes carriage assembly, line sensor, encoder, rear bushing, calibration pen, digitizing sight, gauges - Trailing cable and cable clamp not included REQUIRES RETURN OF DEFECTIVE PART
	C4723-60096	<i>New Part for C4723-69096</i>

Drive

41	C4724-69021	4.3GB hard disk drive REQUIRES RETURN OF DEFECTIVE PART
	C4724-60021	<i>New Part for C4724-69021</i>

Firmware

42	C4723-69294	Firmware SIMM kit (Revision A.04.08) - Mounts in the electronics module - NOTE: this is not a postscript SIMM REQUIRES RETURN OF DEFECTIVE PART
	C4723-60294	<i>New Part for C4723-69294</i>



Electronics/Power Supply

Front Panel

43 C4704-60255 Front (Control) panel and cable assembly - Includes function buttons and display

Memory (SIMM)

- 44 1818-6171 4MB EDO (Extended Data Output) DRAM SIMM memory module
- 45 1818-6172 8MB EDO (Extended Data Output) DRAM SIMM memory module
NO LONGER SUPPLIED
- 46 C4723-60263 8MB EDO (Extended Data Output) DRAM SIMM memory module
- 47 C4723-60264 16MB, 60nS EDO (Extended Data Output) DRAM SIMM memory module

Module

- 48 C4723-69114 Electronics module - Includes power supply, fan, and main board
REQUIRES RETURN OF DEFECTIVE PART
- C4723-60114 *New Part for C4723-69114*

Motor

49 C4723-60040 Bail motor

PC Board

50 C4704-60009 Refill interconnect board

Power Cord

- 8120-0698 Power cord (Black) - 18 AWG, 2.3m (7.5ft) long - Has straight (F) receptacle (For 220V/240V in the USA and Canada)
- 8120-1378 Power cord (Jade Gray) - 18 AWG, 2.3m (7.5ft) long - Has straight (F) receptacle (For 120V in USA, Canada, Latin America, Korea, Taiwan, Thailand, Spain, Brazil, and Vietnam)

RIP Server

- C6084-69001 Raster image processor server assembly - External unit used to improve print speed and provide networking for a DesignJet large format printer - Not for Japan
- C6084-69002 Raster image processor server assembly - External unit used to improve print speed and provide networking for a DesignJet large format printer - Kanji version for Japan
REQUIRES RETURN OF DEFECTIVE PART
- C6084-60002 *New Part for C6084-69002*

Sensor

- 55 C4704-60029 Right end cover and window closed sensors - Includes cable and connector
- 56 C4704-60052 Pincharm sensor
- 57 C4704-60058 Left end cover sensor - Includes cable and connector
- 58 C4704-60195 Media sensor assembly - Includes, edge measuring and secondary levers, media sensor and holder
- C4723-60096 Line sensor - Detects paper width and skew - Measures calibration accuracy and printhead alignment

Switch

- 60 C4704-60056 Power switch - Includes cable
- 61 C4704-60261 Stand-by switch assembly
- 62 C4723-60017 Media load switch assembly

External Case Parts

Cover

- C4704-00004 MIO (Modular input/output) cover
- 64 C4704-00033 SIMM slot cover
- 65 C4704-40057 Electronics module left cover
- 66 C4704-40058 Electronics module right cover
- 67 C4704-60274 Electronics module cover
- 68 C4723-00010 Rear cover
- 69 C4723-20008 Electronics module center cover



External Case Parts

Cover

- 70 C4723-60115 Right end cover - Has cut outs for the control panel
- 71 C4723-60116 Left end cover

Cross-Brace

- 72 C4723-60077 Cross-brace - Main structure that extends between stand legs

Foot

- 73 C4723-60086 Foot assembly (includes casters)

Hardware Kit

- 74 C4723-60095 Hardware kit - Includes screwdriver and screws for printer stand

Holder

- 75 C4704-60218 Quick reference holder pocket - Holds quick reference guides and media knife

Leg

- 76 C4704-60075 Leg assembly - Side support for the plotter - Does NOT include the foot assembly

Overlay

- C4723-60201 Front panel overlay - Shows the function of the front panel buttons and indicator lights (English)
- C4723-60202 Front panel overlay - Shows the function of the front panel buttons and indicator lights (Korean)
- C4723-60203 Front panel overlay - Shows the function of the front panel buttons and indicator lights (Taiwanese)
- C4723-60204 Front panel overlay - Shows the function of the front panel buttons and indicator lights (German)
- C4723-60205 Front panel overlay - Shows the function of the front panel buttons and indicator lights (French)
- C4723-60206 Front panel overlay - Shows the function of the front panel buttons and indicator lights (Spanish)
- C4723-60207 Front panel overlay - Shows the function of the front panel buttons and indicator lights (Italian)
- C4723-60208 Front panel overlay - Shows the function of the front panel buttons and indicator lights (Japanese)
- C4723-60209 Front panel overlay - Shows the function of the front panel buttons and indicator lights (Portuguese)
- C4723-60210 Front panel overlay - Shows the function of the front panel buttons and indicator lights (Chinese)

Sensor

- 87 C4723-69071 Take-up reel sensor assembly
REQUIRES RETURN OF DEFECTIVE PART
- C4723-60071 *New Part for C4723-69071*

Spindle

- 88 C4723-60064 Take-up reel spindle assembly

Support

- 89 C4723-60072 Take-up reel left hand support assembly
- 90 C6246-60009 Take-up reel right hand support assembly

Tray

- 91 C4723-60084 Plotter stand tray assembly - Mounted between the feet of plotter

Tube Kit

- 92 C4723-60060 Media weight and core kit for the take-up reel

Window

- 93 C4723-60236 Lift-up viewing window

Optional Interfaces

Interface (Product)

- J2552B LAN & LocalTalk interface - Has EtherTwist (10Base-T) , ThinLAN (10Base-2) , and LocalTalk (DIN-8) connectors
NO LONGER SUPPLIED
- J2555B Token ring LAN interface board - DB-9 and RJ-45 connectors
NO LONGER SUPPLIED



Optional Interfaces

Interface (Product)

J2590A	External JetDirect LAN interface module with RJ-45 connector for EtherTwist (10Base-T) or 100VG/802.12 input and 3 parallel (DB-25) output connectors NO LONGER SUPPLIED
J2591A	External JetDirect LAN interface module and power module - Has EtherTwist (10Base-T) and ThinLAN (10Base-2) connectors NO LONGER SUPPLIED
J3264A	External JetDirect 500X token ring interface module - Interfaces up to 3 parallel printers to a token ring (DB-9 or RJ-45) LAN
J3265A	External JetDirect 500X LAN interface module - Interfaces up to 3 parallel printers to an ethernet 10Base-T (RJ-45), 10Base2 (BNC), or 100Base-TX (RJ-45) LAN

Module

J2590-69001	External JetDirect LAN interface module with RJ-45 connector for ethertwist (10Base-T) or 100VG/802.12 input and 3 parallel (DB-25) output connectors REQUIRES RETURN OF DEFECTIVE PART
J2590-61011	<i>New Part for J2590-69001</i>
J2591-69001	External JetDirect LAN interface module with ethertwist (10Base-T) and ThinLAN (10BASE-2) connectors
J2593-69001	External JetDirect LAN interface module with Ethertwist (10Base-T) and ThinLAN (10BASE-2) input connectors and 3 parallel (DB-25) output connectors - (part of J2593A)
J2594-69001	External JetDirect token ring interface module with DB-9 and RJ-45 input connectors and 3 parallel (DB-25) output connectors - (part of J2594A) REQUIRES RETURN OF DEFECTIVE PART
J2594-61011	<i>New Part for J2594-69001</i>

PC Board (Interface)

J2552-69013	LAN and LocalTalk interface - EtherTwist (10Base-T), ThinLAN (10Base-2), and LocalTalk (DIN-8) connectors
J2555-69013	Token ring LAN interface board - DB-9 and RJ-45 connectors

Other Accessories

CD-ROM (Support)

C7769-90066	DesignJet support CD ROM - Version 1.04.01 - Has product information, user's manuals, service manuals, diagnostic software, test drawings, newsletters, and service notes
-------------	---

Cleaning Supplies

C6247A	DesignJet cleaning kit - Includes cleaning solution and 20 cleaning rags
--------	--

Humidor

C6236A	DesignJet CP ink system storage container - Holds printheads and printhead cleaners when not in use
--------	---

Ink System Return Kit

5183-5283	Return kit (Box and instructions) - For returning defective large format printer ink systems covered under CREW program
-----------	---

Ink and Printhead

C1806A	Black ink system - Includes print head, print head cleaner and ink cartridge
C1807A	Cyan ink system - Includes print head, print head cleaner and ink cartridge
C1808A	Magenta ink system - Includes print head, print head cleaner and ink cartridge
C1809A	Yellow ink system - Includes print head, print head cleaner and ink cartridge
C1892A	Black UV ink system - Includes print head, print head cleaner and ink cartridge
C1893A	Cyan UV ink system - Includes print head, print head cleaner and ink cartridge
C1894A	Magenta UV ink system - Includes print head, print head cleaner and ink cartridge
C1895A	Yellow UV ink system - Includes print head, print head cleaner and ink cartridge



Other Accessories

Kit

- C4723-60141 Preventive maintenance kit - Contains line sensor cover, encoder strip, Y-AXIS pulley, belt, motor, cutter, silicon grease, plastic surface cleaner, synthetic oil and wipes
- C4723-60238 Adjustment kit - Includes instructions, empty cartridge, digitizing sight (magnifier) and gauge

Lubricant

- 6040-0855 Synthetic oil - 4oz (113g) plastic bottle

Manual

- 5959-9733 HP-GL/2 & HP RTL reference guide - Programming information, handbook for developers
- 5959-9734 Comparison guide for HP-GL/2 and RTL peripherals (English)

Manual Kit

- C4724-60011 DesignJet 3000CP/3500CP manual kit - Includes assembly instructions, setup guide, user's guide, quick reference guide and network connection guide (English)

Software

- C6072-60281 Toolbox and driver software - HP-GL/2 and RTL drivers for Windows 3.1/95/98/NT 4.0 (all DesignJets), and toolbox software for Windows 95/NT 4.0 (Only for DesignJet 430/450C/455CA/1050C/1055CM) - On 3.5-inch 1.44MB floppy disks (English)
- C6072-60284 Toolbox and driver software - HP-GL/2 and RTL drivers for Windows 3.1/95/98/NT 4.0 (all DesignJets), and toolbox software for Windows 95/NT 4.0 (Only for DesignJet 430/450C/455CA/1050C/1055CM) - On 3.5-inch 1.44MB floppy disks (German)
- C6072-60285 Toolbox and driver software - HP-GL/2 and RTL drivers for Windows 3.1/95/98/NT 4.0 (all DesignJets), and toolbox software for Windows 95/NT 4.0 (Only for DesignJet 430/450C/455CA/1050C/1055CM) - On 3.5-inch 1.44MB floppy disks (French)
- C6072-60286 Toolbox and driver software - HP-GL/2 and RTL drivers for Windows 3.1/95/98/NT 4.0 (all DesignJets), and toolbox software for Windows 95/NT 4.0 (Only for DesignJet 430/450C/455CA/1050C/1055CM) - On 3.5-inch 1.44MB floppy disks (Spanish)
- C6072-60287 Toolbox and driver software - HP-GL/2 and RTL drivers for Windows 3.1/95/98/NT 4.0 (all DesignJets), and toolbox software for Windows 95/NT 4.0 (Only for DesignJet 430/450C/455CA/1050C/1055CM) - On 3.5-inch 1.44MB floppy disks (Italian)
- C6072-60301 HP-GL/2 driver software for AutoCAD - For DOS and Windows 3.1/95/NT 4.0 - On 3.5-inch 1.44MB floppy disks (English)
- C6072-60304 HP-GL/2 driver software for AutoCAD - For DOS and Windows 3.1/95/NT 4.0 - On 3.5-inch 1.44MB floppy disks (German)
- C6072-60305 HP-GL/2 driver software for AutoCAD - For DOS and Windows 3.1/95/NT 4.0 - On 3.5-inch 1.44MB floppy disks (French)
- C6072-60306 HP-GL/2 driver software for AutoCAD - For DOS and Windows 3.1/95/NT 4.0 - On 3.5-inch 1.44MB floppy disks (Spanish)
- C6072-60307 HP-GL/2 driver software for AutoCAD - For DOS and Windows 3.1/95/NT 4.0 - On 3.5-inch 1.44MB floppy disks (Italian)
- C6071-60368 ZEHRaster software for UNIX - Allows TIFF and JPEG printing on DesignJet 700 series, 1000 series, and CP series (Japanese)
- C7779-60040 ZEHRaster software for UNIX - Allows TIFF and JPEG printing on DesignJet 700 series, 1000 series, and CP series (Chinese)
- C7779-60041 ZEHRaster software for UNIX - Allows TIFF and JPEG printing on DesignJet 700 series, 1000 series, and CP series (English)
- C7779-60042 ZEHRaster software for UNIX - Allows TIFF and JPEG printing on DesignJet 700 series, 1000 series, and CP series (Korean)
- C7779-60043 ZEHRaster software for UNIX - Allows TIFF and JPEG printing on DesignJet 700 series, 1000 series, and CP series (Taiwanese)
- C7779-60044 ZEHRaster software for UNIX - Allows TIFF and JPEG printing on DesignJet 700 series, 1000 series, and CP series (German)
- C7779-60045 ZEHRaster software for UNIX - Allows TIFF and JPEG printing on DesignJet 700 series, 1000 series, and CP series (French)
- C7779-60046 ZEHRaster software for UNIX - Allows TIFF and JPEG printing on DesignJet 700 series, 1000 series, and CP series (Spanish)



Other Accessories

Software

C7779-60047 ZEHRaster software for UNIX - Allows TIFF and JPEG printing on DesignJet 700 series, 1000 series, and CP series (Italian)

Other Internal Parts

Bushing

143 C3195-40076 Cutter bushing - Connects cutter assembly to slider rod

Cable

144 C4704-60024 Ribbon cable assembly - Has 28 pin (F) connectors - 23.5cm (9.3 inches) long

Clamp

145 C4723-40086 Trailing cable holder

Cutter

146 C4723-60244 Cutter assembly - Auto cutter for rollfeed paper

Elevator

147 C4704-60033 Elevator platform assembly - Raises and lowers ink cartridges to fill the print heads - Located on left side of plotter

Flag

148 C4704-40007 Service station flag - Spring loaded flag on right side of service station

Refill Assembly

149 C4723-60249 Refill assembly - Mounted inside the left hand cover - Includes motor and gears

Service Station

150 C4723-60276 Service station assembly

Spring

151 C4704-80009 Service station spring

Support

152 C4723-60290 Electronics support frame and cover supports - Includes the support located above the refill interconnect cable and the two supports used to mount the rear cover

Trim

153 C4704-60113 Right trim assembly - At right of entry platen

154 C4723-60111 Left trim assembly - At left of entry platen

Paper Drive Parts

Bail

277 C4723-60279 Bail assembly - Mounting bail assembly for the starwheel mount assemblies (Not included) - Extends width of plotter

Bushing

278 C1633-40082 Pinch arm spring retaining bushing

Cam

279 C3180-40020 Pinch arm cam - Attached to pinch arm (Media) lever

280 C3190-60149 Left cam journal - Mounted on left end of pinch arm shaft

Gear

281 C1633-40019 Overdrive gear cluster

Guard

282 C4723-60250 Starguard starwheel cover assembly

Guide

283 C4723-60110 Media guide - Mounted above the entry platen

Paper Drive Parts**Lever**

284 C4704-40059 Pinch arm (media) lever - Used when loading paper

Link

285 C4723-00025 Front wire link

Motor

286 C4723-60303 X-AXIS motor assembly - Includes motor, belt, and worm gear - No longer supplied - Order X-AXIS motor assembly kit
NO LONGER SUPPLIED

C4724-60053 *New Part for C4723-60303*

287 C4724-60053 X-Axis motor assembly kit - New design does not use a belt - Kit includes motor with attached worm gear, helical gear, motor mount, screws and nuts for mounting the parts, grease for the helical gear, installation instructions

Overdrive Assy

288 C4723-60234 Overdrive assembly - Includes overdrive shims, clutch and overdrive gear - Mounted between the left and right side plates of the plotter below bail assembly

Pincharm

289 C4723-60247 Pincharm Assembly - Curved black plastic plate with 4 small rubber rollers (Does NOT include spring or bushing)

Platen

290 C4723-60246 Entry Platen Assembly - Curved cover/guide that is next to the paper drive (Platen) roller

Roller

291 C4723-60242 Paper drive (Platen) roller assembly - Long gear driven roller

Sensor

292 C4704-60052 Pincharm sensor

293 C4704-60195 Media sensor assembly - Includes, edge measuring and secondary levers, media sensor and holder

Shaft

294 C4723-60240 Pincharm shaft assembly - Includes cam journals mounted on each end

Spring

295 C1633-80005 Compression spring between pincharm assembly and bushing

Starwheel Mount

296 C4704-60143 Big starwheel mount assembly - Includes cover, body, spring and two starwheels

297 C4713-60035 Starwheel mount assembly - Includes cover, body, spring and two starwheels

Support

298 C4704-40026 Roller support bracket on left side plate

Paper and Other Media**Canvas**

C6771A Studio canvas (368 gsm) - 91.4cm (36in) x 10.7m (35ft) roll - For regular ink or UV resistant ink

C6773A Studio canvas (368 gsm) - 137.2cm (54in) x 10.7m (35ft) roll - For regular ink or UV-resistant ink

C7966A Canvas with Matte finish - 61cm (24in) x 10.7m (35ft) (USA)

C7967A Canvas with Matte finish - 91.4cm (36in) x 10.7m (35ft) (USA)

C7968A Canvas with Matte finish - 106.7cm (42in) x 10.7m (35ft) (USA)

Q1696A Canvas Matte - 137.2cm (54in) x 10.7m (35ft) (USA)

Film (Adhesive)

C6760A 3M 8522CP opaque imaging media - 91.4cm (36in) x 13.7m (45ft) roll - Flexible white opaque vinyl with removable pressuresensitive adhesive backing for outdoor use - UV ink only

C6761A 3M 8519CP lustre (Semi-gloss) overlamine - 91.4cm (36in) x 22.9m (75ft) roll - Vinyl with pressure sensitive adhesive backing - Used to protect 3M 8522CP opaque imaging media

C6762A 3M 8520CP matte overlamine - 91.4cm (36in) x 22.9m (75ft) roll - Vinyl with pressure sensitive adhesive backing - Used to protect 3M 8522CP opaque imaging media



Paper and Other Media

Film (Adhesive)

- C1882A 3M 8522CP opaque imaging media - 137.2cm (54in) x 13.7m (45ft) roll - Flexible white opaque vinyl with removable pressure sensitive adhesive backing for outdoor use - UV ink only
- C1884A 3M 8519CP Lustre (semi-gloss) Overlamine - 137.2cm (54in) x 22.9m (75ft) roll - Vinyl with pressure sensitive adhesive backing - Used to protect 3M 8522CP opaque imaging media
- C1886A 3M 8520CP matte overlamine - 137.2cm (54in) x 22.9m (75ft) roll - Vinyl with pressure sensitive adhesive backing - Used to protect 3M 8522CP opaque imaging media

Film (Cling)

- Q1914A Two View Cling film - 91.4cm (36in) x 22.9m (75ft)
- Q1915A Two View Cling film - 106.7cm (42in) x 22.9m (75ft)

Film (Glossy)

- C6794A Durable Imaging Glossy UV media - For UV ink only - 91.4cm (36in) x 30.5m (100ft) roll
- C6795A Durable Imaging Glossy UV media - For UV ink only - 137.2cm (54in) x 30.5m (100ft) roll

Film (Matte)

- Q1736A Polyester Film White Matte - 91.4cm (36in) x 15.2m (50ft) (USA)
- Q1737A Polyester Film White Matte - 137.2cm (54in) x 15.2m (50ft) (USA)

Film (Opaque)

- C7955A Opaque White Glossy Polyester Film - 61cm (24in) x 15.2m (50ft) (USA)
- C7956A Opaque White Glossy Film - 91.4cm (36in) x 15.2m (50ft) (USA)
- C7957A Opaque Polyester Film - 106.7cm (42in) x 3.0m (10ft) (USA)
- C7958A Opaque Polyester Film - 137.2cm (54in) x 15.2m (50ft) (USA)

Paper

- C7922A Basic Bond paper - 106.7cm (42in) x 45.7m (150ft)
- C7923A Basic Heavyweight Paper - 61cm (24in) x 30.5m (100ft) (USA and Asia/Pacific)
- C7924A Basic Heavyweight Paper - 91.4cm (36in) x 30.5m (100ft) (USA and Asia/Pacific)
- C7925A Basic Heavyweight Paper - 106.7cm (42in) x 30.5m (100ft) (USA and Asia/Pacific)
- C7926A Basic Heavyweight Paper - 137.2cm (54in) x 30.5m (100ft) (USA and Asia/Pacific)
- C7929A Super Heavyweight Paper - 61cm (24in) x 22.9m (75ft) (USA and Asia/Pacific)
- C7950A Outdoor Billboard - 137.2cm (54in) x 30.5m (100ft) (USA)
- Q1396A Universal Bond Paper - 61cm (24in) x 30.5m (100ft)
- Q1397A Universal Bond Paper - 91.4cm (36in) x 30.5m (100ft)
- Q1398A Universal Bond Paper - 106.7cm (42in) x 30.5m (100ft)
- Q1432A Yupo Synthetic Paper - 91.4cm (36in) x 30.5m (100ft)
- Q1434A Yupo Synthetic Paper - 137.2cm (54in) x 30.5m (100ft)
- Q1739A Heat Transfer Paper - 91.4cm (36in) x 30.5m (100ft) (USA)
- Q1740A Heat Transfer Paper - 137.2cm (54in) x 30.5m (100ft) (USA)
- Q1745A Paper Backed Fabric Polyester - 91.4cm (36in) x 10.1m (33ft) (USA)
- Q1746A Paper Backed Fabric Polyester - 137.2cm (54in) x 10.1m (33ft) (USA)
- Q1899A Scrim Banner paper - 106.7cm (42in) x 15.2m (50ft)
- Q1904A Polypropylene with Matte finish - 106.7cm (42in) x 22.9m (75ft)
- Q1906A Polypropylene with Matte finish - 137.2cm (54in) x 22.9m (75ft)
- Q1907A Polypropylene with Matte finish - 152.4cm (60in) x 22.9m (75ft)
- Q1908A Polypropylene Adhesive Back print media - 91.4cm (36in) x 21.3m (70ft)



Paper and Other Media

Paper (Backlit)

- C7875A Large format Colorlucent backlit UV media - 91.4cm (36in) x 3.0m (10ft)
- C7960A Backlit Reverse Print paper - 91.4cm (36in) x 22.9m (75ft) (USA)
- C7961A Backlit Reverse Print paper - 137.2cm (54in) x 22.9m (75ft) (USA)
- C6778A Colorlucent backlit UV paper - 91.4cm (36in) x 30.5m (100ft) roll - For UV (pigmented) inks ONLY
- C6779A Colorlucent backlit UV paper - 137.2cm (54in) x 30.5m (100ft) roll - For UV (pigmented) inks ONLY

Paper (Banner)

- Q1898A Scrim Banner - 91.4cm (36in) x 15.2m (50ft)
- Q1901A Scrim Banner paper - 137.2cm (54in) x 15.2m (50ft)
- C6786A Banner paper with Tyvek (140 gsm) - UV ink only - 61cm (24in) x 15.2m (50ft) roll
NO LONGER SUPPLIED
- C6787A Banner paper with Tyvek (140 gsm) - UV ink only - 91.4cm (36in) x 15.2m (50ft) roll
- C6789A Banner paper with Tyvek (140 gsm) - UV ink only - 91.4cm (36in) x 15.2m (50ft) roll

Paper (Coated)

- C8281A Basic Coated Paper - 61cm (24in) x 45.7m (150ft) (USA and Asia/Pacific)
- Q1412A Universal Heavyweight Coated paper - 61cm (24in) x 30.5m (100ft)
- Q1413A Universal Heavyweight Coated Paper - 91.4cm (36in) x 30.5m (100ft)
- Q1416A Heavyweight Coated Paper - 152.4cm (60in) x 30.5m (100ft)
- C6019B Coated paper (98 gsm) - 61cm (24in) x 45.7m (150ft) roll (USA, Canada, and Latin America)
- C6021B Heavyweight coated paper - 61cm (24in) x 30.5m (100ft) roll (USA, Canada, and Latin America)
NO LONGER SUPPLIED
- C6027A Coated paper (98 gsm) - 61cm (24in) x 45.7m (150ft) roll (Europe, Asia/Pacific, and Japan)
NO LONGER SUPPLIED
- C6029B Heavyweight coated paper - 61cm (24in) x 30.5m (100ft) roll (Europe, Asia/Pacific, and Japan)
NO LONGER SUPPLIED
- C6029C Heavyweight coated paper - 61cm (24in) x 30.5m (100ft) roll - For regular or UV resistant ink
- C6020B Coated paper (98 gsm) - 91.4cm (36in) x 45.7m (150ft) roll (USA, Canada, and Latin America)
- C6022B Heavyweight coated paper - 91.4cm (36in) x 30.5m (100ft) roll (USA, Canada, and Latin America)
NO LONGER SUPPLIED
- C6028A Coated paper (98 gsm) - 91.4cm (36in) x 45.7m (150ft) roll (Europe, Asia/Pacific, and Japan)
NO LONGER SUPPLIED
- C6030B Heavyweight coated paper - 91.4cm (36in) x 30.5m (100ft) roll (Europe, Asia/Pacific, and Japan)
NO LONGER SUPPLIED
- C6030C Heavyweight coated paper - 91.4cm (36in) x 30.5m (100ft) roll - For regular or UV resistant ink
- C6559B Coated paper (98 gsm) - 106.7cm (42in) x 45.7m (150ft) roll (USA, Canada, and Latin America)
- C6561B Heavyweight coated paper - 106.7cm (42in) x 30.5m (100ft) roll (USA, Canada, and Latin America)
NO LONGER SUPPLIED
- C6567B Coated paper (98 gsm) - 106.7cm (42in) x 45.7m (150ft) roll (Europe, Asia/Pacific, and Japan)
- C6569B Heavyweight coated paper - 106.7cm (42in) x 30.5m (100ft) roll (Europe, Asia/Pacific, and Japan)
NO LONGER SUPPLIED
- C6569C Heavyweight coated paper - 106.7cm (42in) x 30.5m (100ft) roll - For regular or UV resistant ink
- C6560B Coated paper (98 gsm) - 137.2cm (54in) x 45.7m (150ft) roll (USA, Canada, and Latin America)
- C6562B Heavyweight coated paper - 137.2cm (54in) x 30.5m (100ft) roll (USA, Canada, and Latin America)
NO LONGER SUPPLIED
- C6568B Coated paper (98 gsm) - 137.2cm (54in) x 45.7m (150ft) roll (Europe, Asia/Pacific, and Japan)
- C6570B Heavyweight coated paper - 137.2cm (54in) x 30.5m (100ft) roll (Europe, Asia/Pacific, and Japan)
NO LONGER SUPPLIED
- C6570C Heavyweight coated paper - 137.2cm (54in) x 30.5m (100ft) roll - For regular or UV resistant ink

Paper and Other Media**Paper (Fabric)**

- Q1435A Flame Retardant Cloth print media - 91.4cm (36in) x 20.0m (65.6ft)
- Q1437A Flame Retardant Cloth print media - 137.2cm (54in) x 20.0m (65.6ft)

Paper (Glossy)

- C8315A High Gloss Photo Paper - 61cm (24in) x 30.5m (100ft) (USA and Asia/Pacific)
- C8316A High Gloss Photo Paper - 91.4cm (36in) x 30.5m (100ft) (USA and Asia/Pacific)
- Q1426A Universal High-Gloss Photo Paper - 61cm (24in) x 30.5m (100ft)
- Q1427A Universal High-Gloss Photo Paper - 91.4cm (36in) x 30.5m (100ft)
- Q1428A Universal High-Gloss Photo Paper - 106.7cm (42in) x 30.5m (100ft)
- Q1429A Universal High-Gloss Photo Paper - 137.2cm (54in) x 30.5m (100ft)
- Q1430A Universal High-Gloss Photo Paper - 152.4cm (60in) x 30.5m (100ft)
- C6025A High gloss photo paper - 61cm (24in) x 30.5m (100ft) roll (USA, Canada, and Latin America)
- C6033A High gloss photo paper - 61cm (24in) x 30.5m (100ft) roll (Europe, Asia/Pacific, and Japan)
- C6026A High gloss photo paper - 91.4cm (36in) x 30.5m (100ft) roll (USA, Canada, and Latin America)
- C6034A High gloss photo paper - 91.4cm (36in) x 30.5m (100ft) roll (Europe, Asia/Pacific, and Japan)
- C6565A High gloss photo paper - 106.7cm (42in) x 30.5m (100ft) roll (USA, Canada, and Latin America)
- C6573A High gloss photo paper - 106.7cm (42in) x 30.5m (100ft) roll (Europe, Asia/Pacific, and Japan)
- C6566A High gloss photo paper - 137.2cm (54in) x 30.5m (100ft) roll (USA, Canada, and Latin America)
- C6574A High gloss photo paper - 137.2cm (54in) x 30.5m (100ft) roll (Europe, Asia/Pacific, and Japan)

Paper (Photo)

- C7946A Photo Paper RC Matte - 91.4cm (36in) x 30.5m (100ft) (USA)
- C8310A Basic Photo Satin paper - 61cm (24in) x 30.5m (100ft) (USA and Asia/Pacific)
- C8311A Basic Photo Satin paper - 91.4cm (36in) x 30.5m (100ft) (USA and Asia/Pacific)
- C8312A Basic Photo Satin paper - 106.7cm (42in) x 30.5m (100ft) (USA)
- C8313A Basic Photo Satin paper - 137.2cm (54in) x 30.5m (100ft) (USA)
- C8317A High Gloss Photo Paper - 106.7cm (42in) x 30.5m (100ft) (US and Asia/Pacific)
- C8318A High Gloss Photo Paper - 137.2cm (54in) x 30.5m (100ft) (USA and Asia/Pacific)
- Q1420A Semi-Gloss Photo Paper - 61cm (24in) x 30.5m (100ft)
- Q1421A Semi-Gloss Photo Paper - 91.4cm (36in) x 30.5m (100ft)
- Q1422A Semi-Gloss Photo Paper - 106.7cm (42in) x 30.5m (100ft)
- Q1424A Semi-Gloss Photo Paper - 152.4cm (60in) x 30.5m (100ft)

Paper (Poster)

- C7949A Outdoor Billboard Paper - Blue back - 91.4cm (36in) x 30.5m (100ft) (USA)

Paper (Satin)

- C7952A Proofing Paper RC Satin - 91.4cm (36in) x 30.5m (100ft) (USA)
- C7953A Proofing Paper RC Satin paper - 137.2cm (54in) x 22.9m (75ft) (USA)

Paper (Semi-Glossy)

- Q1423A Semi-Gloss Photo Paper - 137.2cm (54in) x 30.5m (100ft)
- C6023A Semi-gloss photo paper - 61cm (24in) x 30.5m (100ft) roll (USA, Canada, and Latin America)
- C6031A Semi-gloss photo paper - 61cm (24in) x 30.5m (100ft) roll (Europe, Asia/Pacific, and Japan)
- C6782A Paper based semi-gloss media - 61cm (24in) x 30.5m (100ft) roll
NO LONGER SUPPLIED
- C6024A Semi-gloss photo paper - 91.4cm (36in) x 30.5m (100ft) roll (USA, Canada, and Latin America)
- C6032A Semi-gloss photo paper - 91.4cm (36in) x 30.5m (100ft) roll (Europe, Asia/Pacific, and Japan)
- C6783A Paper based semi-gloss media - 91.4cm (36in) x 30.5m (100ft) roll
NO LONGER SUPPLIED



Paper and Other Media

Paper (Semi-Glossy)

C6563A	Semi-gloss photo paper - 106.7cm (42in) x 30.5m (100ft) roll (USA, Canada, and Latin America)
C6571A	Semi-gloss photo paper - 106.7cm (42in) x 30.5m (100ft) roll (Europe, Asia/Pacific, and Japan)
C6564A	Semi-gloss photo paper - 137.2cm (54in) x 30.5m (100ft) roll (USA, Canada, and Latin America)
C6572A	Semi-gloss photo paper - 137.2cm (54in) x 30.5m (100ft) roll (Europe, Asia/Pacific, and Japan)
C6785A	Paper based semi-gloss media - 137.2cm (54in) x 30.5m (100ft) roll NO LONGER SUPPLIED

Vinyl (Adhesive)

C6775A	Colorfast adhesive vinyl (328 gsm) - 91.4cm (36in) x 12.2m (40ft) roll - For regular ink or UV-resistant ink
C6777A	Colorfast adhesive vinyl (328 gsm) - 137.2cm (54in) x 12.2m (40ft) roll - For regular ink or UV-resistant ink

Roll Feed Parts

Brake/Housing

299	C4704-60199	Brake/housing assembly (on right side) - Accepts the flange end of the spindle rod assembly - Includes the 2 housing pieces, 2 brake shoes, brake gear, brake lever, and springs
-----	-------------	--

Cover

300	C4723-60245	Rollfeed access cover - Opens forward to allow access to paper spindle assembly
-----	-------------	---

End Cap

301	C2858-40043	Spindle end cap (small) (or core spacer) - Removes for loading the media roll
-----	-------------	---

Housing

302	C4704-60082	Housing assembly (on left side)
-----	-------------	---------------------------------

Spindle

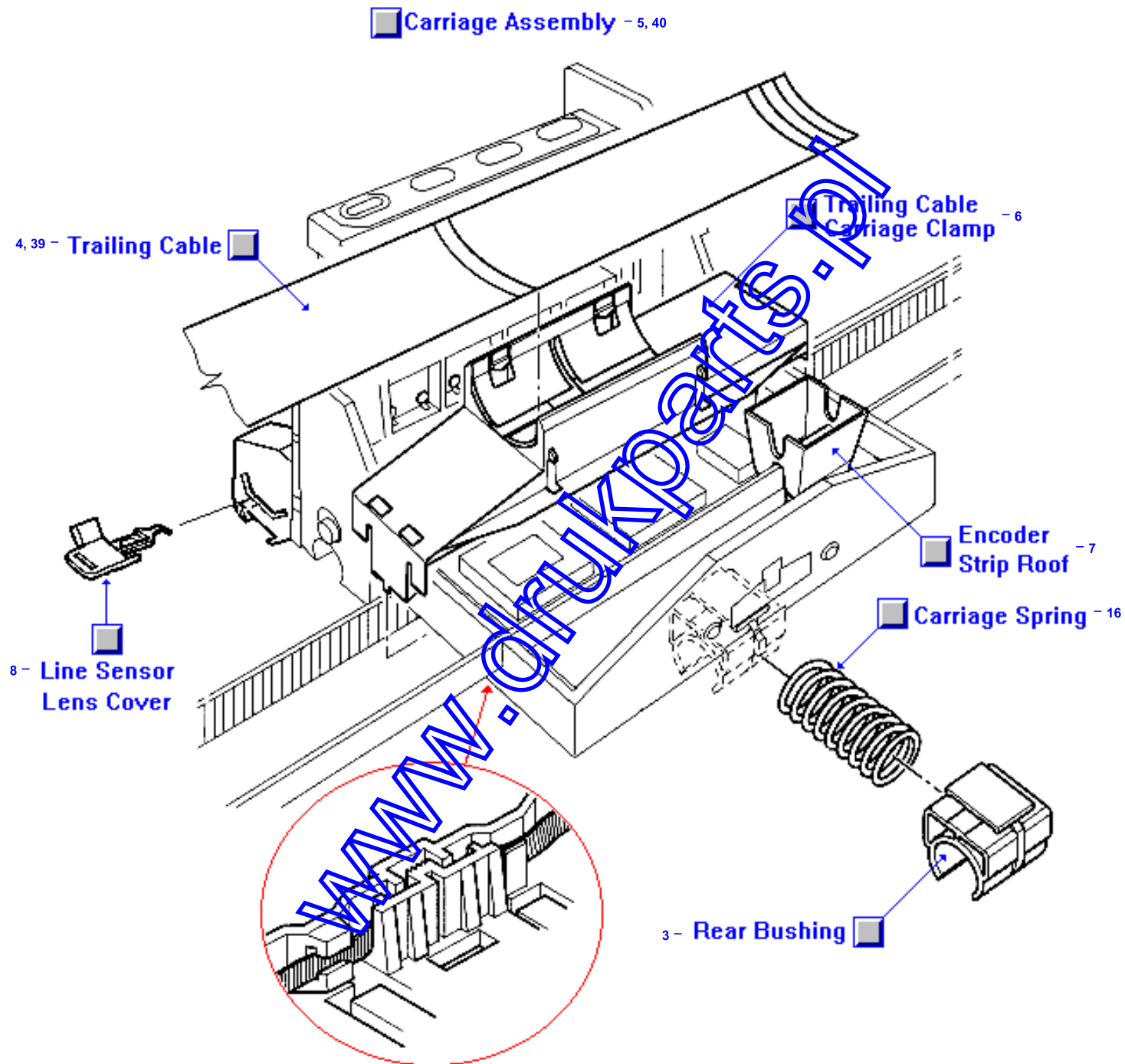
303	C4723-60241	Rollfeed spindle rod assembly - Includes flange and core spindle spacer
	C6248A	Rollfeed spindle rod assembly for DesignJet 3000/3500CP - Includes flange and core spindle spacer

Spring

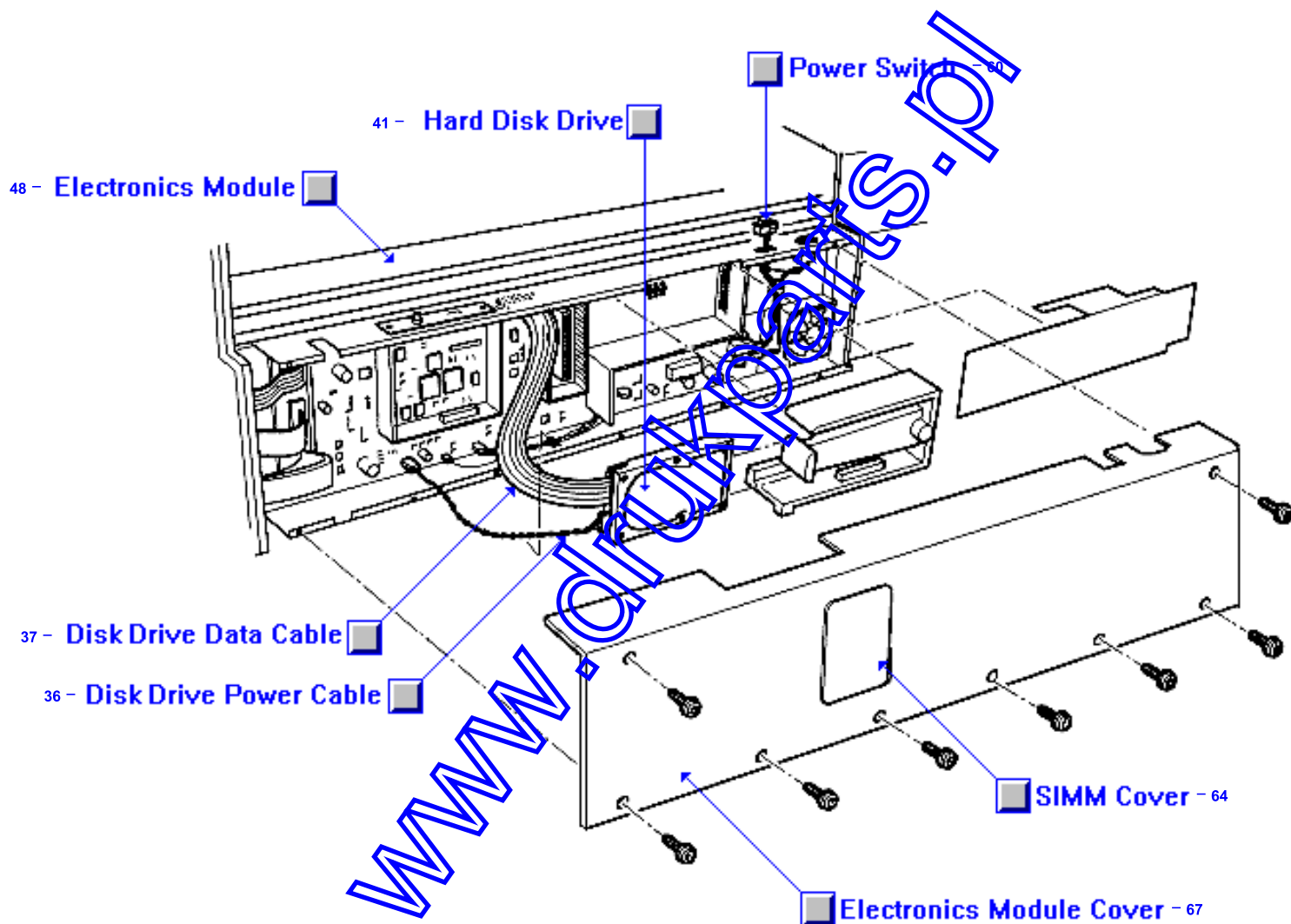
305	C4723-80021	Extension spring - Holds the rollfeed access cover closed
-----	-------------	---

www.druckparts.pl

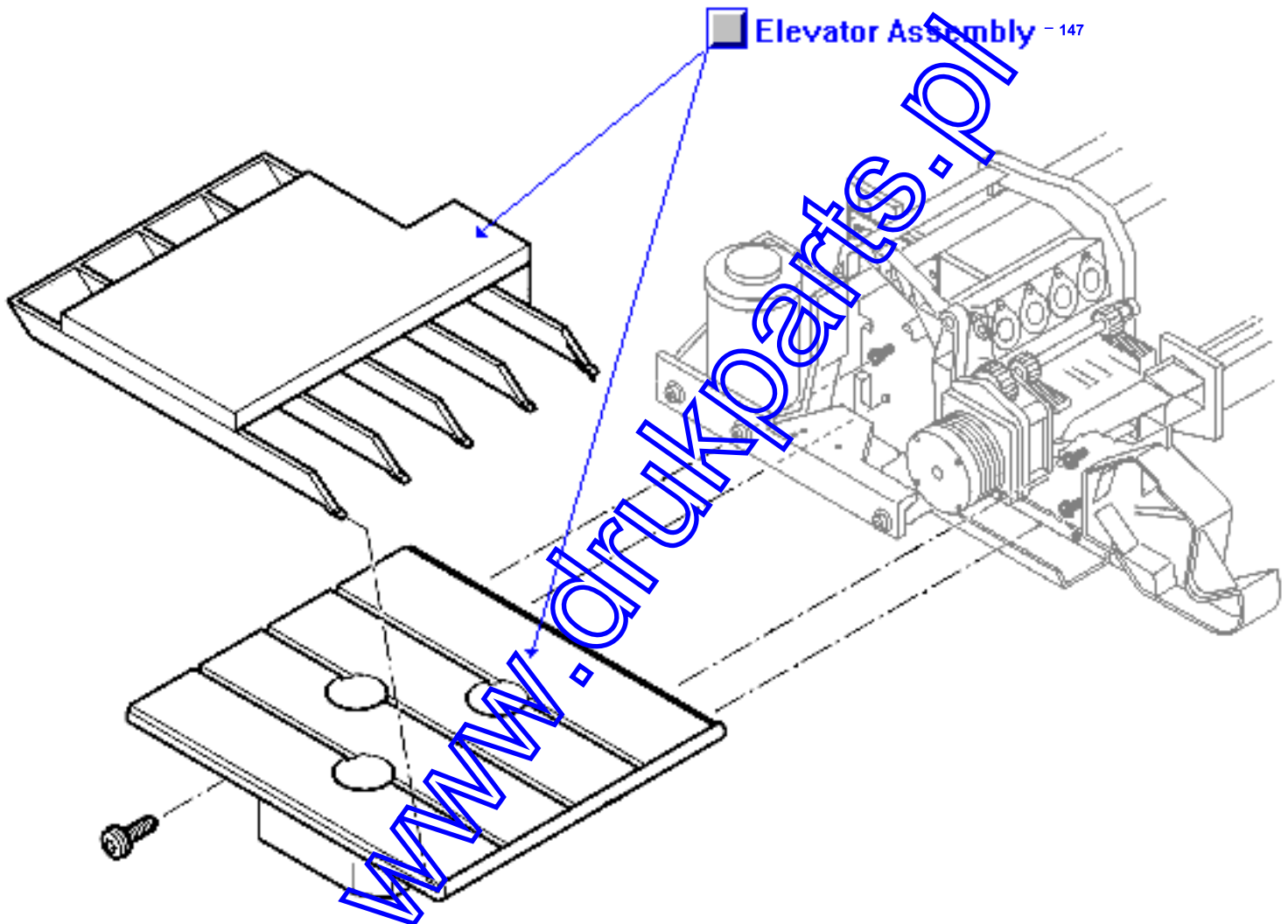
Carriage Assembly



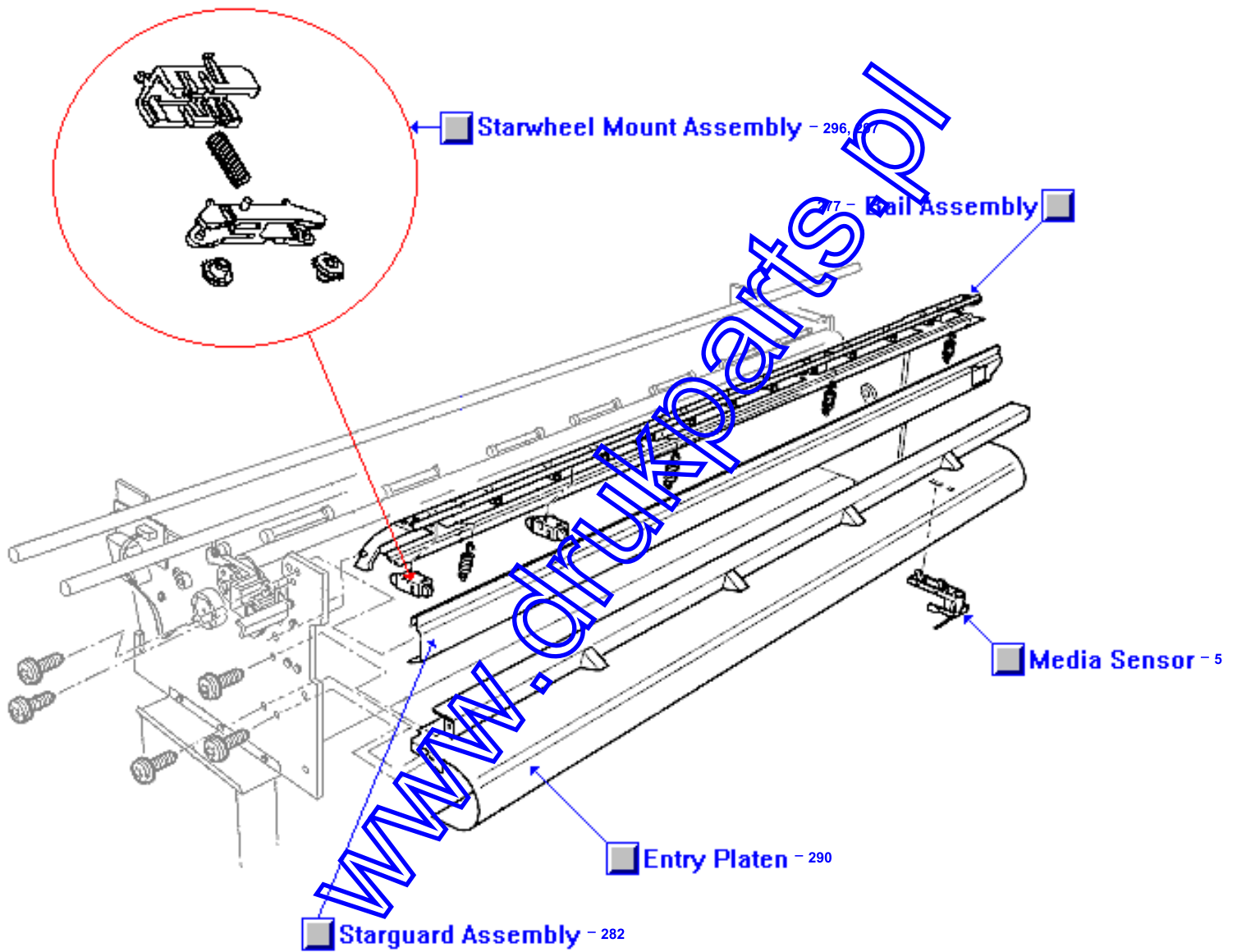
Electronics Module



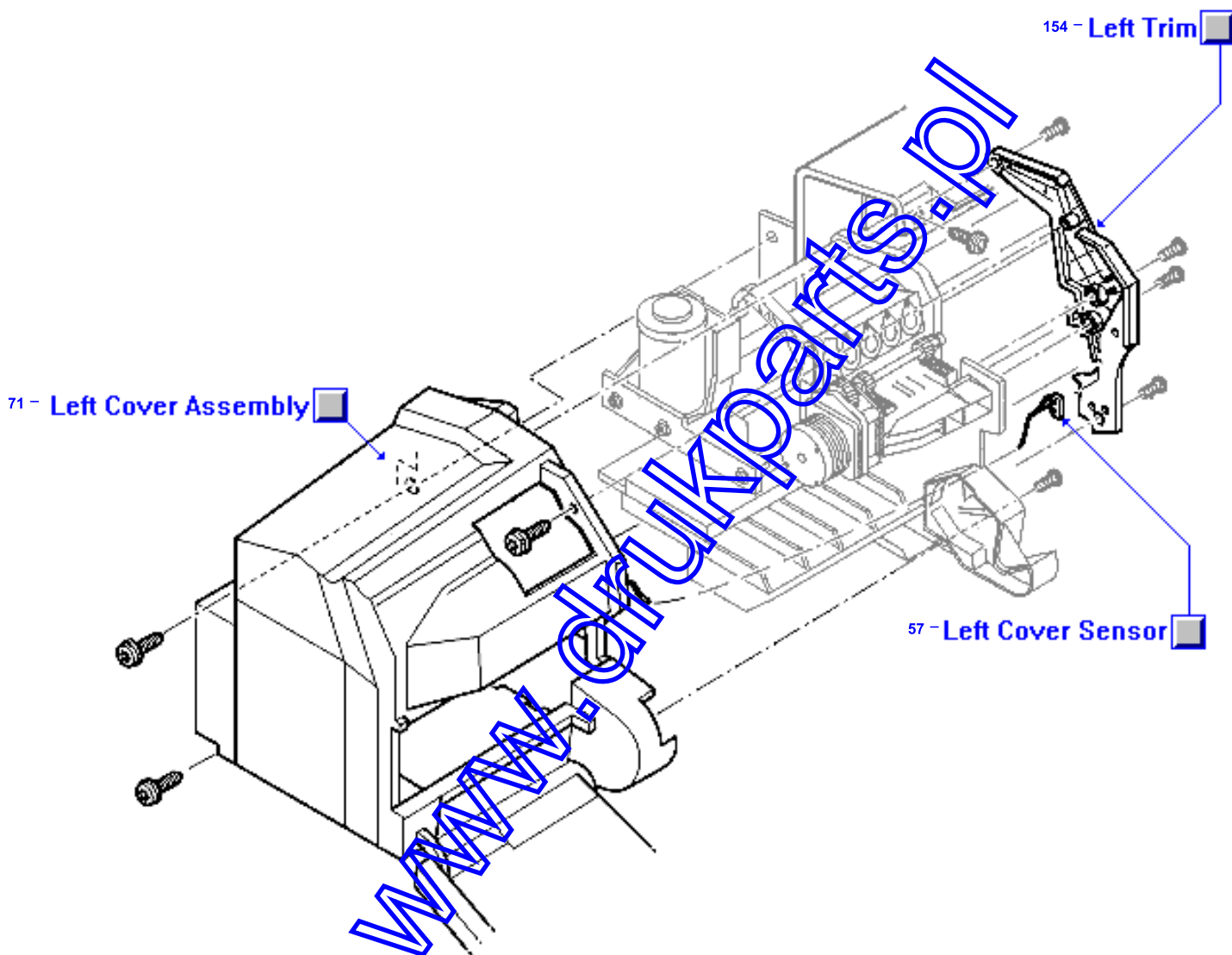
Elevator Assembly



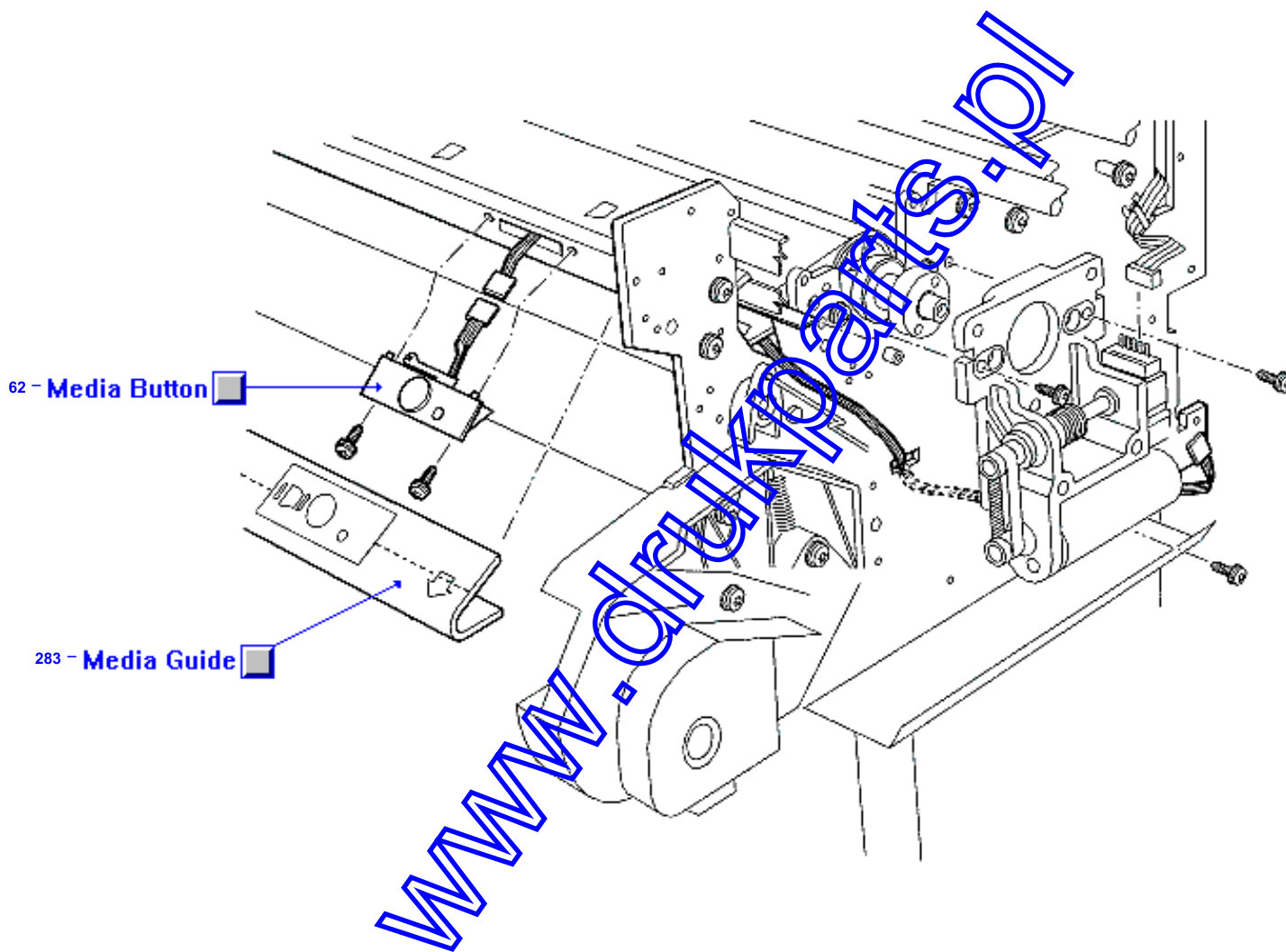
Entry Platen Area



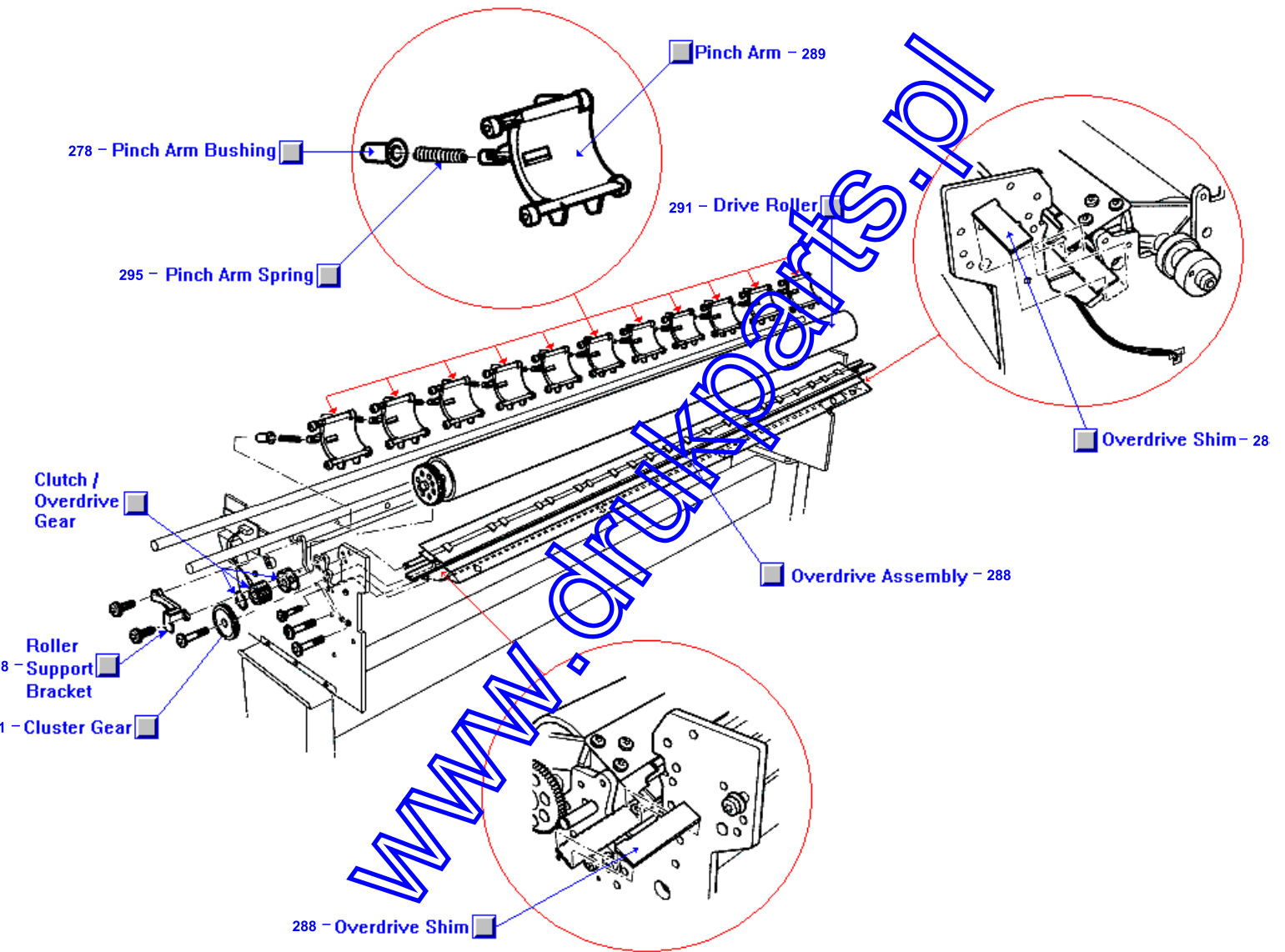
Left Hand Cover Area



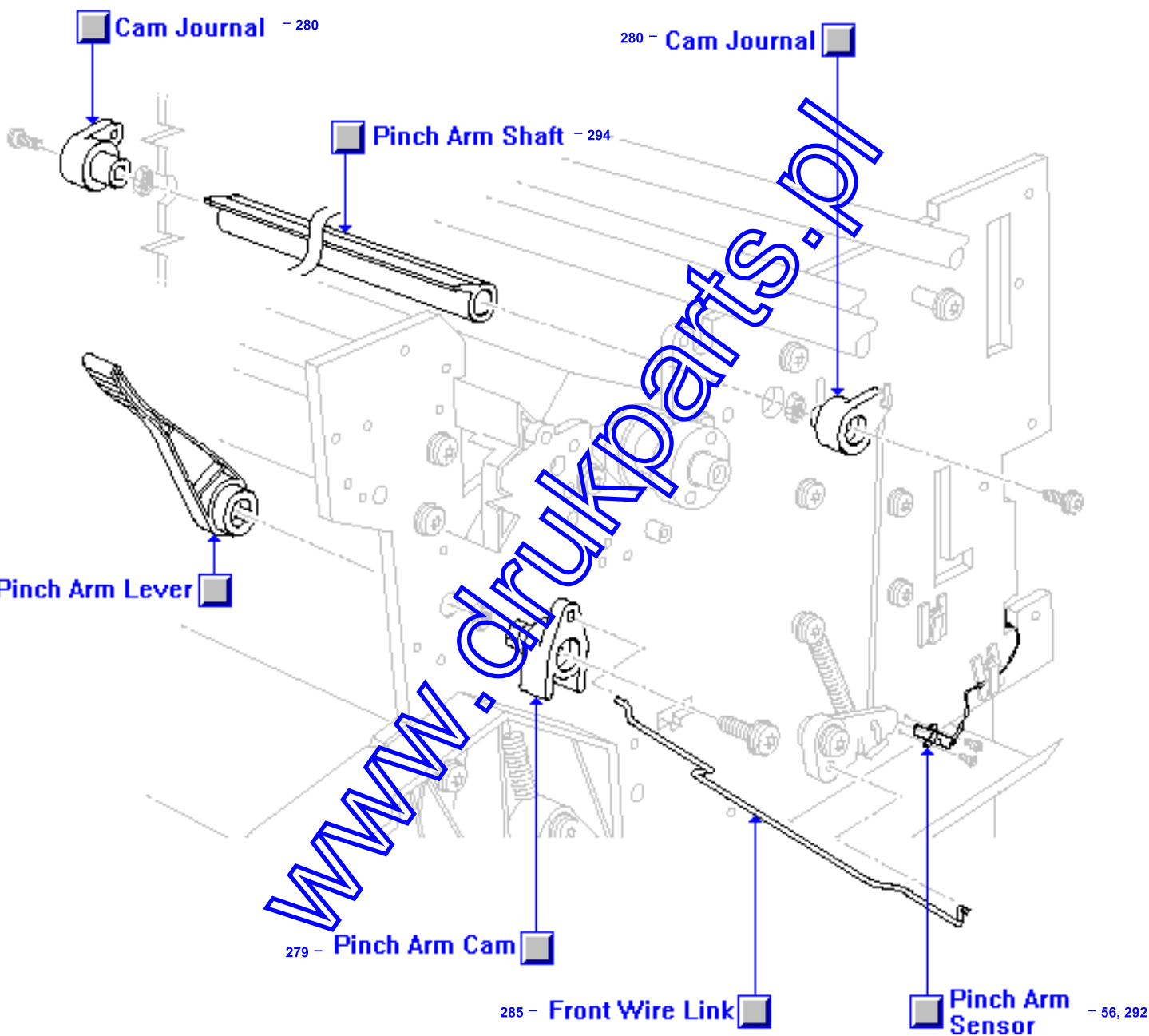
Media Button and Media Guide



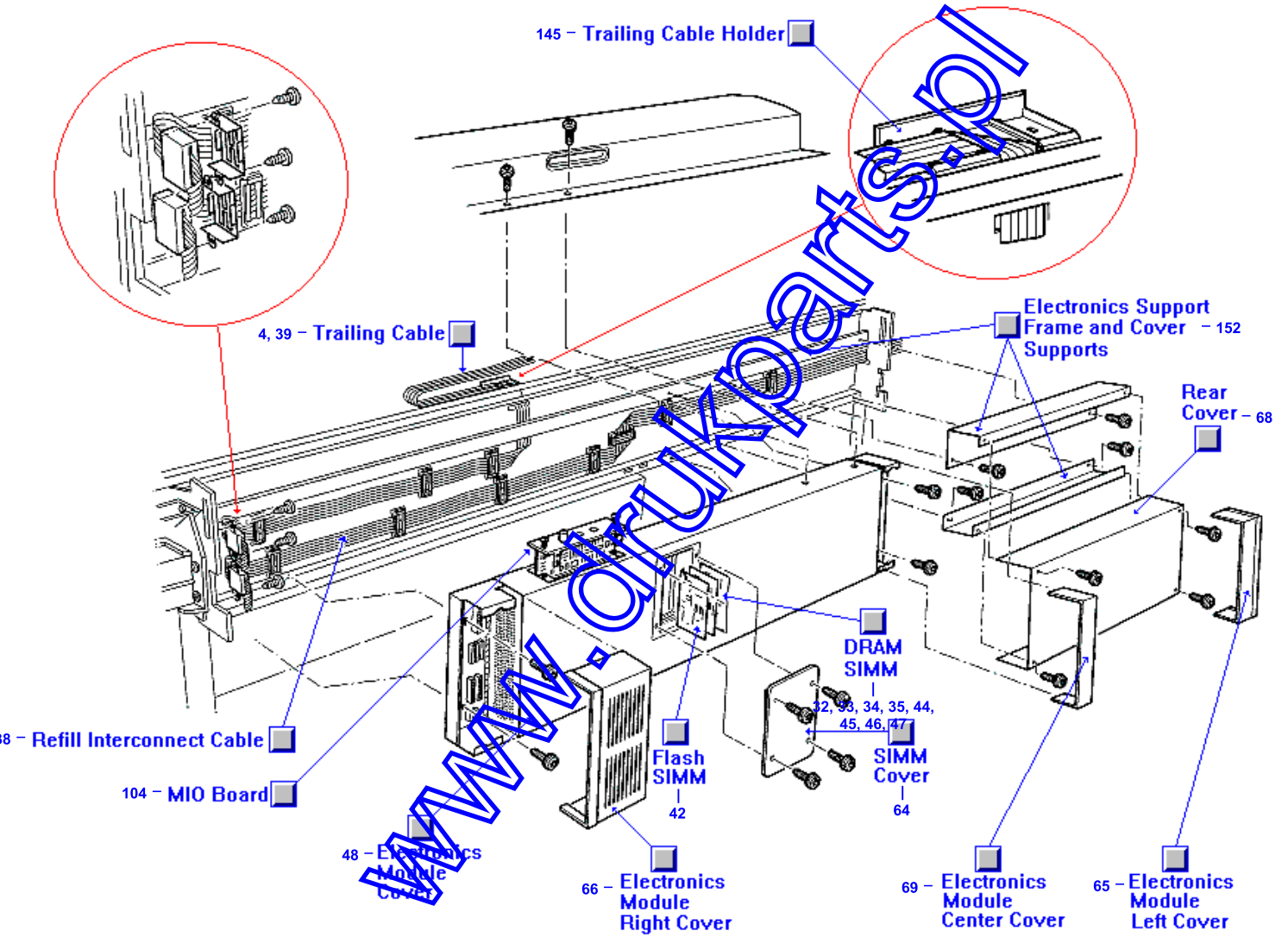
Paper Drive Roller Area



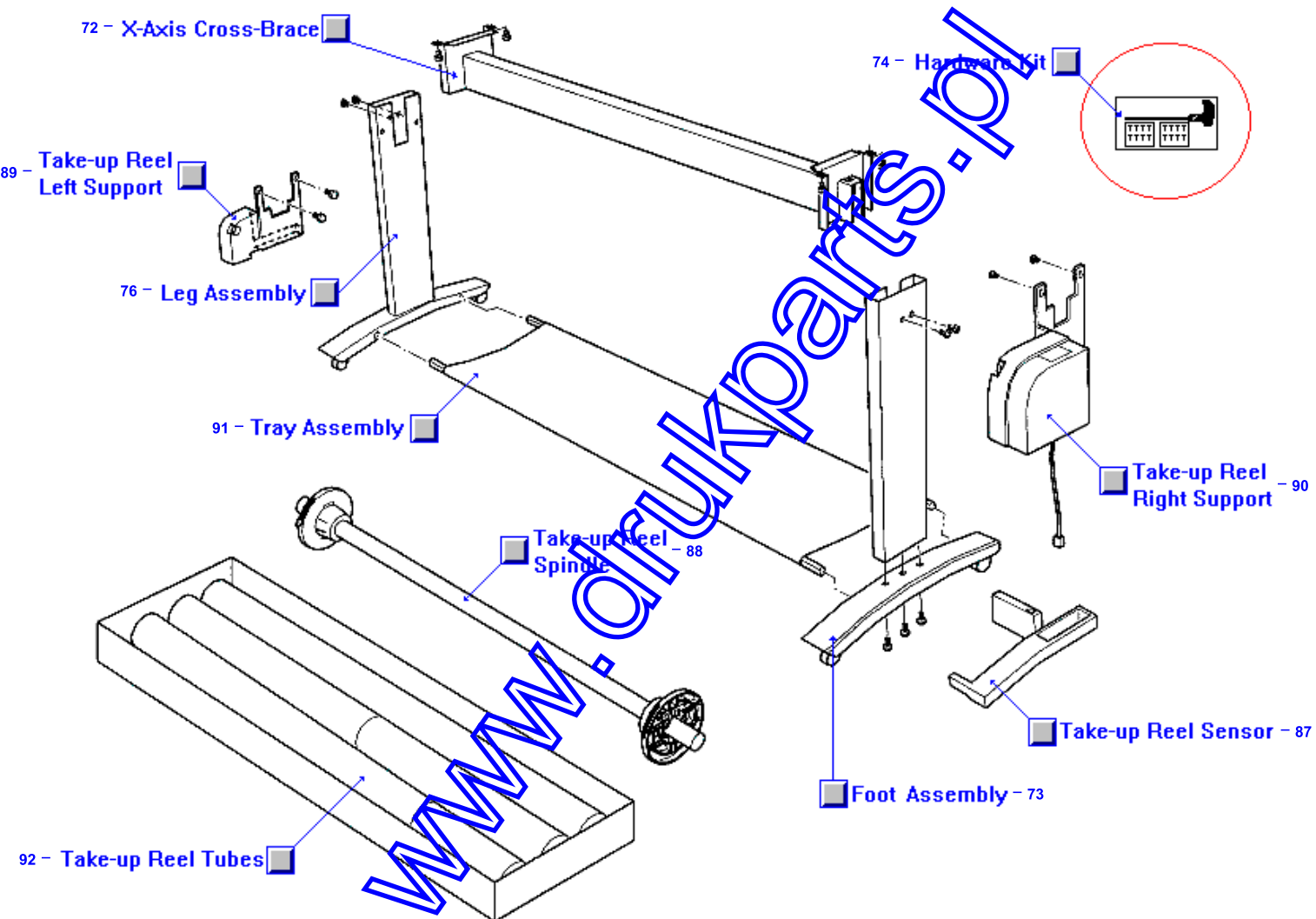
Pinch Arm Assembly



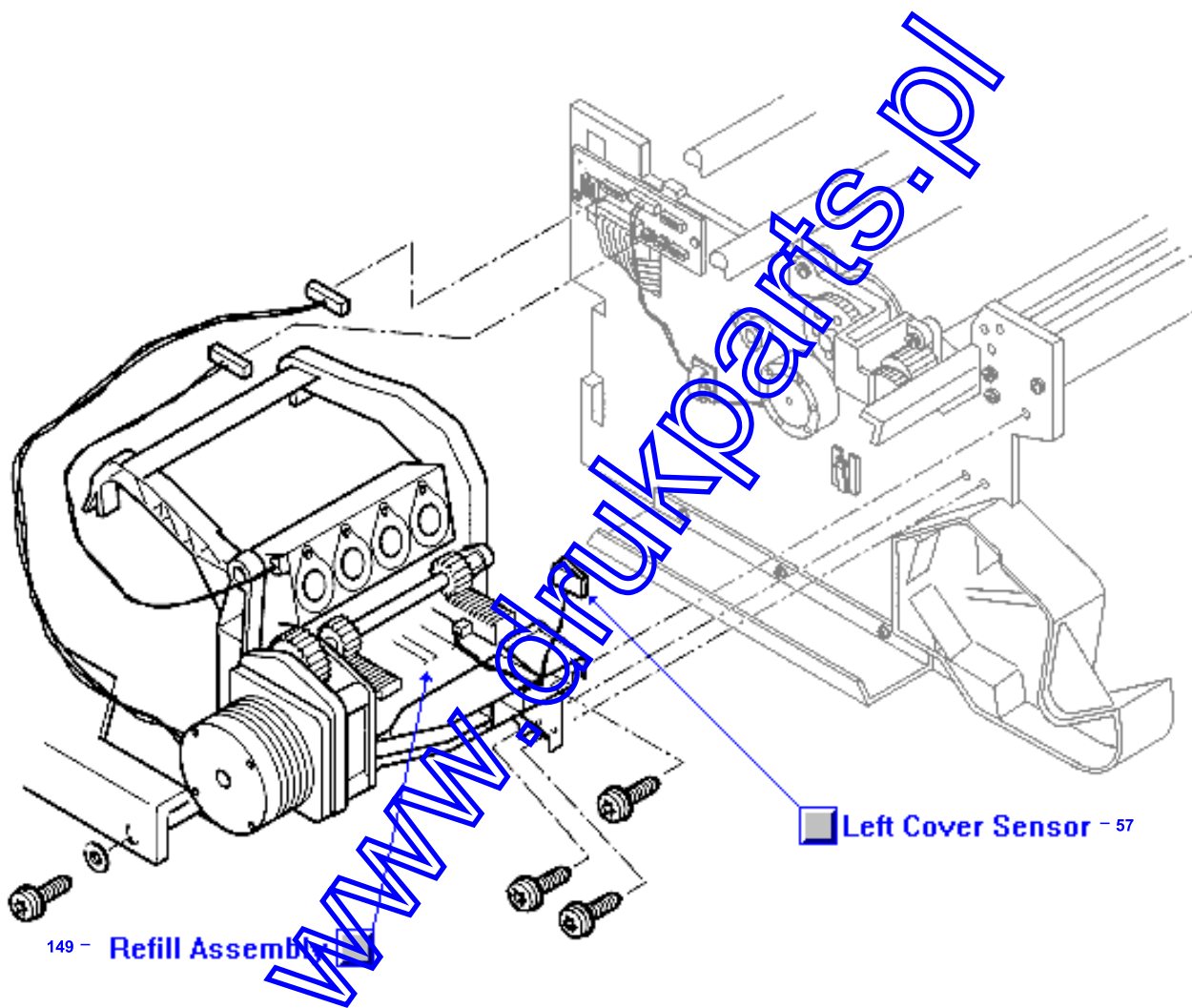
Printer Rear



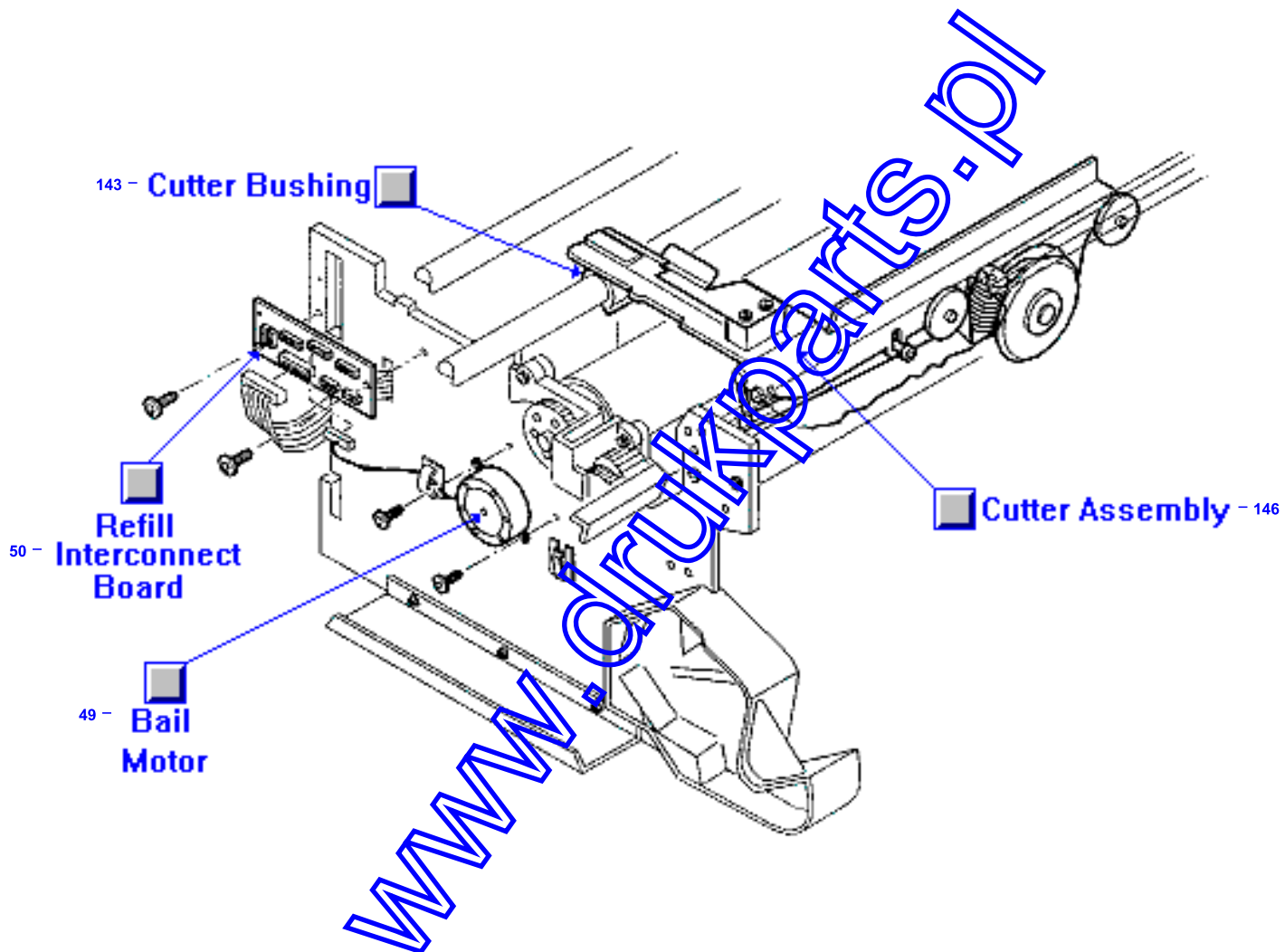
Printer Support



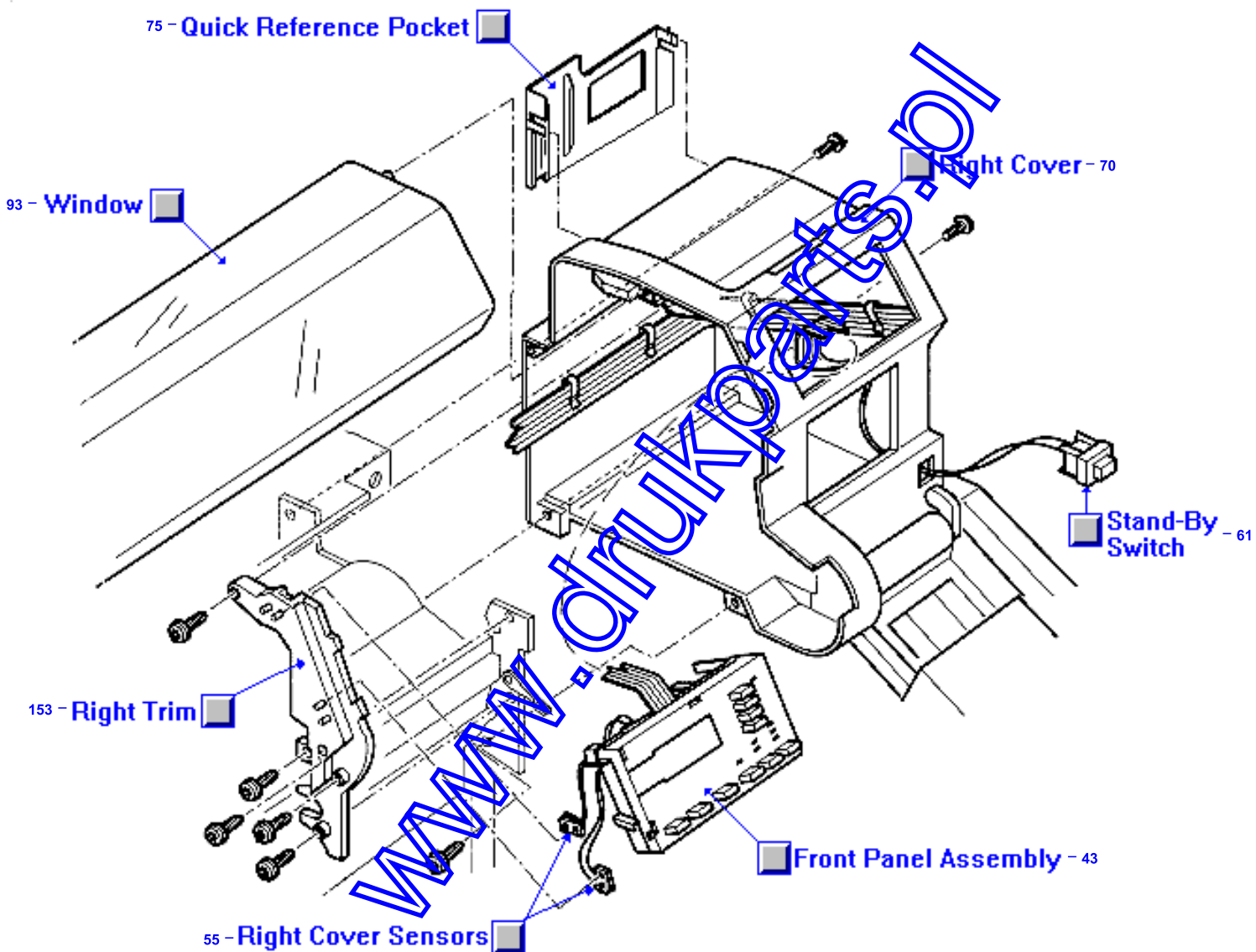
Refill Assembly



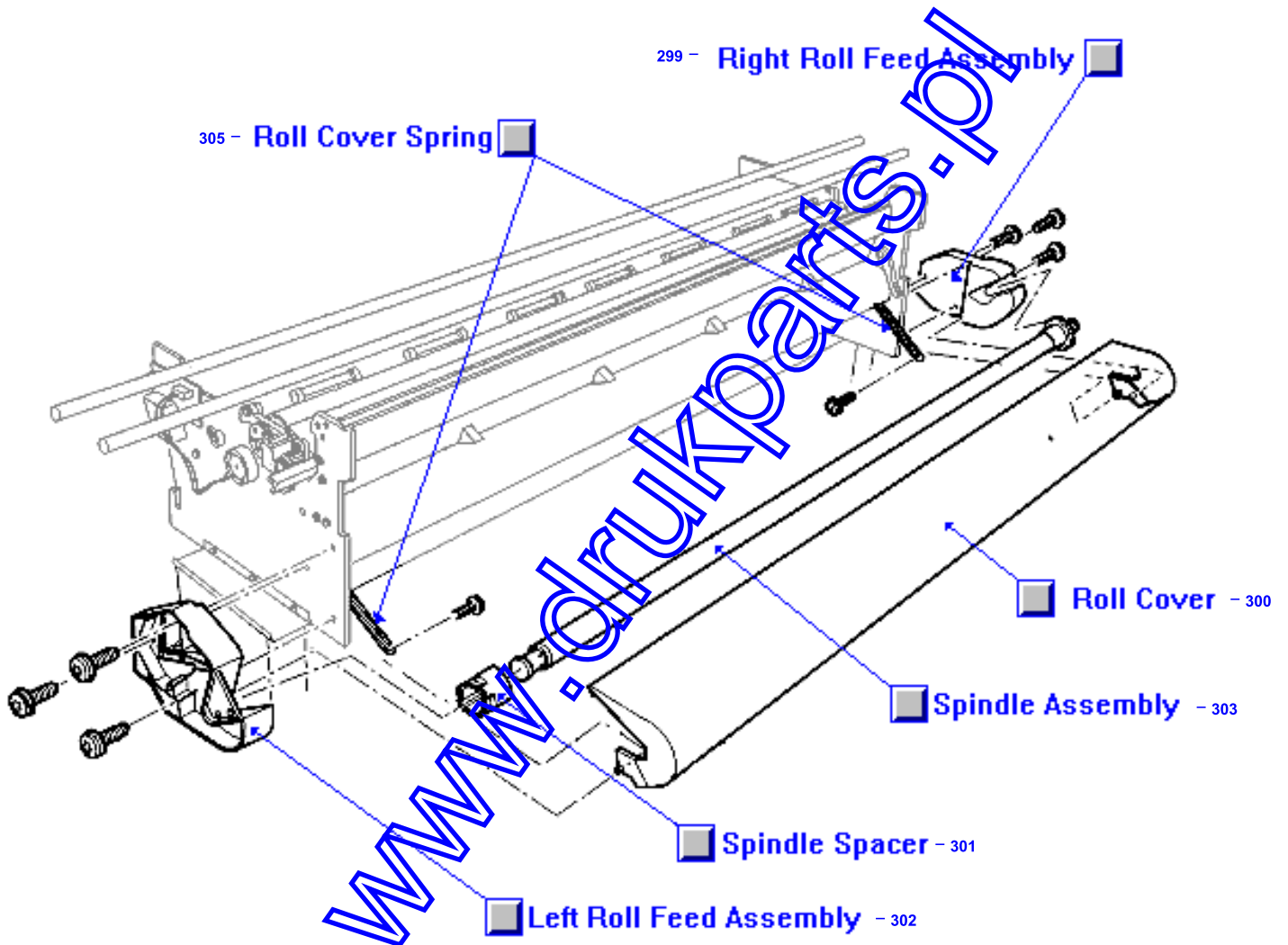
Refill Interconnect Board, Bail Motor and Cutter Assembly



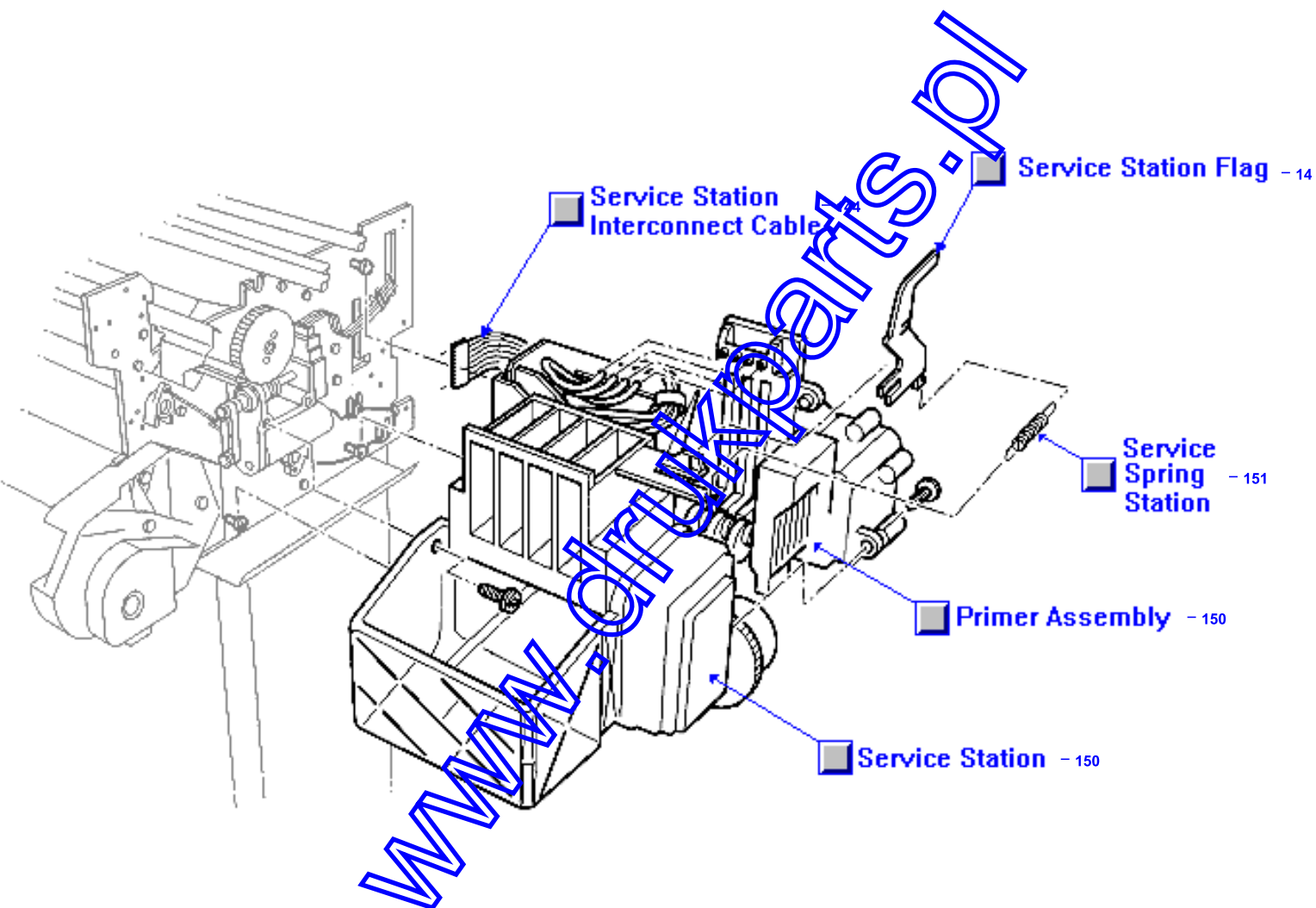
Right Hand Cover Area



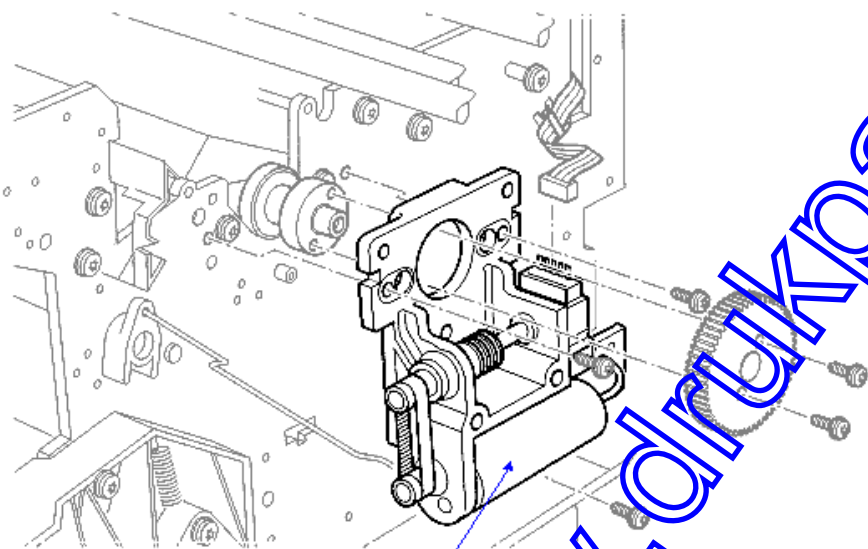
Roll Cover Area



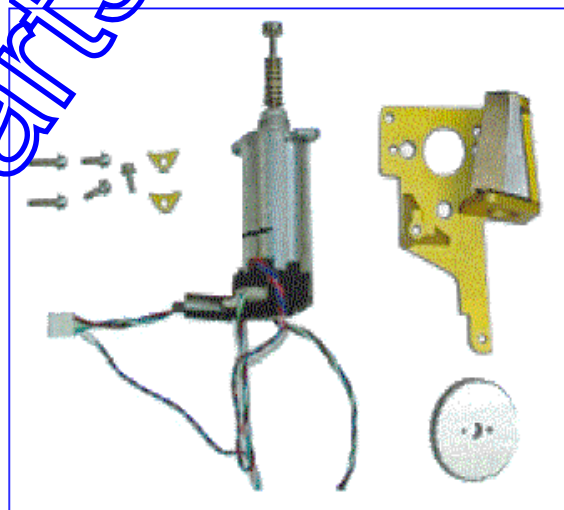
Service Station Assembly



X-Axis Motor Assembly



286, 287 - X-Axis Motor Assembly
[Old Style]



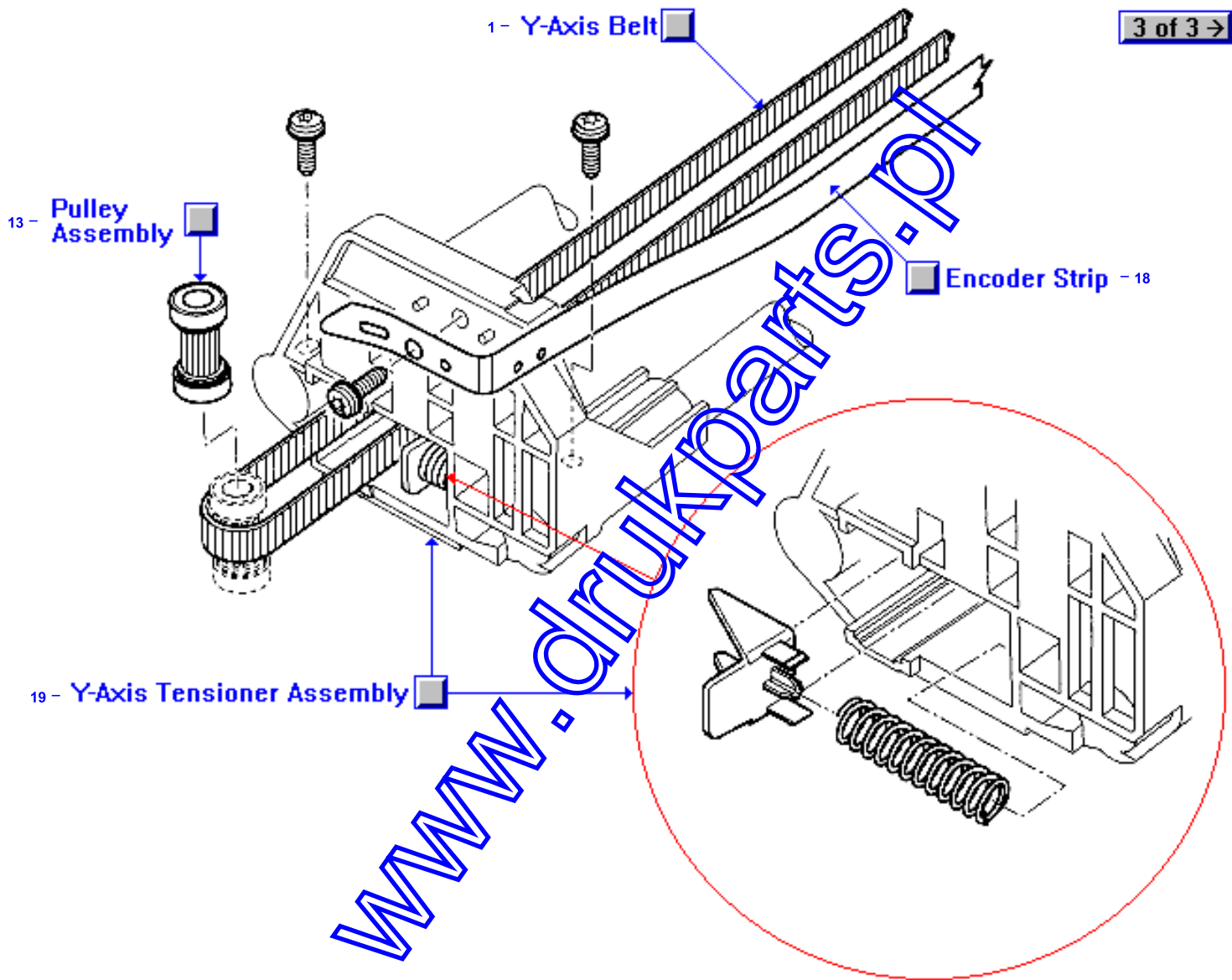
286, 287 - X-Axis Motor Replacement Kit
[New Style]

www.drukparts.pl

Y-Axis Assembly (1 of 3) Belt, Tensioner, Pulley and Encoder

2 of 3 →

3 of 3 →

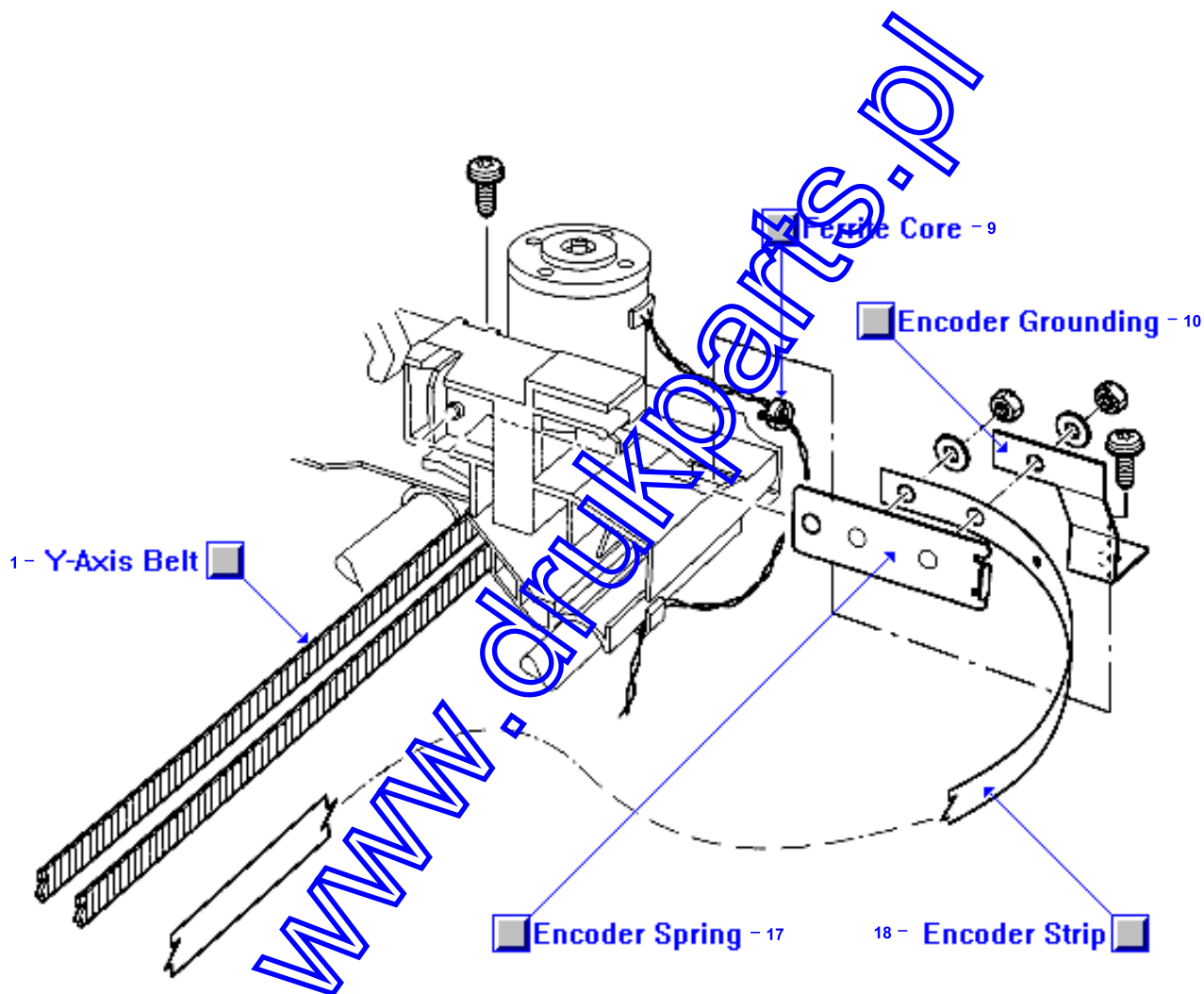


REAR VIEW

Y-Axis Assembly (2 of 3) Belt, Encoder Strip, Hardware

← 1 of 3

3 of 3 →

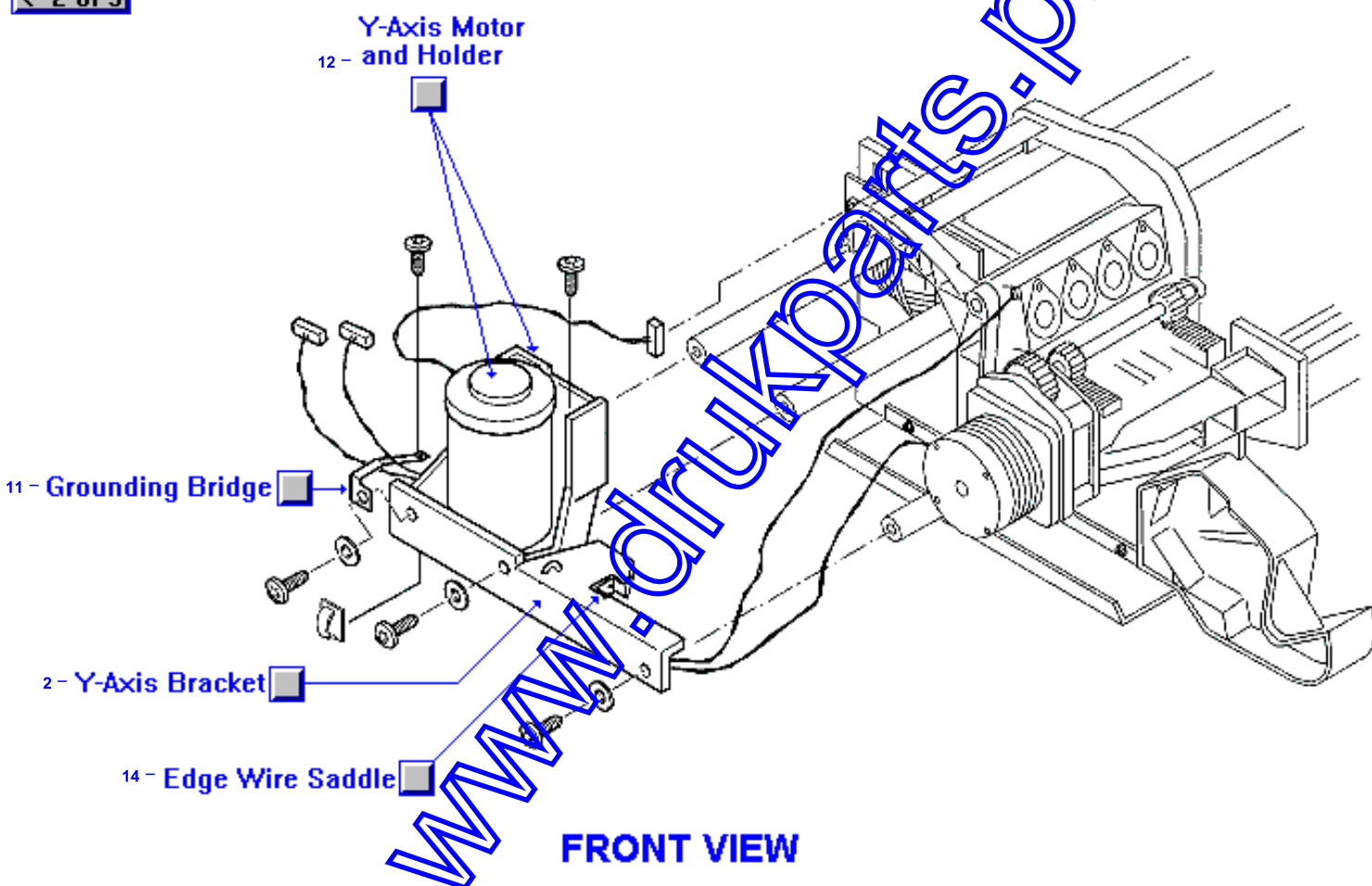


REAR VIEW

Y-Axis Assembly (3 of 3) Motor and Hardware

← 1 of 3

← 2 of 3





HP Parts Reference Guide

<http://www.hp.com/go/parts>

HP PartSurfer

<http://partsurfer.hp.com>

HP Parts Ordering Information

<http://www.hp.com/go/hpparts>

HP Parts Questions/Comments

<http://partsurfer.hp.com/contactus.htm>

www.drukparts.pl