



Carriage Drive Parts

Belt

1 C4723-60235 Carriage (Y-axis) belt - Drives the carriage assembly

Bracket

2 C4704-00005 Y-axis motor bracket - Includes edge wire saddle - Holds Y-Axis Motor

Bushing

3 C4704-40084 Rear slider rod bushing (Spring loaded)

Cable

4 C4723-60237 Carriage assembly trailing cable - Three ribbon cables bundled together - 2.4m (7.7ft) long

Carriage Kit

5 C4723-69096 Carriage assembly - Includes carriage assembly, line sensor, encoder, rear bushing, calibration pen, digitizing sight, gauges - Trailing cable and cable clamp not included
REQUIRES RETURN OF DEFECTIVE PART

C4723-60096 *New Part for C4723-69096*

Clamp

6 C4704-40085 Trailing cable clamp - Secures the trailing cable to the carriage assembly

Cover

7 C4704-40080 Encoder strip roof

8 C4704-60117 Line sensor lens cover

Ferrite Assembly

9 9170-1687 Ferrite core - Installed on Y-AXIS motor cable

Ground Strap

10 C4704-00016 Encoder ground strap - Provides ground to end of encoder strip

11 C4704-00035 Ground strap - Attached to Y-AXIS bracket

Motor

12 C4723-60277 Carriage (Y-Axis) motor assembly - Drives carriage belt - Includes motor, motor holder, and cable

Pulley

13 C4704-60020 Idler pulley - For carriage (Y-axis) belt - On right end of plotter

Saddle

14 0460-2536 Edge wire saddle for Y-axis bracket

Sensor

C4723-60096 Line sensor - Detects paper width and skew - Measures calibration accuracy and printhead alignment

Spring

16 C1633-80014 Compression spring - For the rear bushing on the carriage

17 C4699-00016 Encoder spring

Strip

18 C4723-60232 Encoder strip - Used to determine carriage position

Tensioner

19 C4723-60063 Y-axis tensioner assembly - Applies tension to carriage belt - Includes wedge, tensioner spring, and housing

Electronic Accessories

Cable (Interface)

5063-1256 IEEE-1284 Bi-Tronics parallel cable - DB-25 (M) connector (type A) to 36 pin Centronics (M) connector (type B) - 2.0m (6.6ft) long

5063-1257 IEEE-1284 Bi-Tronics parallel cable - DB-25 (M) connector (type A) to 36 pin Centronics (M) connector (type B) - 3.0m (9.8ft) long

92215S RS-422 serial cable - 8 pin (M) to 8 pin (M) - 2.0m (6.6ft) long - For connecting Apple Macintosh with LocalTalk/serial connector



Electronic Accessories

Cable (Interface)

C2950A	IEEE-1284 Bi-Tronics parallel cable - DB-25 (M) connector (type A) to 36 pin Centronics (M) connector (type B) - 2.0m (6.6ft) long
5063-1256	<i>New Part for C2950A</i>
C2951A	IEEE-1284 Bi-Tronics parallel cable - DB-25 (M) connector (type A) to 36 pin Centronics (M) connector (type B) - 3.0m (9.8ft) long
C2990A	IEEE-1284 Bi-Tronics parallel cable - DB-25 (M) (type A) to 36 pin (M) Centronics (type B) - 1.8m (6ft) long NO LONGER SUPPLIED
C2991A	IEEE-1284 Bi-Tronics parallel cable - DB-25 (M) (type A) to 36 pin (M) Centronics (type B) - 3.0m (10ft) long NO LONGER SUPPLIED

Memory (Product)

C6229A	4MB SIMM memory module - For DesignJet CP printer NO LONGER SUPPLIED
C6230A	8MB SIMM memory module - For DesignJet CP printer NO LONGER SUPPLIED
C6231A	16MB SIMM memory module - For DesignJet 400, 700, CP series printers NO LONGER SUPPLIED
C6232A	32MB SIMM memory module upgrade - For DesignJet 400, 700, CP series printers

Memory (SIMM)

1818-6171	4MB EDO (Extended Data Output) DRAM SIMM memory module
1818-6172	8MB EDO (Extended Data Output) DRAM SIMM memory module NO LONGER SUPPLIED
C4723-60263	8MB EDO (Extended Data Output) DRAM SIMM memory module
C4723-60264	16MB, 60nS EDO (Extended Data Output) DRAM SIMM memory module

Electronics/Power Supply

Cable

C4704-60021	Hard drive power cable - Has 4 pin (F) connectors - 47.6cm (18.8 inches) long
C4704-60022	Ribbon cable for one IDE drive - 40 pin (F) connector to 40 pin (F) connector - 31.8cm (12.5 inches) long
C4723-60025	Ribbon cable assembly with ferrite - Has 28 pin (F) connectors - 1.7m (5.6ft) long
C4723-60237	Carriage assembly trailing cable - Three ribbon cables bundled together - 2.4m (7.7ft) long

Carriage Kit

C4723-69096	Carriage assembly - Includes carriage assembly, line sensor, encoder, rear bushing, calibration pen, digitizing sight, gauges - Trailing cable and cable clamp not included REQUIRES RETURN OF DEFECTIVE PART
C4723-60096	<i>New Part for C4723-69096</i>

Drive

C4724-69021	4.3GB hard disk drive REQUIRES RETURN OF DEFECTIVE PART
C4724-60021	<i>New Part for C4724-69021</i>

Firmware

C4723-69294	Firmware SIMM kit (Revision A.04.08) - Mounts in the electronics module - NOTE: this is not a postscript SIMM REQUIRES RETURN OF DEFECTIVE PART
C4723-60294	<i>New Part for C4723-69294</i>

Front Panel

C4704-60255	Front (Control) panel and cable assembly - Includes function buttons and display
-------------	--

Memory (SIMM)

1818-6171	4MB EDO (Extended Data Output) DRAM SIMM memory module
1818-6172	8MB EDO (Extended Data Output) DRAM SIMM memory module NO LONGER SUPPLIED



Electronics/Power Supply

Memory (SIMM)

- 45 C4723-60263 8MB EDO (Extended Data Output) DRAM SIMM memory module
- 46 C4723-60264 16MB, 60nS EDO (Extended Data Output) DRAM SIMM memory module

Module

- 47 C4723-69114 Electronics module - Includes power supply, fan, and main board
REQUIRES RETURN OF DEFECTIVE PART
- C4723-60114 *New Part for C4723-69114*

Motor

- 48 C4723-60040 Bail motor

PC Board

- 49 C4704-60009 Refill interconnect board

PC Board (Interface)

- 50 J2552-69013 LAN and LocalTalk interface - EtherTwist (10Base-T), ThinLAN (10Base-2), and LocalTalk (DIN-8) connectors

PostScript

- 51 C4704-69343 PostScript SIMM kit - Version 8.1.01
REQUIRES RETURN OF DEFECTIVE PART
- C4704-60343 *New Part for C4704-69343*

Power Cord

- 8120-0698 Power cord (Black) - 18 AWG, 2.3m (7.5ft) long - Has straight (F) receptacle (For 220V/240V in the USA and Canada)
- 8120-1378 Power cord (Jade Gray) - 18 AWG, 2.3m (7.5ft) long - Has straight (F) receptacle (For 120V in USA, Canada, Latin America, Korea, Taiwan, Thailand, Spain, Brazil, and Vietnam)

Sensor

- 54 C4704-60029 Right end cover and window closed sensors - Includes cable and connector
- 55 C4704-60052 Pincharm sensor
- 56 C4704-60058 Left end cover sensor - Includes cable and connector
- 57 C4704-60195 Media sensor assembly - Includes, edge measuring and secondary levers, media sensor and holder
- C4723-60096 Line sensor - Detects paper width and skew - Measures calibration accuracy and printhead alignment

Switch

- 59 C4704-60056 Power switch - Includes cable
- 60 C4704-60261 Stand-by switch assembly
- 61 C4723-60017 Media load switch assembly

External Case Parts

Cover

- C4704-00004 MIO (Modular input/output) cover
- 63 C4704-00033 SIMM slot cover
- 64 C4704-40057 Electronics module left cover
- 65 C4704-40058 Electronics module right cover
- 66 C4704-60274 Electronics module cover
- 67 C4723-00010 Rear cover
- 68 C4723-20008 Electronics module center cover
- 69 C4723-60115 Right end cover - Has cut outs for the control panel
- 70 C4723-60116 Left end cover

Cross-Brace

- 71 C4723-60077 Cross-brace - Main structure that extends between stand legs



External Case Parts

Foot

72 C4723-60086 Foot assembly (includes casters)

Hardware Kit

73 C4723-60095 Hardware kit - Includes screwdriver and screws for printer stand

Holder

74 C4704-60218 Quick reference holder pocket - Holds quick reference guides and media knife

Label

C4704-00119 Adobe PostScript label

Leg

76 C4704-60075 Leg assembly - Side support for the plotter - Does NOT include the foot assembly

Nameplate/Logo

C4724-00001 Nameplate - DesignJet 3500CP

Overlay

C4723-60201 Front panel overlay - Shows the function of the front panel buttons and indicator lights (English)
C4723-60202 Front panel overlay - Shows the function of the front panel buttons and indicator lights (Korean)
C4723-60203 Front panel overlay - Shows the function of the front panel buttons and indicator lights (Taiwanese)
C4723-60204 Front panel overlay - Shows the function of the front panel buttons and indicator lights (German)
C4723-60205 Front panel overlay - Shows the function of the front panel buttons and indicator lights (French)
C4723-60206 Front panel overlay - Shows the function of the front panel buttons and indicator lights (Spanish)
C4723-60207 Front panel overlay - Shows the function of the front panel buttons and indicator lights (Italian)
C4723-60208 Front panel overlay - Shows the function of the front panel buttons and indicator lights (Japanese)
C4723-60209 Front panel overlay - Shows the function of the front panel buttons and indicator lights (Portuguese)
C4723-60210 Front panel overlay - Shows the function of the front panel buttons and indicator lights (Chinese)

Sensor

88 C4723-69071 Take-up reel sensor assembly
REQUIRES RETURN OF DEFECTIVE PART
C4723-60071 New Part for C4723-69071

Spindle

89 C4723-60064 Take-up reel spindle assembly

Support

90 C4723-60072 Take-up reel left hand support assembly
91 C6246-60009 Take-up reel right hand support assembly

Tray

92 C4723-60084 Plotter stand tray assembly - Mounted between the feet of plotter

Tube Kit

93 C4723-60060 Media weight and cable kit for the take-up reel

Window

94 C4723-60236 Lift-up viewing window

Optional Interfaces

Interface (Product)

J2552B LAN & LocalTalk interface - Has EtherTwist (10Base-T), ThinLAN (10Base-2), and LocalTalk (DIN-8) connectors
NO LONGER SUPPLIED
J2555B Token ring LAN interface board - DB-9 and RJ-45 connectors
NO LONGER SUPPLIED
J2590A External JetDirect LAN interface module with RJ-45 connector for EtherTwist (10Base-T) or 100VG/802.12 input and 3 parallel (DB-25) output connectors
NO LONGER SUPPLIED



Optional Interfaces

Interface (Product)

J2591A	External JetDirect LAN interface module and power module - Has EtherTwist (10Base-T) and ThinLAN (10Base-2) connectors NO LONGER SUPPLIED
J3264A	External JetDirect 500X token ring interface module - Interfaces up to 3 parallel printers to a token ring (DB-9 or RJ-45) LAN
J3265A	External JetDirect 500X LAN interface module - Interfaces up to 3 parallel printers to an ethernet 10Base-T (RJ-45), 10Base2 (BNC), or 100Base-TX (RJ-45) LAN

Module

J2590-69001	External JetDirect LAN interface module with RJ-45 connector for ethertwist (10Base-T) or 100VG/802.12 input and 3 parallel (DB-25) output connectors REQUIRES RETURN OF DEFECTIVE PART
J2590-61011	<i>New Part for J2590-69001</i>
J2591-69001	External JetDirect LAN interface module with ethertwist (10Base-T) and ThinLAN (10BASE-2) connectors
J2593-69001	External JetDirect LAN interface module with Ethertwist (10Base-T) and ThinLAN (10BASE-2) input connectors and 3 parallel (DB-25) output connectors - (part of J2593A)
J2594-69001	External JetDirect token ring interface module with DB-9 and RJ-45 input connectors and 3 parallel (DB-25) output connectors - (part of J2594A) REQUIRES RETURN OF DEFECTIVE PART
J2594-61011	<i>New Part for J2594-69001</i>

PC Board (Interface)

J2552-69013	LAN and LocalTalk interface - EtherTwist (10Base-T), ThinLAN (10Base-2), and LocalTalk (DIN-8) connectors
J2555-69013	Token ring LAN interface board - DB-9 and RJ-45 connectors

Other Accessories

CD-ROM (Support)

C7769-90066	DesignJet support CD ROM - Version A.04.01 - Has product information, user's manuals, service manuals, diagnostic software, test drawings, newsletters, and service notes
-------------	---

Cleaning Supplies

C6247A	DesignJet cleaning kit - Includes cleaning solution and 20 cleaning rags
--------	--

Humidor

C6236A	DesignJet CP ink system storage container - Holds printheads and printhead cleaners when not in use
--------	---

Ink System Return Kit

5183-5283	Return kit (Box and instructions) - For returning defective large format printer ink systems covered under CREW program
-----------	---

Ink and Printhead

C1806A	Black ink system - Includes print head, print head cleaner and ink cartridge
C1807A	Cyan ink system - Includes print head, print head cleaner and ink cartridge
C1808A	Magenta ink system - Includes print head, print head cleaner and ink cartridge
C1809A	Yellow ink system - Includes print head, print head cleaner and ink cartridge
C1892A	Black UV ink system - Includes print head, print head cleaner and ink cartridge
C1893A	Cyan UV ink system - Includes print head, print head cleaner and ink cartridge
C1894A	Magenta UV ink system - Includes print head, print head cleaner and ink cartridge
C1895A	Yellow UV ink system - Includes print head, print head cleaner and ink cartridge

Kit

C4723-60141	Preventive maintenance kit - Contains line sensor cover, encoder strip, Y-AXIS pulley, belt, motor, cutter, silicon grease, plastic surface cleaner, synthetic oil and wipes
C4723-60238	Adjustment kit - Includes instructions, empty cartridge, digitizing sight (magnifier) and gauge



Other Accessories

Lubricant

6040-0855 Synthetic oil - 4oz (113g) plastic bottle

Manual

5959-9733 HP-GL/2 & HP RTL reference guide - Programming information, handbook for developers

5959-9734 Comparison guide for HP-GL/2 and RTL peripherals (English)

C4723-60211 DesignJet 3500CP Adobe Postscript manual (English)

Manual Kit

C4724-60011 DesignJet 3000CP/3500CP manual kit - Includes assembly instructions, setup guide, user's guide, quick reference guide and network connection guide (English)

Software

C6072-60281 Toolbox and driver software - HP-GL/2 and RTL drivers for Windows 3.1/95/98/NT 4.0 (all DesignJets), and toolbox software for Windows 95/NT 4.0 (Only for DesignJet 430/450C/455CA/1050C/1055CM) - On 3.5-inch 1.44MB floppy disks (English)

C6072-60284 Toolbox and driver software - HP-GL/2 and RTL drivers for Windows 3.1/95/98/NT 4.0 (all DesignJets), and toolbox software for Windows 95/NT 4.0 (Only for DesignJet 430/450C/455CA/1050C/1055CM) - On 3.5-inch 1.44MB floppy disks (German)

C6072-60285 Toolbox and driver software - HP-GL/2 and RTL drivers for Windows 3.1/95/98/NT 4.0 (all DesignJets), and toolbox software for Windows 95/NT 4.0 (Only for DesignJet 430/450C/455CA/1050C/1055CM) - On 3.5-inch 1.44MB floppy disks (French)

C6072-60286 Toolbox and driver software - HP-GL/2 and RTL drivers for Windows 3.1/95/98/NT 4.0 (all DesignJets), and toolbox software for Windows 95/NT 4.0 (Only for DesignJet 430/450C/455CA/1050C/1055CM) - On 3.5-inch 1.44MB floppy disks (Spanish)

C6072-60287 Toolbox and driver software - HP-GL/2 and RTL drivers for Windows 3.1/95/98/NT 4.0 (all DesignJets), and toolbox software for Windows 95/NT 4.0 (Only for DesignJet 430/450C/455CA/1050C/1055CM) - On 3.5-inch 1.44MB floppy disks (Italian)

C6072-60301 HP-GL/2 driver software for AutoCAD - For DOS and Windows 3.1/95/NT 4.0 - On 3.5-inch 1.44MB floppy disks (English)

C6072-60304 HP-GL/2 driver software for AutoCAD - For DOS and Windows 3.1/95/NT 4.0 - On 3.5-inch 1.44MB floppy disks (German)

C6072-60305 HP-GL/2 driver software for AutoCAD - For DOS and Windows 3.1/95/NT 4.0 - On 3.5-inch 1.44MB floppy disks (French)

C6072-60306 HP-GL/2 driver software for AutoCAD - For DOS and Windows 3.1/95/NT 4.0 - On 3.5-inch 1.44MB floppy disks (Spanish)

C6072-60307 HP-GL/2 driver software for AutoCAD - For DOS and Windows 3.1/95/NT 4.0 - On 3.5-inch 1.44MB floppy disks (Italian)

C6071-60368 ZEHRaster software for UNIX - Allows TIFF and JPEG printing on DesignJet 700 series, 1000 series, and CP series (Japanese)

C7779-60040 ZEHRaster software for UNIX - Allows TIFF and JPEG printing on DesignJet 700 series, 1000 series, and CP series (Chinese)

C7779-60041 ZEHRaster software for UNIX - Allows TIFF and JPEG printing on DesignJet 700 series, 1000 series, and CP series (English)

C7779-60042 ZEHRaster software for UNIX - Allows TIFF and JPEG printing on DesignJet 700 series, 1000 series, and CP series (Korean)

C7779-60043 ZEHRaster software for UNIX - Allows TIFF and JPEG printing on DesignJet 700 series, 1000 series, and CP series (Taiwanese)

C7779-60044 ZEHRaster software for UNIX - Allows TIFF and JPEG printing on DesignJet 700 series, 1000 series, and CP series (German)

C7779-60045 ZEHRaster software for UNIX - Allows TIFF and JPEG printing on DesignJet 700 series, 1000 series, and CP series (French)

C7779-60046 ZEHRaster software for UNIX - Allows TIFF and JPEG printing on DesignJet 700 series, 1000 series, and CP series (Spanish)

C7779-60047 ZEHRaster software for UNIX - Allows TIFF and JPEG printing on DesignJet 700 series, 1000 series, and CP series (Italian)

Other Internal Parts**Bushing**

145 C3195-40076 Cutter bushing - Connects cutter assembly to slider rod

Cable

146 C4704-60024 Ribbon cable assembly - Has 28 pin (F) connectors - 23.5cm (9.3 inches) long

Clamp

147 C4723-40086 Trailing cable holder

Cutter

148 C4723-60244 Cutter assembly - Auto cutter for rollfeed paper

Elevator

149 C4704-60033 Elevator platform assembly - Raises and lowers ink cartridges to fill the print heads - Located on left side of plotter

Flag

150 C4704-40007 Service station flag - Spring loaded flag on right side of service station

Refill Assembly

151 C4723-60249 Refill assembly - Mounted inside the left hand cover - Includes motor and gears

Service Station

152 C4723-60276 Service station assembly

Spring

153 C4704-80009 Service station spring

Support

154 C4723-60290 Electronics support frame and cover supports - Includes the support located above the refill interconnect cable and the two supports used to mount the rear cover

Trim

155 C4704-60113 Right trim assembly - At right of entry platen

156 C4723-60111 Left trim assembly - At left of entry platen

Paper Drive Parts**Bail**

276 C4723-60279 Bail assembly - Mounting strip assembly for the starwheel mount assemblies (Not included) - Extends width of plotter

Bushing

277 C1633-40082 Pincharm spring retaining bushing

Cam

278 C3180-40020 Pinch arm cam - Attached to pinch arm (Media) lever

279 C3190-60149 Left cam journal - Mounted on left end of pincharm shaft

Gear

280 C1633-40019 Overdrive gear cluster

Guard

281 C4723-60250 Starguard starwheel cover assembly

Guide

282 C4723-60110 Media guide - Mounted above the entry platen

Lever

283 C4704-40059 Pinch arm (media) lever - Used when loading paper

Link

284 C4723-00025 Front wire link



Paper Drive Parts

Motor

- 285 C4723-60303 X-AXIS motor assembly - Includes motor, belt, and worm gear - No longer supplied - Order X-AXIS motor assembly kit
NO LONGER SUPPLIED
C4724-60053 *New Part for C4723-60303*
- 286 C4724-60053 X-Axis motor assembly kit - New design does not use a belt - Kit includes motor with attached worm gear, helical gear, motor mount, screws and nuts for mounting the parts, grease for the helical gear, installation instructions

Overdrive Assy

- 287 C4723-60234 Overdrive assembly - Includes overdrive shims, clutch and overdrive gear

Pincharm

- 288 C4723-60247 Pincharm Assembly - Curved black plastic plate with 4 small rubber rollers (Does NOT include spring or bushing)

Platen

- 289 C4723-60246 Entry Platen Assembly - Curved cover/guide that is next to the paper drive (Platen) roller

Roller

- 290 C4723-60242 Paper drive (Platen) roller assembly - Long gear driven roller

Sensor

- 291 C4704-60052 Pincharm sensor
- 292 C4704-60195 Media sensor assembly - Includes, edge measuring and secondary levers, media sensor and holder

Shaft

- 293 C4723-60240 Pincharm shaft assembly - Includes cam journals mounted on each end

Spring

- 294 C1633-80005 Compression spring between pincharm assembly and bushing

Starwheel Mount

- 295 C4704-60143 Big starwheel mount assembly - Includes cover, body, spring and two starwheels
- 296 C4713-60035 Starwheel mount assembly - Includes cover, body, spring and two starwheels

Support

- 297 C4704-40026 Roller support bracket on left side plate

Paper and Other Media

Canvas

- C6771A Studio canvas (368 gsm) - 91.4cm (36in) x 10.7m (35ft) roll - For regular ink or UV resistant ink
- C6773A Studio canvas (368 gsm) - 137.2cm (54in) x 10.7m (35ft) roll - For regular ink or UV-resistant ink
- C7966A Canvas with Matte finish - 91.4cm (36in) x 10.7m (35ft) (USA)
- C7967A Canvas with Matte finish - 91.4cm (36in) x 10.7m (35ft) (USA)
- C7968A Canvas with Matte finish - 137.2cm (54in) x 10.7m (35ft) (USA)
- Q1696A Canvas Matte - 137.2cm (54in) x 10.7m (35ft) (USA)
- Q1724A Canvas Paper (80 gsm) - 91.4cm (36in) x 10.7m (35ft) (USA)

Film (Adhesive)

- C6760A 3M 8522CP opaque imaging media - 91.4cm (36in) x 13.7m (45ft) roll - Flexible white opaque vinyl with removable pressuresensitive adhesive backing for outdoor use - UV ink only
- C6761A 3M 8519CP lustre (Semi-gloss) overlamine - 91.4cm (36in) x 22.9m (75ft) roll - Vinyl with pressure sensitive adhesive backing - Used to protect 3M 8522CP opaque imaging media
- C6762A 3M 8520CP matte overlamine - 91.4cm (36in) x 22.9m (75ft) roll - Vinyl with pressure sensitive adhesive backing - Used to protect 3M 8522CP opaque imaging media
- C1882A 3M 8522CP opaque imaging media - 137.2cm (54in) x 13.7m (45ft) roll - Flexible white opaque vinyl with removable pressure sensitive adhesive backing for outdoor use - UV ink only
- C1884A 3M 8519CP Lustre (semi-gloss) Overlamine - 137.2cm (54in) x 22.9m (75ft) roll - Vinyl with pressure sensitive adhesive backing - Used to protect 3M 8522CP opaque imaging media
- C1886A 3M 8520CP matte overlamine - 137.2cm (54in) x 22.9m (75ft) roll - Vinyl with pressure sensitive adhesive backing - Used to protect 3M 8522CP opaque imaging media

Paper and Other Media**Film (Glossy)**

- C6794A Durable Imaging Glossy UV media - For UV ink only - 91.4cm (36in) x 30.5m (100ft) roll
C6795A Durable Imaging Glossy UV media - For UV ink only - 137.2cm (54in) x 30.5m (100ft) roll

Film (Matte)

- C7909A Double Matte Eraseable Film - 61cm (24in) x 38.1m (125ft) (USA)
C7910A Double Matte Eraseable Film - 76.2cm (30in) x 38.1m (125ft) (USA)
C7911A Double Matte Eraseable Film - 91.4cm (36in) x 38.1m (125ft) (USA)
C7912A Double Matte Film - 106.7cm (42in) x 38.1m (125ft) (USA)
Q1736A Polyester Film White Matte - 91.4cm (36in) x 15.2m (50ft) (USA)
Q1737A Polyester Film White Matte - 137.2cm (54in) x 15.2m (50ft) (USA)

Film (Opaque)

- C7955A Opaque White Glossy Polyester Film - 61cm (24in) x 15.2m (50ft) (USA)
C7956A Opaque White Glossy Film - 91.4cm (36in) x 15.2m (50ft) (USA)
C7957A Opaque Polyester Film - 106.7cm (42in) x 3.0m (10ft) (USA)
C7958A Opaque Polyester Film - 137.2cm (54in) x 15.2m (50ft) (USA)

Paper

- C7923A Basic Heavyweight Paper - 61cm (24in) x 30.5m (100ft) (USA and Asia/Pacific)
C7924A Basic Heavyweight Paper - 91.4cm (36in) x 30.5m (100ft) (USA and Asia/Pacific)
C7925A Basic Heavyweight Paper - 106.7cm (42in) x 30.5m (100ft) (USA and Asia/Pacific)
C7926A Basic Heavyweight Paper - 137.2cm (54in) x 30.5m (100ft) (USA and Asia/Pacific)
C7929A Super Heavyweight Paper - 61cm (24in) x 22.9m (75ft) (USA and Asia/Pacific)
C7930A Super Heavyweight Paper - 91.4cm (36in) x 22.9m (75ft) (USA and Asia/Pacific)
C7931A Super Heavyweight Paper - 106.7cm (42in) x 22.9m (75ft) (USA)
C7932A Super Heavyweight Paper - 137.2cm (54in) x 22.9m (75ft) (USA)
C7950A Outdoor Billboard - 137.2cm (54in) x 30.5m (100ft) (USA)
C8284A Basic Coated Paper - 137.2cm (54in) x 45.7m (150ft) (USA and Asia/Pacific)
Q1703A Fine Art Aquarella paper - 91.4cm (36in) x 10.7m (35ft) roll (USA)
Q1706A Fine Art Vanilla paper - 91.4cm (36in) x 10.7m (35ft) (USA)
Q1709A Fine Art Cream paper - 91.4cm (36in) x 10.7m (35ft) roll (USA)
Q1712A Fine Art Ice Blue paper - 91.4cm (36in) x 10.7m (35ft) (USA)
Q1715A Fine Art Sahara paper - 91.4cm (36in) x 10.7m (35ft) roll (USA)
Q1730A Outdoor Paper - 91.4cm (36in) x 30.5m (100ft) (USA)
Q1731A Outdoor Paper - 137.2cm (54in) x 30.5m (100ft) (USA)
Q1733A Indoor Self Adhesive Paper - 91.4cm (36in) x 22.9m (75ft) (USA)
Q1734A Indoor Self Adhesive paper - 137.2cm (54in) x 22.9m (75ft) (USA)
Q1739A Heat Transfer Paper - 91.4cm (36in) x 30.5m (100ft) (USA)
Q1740A Heat Transfer Paper - 137.2cm (54in) x 30.5m (100ft) (USA)
Q1745A Paper Backed Fabric Polyester - 91.4cm (36in) x 10.1m (33ft) (USA)
Q1746A Paper Backed Fabric Polyester - 137.2cm (54in) x 10.1m (33ft) (USA)
Q1748A Paper Backed Fabric Silk Satin - 91.4cm (36in) x 10.1m (33ft) (USA)
Q1749A Paper Backed Fabric Silk Satin - 137.2cm (54in) x 10.1m (33ft) (USA)
Q1757A Fluorescent Yellow Colored Paper - 91.4cm (36in) x 45.7m (150ft) (USA)
Q1760A Yellow Colored Paper - 91.4cm (36in) x 45.7m (150ft) (USA)



Paper and Other Media

Paper (Backlit)

- C7960A Backlit Reverse Print paper - 91.4cm (36in) x 22.9m (75ft) (USA)
- C7961A Backlit Reverse Print paper - 137.2cm (54in) x 22.9m (75ft) (USA)
- C6778A Colorlucent backlit UV paper - 91.4cm (36in) x 30.5m (100ft) roll - For UV (pigmented) inks ONLY
- C6779A Colorlucent backlit UV paper - 137.2cm (54in) x 30.5m (100ft) roll - For UV (pigmented) inks ONLY

Paper (Banner)

- C6786A Banner paper with Tyvek (140 gsm) - UV ink only - 61cm (24in) x 15.2m (50ft) roll
NO LONGER SUPPLIED
- C6787A Banner paper with Tyvek (140 gsm) - UV ink only - 91.4cm (36in) x 15.2m (50ft) roll
- C6789A Banner paper with Tyvek (140 gsm) - UV ink only - 91.4cm (36in) x 15.2m (50ft) roll

Paper (Bright White)

- C1860A Bright white InkJet paper - 61cm (24in) x 45.7m (150ft) roll
- C1861A Bright white InkJet paper - 91.4cm (36in) x 45.7m (150ft) roll
- C6810A Bright white InkJet paper - 91.4cm (36in) x 91.4m (300ft) roll

Paper (Coated)

- C8281A Basic Coated Paper - 61cm (24in) x 45.7m (150ft) (USA and Asia/Pacific)
- C8282A Basic Coated Paper - 91.4cm (36in) x 45.7m (150ft) roll (USA and Asia/Pacific)
- C6019B Coated paper (98 gsm) - 61cm (24in) x 45.7m (150ft) roll (USA, Canada, and Latin America)
- C6021B Heavyweight coated paper - 61cm (24in) x 30.5m (100ft) roll (USA, Canada, and Latin America)
NO LONGER SUPPLIED
- C6027A Coated paper (98 gsm) - 61cm (24in) x 45.7m (150ft) roll (Europe, Asia/Pacific, and Japan)
NO LONGER SUPPLIED
- C6029B Heavyweight coated paper - 61cm (24in) x 30.5m (100ft) roll (Europe, Asia/Pacific, and Japan)
NO LONGER SUPPLIED
- C6029C Heavyweight coated paper - 61cm (24in) x 30.5m (100ft) roll - For regular or UV resistant ink
- C6020B Coated paper (98 gsm) - 91.4cm (36in) x 45.7m (150ft) roll (USA, Canada, and Latin America)
- C6022B Heavyweight coated paper - 91.4cm (36in) x 30.5m (100ft) roll (USA, Canada, and Latin America)
NO LONGER SUPPLIED
- C6028A Coated paper (98 gsm) - 91.4cm (36in) x 45.7m (150ft) roll (Europe, Asia/Pacific, and Japan)
NO LONGER SUPPLIED
- C6030B Heavyweight coated paper - 91.4cm (36in) x 30.5m (100ft) roll (Europe, Asia/Pacific, and Japan)
NO LONGER SUPPLIED
- C6030C Heavyweight coated paper - 91.4cm (36in) x 30.5m (100ft) roll - For regular or UV resistant ink
- C6559B Coated paper (98 gsm) - 106.7cm (42in) x 45.7m (150ft) roll (USA, Canada, and Latin America)
- C6561B Heavyweight coated paper - 106.7cm (42in) x 30.5m (100ft) roll (USA, Canada, and Latin America)
NO LONGER SUPPLIED
- C6567B Coated paper (98 gsm) - 106.7cm (42in) x 45.7m (150ft) roll (Europe, Asia/Pacific, and Japan)
- C6569B Heavyweight coated paper - 106.7cm (42in) x 30.5m (100ft) roll (Europe, Asia/Pacific, and Japan)
NO LONGER SUPPLIED
- C6569C Heavyweight coated paper - 106.7cm (42in) x 30.5m (100ft) roll - For regular or UV resistant ink
- C6560B Coated paper (98 gsm) - 137.2cm (54in) x 45.7m (150ft) roll (USA, Canada, and Latin America)
- C6562B Heavyweight coated paper - 137.2cm (54in) x 30.5m (100ft) roll (USA, Canada, and Latin America)
NO LONGER SUPPLIED
- C6568B Coated paper (98 gsm) - 137.2cm (54in) x 45.7m (150ft) roll (Europe, Asia/Pacific, and Japan)
- C6570B Heavyweight coated paper - 137.2cm (54in) x 30.5m (100ft) roll (Europe, Asia/Pacific, and Japan)
NO LONGER SUPPLIED
- C6570C Heavyweight coated paper - 137.2cm (54in) x 30.5m (100ft) roll - For regular or UV resistant ink



Paper and Other Media

Paper (Fabric)

Q1742A Matte Cotton Fabric print media (190 gsm) - 91.4cm (36in) x 10.1m (33ft) (USA)

Paper (Glossy)

C8315A High Gloss Photo Paper - 61cm (24in) x 30.5m (100ft) (USA and Asia/Pacific)
C8316A High Gloss Photo Paper - 91.4cm (36in) x 30.5m (100ft) (USA and Asia/Pacific)
C6025A High gloss photo paper - 61cm (24in) x 30.5m (100ft) roll (USA, Canada, and Latin America)
C6033A High gloss photo paper - 61cm (24in) x 30.5m (100ft) roll (Europe, Asia/Pacific, and Japan)
C6026A High gloss photo paper - 91.4cm (36in) x 30.5m (100ft) roll (USA, Canada, and Latin America)
C6034A High gloss photo paper - 91.4cm (36in) x 30.5m (100ft) roll (Europe, Asia/Pacific, and Japan)
C6565A High gloss photo paper - 106.7cm (42in) x 30.5m (100ft) roll (USA, Canada, and Latin America)
C6573A High gloss photo paper - 106.7cm (42in) x 30.5m (100ft) roll (Europe, Asia/Pacific, and Japan)
C6566A High gloss photo paper - 137.2cm (54in) x 30.5m (100ft) roll (USA, Canada, and Latin America)
C6574A High gloss photo paper - 137.2cm (54in) x 30.5m (100ft) roll (Europe, Asia/Pacific, and Japan)

Paper (Matte)

C7947A Photo Paper RC Matte - 137.2cm (54in) x 30.5m (100ft) (USA)

Paper (Photo)

C7946A Photo Paper RC Matte - 91.4cm (36in) x 30.5m (100ft) (USA)
C8310A Basic Photo Satin paper - 61cm (24in) x 30.5m (100ft) (USA and Asia/Pacific)
C8311A Basic Photo Satin paper - 91.4cm (36in) x 30.5m (100ft) (USA and Asia/Pacific)
C8312A Basic Photo Satin paper - 106.7cm (42in) x 30.5m (100ft) (USA)
C8313A Basic Photo Satin paper - 137.2cm (54in) x 30.5m (100ft) (USA)
C8317A High Gloss Photo Paper - 106.7cm (42in) x 30.5m (100ft) (USA and Asia/Pacific)
C8318A High Gloss Photo Paper - 137.2cm (54in) x 30.5m (100ft) (USA and Asia/Pacific)

Paper (Poster)

C7949A Outdoor Billboard Paper - Blue back - 91.4cm (36in) x 30.5m (100ft) (USA)

Paper (Satin)

C7952A Proofing Paper RC Satin - 91.4cm (36in) x 30.5m (100ft) (USA)
C7953A Proofing Paper RC Satin paper - 137.2cm (54in) x 22.9m (75ft) (USA)

Paper (Semi-Glossy)

C6023A Semi-gloss photo paper - 61cm (24in) x 30.5m (100ft) roll (USA, Canada, and Latin America)
C6031A Semi-gloss photo paper - 61cm (24in) x 30.5m (100ft) roll (Europe, Asia/Pacific, and Japan)
C6782A Paper based semi-gloss media - 61cm (24in) x 30.5m (100ft) roll
NO LONGER SUPPLIED
C6024A Semi-gloss photo paper - 91.4cm (36in) x 30.5m (100ft) roll (USA, Canada, and Latin America)
C6032A Semi-gloss photo paper - 91.4cm (36in) x 30.5m (100ft) roll (Europe, Asia/Pacific, and Japan)
C6783A Paper based semi-gloss media - 91.4cm (36in) x 30.5m (100ft) roll
NO LONGER SUPPLIED
C6563A Semi-gloss photo paper - 106.7cm (42in) x 30.5m (100ft) roll (USA, Canada, and Latin America)
C6571A Semi-gloss photo paper - 106.7cm (42in) x 30.5m (100ft) roll (Europe, Asia/Pacific, and Japan)
C6564A Semi-gloss photo paper - 137.2cm (54in) x 30.5m (100ft) roll (USA, Canada, and Latin America)
C6572A Semi-gloss photo paper - 137.2cm (54in) x 30.5m (100ft) roll (Europe, Asia/Pacific, and Japan)
C6785A Paper based semi-gloss media - 137.2cm (54in) x 30.5m (100ft) roll
NO LONGER SUPPLIED



Paper and Other Media

Vinyl (Adhesive)

- C6775A Colorfast adhesive vinyl (328 gsm) - 91.4cm (36in) x 12.2m (40ft) roll - For regular ink or UV-resistant ink
- C6777A Colorfast adhesive vinyl (328 gsm) - 137.2cm (54in) x 12.2m (40ft) roll - For regular ink or UV-resistant ink

Roll Feed Parts

Brake/Housing

- 298 C4704-60199 Brake/housing assembly (on right side) - Accepts the flange end of the spindle rod assembly - Includes the 2 housing pieces, 2 brake shoes, brake gear, brake lever, and springs

Cover

- 299 C4723-60245 Rollfeed access cover - Opens forward to allow access to paper spindle assembly

End Cap

- 300 C2858-40043 Spindle end cap (small) (or core spacer) - Removes for loading the media roll

Housing

- 301 C4704-60082 Housing assembly (on left side)

Spacer

- C4723-60147 Spacer/media guide for the supply spindle

Spindle

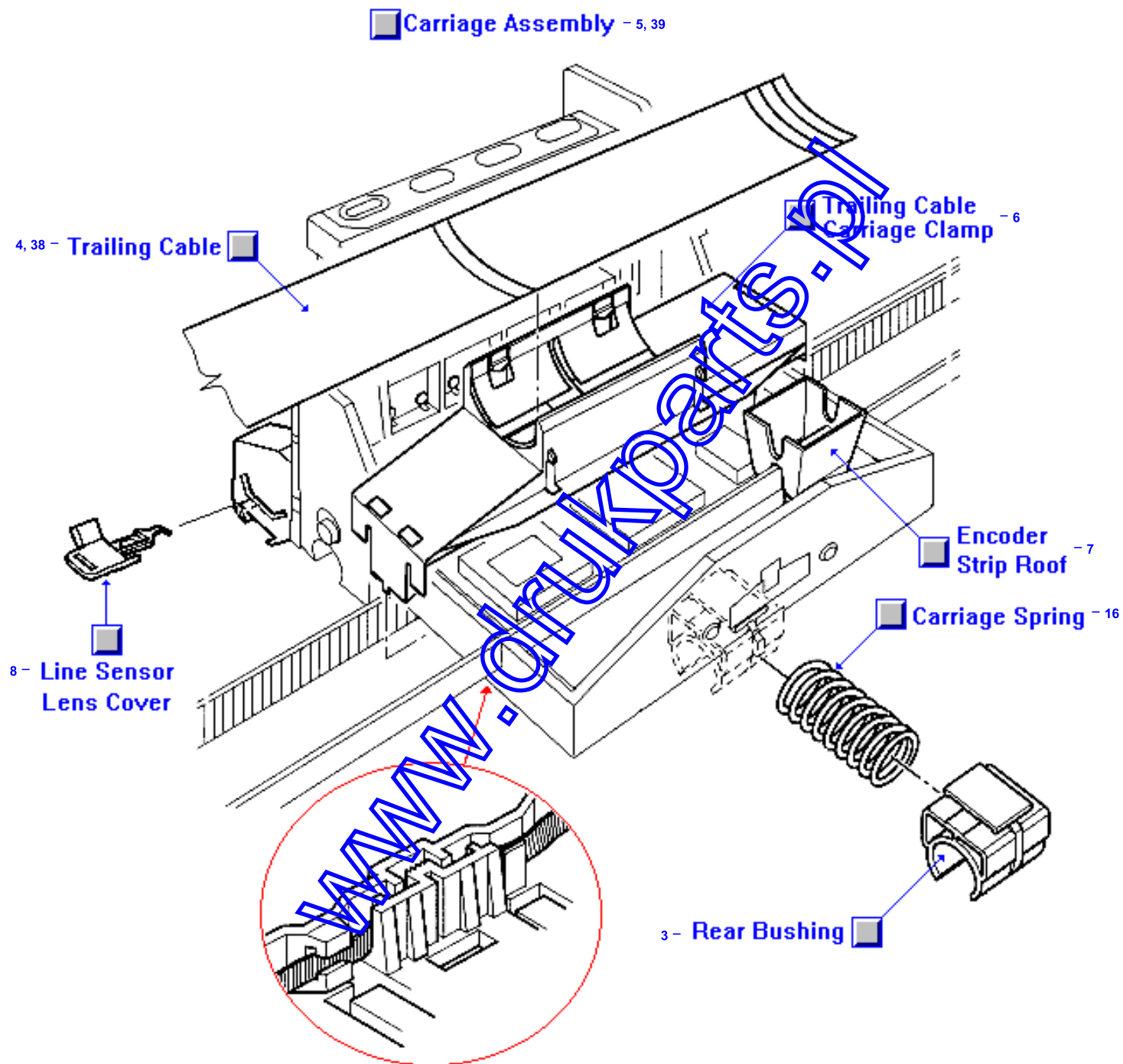
- 303 C4723-60241 Rollfeed spindle rod assembly - Includes flange and core spindle spacer
- C6248A Rollfeed spindle rod assembly for DesignJet 3000/3500CP - Includes flange and core spindle spacer

Spring

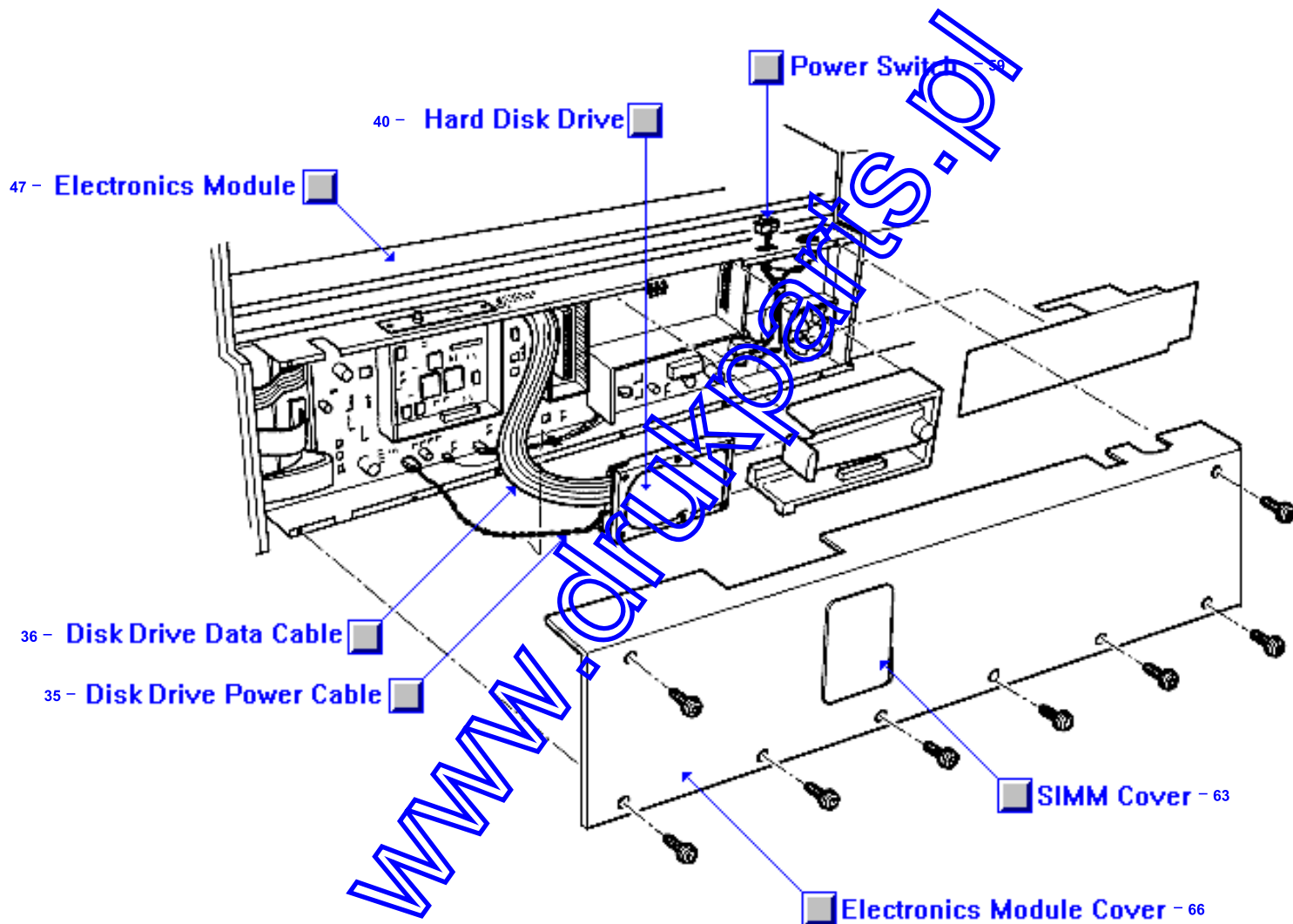
- 305 C4723-80021 Extension spring - Holds the rollfeed access cover closed

www.drukparts.nl

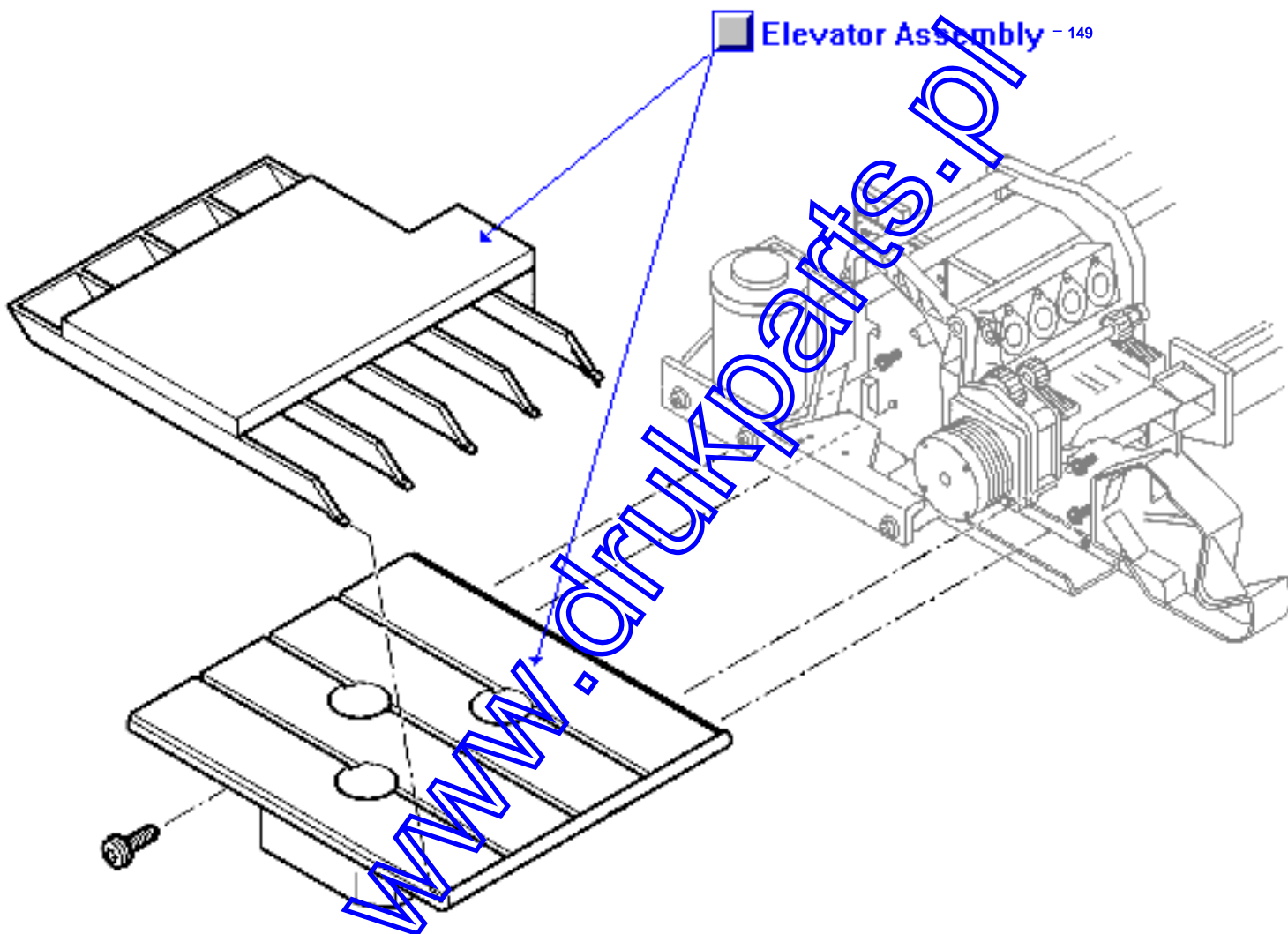
Carriage Assembly



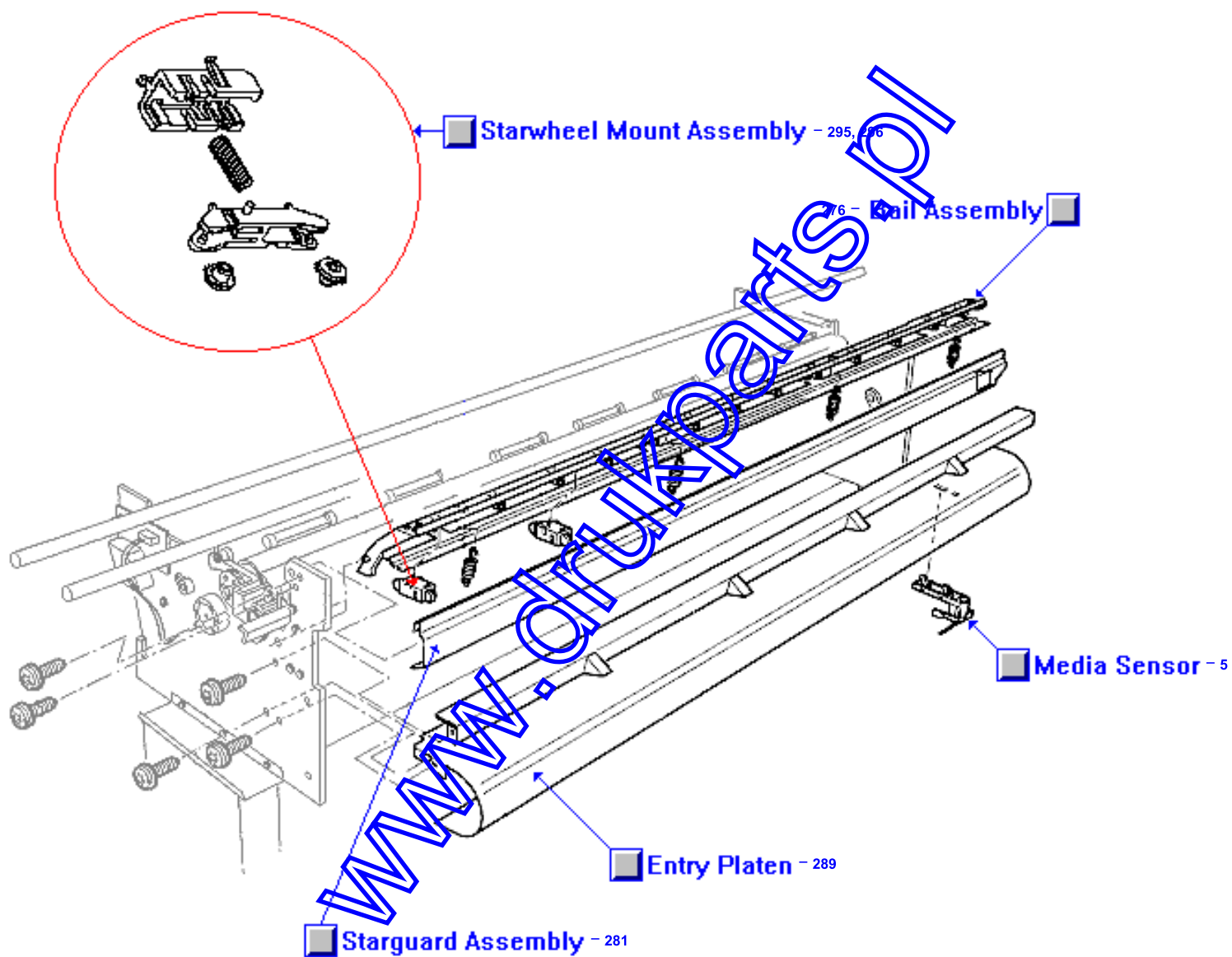
Electronics Module



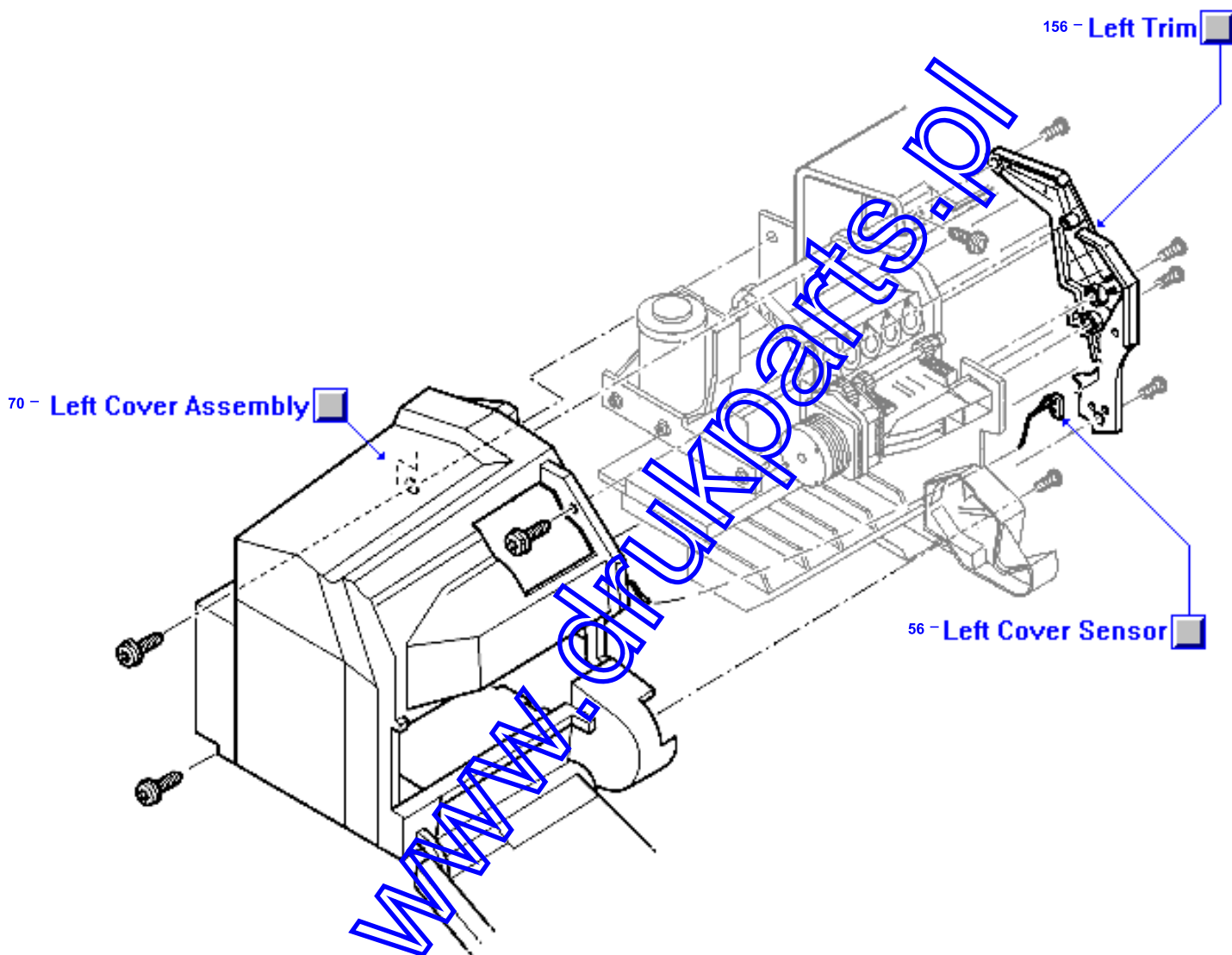
Elevator Assembly



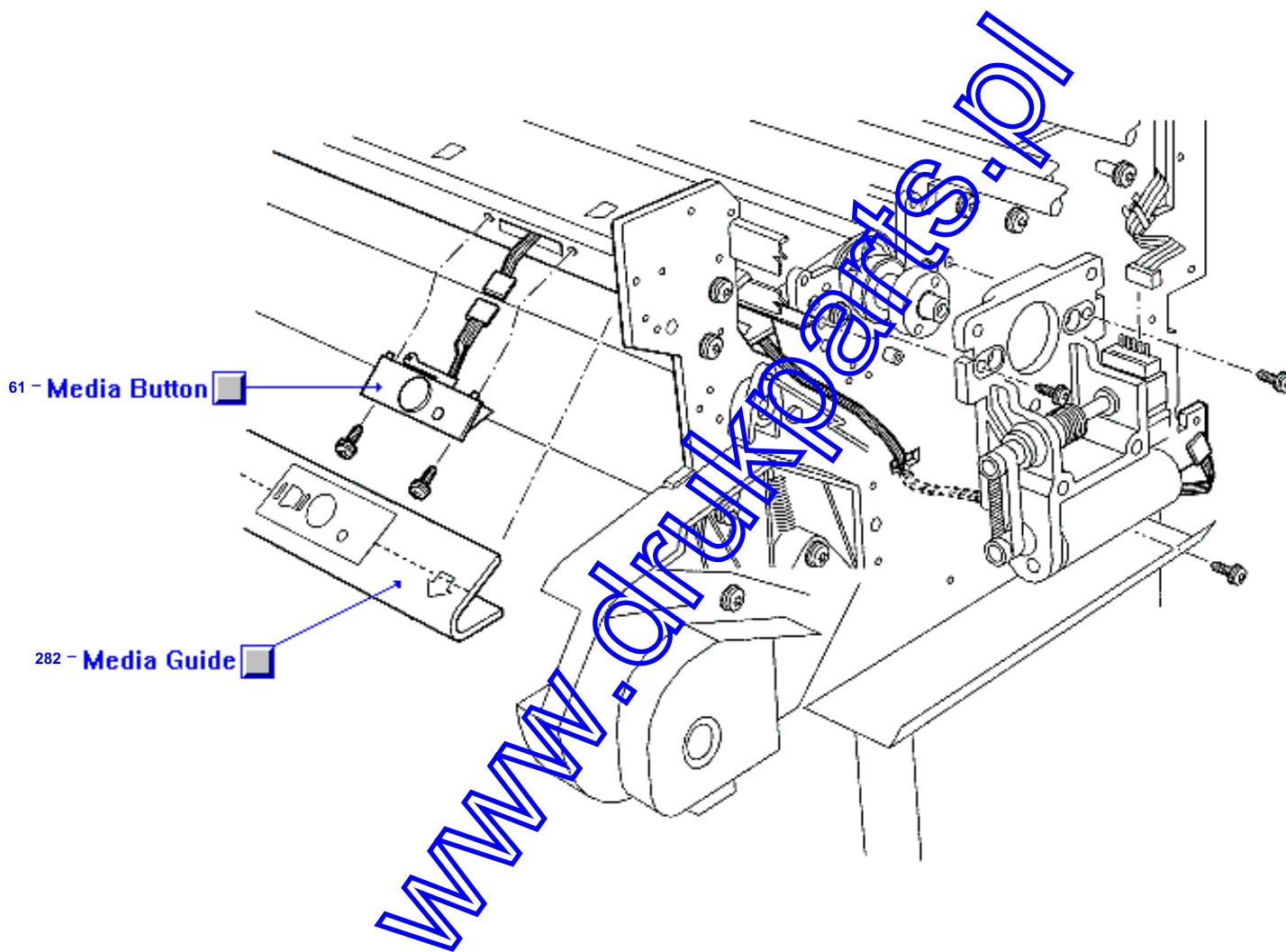
Entry Platen Area



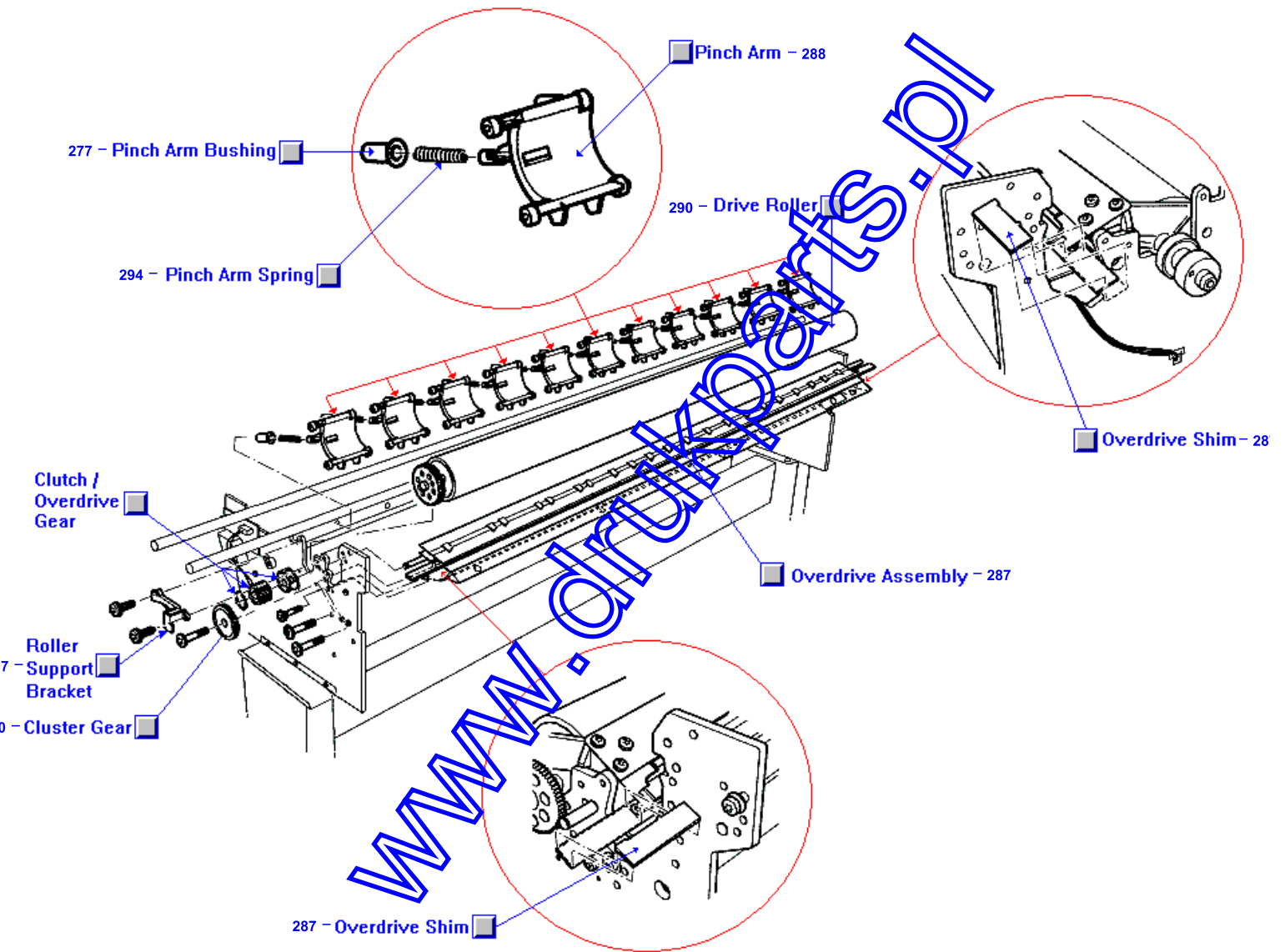
Left Hand Cover Area



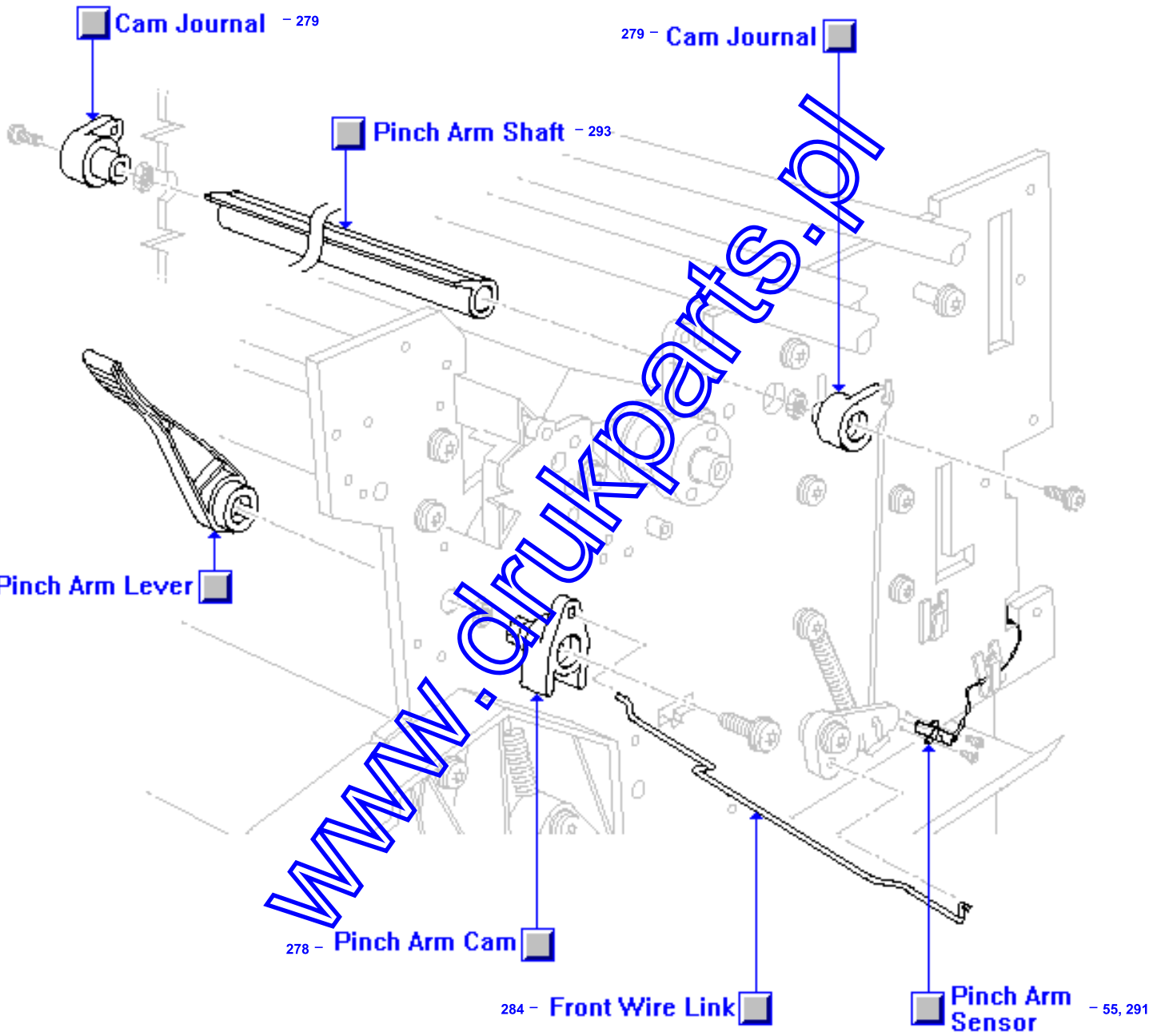
Media Button and Media Guide



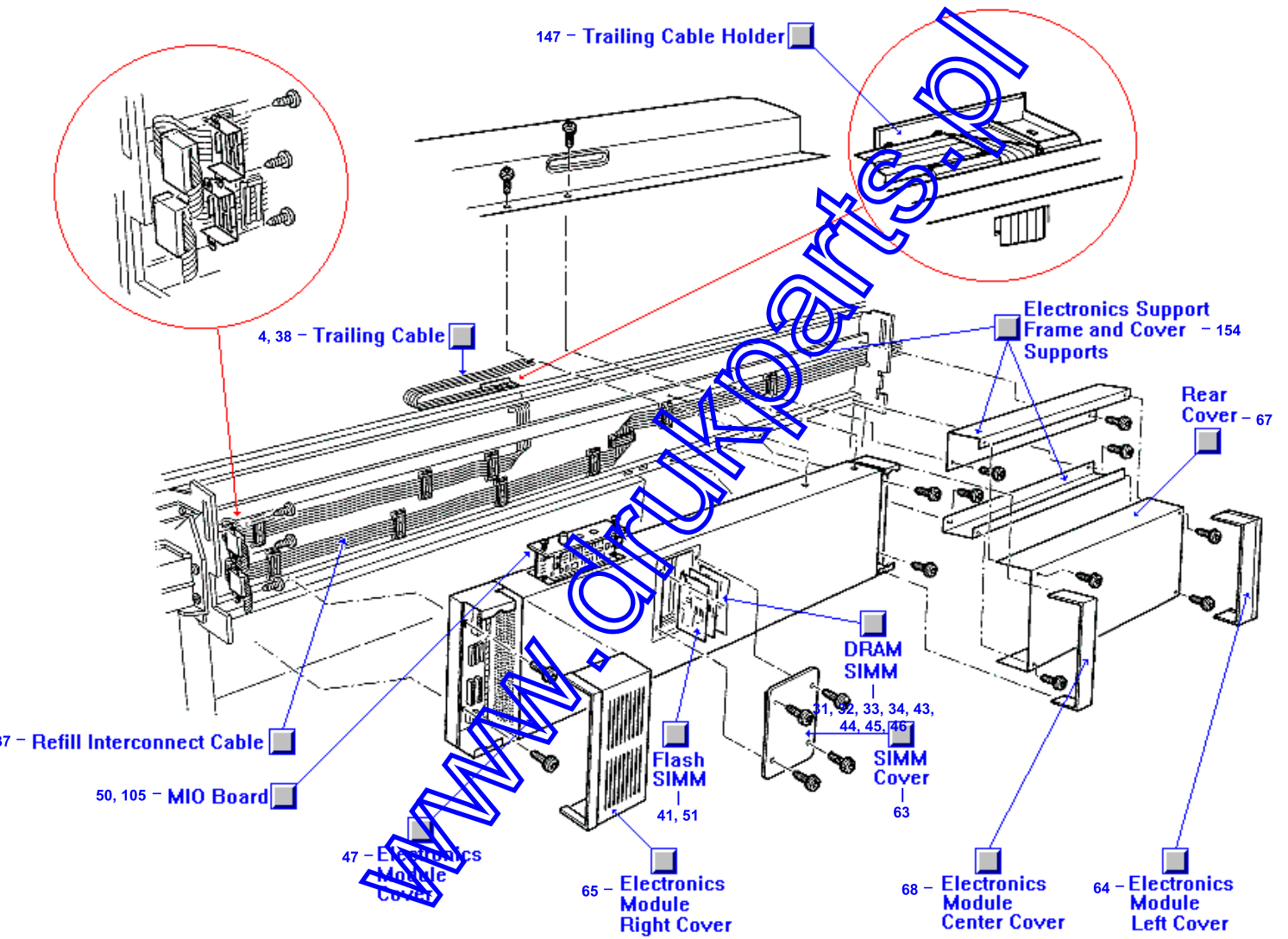
Paper Drive Roller Area



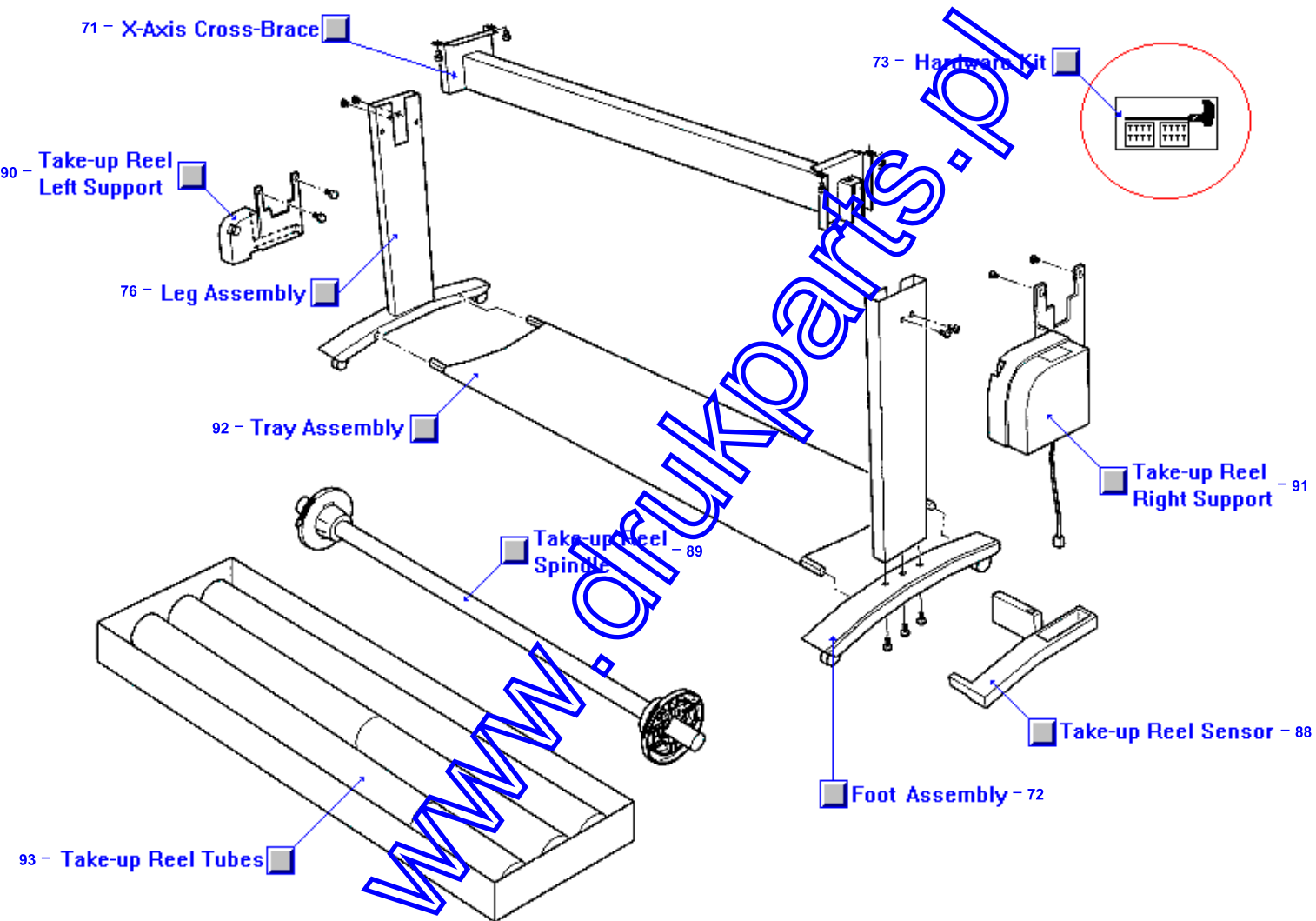
Pinch Arm Assembly



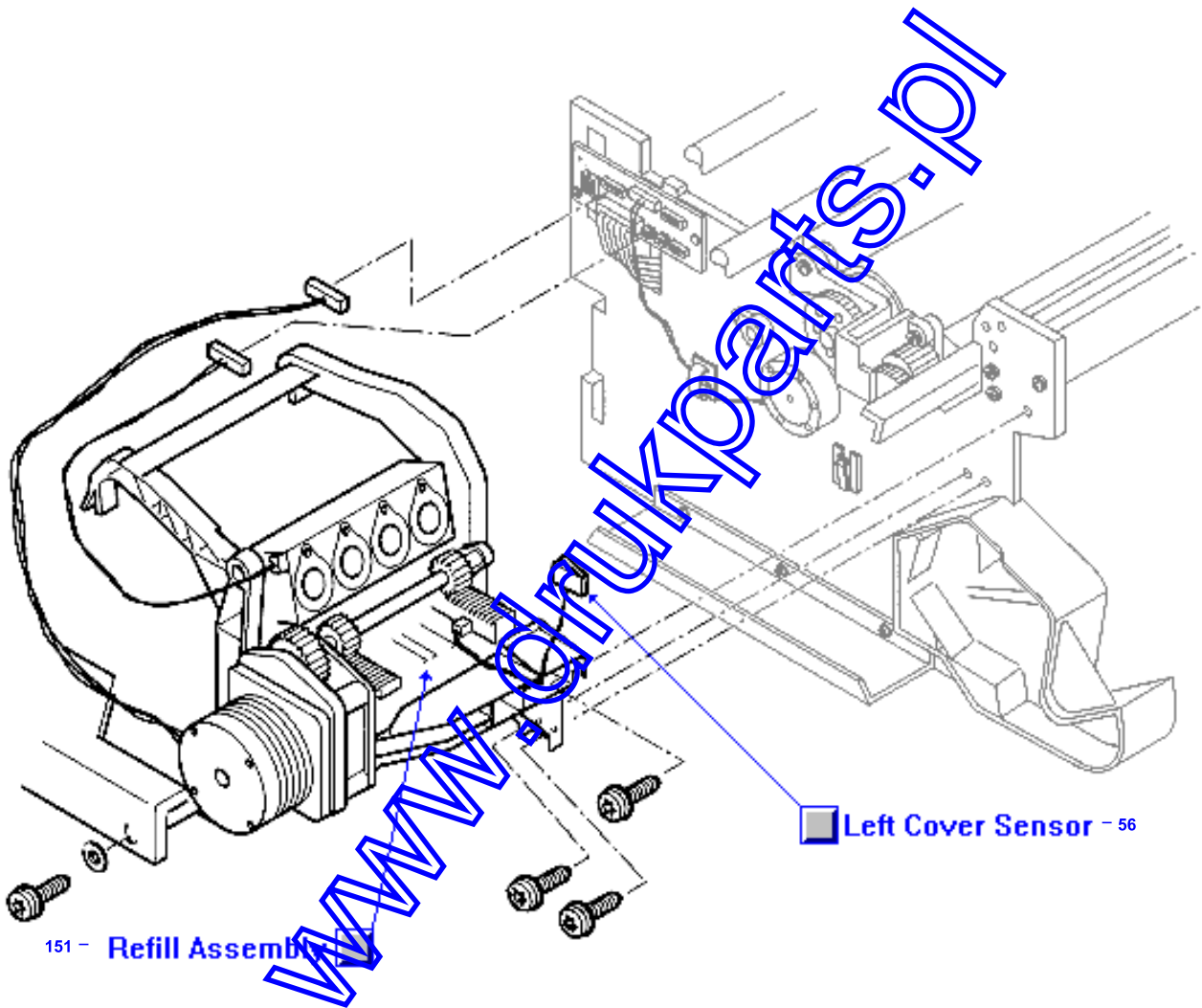
Printer Rear



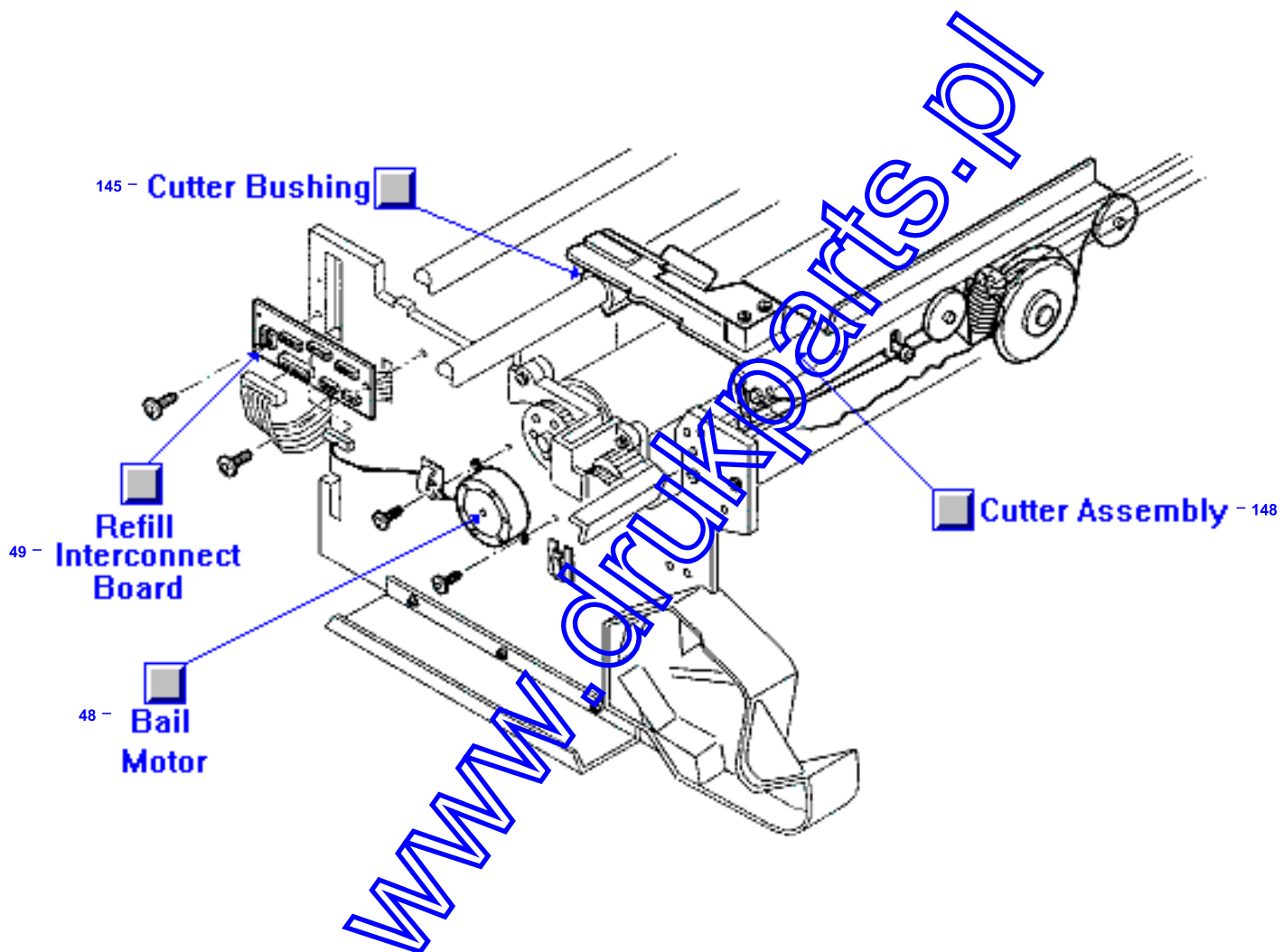
Printer Support



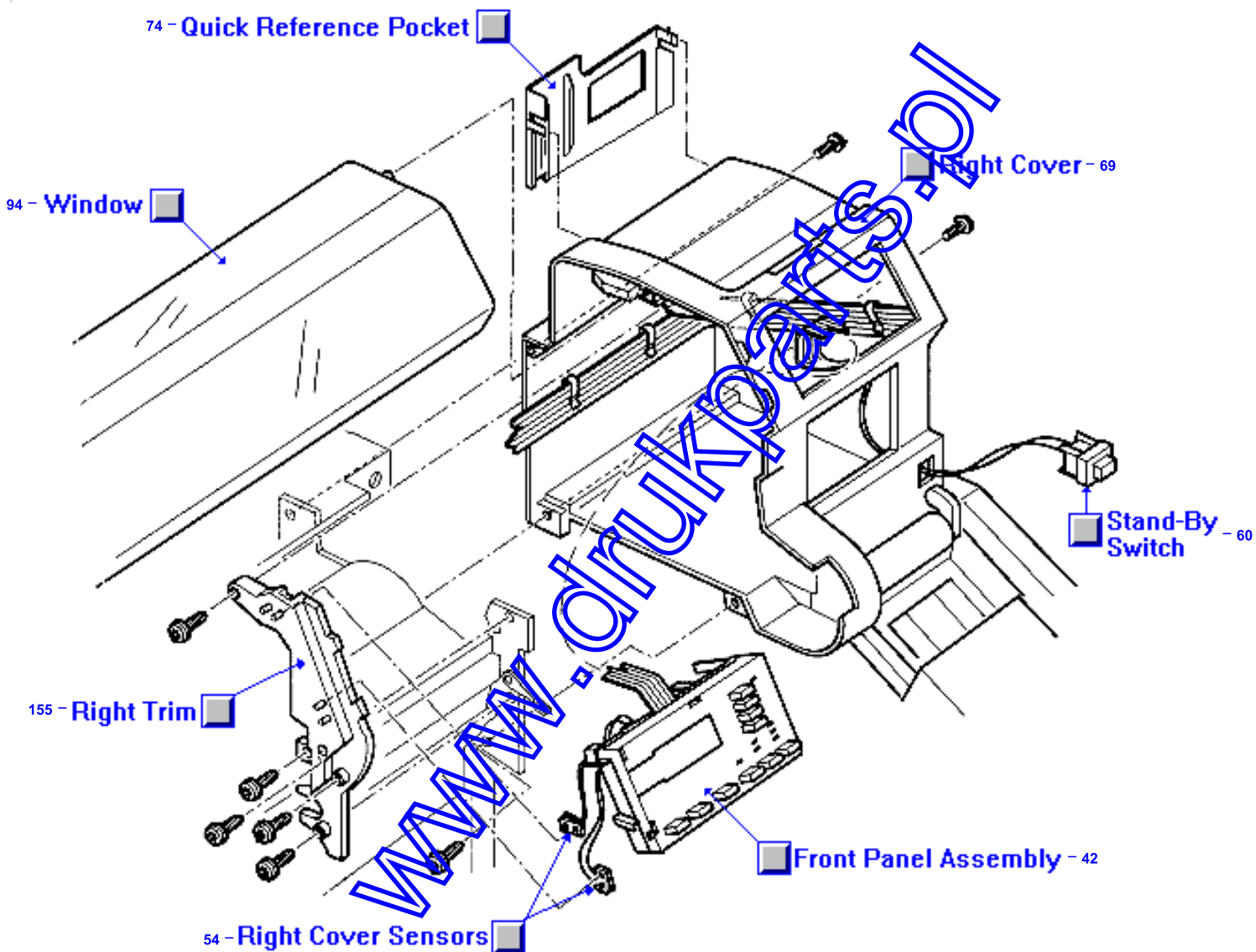
Refill Assembly



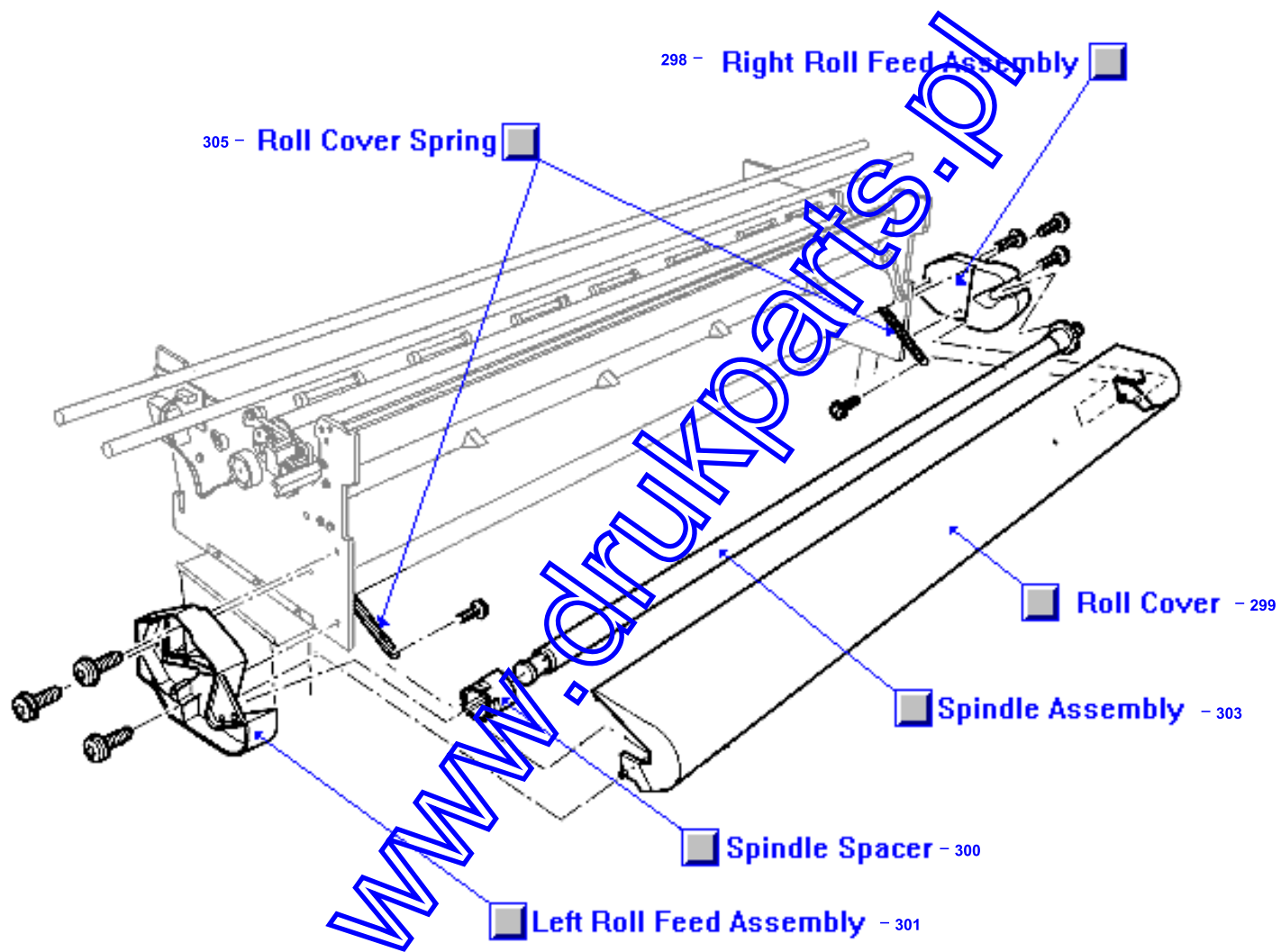
Refill Interconnect Board, Bail Motor and Cutter Assembly



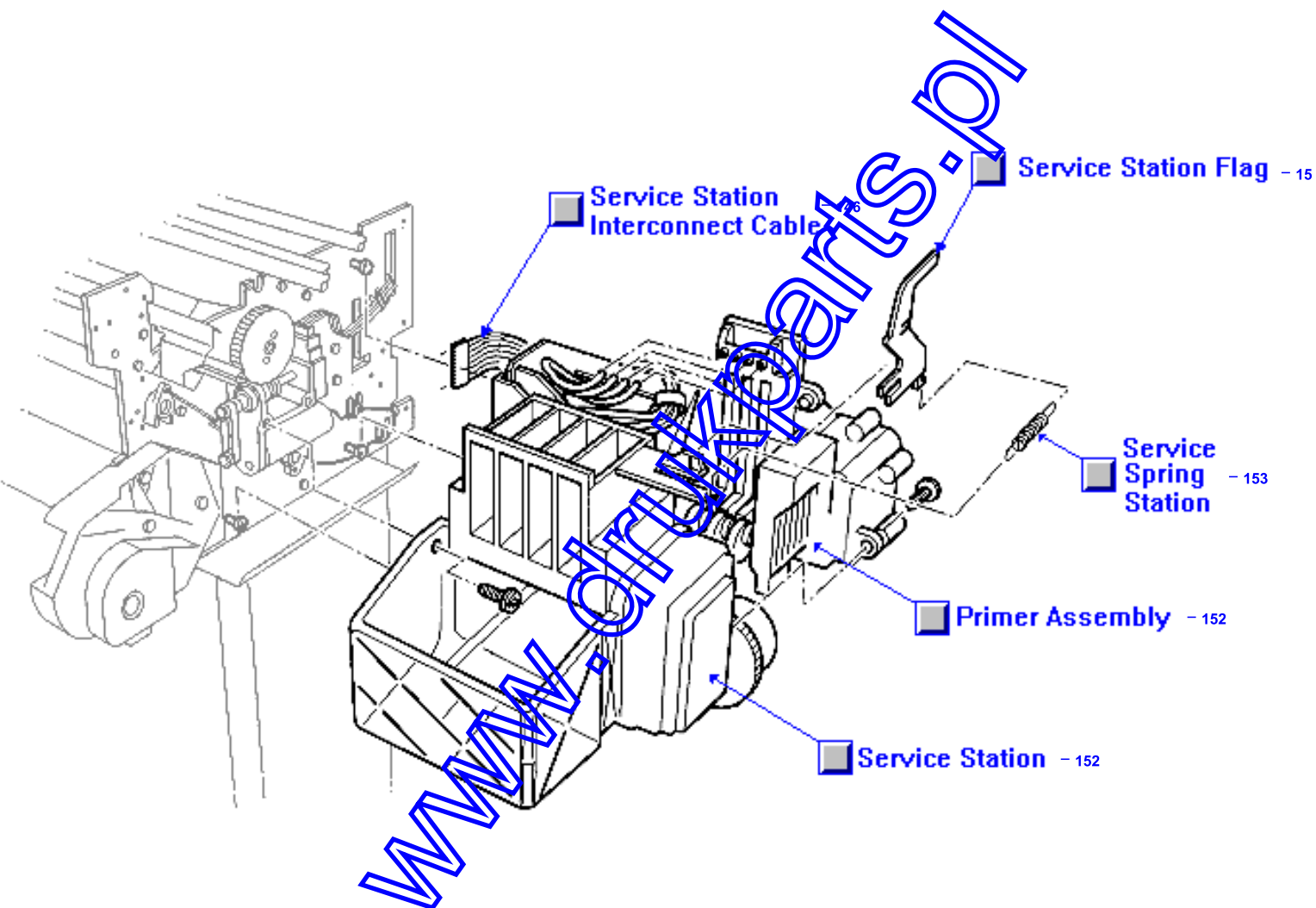
Right Hand Cover Area



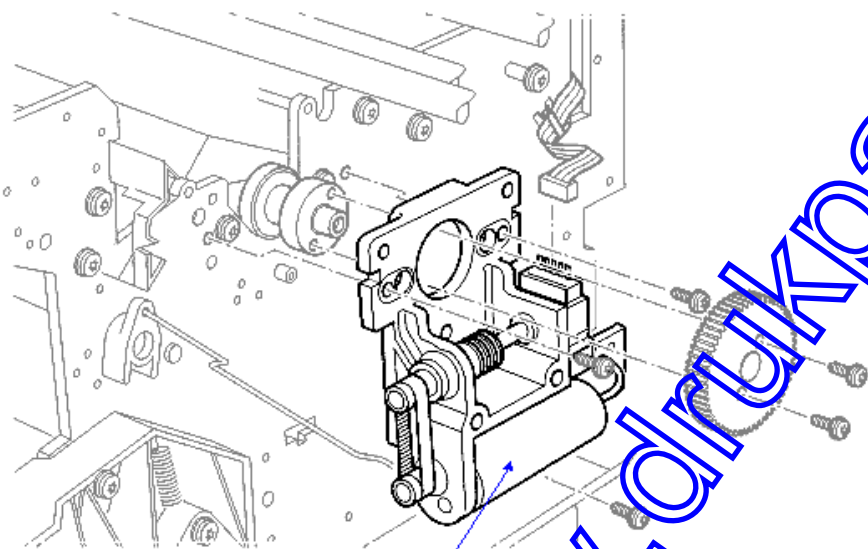
Roll Cover Area



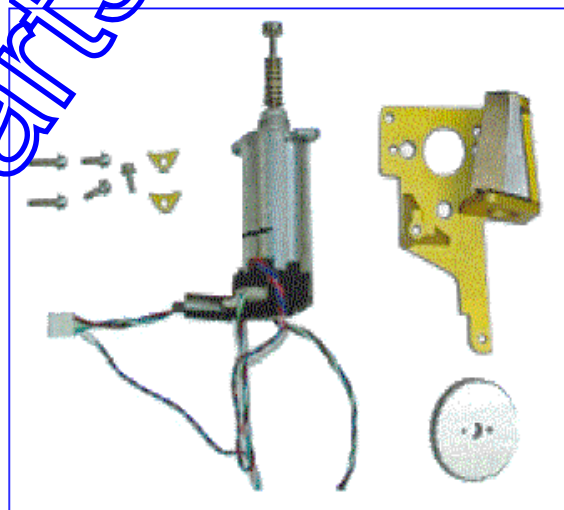
Service Station Assembly



X-Axis Motor Assembly



285, 286 - X-Axis Motor Assembly
[Old Style]



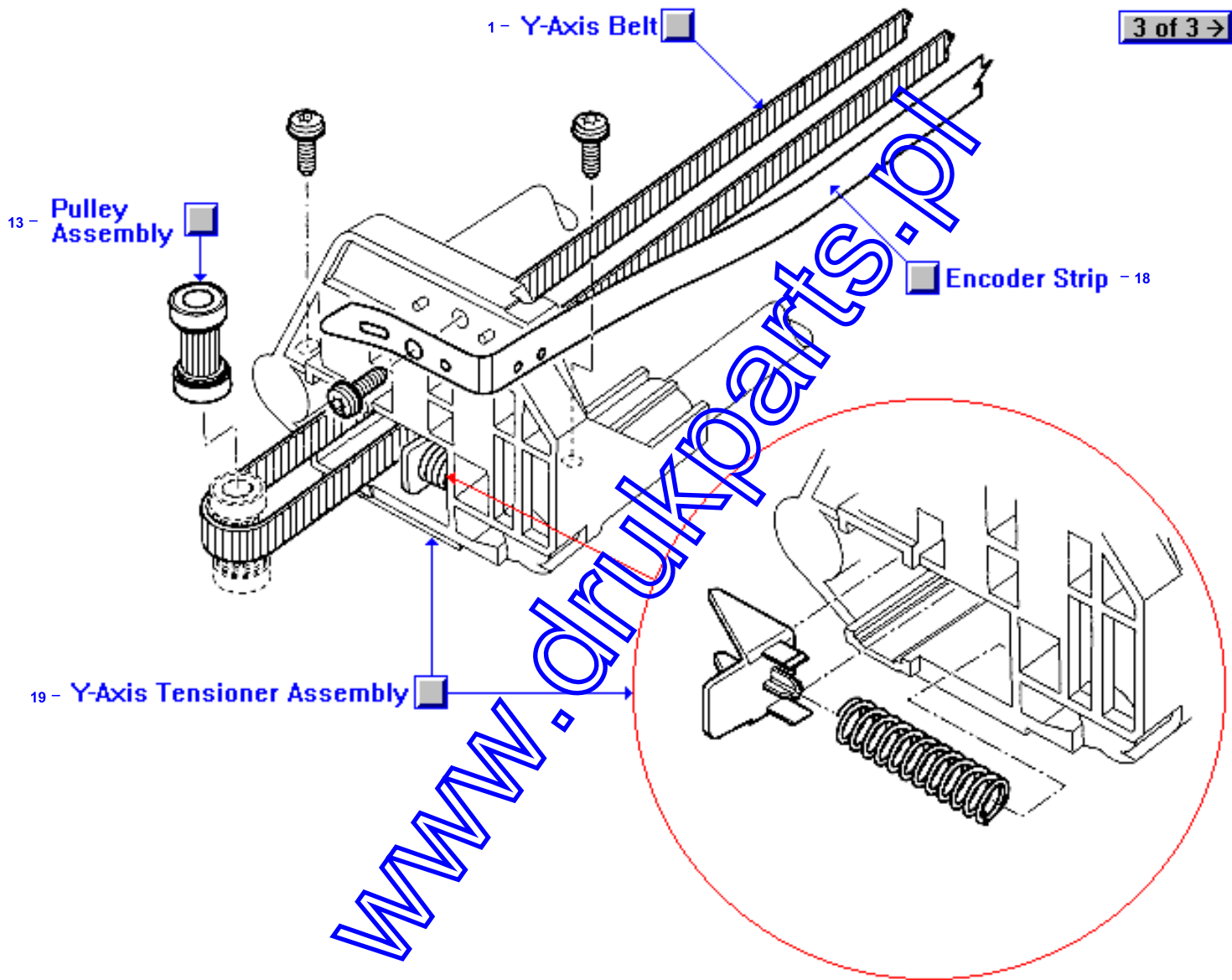
285, 286 - X-Axis Motor Replacement Kit
[New Style]

www.drukparts.pl

Y-Axis Assembly (1 of 3) Belt, Tensioner, Pulley and Encoder

2 of 3 →

3 of 3 →

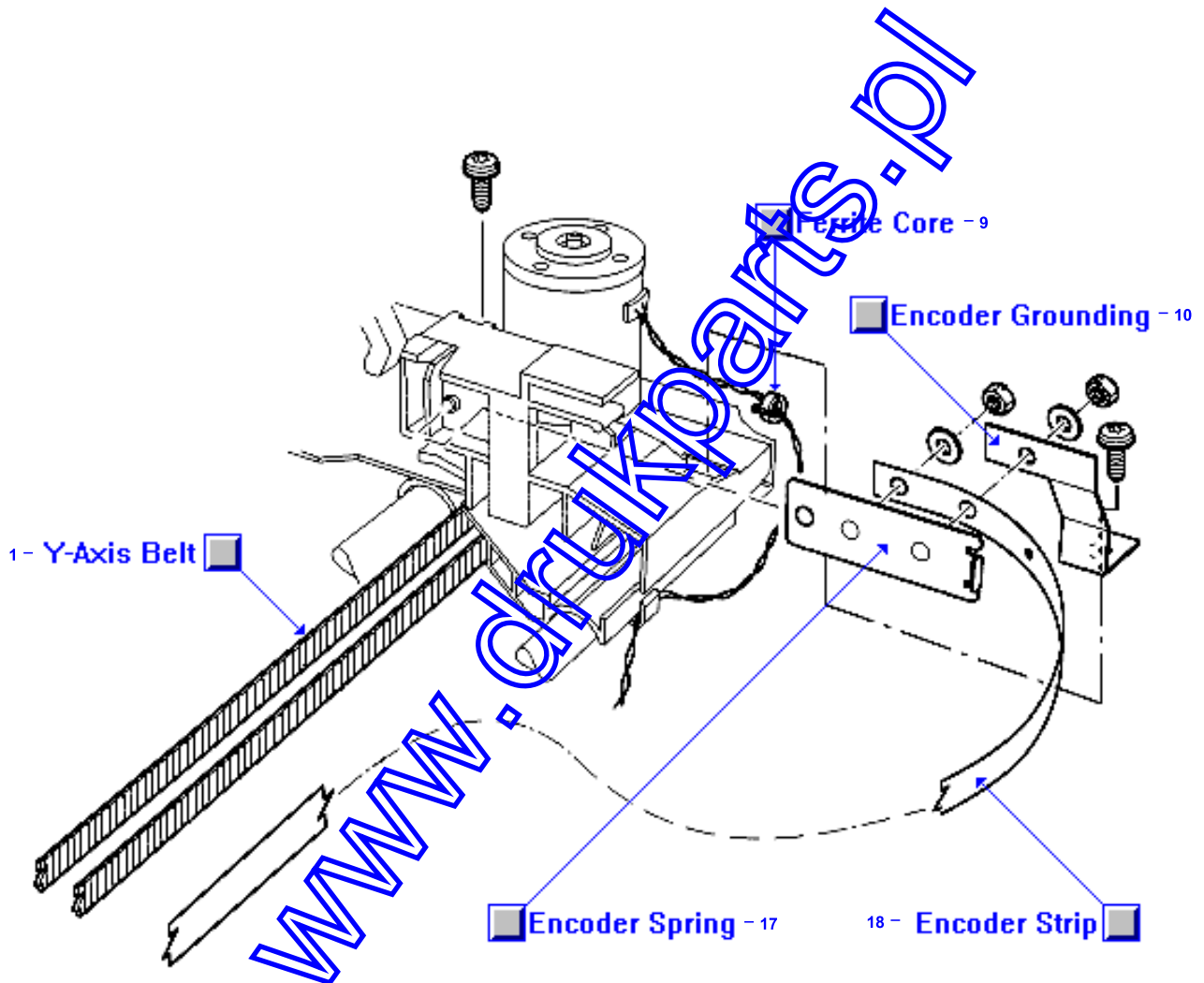


REAR VIEW

Y-Axis Assembly (2 of 3) Belt, Encoder Strip, Hardware

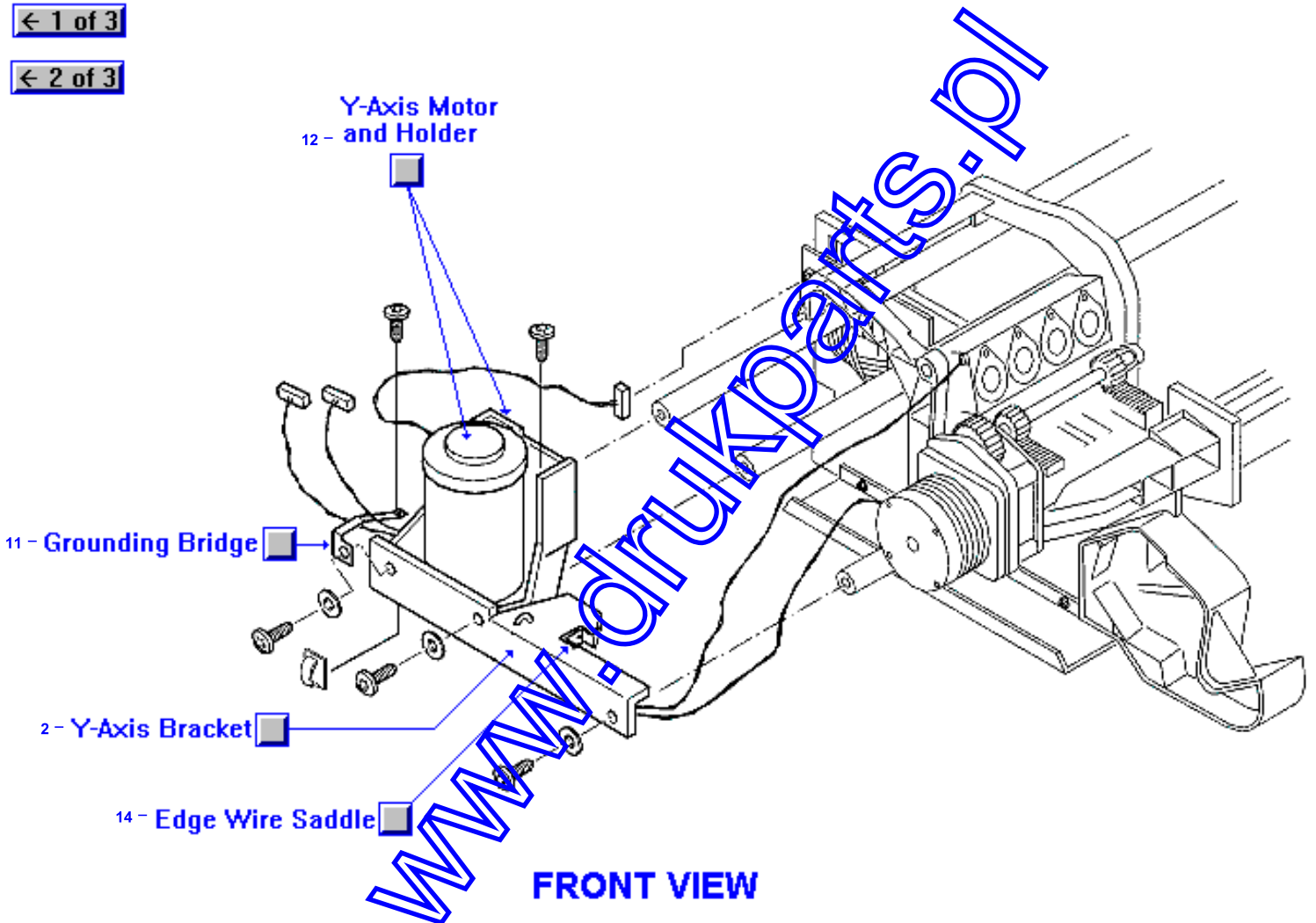
← 1 of 3

3 of 3 →



REAR VIEW

Y-Axis Assembly (3 of 3) Motor and Hardware





HP Parts Reference Guide

<http://www.hp.com/go/parts>

HP PartSurfer

<http://partsurfer.hp.com>

HP Parts Ordering Information

<http://www.hp.com/go/hpparts>

HP Parts Questions/Comments

<http://partsurfer.hp.com/contactus.htm>

www.drukparts.pl