



Carriage Drive Parts

Belt

1 C4705-60082 Carriage belt (D-size) - Long/wide belt attached to the carriage

Cable

2 C4713-60181 Carriage assembly trailing cable (D-size) - Has 60 pin (F) connectors - 1.6m (5.2ft) long

Carriage

3 C4699-60082 Carriage assembly - Includes carriage PC board
NO LONGER SUPPLIED

Cover

4 C4713-40053 Carriage ink cartridge slot cover

Label

5 C4713-00042 Carriage label - Shows ink cartridge location

Motor

6 C3190-60145 Carriage motor assembly
NO LONGER SUPPLIED

Pulley

7 C3190-60132 Idler pulley - For main drive belt - On left end of plotter - Includes pulley, shaft and spacer

Spring

8 C3190-80010 Belt tensioner spring

Strip

9 C4713-60098 Encoder strip assembly (D-size) - Includes encoder strip and encoder strip spring

Electronic Accessories

Cable (Interface)

17302A RS-232C serial cable - 25 pin (M) to 8 pin (M) DIN - 1.5m (4.9ft) long
NO LONGER SUPPLIED

24542G RS-232C serial cable - 25 pin (M) to 9 pin (F) - 3.0m (9.8ft) long - Used to connect to HP Vectra and IBM PC/AT compatibles

31391A RS-232C serial extension cable - 25 pin (M) to 25 pin (F) - 5.0m (16.4ft) long

5063-1256 IEEE-1284 Bi-Tronics parallel cable - DB-25 (M) connector (type A) to 36 pin Centronics (M) connector (type B) - 2.0m (6.6ft) long

5063-1257 IEEE-1284 Bi-Tronics parallel cable - DB-25 (M) connector (type A) to 36 pin Centronics (M) connector (type B) - 3.0m (9.8ft) long

C2913A RS-232C serial cable - 25 pin (M) to 25 pin (F) - 1.2m (3.9ft) long
NO LONGER SUPPLIED

C2950A IEEE-1284 Bi-Tronics parallel cable - DB-25 (M) connector (type A) to 36 pin Centronics (M) connector (type B) - 2.0m (6.6ft) long

5063-1256 *New Part for C2950A*

C2951A IEEE-1284 Bi-Tronics parallel cable - DB-25 (M) connector (type A) to 36 pin Centronics (M) connector (type B) - 3.0m (9.8ft) long

C2990A IEEE-1284 Bi-Tronics parallel cable - DB-25 (M) (type A) to 36 pin (M) Centronics (type B) - 1.8m (6ft) long
NO LONGER SUPPLIED

C2991A IEEE-1284 Bi-Tronics parallel cable - DB-25 (M) (type A) to 36 pin (M) Centronics (type B) - 3.0m (10ft) long
NO LONGER SUPPLIED

Memory (Product)

20 C3131A 2MB, 70nS, 36-bit SIMM memory module - For HP LaserJet 4P, 4+, 4V, 5, 5N, 5M, 5P, 5Si
NO LONGER SUPPLIED

C3146-67901 *New Part for C3131A*

21 C3132A 4MB, 70nS, 36-bit SIMM memory module - For HP LaserJet 4P, 4+, 4V, 5, 5N, 5M, 5P, 5Si
NO LONGER SUPPLIED

C3146-67901 *New Part for C3132A*



Electronic Accessories

Memory (Product)

- 22 C3133A 8MB, 70nS, 36-bit SIMM memory module - For HP LaserJet 4P, 4+, 4V, 5, 5N, 5M, 5P, 5Si
NO LONGER SUPPLIED
C3146-67901 *New Part for C3133A*

Memory (SIMM)

- 23 C3131-67901 2MB, 32-bit SIMM memory module
NO LONGER SUPPLIED
C3146-67901 *New Part for C3131-67901*
- 24 C3132-67901 4MB, 70nS, 36-bit parity SIMM memory module
NO LONGER SUPPLIED
C3146-67901 *New Part for C3132-67901*
- 25 C3133-67901 8MB, 70nS, 36-bit parity SIMM memory module
NO LONGER SUPPLIED
C3146-67901 *New Part for C3133-67901*
- 26 C3146-67901 16MB SIMM memory module

Upgrade Kit

- C3178A DesignJet 330 color upgrade kit - Includes color ROM SIMM, color ink cartridges, manual, and AutoCAD/Windows driver software - Upgraded unit will have same capabilities as DesignJet 330C
NO LONGER SUPPLIED

Electronics/Power Supply

Control Panel

- 28 C3190-60144 Control panel assembly - Mounts in right side cover - Includes control panel, panel support, and cover sensor

Firmware

- 29 C4701-60074 Monochrome ROM SIMM (Rev A.01.06) - Plugs into main logic board slot

Module

- 30 C4699-69039 Electronics module - Contains power supply, main logic board, interface connectors, and fan
NO LONGER SUPPLIED

Power Cord

- 8120-0698 Power cord (Black) - 18 AWG, 2.3m (7.5ft) long - Has straight (F) receptacle (For 220V/240V in the USA and Canada)
- 8120-1351 Power cord (Mint Gray) - 17 AWG, 2.3m (7.5ft) long - Has straight (F) receptacle (For 240V in the UK, Hong Kong, Singapore, Malaysia, and Brunei)
- 8120-1369 Power cord (Mint Gray) - 17 AWG, 2.0m (6.6ft) long - Has straight (F) receptacle (For 240V in Australia, New Zealand, and China)
- 8120-1378 Power cord (Jade Gray) - 18 AWG, 2.3m (7.5ft) long - Has straight (F) receptacle (For 120V in USA, Canada, Latin America, Korea, Taiwan, Thailand, Spain, Brazil, and Vietnam)
- 8120-1689 Power cord (Mint Gray) - 17 AWG, 2.0m (6.6ft) long - Has straight (F) receptacle (For 220V in Europe, Bangladesh, Indonesia, Pakistan, Burma, Sri Lanka, and Vietnam)
- 8120-2104 Power cord (Mint Gray) - 2.0m (6.6ft) long - Has straight (F) receptacle (For 220V in Switzerland)
- 8120-2956 Power cord (Mint Gray) - 2.0m (6.6ft) long - Has straight (F) receptacle (For 220V in Denmark)
- 8120-4211 Power cord (Mint Gray) - 17 AWG, 2.0m (6.6ft) long - Has straight (F) receptacle (For 240V in South Africa and India)

External Case Parts

Cover

- 39 C3190-60082 Rear cover - Has cutouts to access SIMM slot, interface connectors, and AC receptacle
NO LONGER SUPPLIED
- 40 C4699-00015 Optional SIMM slot cover
- 41 C4699-40003 Cover - Lift up top cover
NO LONGER SUPPLIED
- 42 C4699-40004 Left end cover
NO LONGER SUPPLIED



External Case Parts

Cover

- 43 C4699-40005 Right end cover
- 44 C4713-40038 Carriage top cover

Cross-Brace

- 45 C3192-60001 Cross-brace - Main structure that extends between stand legs

Foot

- 46 C4696-60006 Foot assembly (includes casters)

Hardware Kit

- C4704-60095 Hardware kit for printer stand - Includes screwdriver, screws, washers, and media bin retaining clips

Hinge

- 48 C3190-40041 Top cover hinge
NO LONGER SUPPLIED

Holder

- 49 C3190-40052 Holder - For quick reference guide

Keycap

- 50 C3190-40045 Keycap - For the power switch

Label

- 51 C4705-00017 Instruction label

Leg

- 52 C4696-60007 Leg assembly - Side support for the plotter - Does NOT include the foot assembly

Nameplate/Logo

- 53 C4701-00008 Nameplate - DesignJet 330
NO LONGER SUPPLIED

Overlay

- 54 C4701-60011 Front panel overlay - Shows the function of the front panel buttons and indicator lights (English)
- 55 C4701-60012 Front panel overlay - Shows the function of the front panel buttons and indicator lights (Korean)
NO LONGER SUPPLIED
- 56 C4701-60013 Front panel overlay - Shows the function of the front panel buttons and indicator lights (Taiwanese)
NO LONGER SUPPLIED
- 57 C4701-60014 Front panel overlay - Shows the function of the front panel buttons and indicator lights (German)
NO LONGER SUPPLIED
- 58 C4701-60015 Front panel overlay - Shows the function of the front panel buttons and indicator lights (French)
NO LONGER SUPPLIED
- 59 C4701-60016 Front panel overlay - Shows the function of the front panel buttons and indicator lights (Spanish)
NO LONGER SUPPLIED
- 60 C4701-60017 Front panel overlay - Shows the function of the front panel buttons and indicator lights (Italian)
NO LONGER SUPPLIED
- 61 C4701-60018 Front panel overlay - Shows the function of the front panel buttons and indicator lights (Japanese)
NO LONGER SUPPLIED
- 62 C4701-60019 Front panel overlay - Shows the function of the front panel buttons and indicator lights (Portuguese)
NO LONGER SUPPLIED
- 63 C4701-60020 Front panel overlay - Shows the function of the front panel buttons and indicator lights (Chinese)
NO LONGER SUPPLIED

Stand

- C3192A DesignJet 230/250C Optional Stand (D/A1) - Includes legs, casters and brace - Does NOT include the paper bin
NO LONGER SUPPLIED



Optional Interfaces

Interface (Module)

J4101-61011 External JetDirect 300X print server module (10Base-T and 100Base-T) - Connects between printer parallel port and LAN network - Does NOT include power module - (J4101A, J4101B)

Interface (Product)

J2590A External JetDirect LAN interface module with RJ-45 connector for EtherTwist (10Base-T) or 100VG/802.12 input and 3 parallel (DB-25) output connectors
NO LONGER SUPPLIED

J2591A External JetDirect LAN interface module and power module - Has EtherTwist (10Base-T) and ThinLAN (10Base-2) connectors
NO LONGER SUPPLIED

J3258B External JetDirect 170X LAN interface module - Interfaces a parallel printer to an ethernet 10Base-T (RJ-45) LAN

J3264A External JetDirect 500X token ring interface module - Interfaces up to 3 parallel printers to a token ring (DB-9 or RJ-45) LAN

J3265A External JetDirect 500X LAN interface module - Interfaces up to 3 parallel printers to an ethernet 10Base-T (RJ-45), 10Base2 (BNC), or 100Base-TX (RJ-45) LAN

Module

J2382-69003 External JetDirect LAN interface module with ethertwist (10Base-T) and ThinLAN (10BASE-2) connectors

J2383-61005 External token ring interface module - Has DB-9 connector

J2590-69001 External JetDirect LAN interface module with RJ-45 connector for ethertwist (10Base-T) or 100VG/802.12 input and 3 parallel (DB-25) output connectors
REQUIRES RETURN OF DEFECTIVE PART

J2590-61011 New Part for J2590-69001

J2591-69001 External JetDirect LAN interface module with ethertwist (10Base-T) and ThinLAN (10BASE-2) connectors

J2592-69001 External JetDirect LAN interface module with ethertwist (10Base-T) connector
REQUIRES RETURN OF DEFECTIVE PART

J2592-61001 New Part for J2592-69001

J2593-69001 External JetDirect LAN interface module with EtherTwist (10Base-T) and ThinLAN (10BASE-2) input connectors and 3 parallel (DB-25) output connectors - (part of J2593A)

J2594-69001 External JetDirect token ring interface module with DB-9 and RJ-45 input connectors and 3 parallel (DB-25) output connectors - (part of J2594A)
REQUIRES RETURN OF DEFECTIVE PART

J2594-61011 New Part for J2594-69001

J3258-61011 External JetDirect LAN interface module with EtherTwist (10Base-T) connector - (J3258A, J3258B)

J4102-69011 External JetDirect LAN interface module with EtherTwist (10Base-T) connector - (J4102A, J4102B)
REQUIRES RETURN OF DEFECTIVE PART

J4102-61011 New Part for J4102-69011

Module (Product)

J4101B External JetDirect LAN interface module with EtherTwist (10Base-T/Base-TX) connector

J4102B External JetDirect LAN interface module with EtherTwist (10Base-T) connector

Power Cord

8120-1351 Power cord (Mint Gray) - 17 AWG, 2.3m (7.5ft) long - Has straight (F) receptacle (For 240V in the UK, Hong Kong, Singapore, Malaysia, and Brunei)

8120-1369 Power cord (Mint Gray) - 17 AWG, 2.0m (6.6ft) long - Has straight (F) receptacle (For 240V in Australia, New Zealand, and China)

8120-1378 Power cord (Jade Gray) - 18 AWG, 2.3m (7.5ft) long - Has straight (F) receptacle (For 120V in USA, Canada, Latin America, Korea, Taiwan, Thailand, Spain, Brazil, and Vietnam)

8120-1689 Power cord (Mint Gray) - 17 AWG, 2.0m (6.6ft) long - Has straight (F) receptacle (For 220V in Europe, Bangladesh, Indonesia, Pakistan, Burma, Sri Lanka, and Vietnam)

8120-2104 Power cord (Mint Gray) - 2.0m (6.6ft) long - Has straight (F) receptacle (For 220V in Switzerland)

8120-2956 Power cord (Mint Gray) - 2.0m (6.6ft) long - Has straight (F) receptacle (For 220V in Denmark)



Optional Interfaces

Power Cord

- 8120-4753 Power cord (Flint Gray) - 18 AWG, 2.3m (7.5ft) long - Has straight (F) receptacle (For 100V in Japan)
- 8120-6302 'Daisy chain' power cord (Dove Gray) - 18 AWG, 1.2m (4.0ft) long - Has C14 (M) plug for power input and C13 (F) plug for power output

Power Module

- 0950-2372 Power supply module - 100-240VAC input, 47-63Hz, requires separate AC power cord - 5VDC output, 1A, 5 watts - For J2382/83A/B
- 0950-3169 Wall mount power supply module - 110-127V AC 57-63Hz input - 13V DC output at 300mA (USA, Canada) - For use with the J2592A external JetDirect LAN interface module
- 0950-3170 Power supply module - 209-253VAC input, 47-53Hz - 13VDC output, 300mA (Europe, Israel) - For use with the J2592A external JetDirect LAN interface module
- 0950-3171 Power supply module - 220-240VAC input, 47-53Hz - 13VDC output, 300mA (U.K., Hong Kong) - For use with the J2592A external JetDirect LAN interface module
- 0950-3172 Power supply module - 240VAC input, 47-53Hz - 13VDC output, 300mA (Australia) - For use with the J2592A external JetDirect LAN interface module
- 0950-3348 Wall mount power supply module (MEI-AH ED12006) - 110-127V AC input, 57-63Hz - 13VDC output, 800mA, 10.4 watts (for use in the United States and Canada) - For models J2590/91/93/94A, J2964A, J3258A/B, J3263/64/65A, J3282B, J4101A/B, J4102A/B
- 0950-3349 Wall mount power supply module (MEI-AH ED12007) - 230VAC input, 47-53Hz - 13VDC output, 800mA, 10.4 watts (for use in Europe and Israel) - For JetDirect/infrared interface models J2590/91/93/94A, J2964A, J3258A/B, J3263/64/65A, J3282B, J4101A/B, J4102A/B
- 0950-3350 Wall mount power supply module (MEI-AH ED12008) - 220-240VAC input, 47-53Hz - 13VDC output, 800mA, 10.4 watts (for use in the United Kingdom) - For JetDirect/infrared interfaces J2590/91/93/94A, J2964A, J3258A/B, J3263/64/65A, J3282B, J4101A/B, J4102A/B
- 0950-3351 Wall mount power supply module (MEI-AH ED12009) - 220VAC input, 47-63Hz - 13VDC output, 800mA, 10.4 watts (for use in South Korea) - For JetDirect/infrared interface models J2590/91/93/94A, J2964A, J3258A/B, J3263/64/65A, J3282B, J4101A/B, J4102A/B
- 0950-3352 Wall mount power supply module (MEI-AH ED12010) - 100VAC input, 47-63Hz - 13VDC output, 800mA, 10.4 watts (for use in Japan) - For JetDirect/infrared interface models J2590/91/93/94A, J2964A, J3258A/B, J3263/64/65A, J3282B, J4101A/B, J4102A/B
- 0950-3354 Wall mount power supply module (MEI-AH ED12010) - 220-250VAC input, 47-53Hz - 13VDC output, 800mA, 10.4 watts (for use in South Africa) - For JetDirect/infrared interface models J2590/91/93/94A, J2964A, J3258A/B, J3263/64/65A, J3282B, J4101A/B, J4102A/B
- 9100-5176 Wall mount power supply module (Leader Electronics 48130625HK) - 200VAC input, 48-52Hz - 13VDC output, 625mA (Hong Kong) - For JetDirect Modules and Infrared Interface Models J2590/91/93/94A, J2964A, J3258A/B, J3263/64/65A, J3282B, J4101A/B, J4102A/B
- 0950-3350 *New Part for 9100-5176*

Other Accessories

CD-ROM (Support)

- C7769-90066 DesignJet support CD-ROM - Version A.04.01 - Has product information, user's manuals, service manuals, diagnostic software, test drawings, newsletters, and service notes

Cartridge

- 51640A Black print cartridge (w/ level indicator) - Prints approx.1120 pages based on 5% density on a 8 inch by 10 inch print area (for USA)
- 51640AA Black print cartridge (with level indicator) - Prints approx.1120 pages based on 5% density on a 8 inch by 10 inch print area (for Asia/Pacific)
- 51640AE Black print cartridge (with level indicator) - Prints approx.1120 pages based on 5% density on a 8 inch by 10 inch print area (for Europe)
- 51640AL Black print cartridge (with level indicator) - Prints approx.1120 pages based on 5% density on a 8 inch by 10 inch print area (for Latin America)



Other Accessories

Lubricant

- 6040-0858 Special lubricating oil - For carriage slider rod surface - 4oz (113g) plastic bottle of synthetic oil
- C3190-60155 Grease - For helical gear (Drive roller gear)

Manual

- 5959-9733 HP-GL/2 & HP RTL reference guide - Programming information, handbook for developers
- C3190-90157 C3190/91A DesignJet 250C, C4694/5A DesignJet 230, C4701/02A DesignJet 330 and C4699A/C4700A DesignJet 350C - Combined service manual update
- C4699-90000 C3190/91A DesignJet 250C, C4694/5A DesignJet 230, C4701/02A DesignJet 330 and C4699A/C4700A DesignJet 350C - Combined service manual (English)

Manual Kit

- C4699-90091 DesignJet 330/350C manual kit - Includes users guide and quick reference guide (English)
- C4699-90092 DesignJet 330/350C manual kit - Includes users guide and quick reference guide (Korean)
NO LONGER SUPPLIED
- C4699-90093 DesignJet 330/350C manual kit - Includes users guide and quick reference guide (Taiwanese)
NO LONGER SUPPLIED
- C4699-90094 DesignJet 330/350C manual kit - Includes users guide and quick reference guide (German)
NO LONGER SUPPLIED
- C4699-90095 DesignJet 330/350C manual kit - Includes users guide and quick reference guide (French)
NO LONGER SUPPLIED
- C4699-90096 DesignJet 330/350C manual kit - Includes users guide and quick reference guide (Spanish)
NO LONGER SUPPLIED
- C4699-90097 DesignJet 330/350C manual kit - Includes users guide and quick reference guide (Italian)
NO LONGER SUPPLIED
- C4699-90098 DesignJet 330/350C manual kit - Includes users guide and quick reference guide (Japanese)
NO LONGER SUPPLIED
- C4699-90099 DesignJet 330/350C manual kit - Includes users guide and quick reference guide (Portuguese)
NO LONGER SUPPLIED
- C4699-90100 DesignJet 330/350C manual kit - Includes users guide and quick reference guide (Chinese)
NO LONGER SUPPLIED

Packaging

- C4713-60123 Repacking kit - Materials to repack plotter
NO LONGER SUPPLIED

Return Kit

- 5183-5268 Return kit with box and instructions - For returning defective Thermal InkJet (TIJ) 2.5 InkJet cartridges covered under the CREW program - For USA
- 5184-2833 Return kit with box and instructions - For returning defective Thermal InkJet (TIJ) 2.5 InkJet cartridges covered under the CREW program - For use outside of the USA

Software

- C6072-60281 Toolbox and driver software - HP-GL/2 and RTL drivers for Windows 3.1/95/98/NT 4.0 (all DesignJets), and toolbox software for Windows 95/NT 4.0 (Only for DesignJet 430/450C/455CA/1050C/1055CM) - On 3.5-inch 1.44MB floppy disks (English)
- C6072-60284 Toolbox and driver software - HP-GL/2 and RTL drivers for Windows 3.1/95/98/NT 4.0 (all DesignJets), and toolbox software for Windows 95/NT 4.0 (Only for DesignJet 430/450C/455CA/1050C/1055CM) - On 3.5-inch 1.44MB floppy disks (German)
- C6072-60285 Toolbox and driver software - HP-GL/2 and RTL drivers for Windows 3.1/95/98/NT 4.0 (all DesignJets), and toolbox software for Windows 95/NT 4.0 (Only for DesignJet 430/450C/455CA/1050C/1055CM) - On 3.5-inch 1.44MB floppy disks (French)
- C6072-60286 Toolbox and driver software - HP-GL/2 and RTL drivers for Windows 3.1/95/98/NT 4.0 (all DesignJets), and toolbox software for Windows 95/NT 4.0 (Only for DesignJet 430/450C/455CA/1050C/1055CM) - On 3.5-inch 1.44MB floppy disks (Spanish)
- C6072-60287 Toolbox and driver software - HP-GL/2 and RTL drivers for Windows 3.1/95/98/NT 4.0 (all DesignJets), and toolbox software for Windows 95/NT 4.0 (Only for DesignJet 430/450C/455CA/1050C/1055CM) - On 3.5-inch 1.44MB floppy disks (Italian)



Other Accessories

Software

C6072-60301	HP-GL/2 driver software for AutoCAD - For DOS and Windows 3.1/95/NT 4.0 - On 3.5-inch 1.44MB floppy disks (English)
C6072-60304	HP-GL/2 driver software for AutoCAD - For DOS and Windows 3.1/95/NT 4.0 - On 3.5-inch 1.44MB floppy disks (German)
C6072-60305	HP-GL/2 driver software for AutoCAD - For DOS and Windows 3.1/95/NT 4.0 - On 3.5-inch 1.44MB floppy disks (French)
C6072-60306	HP-GL/2 driver software for AutoCAD - For DOS and Windows 3.1/95/NT 4.0 - On 3.5-inch 1.44MB floppy disks (Spanish)
C6072-60307	HP-GL/2 driver software for AutoCAD - For DOS and Windows 3.1/95/NT 4.0 - On 3.5-inch 1.44MB floppy disks (Italian)

Training Kit

C3190-60111	Self paced training kit for DesignJet 230/250/330/350 NO LONGER SUPPLIED
-------------	---

Training Test

C3190-90102	Additional self paced training test - Contains 1 test for DesignJet 250C/300/350C/30 NO LONGER SUPPLIED
-------------	--

Upgrade Kit

C3176A	Rollfeed upgrade kit (24-inch) - Includes rollfeed module and stand assembly - Does not include media diverter NO LONGER SUPPLIED
C3178A	DesignJet 330 color upgrade kit - Includes color ROM SIMM, color ink cartridges, manual, and AutoCAD/Windows driver software - Upgraded unit will have same capabilities as DesignJet 350C NO LONGER SUPPLIED

Other Internal Parts

Cable

139	C4713-60182	Bail link (Cable) - Flexible stranded wire cable - 42.5cm (1.9 inches) long
-----	-------------	---

Cover

140	C4701-40002	Primer assembly Cover NO LONGER SUPPLIED
-----	-------------	---

Primer

141	C4699-60003	Primer assembly - Mounted on left side of plotter
-----	-------------	---

Service Station

142	C3190-60142	Service station assembly
-----	-------------	--------------------------

Spittoon

143	C4699-60002	Spittoon assembly - Includes pincharm sensor switch and absorbers which hold excess ink from cartridges NO LONGER SUPPLIED
-----	-------------	---

Paper Drive Parts

Bail

150	C3190-60095	Bail assembly - Includes bail, starwheels, and brackets
-----	-------------	---

Bushing

151	C1633-40082	Pincharm spring retaining bushing
-----	-------------	-----------------------------------

Cable

152	C3180-60012	Ribbon cable - Has 5 pin (F) connectors - 16.3cm (6.4 inches) long
-----	-------------	--

Handle

153	C3190-40029	Handle - Right side of plotter - To load paper
-----	-------------	--

Motor/Gear

154	C4699-60064	Paper (X-axis) drive motor (includes helical drive gear) - NOTE: motor and gear are only sold as an assembly
-----	-------------	--



Paper Drive Parts

Pincharm

155 C4699-60081 Pincharm assembly - Curved black plastic plate with 4 small rubber rollers (Does NOT include spring or bushing)

Roller

156 C3190-60096 Overdrive roller - Shaft with rollers - Runs width of plotter includes overdrive housing

157 C4699-60042 Paper drive (Platen) roller assembly - Long gear driven roller - Includes roller and mark encoder

Sensor

158 C3190-60140 Media sensor mechanical assembly - Includes, edge measuring and secondary levers, media sensor and holder

Spring

159 C1633-80005 Compression spring between pincharm assembly and bushing

Paper and Other Media

Film (Clear)

C3876A Clear film (4 mil) - 61cm (24in) x 22.9m (75ft) roll

Film (Matte)

51642A Polyester matte film - 61cm (24in) x 36.6m (120ft) roll

Paper (Bright White)

C1860A Bright white InkJet paper - 61cm (24in) x 45.7m (150ft) roll

Paper (Tracing)

C3869A Natural tracing paper - 61cm (24in) x 45.7m (150ft) roll

Paper (Translucent)

C3860A Translucent bond paper - 61cm (24in) x 45.7m (150ft) roll

Vellum

C3862A Vellum - 61cm (24in) x 45.7m (150ft) roll

Roll Feed Parts

Cutter

160 C4699-60078 Cutter assembly - Attaches to right side of rollfeed assy
NO LONGER SUPPLIED

End Cap

161 C3174-40011 Spindle end cap (2in)

Rollfeed Assy

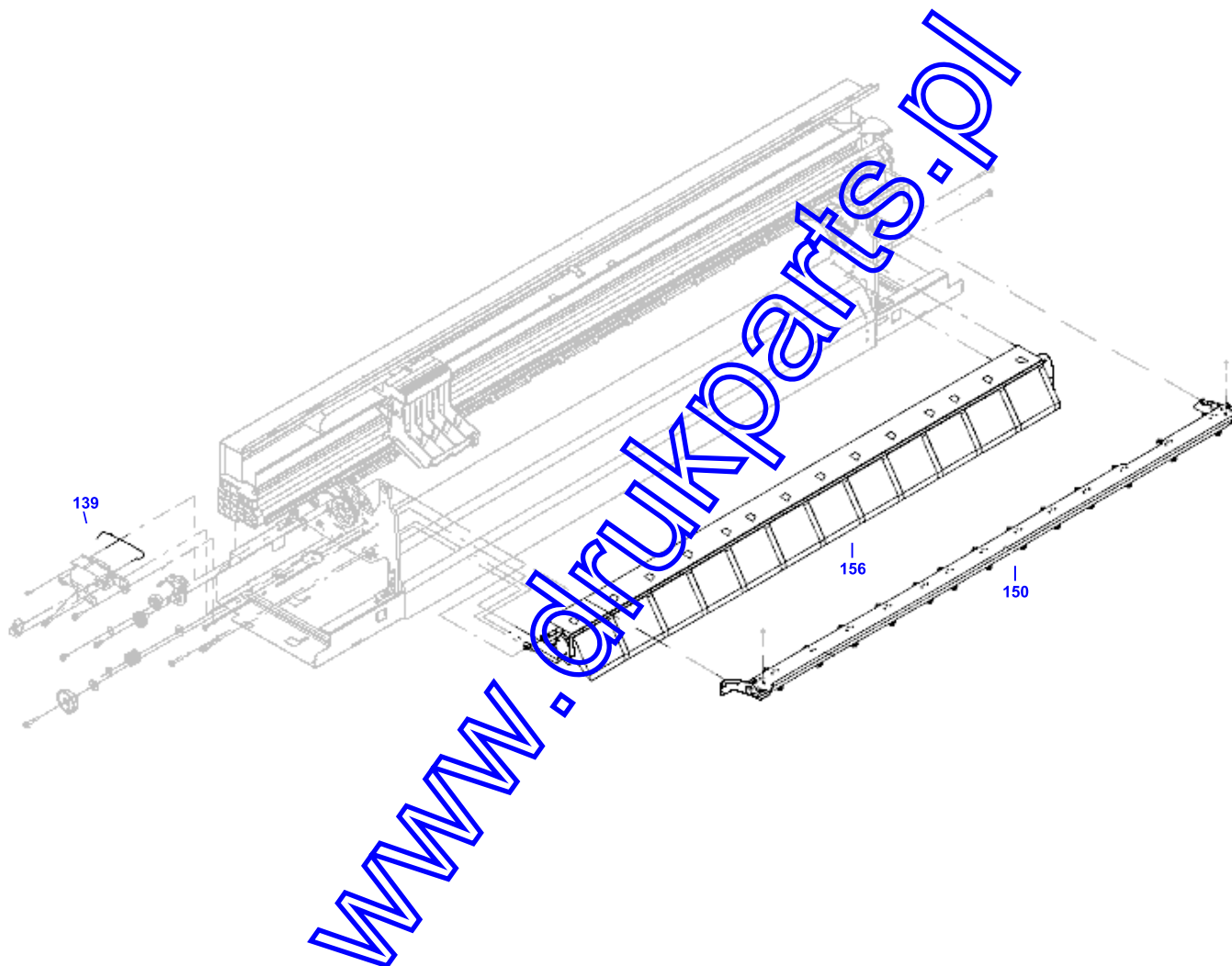
162 C3174-60013 Rollfeed assembly - Enables plotter to use rollfeed paper

Spindle

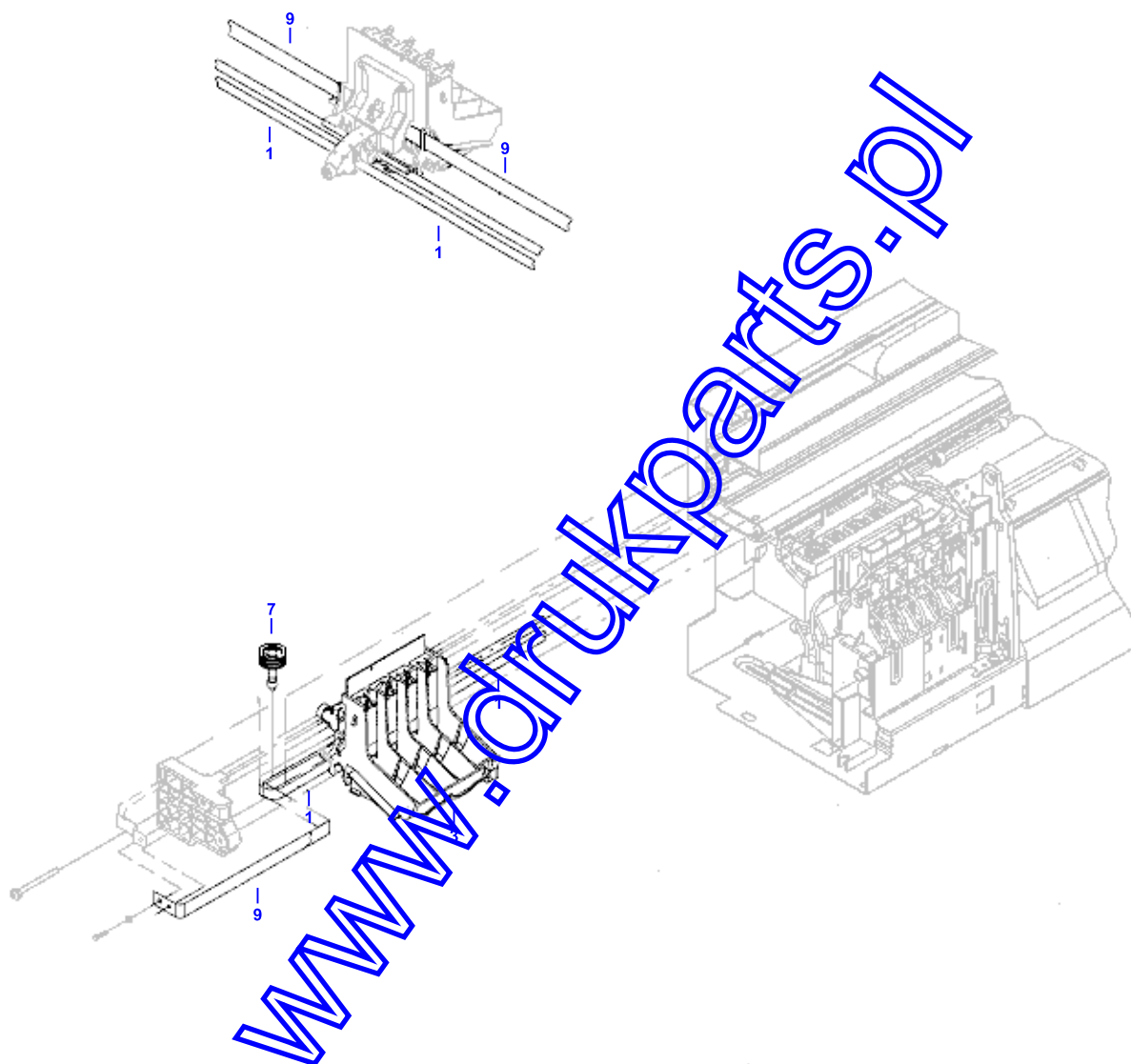
163 C3174-60005 Rollfeed spindle assembly (D-size) - Includes end caps
NO LONGER SUPPLIED

www.drukparts.pl

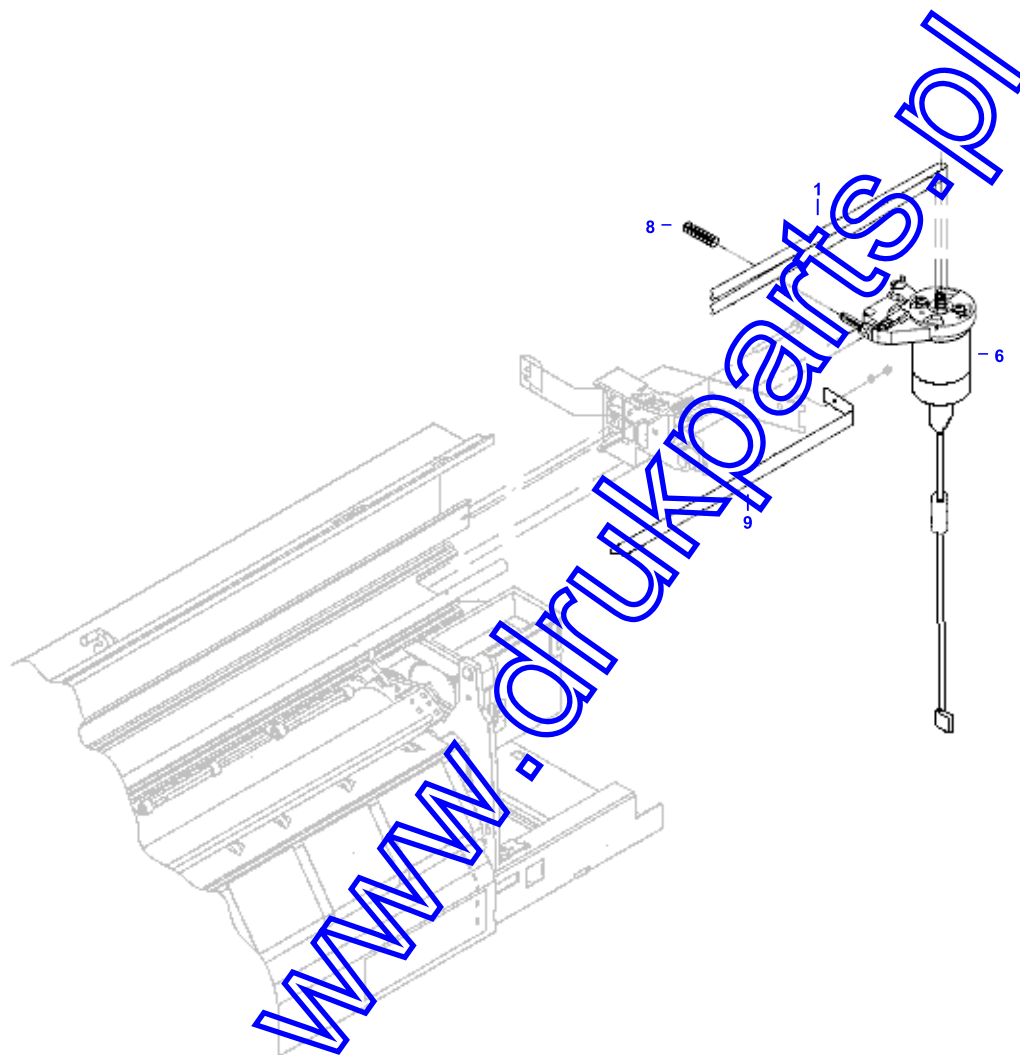
Bail and Overdrive



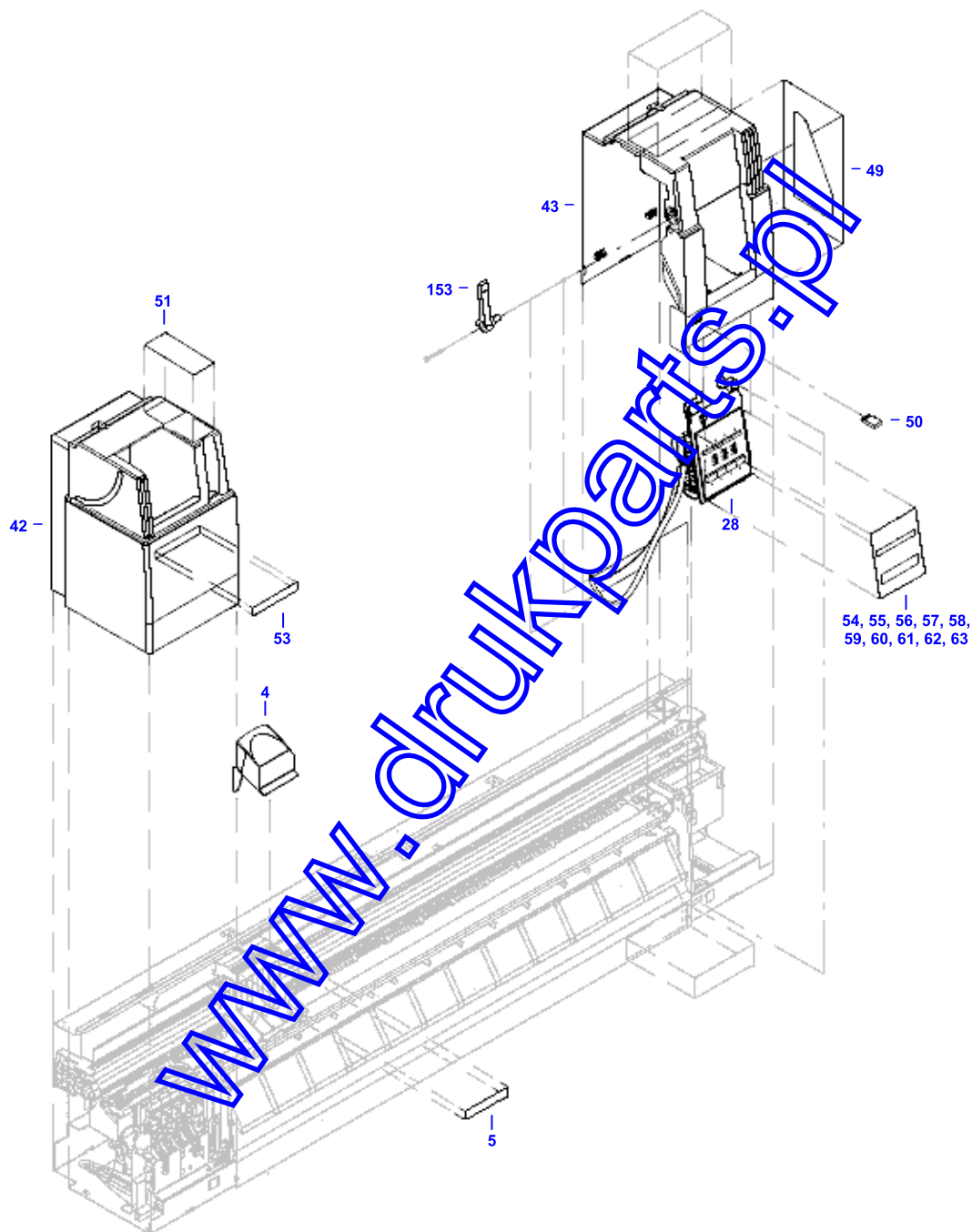
Carriage-Axis (Left End)



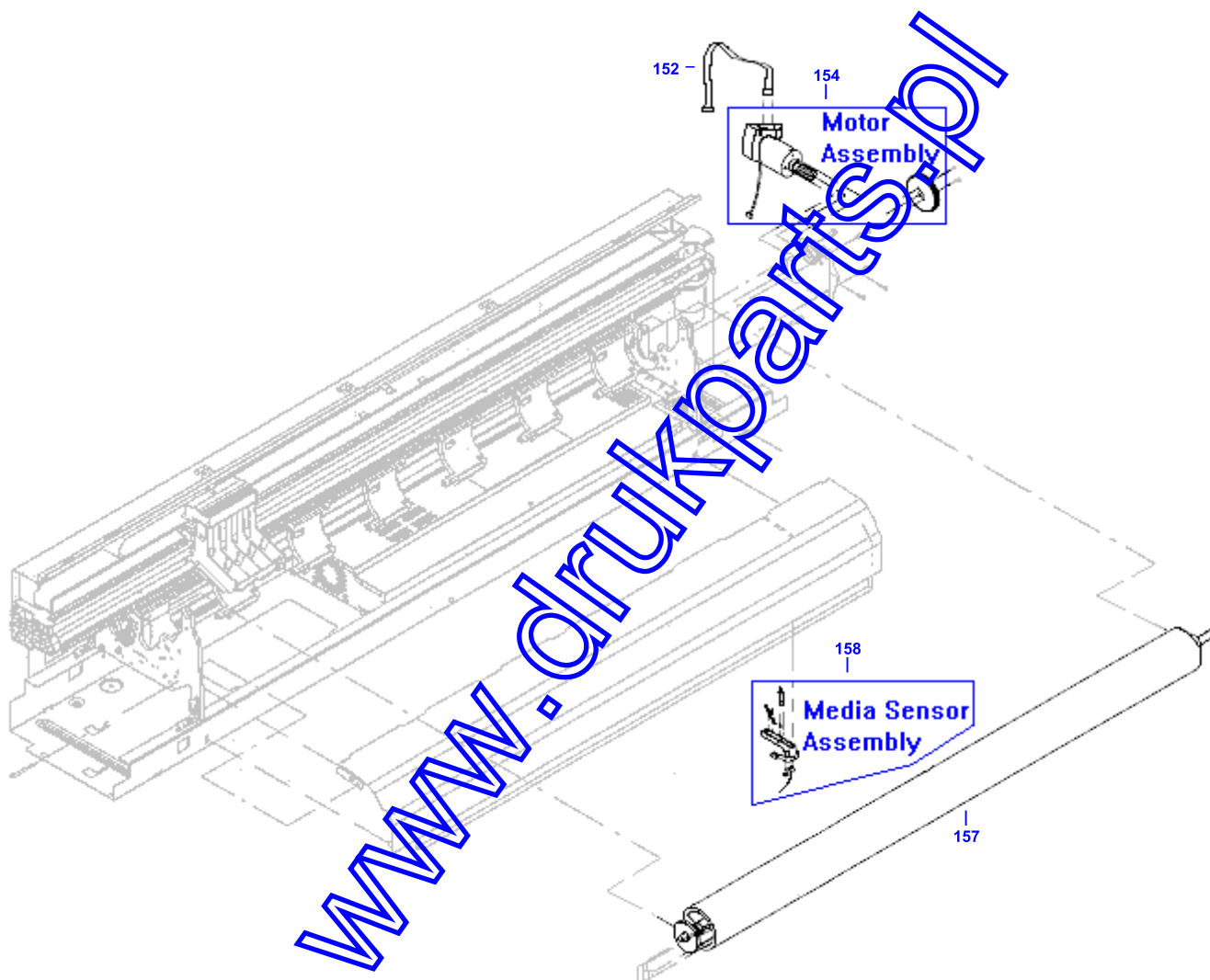
Carriage-Axis (Right End)



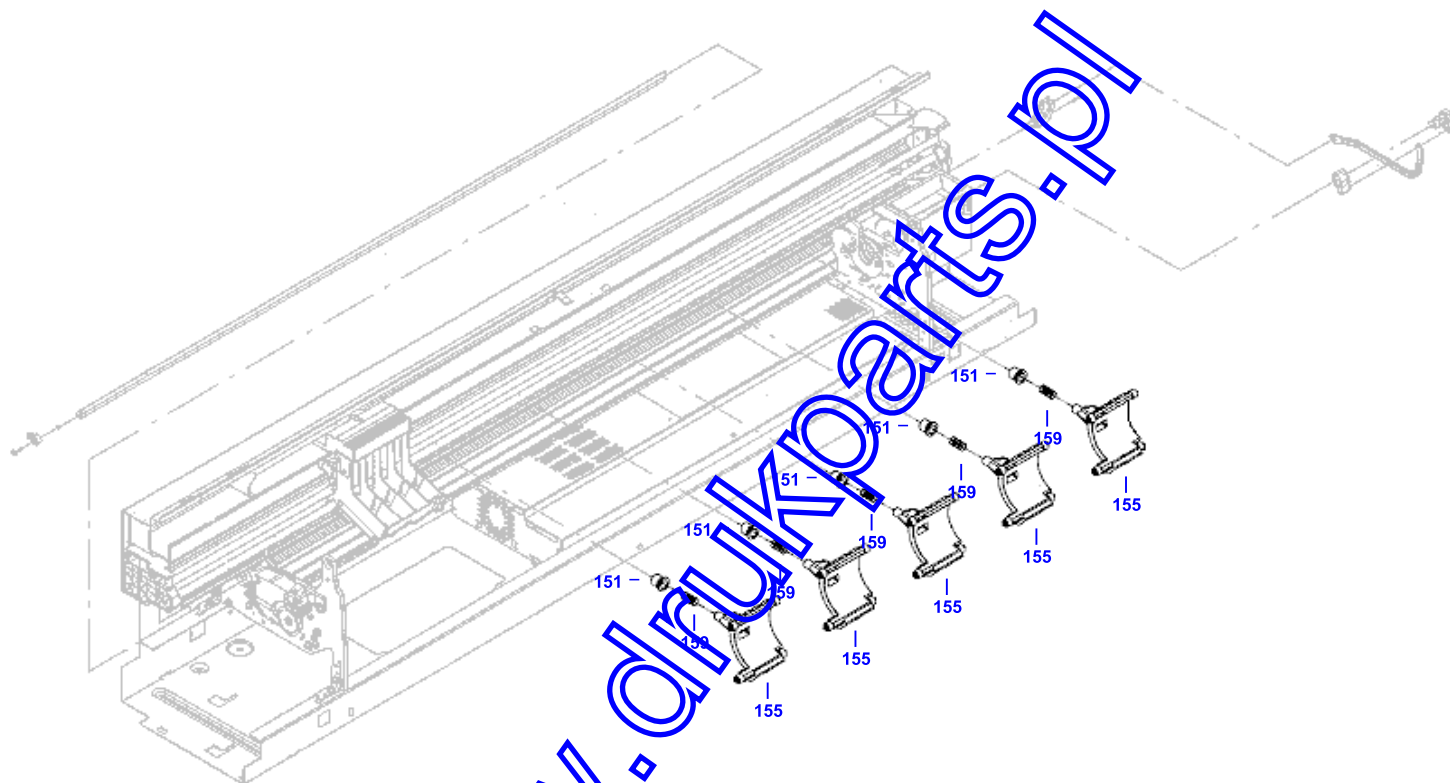
End Covers/Control Panel



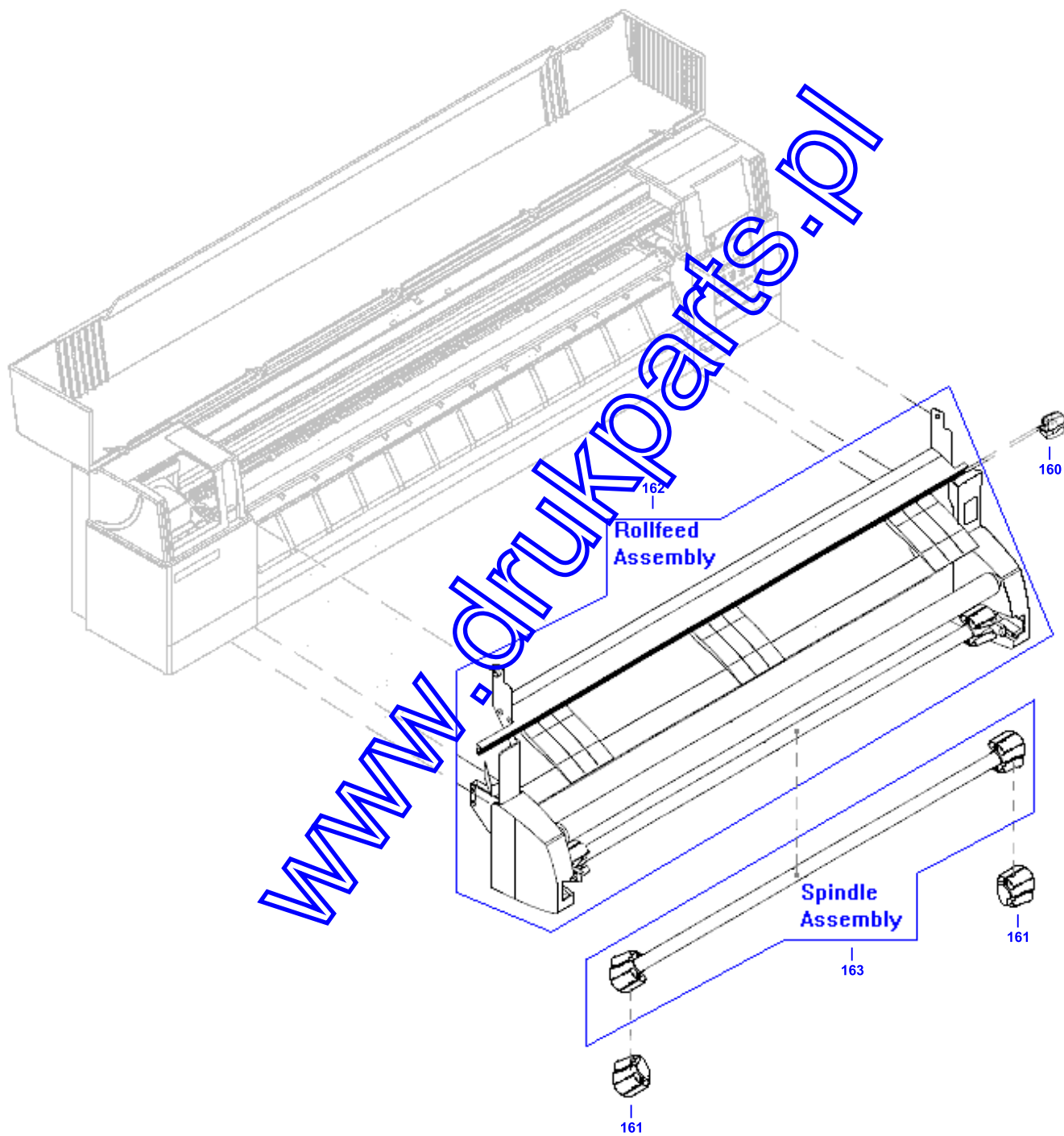
Media Entry Path



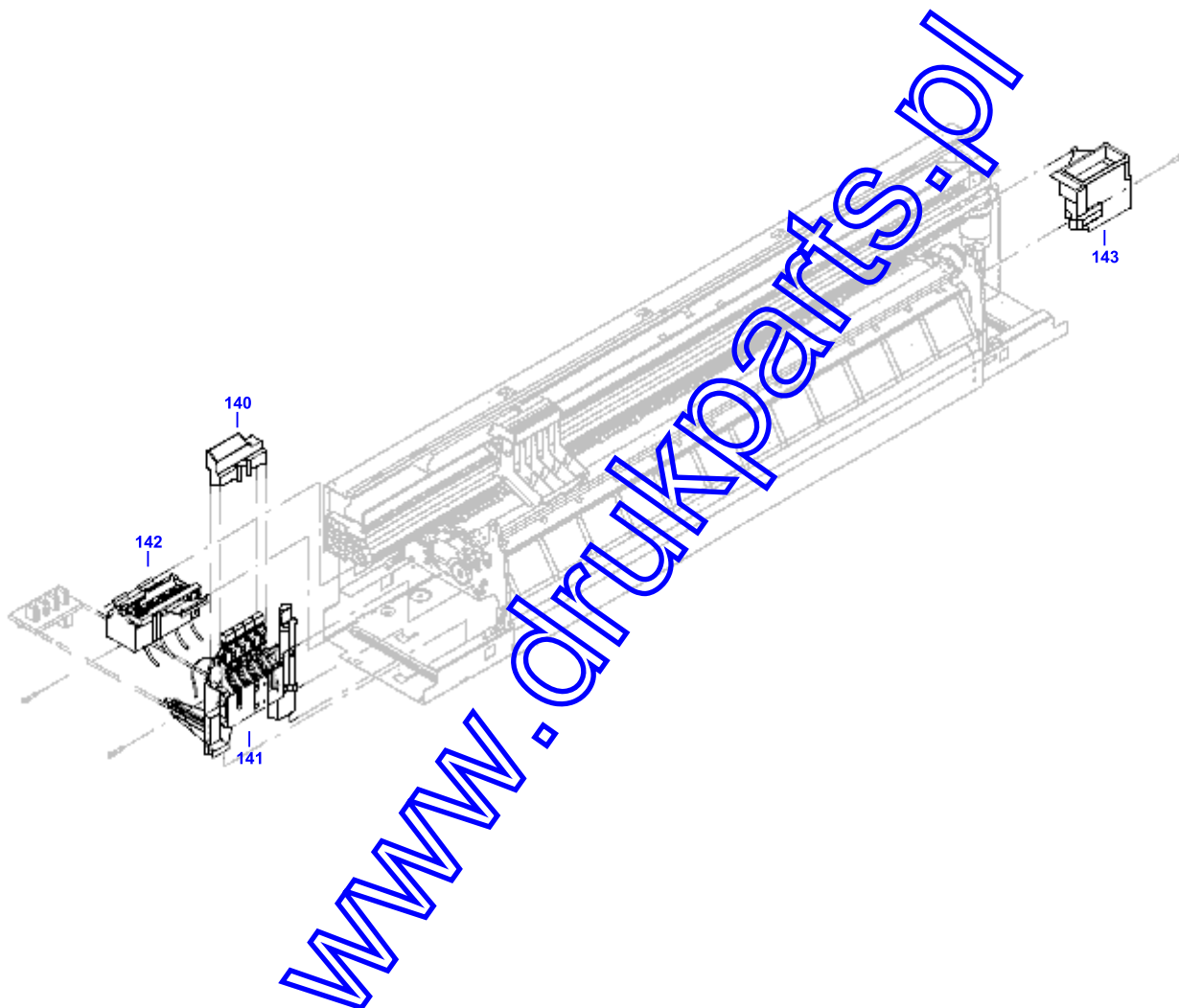
Pinch-Arm Assembly



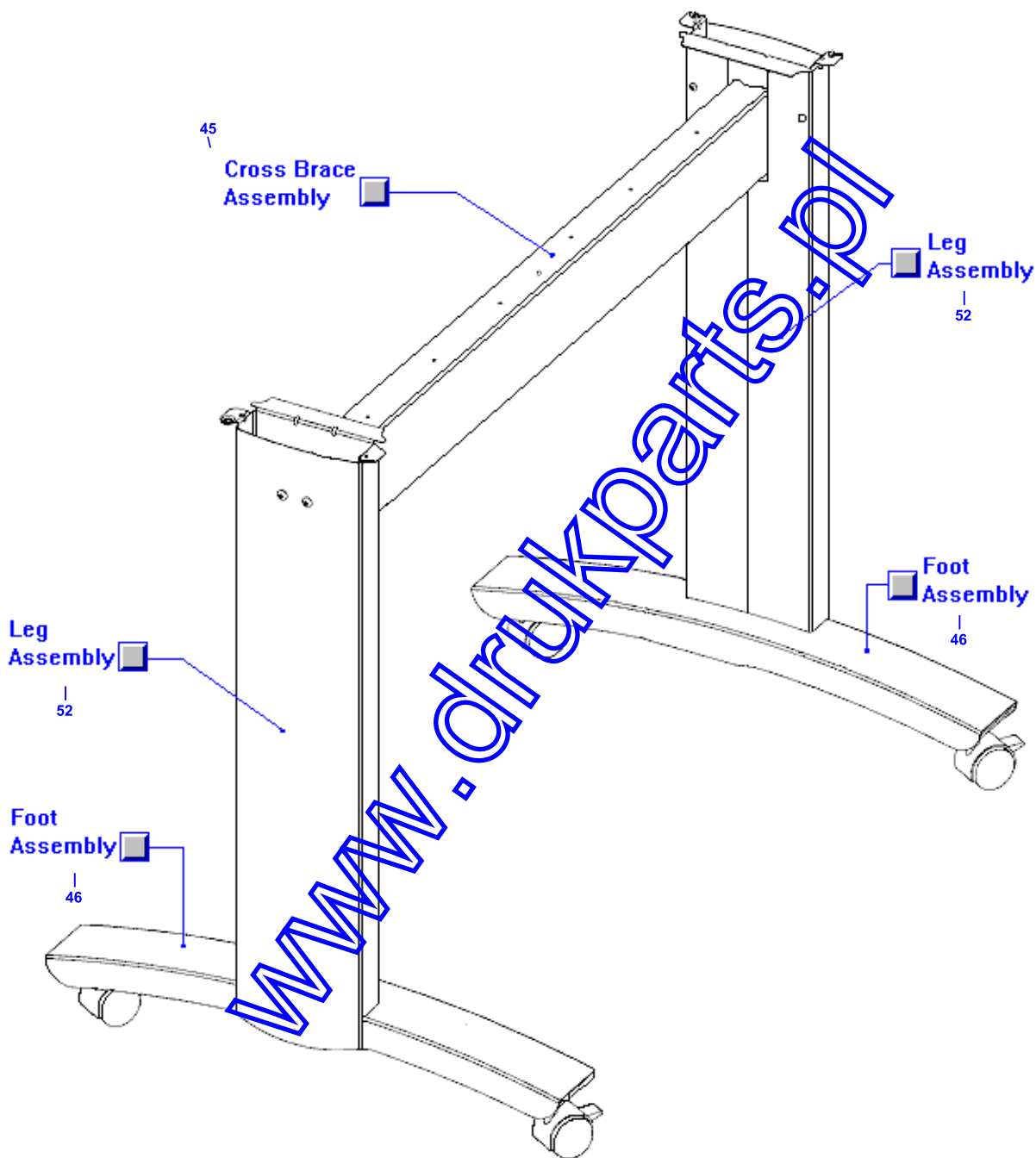
Rollfeed Assembly



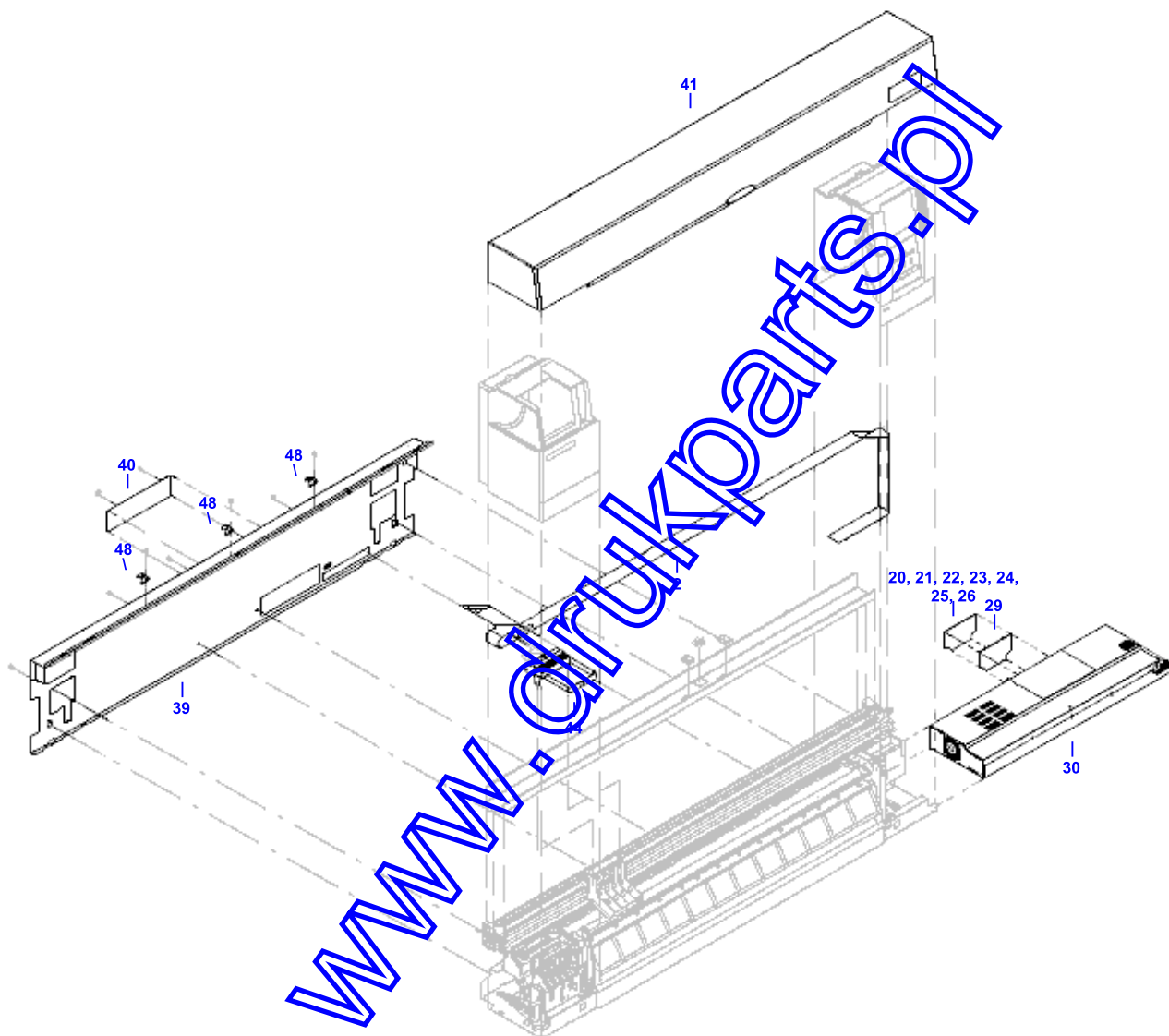
Service Station, Primer, Spittoon



Stand Assembly



Top/Back Covers, Electronics, Trailing Cable





HP Parts Reference Guide

<http://www.hp.com/go/parts>

HP PartSurfer

<http://partsurfer.hp.com>

HP Parts Ordering Information

<http://www.hp.com/go/hpparts>

HP Parts Questions/Comments

<http://partsurfer.hp.com/contactus.htm>

www.drukparts.pl