



## Carriage Drive Parts

### Belt

1 C4723-60235 Carriage (Y-axis) belt - Drives the carriage assembly

### Bracket

2 C4704-00005 Y-axis motor bracket - Includes edge wire saddle - Holds Y-Axis Motor

### Bushing

3 C4704-40084 Rear slider rod bushing (Spring loaded)

### Cable

4 C4723-60237 Carriage assembly trailing cable - Three ribbon cables bundled together - 2.4m (7.7ft) long

### Carriage Kit

5 C4723-69096 Carriage assembly - Includes carriage assembly, line sensor, encoder, rear bushing, calibration pen, digitizing sight, gauges - Trailing cable and cable clamp not included  
REQUIRES RETURN OF DEFECTIVE PART

C4723-60096 *New Part for C4723-69096*

### Clamp

6 C4704-40085 Trailing cable clamp - Secures the trailing cable to the carriage assembly

### Cover

7 C4704-40080 Encoder strip roof

8 C4704-60117 Line sensor lens cover

### Ferrite Assembly

9 9170-1687 Ferrite core - Installed on Y-AXIS motor cable

### Ground Strap

10 C4704-00016 Encoder ground strap - Provides ground to end of encoder strip

11 C4704-00035 Ground strap - Attached to Y-AXIS bracket

### Motor

12 C4723-60277 Carriage (Y-Axis) motor assembly - Drives carriage belt - Includes motor, motor holder, and cable

### Pulley

13 C4704-60020 Idler pulley - For carriage (Y-axis) belt - On right end of plotter

### Saddle

14 0460-2536 Edge wire saddle for Y-axis bracket

### Sensor

C4723-60096 Line sensor - Detects paper width and skew - Measures calibration accuracy and printhead alignment

### Spring

16 C1633-80014 Compression spring - For the rear bushing on the carriage

17 C4699-00016 Encoder spring

### Strip

18 C4723-60232 Encoder strip - Used to determine carriage position

### Tensioner

19 C4723-60063 Y-axis tensioner assembly - Applies tension to carriage belt - Includes wedge, tensioner spring, and housing

## Electronic Accessories

### Cable (Interface)

5063-1256 IEEE-1284 Bi-Tronics parallel cable - DB-25 (M) connector (type A) to 36 pin Centronics (M) connector (type B) - 2.0m (6.6ft) long

5063-1257 IEEE-1284 Bi-Tronics parallel cable - DB-25 (M) connector (type A) to 36 pin Centronics (M) connector (type B) - 3.0m (9.8ft) long

92215S RS-422 serial cable - 8 pin (M) to 8 pin (M) - 2.0m (6.6ft) long - For connecting Apple Macintosh with LocalTalk/serial connector

**Electronic Accessories**

**Cable (Interface)**

C2950A	IEEE-1284 Bi-Tronics parallel cable - DB-25 (M) connector (type A) to 36 pin Centronics (M) connector (type B) - 2.0m (6.6ft) long
5063-1256	<i>New Part for C2950A</i>
C2951A	IEEE-1284 Bi-Tronics parallel cable - DB-25 (M) connector (type A) to 36 pin Centronics (M) connector (type B) - 3.0m (9.8ft) long
C2990A	IEEE-1284 Bi-Tronics parallel cable - DB-25 (M) (type A) to 36 pin (M) Centronics (type B) - 1.8m (6ft) long NO LONGER SUPPLIED
C2991A	IEEE-1284 Bi-Tronics parallel cable - DB-25 (M) (type A) to 36 pin (M) Centronics (type B) - 3.0m (10ft) long NO LONGER SUPPLIED

**Interface (Product)**

J3258B	External JetDirect 170X LAN interface module - Interfaces a parallel printer to an ethernet 10Base-T (RJ-45) LAN
J3263A	External JetDirect 300X LAN interface module - Interfaces a parallel printer to an ethernet 10Base-T (RJ-45) or 100Base-TX (RJ-45) LAN
J4100A	JetDirect 400N modular input/output (MIO) - Internal print server - Provides 10/100Base-T or 10Base-2 network connection using RJ45 or BNC connectors
J4105A	JetDirect 400N modular input/output (MIO) internal print server - Provides token ring network connection using RJ45 or DB9 connectors
J4106A	JetDirect 400N modular input/output (MIO) internal print server - Provides 10Base-T network connection using RJ45 connector
J6060A	External JetDirect 300X print server module (10Base-T and 100Base-T) - Connects between printer parallel port and LAN network - Package of three modules

**Memory (Product)**

C6229A	4MB SIMM memory module - For DesignJet CP printer NO LONGER SUPPLIED
C6230A	8MB SIMM memory module - For DesignJet CP printer NO LONGER SUPPLIED
C6231A	16MB SIMM memory module - For DesignJet 400, 700, CP series printers NO LONGER SUPPLIED
C6232A	32MB SIMM memory module upgrade - For DesignJet 400, 700, CP series printers

**Memory (SIMM)**

1818-6171	4MB EDO (Extended Data Output) DRAM SIMM memory module
1818-6172	8MB EDO (Extended Data Output) DRAM SIMM memory module NO LONGER SUPPLIED
C4723-60263	8MB EDO (Extended Data Output) DRAM SIMM memory module
C4723-60264	16MB, 60ns EDO (Extended Data Output) DRAM SIMM memory module

**Module (Product)**

J4101B	External JetDirect LAN interface module with EtherTwist (10Base-T/Base-TX) connector
J4102B	External JetDirect LAN interface module with EtherTwist (10Base-T) connector

**Electronics/Power Supply**

**Cable**

C4704-60021	Hard drive power cable - Has 4 pin (F) connectors - 47.6cm (18.8 inches) long
C4704-60022	Ribbon cable for one IDE drive - 40 pin (F) connector to 40 pin (F) connector - 31.8cm (12.5 inches) long
C4723-60025	Ribbon cable assembly with ferrite - Has 28 pin (F) connectors - 1.7m (5.6ft) long
C4723-60237	Carriage assembly trailing cable - Three ribbon cables bundled together - 2.4m (7.7ft) long

**Carriage Kit**

C4723-69096	Carriage assembly - Includes carriage assembly, line sensor, encoder, rear bushing, calibration pen, digitizing sight, gauges - Trailing cable and cable clamp not included REQUIRES RETURN OF DEFECTIVE PART
C4723-60096	<i>New Part for C4723-69096</i>



## Electronics/Power Supply

### Drive

- 48 C4724-69021 4.3GB hard disk drive  
REQUIRES RETURN OF DEFECTIVE PART  
C4724-60021 *New Part for C4724-69021*

### Firmware

- 49 C4723-69294 Firmware SIMM kit (Revision A.04.08) - Mounts in the electronics module - NOTE: this is not a postscript SIMM  
REQUIRES RETURN OF DEFECTIVE PART  
C4723-60294 *New Part for C4723-69294*

### Front Panel

- 50 C4704-60255 Front (Control) panel and cable assembly - Includes function buttons and display

### Memory (SIMM)

- 51 1818-6171 4MB EDO (Extended Data Output) DRAM SIMM memory module  
52 1818-6172 8MB EDO (Extended Data Output) DRAM SIMM memory module  
NO LONGER SUPPLIED  
53 C4723-60263 8MB EDO (Extended Data Output) DRAM SIMM memory module  
54 C4723-60264 16MB, 60nS EDO (Extended Data Output) DRAM SIMM memory module

### Module

- 55 C4723-69114 Electronics module - Includes power supply, fan, and main board  
REQUIRES RETURN OF DEFECTIVE PART  
C4723-60114 *New Part for C4723-69114*

### Motor

- 56 C4723-60040 Bail motor

### PC Board

- 57 C4704-60009 Refill interconnect board

### Power Cord

- 8120-0698 Power cord (Black) - 18 AWG, 2.3m (7.5ft) long - Has straight (F) receptacle (For 220V/240V in the USA and Canada)  
8120-1378 Power cord (Jade Gray) - 18 AWG, 2.3m (7.5ft) long - Has straight (F) receptacle (For 120V in USA, Canada, Latin America, Korea, Taiwan, Thailand, Spain, Brazil, and Vietnam)

### Sensor

- 60 C4704-60029 Right end cover and window closed sensors - Includes cable and connector  
61 C4704-60052 Pincharm sensor  
62 C4704-60058 Left end cover sensor - Includes cable and connector  
63 C4704-60195 Media sensor assembly - Includes, edge measuring and secondary levers, media sensor and holder  
C4723-60096 Line sensor - Detects paper width and skew - Measures calibration accuracy and printhead alignment

### Switch

- 65 C4704-60056 Power switch - Includes cable  
66 C4704-60261 Stand-by switch assembly  
67 C4723-60017 Media load switch assembly

## External Case Parts

### Cover

- C4704-00004 MIO (Modular input/output) cover  
69 C4704-00033 SIMM slot cover  
70 C4704-40057 Electronics module left cover  
71 C4704-40058 Electronics module right cover  
72 C4704-60274 Electronics module cover  
73 C4723-00010 Rear cover



**External Case Parts**

**Cover**

- 74 C4723-20008 Electronics module center cover
- 75 C4723-60115 Right end cover - Has cut outs for the control panel
- 76 C4723-60116 Left end cover

**Cross-Brace**

- 77 C4723-60077 Cross-brace - Main structure that extends between stand legs

**Foot**

- 78 C4723-60086 Foot assembly (includes casters)

**Hardware Kit**

- 79 C4723-60095 Hardware kit - Includes screwdriver and screws for printer stand

**Holder**

- 80 C4704-60218 Quick reference holder pocket - Holds quick reference guides and media knife

**Leg**

- 81 C4704-60075 Leg assembly - Side support for the plotter - Does NOT include the foot assembly

**Nameplate/Logo**

- C4723-00074 Nameplate - DesignJet 3000CP

**Overlay**

- C4723-60201 Front panel overlay - Shows the function of the front panel buttons and indicator lights (English)
- C4723-60202 Front panel overlay - Shows the function of the front panel buttons and indicator lights (Korean)
- C4723-60203 Front panel overlay - Shows the function of the front panel buttons and indicator lights (Taiwanese)
- C4723-60204 Front panel overlay - Shows the function of the front panel buttons and indicator lights (German)
- C4723-60205 Front panel overlay - Shows the function of the front panel buttons and indicator lights (French)
- C4723-60206 Front panel overlay - Shows the function of the front panel buttons and indicator lights (Spanish)
- C4723-60207 Front panel overlay - Shows the function of the front panel buttons and indicator lights (Italian)
- C4723-60208 Front panel overlay - Shows the function of the front panel buttons and indicator lights (Japanese)
- C4723-60209 Front panel overlay - Shows the function of the front panel buttons and indicator lights (Portuguese)
- C4723-60210 Front panel overlay - Shows the function of the front panel buttons and indicator lights (Chinese)

**Sensor**

- 93 C4723-69071 Take-up reel sensor assembly  
REQUIRES RETURN OF DEFECTIVE PART
- C4723-60071 *New Part for C4723-69071*

**Spindle**

- 94 C4723-60064 Take-up reel spindle assembly

**Support**

- 95 C4723-60072 Take-up reel left hand support assembly
- 96 C6246-60009 Take-up reel right hand support assembly

**Tray**

- 97 C4723-60084 Plotter stand tray assembly - Mounted between the feet of plotter

**Tube Kit**

- 98 C4723-60060 Media weight and core kit for the take-up reel

**Window**

- 99 C4723-60236 Lift-up viewing window



## Optional Interfaces

### Interface (Product)

J2552B	LAN & LocalTalk interface - Has EtherTwist (10Base-T), ThinLAN (10Base-2), and LocalTalk (DIN-8) connectors NO LONGER SUPPLIED
J2555B	Token ring LAN interface board - DB-9 and RJ-45 connectors NO LONGER SUPPLIED
J2590A	External JetDirect LAN interface module with RJ-45 connector for EtherTwist (10Base-T) or 100VG/802.12 input and 3 parallel (DB-25) output connectors NO LONGER SUPPLIED
J2591A	External JetDirect LAN interface module and power module - Has EtherTwist (10Base-T) and ThinLAN (10Base-2) connectors NO LONGER SUPPLIED
J3264A	External JetDirect 500X token ring interface module - Interfaces up to 3 parallel printers to a token ring (DB-9 or RJ-45) LAN
J3265A	External JetDirect 500X LAN interface module - Interfaces up to 3 parallel printers to an ethernet 10Base-T (RJ-45), 10Base2 (BNC), or 100Base-TX (RJ-45) LAN

### Module

J2590-69001	External JetDirect LAN interface module with RJ-45 connector for etherTwist (10Base-T) or 100VG/802.12 input and 3 parallel (DB-25) output connectors REQUIRES RETURN OF DEFECTIVE PART
J2590-61011	<i>New Part for J2590-69001</i>
J2591-69001	External JetDirect LAN interface module with etherTwist (10Base-T) and ThinLAN (10BASE-2) connectors
J2593-69001	External JetDirect LAN interface module with EtherTwist (10Base-T) and ThinLAN (10BASE-2) input connectors and 3 parallel (DB-25) output connectors - (part of J2593A)
J2594-69001	External JetDirect token ring interface module with DB-9 and RJ-45 input connectors and 3 parallel (DB-25) output connectors - (part of J2594A) REQUIRES RETURN OF DEFECTIVE PART
J2594-61011	<i>New Part for J2594-69001</i>

### PC Board (Interface)

J2552-69013	LAN and LocalTalk interface - EtherTwist (10Base-T), ThinLAN (10Base-2), and LocalTalk (DIN-8) connectors
J2555-69013	Token ring LAN interface board - DB-9 and RJ-45 connectors

## Other Accessories

### CD-ROM (Support)

C7769-90066	DesignJet support CD ROM - Version A.04.01 - Has product information, user's manuals, service manuals, diagnostic software, test drawings, newsletters, and service notes
-------------	---

### Cleaning Supplies

C6247A	DesignJet cleaning kit - Includes cleaning solution and 20 cleaning rags
--------	--

### Humidor

C6236A	DesignJet CP ink system storage container - Holds printheads and printhead cleaners when not in use
--------	---

### Ink System Return Kit

5183-5283	Return kit (Box and Instructions) - For returning defective large format printer ink systems covered under CREW program
-----------	---

### Ink and Printhead

C1806A	Black ink system - Includes print head, print head cleaner and ink cartridge
C1807A	Cyan ink system - Includes print head, print head cleaner and ink cartridge
C1808A	Magenta ink system - Includes print head, print head cleaner and ink cartridge
C1809A	Yellow ink system - Includes print head, print head cleaner and ink cartridge
C1892A	Black UV ink system - Includes print head, print head cleaner and ink cartridge
C1893A	Cyan UV ink system - Includes print head, print head cleaner and ink cartridge
C1894A	Magenta UV ink system - Includes print head, print head cleaner and ink cartridge



**Other Accessories**

**Ink and Printhead**

C1895A Yellow UV ink system - Includes print head, print head cleaner and ink cartridge

**Kit**

C4723-60141 Preventive maintenance kit - Contains line sensor cover, encoder strip, Y-AXIS pulley, belt, motor, cutter, silicon grease, plastic surface cleaner, synthetic oil and wipes

C4723-60238 Adjustment kit - Includes instructions, empty cartridge, digitizing sight (magnifier) and gauge

**Lubricant**

6040-0855 Synthetic oil - 4oz (113g) plastic bottle

**Manual**

5959-9733 HP-GL/2 & HP RTL reference guide - Programming information, handbook for developers

5959-9734 Comparison guide for HP-GL/2 and RTL peripherals (English)

**Manual Kit**

C4724-60011 DesignJet 3000CP/3500CP manual kit - Includes assembly instructions, setup guide, user's guide, quick reference guide and network connection guide (English)

**Software**

C6072-60281 Toolbox and driver software - HP-GL/2 and RTL drivers for Windows 3.1/95/98/NT 4.0 (all DesignJets), and toolbox software for Windows 95/NT 4.0 (Only for DesignJet 430/450C/455CA/1050C/1055CM) - On 3.5-inch 1.44MB floppy disks (English)

C6072-60284 Toolbox and driver software - HP-GL/2 and RTL drivers for Windows 3.1/95/98/NT 4.0 (all DesignJets), and toolbox software for Windows 95/NT 4.0 (Only for DesignJet 430/450C/455CA/1050C/1055CM) - On 3.5-inch 1.44MB floppy disks (German)

C6072-60285 Toolbox and driver software - HP-GL/2 and RTL drivers for Windows 3.1/95/98/NT 4.0 (all DesignJets), and toolbox software for Windows 95/NT 4.0 (Only for DesignJet 430/450C/455CA/1050C/1055CM) - On 3.5-inch 1.44MB floppy disks (French)

C6072-60286 Toolbox and driver software - HP-GL/2 and RTL drivers for Windows 3.1/95/98/NT 4.0 (all DesignJets), and toolbox software for Windows 95/NT 4.0 (Only for DesignJet 430/450C/455CA/1050C/1055CM) - On 3.5-inch 1.44MB floppy disks (Spanish)

C6072-60287 Toolbox and driver software - HP-GL/2 and RTL drivers for Windows 3.1/95/98/NT 4.0 (all DesignJets), and toolbox software for Windows 95/NT 4.0 (Only for DesignJet 430/450C/455CA/1050C/1055CM) - On 3.5-inch 1.44MB floppy disks (Italian)

C6072-60301 HP-GL/2 driver software for AutoCAD - For DOS and Windows 3.1/95/NT 4.0 - On 3.5-inch 1.44MB floppy disks (English)

C6072-60304 HP-GL/2 driver software for AutoCAD - For DOS and Windows 3.1/95/NT 4.0 - On 3.5-inch 1.44MB floppy disks (German)

C6072-60305 HP-GL/2 driver software for AutoCAD - For DOS and Windows 3.1/95/NT 4.0 - On 3.5-inch 1.44MB floppy disks (French)

C6072-60306 HP-GL/2 driver software for AutoCAD - For DOS and Windows 3.1/95/NT 4.0 - On 3.5-inch 1.44MB floppy disks (Spanish)

C6072-60307 HP-GL/2 driver software for AutoCAD - For DOS and Windows 3.1/95/NT 4.0 - On 3.5-inch 1.44MB floppy disks (Italian)

C6071-60368 ZEHRaster software for UNIX - Allows TIFF and JPEG printing on DesignJet 700 series, 1000 series, and CP series (Japanese)

C7779-60040 ZEHRaster software for UNIX - Allows TIFF and JPEG printing on DesignJet 700 series, 1000 series, and CP series (Chinese)

C7779-60041 ZEHRaster software for UNIX - Allows TIFF and JPEG printing on DesignJet 700 series, 1000 series, and CP series (English)

C7779-60042 ZEHRaster software for UNIX - Allows TIFF and JPEG printing on DesignJet 700 series, 1000 series, and CP series (Korean)

C7779-60043 ZEHRaster software for UNIX - Allows TIFF and JPEG printing on DesignJet 700 series, 1000 series, and CP series (Taiwanese)

C7779-60044 ZEHRaster software for UNIX - Allows TIFF and JPEG printing on DesignJet 700 series, 1000 series, and CP series (German)



## Other Accessories

### Software

- C7779-60045 ZEHRaster software for UNIX - Allows TIFF and JPEG printing on DesignJet 700 series, 1000 series, and CP series (French)
- C7779-60046 ZEHRaster software for UNIX - Allows TIFF and JPEG printing on DesignJet 700 series, 1000 series, and CP series (Spanish)
- C7779-60047 ZEHRaster software for UNIX - Allows TIFF and JPEG printing on DesignJet 700 series, 1000 series, and CP series (Italian)

## Other Internal Parts

### Bushing

- 149 C3195-40076 Cutter bushing - Connects cutter assembly to slider rod

### Cable

- 150 C4704-60024 Ribbon cable assembly - Has 28 pin (F) connectors - 23.5cm (9.3 inches) long

### Clamp

- 151 C4723-40086 Trailing cable holder

### Cutter

- 152 C4723-60244 Cutter assembly - Auto cutter for rollfeed paper

### Elevator

- 153 C4704-60033 Elevator platform assembly - Raises and lowers ink cartridges to fill the print heads - Located on left side of plotter

### Flag

- 154 C4704-40007 Service station flag - Spring loaded flag on right side of service station

### Refill Assembly

- 155 C4723-60249 Refill assembly - Mounted inside the left hand cover - includes motor and gears

### Service Station

- 156 C4723-60276 Service station assembly

### Spring

- 157 C4704-80009 Service station spring

### Support

- 158 C4723-60290 Electronics support frame and cover supports - Includes the support located above the refill interconnect cable and the two supports used to mount the rear cover

### Trim

- 159 C4704-60113 Right trim assembly - At right of entry platen
- 160 C4723-60111 Left trim assembly - At left of entry platen

## Paper Drive Parts

### Bail

- 315 C4723-60279 Bail assembly - Mounting strip assembly for the starwheel mount assemblies (Not included) - Extends width of plotter

### Bushing

- 316 C1633-40082 Pinch arm spring retaining bushing

### Cam

- 317 C3180-40020 Pinch arm cam - Attached to pinch arm (Media) lever
- 318 C3190-60149 Left cam journal - Mounted on left end of pinch arm shaft

### Gear

- 319 C1633-40019 Overdrive gear cluster

### Guard

- 320 C4723-60250 Starguard starwheel cover assembly

**Paper Drive Parts**
**Guide**

321 C4723-60110 Media guide - Mounted above the entry platen

**Lever**

322 C4704-40059 Pinch arm (media) lever - Used when loading paper

**Link**

323 C4723-00025 Front wire link

**Motor**

324 C4723-60303 X-AXIS motor assembly - Includes motor, belt, and worm gear - No longer supplied - Order X-AXIS motor assembly kit  
 NO LONGER SUPPLIED

C4724-60053 *New Part for C4723-60303*

325 C4724-60053 X-Axis motor assembly kit - New design does not use a belt - Kit includes motor with attached worm gear, helical gear, motor mount, screws and nuts for mounting the parts, grease for the helical gear installation instructions

**Overdrive Assy**

326 C4723-60234 Overdrive assembly - Includes overdrive shims, clutch and overdrive gear

**Pincharm**

327 C4723-60247 Pincharm Assembly - Curved black plastic plate with 4 small rubber rollers (Does NOT include spring or bushing)

**Platen**

328 C4723-60246 Entry Platen Assembly - Curved cover/guide that is next to the paper drive (Platen) roller

**Roller**

329 C4723-60242 Paper drive (Platen) roller assembly - Long gear driven roller

**Sensor**

330 C4704-60052 Pincharm sensor

331 C4704-60195 Media sensor assembly - Includes, edge measuring and secondary levers, media sensor and holder

**Shaft**

332 C4723-60240 Pincharm shaft assembly - Includes cam journals mounted on each end

**Spring**

333 C1633-80005 Compression spring between pincharm assembly and bushing

**Starwheel Mount**

334 C4704-60143 Big starwheel mount assembly - Includes cover, body, spring and two starwheels

335 C4713-60035 Starwheel mount assembly - Includes cover, body, spring and two starwheels

**Support**

336 C4704-40026 Roller support bracket on left side plate

**Paper and Other Media**
**Canvas**

C6771A Studio canvas (360 gsm) - 91.4cm (36in) x 10.7m (35ft) roll - For regular ink or UV resistant ink

C6773A Studio canvas (360 gsm) - 137.2cm (54in) x 10.7m (35ft) roll - For regular ink or UV-resistant ink

C7966A Canvas with Matte finish - 61cm (24in) x 10.7m (35ft) (USA)

C7967A Canvas with Matte finish - 91.4cm (36in) x 10.7m (35ft) (USA)

C7968A Canvas with Matte finish - 106.7cm (42in) x 10.7m (35ft) (USA)

Q1696A Canvas Matte - 137.2cm (54in) x 10.7m (35ft) (USA)

Q1724A Canvas Paper (180 gsm) - 91.4cm (36in) x 10.7m (35ft) (USA)

**Film (Adhesive)**

C6760A 3M 8522CP opaque imaging media - 91.4cm (36in) x 13.7m (45ft) roll - Flexible white opaque vinyl with removable pressuresensitive adhesive backing for outdoor use - UV ink only

C6761A 3M 8519CP lustre (Semi-gloss) overlamine - 91.4cm (36in) x 22.9m (75ft) roll - Vinyl with pressure sensitive adhesive backing - Used to protect 3M 8522CP opaque imaging media



**Paper and Other Media****Film (Adhesive)**

C6762A	3M 8520CP matte overlamine - 91.4cm (36in) x 22.9m (75ft) roll - Vinyl with pressure sensitive adhesive backing - Used to protect 3M 8522CP opaque imaging media
C1882A	3M 8522CP opaque imaging media - 137.2cm (54in) x 13.7m (45ft) roll - Flexible white opaque vinyl with removable pressure sensitive adhesive backing for outdoor use - UV ink only
C1884A	3M 8519CP Lustre (semi-gloss) Overlamine - 137.2cm (54in) x 22.9m (75ft) roll - Vinyl with pressure sensitive adhesive backing - Used to protect 3M 8522CP opaque imaging media
C1886A	3M 8520CP matte overlamine - 137.2cm (54in) x 22.9m (75ft) roll - Vinyl with pressure sensitive adhesive backing - Used to protect 3M 8522CP opaque imaging media

**Film (Cling)**

Q1914A	Two View Cling film - 91.4cm (36in) x 22.9m (75ft)
Q1915A	Two View Cling film - 106.7cm (42in) x 22.9m (75ft)

**Film (Glossy)**

C6794A	Durable Imaging Glossy UV media - For UV ink only - 91.4cm (36in) x 30.5m (100ft) roll
C6795A	Durable Imaging Glossy UV media - For UV ink only - 137.2cm (54in) x 30.5m (100ft) roll

**Film (Matte)**

C7909A	Double Matte Eraseable Film - 61cm (24in) x 38.1m (125ft) (USA)
C7910A	Double Matte Eraseable Film - 76.2cm (30in) x 38.1m (125ft) (USA)
C7911A	Double Matte Eraseable Film - 91.4cm (36in) x 38.1m (125ft) (USA)
C7912A	Double Matte Film - 106.7cm (42in) x 38.1m (125ft) (USA)
Q1736A	Polyester Film White Matte - 91.4cm (36in) x 15.2m (50ft) (USA)
Q1737A	Polyester Film White Matte - 137.2cm (54in) x 15.2m (50ft) (USA)

**Film (Opaque)**

C7955A	Opaque White Glossy Polyester Film - 61cm (24in) x 15.2m (50ft) (USA)
C7956A	Opaque White Glossy Film - 91.4cm (36in) x 15.2m (50ft) (USA)
C7957A	Opaque Polyester Film - 106.7cm (42in) x 15.2m (50ft) (USA)
C7958A	Opaque Polyester Film - 137.2cm (54in) x 15.2m (50ft) (USA)

**Paper**

C7922A	Basic Bond paper - 106.7cm (42in) x 45.7m (150ft)
C7923A	Basic Heavyweight Paper - 61cm (24in) x 30.5m (100ft) (USA and Asia/Pacific)
C7924A	Basic Heavyweight Paper - 91.4cm (36in) x 30.5m (100ft) (USA and Asia/Pacific)
C7925A	Basic Heavyweight Paper - 106.7cm (42in) x 30.5m (100ft) (USA and Asia/Pacific)
C7926A	Basic Heavyweight Paper - 137.2cm (54in) x 30.5m (100ft) (USA and Asia/Pacific)
C7929A	Super Heavyweight Paper - 61cm (24in) x 22.9m (75ft) (USA and Asia/Pacific)
C7930A	Super Heavyweight Paper - 91.4cm (36in) x 22.9m (75ft) (USA and Asia/Pacific)
C7931A	Super Heavyweight Paper - 106.7cm (42in) x 22.9m (75ft) (USA)
C7932A	Super Heavyweight Paper - 137.2cm (54in) x 22.9m (75ft) (USA)
C7950A	Outdoor Billboard - 137.2cm (54in) x 30.5m (100ft) (USA)
C8284A	Basic Coated Paper - 137.2cm (54in) x 45.7m (150ft) (USA and Asia/Pacific)
Q1396A	Universal Bond Paper - 61cm (24in) x 30.5m (100ft)
Q1397A	Universal Bond Paper - 91.4cm (36in) x 30.5m (100ft)
Q1398A	Universal Bond Paper - 106.7cm (42in) x 30.5m (100ft)
Q1432A	Yupo Synthetic Paper - 91.4cm (36in) x 30.5m (100ft)
Q1434A	Yupo Synthetic Paper - 137.2cm (54in) x 30.5m (100ft)
Q1703A	Fine Art Aquarella paper - 91.4cm (36in) x 10.7m (35ft) roll (USA)
Q1706A	Fine Art Vanilla paper - 91.4cm (36in) x 10.7m (35ft) (USA)

**Paper and Other Media****Paper**

Q1709A	Fine Art Cream paper - 91.4cm (36in) x 10.7m (35ft) roll (USA)
Q1712A	Fine Art Ice Blue paper - 91.4cm (36in) x 10.7m (35ft) (USA)
Q1715A	Fine Art Sahara paper - 91.4cm (36in) x 10.7m (35ft) roll (USA)
Q1730A	Outdoor Paper - 91.4cm (36in) x 30.5m (100ft) (USA)
Q1731A	Outdoor Paper - 137.2cm (54in) x 30.5m (100ft) (USA)
Q1733A	Indoor Self Adhesive Paper - 91.4cm (36in) x 22.9m (75ft) (USA)
Q1734A	Indoor Self Adhesive paper - 137.2cm (54in) x 22.9m (75ft) (USA)
Q1739A	Heat Transfer Paper - 91.4cm (36in) x 30.5m (100ft) (USA)
Q1740A	Heat Transfer Paper - 137.2cm (54in) x 30.5m (100ft) (USA)
Q1745A	Paper Backed Fabric Polyester - 91.4cm (36in) x 10.1m (33ft) (USA)
Q1746A	Paper Backed Fabric Polyester - 137.2cm (54in) x 10.1m (33ft) (USA)
Q1748A	Paper Backed Fabric Silk Satin - 91.4cm (36in) x 10.1m (33ft) (USA)
Q1749A	Paper Backed Fabric Silk Satin - 137.2cm (54in) x 10.1m (33ft) (USA)
Q1757A	Fluorescent Yellow Colored Paper - 91.4cm (36in) x 45.7m (150ft) (USA)
Q1760A	Yellow Colored Paper - 91.4cm (36in) x 45.7m (150ft) (USA)
Q1899A	Scrim Banner paper - 106.7cm (42in) x 15.2m (50ft)
Q1904A	Polypropylene with Matte finish - 106.7cm (42in) x 22.9m (75ft)
Q1906A	Polypropylene with Matte finish - 137.2cm (54in) x 22.9m (75ft)
Q1907A	Polypropylene with Matte finish - 152.4cm (60in) x 22.9m (75ft)
Q1908A	Polypropylene Adhesive Back print media - 91.4cm (36in) x 21.3m (70ft)
Q1909A	Polypropylene Adhesive Back print media - 106.7cm (42in) x 21.3m (70ft)

**Paper (Backlit)**

C7875A	Large format Colorlucet backlit UV media - 91.4cm (36in) x 3.0m (10ft)
C7960A	Backlit Reverse Print paper - 91.4cm (36in) x 22.9m (75ft) (USA)
C7961A	Backlit Reverse Print paper - 137.2cm (54in) x 22.9m (75ft) (USA)
C6778A	Colorlucet backlit UV paper - 91.4cm (36in) x 30.5m (100ft) roll - For UV (pigmented) inks ONLY
C6779A	Colorlucet backlit UV paper - 137.2cm (54in) x 30.5m (100ft) roll - For UV (pigmented) inks ONLY

**Paper (Banner)**

Q1898A	Scrim Banner - 91.4cm (36in) x 15.2m (50ft)
Q1901A	Scrim Banner paper - 137.2cm (54in) x 15.2m (50ft)
C6786A	Banner paper with Tyvek (140 gsm) - UV ink only - 61cm (24in) x 15.2m (50ft) roll NO LONGER SUPPLIED
C6787A	Banner paper with Tyvek (140 gsm) - UV ink only - 91.4cm (36in) x 15.2m (50ft) roll
C6789A	Banner paper with Tyvek (140 gsm) - UV ink only - 91.4cm (36in) x 15.2m (50ft) roll

**Paper (Bright White)**

C1860A	Bright white InkJet paper - 61cm (24in) x 45.7m (150ft) roll
C1861A	Bright white InkJet paper - 91.4cm (36in) x 45.7m (150ft) roll
C6810A	Bright white InkJet paper - 91.4cm (36in) x 91.4m (300ft) roll

**Paper (Coated)**

C6019A	Coated Paper (98 gsm) - 61cm (24in) x 45.7m (150ft)
C8281A	Basic Coated Paper - 61cm (24in) x 45.7m (150ft) (USA and Asia/Pacific)
Q1412A	Universal Heavyweight Coated paper - 61cm (24in) x 30.5m (100ft)
Q1413A	Universal Heavyweight Coated Paper - 91.4cm (36in) x 30.5m (100ft)
Q1416A	Heavyweight Coated Paper - 152.4cm (60in) x 30.5m (100ft)

**Paper and Other Media****Paper (Coated)**

C6019B	Coated paper (98 gsm) - 61cm (24in) x 45.7m (150ft) roll (USA, Canada, and Latin America)
C6021B	Heavyweight coated paper - 61cm (24in) x 30.5m (100ft) roll (USA, Canada, and Latin America) NO LONGER SUPPLIED
C6027A	Coated paper (98 gsm) - 61cm (24in) x 45.7m (150ft) roll (Europe, Asia/Pacific, and Japan) NO LONGER SUPPLIED
C6029B	Heavyweight coated paper - 61cm (24in) x 30.5m (100ft) roll (Europe, Asia/Pacific, and Japan) NO LONGER SUPPLIED
C6029C	Heavyweight coated paper - 61cm (24in) x 30.5m (100ft) roll - For regular or UV resistant ink
C6020B	Coated paper (98 gsm) - 91.4cm (36in) x 45.7m (150ft) roll (USA, Canada, and Latin America)
C6022B	Heavyweight coated paper - 91.4cm (36in) x 30.5m (100ft) roll (USA, Canada, and Latin America) NO LONGER SUPPLIED
C6028A	Coated paper (98 gsm) - 91.4cm (36in) x 45.7m (150ft) roll (Europe, Asia/Pacific, and Japan) NO LONGER SUPPLIED
C6030B	Heavyweight coated paper - 91.4cm (36in) x 30.5m (100ft) roll (Europe, Asia/Pacific, and Japan) NO LONGER SUPPLIED
C6030C	Heavyweight coated paper - 91.4cm (36in) x 30.5m (100ft) roll - For regular or UV resistant ink
C6559B	Coated paper (98 gsm) - 106.7cm (42in) x 45.7m (150ft) roll (USA, Canada, and Latin America)
C6561B	Heavyweight coated paper - 106.7cm (42in) x 30.5m (100ft) roll (USA, Canada, and Latin America) NO LONGER SUPPLIED
C6567B	Coated paper (98 gsm) - 106.7cm (42in) x 45.7m (150ft) roll (Europe, Asia/Pacific, and Japan)
C6569B	Heavyweight coated paper - 106.7cm (42in) x 30.5m (100ft) roll (Europe, Asia/Pacific, and Japan) NO LONGER SUPPLIED
C6569C	Heavyweight coated paper - 106.7cm (42in) x 30.5m (100ft) roll - For regular or UV resistant ink
C6560B	Coated paper (98 gsm) - 137.2cm (54in) x 45.7m (150ft) roll (USA, Canada, and Latin America)
C6562B	Heavyweight coated paper - 137.2cm (54in) x 30.5m (100ft) roll (USA, Canada, and Latin America) NO LONGER SUPPLIED
C6568B	Coated paper (98 gsm) - 137.2cm (54in) x 45.7m (150ft) roll (Europe, Asia/Pacific, and Japan)
C6570B	Heavyweight coated paper - 137.2cm (54in) x 30.5m (100ft) roll (Europe, Asia/Pacific, and Japan) NO LONGER SUPPLIED
C6570C	Heavyweight coated paper - 137.2cm (54in) x 30.5m (100ft) roll - For regular or UV resistant ink

**Paper (Fabric)**

Q1435A	Flame Retardant Cloth print media - 91.4cm (36in) x 20.0m (65.6ft)
Q1437A	Flame Retardant Cloth print media - 137.2cm (54in) x 20.0m (65.6ft)
Q1742A	Matte Cotton Fabric print media (190 gsm) - 91.4cm (36in) x 10.1m (33ft) (USA)
Q1918A	Viscose Paper-Back Fabric print media - 91.4cm (36in) x 10.1m (33ft)
Q1919A	Viscose Paper-Back Fabric print media - 106.7cm (42in) x 10.1m (33ft)
Q1920A	Viscose Paper-Back Fabric print media - 137.2cm (54in) x 10.1m (33ft)

**Paper (Glossy)**

C8315A	High Gloss Photo Paper - 61cm (24in) x 30.5m (100ft) (USA and Asia/Pacific)
C8316A	High Gloss Photo Paper - 91.4cm (36in) x 30.5m (100ft) (USA and Asia/Pacific)
Q1426A	Universal High-Gloss Photo Paper - 61cm (24in) x 30.5m (100ft)
Q1427A	Universal High-Gloss Photo Paper - 91.4cm (36in) x 30.5m (100ft)
Q1428A	Universal High-Gloss Photo Paper - 106.7cm (42in) x 30.5m (100ft)
Q1429A	Universal High-Gloss Photo Paper - 137.2cm (54in) x 30.5m (100ft)
Q1430A	Universal High-Gloss Photo Paper - 152.4cm (60in) x 30.5m (100ft)
C6025A	High gloss photo paper - 61cm (24in) x 30.5m (100ft) roll (USA, Canada, and Latin America)
C6033A	High gloss photo paper - 61cm (24in) x 30.5m (100ft) roll (Europe, Asia/Pacific, and Japan)



## Paper and Other Media

### Paper (Glossy)

C6026A	High gloss photo paper - 91.4cm (36in) x 30.5m (100ft) roll (USA, Canada, and Latin America)
C6034A	High gloss photo paper - 91.4cm (36in) x 30.5m (100ft) roll (Europe, Asia/Pacific, and Japan)
C6565A	High gloss photo paper - 106.7cm (42in) x 30.5m (100ft) roll (USA, Canada, and Latin America)
C6573A	High gloss photo paper - 106.7cm (42in) x 30.5m (100ft) roll (Europe, Asia/Pacific, and Japan)
C6566A	High gloss photo paper - 137.2cm (54in) x 30.5m (100ft) roll (USA, Canada, and Latin America)
C6574A	High gloss photo paper - 137.2cm (54in) x 30.5m (100ft) roll (Europe, Asia/Pacific, and Japan)

### Paper (Matte)

C7947A	Photo Paper RC Matte - 137.2cm (54in) x 30.5m (100ft) (USA)
--------	---

### Paper (Photo)

C7946A	Photo Paper RC Matte - 91.4cm (36in) x 30.5m (100ft) (USA)
C8310A	Basic Photo Satin paper - 61cm (24in) x 30.5m (100ft) (USA and Asia/Pacific)
C8311A	Basic Photo Satin paper - 91.4cm (36in) x 30.5m (100ft) (USA and Asia/Pacific)
C8312A	Basic Photo Satin paper - 106.7cm (42in) x 30.5m (100ft) (USA)
C8313A	Basic Photo Satin paper - 137.2cm (54in) x 30.5m (100ft) (USA)
C8317A	High Gloss Photo Paper - 106.7cm (42in) x 30.5m (100ft) (US and Asia/Pacific)
C8318A	High Gloss Photo Paper - 137.2cm (54in) x 30.5m (100ft) (USA and Asia/Pacific)
Q1420A	Semi-Gloss Photo Paper - 61cm (24in) x 30.5m (100ft)
Q1421A	Semi-Gloss Photo Paper - 91.4cm (36in) x 30.5m (100ft)
Q1422A	Semi-Gloss Photo Paper - 106.7cm (42in) x 30.5m (100ft)
Q1424A	Semi-Gloss Photo Paper - 152.4cm (60in) x 30.5m (100ft)

### Paper (Poster)

C7949A	Outdoor Billboard Paper - Blue back - 91.4cm (36in) x 30.5m (100ft) (USA)
--------	---

### Paper (Satin)

C7952A	Proofing Paper RC Satin - 91.4cm (36in) x 30.5m (100ft) (USA)
C7953A	Proofing Paper RC Satin paper - 137.2cm (54in) x 22.9m (75ft) (USA)

### Paper (Semi-Glossy)

Q1423A	Semi-Gloss Photo Paper - 137.2cm (54in) x 30.5m (100ft)
C6023A	Semi-gloss photo paper - 61cm (24in) x 30.5m (100ft) roll (USA, Canada, and Latin America)
C6031A	Semi-gloss photo paper - 61cm (24in) x 30.5m (100ft) roll (Europe, Asia/Pacific, and Japan)
C6782A	Paper based semi-gloss media - 61cm (24in) x 30.5m (100ft) roll NO LONGER SUPPLIED
C6024A	Semi-gloss photo paper - 91.4cm (36in) x 30.5m (100ft) roll (USA, Canada, and Latin America)
C6032A	Semi-gloss photo paper - 91.4cm (36in) x 30.5m (100ft) roll (Europe, Asia/Pacific, and Japan)
C6783A	Paper based semi-gloss media - 91.4cm (36in) x 30.5m (100ft) roll NO LONGER SUPPLIED
C6563A	Semi-gloss photo paper - 106.7cm (42in) x 30.5m (100ft) roll (USA, Canada, and Latin America)
C6571A	Semi-gloss photo paper - 106.7cm (42in) x 30.5m (100ft) roll (Europe, Asia/Pacific, and Japan)
C6564A	Semi-gloss photo paper - 137.2cm (54in) x 30.5m (100ft) roll (USA, Canada, and Latin America)
C6572A	Semi-gloss photo paper - 137.2cm (54in) x 30.5m (100ft) roll (Europe, Asia/Pacific, and Japan)
C6785A	Paper based semi-gloss media - 137.2cm (54in) x 30.5m (100ft) roll NO LONGER SUPPLIED

### Vinyl (Adhesive)

C6775A	Colorfast adhesive vinyl (328 gsm) - 91.4cm (36in) x 12.2m (40ft) roll - For regular ink or UV-resistant ink
C6777A	Colorfast adhesive vinyl (328 gsm) - 137.2cm (54in) x 12.2m (40ft) roll - For regular ink or UV-resistant ink



**Roll Feed Parts**

**Brake/Housing**

337 C4704-60199 Brake/housing assembly (on right side) - Accepts the flange end of the spindle rod assembly - Includes the 2 housing pieces, 2 brake shoes, brake gear, brake lever, and springs

**Cover**

338 C4723-60245 Rollfeed access cover - Opens forward to allow access to paper spindle assembly

**End Cap**

339 C2858-40043 Spindle end cap (small) (or core spacer) - Removes for loading the media roll

**Housing**

340 C4704-60082 Housing assembly (on left side)

**Spacer**

C4723-60147 Spacer/media guide for the supply spindle

**Spindle**

342 C4723-60241 Rollfeed spindle rod assembly - Includes flange and core spindle spacer

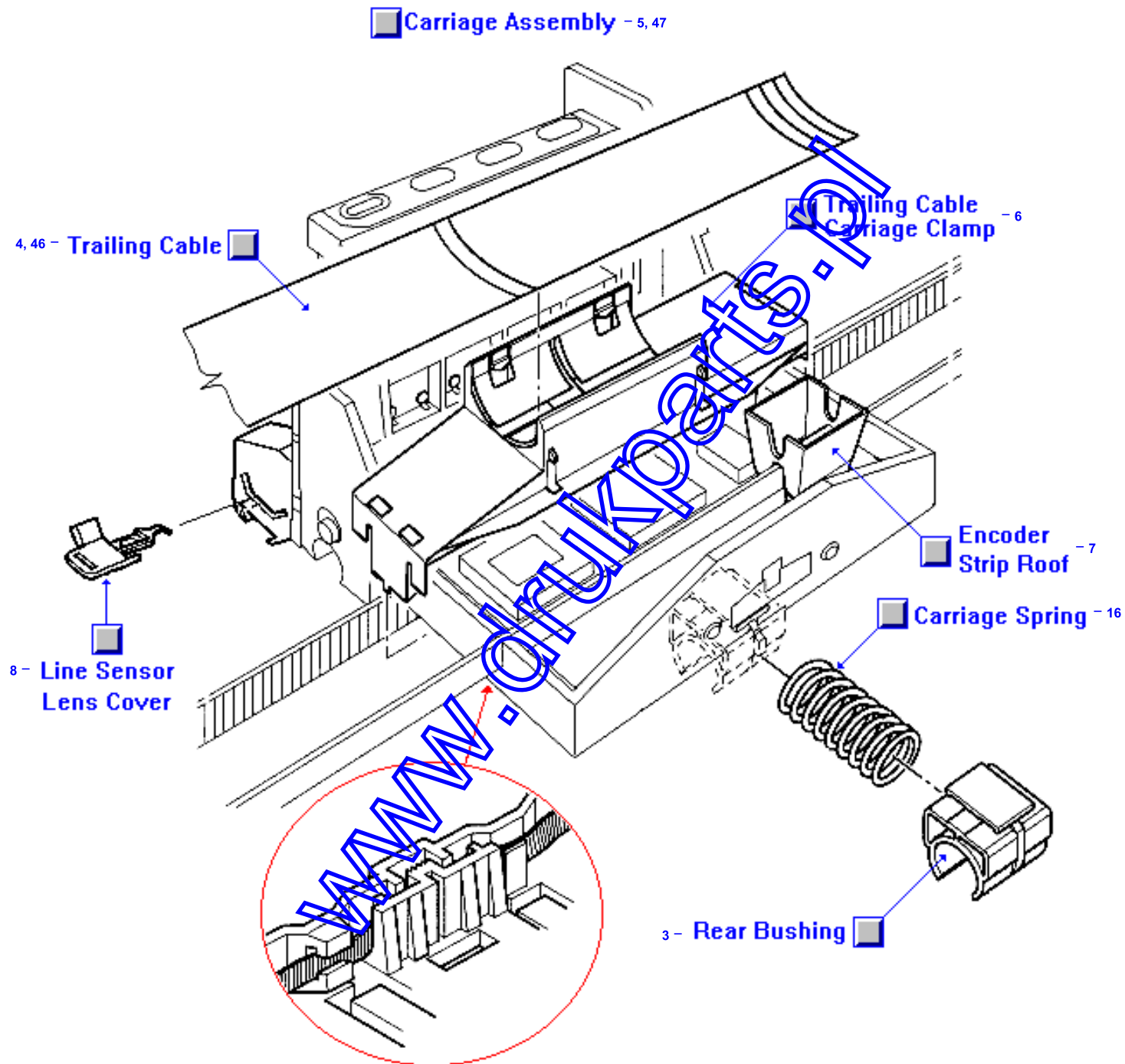
C6248A Rollfeed spindle rod assembly for DesignJet 3000/3500CP - Includes flange and core spindle spacer

**Spring**

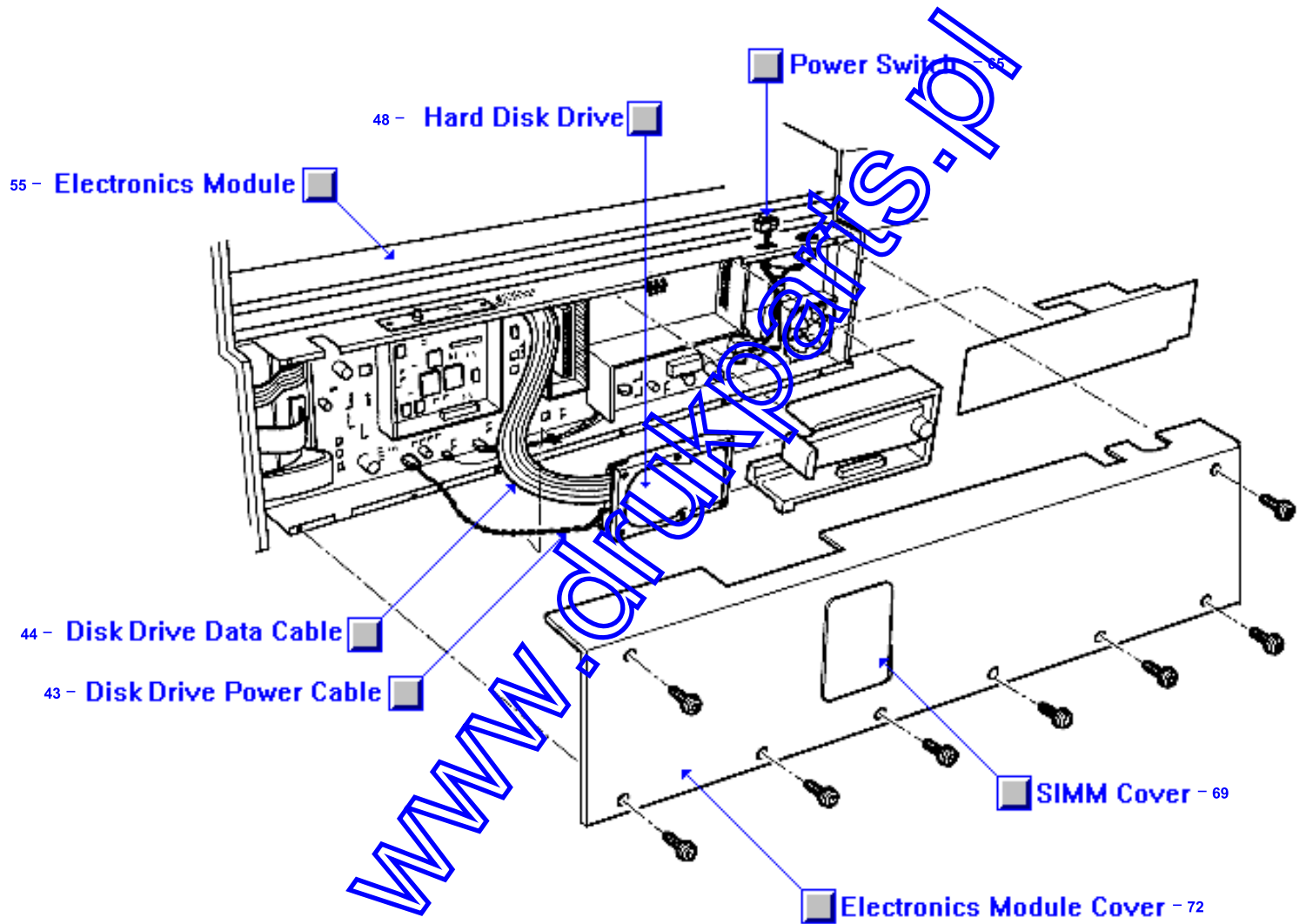
344 C4723-80021 Extension spring - Holds the rollfeed access cover closed

www.drukparts.nl

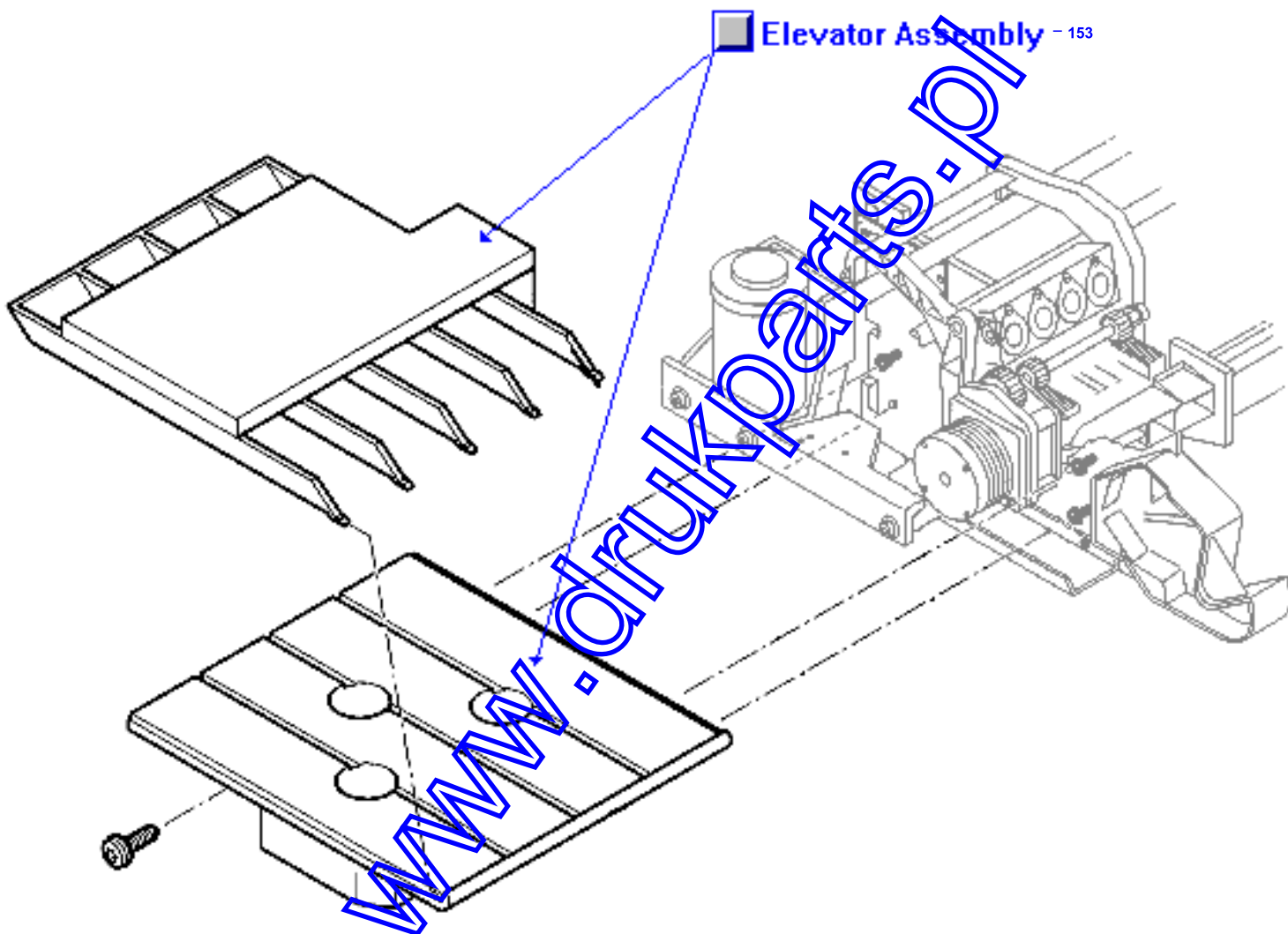
Carriage Assembly



Electronics Module

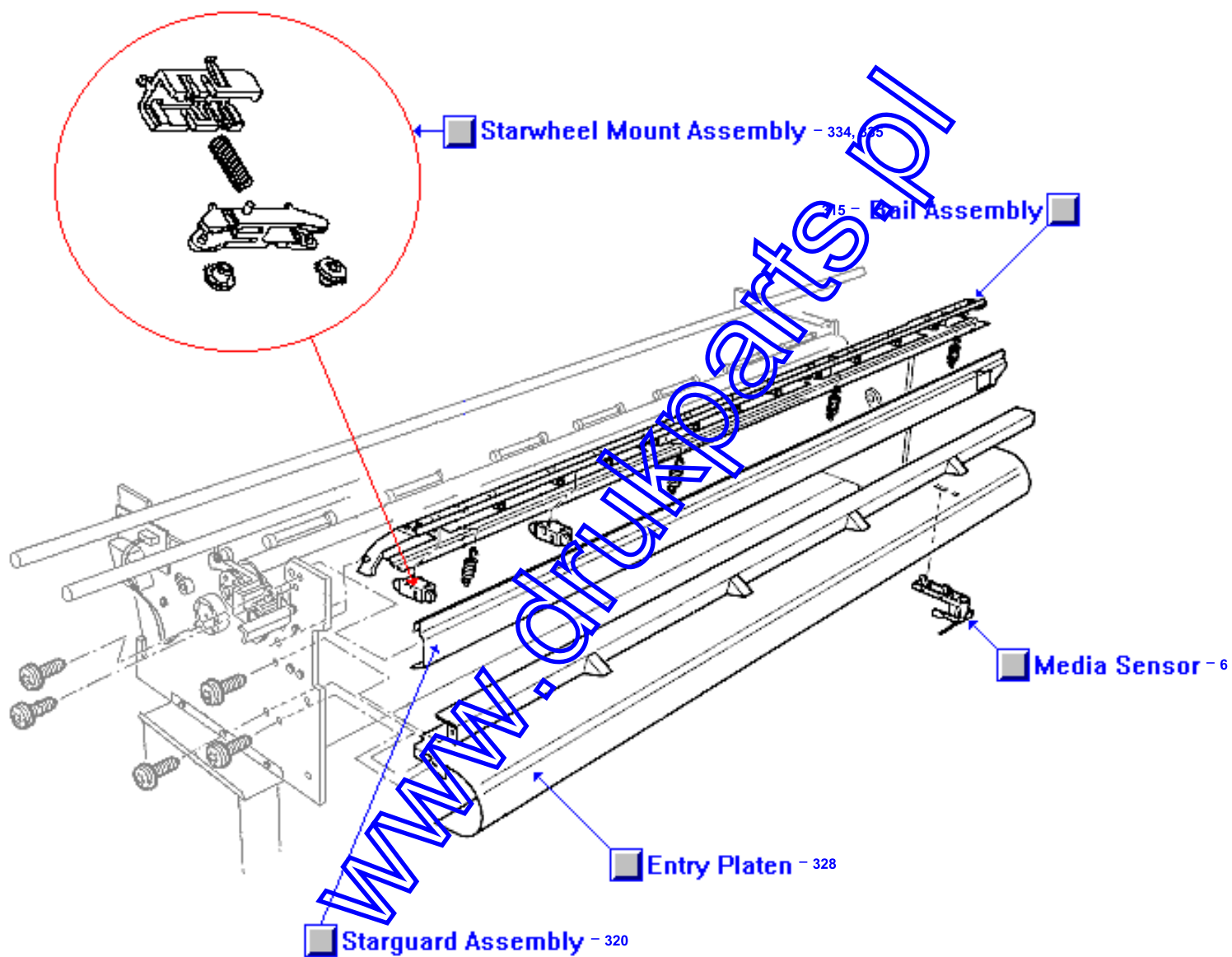


Elevator Assembly

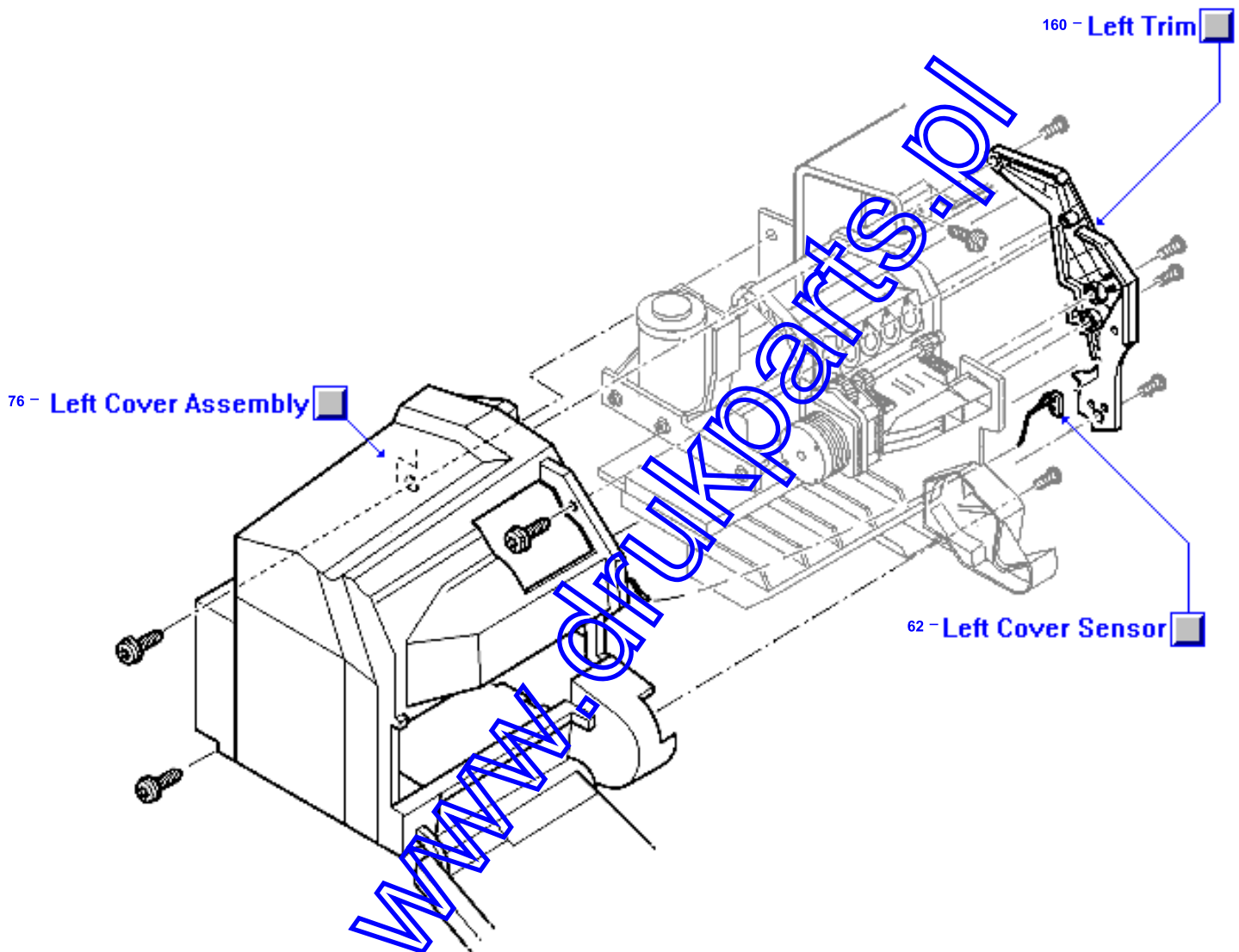




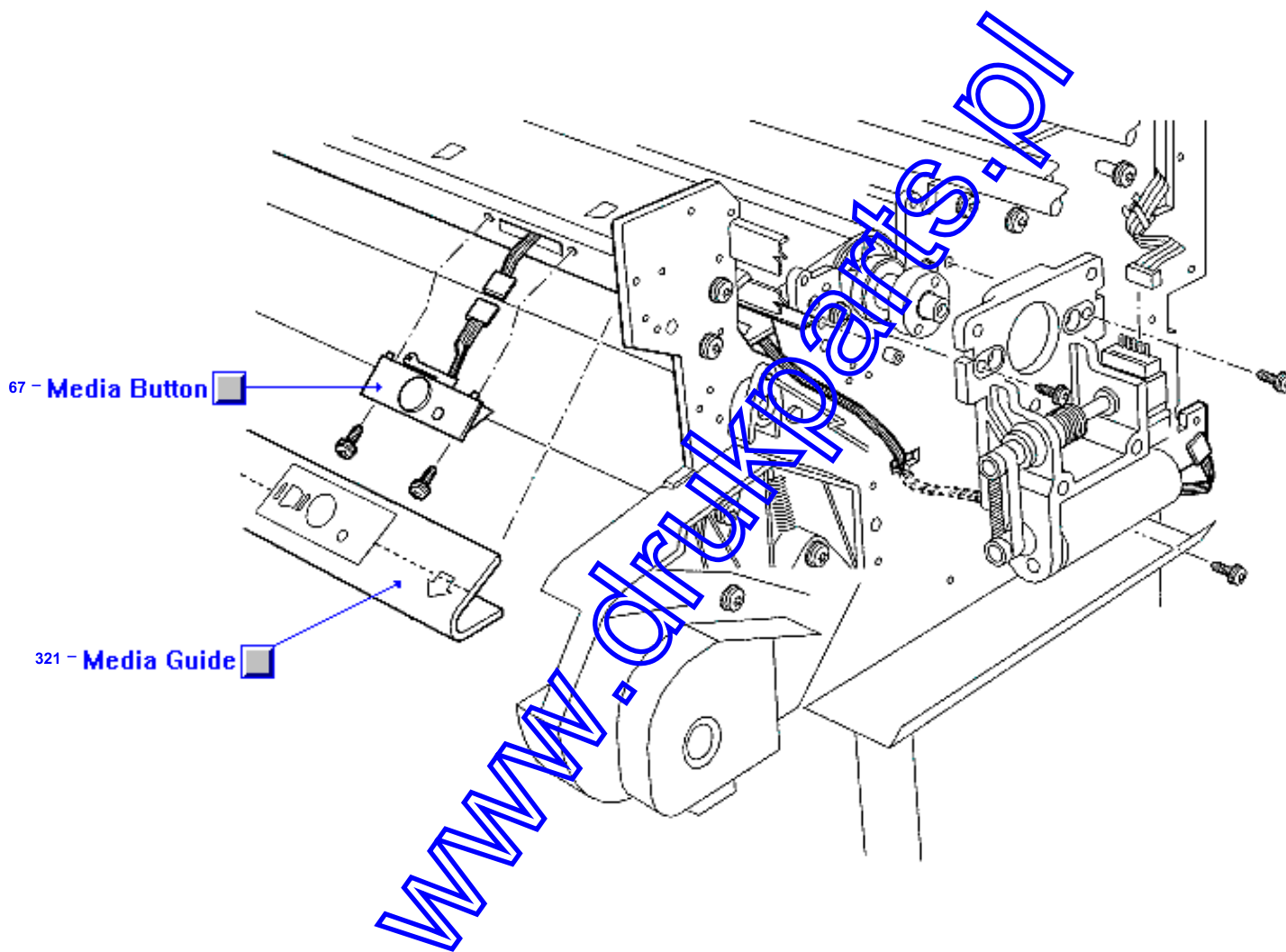
Entry Platen Area



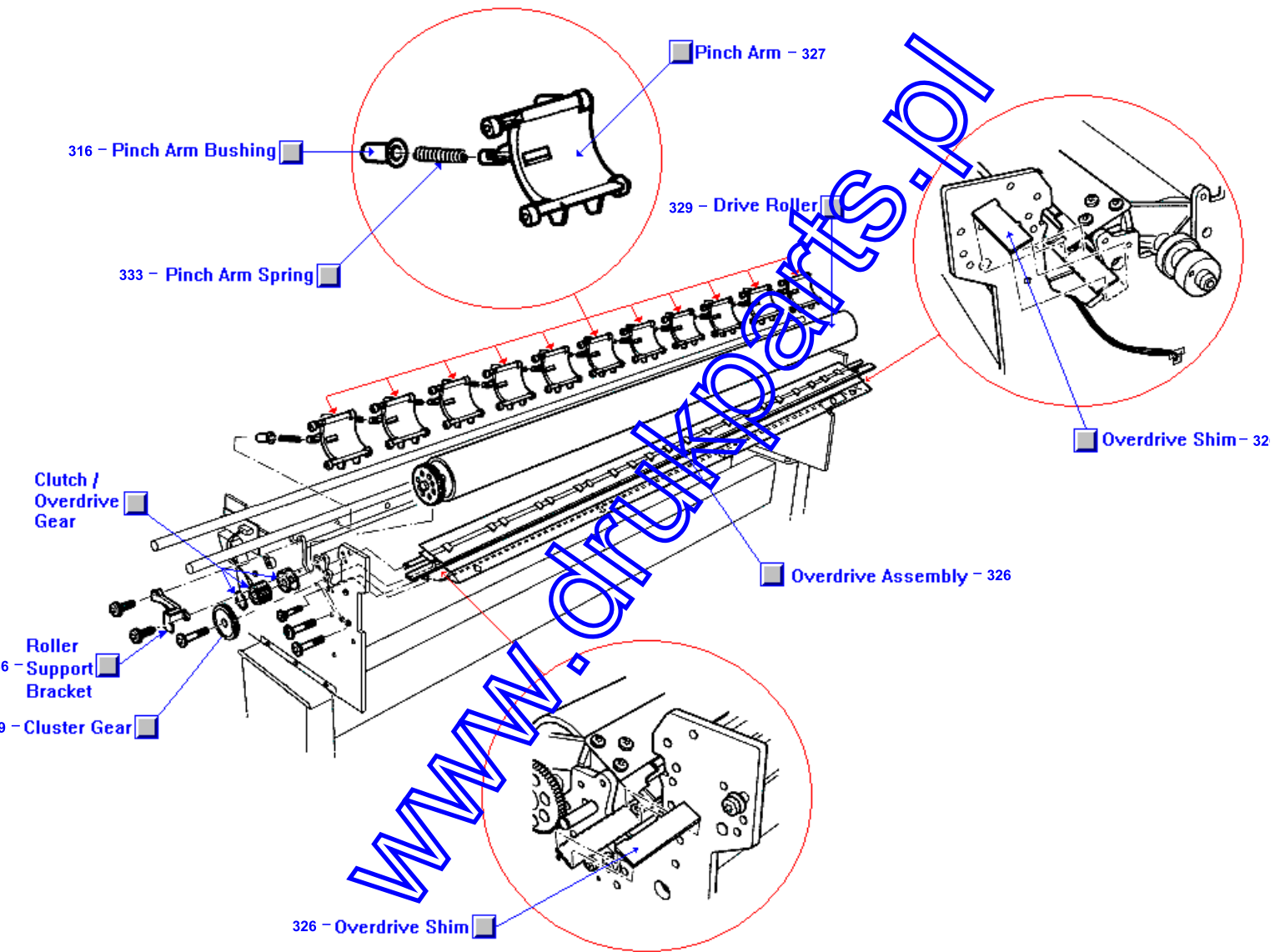
Left Hand Cover Area



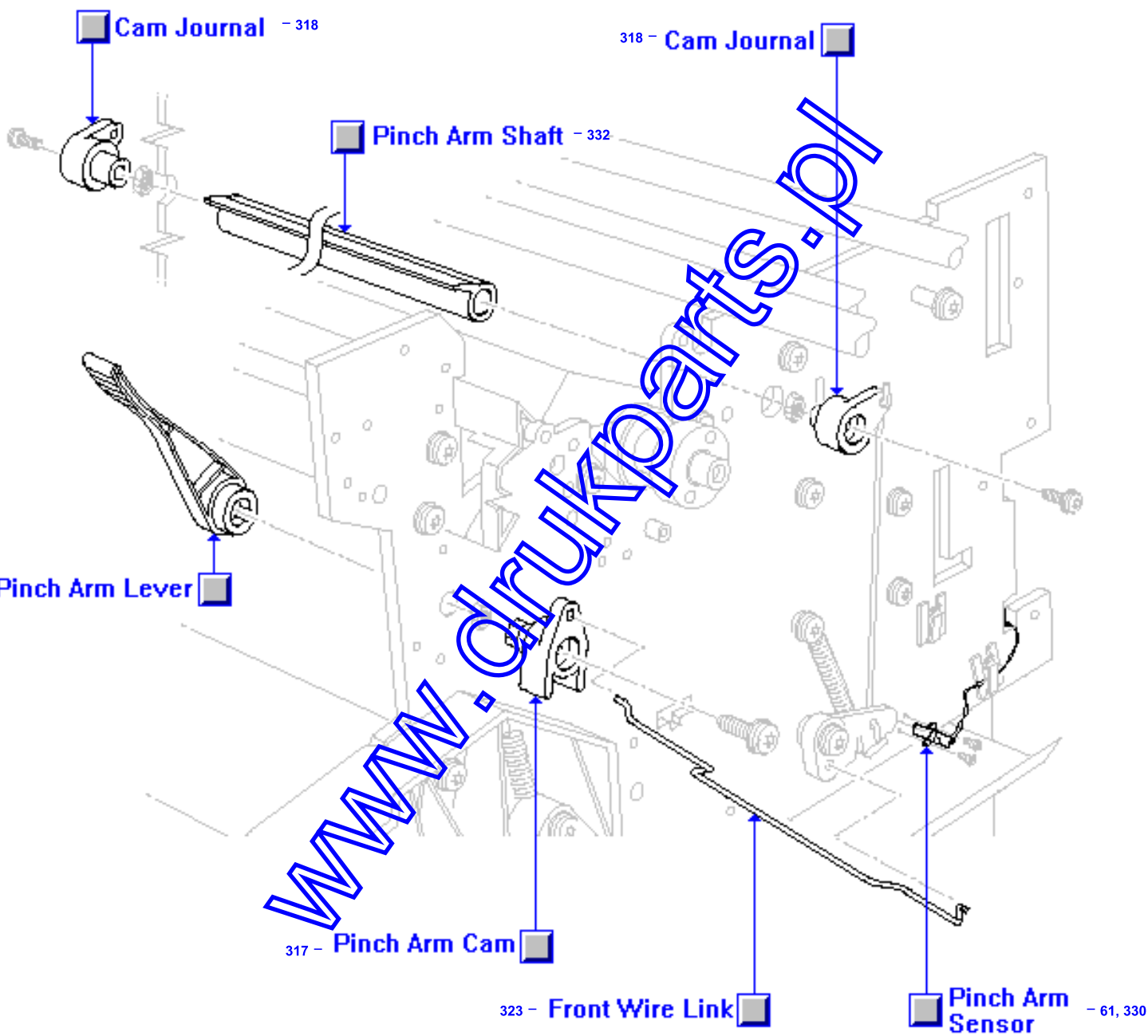
Media Button and Media Guide



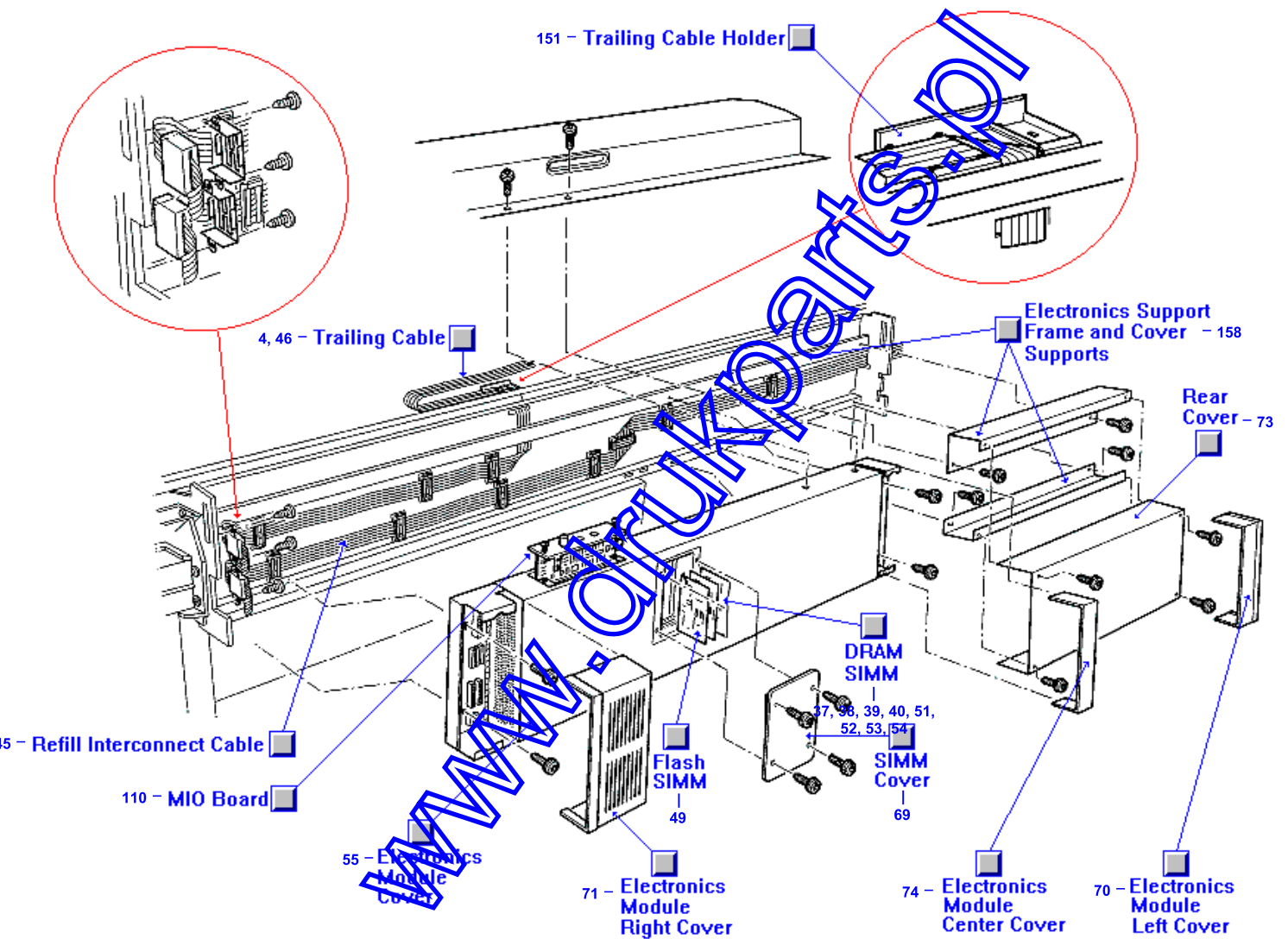
Paper Drive Roller Area



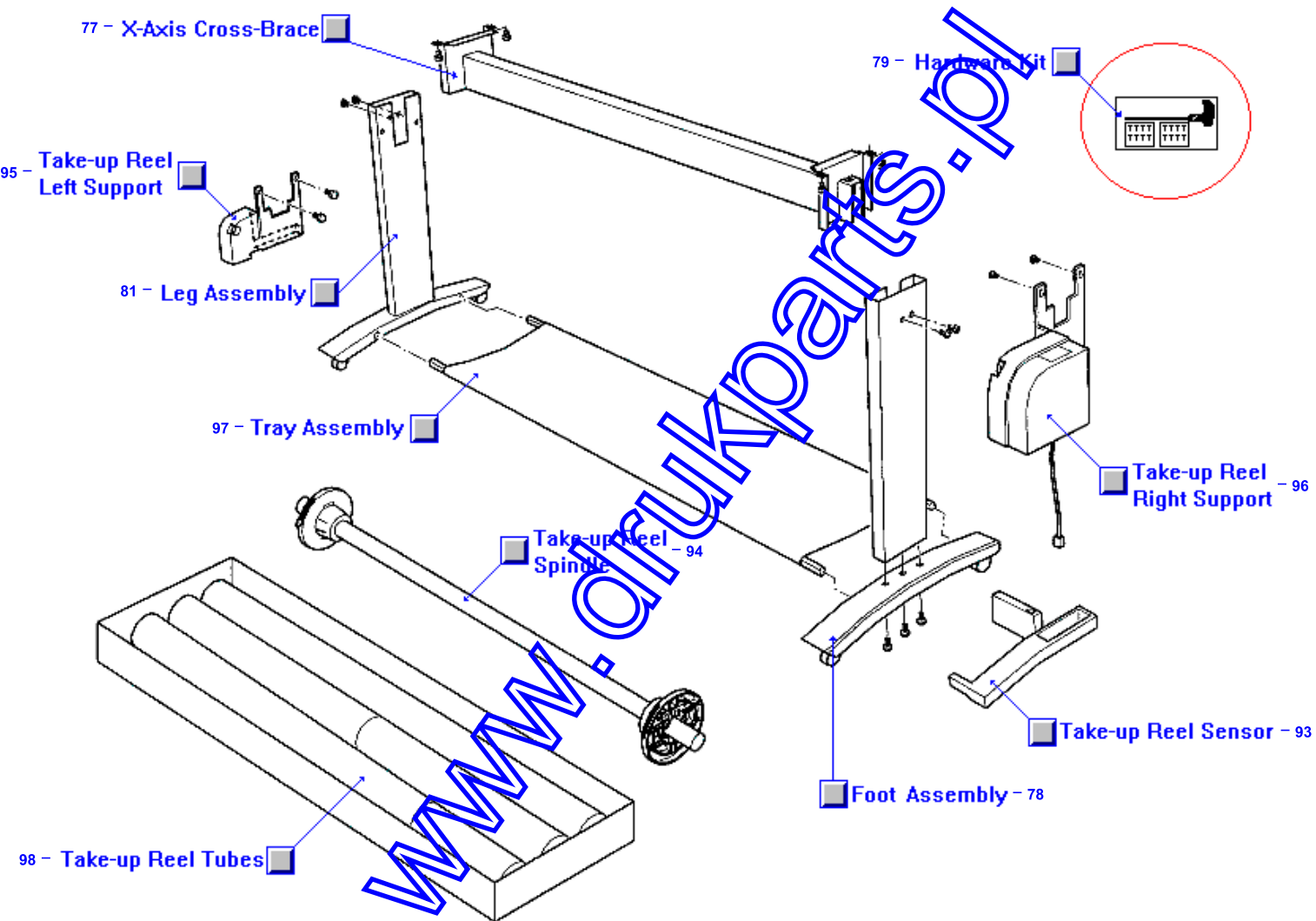
Pinch Arm Assembly



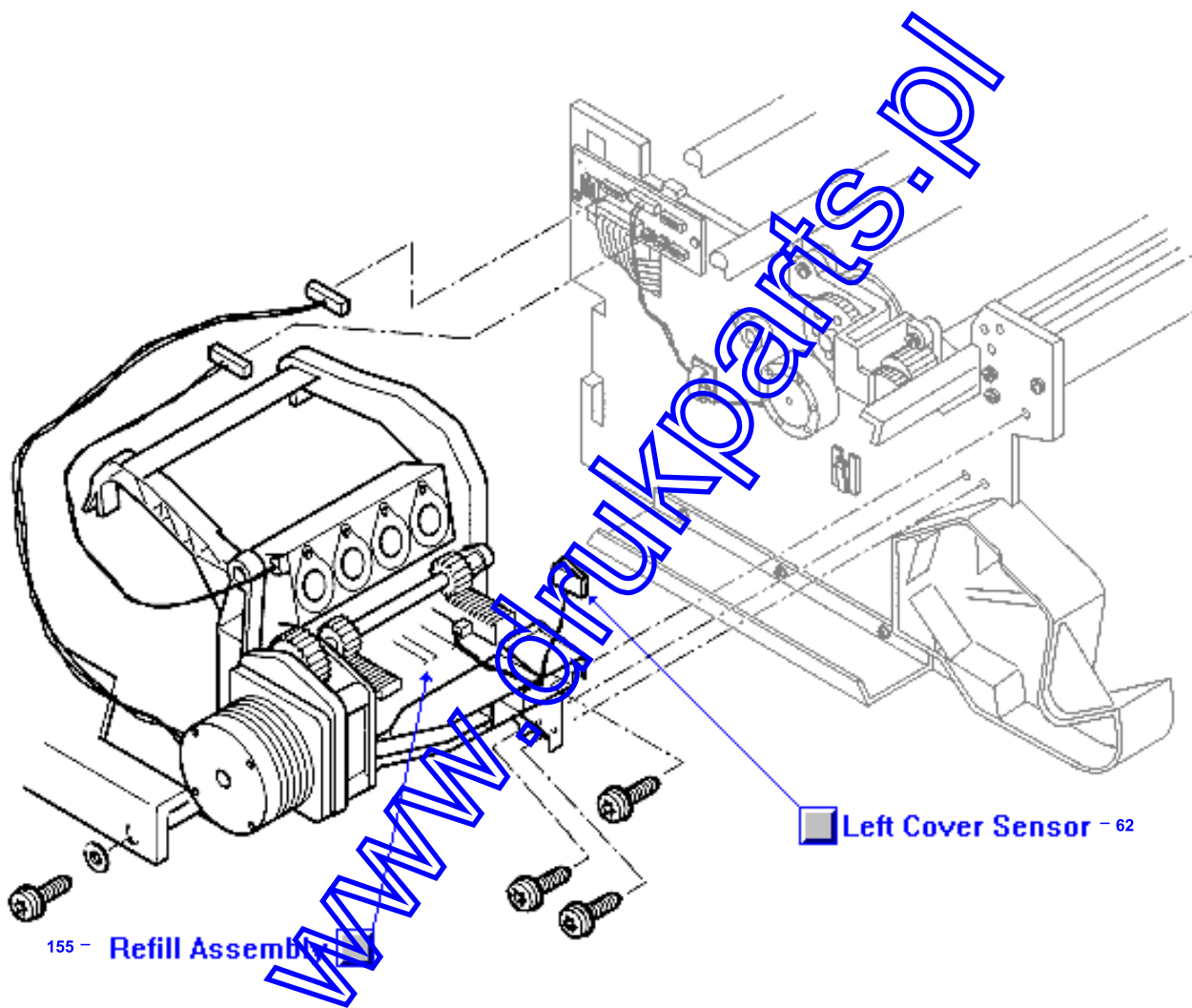
Printer Rear



Printer Support

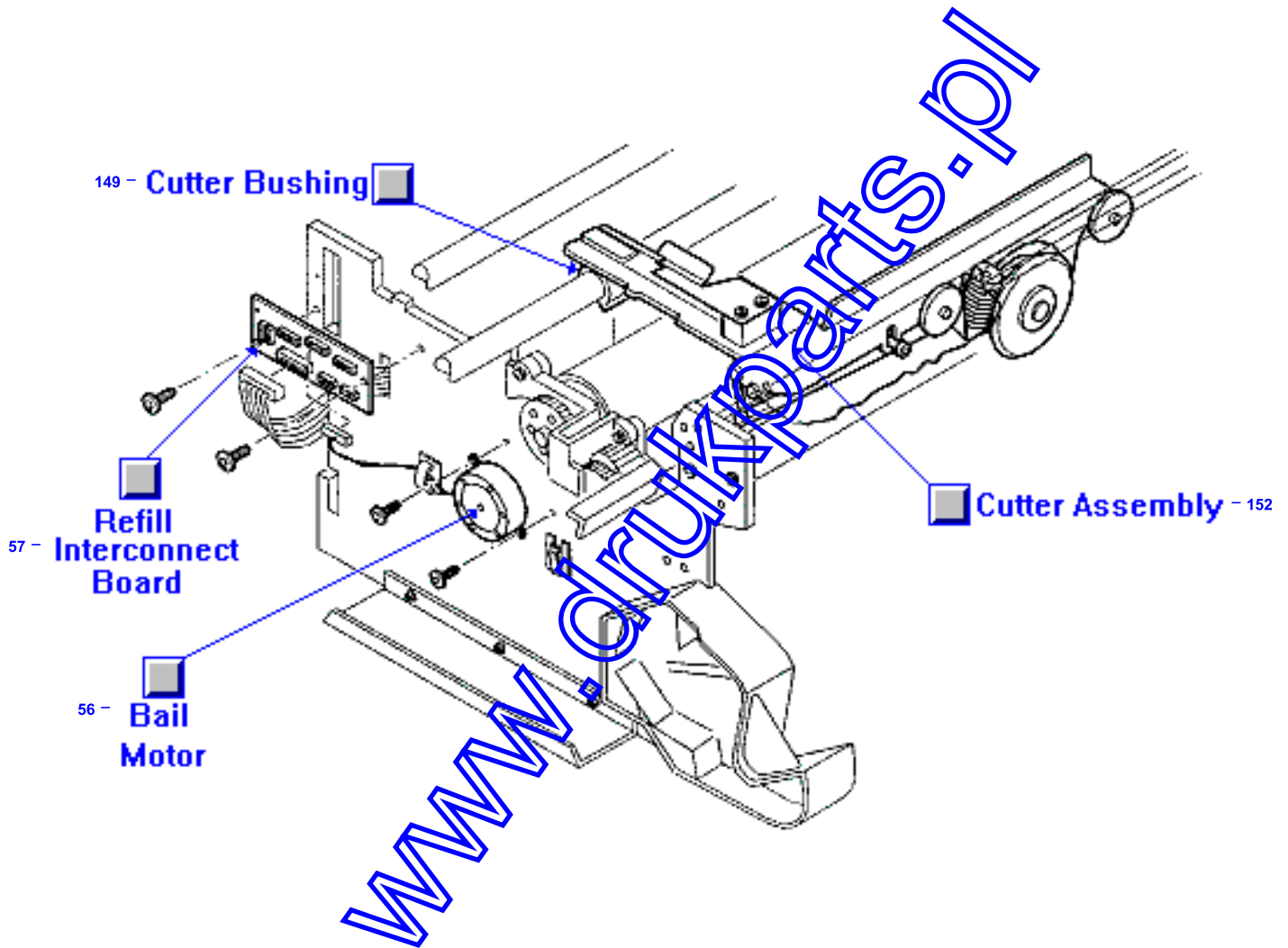


Refill Assembly

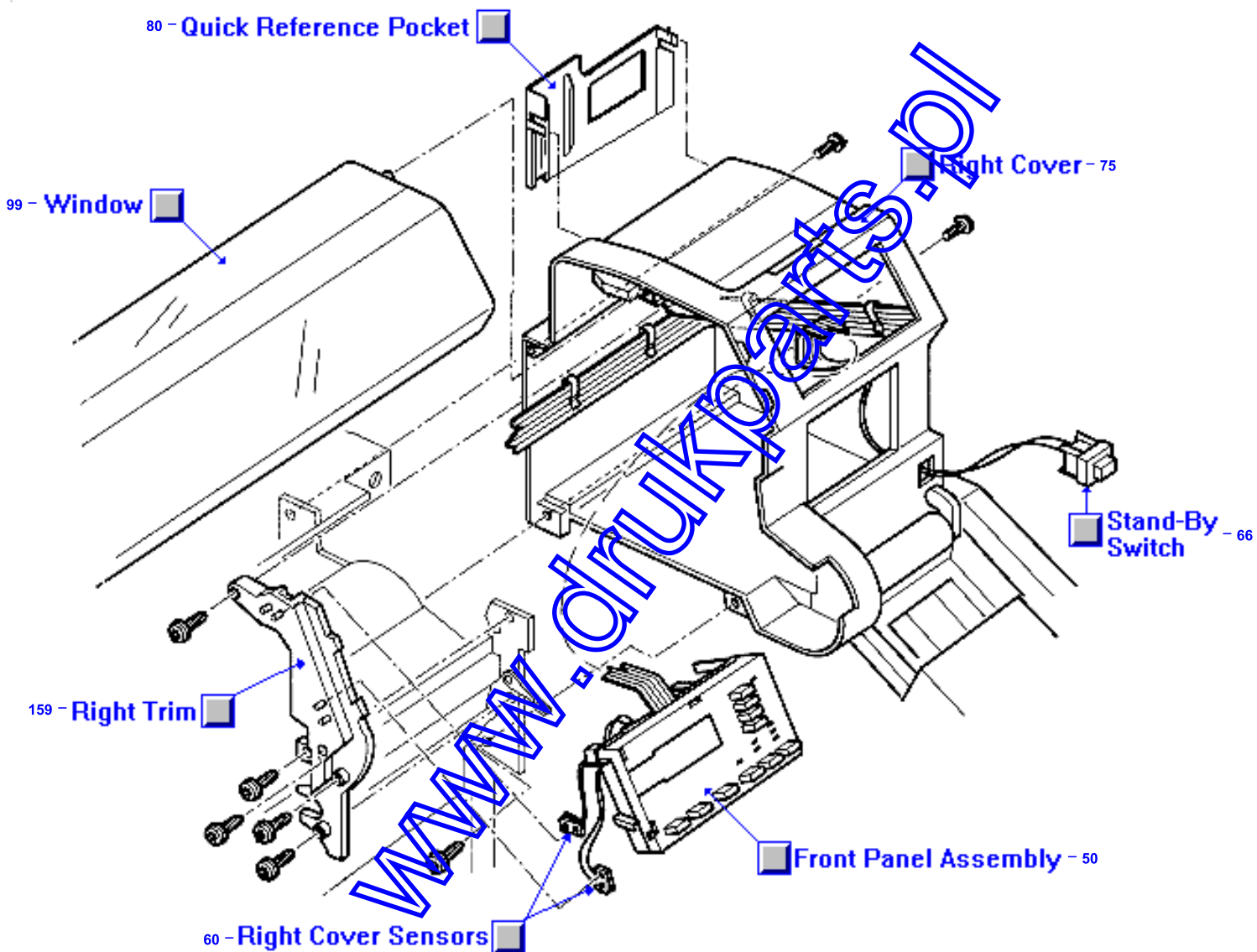




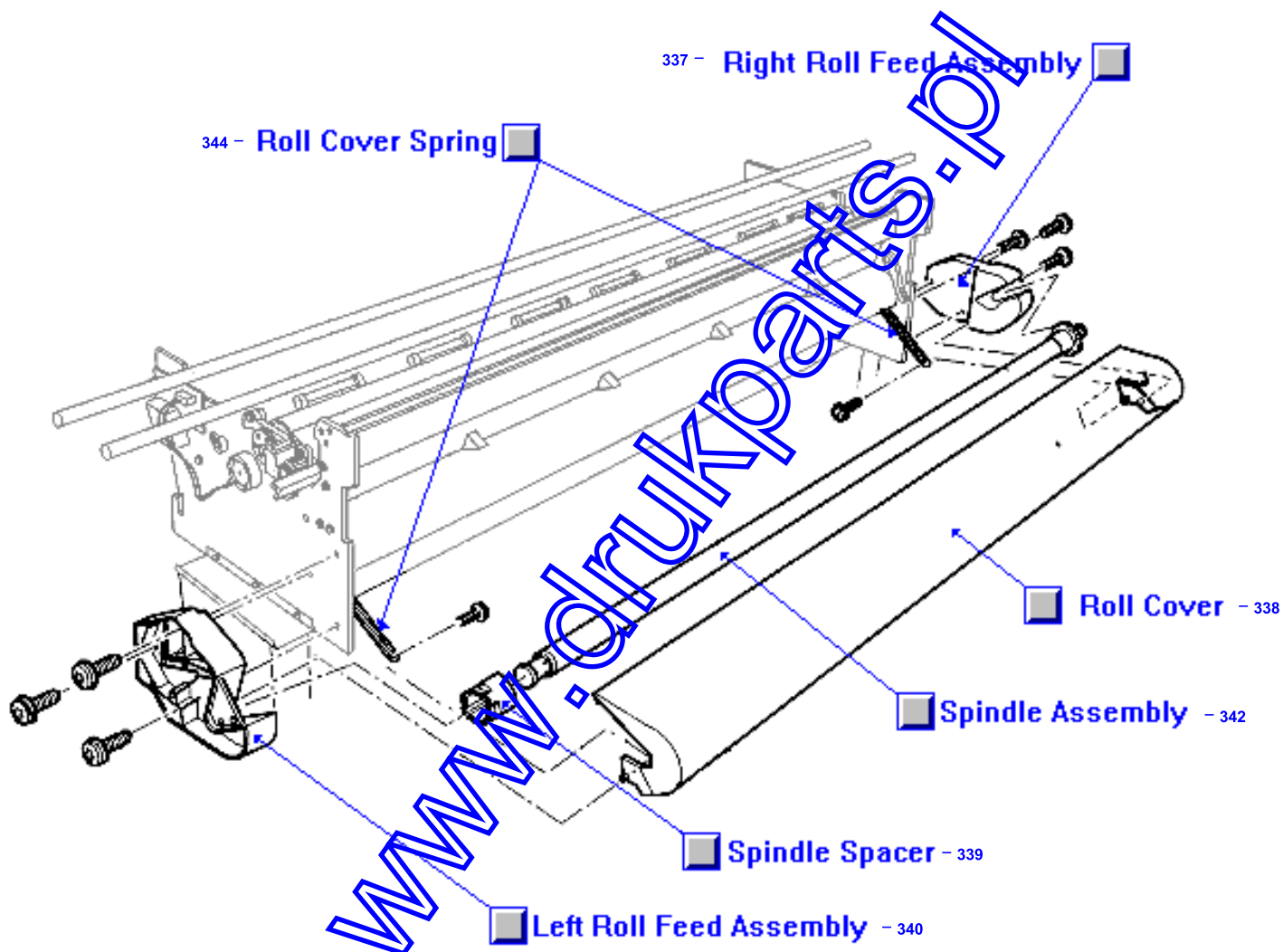
Refill Interconnect Board, Bail Motor and Cutter Assembly



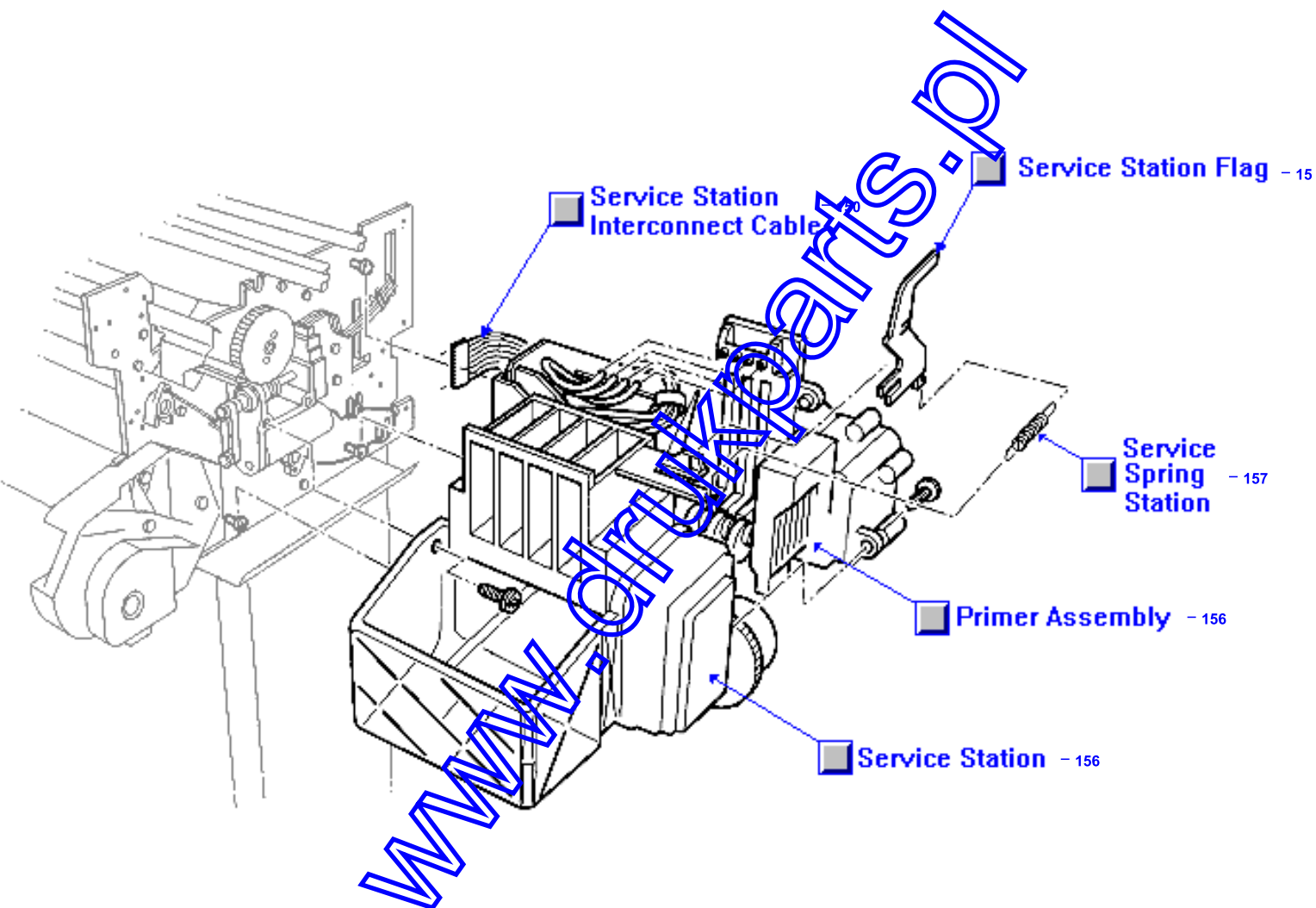
Right Hand Cover Area



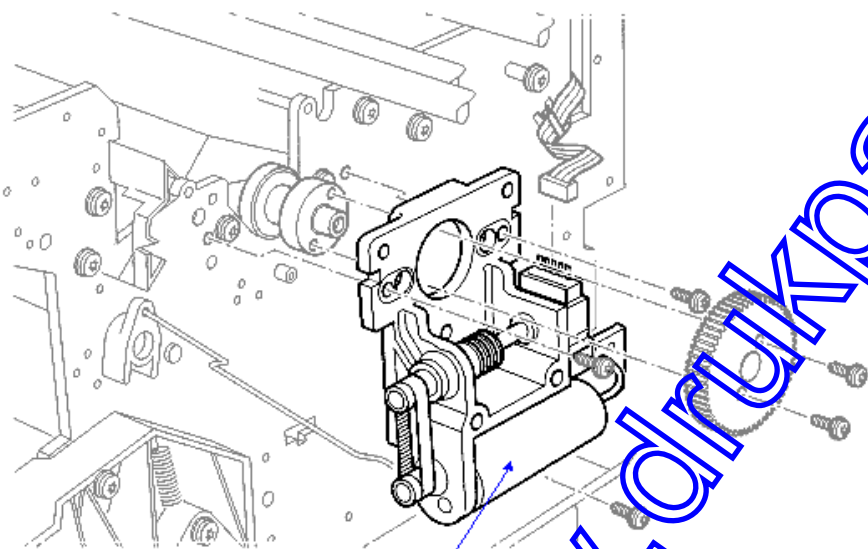
Roll Cover Area



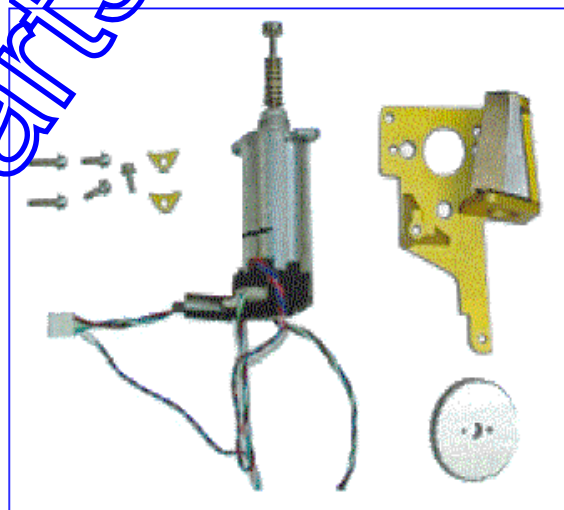
Service Station Assembly



X-Axis Motor Assembly



324, 325 - X-Axis Motor Assembly  
[Old Style]



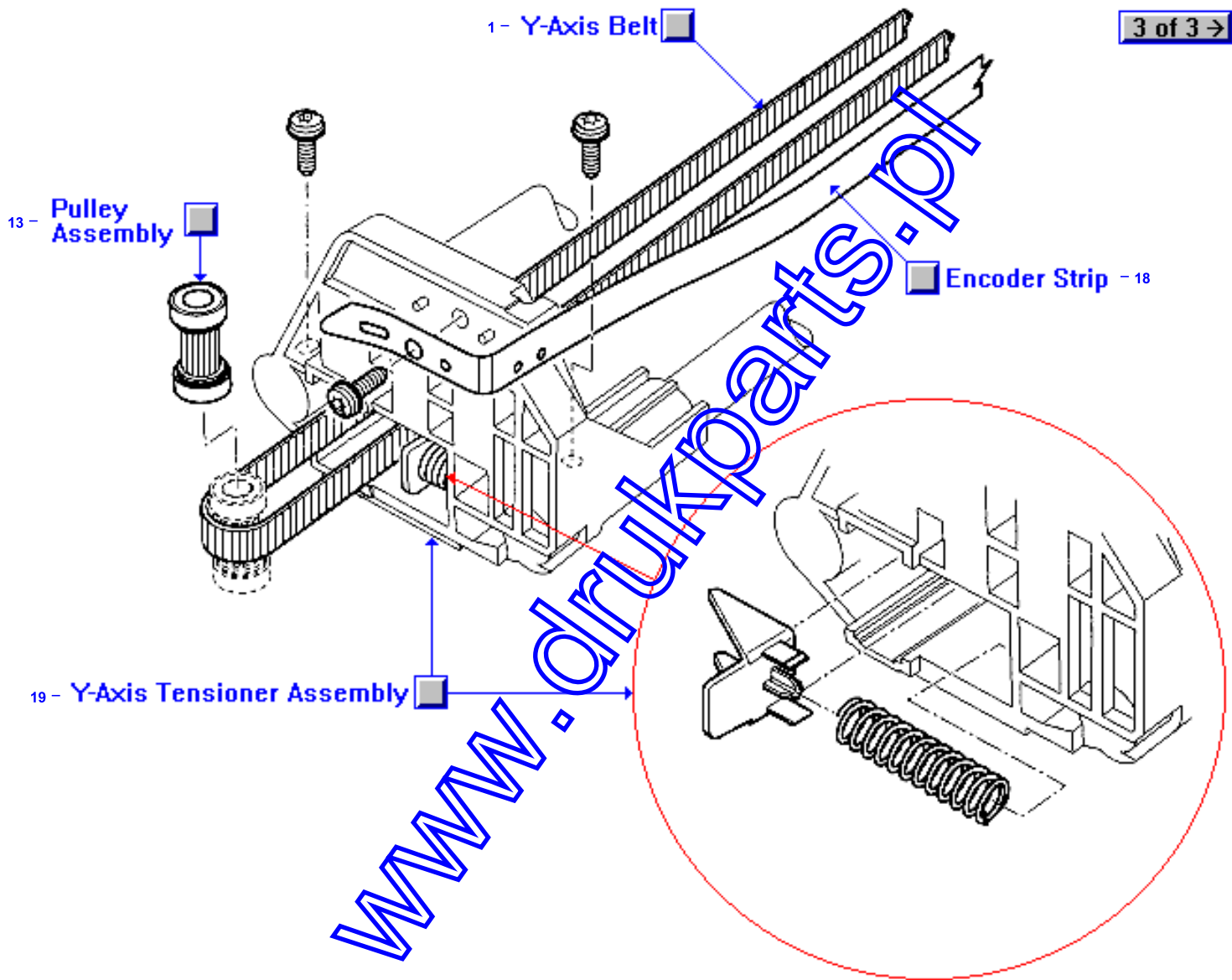
324, 325 - X-Axis Motor Replacement Kit  
[New Style]

www.drukparts.pl

Y-Axis Assembly (1 of 3) Belt, Tensioner, Pulley and Encoder

2 of 3 →

3 of 3 →

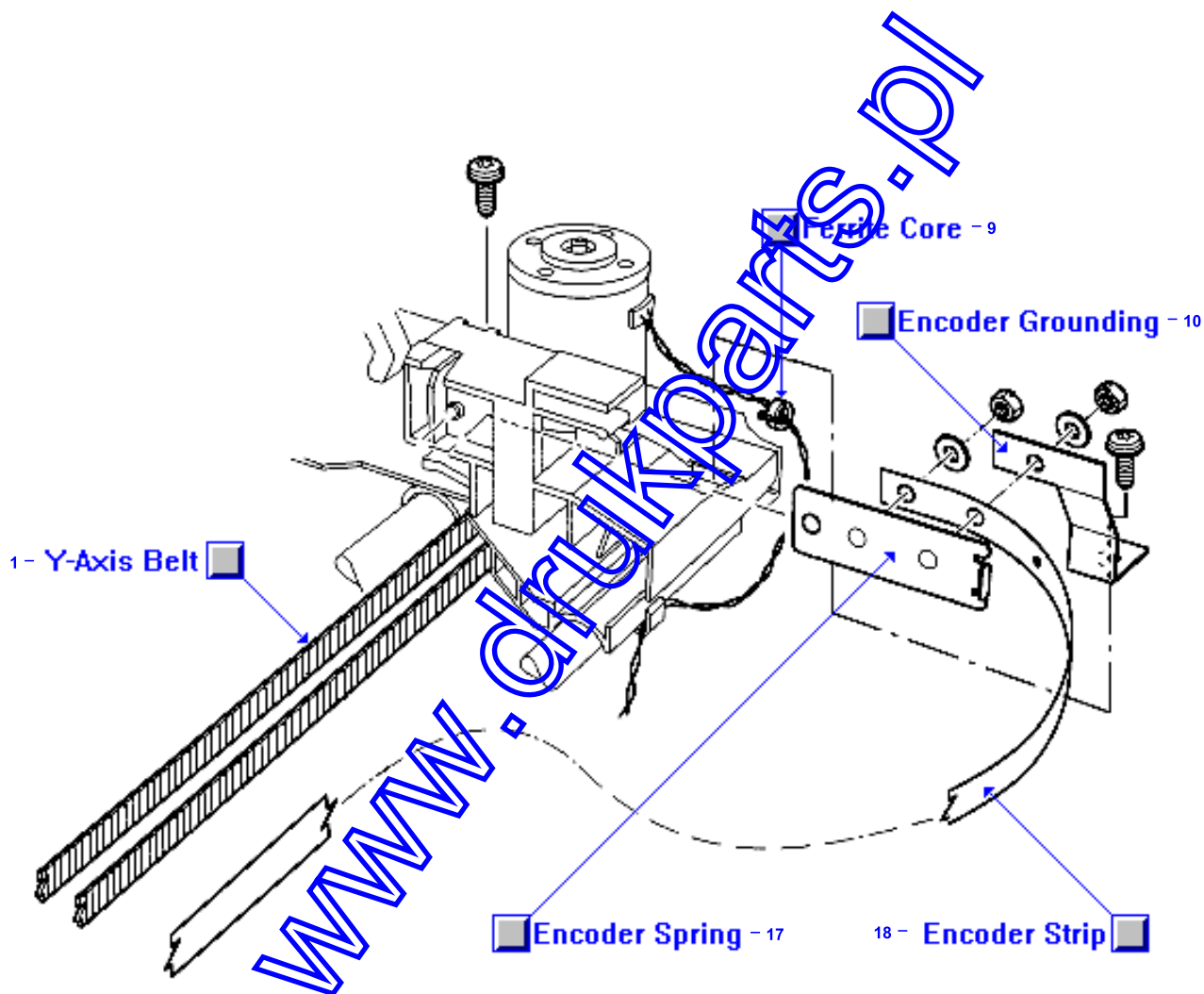


REAR VIEW

Y-Axis Assembly (2 of 3) Belt, Encoder Strip, Hardware

← 1 of 3

3 of 3 →

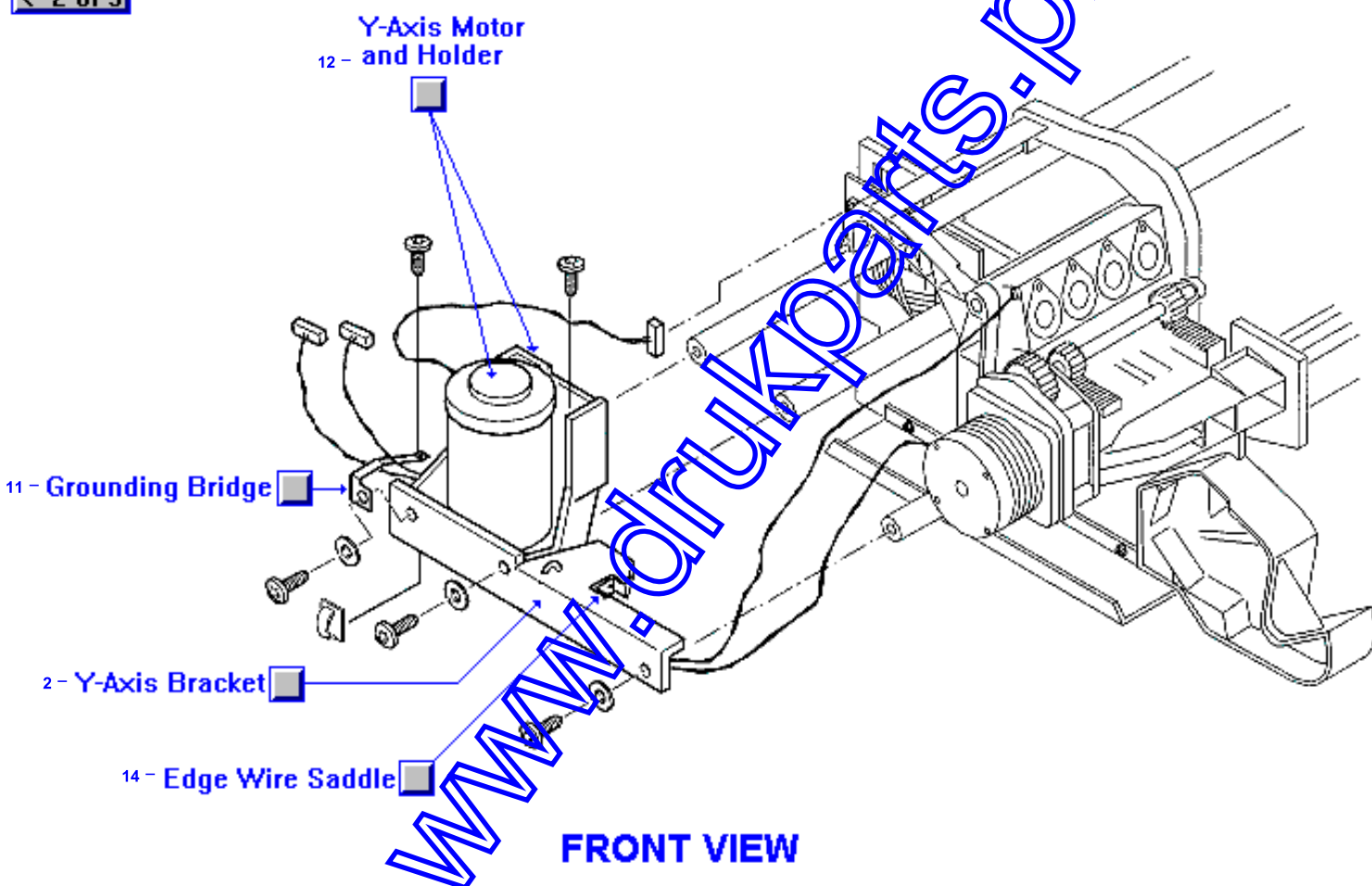


REAR VIEW

Y-Axis Assembly (3 of 3) Motor and Hardware

← 1 of 3

← 2 of 3







**HP Parts Reference Guide**

<http://www.hp.com/go/parts>

**HP PartSurfer**

<http://partsurfer.hp.com>

**HP Parts Ordering Information**

<http://www.hp.com/go/hpparts>

**HP Parts Questions/Comments**

<http://partsurfer.hp.com/contactus.htm>

[www.drukparts.pl](http://www.drukparts.pl)