



## Carriage Drive Parts

### Belt

1 C4704-60207 Carriage (Y-axis) belt - Drives the carriage assembly

### Bracket

2 C4704-00005 Y-axis motor bracket - Includes edge wire saddle - Holds Y-Axis Motor

### Bushing

3 C4704-40084 Rear slider rod bushing (Spring loaded)

### Cable

4 C4704-60015 Carriage board trailing cable with ferrite - Three ribbon cables bundled together - 1.9m (6.3ft) long

### Carriage Kit

5 C4723-69096 Carriage assembly - Includes carriage assembly, line sensor, encoder, rear bushing, calibration pen, digitizing sight, gauges - Trailing cable and cable clamp not included  
REQUIRES RETURN OF DEFECTIVE PART

C4723-60096 *New Part for C4723-69096*

### Clamp

6 C4704-40085 Trailing cable clamp - Secures the trailing cable to the carriage assembly

### Cover

7 C4704-40080 Encoder strip roof

8 C4704-60117 Line sensor lens cover

### Ferrite Assembly

9 9170-1687 Ferrite core - Installed on Y-AXIS motor cable

### Ground Strap

10 C4704-00016 Encoder ground strap - Provides ground to end of encoder strip

11 C4704-00035 Ground strap - Attached to Y-AXIS bracket

### Motor

12 C4723-60277 Carriage (Y-Axis) motor assembly - Drives carriage belt - Includes motor, motor holder, and cable

### Pulley

13 C4704-60020 Idler pulley - For carriage (Y-axis) belt - On right end of plotter

### Saddle

14 0460-2536 Edge wire saddle for Y-axis bracket

### Sensor

C4723-60096 Line sensor - Detects paper width and skew - Measures calibration accuracy and printhead alignment

### Spring

16 C1633-80014 Compression spring - For the rear bushing on the carriage

17 C4699-00016 Encoder spring

### Strip

18 C4704-60224 Encoder strip - Used to determine carriage position

### Tensioner

19 C4723-60063 Y-axis tensioner assembly - Applies tension to carriage belt - Includes wedge, tensioner spring, and housing

## Electronic Accessories

### Cable (Interface)

5063-1256 IEEE-1284 Bi-Tronics parallel cable - DB-25 (M) connector (type A) to 36 pin Centronics (M) connector (type B) - 2.0m (6.6ft) long

5063-1257 IEEE-1284 Bi-Tronics parallel cable - DB-25 (M) connector (type A) to 36 pin Centronics (M) connector (type B) - 3.0m (9.8ft) long

92215S RS-422 serial cable - 8 pin (M) to 8 pin (M) - 2.0m (6.6ft) long - For connecting Apple Macintosh with LocalTalk/serial connector



**Electronic Accessories**

**Cable (Interface)**

- C2950A IEEE-1284 Bi-Tronics parallel cable - DB-25 (M) connector (type A) to 36 pin Centronics (M) connector (type B) - 2.0m (6.6ft) long
- 5063-1256 *New Part for C2950A*
- C2951A IEEE-1284 Bi-Tronics parallel cable - DB-25 (M) connector (type A) to 36 pin Centronics (M) connector (type B) - 3.0m (9.8ft) long
- C2990A IEEE-1284 Bi-Tronics parallel cable - DB-25 (M) (type A) to 36 pin (M) Centronics (type B) - 1.8m (6ft) long  
NO LONGER SUPPLIED
- C2991A IEEE-1284 Bi-Tronics parallel cable - DB-25 (M) (type A) to 36 pin (M) Centronics (type B) - 3.0m (10ft) long  
NO LONGER SUPPLIED

**Memory (Product)**

- 27 C6229A 4MB SIMM memory module - For DesignJet CP printer  
NO LONGER SUPPLIED
- 28 C6230A 8MB SIMM memory module - For DesignJet CP printer  
NO LONGER SUPPLIED
- 29 C6231A 16MB SIMM memory module - For DesignJet 400, 700, CP series printers  
NO LONGER SUPPLIED
- 30 C6232A 32MB SIMM memory module upgrade - For DesignJet 400, 700, CP series printers

**Memory (SIMM)**

- 31 1818-6171 4MB EDO (Extended Data Output) DRAM SIMM memory module
- 32 1818-6172 8MB EDO (Extended Data Output) DRAM SIMM memory module  
NO LONGER SUPPLIED
- 33 C4723-60264 16MB, 60ns EDO (Extended Data Output) DRAM SIMM memory module

**Electronics/Power Supply**

**Cable**

- 34 C4704-60015 Carriage board trailing cable with ferrite - Three ribbon cables bundled together - 1.9m (6.3ft) long
- 35 C4704-60025 Ribbon cable assembly with ferrite - Has 28 pin (F) connectors - 1.3m (4.1ft) long

**Carriage Kit**

- 36 C4723-69096 Carriage assembly - Includes carriage assembly, line sensor, encoder, rear bushing, calibration pen, digitizing sight, gauges - Trailing cable and cable clamp not included  
REQUIRES RETURN OF DEFECTIVE PART
- C4723-60096 *New Part for C4723-69096*

**Firmware**

- 37 C4723-69294 Firmware SIMM kit (Revision A.04.08) - Mounts in the electronics module - NOTE: this is not a postscript SIMM  
REQUIRES RETURN OF DEFECTIVE PART
- C4723-60294 *New Part for C4723-69294*

**Front Panel**

- 38 C4704-60255 Front (Control) panel and cable assembly - Includes function buttons and display

**Module**

- 39 C4723-69114 Electronics module - Includes power supply, fan, and main board  
REQUIRES RETURN OF DEFECTIVE PART
- C4723-60114 *New Part for C4723-69114*

**Motor**

- 40 C4704-60040 Bail motor

**PC Board**

- 41 C4704-60009 Refill interconnect board



## Electronics/Power Supply

### Power Cord

- 8120-0698 Power cord (Black) - 18 AWG, 2.3m (7.5ft) long - Has straight (F) receptacle (For 220V/240V in the USA and Canada)
- 8120-1378 Power cord (Jade Gray) - 18 AWG, 2.3m (7.5ft) long - Has straight (F) receptacle (For 120V in USA, Canada, Latin America, Korea, Taiwan, Thailand, Spain, Brazil, and Vietnam)

### RIP Server

- C6084-69001 Raster image processor server assembly - External unit used to improve print speed and provide networking for a DesignJet large format printer - Not for Japan
- C6084-69002 Raster image processor server assembly - External unit used to improve print speed and provide networking for a DesignJet large format printer - Kanji version for Japan  
REQUIRES RETURN OF DEFECTIVE PART
- C6084-60002 *New Part for C6084-69002*

### Sensor

- 46 C4704-60029 Right end cover and window closed sensors - Includes cable and connector
- 47 C4704-60052 Pincharm sensor
- 48 C4704-60058 Left end cover sensor - Includes cable and connector
- 49 C4704-60195 Media sensor assembly - Includes, edge measuring and secondary levers, media sensor and holder
- C4723-60096 Line sensor - Detects paper width and skew - Measures calibration accuracy and printhead alignment

### Switch

- 51 C4704-60056 Power switch - Includes cable
- 52 C4704-60261 Stand-by switch assembly

## External Case Parts

### Bin

- 53 C4704-60073 Media bin arm (Loop assembly)
- C4713-60147 *New Part for C4704-60073*

### Cover

- 54 C4704-00004 MIO (Modular input/output) cover
- 55 C4704-00021 Top cover
- 56 C4704-00033 SIMM slot cover
- 57 C4704-40057 Electronics module left cover
- 58 C4704-40058 Electronics module right cover
- 59 C4704-60274 Electronics module cover
- 60 C4723-60115 Right end cover - Has cutouts for the control panel
- 61 C4723-60116 Left end cover

### Cross-Brace

- 62 C4704-60077 Cross-brace (E-size) - Main structure that extends between stand legs

### Foot

- 63 C4704-60086 Foot assembly (includes casters)

### Hardware Kit

- 64 C4704-60095 Hardware kit for printer stand - Includes screwdriver, screws, washers, and media bin retaining clips

### Holder

- 65 C4704-60218 Quick reference holder pocket - Holds quick reference guides and media knife

### Leg

- 66 C4704-60075 Leg assembly - Side support for the plotter - Does NOT include the foot assembly



## External Case Parts

### Overlay

|             |   |
|-------------|---|
| C4704-60101 | Front panel overlay - Shows the function of the front panel buttons and indicator lights (English)    |
| C4704-60102 | Front panel overlay - Shows the function of the front panel buttons and indicator lights (Korean)     |
| C4704-60103 | Front panel overlay - Shows the function of the front panel buttons and indicator lights (Taiwanese)  |
| C4704-60104 | Front panel overlay - Shows the function of the front panel buttons and indicator lights (German)     |
| C4704-60105 | Front panel overlay - Shows the function of the front panel buttons and indicator lights (French)     |
| C4704-60106 | Front panel overlay - Shows the function of the front panel buttons and indicator lights (Spanish)    |
| C4704-60107 | Front panel overlay - Shows the function of the front panel buttons and indicator lights (Italian)    |
| C4704-60108 | Front panel overlay - Shows the function of the front panel buttons and indicator lights (Japanese)   |
| C4704-60109 | Front panel overlay - Shows the function of the front panel buttons and indicator lights (Portuguese) |
| C4704-60110 | Front panel overlay - Shows the function of the front panel buttons and indicator lights (Chinese)    |

### Sensor

|    |             |   |
|----|-------------|---|
| 77 | C4723-69071 | Take-up reel sensor assembly<br>REQUIRES RETURN OF DEFECTIVE PART |
|    | C4723-60071 | <i>New Part for C4723-69071</i>                                   |

### Spindle

|    |             |                                       |
|----|-------------|---------------------------------------|
| 78 | C6246-60010 | 36-inch take-up reel spindle assembly |
|----|-------------|---------------------------------------|

### Strip

|    |             |  |
|----|-------------|--|
| 79 | C4704-40070 | Capping strips ( E-size) - Two strips that snap together on the ends of the bin arms |
|----|-------------|--|

### Support

|    |             |  |
|----|-------------|--|
| 80 | C4714-60147 | Media bin support (E-size) - Supports media bin arms |
| 81 | C4723-60072 | Take-up reel left hand support assembly              |
| 82 | C6246-60009 | Take-up reel right hand support assembly             |

### Take-Up Reel

|    |        |   |
|----|--------|---|
| 83 | C6246A | Take-up reel kit for DesignJet 2000CP/2500CP - Includes take-up reel spindle assembly, left and right take-up reel supports, take-up reel sensor assembly, empty core tubes, and media weight tubes |
|----|--------|---|

### Tray

|    |             |   |
|----|-------------|---|
| 84 | C4704-60084 | Plotter stand tray assembly - Mounted between the feet of plotter |
|----|-------------|---|

### Tube Kit

|    |             |  |
|----|-------------|--|
| 85 | C6246-60011 | Media weight and core kit for the take-up reel |
|----|-------------|--|

### Window

|    |             |                        |
|----|-------------|------------------------|
| 86 | C4704-60087 | Lift-up viewing window |
|----|-------------|------------------------|

## Optional Interfaces

### Interface (Product)

|        |   |
|--------|---|
| J2552B | LAN & LocalTalk Interface - Has EtherTwist (10Base-T) , ThinLAN (10Base-2) , and LocalTalk (DIN-8) connectors<br>NO LONGER SUPPLIED   |
| J2555B | Token ring LAN interface board - DB-9 and RJ-45 connectors<br>NO LONGER SUPPLIED  |
| J2590A | External JetDirect LAN interface module with RJ-45 connector for EtherTwist (10Base-T) or 100VG/802.12 input and 3 parallel (DB-25) output connectors<br>NO LONGER SUPPLIED |
| J2591A | External JetDirect LAN interface module and power module - Has EtherTwist (10Base-T) and ThinLAN (10Base-2) connectors<br>NO LONGER SUPPLIED                                |
| J3264A | External JetDirect 500X token ring interface module - Interfaces up to 3 parallel printers to a token ring (DB-9 or RJ-45) LAN  |
| J3265A | External JetDirect 500X LAN interface module - Interfaces up to 3 parallel printers to an ethernet 10Base-T (RJ-45), 10Base2 (BNC), or 100Base-TX (RJ-45) LAN               |



## Optional Interfaces

### Module

|             |  |
|-------------|--|
| J2590-69001 | External JetDirect LAN interface module with RJ-45 connector for ethertwist (10Base-T) or 100VG/802.12 input and 3 parallel (DB-25) output connectors<br>REQUIRES RETURN OF DEFECTIVE PART |
| J2590-61011 | <i>New Part for J2590-69001</i>  |
| J2591-69001 | External JetDirect LAN interface module with ethertwist (10Base-T) and ThinLAN (10BASE-2) connectors   |
| J2593-69001 | External JetDirect LAN interface module with Ethertwist (10Base-T) and ThinLAN (10BASE-2) input connectors and 3 parallel (DB-25) output connectors - (part of J2593A)                     |
| J2594-69001 | External JetDirect token ring interface module with DB-9 and RJ-45 input connectors and 3 parallel (DB-25) output connectors - (part of J2594A)<br>REQUIRES RETURN OF DEFECTIVE PART       |
| J2594-61011 | <i>New Part for J2594-69001</i>  |

### PC Board (Interface)

|             |   |
|-------------|---|
| J2552-69013 | LAN and LocalTalk interface - EtherTwist (10Base-T), ThinLAN (10Base-2), and LocalTalk (DIN-8) connectors |
| J2555-69013 | Token ring LAN interface board - DB-9 and RJ-45 connectors  |

## Other Accessories

### CD-ROM (Support)

|             |   |
|-------------|---|
| C7769-90066 | DesignJet support CD ROM - Version A.04.01 - Has product information, user's manuals, service manuals, diagnostic software, test drawings, newsletters, and service notes |
|-------------|---|

### Cleaning Supplies

|        |  |
|--------|--|
| C6247A | DesignJet cleaning kit - Includes cleaning solution and 20 cleaning rags |
|--------|--|

### Humidor

|        |   |
|--------|---|
| C6236A | DesignJet CP ink system storage container - Holds printheads and printhead cleaners when not in use |
|--------|---|

### Ink System Return Kit

|           |   |
|-----------|---|
| 5183-5283 | Return kit (Box and instructions) - For returning defective large format printer ink systems covered under CREW program |
|-----------|---|

### Ink and Printhead

|        |   |
|--------|---|
| C1806A | Black ink system - Includes print head, print head cleaner and ink cartridge      |
| C1807A | Cyan ink system - Includes print head, print head cleaner and ink cartridge       |
| C1808A | Magenta ink system - Includes print head, print head cleaner and ink cartridge    |
| C1809A | Yellow ink system - Includes print head, print head cleaner and ink cartridge     |
| C1892A | Black UV ink system - Includes print head, print head cleaner and ink cartridge   |
| C1893A | Cyan UV ink system - Includes print head, print head cleaner and ink cartridge    |
| C1894A | Magenta UV ink system - Includes print head, print head cleaner and ink cartridge |
| C1895A | Yellow UV ink system - Includes print head, print head cleaner and ink cartridge  |

### Kit

|             |  |
|-------------|--|
| C4723-60141 | Preventive maintenance kit - Contains line sensor cover, encoder strip, Y-AXIS pulley, belt, motor, cutter, silicon grease, plastic surface cleaner, synthetic oil and wipes |
| C4723-60238 | Adjustment kit - Includes instructions, empty cartridge, digitizing sight (magnifier) and gauge  |

### Lubricant

|           |   |
|-----------|---|
| 6040-0855 | Synthetic oil - 4oz (113g) plastic bottle |
|-----------|---|

### Manual

|           |   |
|-----------|---|
| 5959-9733 | HP-GL/2 & HP RTL reference guide - Programming information, handbook for developers |
| 5959-9734 | Comparison guide for HP-GL/2 and RTL peripherals (English)                          |



Other Accessories

Manual Kit

- C4703-60041 DesignJet 2000CP/2800CP manual kit - Includes user's guide, setup guide, quick reference guide, and assembly instructions (English)
- C4703-60042 DesignJet 2000CP/2800CP manual kit - Includes user's guide, setup guide, and assembly instructions (Korean)
- C4703-60043 DesignJet 2000CP/2800CP manual kit - Includes user's guide, setup guide, and assembly instructions (Traditional Chinese)
- C4703-60049 DesignJet 2000CP/2800CP manual kit - Includes user's guide, setup guide, and assembly instructions (Portuguese)
- C4703-60050 DesignJet 2000CP/2800CP manual kit - Includes user's guide, setup guide, and assembly instructions (Simplified Chinese)
- C4704-60304 DesignJet 2000CP/2500CP/2800CP manual kit - Includes user's guide, setup guide, and assembly instructions (German)
- C4704-60305 DesignJet 2000CP/2500CP/2800CP manual kit - Includes user's guide, setup guide, and assembly instructions (French)
- C4704-60306 DesignJet 2000CP/2500CP/2800CP manual kit - Includes user's guide, setup guide, and assembly instructions (Spanish)
- C4704-60307 DesignJet 2000CP/2500CP/2800CP manual kit - Includes user's guide, setup guide, and assembly instructions (Italian)
- C4704-60338 DesignJet 2000CP/2500CP/2800CP manual kit - Includes user's guide, setup guide, and assembly instructions (Japanese)

Software

- C6072-60281 Toolbox and driver software - HP-GL/2 and RTL drivers for Windows 3.1/95/98/NT 4.0 (all DesignJets), and toolbox software for Windows 95/NT 4.0 (Only for DesignJet 430/450C/455CA/1050C/1055CM) - On 3.5-inch 1.44MB floppy disks (English)
- C6072-60284 Toolbox and driver software - HP-GL/2 and RTL drivers for Windows 3.1/95/98/NT 4.0 (all DesignJets), and toolbox software for Windows 95/NT 4.0 (Only for DesignJet 430/450C/455CA/1050C/1055CM) - On 3.5-inch 1.44MB floppy disks (German)
- C6072-60285 Toolbox and driver software - HP-GL/2 and RTL drivers for Windows 3.1/95/98/NT 4.0 (all DesignJets), and toolbox software for Windows 95/NT 4.0 (Only for DesignJet 430/450C/455CA/1050C/1055CM) - On 3.5-inch 1.44MB floppy disks (French)
- C6072-60286 Toolbox and driver software - HP-GL/2 and RTL drivers for Windows 3.1/95/98/NT 4.0 (all DesignJets), and toolbox software for Windows 95/NT 4.0 (Only for DesignJet 430/450C/455CA/1050C/1055CM) - On 3.5-inch 1.44MB floppy disks (Spanish)
- C6072-60287 Toolbox and driver software - HP-GL/2 and RTL drivers for Windows 3.1/95/98/NT 4.0 (all DesignJets), and toolbox software for Windows 95/NT 4.0 (Only for DesignJet 430/450C/455CA/1050C/1055CM) - On 3.5-inch 1.44MB floppy disks (Italian)
- C6072-60301 HP-GL/2 driver software for AutoCAD - For DOS and Windows 3.1/95/NT 4.0 - On 3.5-inch 1.44MB floppy disks (English)
- C6072-60304 HP-GL/2 driver software for AutoCAD - For DOS and Windows 3.1/95/NT 4.0 - On 3.5-inch 1.44MB floppy disks (German)
- C6072-60305 HP-GL/2 driver software for AutoCAD - For DOS and Windows 3.1/95/NT 4.0 - On 3.5-inch 1.44MB floppy disks (French)
- C6072-60306 HP-GL/2 driver software for AutoCAD - For DOS and Windows 3.1/95/NT 4.0 - On 3.5-inch 1.44MB floppy disks (Spanish)
- C6072-60307 HP-GL/2 driver software for AutoCAD - For DOS and Windows 3.1/95/NT 4.0 - On 3.5-inch 1.44MB floppy disks (Italian)
- C6071-60368 ZEHRaster software for UNIX - Allows TIFF and JPEG printing on DesignJet 700 series, 1000 series, and CP series (Japanese)
- C7779-60040 ZEHRaster software for UNIX - Allows TIFF and JPEG printing on DesignJet 700 series, 1000 series, and CP series (Chinese)
- C7779-60041 ZEHRaster software for UNIX - Allows TIFF and JPEG printing on DesignJet 700 series, 1000 series, and CP series (English)
- C7779-60042 ZEHRaster software for UNIX - Allows TIFF and JPEG printing on DesignJet 700 series, 1000 series, and CP series (Korean)
- C7779-60043 ZEHRaster software for UNIX - Allows TIFF and JPEG printing on DesignJet 700 series, 1000 series, and CP series (Taiwanese)





## Other Accessories

### Software

- C7779-60044 ZEHRaster software for UNIX - Allows TIFF and JPEG printing on DesignJet 700 series, 1000 series, and CP series (German)
- C7779-60045 ZEHRaster software for UNIX - Allows TIFF and JPEG printing on DesignJet 700 series, 1000 series, and CP series (French)
- C7779-60046 ZEHRaster software for UNIX - Allows TIFF and JPEG printing on DesignJet 700 series, 1000 series, and CP series (Spanish)
- C7779-60047 ZEHRaster software for UNIX - Allows TIFF and JPEG printing on DesignJet 700 series, 1000 series, and CP series (Italian)

### Take-Up Reel

- 145 C6246A Take-up reel kit for DesignJet 2000CP/2500CP - Includes take-up reel spindle assembly, left and right take-up reel supports, take-up reel sensor assembly, empty core tubes, and media weight tubes

## Other Internal Parts

### Bushing

- 146 C3195-40076 Cutter bushing - Connects cutter assembly to slider rod

### Cable

- 147 C4704-60024 Ribbon cable assembly - Has 28 pin (F) connectors - 23.5cm (9.3 inches) long

### Clamp

- 148 C4723-40086 Trailing cable holder

### Cutter

- 149 C4704-60299 Cutter assembly - Auto cutter for rollfeed paper - Only for serial prefix ESA and ESB
- 150 C4723-60244 Cutter assembly - Auto cutter for rollfeed paper

### Elevator

- 151 C4704-60033 Elevator platform assembly - Raises and lowers ink cartridges to fill the print heads - Located on left side of plotter

### Enclosure

- 152 C4704-60067 Cutter enclosure - Mounted above entry platen

### Flag

- 153 C4704-40007 Service station flag - Spring loaded flag on right side of service station

### Refill Assembly

- 154 C4723-60249 Refill assembly - Mounted inside the left hand cover - Includes motor and gears

### Service Station

- 155 C4723-60276 Service station assembly

### Spring

- 156 C4704-80009 Service station spring

### Trim

- 157 C4704-60113 Right trim assembly - At right of entry platen
- 158 C4723-60111 Left trim assembly - At left of entry platen

## Paper Drive Parts

### Bail

- 192 C4704-60329 Bail assembly - Mounting strip assembly for the starwheel mount assemblies (Not included) - Extends width of plotter

### Bearing

- 193 1410-0708 Sleeve bearing - Used on left end of overdrive assembly

### Bushing

- 194 C1633-40082 Pincharm spring retaining bushing

**Paper Drive Parts**
**Cam**

- 195 C3180-40020 Pinch arm cam - Attached to pinch arm (Media) lever  
 196 C3190-60149 Left cam journal - Mounted on left end of pincharm shaft

**Gear**

- 197 C1633-40019 Overdrive gear cluster

**Gear Assembly**

- 198 C4705-60089 Clutch / overdrive gear assembly

**Guard**

- 199 C4704-60295 Starguard starwheel cover assembly

**Lever**

- 200 C4704-40059 Pinch arm (media) lever - Used when loading paper

**Link**

- 201 C4704-00025 Front wire link

**Motor**

- 202 C4704-60040 Bail motor  
 203 C4723-60303 X-AXIS motor assembly - Includes motor, belt, and worm gear - No longer supplied - Order X-AXIS motor assembly kit  
 NO LONGER SUPPLIED  
 C4724-60053 *New Part for C4723-60303*  
 204 C4724-60053 X-Axis motor assembly kit - New design does not use a belt - Kit includes motor with attached worm gear, helical gear, motor mount, screws and nuts for mounting the parts, grease for the helical gear, installation instructions

**Mount**

- 205 C1633-40089 Overdrive mount block

**Overdrive Assy**

- 206 C4704-60213 Overdrive assembly - Includes overdrive shims, clutch and overdrive gear  
 207 C4704-60281 Overdrive assembly (B) - Includes overdrive shims, clutch and overdrive gear

**Pincharm**

- 208 C4723-60247 Pincharm Assembly - Curved black plastic plate with 4 small rubber rollers (Does NOT include spring or bushing)

**Platen**

- 209 C4704-60294 Entry Platen Assembly - Cover/guide that is next to the paper drive (Platen) roller

**Roller**

- 210 C4700-60042 Paper drive (Platen) roller assembly - Long gear driven roller - Includes roller and mark encoder

**Sensor**

- 211 C4704-60052 Pincharm sensor  
 212 C4704-60195 Media sensor assembly - Includes, edge measuring and secondary levers, media sensor and holder

**Shaft**

- 213 C2848-60032 Pincharm shaft assembly - Includes cam journals mounted on each end

**Spring**

- 214 C1633-80005 Compression spring between pincharm assembly and bushing

**Starwheel Mount**

- 215 C4704-60143 Big starwheel mount assembly - Includes cover, body, spring and two starwheels  
 216 C4713-60035 Starwheel mount assembly - Includes cover, body, spring and two starwheels

**Support**

- 217 C4704-40026 Roller support bracket on left side plate





### Paper and Other Media

#### Canvas

- C6771A Studio canvas (368 gsm) - 91.4cm (36in) x 10.7m (35ft) roll - For regular ink or UV resistant ink
- C7966A Canvas with Matte finish - 61cm (24in) x 10.7m (35ft) (USA)
- C7967A Canvas with Matte finish - 91.4cm (36in) x 10.7m (35ft) (USA)

#### Film (Glossy)

- C6794A Durable Imaging Glossy UV media - For UV ink only - 91.4cm (36in) x 30.5m (100ft) roll

#### Film (Opaque)

- C7955A Opaque White Glossy Polyester Film - 61cm (24in) x 15.2m (50ft) (USA)
- C7956A Opaque White Glossy Film - 91.4cm (36in) x 15.2m (50ft) (USA)

#### Paper

- C7923A Basic Heavyweight Paper - 61cm (24in) x 30.5m (100ft) (USA and Asia/Pacific)
- C7924A Basic Heavyweight Paper - 91.4cm (36in) x 30.5m (100ft) (USA and Asia/Pacific)
- Q1739A Heat Transfer Paper - 91.4cm (36in) x 30.5m (100ft) (USA)
- Q1745A Paper Backed Fabric Polyester - 91.4cm (36in) x 10.1m (33ft) (USA)

#### Paper (Backlit)

- C7960A Backlit Reverse Print paper - 91.4cm (36in) x 22.9m (75ft) (USA)
- C6778A Colorlucent backlit UV paper - 91.4cm (36in) x 30.5m (100ft) roll - For UV (pigmented) inks ONLY

#### Paper (Banner)

- C6786A Banner paper with Tyvek (140 gsm) - UV ink only - 61cm (24in) x 15.2m (50ft) roll  
NO LONGER SUPPLIED
- C6787A Banner paper with Tyvek (140 gsm) - UV ink only - 91.4cm (36in) x 15.2m (50ft) roll

#### Paper (Coated)

- C6019B Coated paper (98 gsm) - 61cm (24in) x 45.7m (150ft) roll (USA, Canada, and Latin America)
- C6021B Heavyweight coated paper - 61cm (24in) x 30.5m (100ft) roll (USA, Canada, and Latin America)  
NO LONGER SUPPLIED
- C6029C Heavyweight coated paper - 61cm (24in) x 30.5m (100ft) roll - For regular or UV resistant ink
- C6020B Coated paper (98 gsm) - 91.4cm (36in) x 45.7m (150ft) roll (USA, Canada, and Latin America)
- C6022B Heavyweight coated paper - 91.4cm (36in) x 30.5m (100ft) roll (USA, Canada, and Latin America)  
NO LONGER SUPPLIED
- C6030C Heavyweight coated paper - 91.4cm (36in) x 30.5m (100ft) roll - For regular or UV resistant ink

#### Paper (Glossy)

- C8315A High Gloss Photo Paper - 61cm (24in) x 30.5m (100ft) (USA and Asia/Pacific)
- C8316A High Gloss Photo Paper - 91.4cm (36in) x 30.5m (100ft) (USA and Asia/Pacific)
- C6025A High gloss photo paper - 61cm (24in) x 30.5m (100ft) roll (USA, Canada, and Latin America)
- C6026A High gloss photo paper - 91.4cm (36in) x 30.5m (100ft) roll (USA, Canada, and Latin America)

#### Paper (Photo)

- C8310A Basic Photo Satin paper - 61cm (24in) x 30.5m (100ft) (USA and Asia/Pacific)
- C8311A Basic Photo Satin paper - 91.4cm (36in) x 30.5m (100ft) (USA and Asia/Pacific)

#### Paper (Poster)

- C7949A Outdoor Billboard Paper - Blue back - 91.4cm (36in) x 30.5m (100ft) (USA)

#### Paper (Satin)

- C7952A Proofing Paper RC Satin - 91.4cm (36in) x 30.5m (100ft) (USA)

#### Paper (Semi-Glossy)

- C6023A Semi-gloss photo paper - 61cm (24in) x 30.5m (100ft) roll (USA, Canada, and Latin America)
- C6782A Paper based semi-gloss media - 61cm (24in) x 30.5m (100ft) roll  
NO LONGER SUPPLIED



**Paper and Other Media**

**Paper (Semi-Glossy)**

- C6024A Semi-gloss photo paper - 91.4cm (36in) x 30.5m (100ft) roll (USA, Canada, and Latin America)
- C6783A Paper based semi-gloss media - 91.4cm (36in) x 30.5m (100ft) roll  
NO LONGER SUPPLIED

**Vinyl (Adhesive)**

- C6775A Colorfast adhesive vinyl (328 gsm) - 91.4cm (36in) x 12.2m (40ft) roll - For regular ink or UV-resistant ink

**Roll Feed Parts**

**Brake/Housing**

- 218 C4704-60199 Brake/housing assembly (on right side) - Accepts the flange end of the spindle rod assembly - Includes the 2 housing pieces, 2 brake shoes, brake gear, brake lever, and springs

**Cover**

- 219 C4704-60312 Rollfeed access cover - Opens forward to allow access to paper spindle assembly

**End Cap**

- 220 C2858-40043 Spindle end cap (small) (or core spacer) - Removes for loading the media roll

**Housing**

- 221 C4704-60082 Housing assembly (on left side)

**Spindle**

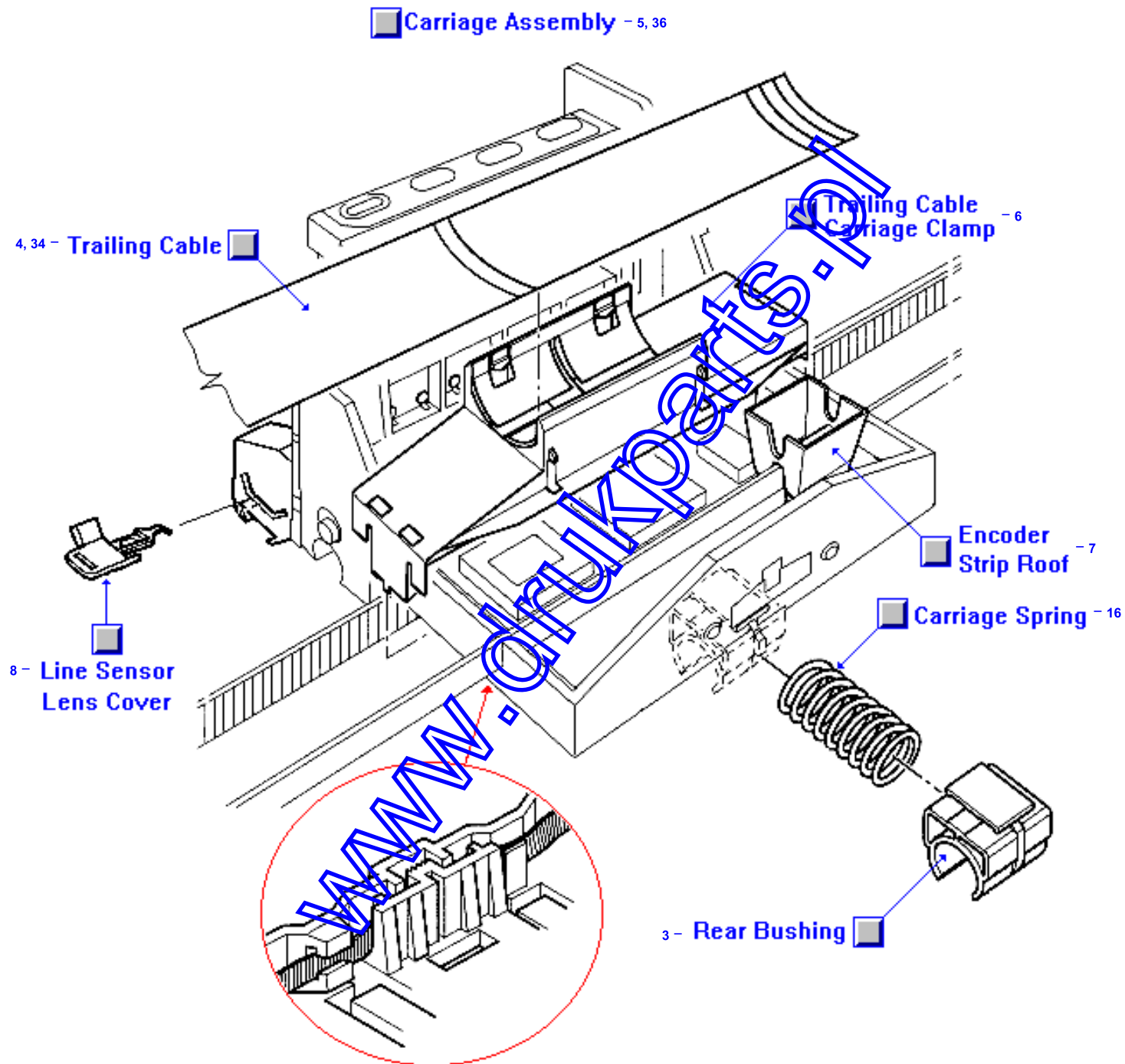
- 222 C4704-60317 Rollfeed spindle rod assembly - Includes flange and core spindle spacer

**Spring**

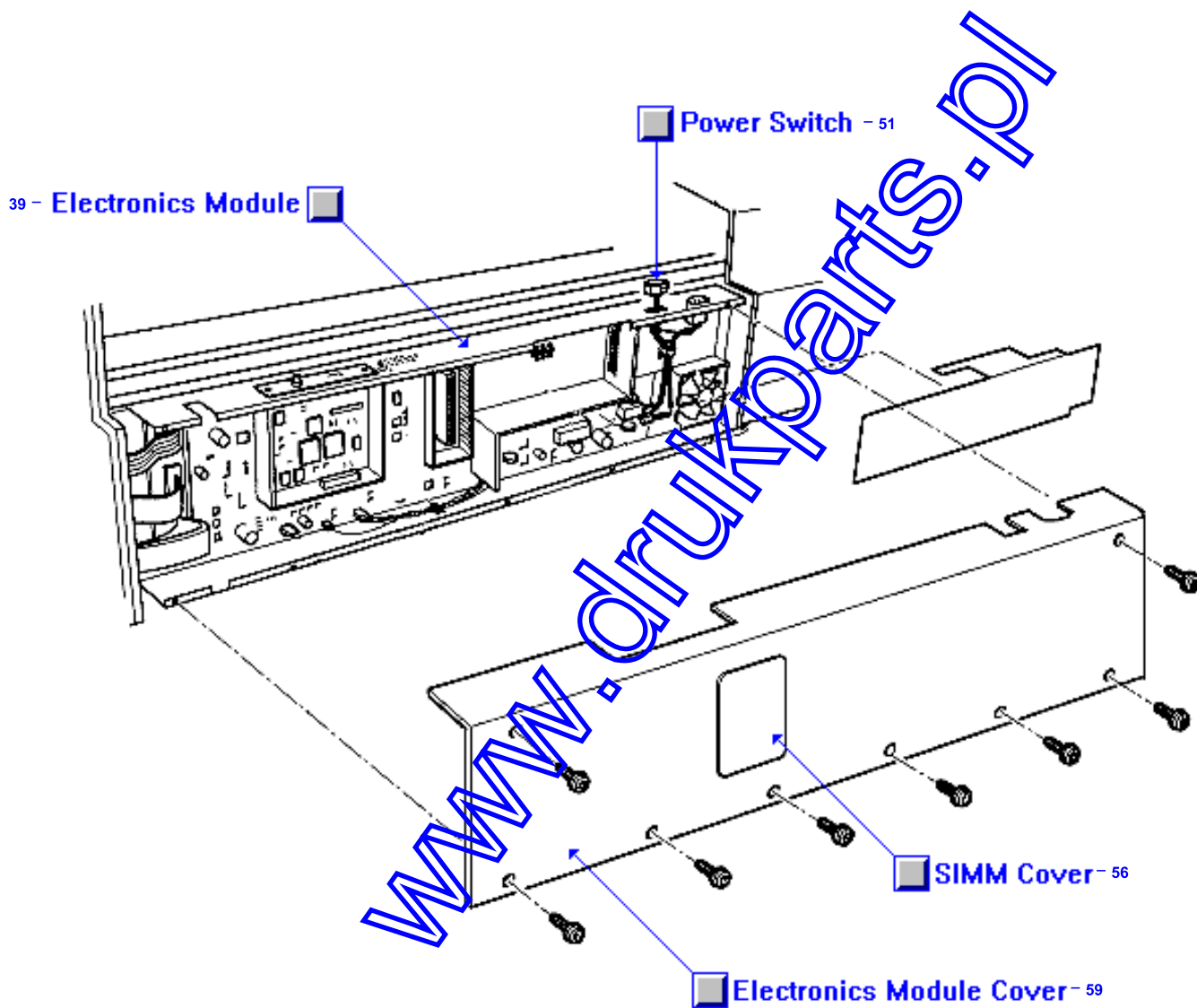
- 223 C1633-80004 Extension spring - Holds the rollfeed access cover closed

www.druckparts.nl

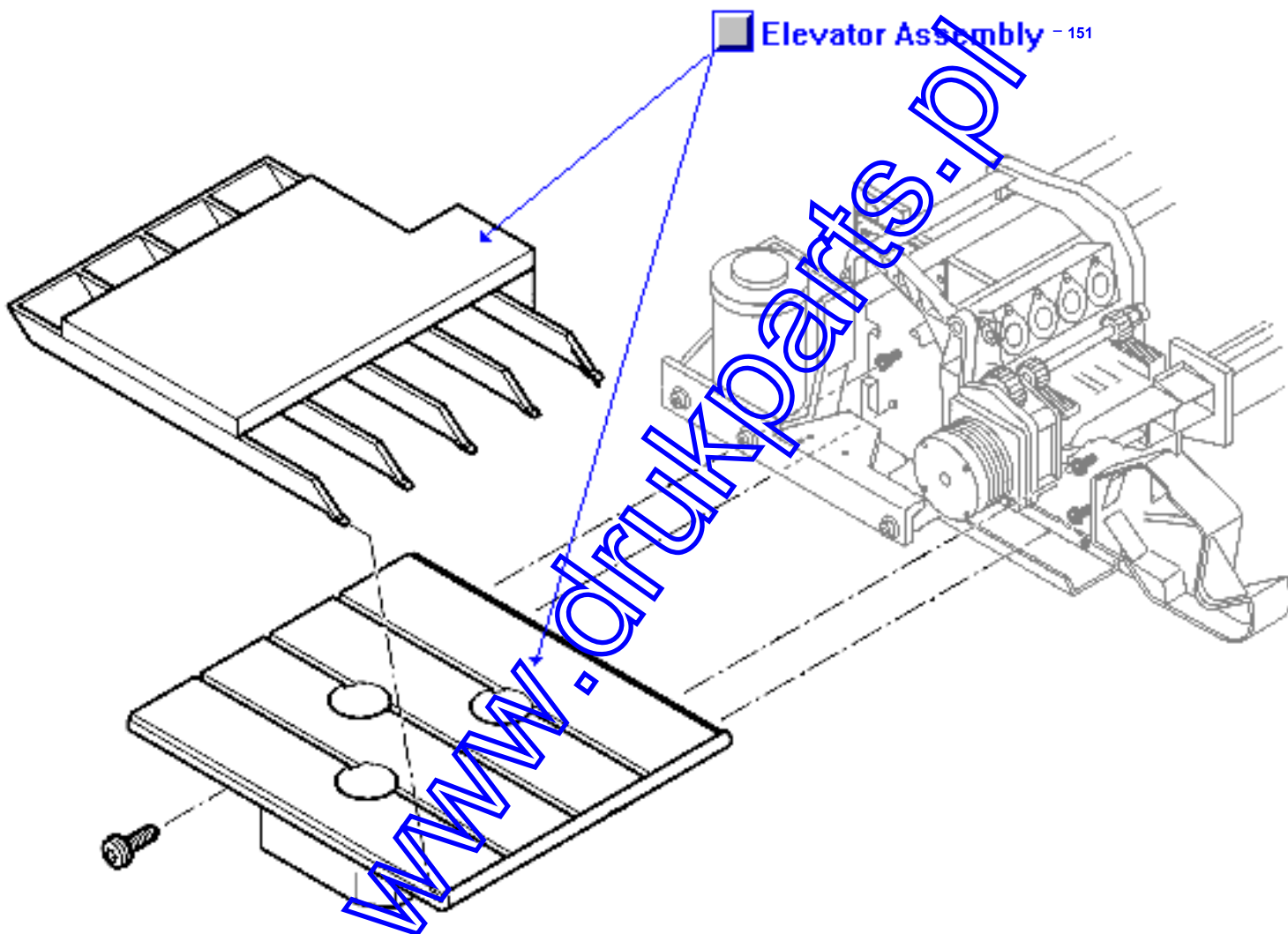
Carriage Assembly



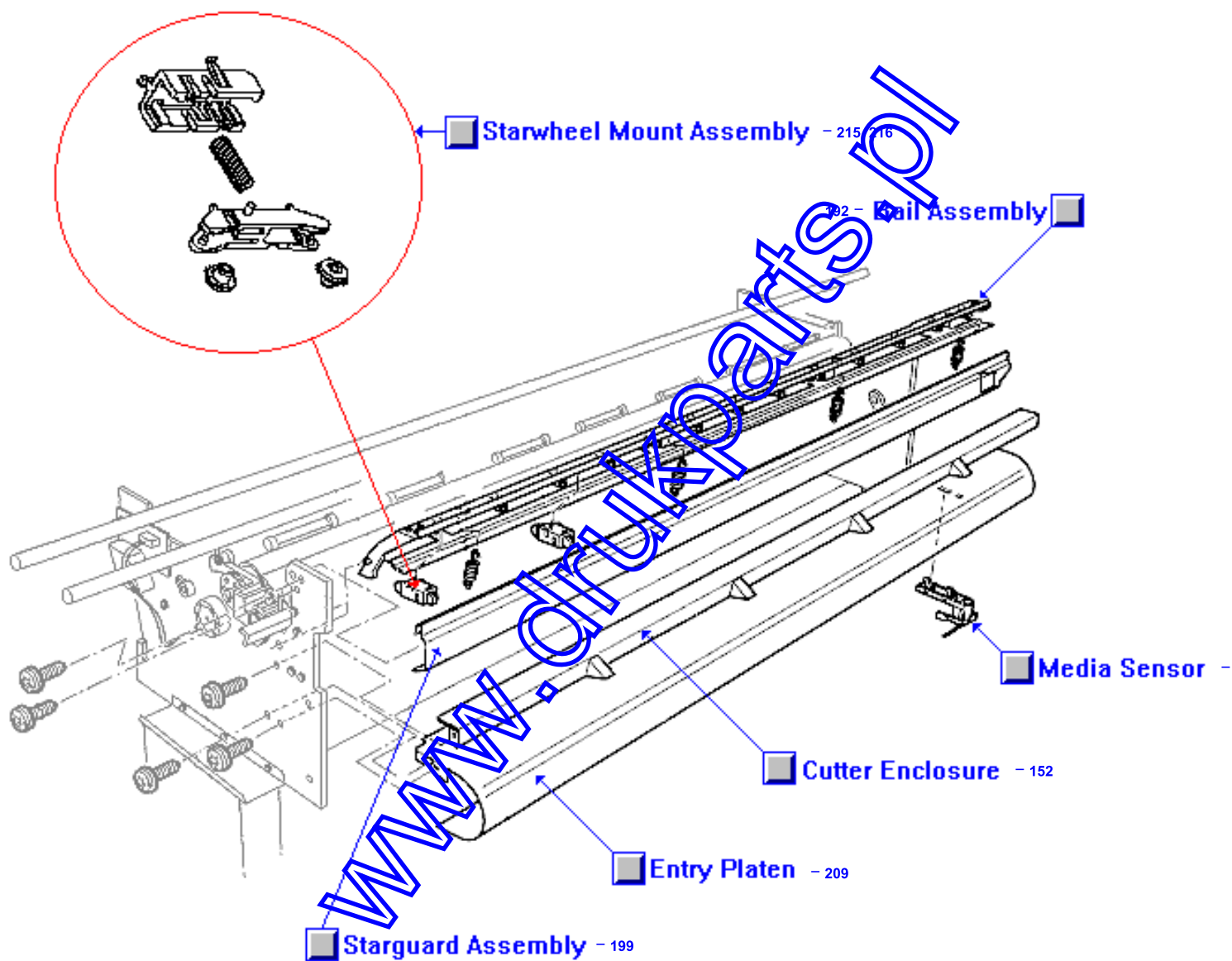
Electronics Module



Elevator Assembly

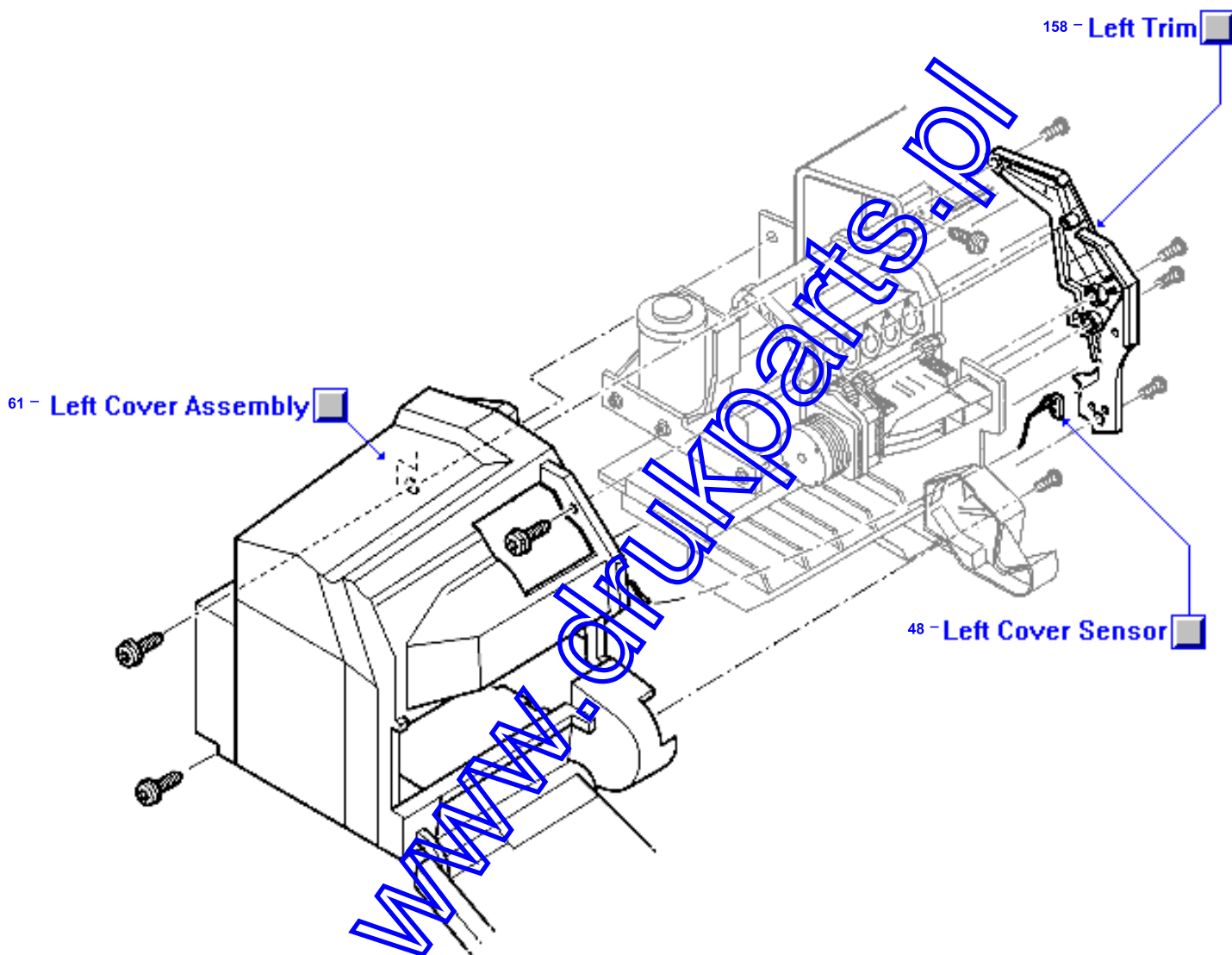


Entry Platen Area

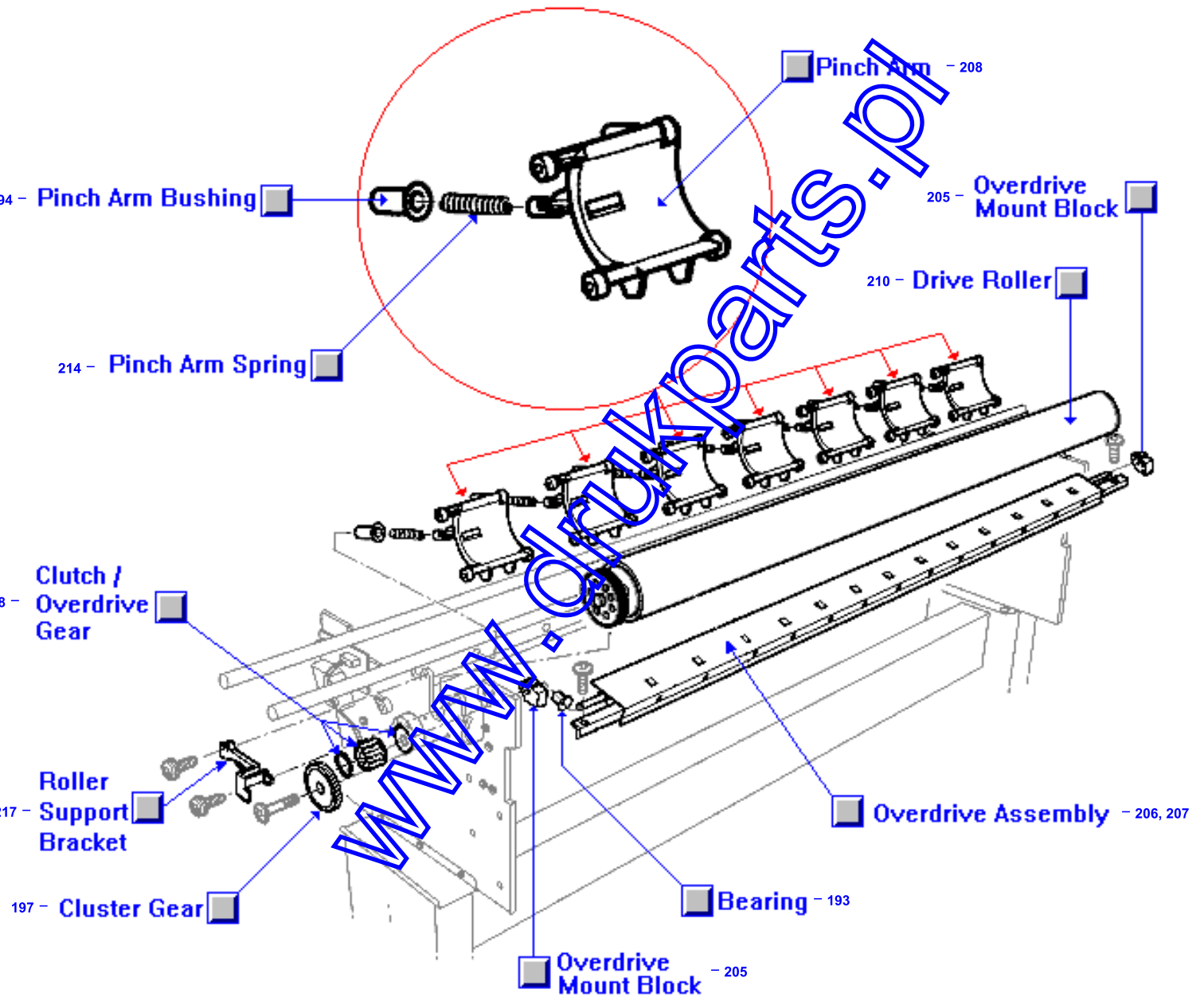




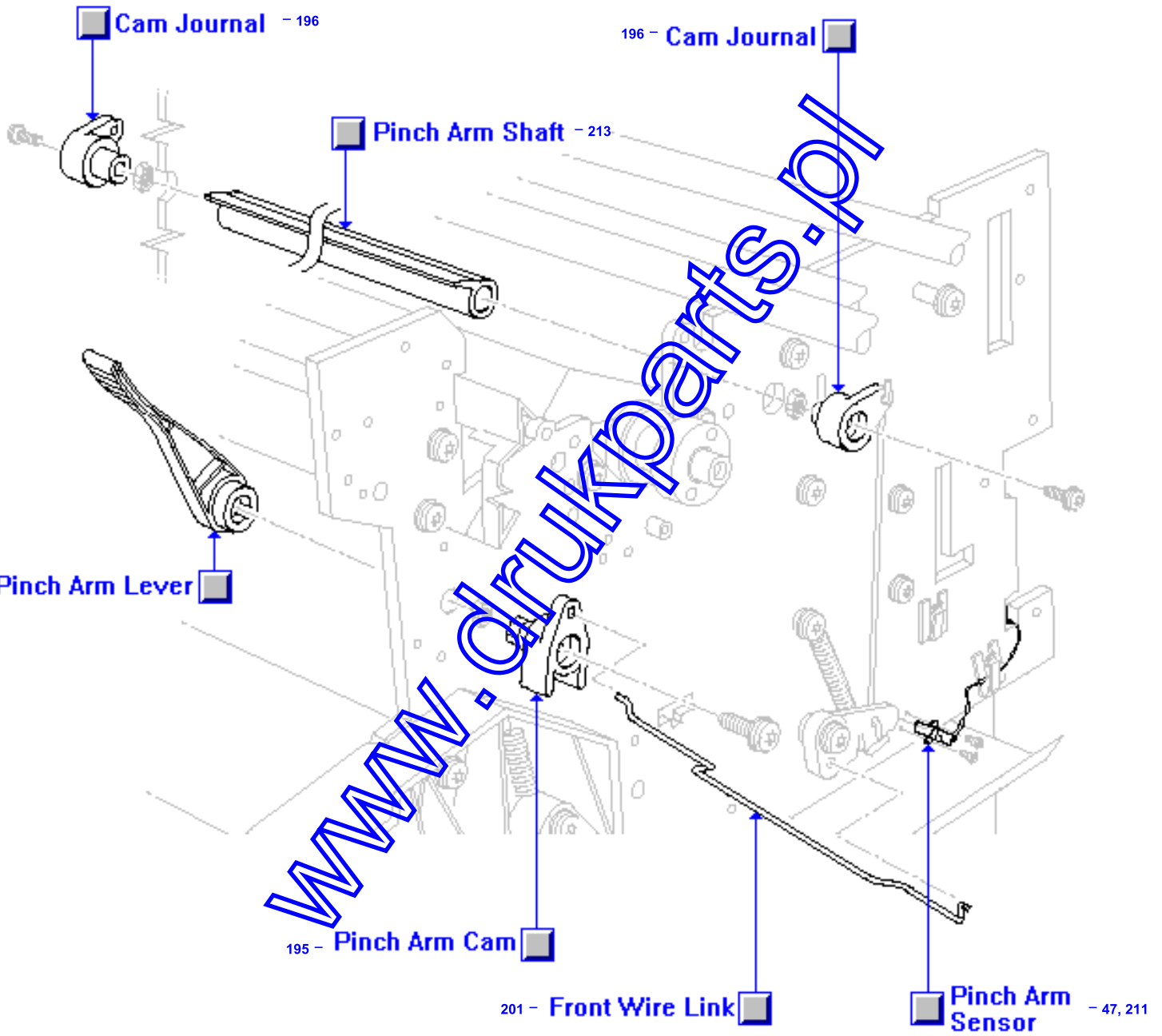
Left Hand Cover Area



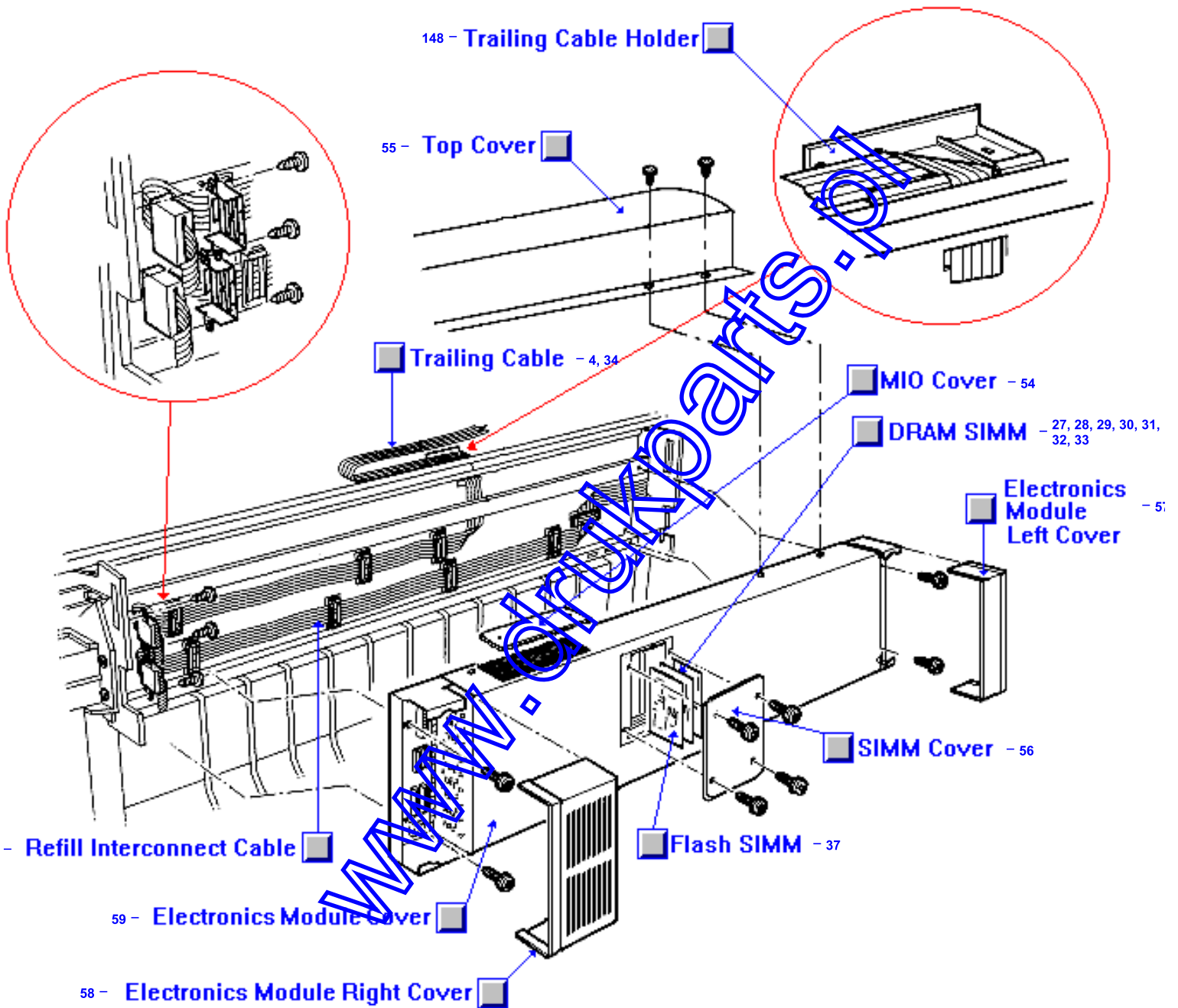
Paper Drive Roller Area



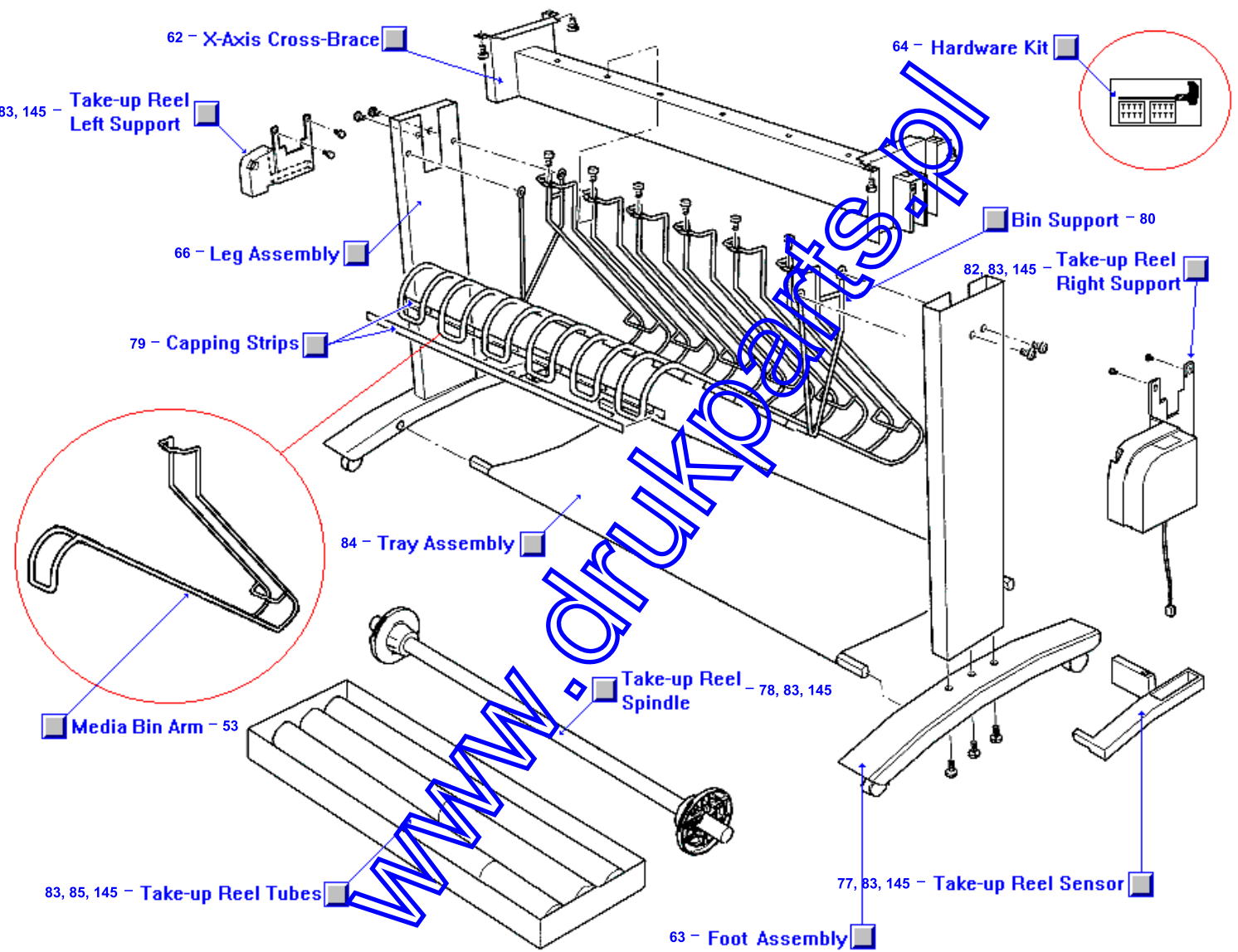
Pinch Arm Assembly



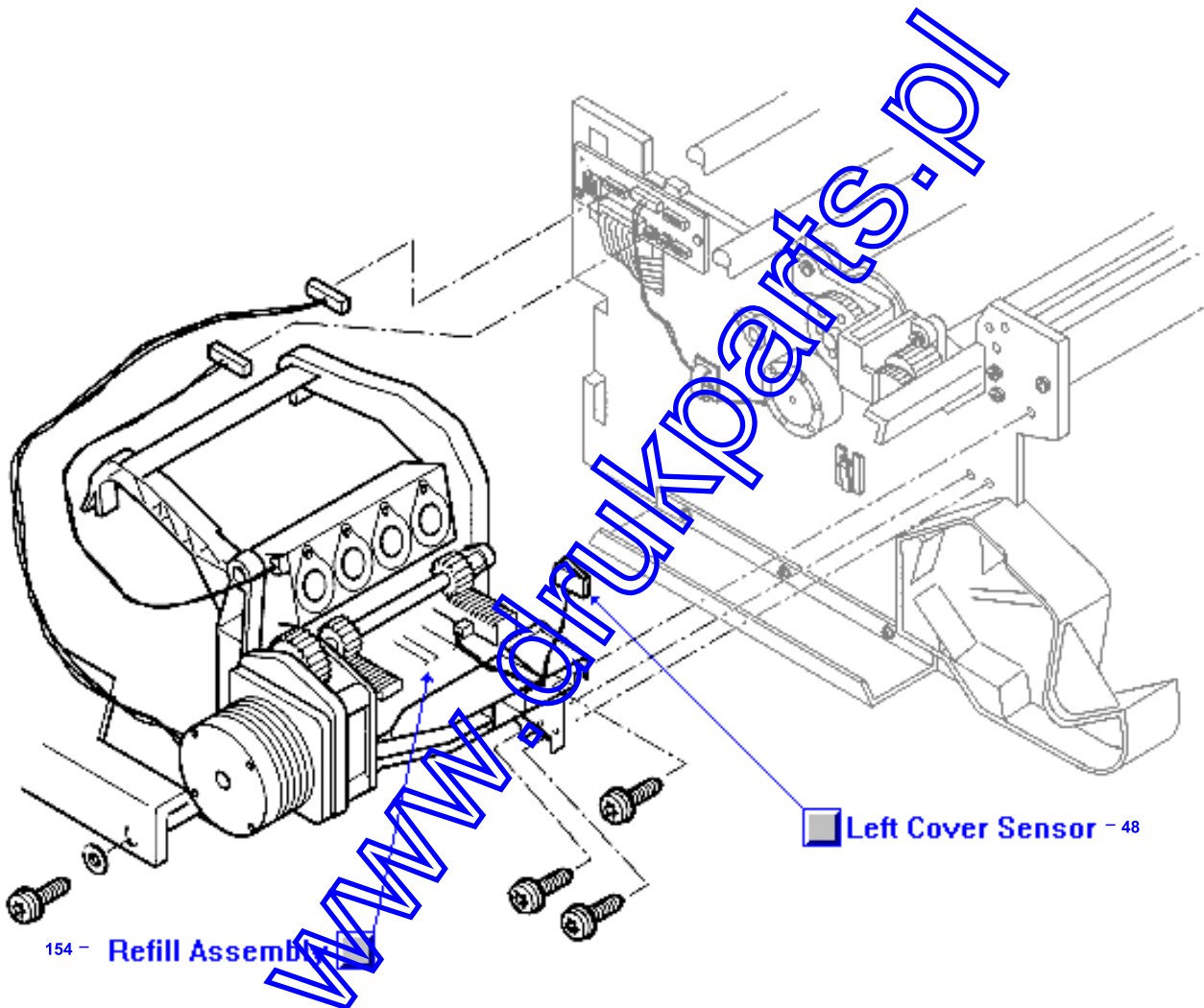
Printer Rear



Printer Support



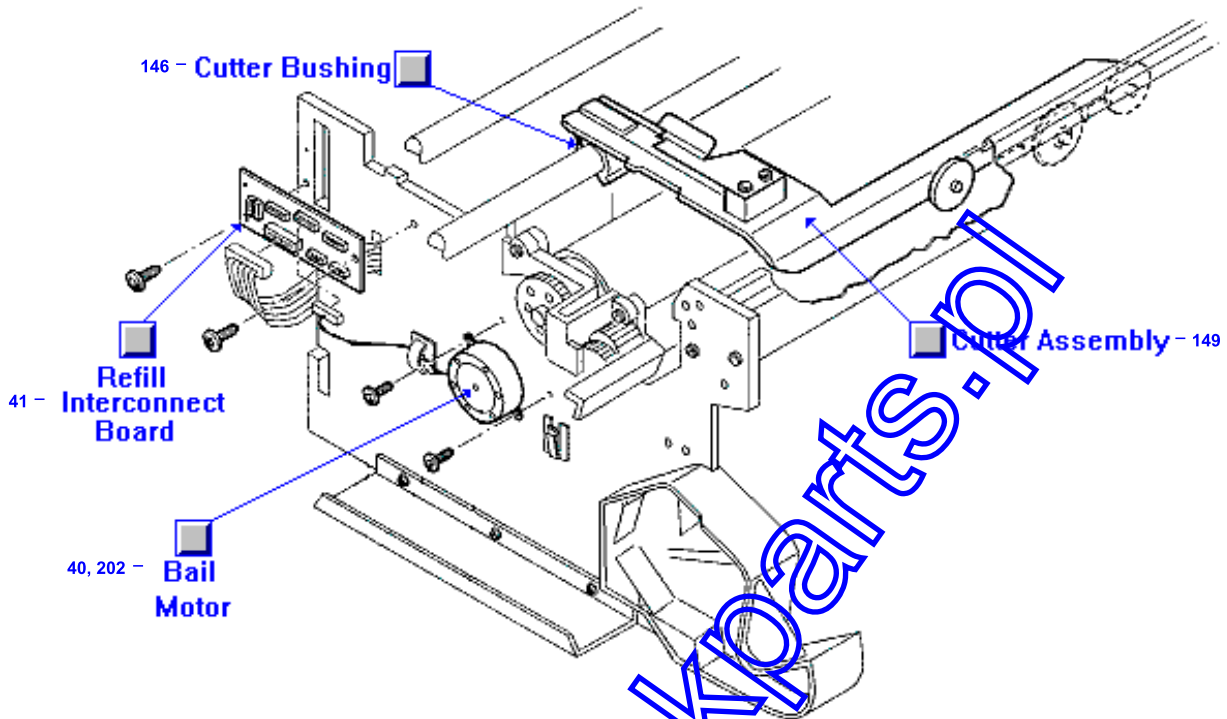
Refill Assembly



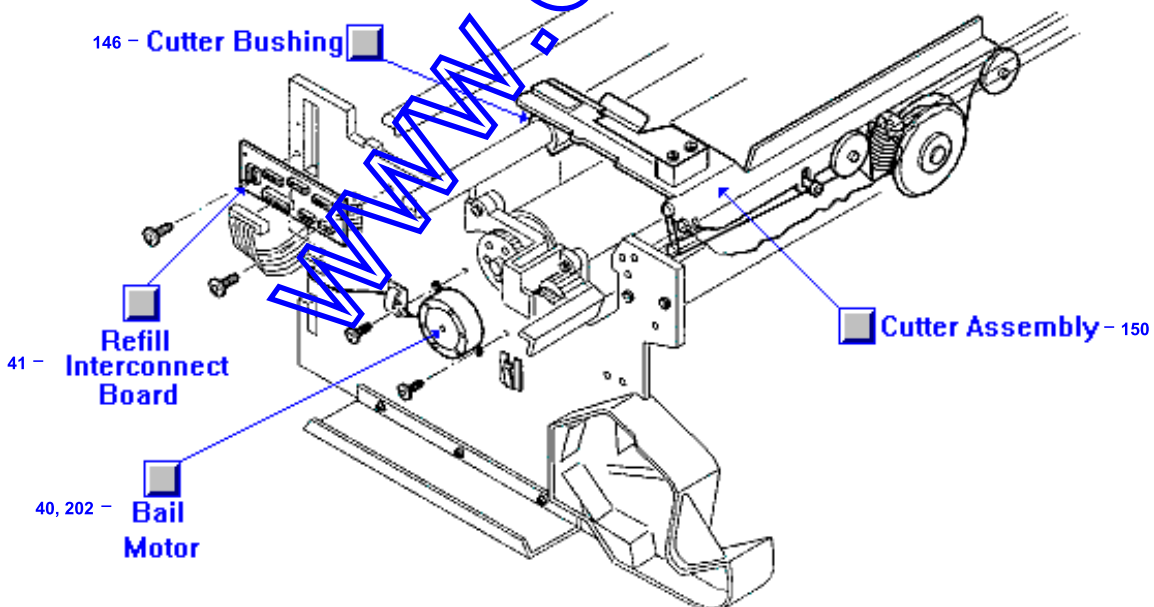


Refill Interconnect Board, Bail Motor and Cutter Assembly

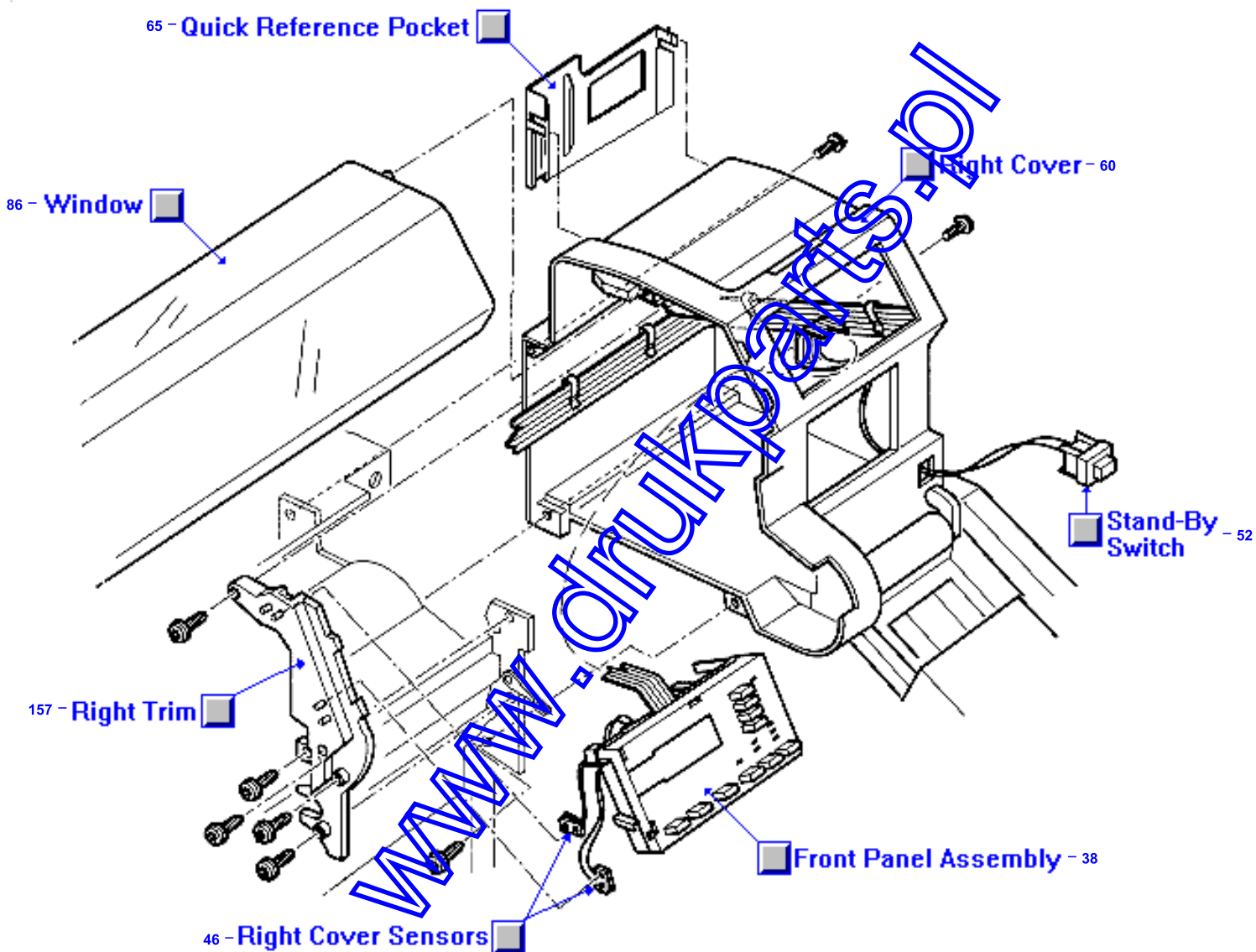
**Serial Prefix ESA and ESB**



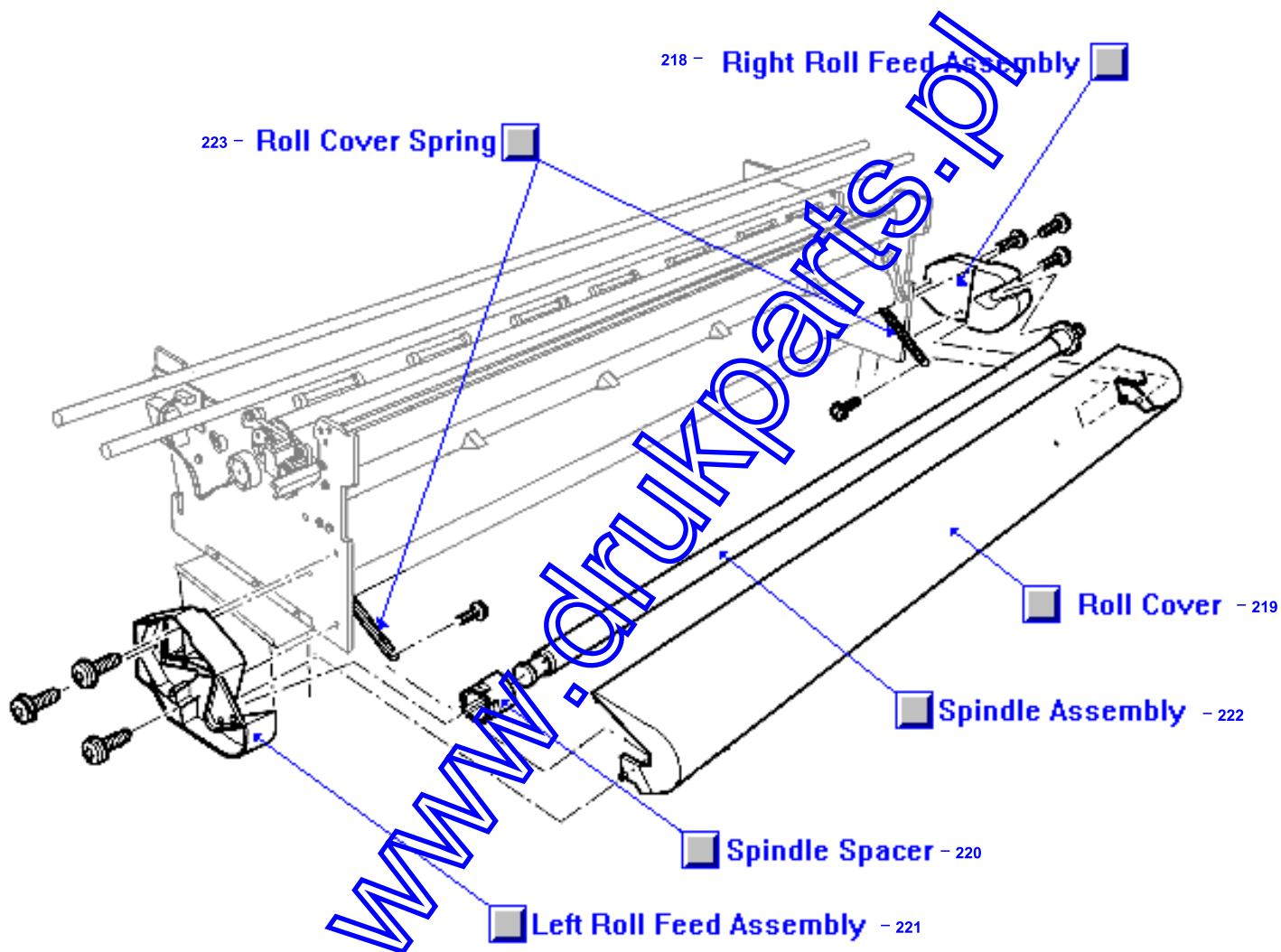
**Serial Prefix ESC**



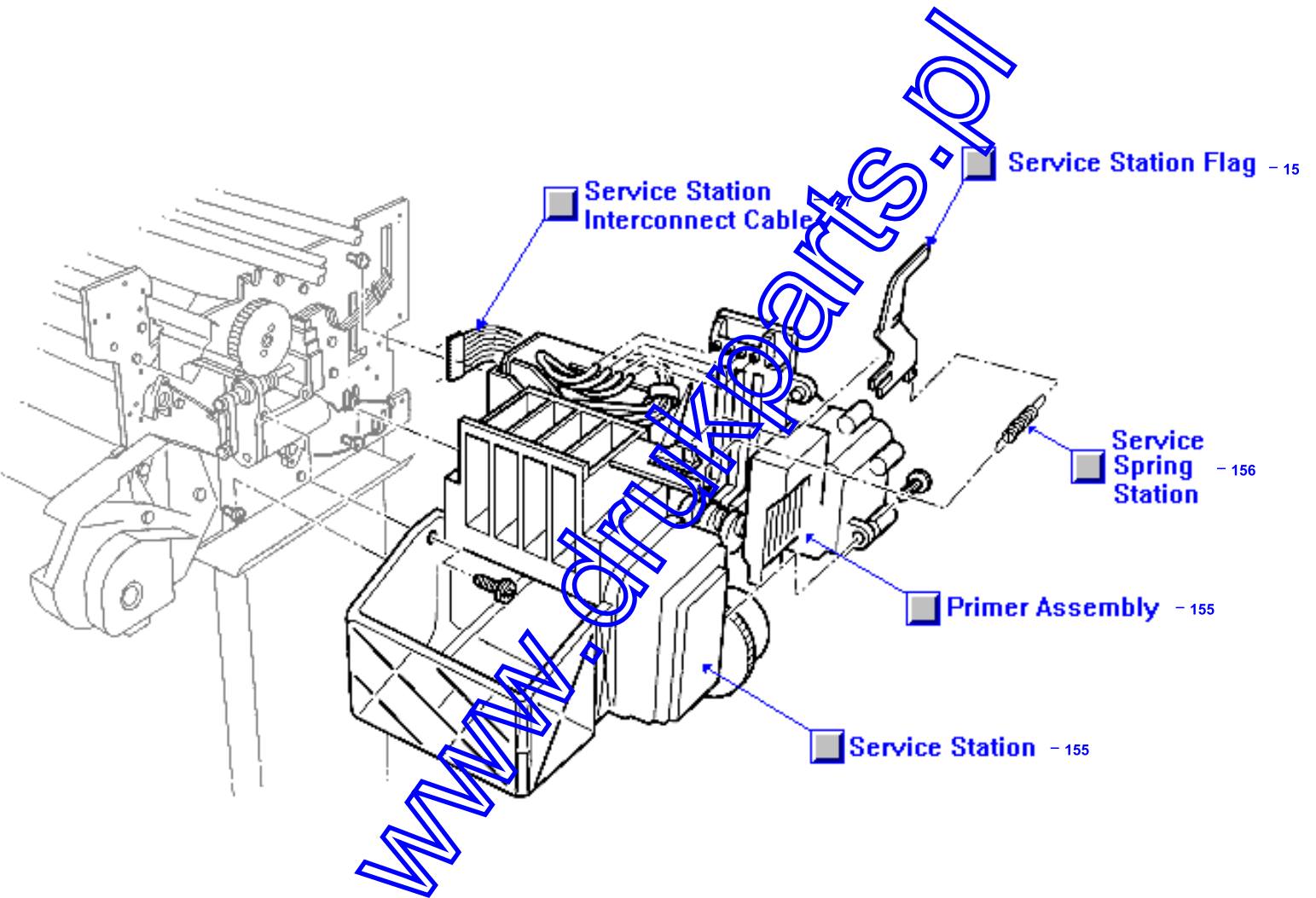
Right Hand Cover Area



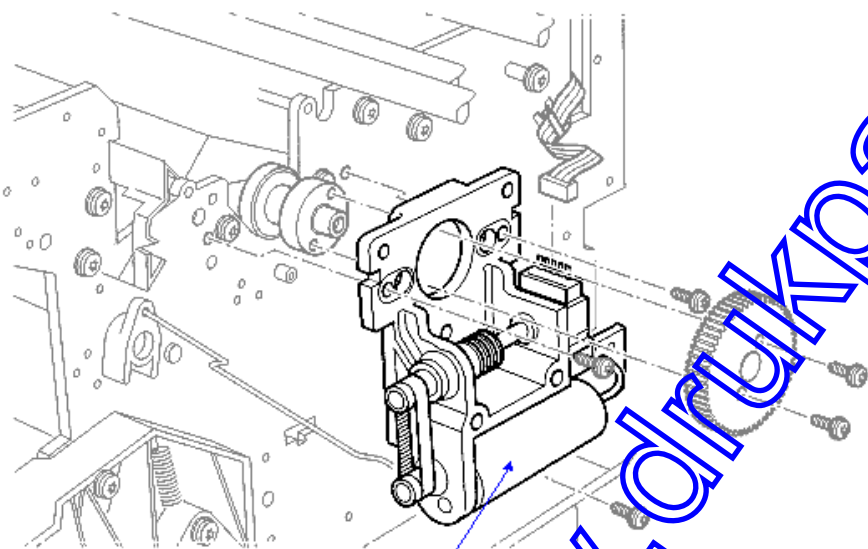
Roll Cover Area



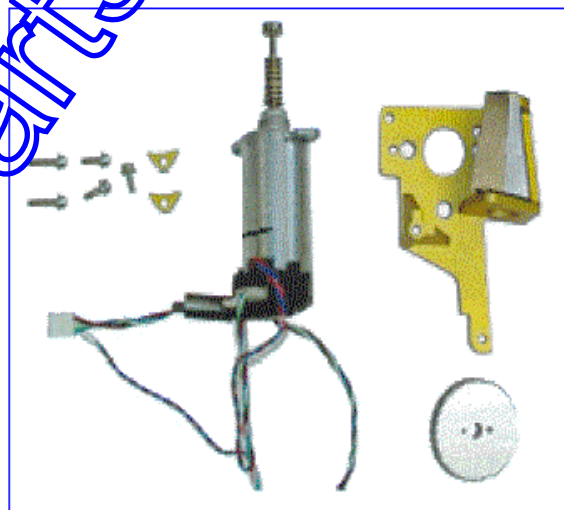
Service Station Assembly



X-Axis Motor Assembly



203, 204 - X-Axis Motor Assembly  
[Old Style]



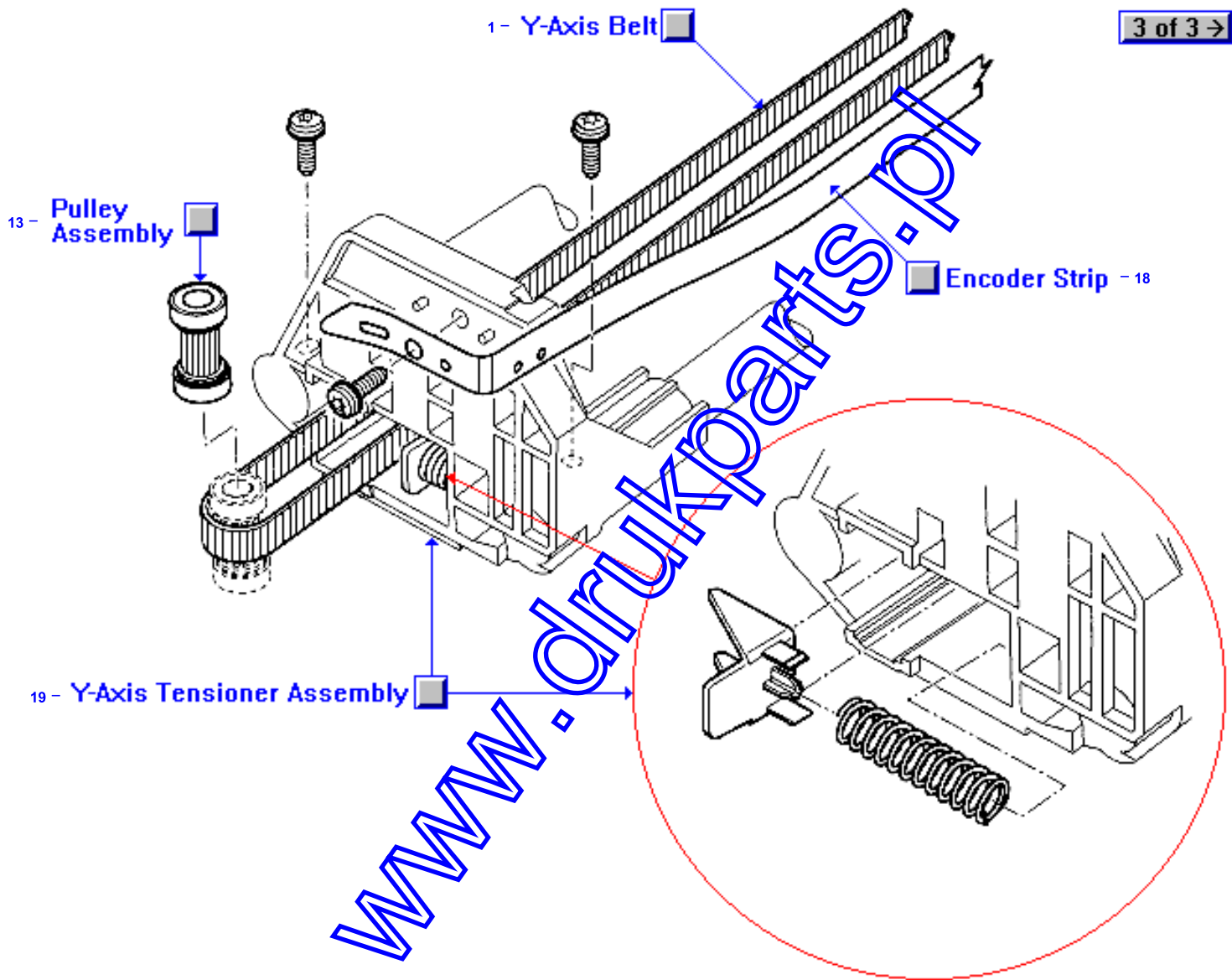
203, 204 - X-Axis Motor Replacement Kit  
[New Style]

www.drukparts.pl

Y-Axis Assembly (1 of 3) Belt, Tensioner, Pulley and Encoder

2 of 3 →

3 of 3 →



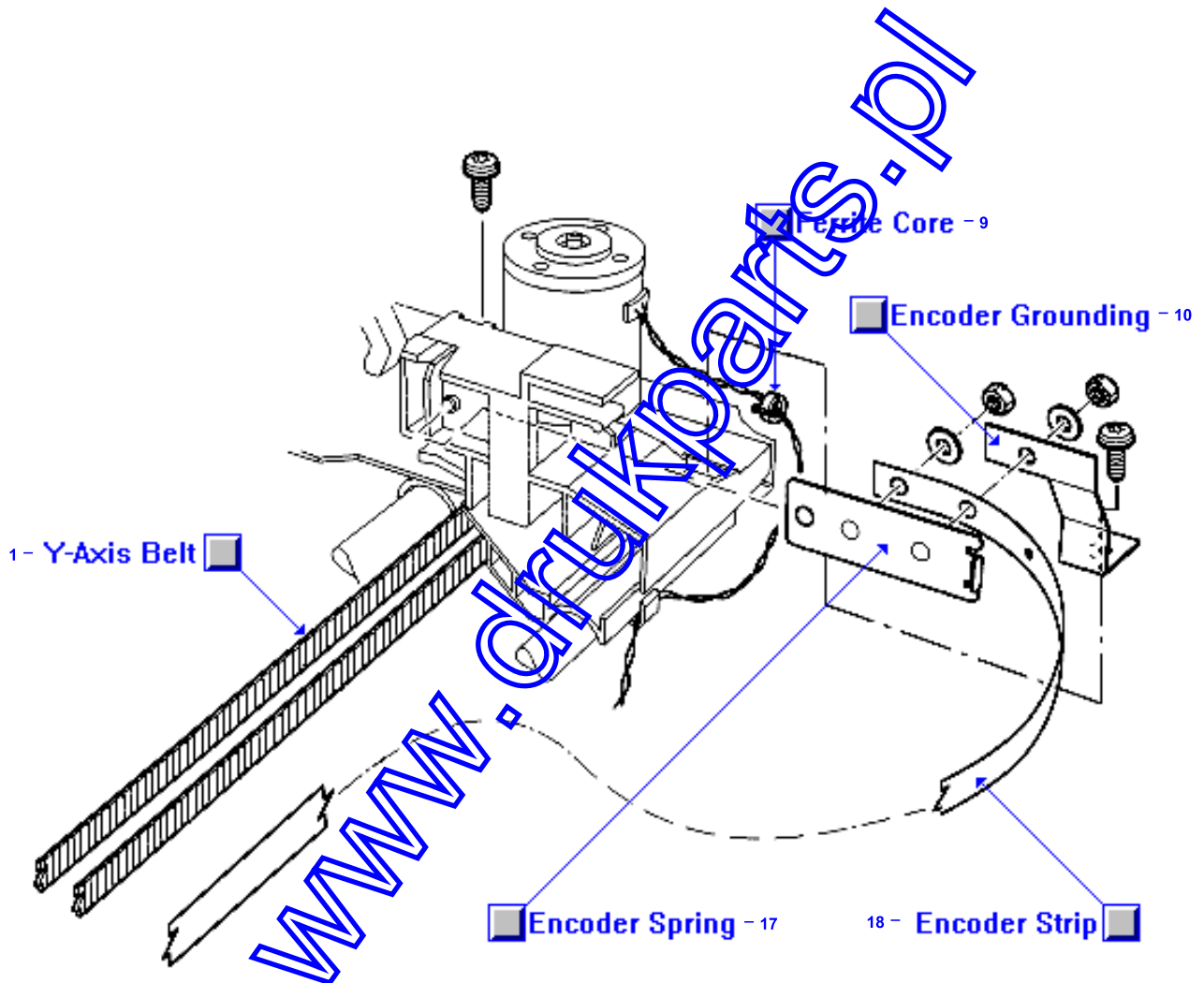
REAR VIEW



Y-Axis Assembly (2 of 3) Belt, Encoder Strip, Hardware

← 1 of 3

3 of 3 →

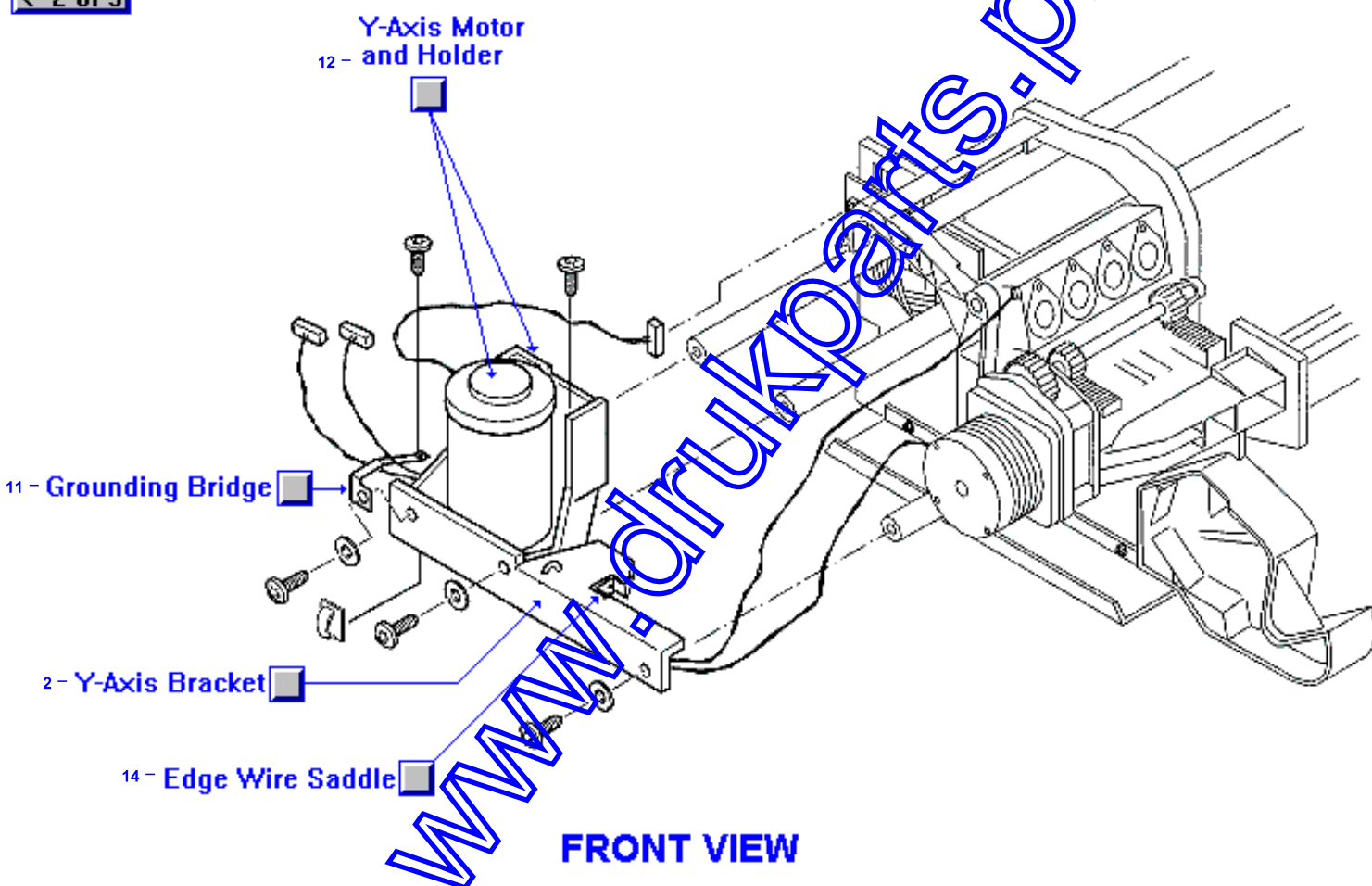


REAR VIEW

Y-Axis Assembly (3 of 3) Motor and Hardware

← 1 of 3

← 2 of 3





**HP Parts Reference Guide**

<http://www.hp.com/go/parts>

**HP PartSurfer**

<http://partsurfer.hp.com>

**HP Parts Ordering Information**

<http://www.hp.com/go/hpparts>

**HP Parts Questions/Comments**

<http://partsurfer.hp.com/contactus.htm>

[www.drukparts.pl](http://www.drukparts.pl)