



## Carriage Drive Parts

### Belt

1 C4704-60207 Carriage (Y-axis) belt - Drives the carriage assembly

### Bracket

2 C4704-00005 Y-axis motor bracket - Includes edge wire saddle - Holds Y-Axis Motor

### Bushing

3 C4704-40084 Rear slider rod bushing (Spring loaded)

### Cable

4 C4704-60015 Carriage board trailing cable with ferrite - Three ribbon cables bundled together - 1.9m (6.3ft) long

### Carriage Kit

5 C4723-69096 Carriage assembly - Includes carriage assembly, line sensor, encoder, rear bushing, calibration pen, digitizing sight, gauges - Trailing cable and cable clamp not included  
REQUIRES RETURN OF DEFECTIVE PART

C4723-60096 *New Part for C4723-69096*

### Clamp

6 C4704-40085 Trailing cable clamp - Secures the trailing cable to the carriage assembly

### Cover

7 C4704-40080 Encoder strip roof

8 C4704-60117 Line sensor lens cover

### Ferrite Assembly

9 9170-1687 Ferrite core - Installed on Y-AXIS motor cable

### Ground Strap

10 C4704-00016 Encoder ground strap - Provides ground to end of encoder strip

11 C4704-00035 Ground strap - Attached to Y-AXIS bracket

### Motor

12 C4723-60277 Carriage (Y-Axis) motor assembly - Drives carriage belt - Includes motor, motor holder, and cable

### Pulley

13 C4704-60020 Idler pulley - For carriage (Y-axis) belt - On right end of plotter

### Saddle

14 0460-2536 Edge wire saddle for Y-axis bracket

### Sensor

C4723-60096 Line sensor - Detects paper width and skew - Measures calibration accuracy and printhead alignment

### Spring

16 C1633-80014 Compression spring - For the rear bushing on the carriage

17 C4699-00016 Encoder spring

### Strip

18 C4704-60224 Encoder strip - Used to determine carriage position

### Tensioner

19 C4723-60063 Y-axis tensioner assembly - Applies tension to carriage belt - Includes wedge, tensioner spring, and housing

## Electronic Accessories

### Cable (Interface)

5063-1256 IEEE-1284 Bi-Tronics parallel cable - DB-25 (M) connector (type A) to 36 pin Centronics (M) connector (type B) - 2.0m (6.6ft) long

5063-1257 IEEE-1284 Bi-Tronics parallel cable - DB-25 (M) connector (type A) to 36 pin Centronics (M) connector (type B) - 3.0m (9.8ft) long

92215S RS-422 serial cable - 8 pin (M) to 8 pin (M) - 2.0m (6.6ft) long - For connecting Apple Macintosh with LocalTalk/serial connector



## Electronic Accessories

### Cable (Interface)

C2950A	IEEE-1284 Bi-Tronics parallel cable - DB-25 (M) connector (type A) to 36 pin Centronics (M) connector (type B) - 2.0m (6.6ft) long
5063-1256	<i>New Part for C2950A</i>
C2951A	IEEE-1284 Bi-Tronics parallel cable - DB-25 (M) connector (type A) to 36 pin Centronics (M) connector (type B) - 3.0m (9.8ft) long
C2990A	IEEE-1284 Bi-Tronics parallel cable - DB-25 (M) (type A) to 36 pin (M) Centronics (type B) - 1.8m (6ft) long NO LONGER SUPPLIED
C2991A	IEEE-1284 Bi-Tronics parallel cable - DB-25 (M) (type A) to 36 pin (M) Centronics (type B) - 3.0m (10ft) long NO LONGER SUPPLIED

### Memory (Product)

27	C6229A	4MB SIMM memory module - For DesignJet CP printer NO LONGER SUPPLIED
28	C6230A	8MB SIMM memory module - For DesignJet CP printer NO LONGER SUPPLIED
29	C6231A	16MB SIMM memory module - For DesignJet 400, 700, CP series printers NO LONGER SUPPLIED
30	C6232A	32MB SIMM memory module upgrade - For DesignJet 400, 700, CP series printers

### Memory (SIMM)

31	1818-6171	4MB EDO (Extended Data Output) DRAM SIMM memory module
32	1818-6172	8MB EDO (Extended Data Output) DRAM SIMM memory module NO LONGER SUPPLIED
33	C4723-60264	16MB, 60nS EDO (Extended Data Output) DRAM SIMM memory module

## Electronics/Power Supply

### Cable

34	C4704-60015	Carriage board trailing cable with ferrite - Three ribbon cables bundled together - 1.9m (6.3ft) long
35	C4704-60021	Hard drive power cable - Has 4 pin (F) connectors - 47.6cm (18.8 inches) long
36	C4704-60022	Ribbon cable for one IDE drive - 40 pin (F) connector to 40 pin (F) connector - 31.8cm (12.5 inches) long
37	C4704-60025	Ribbon cable assembly with ferrite - Has 28 pin (F) connectors - 1.3m (4.1ft) long

### Carriage Kit

38	C4723-69096	Carriage assembly - Includes carriage assembly, line sensor, encoder, rear bushing, calibration pen, digitizing sight, gauges - Trailing cable and cable clamp not included REQUIRES RETURN OF DEFECTIVE PART
	C4723-60096	<i>New Part for C4723-69096</i>

### Drive

39	C4724-69021	4.3GB hard disk drive REQUIRES RETURN OF DEFECTIVE PART
	C4724-60021	<i>New Part for C4724-69021</i>

### Firmware

40	C4723-69294	Firmware SIMM kit (Revision A.04.08) - Mounts in the electronics module - NOTE: this is not a postscript SIMM REQUIRES RETURN OF DEFECTIVE PART
	C4723-60294	<i>New Part for C4723-69294</i>

### Front Panel

41	C4704-60255	Front (Control) panel and cable assembly - Includes function buttons and display
----	-------------	--

### Module

42	C4723-69114	Electronics module - Includes power supply, fan, and main board REQUIRES RETURN OF DEFECTIVE PART
	C4723-60114	<i>New Part for C4723-69114</i>



## Electronics/Power Supply

### Motor

43 C4704-60040 Bail motor

### PC Board

44 C4704-60009 Refill interconnect board

### PC Board (Interface)

45 J2552-69013 LAN and LocalTalk interface - EtherTwist (10Base-T), ThinLAN (10Base-2), and LocalTalk (DIN-8) connectors

### PostScript

46 C4704-69343 PostScript SIMM kit - Version 8.1.01  
REQUIRES RETURN OF DEFECTIVE PART

C4704-60343 *New Part for C4704-69343*

### Power Cord

8120-0698 Power cord (Black) - 18 AWG, 2.3m (7.5ft) long - Has straight (F) receptacle (For 220V/240V in the USA and Canada)

8120-1378 Power cord (Jade Gray) - 18 AWG, 2.3m (7.5ft) long - Has straight (F) receptacle (For 120V in USA, Canada, Latin America, Korea, Taiwan, Thailand, Spain, Brazil, and Vietnam)

### Sensor

49 C4704-60029 Right end cover and window closed sensors - Includes cable and connector

50 C4704-60052 Pincharm sensor

51 C4704-60058 Left end cover sensor - Includes cable and connector

52 C4704-60195 Media sensor assembly - Includes, edge measuring and secondary levers, media sensor and holder

C4723-60096 Line sensor - Detects paper width and skew - Measures calibration accuracy and printhead alignment

### Switch

54 C4704-60056 Power switch - Includes cable

55 C4704-60261 Stand-by switch assembly

## External Case Parts

### Bin

56 C4704-60073 Media bin arm (Loop assembly)

C4713-60147 *New Part for C4704-60073*

### Cover

C4704-00004 MIO (Modular input/output) cover

58 C4704-00021 Top cover

59 C4704-00033 SIMM slot cover

60 C4704-40057 Electronics module left cover

61 C4704-40058 Electronics module right cover

62 C4704-60274 Electronics module cover

63 C4723-60115 Right end cover - Has cut outs for the control panel

64 C4723-60116 Left end cover

### Cross-Brace

65 C4704-60077 Cross-brace (E-size) - Main structure that extends between stand legs

### Foot

66 C4704-60086 Foot assembly (includes casters)

### Hardware Kit

67 C4704-60095 Hardware kit for printer stand - Includes screwdriver, screws, washers, and media bin retaining clips

### Holder

68 C4704-60218 Quick reference holder pocket - Holds quick reference guides and media knife



## External Case Parts

### Leg

69 C4704-60075 Leg assembly - Side support for the plotter - Does NOT include the foot assembly

### Nameplate/Logo

C4704-00121 Nameplate - HP DesignJet 2500CP

### Overlay

- C4704-60101 Front panel overlay - Shows the function of the front panel buttons and indicator lights (English)
- C4704-60102 Front panel overlay - Shows the function of the front panel buttons and indicator lights (Korean)
- C4704-60103 Front panel overlay - Shows the function of the front panel buttons and indicator lights (Taiwanese)
- C4704-60104 Front panel overlay - Shows the function of the front panel buttons and indicator lights (German)
- C4704-60105 Front panel overlay - Shows the function of the front panel buttons and indicator lights (French)
- C4704-60106 Front panel overlay - Shows the function of the front panel buttons and indicator lights (Spanish)
- C4704-60107 Front panel overlay - Shows the function of the front panel buttons and indicator lights (Italian)
- C4704-60108 Front panel overlay - Shows the function of the front panel buttons and indicator lights (Japanese)
- C4704-60109 Front panel overlay - Shows the function of the front panel buttons and indicator lights (Portuguese)
- C4704-60110 Front panel overlay - Shows the function of the front panel buttons and indicator lights (Chinese)

### Sensor

81 C4723-69071 Take-up reel sensor assembly  
REQUIRES RETURN OF DEFECTIVE PART  
C4723-60071 *New Part for C4723-69071*

### Spindle

82 C6246-60010 36-inch take-up reel spindle assembly

### Strip

83 C4704-40070 Capping strips ( E-size) - Two strips that snap together on the ends of the bin arms

### Support

- 84 C4714-60147 Media bin support (E-size) - Supports media bin arms
- 85 C4723-60072 Take-up reel left hand support assembly
- 86 C6246-60009 Take-up reel right hand support assembly

### Take-Up Reel

87 C6246A Take-up reel kit for DesignJet 2500CP/2500CP - Includes take-up reel spindle assembly, left and right take-up reel supports, take-up reel sensor assembly, empty core tubes, and media weight tubes

### Tray

88 C4704-60084 Plotter stand tray assembly - Mounted between the feet of plotter

### Tube Kit

89 C6246-60011 Media weight and core kit for the take-up reel

### Window

90 C4704-60087 Lift-up viewing window

## Optional Interfaces

### Interface (Product)

- J2552B LAN & LocalTalk interface - Has EtherTwist (10Base-T) , ThinLAN (10Base-2) , and LocalTalk (DIN-8) connectors  
NO LONGER SUPPLIED
- J2555B Token ring LAN interface board - DB-9 and RJ-45 connectors  
NO LONGER SUPPLIED
- J2590A External JetDirect LAN interface module with RJ-45 connector for EtherTwist (10Base-T) or 100VG/802.12 input and 3 parallel (DB-25) output connectors  
NO LONGER SUPPLIED
- J2591A External JetDirect LAN interface module and power module - Has EtherTwist (10Base-T) and ThinLAN (10Base-2) connectors  
NO LONGER SUPPLIED



## Optional Interfaces

### Interface (Product)

- J3264A External JetDirect 500X token ring interface module - Interfaces up to 3 parallel printers to a token ring (DB-9 or RJ-45) LAN
- J3265A External JetDirect 500X LAN interface module - Interfaces up to 3 parallel printers to an ethernet 10Base-T (RJ-45), 10Base2 (BNC), or 100Base-TX (RJ-45) LAN

### Module

- J2590-69001 External JetDirect LAN interface module with RJ-45 connector for ethertwist (10Base-T) or 100VG/802.12 input and 3 parallel (DB-25) output connectors  
REQUIRES RETURN OF DEFECTIVE PART
- J2590-61011 *New Part for J2590-69001*
- J2591-69001 External JetDirect LAN interface module with ethertwist (10Base-T) and ThinLAN (10BASE-2) connectors
- J2593-69001 External JetDirect LAN interface module with Ethertwist (10Base-T) and ThinLAN (10BASE-2) input connectors and 3 parallel (DB-25) output connectors - (part of J2593A)
- J2594-69001 External JetDirect token ring interface module with DB-9 and RJ-45 input connectors and 3 parallel (DB-25) output connectors - (part of J2594A)  
REQUIRES RETURN OF DEFECTIVE PART
- J2594-61011 *New Part for J2594-69001*

### PC Board (Interface)

- J2552-69013 LAN and LocalTalk interface - EtherTwist (10Base-T), ThinLAN (10BASE-2), and LocalTalk (DIN-8) connectors
- J2555-69013 Token ring LAN interface board - DB-9 and RJ-45 connectors

## Other Accessories

### CD-ROM (Support)

- C7769-90066 DesignJet support CD ROM - Version A.04.01 - Has product information, user's manuals, service manuals, diagnostic software, test drawings, newsletters, and service notes

### Cleaning Supplies

- C6247A DesignJet cleaning kit - Includes cleaning solution and 20 cleaning rags

### Humidor

- C6236A DesignJet CP ink system storage container - Holds printheads and printhead cleaners when not in use

### Ink System Return Kit

- 5183-5283 Return kit (Box and instructions) - For returning defective large format printer ink systems covered under CREW program

### Ink and Printhead

- C1806A Black ink system - Includes print head, print head cleaner and ink cartridge
- C1807A Cyan ink system - Includes print head, print head cleaner and ink cartridge
- C1808A Magenta ink system - Includes print head, print head cleaner and ink cartridge
- C1809A Yellow ink system - Includes print head, print head cleaner and ink cartridge
- C1892A Black UV ink system - Includes print head, print head cleaner and ink cartridge
- C1893A Cyan UV ink system - Includes print head, print head cleaner and ink cartridge
- C1894A Magenta UV ink system - Includes print head, print head cleaner and ink cartridge
- C1895A Yellow UV ink system - Includes print head, print head cleaner and ink cartridge

### Kit

- C4723-60141 Preventive maintenance kit - Contains line sensor cover, encoder strip, Y-AXIS pulley, belt, motor, cutter, silicon grease, plastic surface cleaner, synthetic oil and wipes
- C4723-60238 Adjustment kit - Includes instructions, empty cartridge, digitizing sight (magnifier) and gauge

### Lubricant

- 6040-0855 Synthetic oil - 4oz (113g) plastic bottle



Other Accessories

Manual

- 5959-9733 HP-GL/2 & HP RTL reference guide - Programming information, handbook for developers
- 5959-9734 Comparison guide for HP-GL/2 and RTL peripherals (English)

Manual Kit

- C4704-60231 C4704A DesignJet 2500CP manual kit - Includes user's guide, setup guide, quick reference guide, and assembly instructions (English)

Software

- C6072-60281 Toolbox and driver software - HP-GL/2 and RTL drivers for Windows 3.1/95/98/NT 4.0 (all DesignJets), and toolbox software for Windows 95/NT 4.0 (Only for DesignJet 430/450C/455CA/1050C/1055CM) - On 3.5-inch 1.44MB floppy disks (English)
- C6072-60284 Toolbox and driver software - HP-GL/2 and RTL drivers for Windows 3.1/95/98/NT 4.0 (all DesignJets), and toolbox software for Windows 95/NT 4.0 (Only for DesignJet 430/450C/455CA/1050C/1055CM) - On 3.5-inch 1.44MB floppy disks (German)
- C6072-60285 Toolbox and driver software - HP-GL/2 and RTL drivers for Windows 3.1/95/98/NT 4.0 (all DesignJets), and toolbox software for Windows 95/NT 4.0 (Only for DesignJet 430/450C/455CA/1050C/1055CM) - On 3.5-inch 1.44MB floppy disks (French)
- C6072-60286 Toolbox and driver software - HP-GL/2 and RTL drivers for Windows 3.1/95/98/NT 4.0 (all DesignJets), and toolbox software for Windows 95/NT 4.0 (Only for DesignJet 430/450C/455CA/1050C/1055CM) - On 3.5-inch 1.44MB floppy disks (Spanish)
- C6072-60287 Toolbox and driver software - HP-GL/2 and RTL drivers for Windows 3.1/95/98/NT 4.0 (all DesignJets), and toolbox software for Windows 95/NT 4.0 (Only for DesignJet 430/450C/455CA/1050C/1055CM) - On 3.5-inch 1.44MB floppy disks (Italian)
- C6240-60001 DesignJet 2000CP/2500CP PostScript drivers for Apple/Macintosh, Windows 3.1, Windows 95, and Windows NT (English)
- C6072-60301 HP-GL/2 driver software for AutoCAD - For DOS and Windows 3.1/95/NT 4.0 - On 3.5-inch 1.44MB floppy disks (English)
- C6072-60304 HP-GL/2 driver software for AutoCAD - For DOS and Windows 3.1/95/NT 4.0 - On 3.5-inch 1.44MB floppy disks (German)
- C6072-60305 HP-GL/2 driver software for AutoCAD - For DOS and Windows 3.1/95/NT 4.0 - On 3.5-inch 1.44MB floppy disks (French)
- C6072-60306 HP-GL/2 driver software for AutoCAD - For DOS and Windows 3.1/95/NT 4.0 - On 3.5-inch 1.44MB floppy disks (Spanish)
- C6072-60307 HP-GL/2 driver software for AutoCAD - For DOS and Windows 3.1/95/NT 4.0 - On 3.5-inch 1.44MB floppy disks (Italian)
- C6071-60368 ZEHRaster software for UNIX - Allows TIFF and JPEG printing on DesignJet 700 series, 1000 series, and CP series (Japanese)
- C7779-60040 ZEHRaster software for UNIX - Allows TIFF and JPEG printing on DesignJet 700 series, 1000 series, and CP series (Chinese)
- C7779-60041 ZEHRaster software for UNIX - Allows TIFF and JPEG printing on DesignJet 700 series, 1000 series, and CP series (English)
- C7779-60042 ZEHRaster software for UNIX - Allows TIFF and JPEG printing on DesignJet 700 series, 1000 series, and CP series (Korean)
- C7779-60043 ZEHRaster software for UNIX - Allows TIFF and JPEG printing on DesignJet 700 series, 1000 series, and CP series (Taiwanese)
- C7779-60044 ZEHRaster software for UNIX - Allows TIFF and JPEG printing on DesignJet 700 series, 1000 series, and CP series (German)
- C7779-60045 ZEHRaster software for UNIX - Allows TIFF and JPEG printing on DesignJet 700 series, 1000 series, and CP series (French)
- C7779-60046 ZEHRaster software for UNIX - Allows TIFF and JPEG printing on DesignJet 700 series, 1000 series, and CP series (Spanish)
- C7779-60047 ZEHRaster software for UNIX - Allows TIFF and JPEG printing on DesignJet 700 series, 1000 series, and CP series (Italian)



### Other Accessories

#### Spacer

C4723-60147 Spacer/media guide for the supply spindle

#### Take-Up Reel

142 C6246A Take-up reel kit for DesignJet 2000CP/2500CP - Includes take-up reel spindle assembly, left and right take-up reel supports, take-up reel sensor assembly, empty core tubes, and media weight tubes

### Other Internal Parts

#### Bushing

143 C3195-40076 Cutter bushing - Connects cutter assembly to slider rod

#### Cable

144 C4704-60024 Ribbon cable assembly - Has 28 pin (F) connectors - 23.5cm (9.3 inches) long

#### Clamp

145 C4723-40086 Trailing cable holder

#### Cutter

146 C4704-60299 Cutter assembly - Auto cutter for rollfeed paper - Only for serial prefix ESA and ESB

147 C4723-60244 Cutter assembly - Auto cutter for rollfeed paper

#### Elevator

148 C4704-60033 Elevator platform assembly - Raises and lowers ink cartridges to fill the print heads - Located on left side of plotter

#### Enclosure

149 C4704-60067 Cutter enclosure - Mounted above entry platen

#### Flag

150 C4704-40007 Service station flag - Spring loaded flag on right side of service station

#### Refill Assembly

151 C4723-60249 Refill assembly - Mounted inside the left hand cover - Includes motor and gears

#### Service Station

152 C4723-60276 Service station assembly

#### Spring

153 C4704-80009 Service station spring

#### Trim

154 C4704-60113 Right trim assembly - At right of entry platen

155 C4723-60111 Left trim assembly - At left of entry platen

### Paper Drive Parts

#### Bail

209 C4704-60329 Bail assembly - Mounting strip assembly for the starwheel mount assemblies (Not included) - Extends width of plotter

#### Bearing

210 1410-0708 Sleeve bearing - Used on left end of overdrive assembly

#### Bushing

211 C1633-40082 Pincharm spring retaining bushing

#### Cam

212 C3180-40020 Pinch arm cam - Attached to pinch arm (Media) lever

213 C3190-60149 Left cam journal - Mounted on left end of pincharm shaft

#### Gear

214 C1633-40019 Overdrive gear cluster

### Paper Drive Parts

#### Gear Assembly

215 C4705-60089 Clutch / overdrive gear assembly

#### Guard

216 C4704-60295 Starguard starwheel cover assembly

#### Lever

217 C4704-40059 Pinch arm (media) lever - Used when loading paper

#### Link

218 C4704-00025 Front wire link

#### Motor

219 C4704-60040 Bail motor

220 C4723-60303 X-AXIS motor assembly - Includes motor, belt, and worm gear - No longer supplied - Order X-AXIS motor assembly kit  
NO LONGER SUPPLIED

C4724-60053 *New Part for C4723-60303*

221 C4724-60053 X-Axis motor assembly kit - New design does not use a belt - Kit includes motor with attached worm gear, helical gear, motor mount, screws and nuts for mounting the parts, grease for the helical gear, installation instructions

#### Mount

222 C1633-40089 Overdrive mount block

#### Overdrive Assy

223 C4704-60213 Overdrive assembly - Includes overdrive shims, clutch and overdrive gear - Mounted between the left and right side plates of the plotter below bail assembly - For serial prefix E5A only

224 C4704-60281 Overdrive assembly (B) - Includes overdrive shims, clutch and overdrive gear - Mounted between the left and right side plates of the plotter below bail assembly - For serial prefix E5B only

#### Pincharm

225 C4723-60247 Pincharm Assembly - Curved black plastic plate with 4 small rubber rollers (Does NOT include spring or bushing)

#### Platen

226 C4704-60294 Entry Platen Assembly - Cover/guide that is next to the paper drive (Platen) roller

#### Roller

227 C4700-60042 Paper drive (Platen) roller assembly - Long gear driven roller - Includes roller and mark encoder

#### Sensor

228 C4704-60052 Pincharm sensor

229 C4704-60195 Media sensor assembly - Includes edge measuring and secondary levers, media sensor and holder

#### Shaft

230 C2848-60032 Pincharm shaft assembly - Includes cam journals mounted on each end

#### Spring

231 C1633-80005 Compression spring between pincharm assembly and bushing

#### Starwheel Mount

232 C4704-60143 Big starwheel mount assembly - Includes cover, body, spring and two starwheels

233 C4713-60035 Starwheel mount assembly - Includes cover, body, spring and two starwheels

#### Support

234 C4704-40026 Roller support bracket on left side plate

### Paper and Other Media

#### Canvas

C6771A Studio canvas (368 gsm) - 91.4cm (36in) x 10.7m (35ft) roll - For regular ink or UV resistant ink

C7966A Canvas with Matte finish - 61cm (24in) x 10.7m (35ft) (USA)

C7967A Canvas with Matte finish - 91.4cm (36in) x 10.7m (35ft) (USA)

Q1724A Canvas Paper (180 gsm) - 91.4cm (36in) x 10.7m (35ft) (USA)



**Paper and Other Media****Film (Matte)**

C7909A	Double Matte Eraseable Film - 61cm (24in) x 38.1m (125ft) (USA)
C7910A	Double Matte Eraseable Film - 76.2cm (30in) x 38.1m (125ft) (USA)
C7911A	Double Matte Eraseable Film - 91.4cm (36in) x 38.1m (125ft) (USA)
Q1736A	Polyester Film White Matte - 91.4cm (36in) x 15.2m (50ft) (USA)

**Paper**

C7923A	Basic Heavyweight Paper - 61cm (24in) x 30.5m (100ft) (USA and Asia/Pacific)
C7924A	Basic Heavyweight Paper - 91.4cm (36in) x 30.5m (100ft) (USA and Asia/Pacific)
C7929A	Super Heavyweight Paper - 61cm (24in) x 22.9m (75ft) (USA and Asia/Pacific)
C7930A	Super Heavyweight Paper - 91.4cm (36in) x 22.9m (75ft) (USA and Asia/Pacific)
Q1703A	Fine Art Aquarella paper - 91.4cm (36in) x 10.7m (35ft) roll (USA)
Q1706A	Fine Art Vanilla paper - 91.4cm (36in) x 10.7m (35ft) (USA)
Q1709A	Fine Art Cream paper - 91.4cm (36in) x 10.7m (35ft) roll (USA)
Q1712A	Fine Art Ice Blue paper - 91.4cm (36in) x 10.7m (35ft) (USA)
Q1715A	Fine Art Sahara paper - 91.4cm (36in) x 10.7m (35ft) roll (USA)
Q1730A	Outdoor Paper - 91.4cm (36in) x 30.5m (100ft) (USA)
Q1733A	Indoor Self Adhesive Paper - 91.4cm (36in) x 22.9m (75ft) (USA)
Q1739A	Heat Transfer Paper - 91.4cm (36in) x 30.5m (100ft) (USA)
Q1745A	Paper Backed Fabric Polyester - 91.4cm (36in) x 10.1m (33ft) (USA)
Q1748A	Paper Backed Fabric Silk Satin - 91.4cm (36in) x 10.1m (33ft) (USA)
Q1757A	Fluorescent Yellow Colored Paper - 91.4cm (36in) x 45.7m (150ft) (USA)
Q1760A	Yellow Colored Paper - 91.4cm (36in) x 45.7m (150ft) (USA)

**Paper (Backlit)**

C7960A	Backlit Reverse Print paper - 91.4cm (36in) x 22.9m (75ft) (USA)
C6778A	Colorlucet backlit UV paper - 91.4cm (36in) x 30.5m (100ft) roll - For UV (pigmented) inks ONLY

**Paper (Banner)**

C6786A	Banner paper with Tyvek (140 gsm) - UV ink only - 61cm (24in) x 15.2m (50ft) roll NO LONGER SUPPLIED
C6787A	Banner paper with Tyvek (140 gsm) - UV ink only - 91.4cm (36in) x 15.2m (50ft) roll

**Paper (Bright White)**

C1860A	Bright white InkJet paper - 61cm (24in) x 45.7m (150ft) roll
C1861A	Bright white InkJet paper - 91.4cm (36in) x 45.7m (150ft) roll
C6810A	Bright white InkJet paper - 91.4cm (36in) x 91.4m (300ft) roll

**Paper (Coated)**

C8281A	Basic Coated Paper - 61cm (24in) x 45.7m (150ft) (USA and Asia/Pacific)
C8282A	Basic Coated Paper - 91.4cm (36in) x 45.7m (150ft) roll (USA and Asia/Pacific)
C6019B	Coated paper (98 gsm) - 61cm (24in) x 45.7m (150ft) roll (USA, Canada, and Latin America)
C6021B	Heavyweight coated paper - 61cm (24in) x 30.5m (100ft) roll (USA, Canada, and Latin America) NO LONGER SUPPLIED
C6029C	Heavyweight coated paper - 61cm (24in) x 30.5m (100ft) roll - For regular or UV resistant ink
C6020B	Coated paper (98 gsm) - 91.4cm (36in) x 45.7m (150ft) roll (USA, Canada, and Latin America)
C6022B	Heavyweight coated paper - 91.4cm (36in) x 30.5m (100ft) roll (USA, Canada, and Latin America) NO LONGER SUPPLIED
C6030C	Heavyweight coated paper - 91.4cm (36in) x 30.5m (100ft) roll - For regular or UV resistant ink



## Paper and Other Media

### Paper (Fabric)

Q1742A Matte Cotton Fabric print media (190 gsm) - 91.4cm (36in) x 10.1m (33ft) (USA)

### Paper (Glossy)

C8315A High Gloss Photo Paper - 61cm (24in) x 30.5m (100ft) (USA and Asia/Pacific)

C8316A High Gloss Photo Paper - 91.4cm (36in) x 30.5m (100ft) (USA and Asia/Pacific)

C6025A High gloss photo paper - 61cm (24in) x 30.5m (100ft) roll (USA, Canada, and Latin America)

C6026A High gloss photo paper - 91.4cm (36in) x 30.5m (100ft) roll (USA, Canada, and Latin America)

### Paper (Photo)

C7946A Photo Paper RC Matte - 91.4cm (36in) x 30.5m (100ft) (USA)

C8310A Basic Photo Satin paper - 61cm (24in) x 30.5m (100ft) (USA and Asia/Pacific)

C8311A Basic Photo Satin paper - 91.4cm (36in) x 30.5m (100ft) (USA and Asia/Pacific)

### Paper (Poster)

C7949A Outdoor Billboard Paper - Blue back - 91.4cm (36in) x 30.5m (100ft) (USA)

### Paper (Satin)

C7952A Proofing Paper RC Satin - 91.4cm (36in) x 30.5m (100ft) (USA)

### Paper (Semi-Glossy)

C6023A Semi-gloss photo paper - 61cm (24in) x 30.5m (100ft) roll (USA, Canada, and Latin America)

C6782A Paper based semi-gloss media - 61cm (24in) x 30.5m (100ft) roll  
NO LONGER SUPPLIED

C6024A Semi-gloss photo paper - 91.4cm (36in) x 30.5m (100ft) roll (USA, Canada, and Latin America)

C6783A Paper based semi-gloss media - 91.4cm (36in) x 30.5m (100ft) roll  
NO LONGER SUPPLIED

## Roll Feed Parts

### Brake/Housing

235 C4704-60199 Brake/housing assembly (on right side) - Accepts the flange end of the spindle rod assembly - Includes the 2 housing pieces, 2 brake shoes, brake gear, brake lever, and springs

### Cover

236 C4704-60312 Rollfeed access cover - Opens forward to allow access to paper spindle assembly

### End Cap

237 C2858-40043 Spindle end cap (small) (or core spacer) - Removes for loading the media roll

### Housing

238 C4704-60082 Housing assembly (on left side)

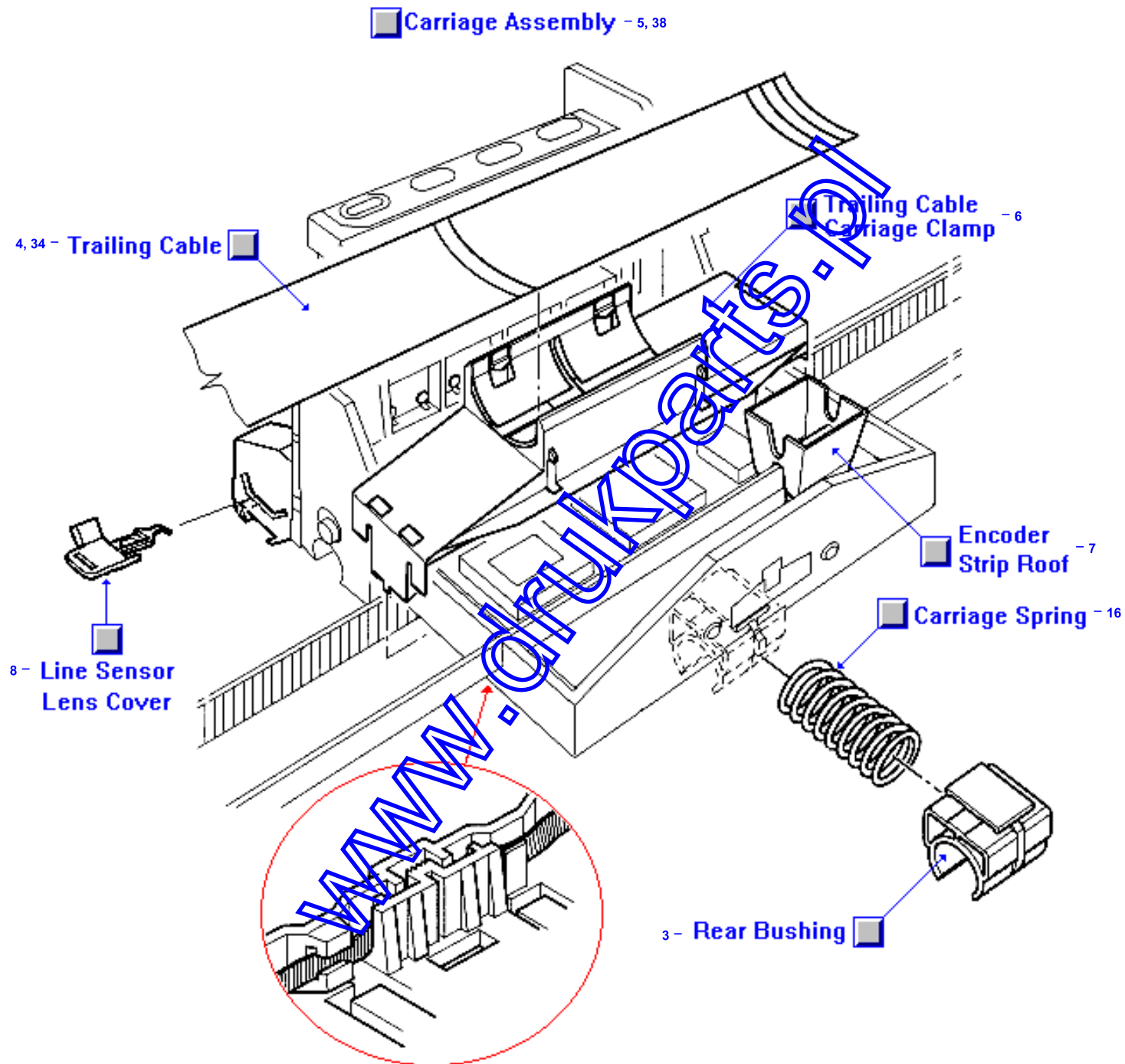
### Spindle

239 C4704-60317 Rollfeed spindle rod assembly - Includes flange and core spindle spacer

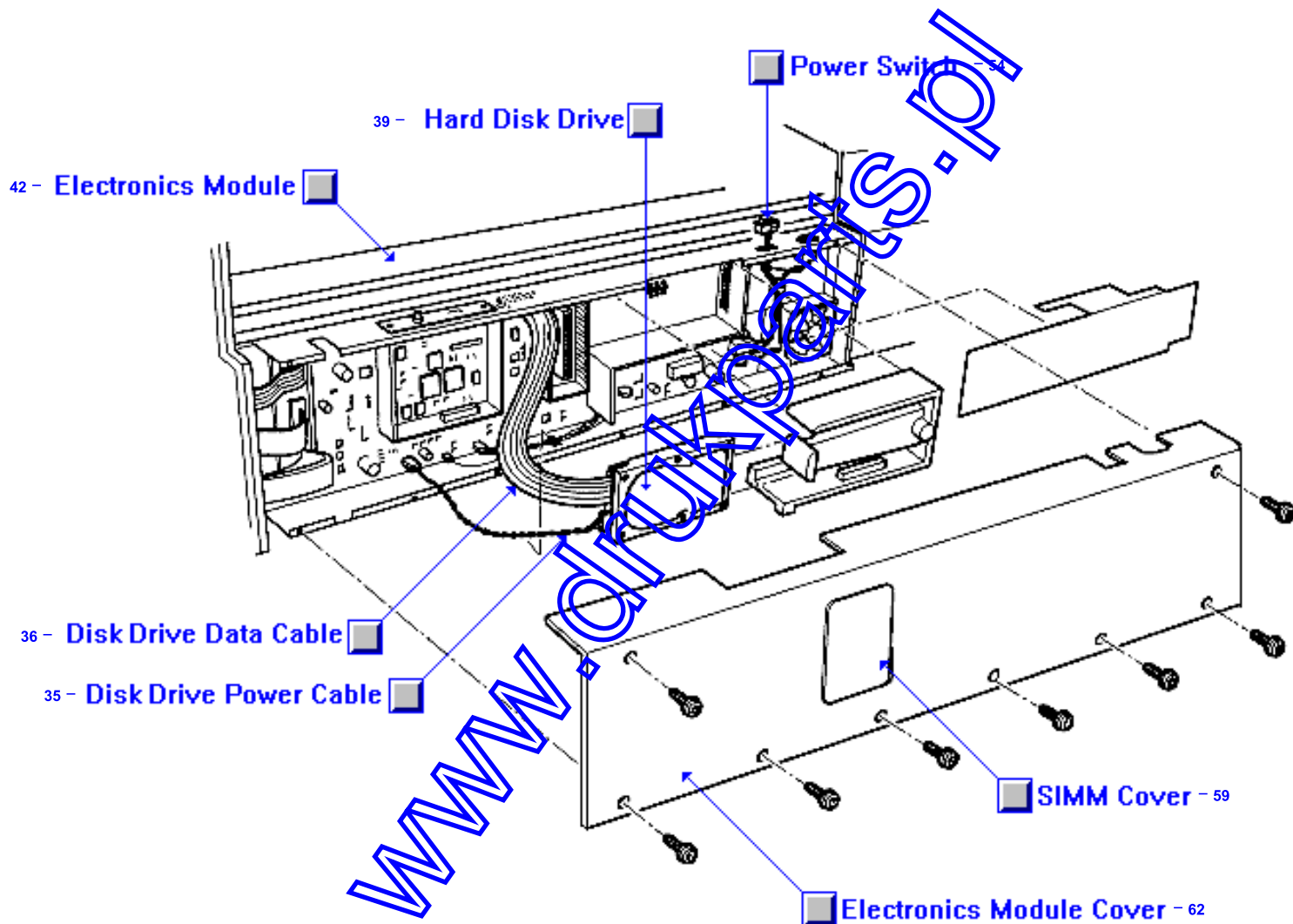
### Spring

240 C1633-80004 Extension spring - Holds the rollfeed access cover closed

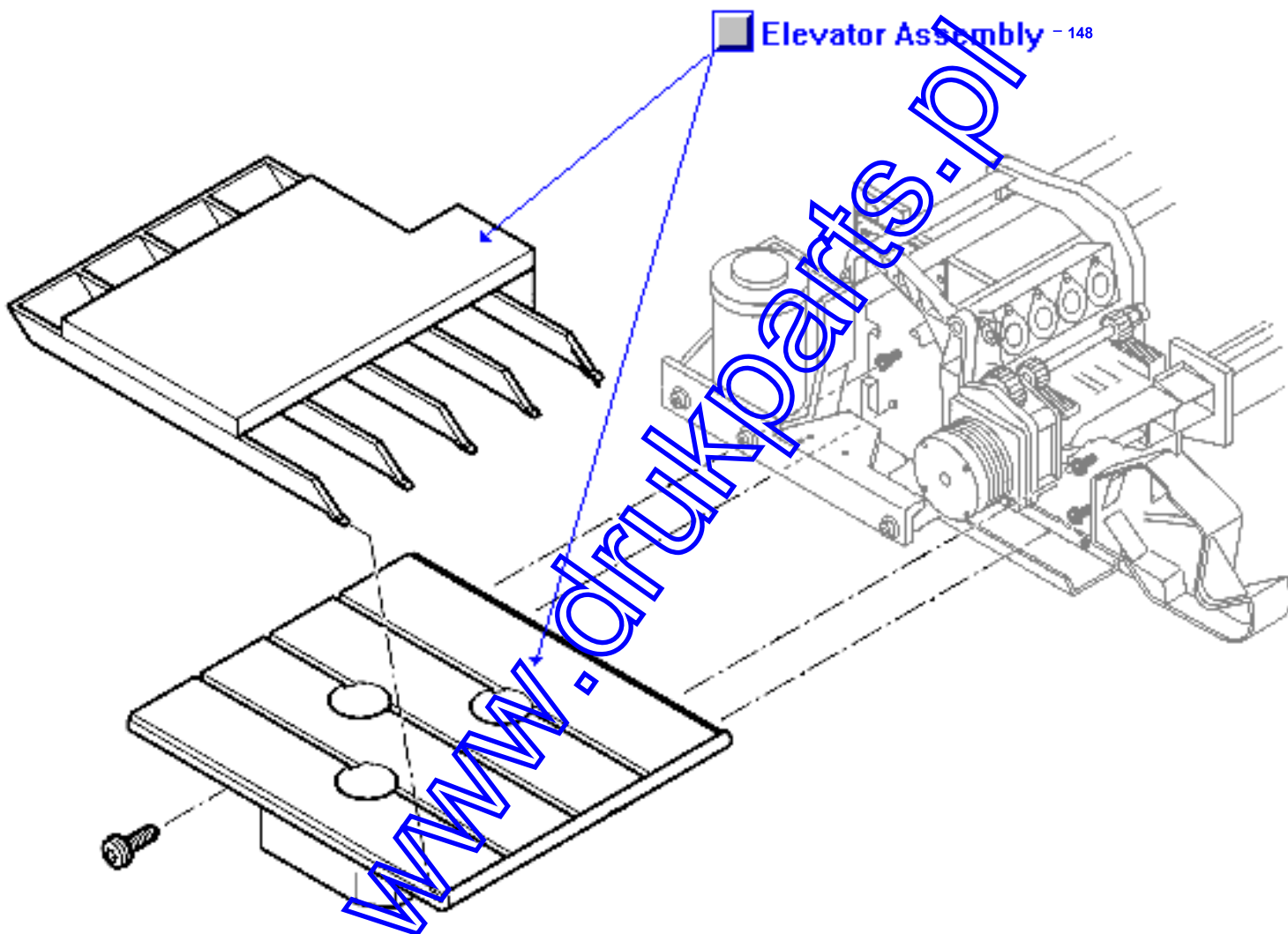
Carriage Assembly



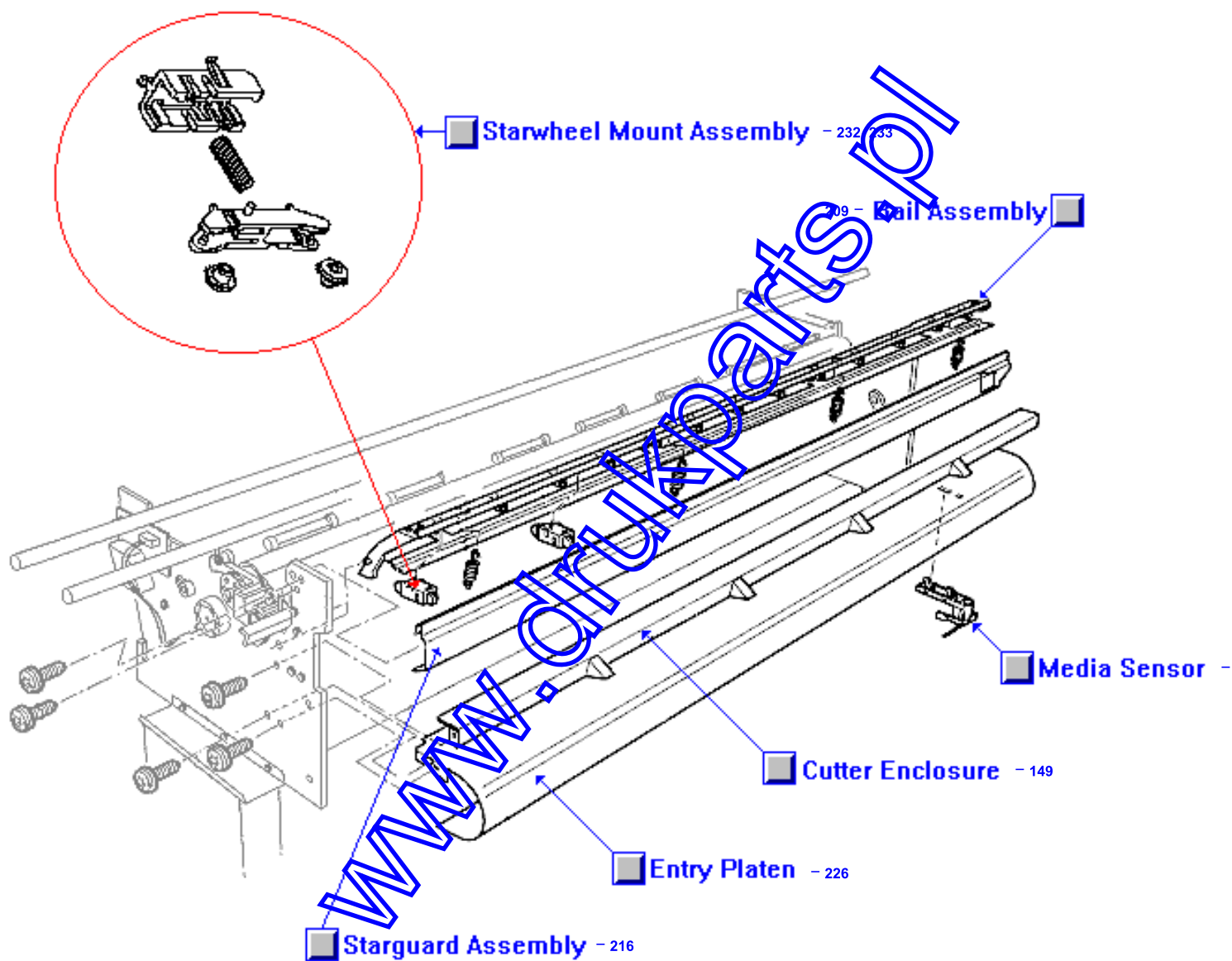
Electronics Module



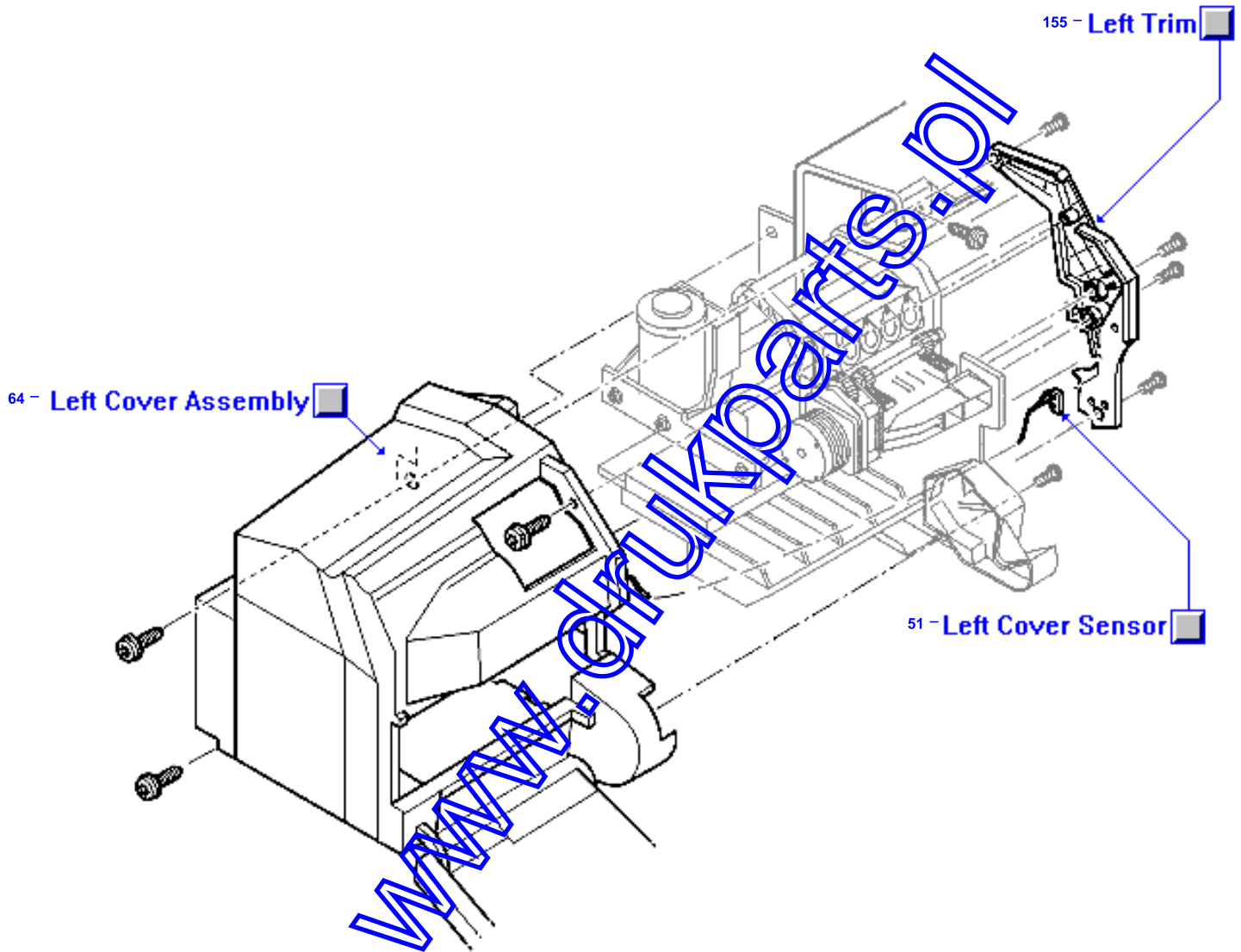
Elevator Assembly



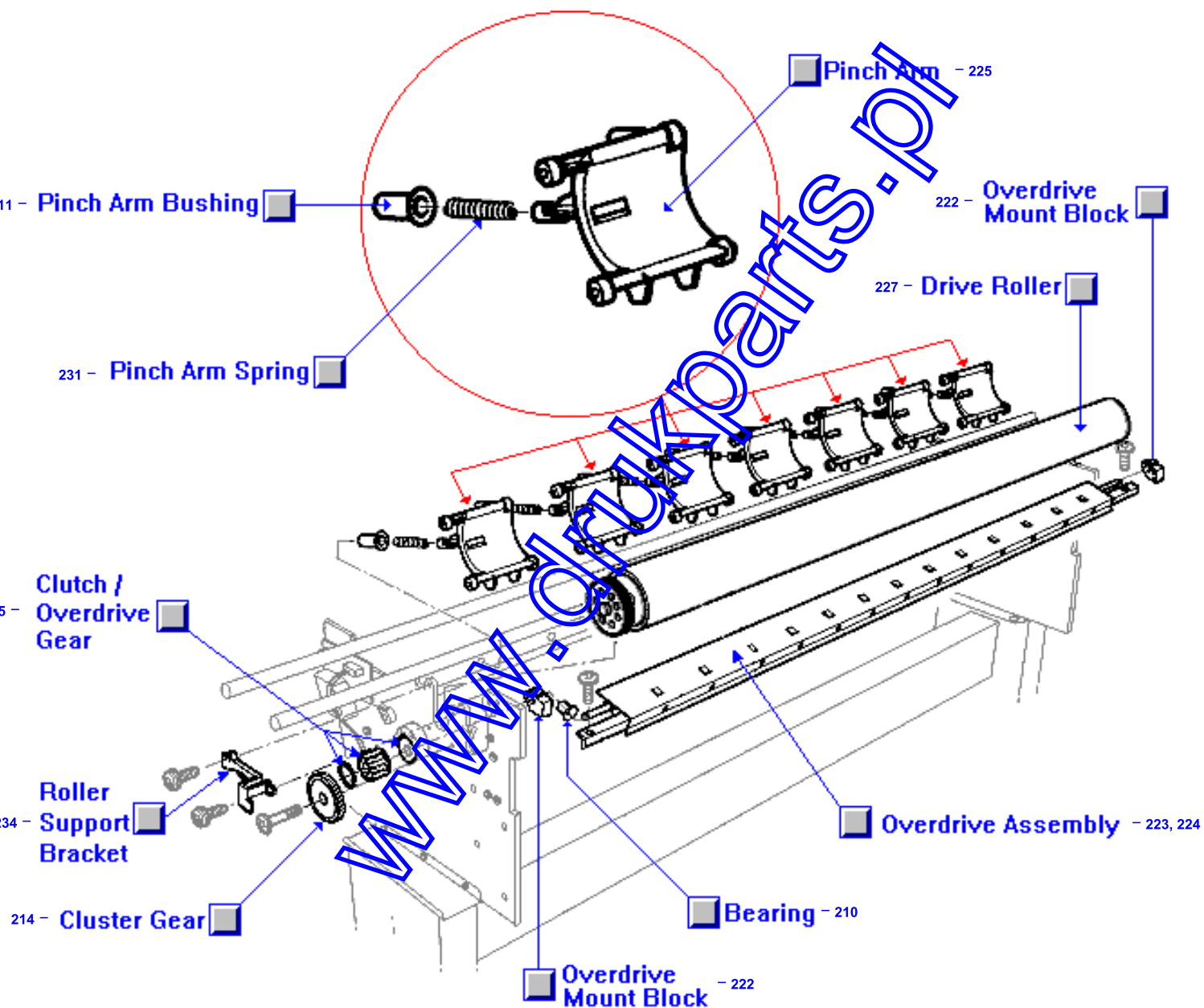
Entry Platen Area



Left Hand Cover Area

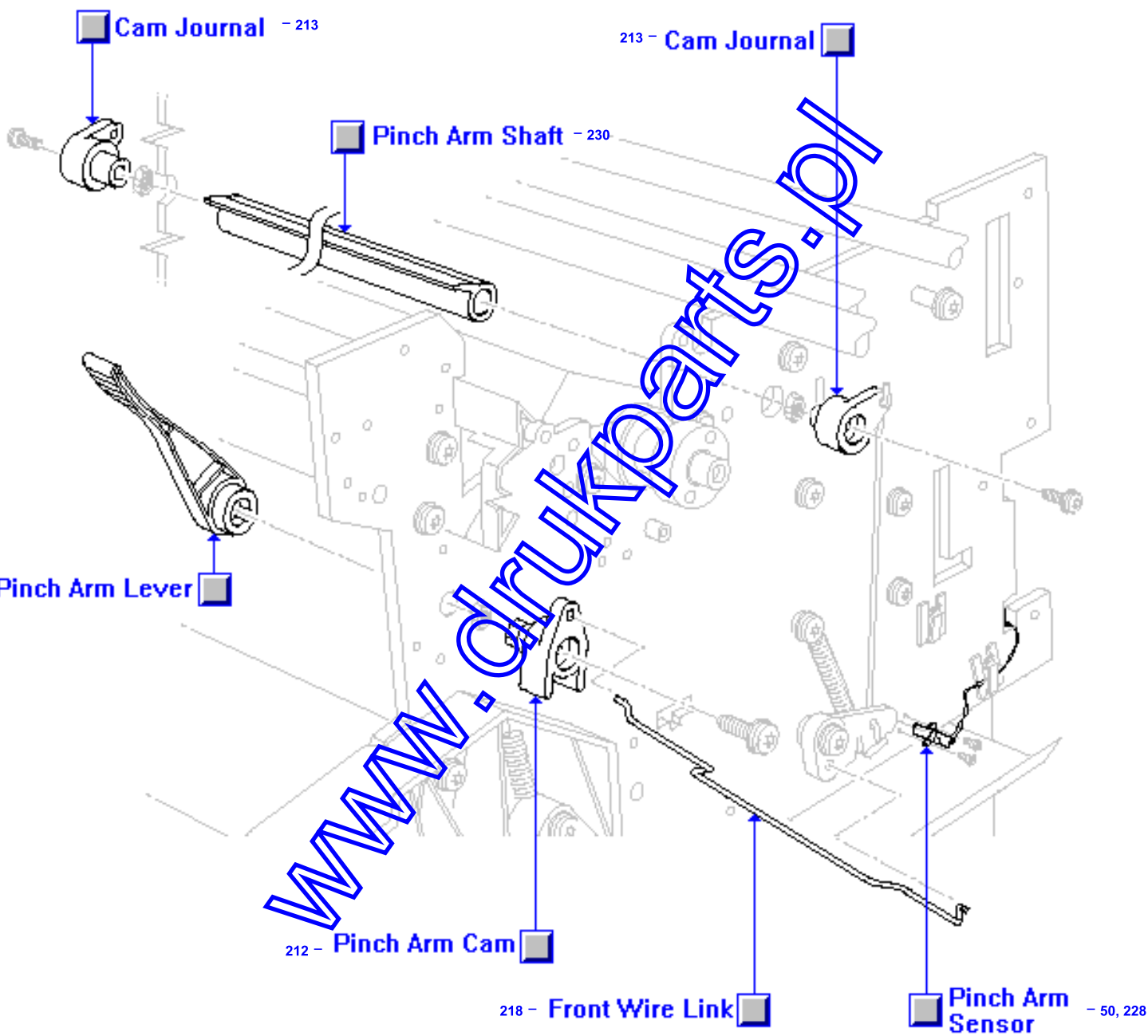


Paper Drive Roller Area

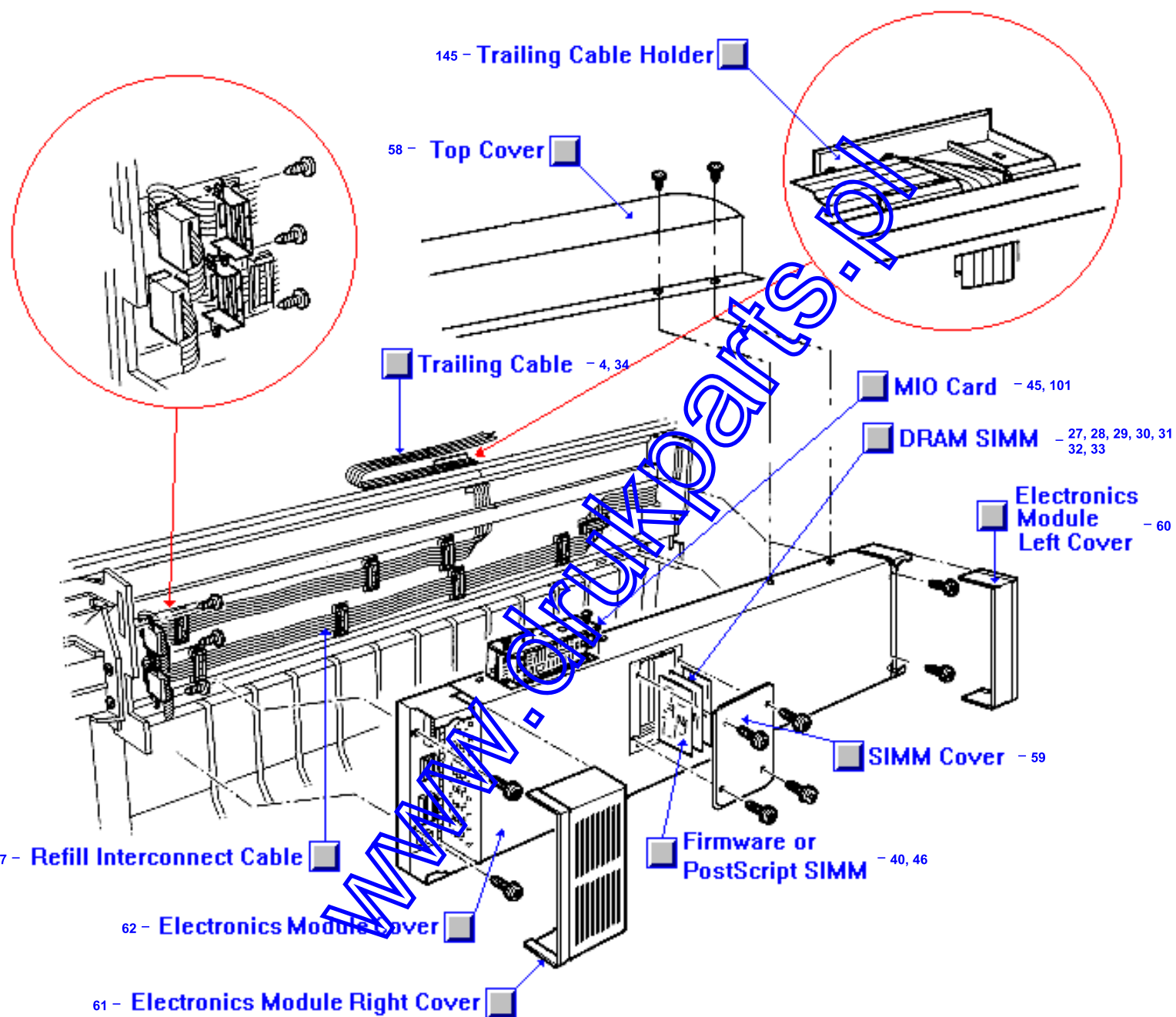




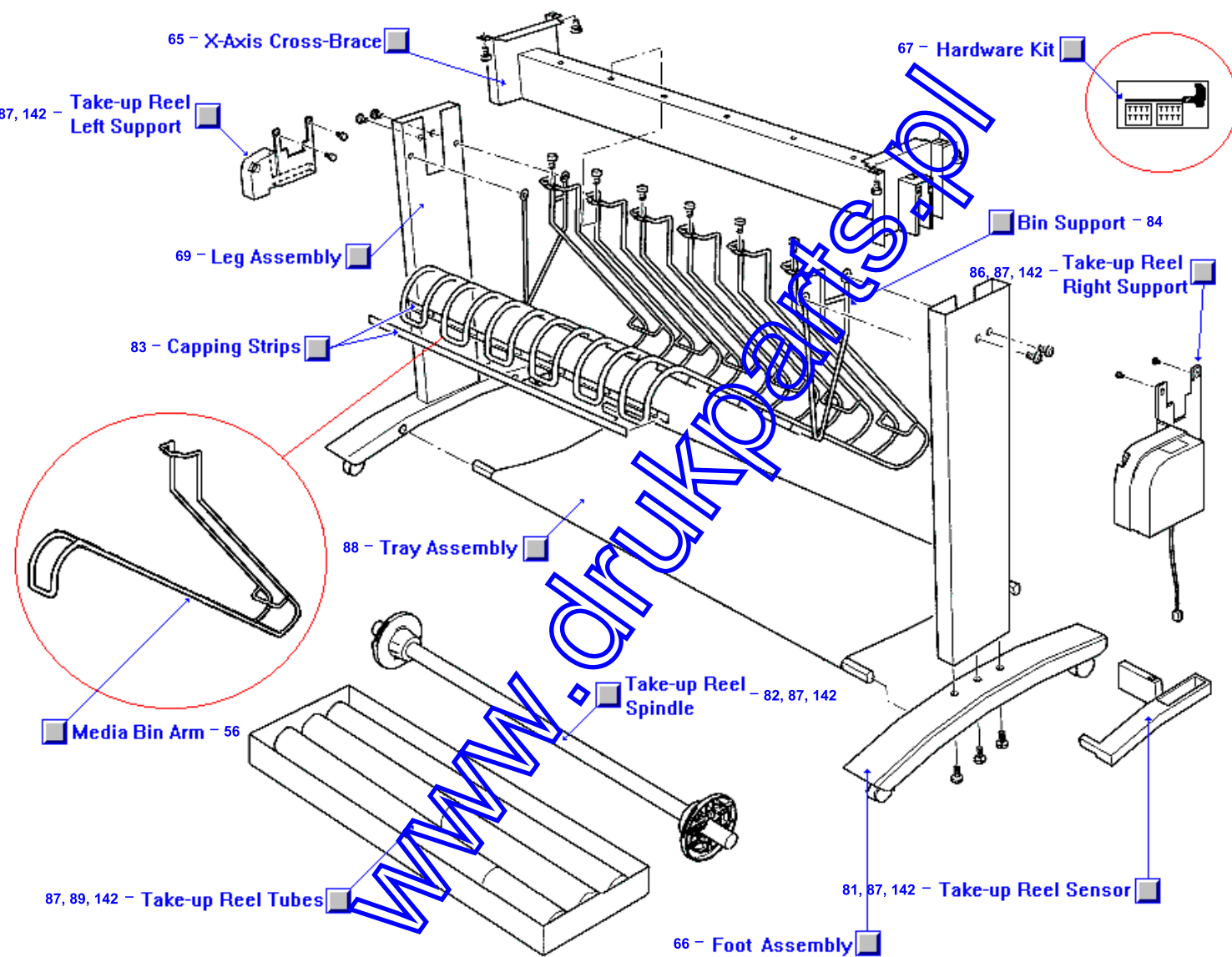
Pinch Arm Assembly



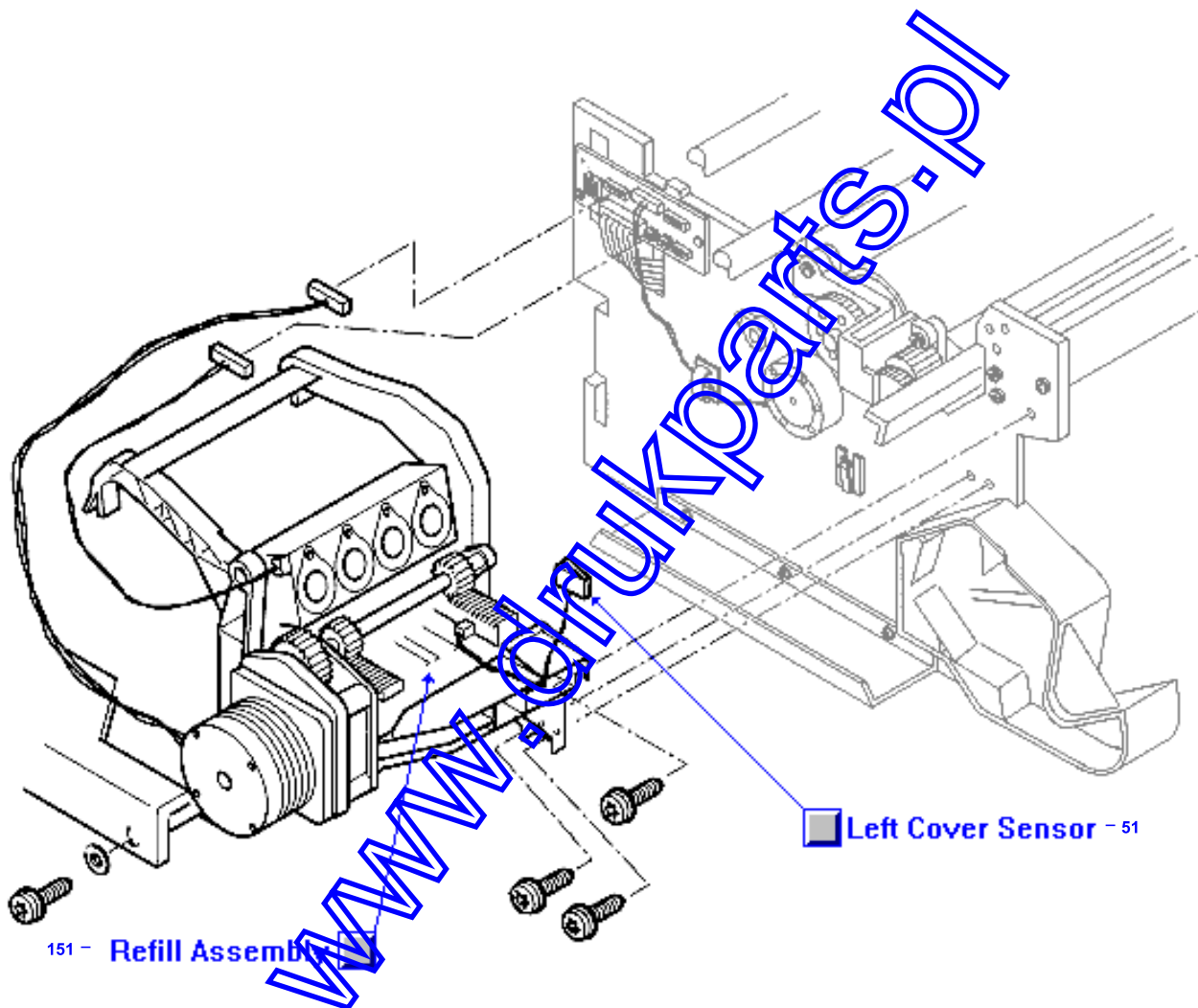
Printer Rear



Printer Support

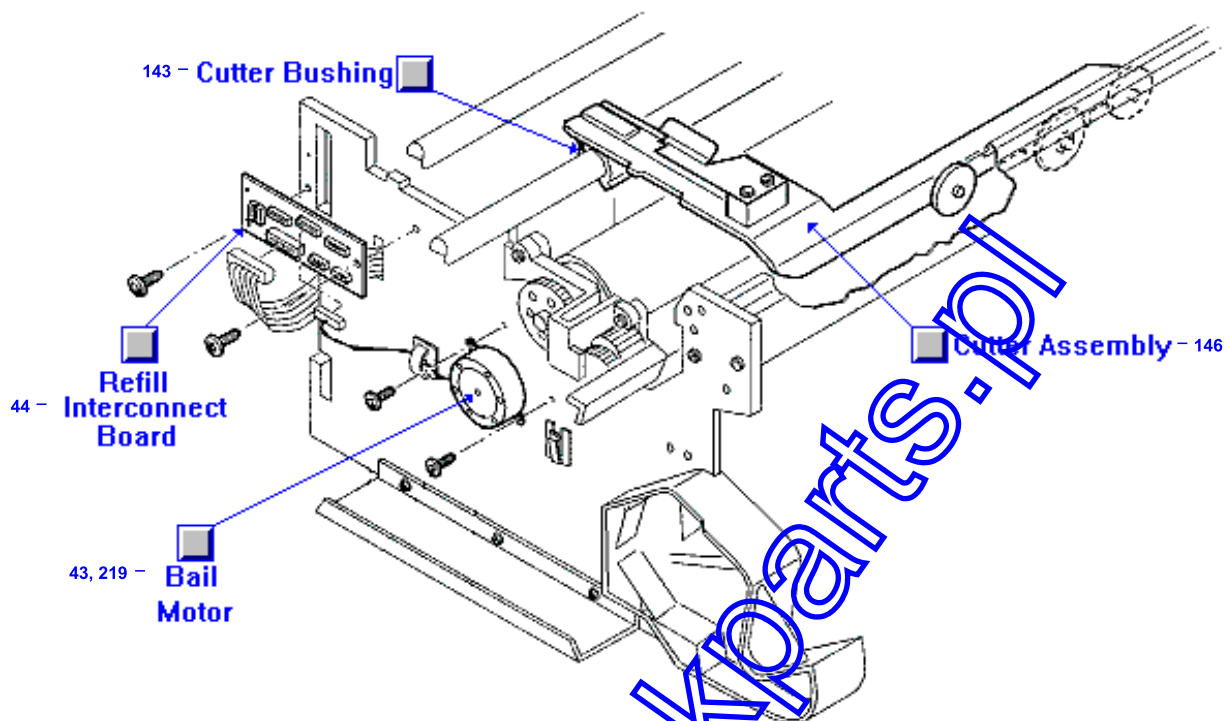


Refill Assembly

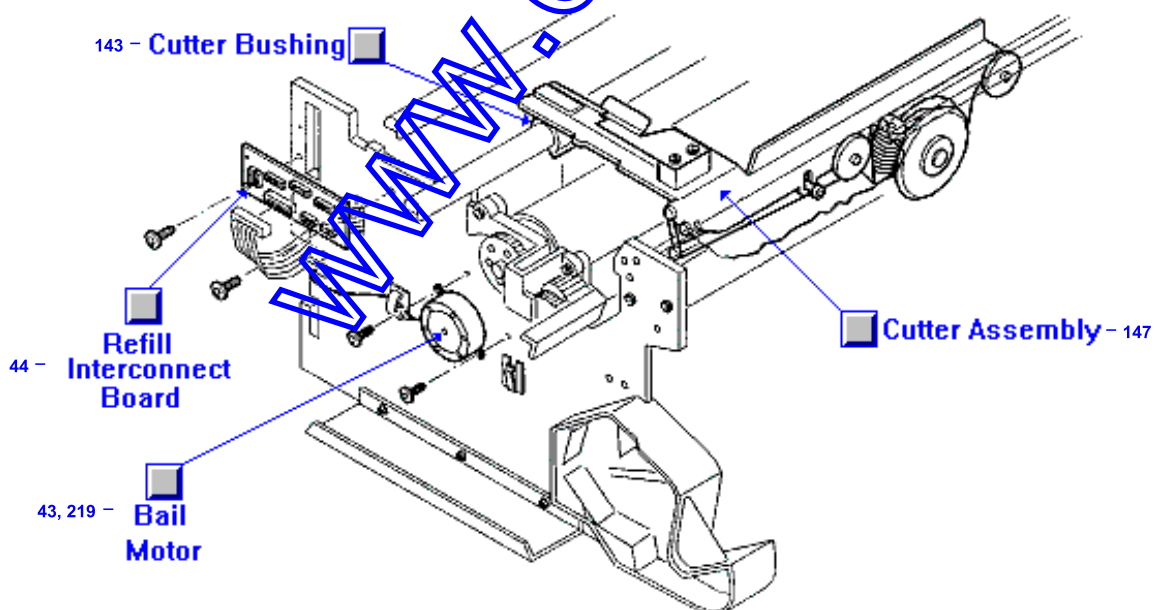


Refill Interconnect Board, Bail Motor and Cutter Assembly

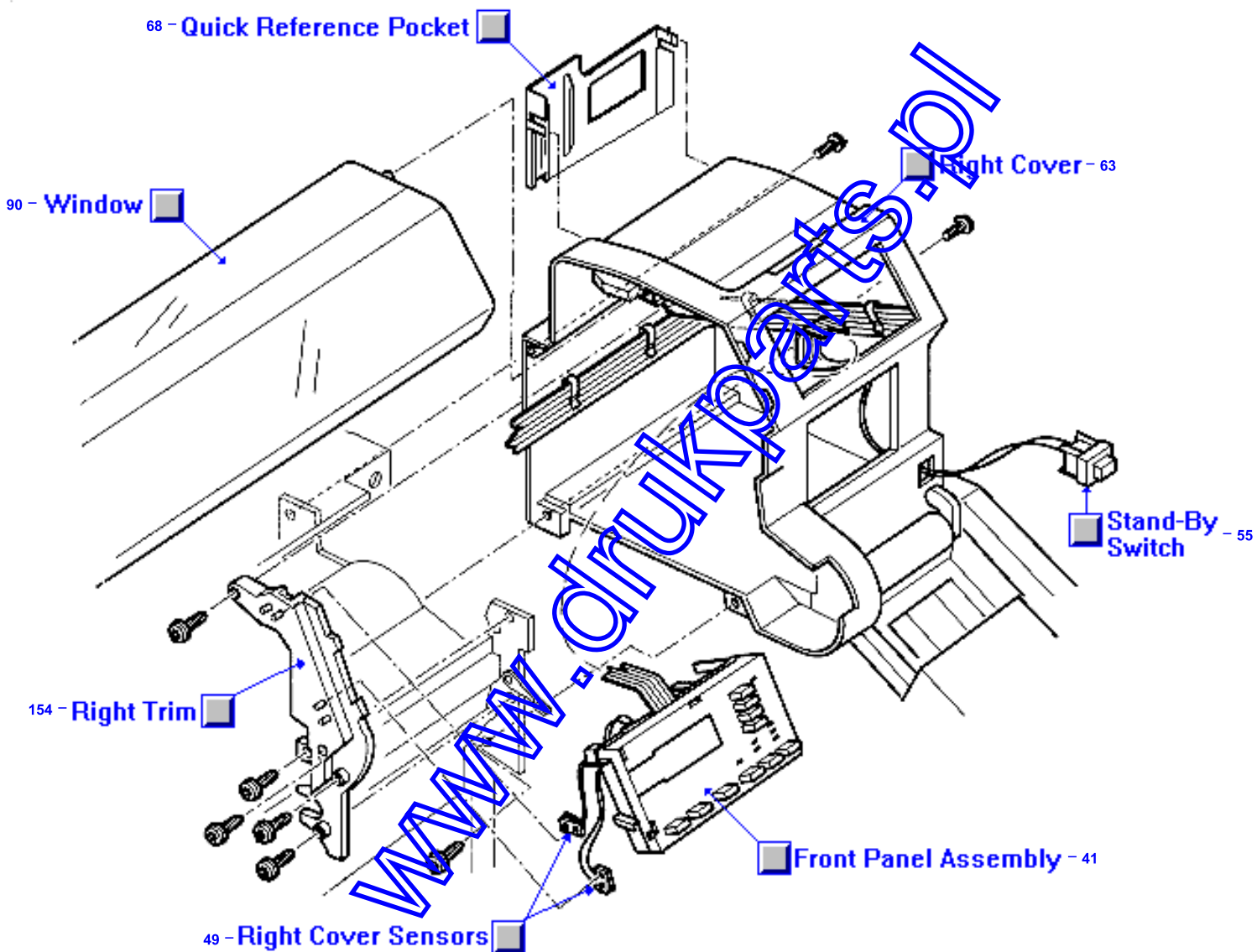
**Serial Prefix ESA and ESB**



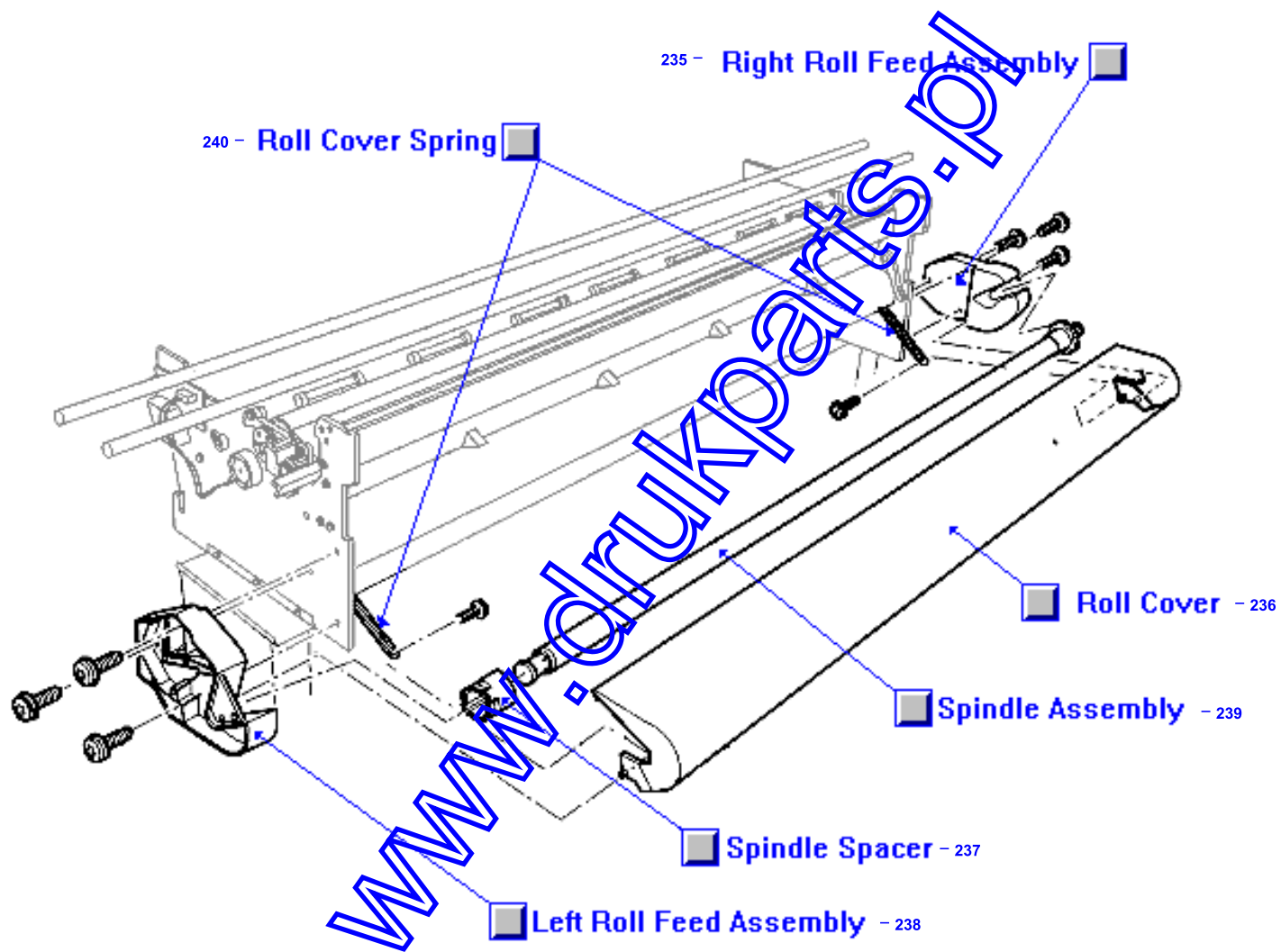
**Serial Prefix ESC**



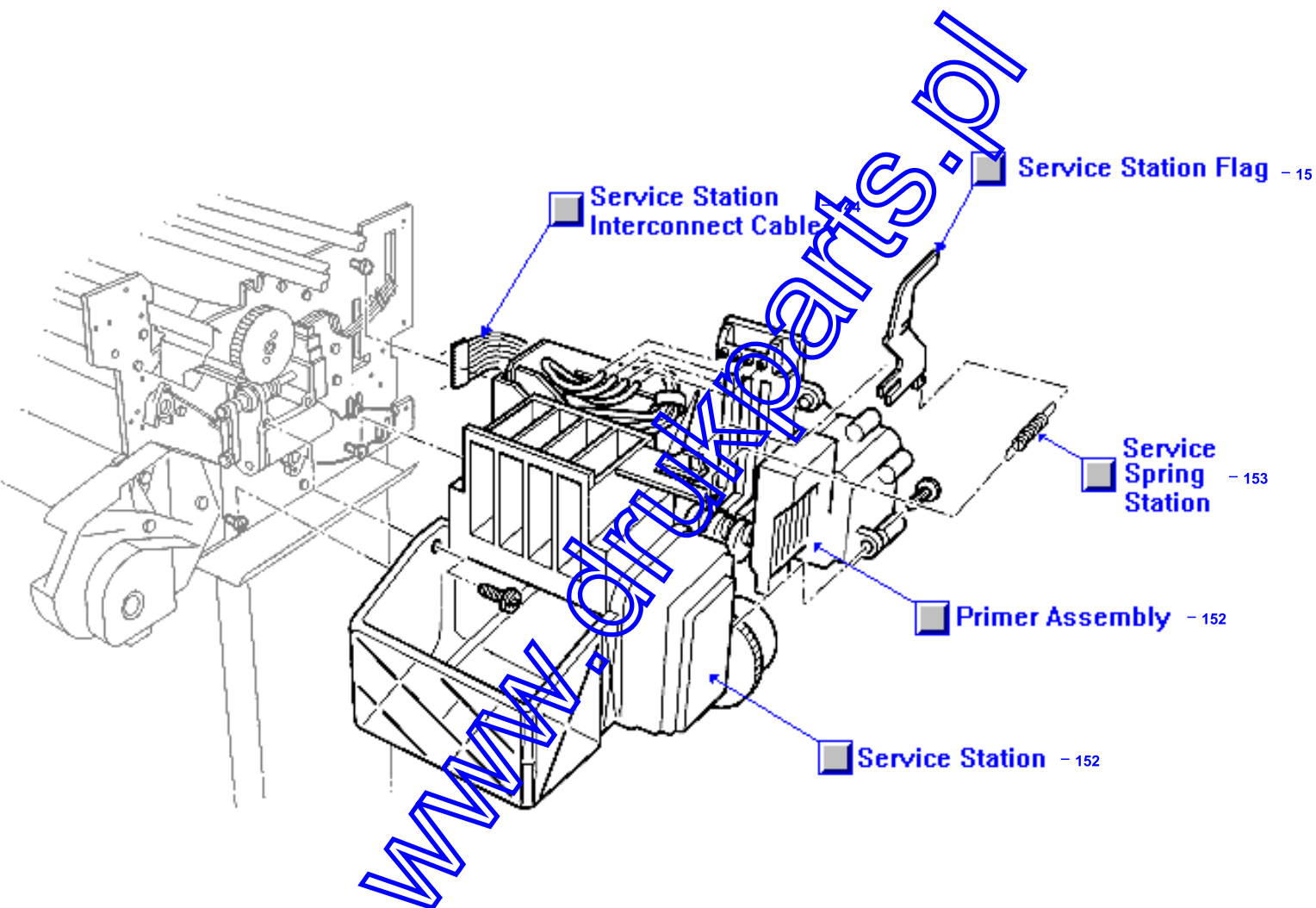
Right Hand Cover Area



Roll Cover Area

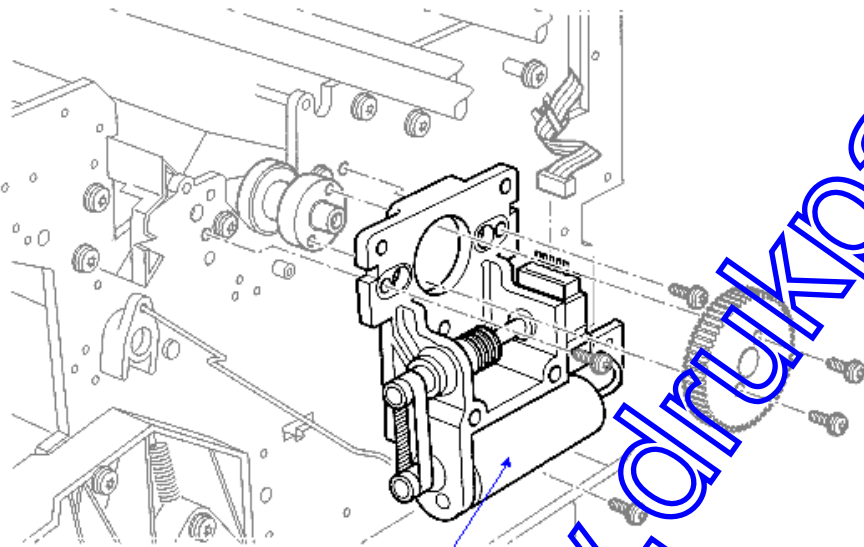


Service Station Assembly

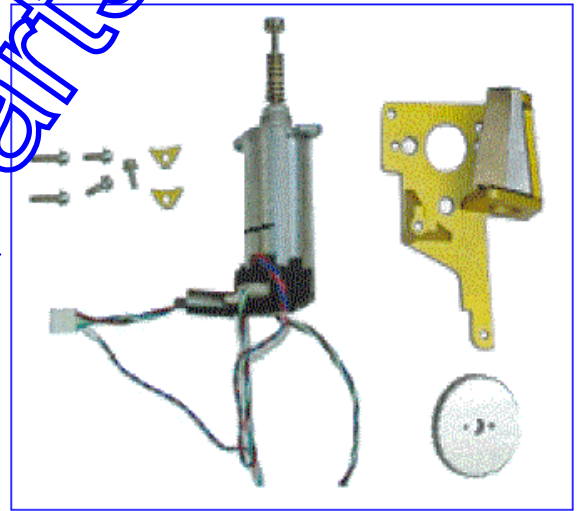




X-Axis Motor Assembly



220, 221 - X-Axis Motor Assembly  
[Old Style]



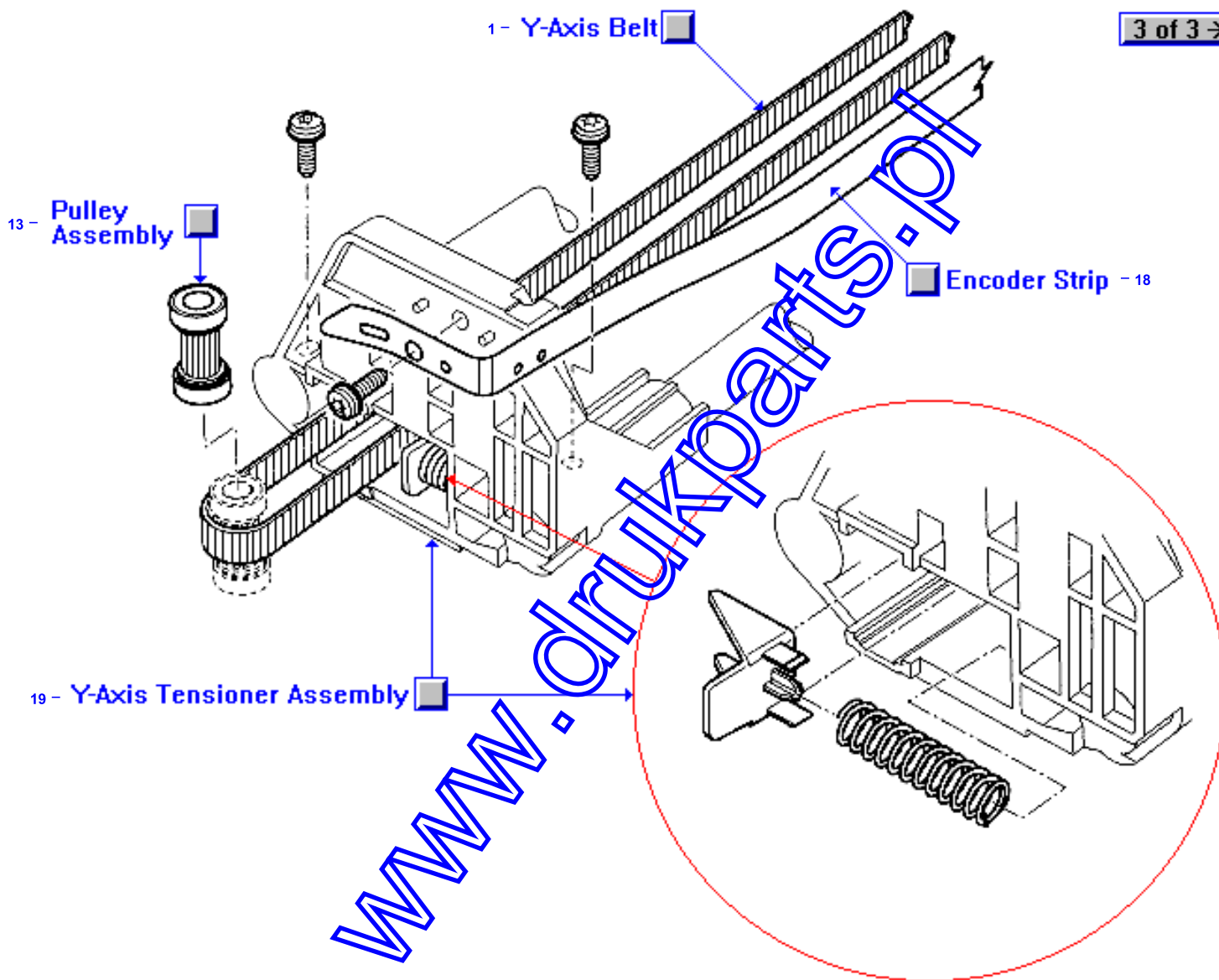
220, 221 - X-Axis Motor Replacement Kit  
[New Style]

www.drukparts.pl

Y-Axis Assembly (1 of 3) Belt, Tensioner, Pulley and Encoder

2 of 3 →

3 of 3 →

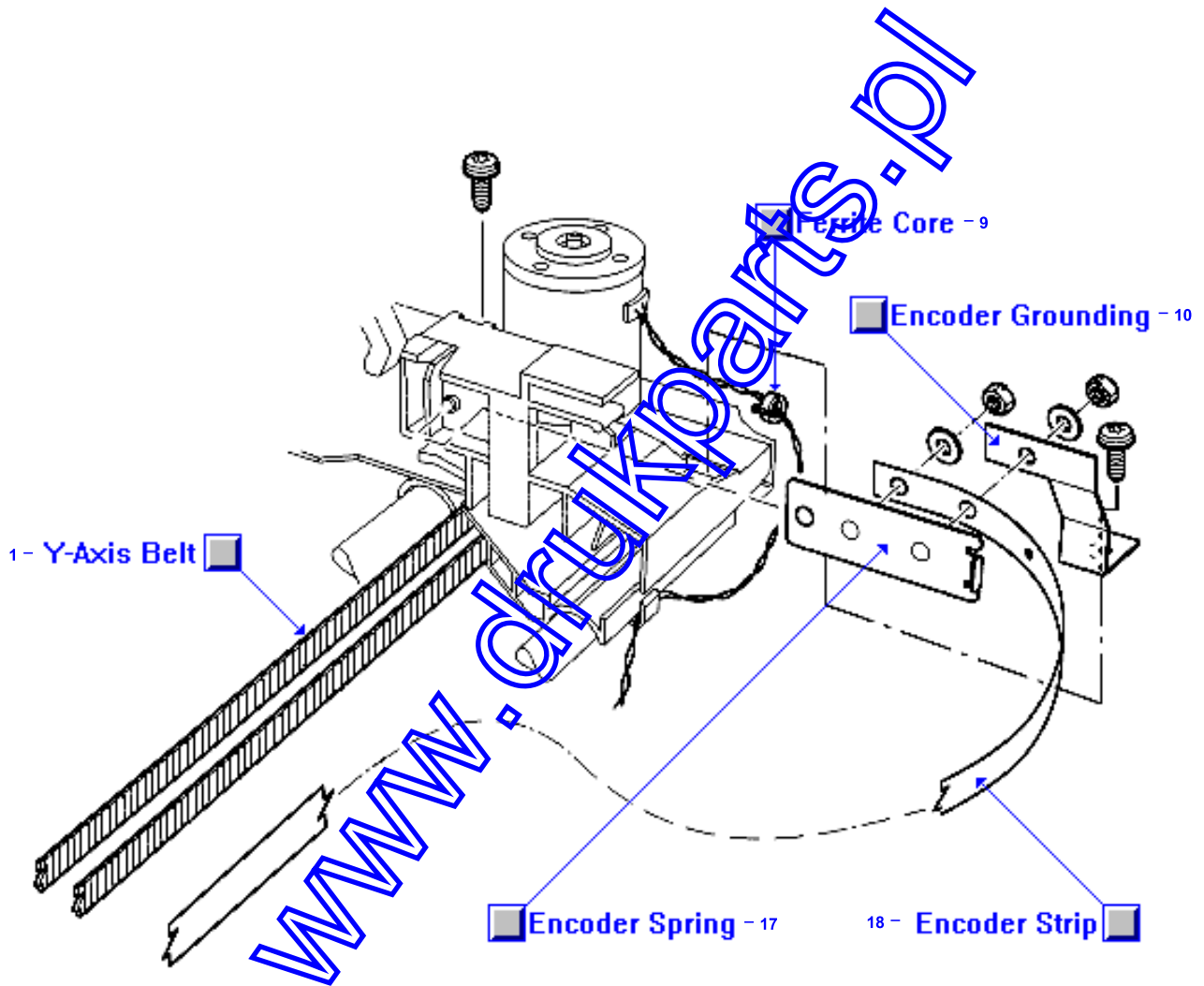


REAR VIEW

Y-Axis Assembly (2 of 3) Belt, Encoder Strip, Hardware

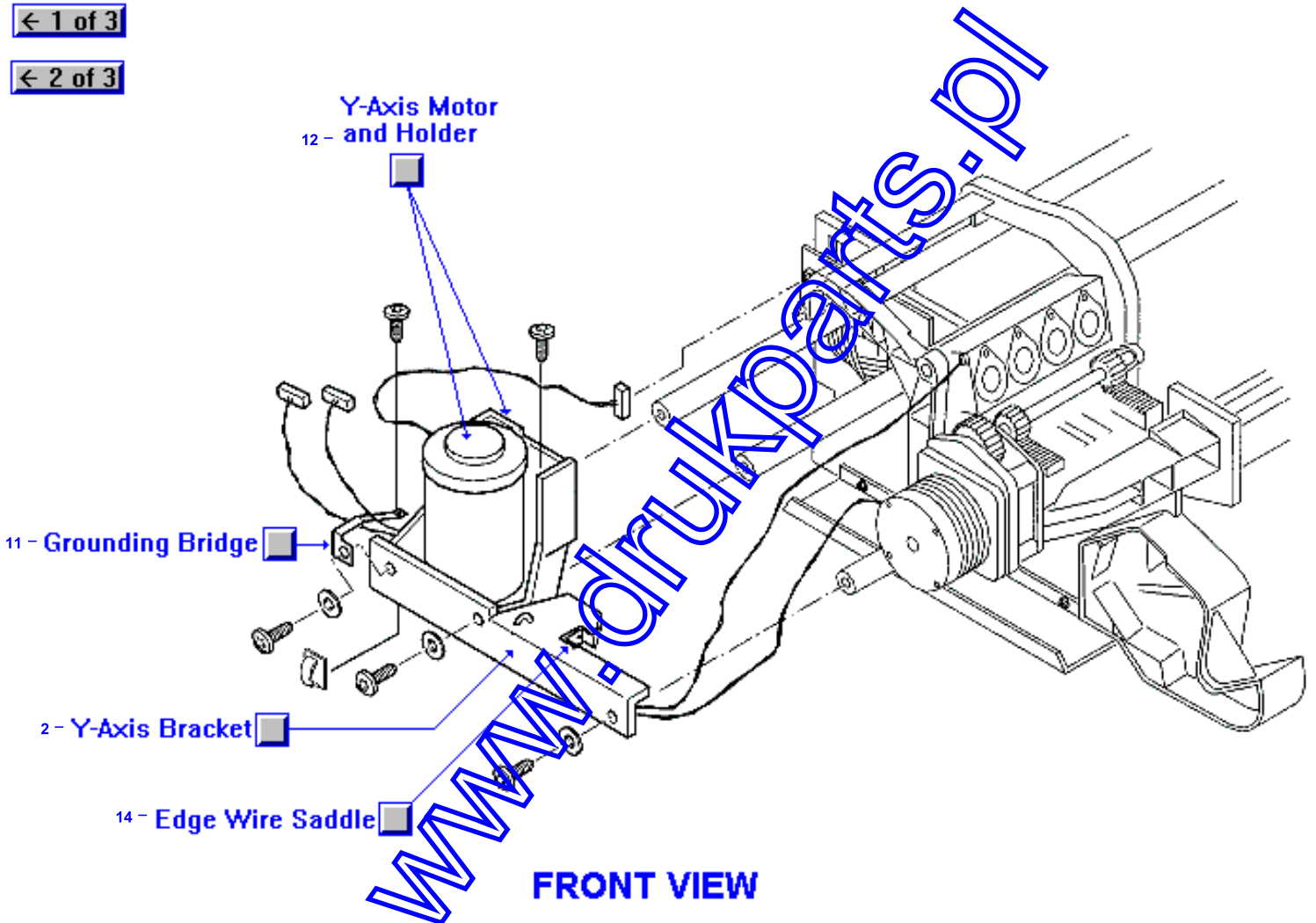
← 1 of 3

3 of 3 →



REAR VIEW

Y-Axis Assembly (3 of 3) Motor and Hardware





**HP Parts Reference Guide**

<http://www.hp.com/go/parts>

**HP PartSurfer**

<http://partsurfer.hp.com>

**HP Parts Ordering Information**

<http://www.hp.com/go/hpparts>

**HP Parts Questions/Comments**

<http://partsurfer.hp.com/contactus.htm>

[www.drukparts.pl](http://www.drukparts.pl)