

Electrical/Electronic

Cable

1	C7790-60204	Front panel cable - Connects the front panel to the main logic PC board
2	C7791-60213	Motor harness - Connects to the carriage motor
3	C7791-60214	Encoder harness
4	C7791-60231	Duplexer OOP sensor harness

Front Panel

5	C7791-60141	Front panel assembly
---	-------------	----------------------

Sensor

6	C7790-60119	Door sensor assembly - Senses when the access door is opened or closed
---	-------------	--

Electronics/Power Supply

PC Board

7	C7791-60132	Main logic PC board module - PC board is housed inside this metal chassis
	C7796-60016	Main logic PC board module - PC board is housed inside this metal chassis

Power Cord

	8120-6798	Power cord (Flint Gray) - 18 AWG, 2.3m (7.5ft) long - Has straight (F) receptacle (For 100V in Japan)
	8120-6810	Power cord (Flint Gray) - 2.3m (7.5ft) long - Has straight (F) receptacle (For 240V operation in Australia, New Zealand)
	8120-6811	Power cord (Flint Gray) - 17 AWG, 2.3m (7.5ft) long - Has straight (F) receptacle (For 220V in Europe, Saudi Arabia, South Africa, India, and Korea)
	8120-6812	Power cord (Flint Gray) - 18 AWG, 2.3m (7.5ft) long - Has straight (F) receptacle (For 120V in the USA, Canada, Mexico, Philippines, and Taiwan)
	8120-6813	Power cord (Flint Gray) - 17 AWG, 2.3m (7.5ft) long - Has straight (F) receptacle (For 220V in South Africa, Saudi Arabia, and India)
	8120-6814	Power cord (Flint Gray) - 17 AWG, 2.3m (7.5ft) long - Has straight (F) receptacle (For 220V in Denmark)
	8120-6815	Power cord (Flint Gray) - 17 AWG, 2.3m (7.5ft) long - Has straight (F) receptacle (For 220V in Switzerland)
	8120-6869	Power cord (Flint Gray) - 2.3m (7.5ft) long, 3-wire - Has straight (F) receptacle (For 220V in Argentina)
	8120-8705	Power cord (Mint Gray) - 17 AWG, 2.3m (7.5ft) long - Has straight (F) receptacle (For 240V in the UK, Hong Kong, Singapore, and Malaysia)
	8120-8707	Power cord (Flint Gray) - 17 AWG, 2.3m (7.5ft) long - Has straight (F) receptacle (For 220V in China)
	8120-8871	Power cord (Black) - 17 AWG, 2.3m (7.5ft) long - Has straight (F) receptacle (For 220V in Thailand, Cambodia, Vietnam, and the Philippines)

Power Supply

20	C7790-60091	Worldwide input power supply module - 100V - 240V, 68W 50/60Hz - Includes fan
----	-------------	---

External Case Parts

Cover

21	C7791-60137	Left cover assembly - Houses the control panel
22	C7791-60138	Right cover assembly - Houses the ink supply station and service station
23	C7791-60216	Rear trim kit - Attaches to the rear of the printer on either side of the back/center cover (two used)
24	C7791-60256	Back/center cover - Covers the back and center of the printer and is located under the access door

Door

25	C7790-60106	Printhead door assembly - Provides access to the printheads - Includes ink cartridge door hinge
26	C7791-60127	Rear cleanout door assembly - Used to remove paper jams
27	C7791-60130	Ink cartridge door - Provides access to the ink cartridges - DesignJet 120 ONLY
28	C7791-60139	Access door - Covers the top of the printer and provides access to the printheads and carriage



Other Accessories

Cartridge

C4836AA	No. 11 standard capacity Cyan ink cartridge (holds 28cc's of ink) - Prints approximately 1750 pages at 5% density per color (Asia/Pacific)
C4836AE	No. 11 standard capacity Cyan ink cartridge (holds 28cc's of ink) - Prints approximately 1750 pages at 5% density per color (Europe)
C4836AL	No. 11 standard capacity Cyan ink cartridge (holds 28cc's of ink) - Prints approximately 1750 pages at 5% density per color (Latin America)
C4836AN	No. 11 standard capacity Cyan ink cartridge (holds 28cc's of ink) - Prints approximately 1750 pages at 5% density per color (USA)
C4837AA	No. 11 standard capacity Magenta ink cartridge (holds 28cc's of ink) - Prints approximately 1750 pages at 5% density per color (Asia/Pacific)
C4837AE	No. 11 standard capacity Magenta ink cartridge (holds 28cc's of ink) - Prints approximately 1750 pages at 5% density per color (Europe)
C4837AL	No. 11 standard capacity Magenta ink cartridge (holds 28cc's of ink) - Prints approximately 1750 pages at 5% density per color (Latin America)
C4837AN	No. 11 standard capacity Magenta ink cartridge (holds 28cc's of ink) - Prints approximately 1750 pages at 5% density per color (USA)
C4911A	No.82 standard capacity cyan ink cartridge (69ml ink)
C4912A	No.82 standard capacity magenta ink cartridge (69ml ink)
C4913A	No.82 standard capacity yellow ink cartridge (69ml)
C5016A	No.84 black ink cartridge (69ml)
C5017A	No.84 light cyan ink cartridge (69ml)
C5018A	No.84 light magenta ink cartridge (69ml)

Hardware Kit

Q1246-60013	Hardware kit - Contains various tools and screws to assemble the stand assembly
-------------	---

Printhead

C4810A	No. 11 Black ink printhead
C4811A	No. 11 Cyan ink printhead
C4812A	No. 11 Magenta ink printhead
C4813A	No. 11 Yellow ink printhead
C5019A	No.84 black printhead
C5020A	No.84 light cyan printhead
C5021A	No.84 light magenta printhead

Spindle

Q1264A	DesignJet 100 series spindle accessory - Japan Only
--------	---

Stand

Q1246A	DesignJet 100 series printer stand & media bin
--------	--

Other Internal Parts

Absorber

53	C7790-60144	ISS rear absorber foam - Absorbs excess ink during the cleaning process - Larger of two
54	C8109-67022	ISS bottom absorber foam - Absorbs excess ink during the cleaning process - Smaller of two

Filter

55	C7790-60146	Filter Assembly - Located inside the right cover assembly
	C7790-60295	<i>New Part for C7790-60146</i>

Ink Supply Station

56	C7790-60089	Ink supply station assembly - Holds the ink cartridges and pumps ink out to the printheads
----	-------------	--



Other Internal Parts

PC Board

57 C7791-60219 Cleanout interconnect PCA

Sensor

58 C7791-60229 OOPS sensor

Spittoon

59 C7791-60203 Ink spittoon - Holds any residual ink from the print cartridge cleaning process

Support

60 C8108-67042 Output mechanism support assembly

Paper Tray Parts

Cam

121 C8108-67050 Drawer and spring cam - Short, spring loaded lever attached to the paper tray frame - Used to draw input tray into position

Paper Trays

Tray

122 C7791-60145 Paper output tray assembly

123 C7791-60146 Paper input tray assembly - Holds paper supply for printer

Paper and Other Media

Interface (Product)

J6057AR JetDirect 615N internal print server (10Base-T and 100Base-TX) LAN interface board - Plugs into peripheral EIO slot - Has a RJ-45 connector - Comes with software on CD-ROM and manual

Paper

C7923A Basic Heavyweight Paper - 61cm (24in) x 30.5m (100ft) (USA and Asia/Pacific)

C7929A Super Heavyweight Paper - 61cm (24in) x 22.9m (75ft) (USA and Asia/Pacific)

Q1404A Coated Paper - 61cm (24in) x 45.7m (150ft)

Paper (Bright White)

C6035A Bright white InkJet paper - 61cm (24in) x 45.7m (150ft) roll

Q1445A Bright White paper - 59.4cm (23.4in) x 45.7m (150ft)

Q1446A Bright White paper - 42.0cm (16.5in) x 45.7m (150ft)

Paper (Coated)

C6019A Coated Paper (98 gsm) - 61cm (24in) x 45.7m (150ft)

C6029C Heavyweight coated paper - 61cm (24in) x 30.5m (100ft) roll - For regular or UV resistant ink

C8281A Basic Coated Paper - 61cm (24in) x 45.7m (150ft) (USA and Asia/Pacific)

Q1412A Universal Heavyweight Coated paper - 61cm (24in) x 30.5m (100ft)

Q1442A Coated Paper - 59.4cm (23.4in) x 45.7m (150ft)

Q1443A Coated Paper - 42.0cm (16.5in) x 45.7m (150ft)

Q1961A Coated Paper - Architectural C size (18 x 24-inches) - 100 sheets

Q1962A Coated Paper - Architectural D size (24 x 36-inches) - 100 sheets

Paper (Glossy)

C6817A Professional glossy InkJet brochure and flyer paper - Glossy on both sides - A size (8.5 x 11-inches) - 50 sheets per box

C6818A Professional glossy InkJet brochure and flyer paper - A4 size (21.0cm x 29.7cm) - Glossy on both sides - 50 sheets per box

C6820A Professional glossy InkJet brochure and flyer paper - Glossy on both sides - B size (11 x 17-inches) - 50 sheets per box

C6821A Professional glossy InkJet brochure and flyer paper - A3 size (29.7cm x 42.0cm) - Glossy on both sides - 50 sheets per box

C8315A High Gloss Photo Paper - 61cm (24in) x 30.5m (100ft) (USA and Asia/Pacific)

Paper and Other Media**Paper (Glossy)**

Q1426A	Universal High-Gloss Photo Paper - 61cm (24in) x 30.5m (100ft)
Q1930A	Glossy Brochure and Flyer Paper - A4 size (21.0cm x 29.7cm) - 50 sheets
Q1963A	Proofing Gloss Paper - Architectural C size (18 x 24-inches) - 50 sheets
Q1964A	Proofing Gloss Paper - Architectural D size (24 x 36-inches) - 50 sheets
Q1965A	Proofing Gloss paper - 61cm (24in) x 30.5m (100ft)
Q1966A	Semi-Gloss Proofing Paper - 61cm (24in) x 30.5m (100ft)
Q1970A	Glossy Proofing Paper - 33.0 cm (13in) x 48.3cm (19in)

Paper (InkJet Photo)

C6983A	Photo quality InkJet paper - With two sided semi-gloss finish - A size (8.5 x 11-inches) - 25 sheets per package
C6984A	Photo quality InkJet paper - A4 size (21.0cm x 29.7cm) - Has two sided semi-gloss finish - 25 sheets per package
C7006A	Photo quality InkJet paper - A4 size (21.0cm x 29.7cm) - Has two sided semi-gloss finish - 25 sheets per package
C7007A	Photo quality InkJet paper - With two sided matte finish - A size (8.5 x 11-inches) - 100 sheets per package

Paper (InkJet)

51634Y	InkJet non-glossy LX paper - A size (8.5 x 11-inches) - 200 sheets per package
51634Z	InkJet non-glossy LX paper - A4 size (21.0cm x 29.7cm) - 200 sheets per package
C1824A	Bright white InkJet paper - A size (8.5 x 11-inches) - 500 sheets per package
C1825A	Bright white InkJet paper - A4 size (21.0cm x 29.7cm) - 500 sheets per package
C1852A	Premium InkJet heavyweight paper - A size (8.5 x 11-inches) - 15 sheets per package
C1853A	Premium InkJet heavyweight paper - A4 size (21.0cm x 29.7cm) - Coated on both sides - 100 sheets per package
C1855A	Premium InkJet paper - B size (11 x 17-inches) - 100 sheets per package
C1856A	Premium InkJet paper - A3 size (29.7cm x 42.0cm) - 100 sheets
C1857A	Bright white InkJet paper - B size (11 x 17-inches) - 200 sheets per package
C1858A	Bright white InkJet paper - A3 size (29.7cm x 42.0cm) - 200 sheets per package
C5976B	Bright white InkJet paper - A size (8.5 x 11-inches) - 250 sheets per package
C5977A	Bright white InkJet paper - A4 size (21.0cm x 29.7cm) - 200 sheets per package

Paper (Matte)

C6955A	Professional and flyer paper (Matte) - A size (8.5 x 11-inches) - 50 sheets
--------	---

Paper (Photo)

C6039A	Premium glossy photo paper (Fast dry time) - A size (8.5 x 11-inches) - 15 sheets per package
C6040A	Premium glossy photo paper - A4 size (21.0cm x 29.7cm) - 15 sheets per package (Europe, Brazil, and Argentina)
C6058A	Premium photographic paper - B size (11 x 17-inches) - 20 sheets
C6059A	Premium photographic paper - A3 size (29.7cm x 42.0cm) - 20 sheets
C6831A	Premium plus glossy InkJet photographic paper - A size (8.5 x 11-inches) - 20 sheets per package
C6832A	Premium plus glossy InkJet photographic paper - A4 size (21.0cm x 29.7cm) - 20 sheets per package
C6950A	Premium Plus matte inkjet photographic paper - A size (8.5 x 11-inches) - 20 sheets per package
C6950AC	Premium Plus matte photographic paper - A size (8.5 x 11-inches) - 20 sheets per package - For Canada only
C6951A	Premium plus matte InkJet photographic paper - A4 size (21.0cm x 29.7cm) - 20 sheets per package
C6979A	Premium glossy photo paper (fast dry time) - A size (8.5 x 11-inches) - 50 sheets per package
C7013A	Colorfast photo paper - A size (8.5 x 11-inches) - 20 sheets per package
C7014A	Colorfast glossy photo paper - A size (8.5 x 11-inches) - 20 sheets
C8310A	Basic Photo Satin paper - 61cm (24in) x 30.5m (100ft) (USA and Asia/Pacific)
Q1420A	Semi-Gloss Photo Paper - 61cm (24in) x 30.5m (100ft)
Q1785A	Photo Paper - A size (8.5 x 11-inches) - 50 sheets



Paper and Other Media

Paper (Semi-Glossy)

C7884A Large format proofing semi-gloss media - 33.0 cm (13in) x 48.3cm (19in)

Print Mechanism Parts

Belt

- 124 C7791-60233 Carriage belt - Used to move the carriage from side to side
- 125 C8108-67048 Drive belt for the output mechanism assembly

Cam

- 126 C7791-60232 Pick cam - Located on the left-side of the print mechanism

Carriage Kit

- 127 C7791-60142 Carriage assembly - Includes trialing cable

Encoder

- 128 C7791-60205 Encoder strip - Clear strip with position markers
- 129 C8108-67051 Paper motor encoder disk - Mounts on the left end of the pivot and feedroller assembly shaft

Guide

- 130 C7791-60202 Inner paper guide - Guides the paper through the paper path

Holder

- 131 C7790-60104 Encoder strip holder - Wire loop that connects to the carriage assembly that is used to hold the encoder strip
- 132 C7790-60124 Ink tube holder - Holds the ink tubes from the RIDS assembly

Ink Delivery System

- 133 C7791-60129 RIDS assembly - Transports ink from the ink supply station to the printheads

Motor

- 134 C7791-60143 Carriage drive motor - Drives the carriage belt
- 135 C8108-67038 Paper motor assembly - Powers the drive roller
- 136 C8108-67040 Ramp motor assembly - Used to operate paper output rollers

Pivot

- 137 C7796-60026 Pivot assembly - Black plastic part under platen - Supports pick roller

Platen

- 138 C7791-60144 Print Platen - Surface that supports paper during printing
- 139 C7791-60220 Bypass platen assembly

Roller Assembly

- 140 C7791-60200 Pick roller assembly - Picks media from the input paper tray and feeds it through the paper path
- 141 C7791-60201 Feed roller assembly - Includes encoder disk and paper-axis motor assembly - Feeds media under the carriage assembly

Roller Kit

- 142 C7791-60230 Upper paper guide roller kit (includes 8 rollers) - Helps to guide media through paper path

Spring

- 143 C7790-60125 Belt tensioner spring

Starwheel

- 144 C7791-60245 Starwheel assembly - Provides downward pressure on media as it passes through the feed rollers

Turnaround Assembly

- 145 C7791-60212 Turnaround assembly - Includes belt tensioning spring



Roll Feed Assembly Parts

Bracket

146 C7791-60215 Rollfeed support bracket - Used in conjunction with the automatic rollfeed kit

Cutter

147 C7797-60007 Media cutter assembly

Rollfeed Assy

148 Q1247-60023 Automatic rollfeed kit

Spindle

149 C7797-60008 24 inch spindle assembly

Stand Parts

Adapter

150 Q1246-60011 Base adaptor kit (includes 2)

Bin

151 Q1246-60010 Paper bin assembly

Brace

152 Q1246-60008 X-brace assembly - Connects between both legs

Foot

153 Q1246-60009 Foot assembly (includes 2)

Leg

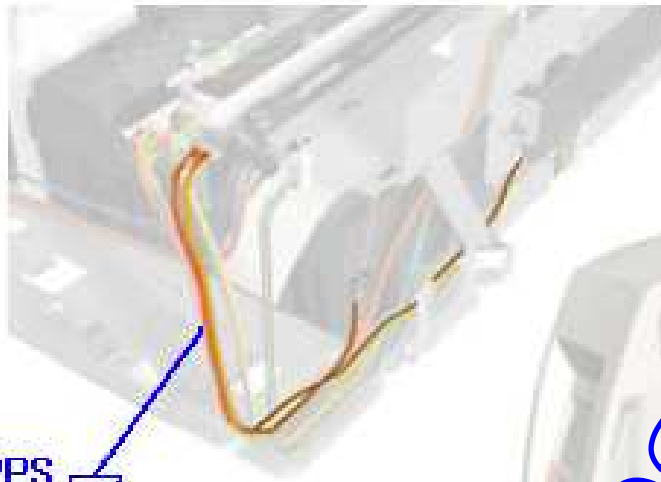
154 Q1246-60007 Legs assembly (includes 2)

Support

155 Q1246-60012 Input tray support - Used to support the weight of the input paper tray

www.druckparts.pl

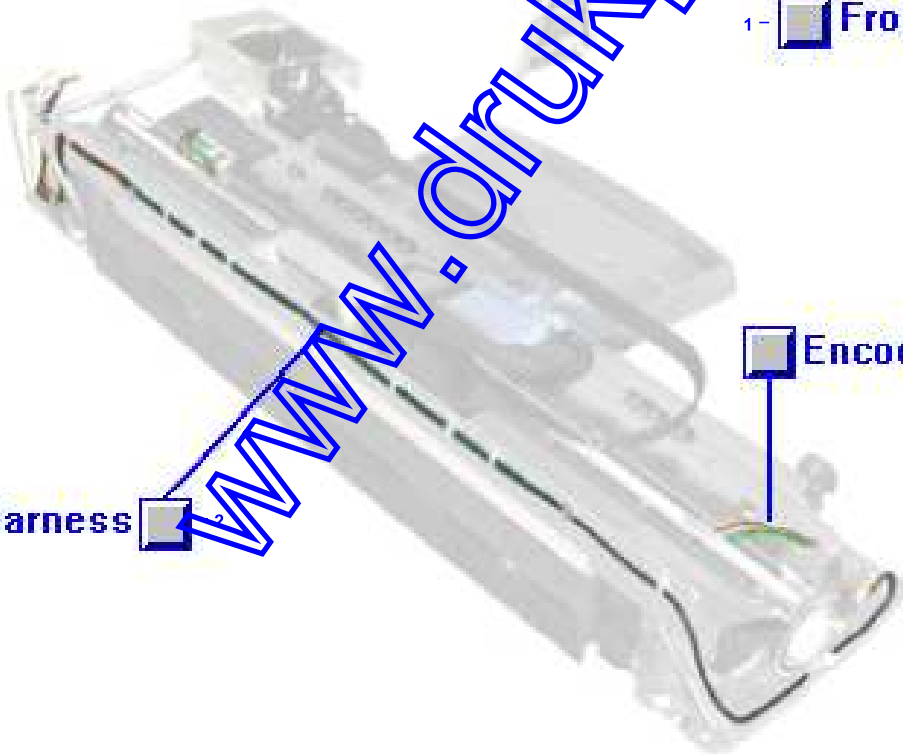
Cable Harness



Duplex OPPS
Harness -4



1- Front Panel Cable



Motor Harness

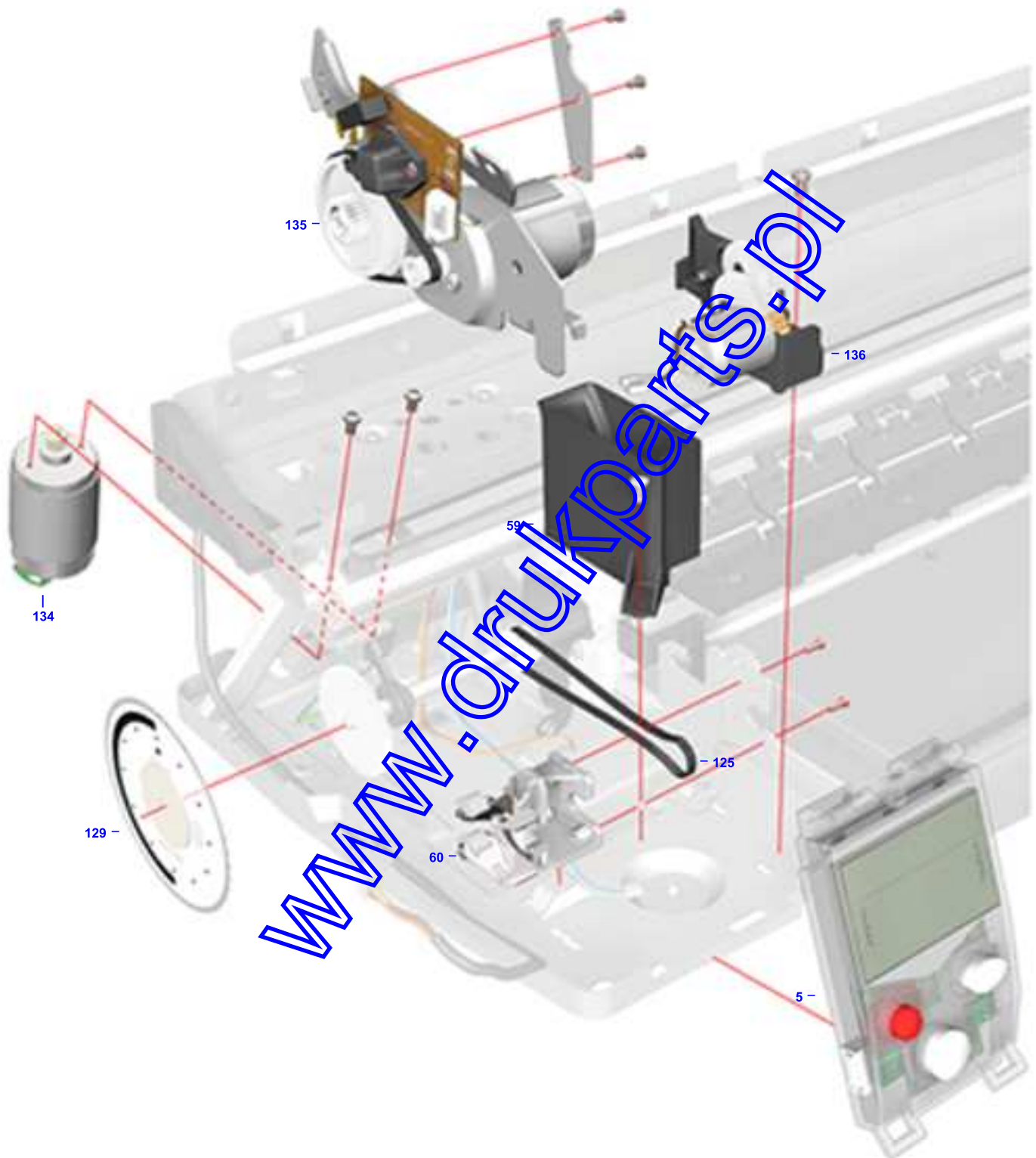
Encoder Harness -3

www.drukparts.pl

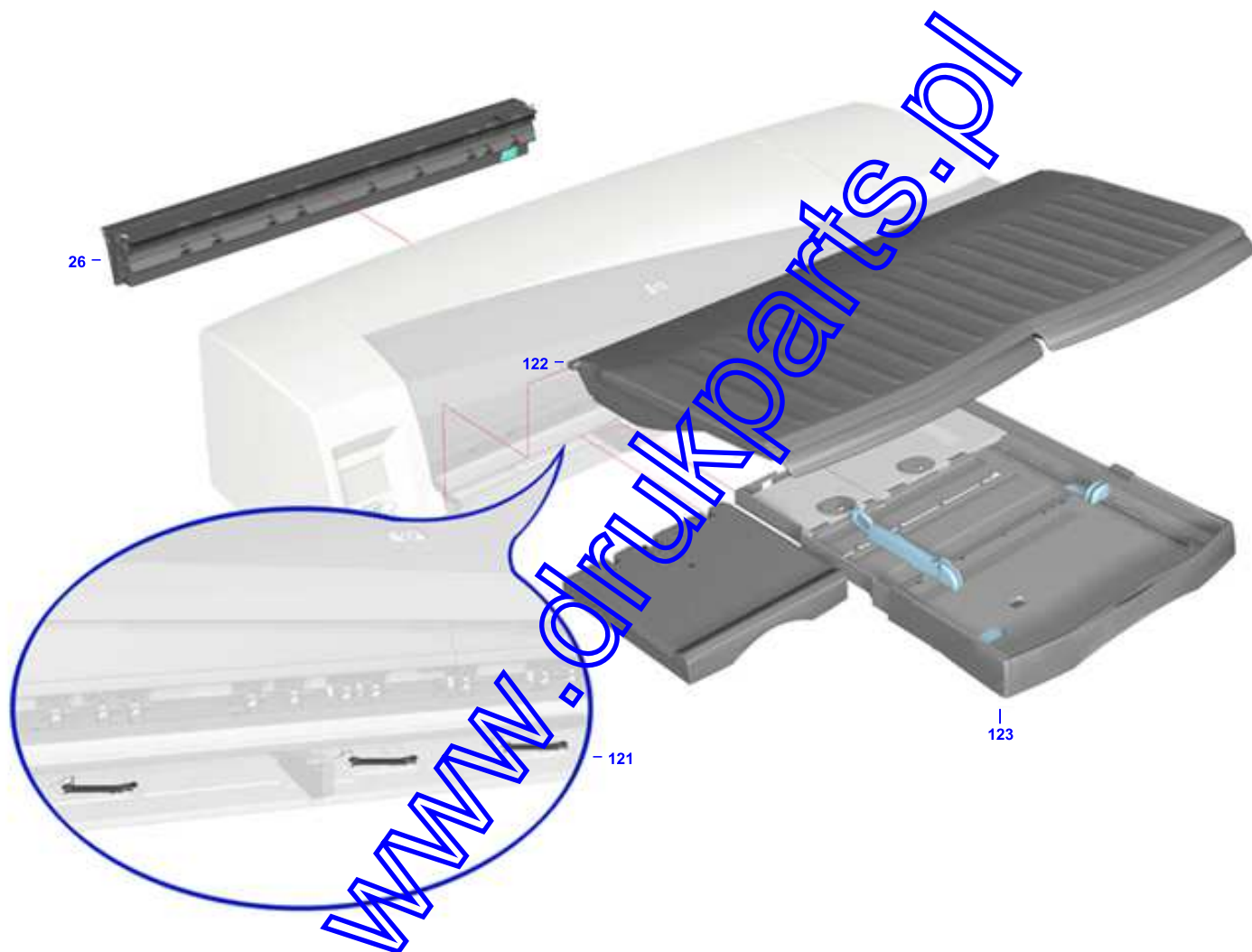
Cover Assemblies



Left-side Assemblies



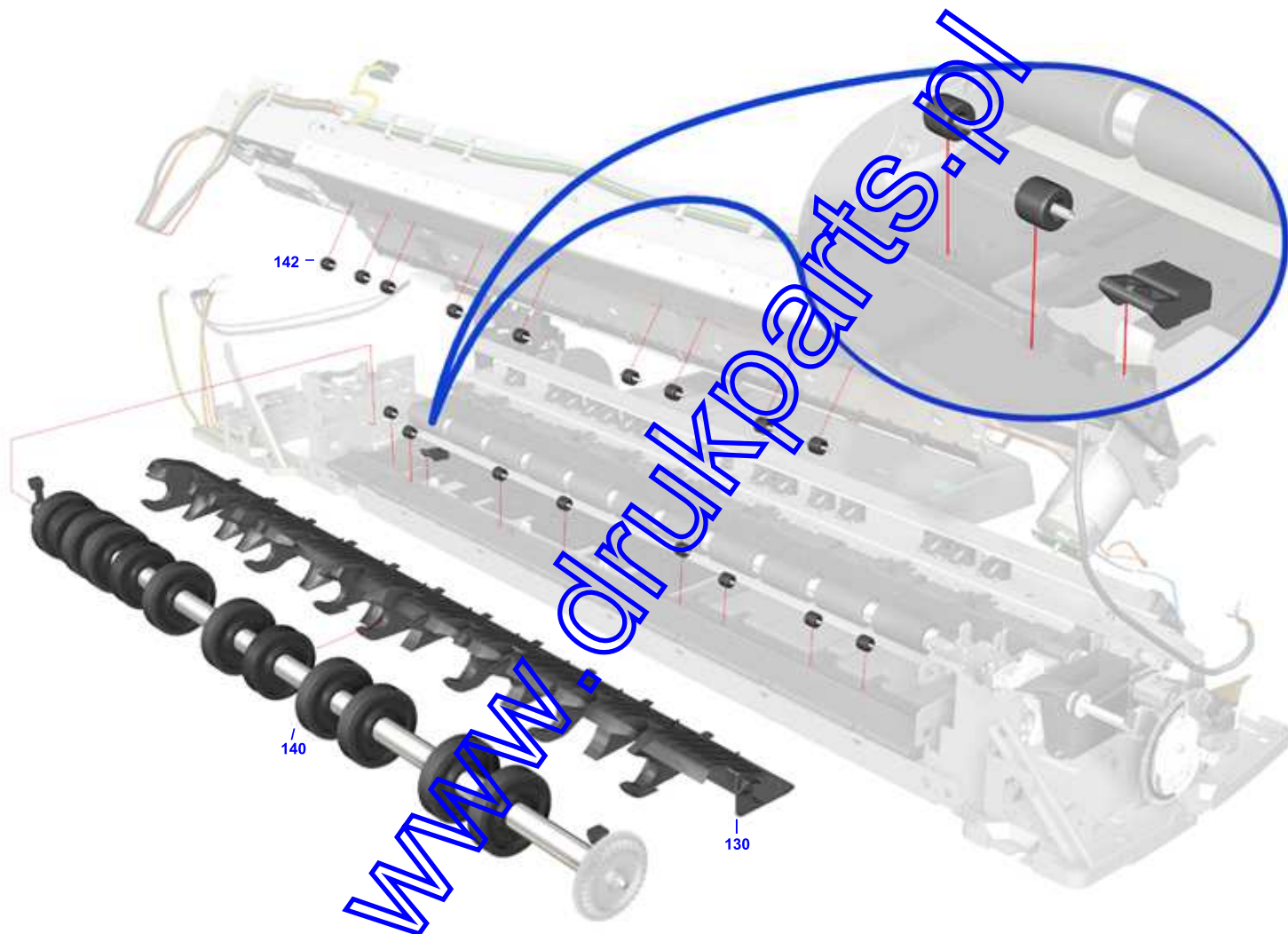
Paper Feed Assemblies



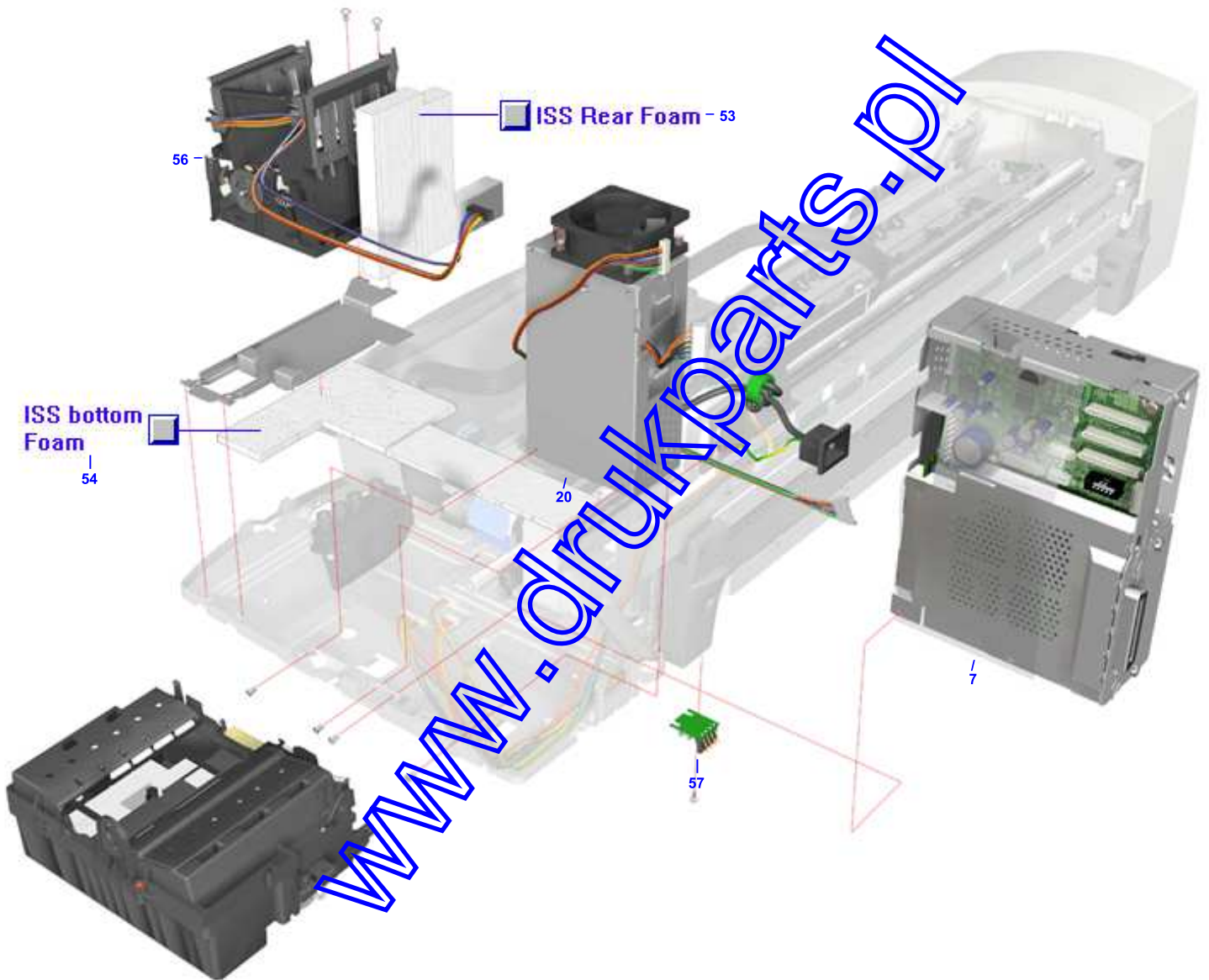
Printer Stand and Paper Bin



Rear Paper Path Assemblies



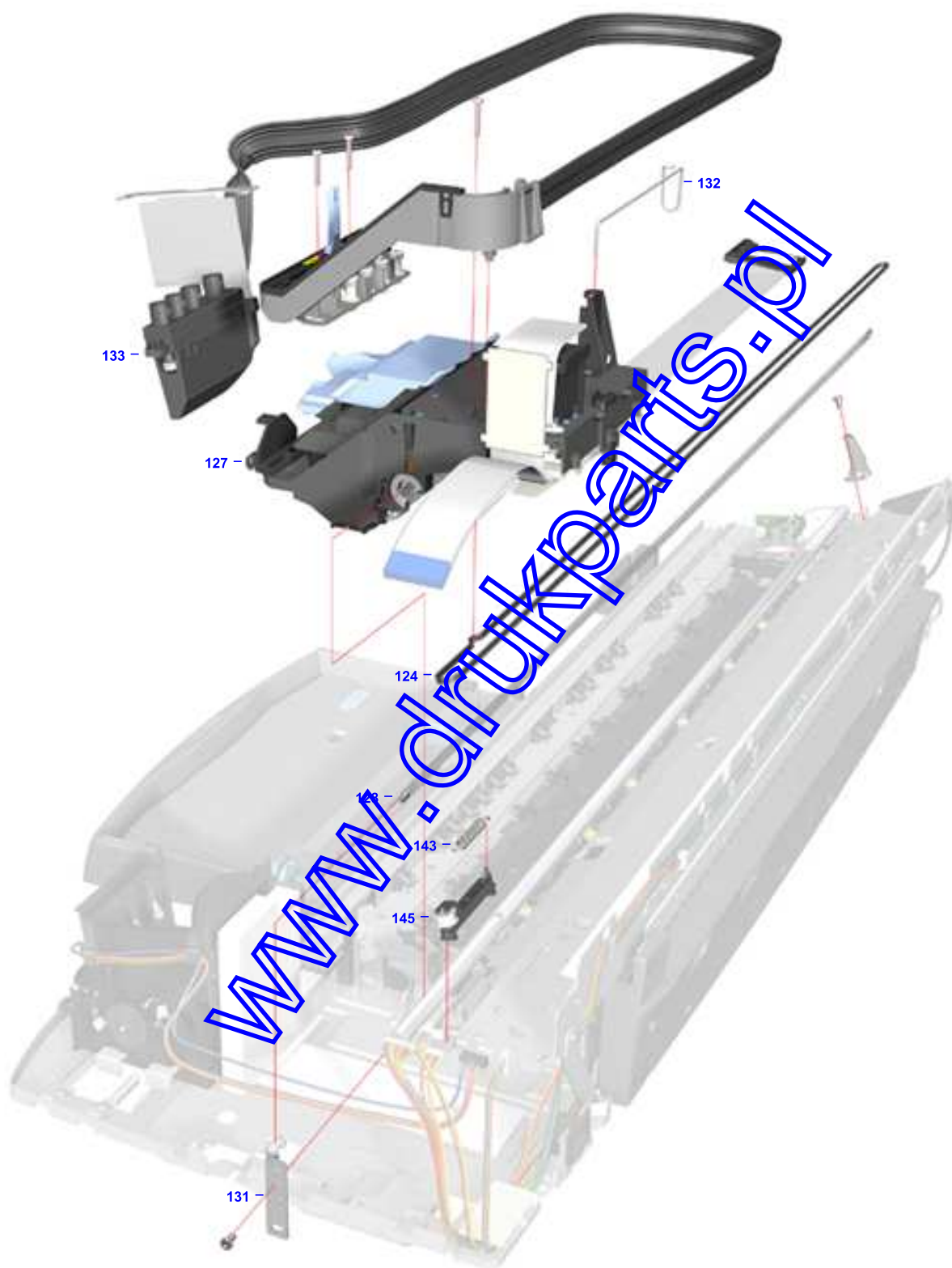
Right-side Assemblies



Rollfeed Components



Scan-Axis Assembly



Top Paper Path Assemblies





HP Parts Reference Guide

<http://www.hp.com/go/parts>

HP PartSurfer

<http://partsurfer.hp.com>

HP Parts Ordering Information

<http://www.hp.com/go/hpparts>

HP Parts Questions/Comments

<http://partsurfer.hp.com/contactus.htm>

www.drukparts.pl