

Carriage/Carriage Drive
Arm

1 C6072-60199 Cutter actuator arm

Belt

2 C6072-60198 Carriage drive belt kit - Includes belt and oil

Bushing

C4704-40084 Rear slider rod bushing (Spring loaded)

Cable

4 C6072-60196 Carriage trailing cable kit - Includes cable, trailing cable clip, nye oil, cover cap, trailing cable ferrite, ferrite holder

Carriage

5 C6072-69147 Carriage assembly kit - Includes carriage, carriage height tool cutter assembly, and line sensor - Does not include cable
 REQUIRES RETURN OF DEFECTIVE PART

C6072-60147 *New Part for C6072-69147*

Cutter

6 C6072-60200 Cutter assembly kit - Includes mounting hardware - Installed under carriage assembly

Motor

7 C6072-60148 Carriage motor - Includes pulley

Strip

8 C6072-60197 Encoder strip

Tensioner

9 C6072-60149 Tensioner assembly - Includes pulley assembly, pulley spring, wedge, cutter actuator arm, and tensioner housing

Tool

C6071-60166 Carriage height tool

Electronic Accessories
Cable (Interface)

5063-1256 IEEE-1284 Bi-Tronics parallel cable - DB-25 (M) connector (type A) to 36 pin Centronics (M) connector (type B) - 2.0m (6.6ft) long

5063-1257 IEEE-1284 Bi-Tronics parallel cable - DB-25 (M) connector (type A) to 36 pin Centronics (M) connector (type B) - 3.0m (9.8ft) long

C2950A IEEE-1284 Bi-Tronics parallel cable - DB-25 (M) connector (type A) to 36 pin Centronics (M) connector (type B) - 2.0m (6.6ft) long

5063-1256 *New Part for C2950A*

C2951A IEEE-1284 Bi-Tronics parallel cable - DB-25 (M) connector (type A) to 36 pin Centronics (M) connector (type B) - 3.0m (9.8ft) long

Interface (Product)

15 J3110A Ethernet 10Base-T (RJ-45) EIO network internal print server PC board

16 J3111A Ethernet 10Base-T/100Base2 and LocalTalk (RJ-45, BNC, LocalTalk) EIO network PCA

17 J3112A JetDirect 600N token ring LAN interface board - DB-9 and RJ-45 connectors
 NO LONGER SUPPLIED

18 J3113A JetDirect 600N internal print server (10Base-T and 100Base-TX) LAN interface board - Plugs into peripheral EIO slot

19 J3258B External JetDirect 170X LAN interface module - Interfaces a parallel printer to an ethernet 10Base-T (RJ-45) LAN

20 J4167A JetDirect 610N token ring LAN interface board - DB-9 and RJ-45 connectors

21 J4169A JetDirect 610N internal print server (10Base-T and 100Base-TX) LAN interface board - Plugs into peripheral EIO slot - Has a RJ-45 connector - Comes with software on CD-ROM and manual

22 J6057A JetDirect 615N internal print server (10Base-T and 100Base-TX) LAN interface board - Plugs into peripheral EIO slot - Has a RJ-45 connector - Comes with software on CD-ROM and manual

23 J6057AR JetDirect 615N internal print server (10Base-T and 100Base-TX) LAN interface board - Plugs into peripheral EIO slot - Has a RJ-45 connector - Comes with software on CD-ROM and manual



Electronic Accessories

Memory (Product)

- 24 C6251A 16MB EDO (Extended Data Output) DRAM DIMM - For DesignJet 1000 series printers
NO LONGER SUPPLIED
- 25 C6252A 32MB EDO (Extended Data Output) DRAM DIMM - For DesignJet 1000 series printers
- 26 C6258A 64MB EDO (Extended Data Output) DRAM DIMM - For DesignJet 1000 series printers

PC Board (Interface)

- 27 J3110-69001 JetDirect 600N EIO internal print server 10Base-T LAN interface board - Has one RJ-45 connector - (J3110A)
J6057-69001 *New Part for J3110-69001*
- 28 J3111-69001 JetDirect 600N EIO internal print server 10Base-T, 10BASE-2, and LocalTalk LAN interface board - Has one RJ-45, BNC, and 8-pin DIN connector - (J3111A)
REQUIRES RETURN OF DEFECTIVE PART
J3111-61001 *New Part for J3111-69001*
- 29 J3112-69001 JetDirect 600N EIO internal print server token ring LAN interface board - Has one RJ-45 and DB-9 connector
J4167-69001 *New Part for J3112-69001*
- 30 J3113-69001 JetDirect 600N EIO internal print server 10Base-T and 100Base-T LAN interface board - Has one RJ-45 connector

Electronics/Power Supply

Drive

- 31 C6075-60005 3.2GB hard drive (DesignJet)

Drop Detector

- 32 C6072-60179 Drop detector assembly - Includes spittoon foam - Installed in service station assembly

Fan

- 33 C6072-60159 Vacuum/aerosol fan assembly - Installed on right side of printer chassis

Firmware

- 34 C6075-69264 Firmware DIMM (Revision A.01.13)
REQUIRES RETURN OF DEFECTIVE PART
C6075-60264 *New Part for C6075-69264*

Front Panel

- 35 C6072-60175 Front panel assembly - Includes front panel cable

Memory (DIMM)

- 36 C6074-60003 16MB EDO (Extended Data Output) DRAM DIMM memory module
- 37 C6074-60004 32MB EDO (Extended Data Output) DRAM DIMM memory module
- 38 C6074-60005 64MB EDO (Extended Data Output) DRAM DIMM memory module

Module

- 39 C6072-69146 Electronics module - Contains power supply, main logic board and cooling fan
REQUIRES RETURN OF DEFECTIVE PART
C6072-60146 *New Part for C6072-69146*

PC Board (Interface)

- 40 J3113-69001 JetDirect 600N EIO internal print server 10Base-T and 100Base-T LAN interface board - Has one RJ-45 connector

Power Cord

- 8120-0698 Power cord (Black) - 18 AWG, 2.3m (7.5ft) long - Has straight (F) receptacle (For 220V/240V in the USA and Canada)
- 8120-1378 Power cord (Jade Gray) - 18 AWG, 2.3m (7.5ft) long - Has straight (F) receptacle (For 120V in USA, Canada, Latin America, Korea, Taiwan, Thailand, Spain, Brazil, and Vietnam)

Sensor

- 43 C6072-60190 Media sensor



External Case Parts

Bracket

44 C6072-60188 Rear cover mounting bracket kit - Includes left and right brackets

Cover

45 C6072-60165 Right cover - Includes front panel cable - Does not include front panel assembly or aerosol fan
46 C6072-60167 Left cover - Covers the ink tube system and has a door to access the ink cartridges
47 C6072-60168 Top cover - Covers the top of the print mechanism (Not the window)
48 C6072-60169 Back cover - Includes blank serial number label
49 C6072-60170 Back EMC cover
50 C6072-60171 Left rear cover kit - Covers electronics module near the DIMM cover - Includes ferrite and clip
51 C6072-60172 Right rear cover - Covers the end of the electronics module that is not near the DIMM cover
52 C6072-60176 DIMM cover - Covers the DIMM sockets in the electronics module
C6072-60177 EIO cover - Used when an EIO slot is empty

Deflector

54 C6071-60148 Tail deflectors

Holder

C6071-60154 Quick reference guide holder

Label

56 C4704-00119 Adobe PostScript label

Nameplate/Logo

57 C6075-00001 Nameplate - DesignJet 1055CM

Overlay

58 C6074-60241 Front panel overlay (English)
59 C6074-60242 Front panel overlay (Korean)
60 C6074-60243 Front panel overlay (Taiwanese)
61 C6074-60244 Front panel overlay (German)
62 C6074-60245 Front panel overlay (French)
63 C6074-60246 Front panel overlay (Spanish)
64 C6074-60247 Front panel overlay (Italian)
65 C6074-60248 Front panel overlay (Japanese)
66 C6074-60249 Front panel overlay (Portuguese)
67 C6074-60250 Front panel overlay (Chinese)

Platen

68 C6072-60186 Rear Platen

Window

69 C6072-60164 Lift-up viewing window

Other Accessories

CD-ROM (Support)

C7769-90066 DesignJet support CD ROM - Version A.04.01 - Has product information, user's manuals, service manuals, diagnostic software, test drawings, newsletters, and service notes

Cartridge

C4872-80126 No.80 standard capacity cyan ink cartridge (175ml ink)
C4872A No.80 standard capacity cyan ink cartridge (175ml ink)
C4873-80128 No.80 standard capacity yellow ink cartridge (175ml ink)
C4873A No.80 standard capacity yellow ink cartridge (175ml ink)
C4874-80127 No.80 standard capacity magenta ink cartridge (175ml ink)



Other Accessories

Cartridge

C4874A	No.80 standard capacity magenta ink cartridge (175ml ink)
C4846-80131	No.80 high capacity (350ml ink) cyan ink cartridge
C4846A	No.80 high capacity cyan ink cartridge (350ml ink)
C4847-80132	No.80 high capacity magenta ink cartridge (350ml ink)
C4847A	No.80 high capacity magenta ink cartridge (350ml ink)
C4848-80134	No.80 high capacity yellow ink cartridge (350ml ink)
C4848A	No.80 high capacity yellow ink cartridge (350ml ink)
C4871-80125	No.80 high capacity black ink cartridge (350ml ink) - Same as C4871A
C4871A	No.80 high capacity black ink cartridge (350ml ink)

Deflector

C6079-60019	Media deflector - Rod used when optional take-up reel is installed
-------------	--

Ink System Return Kit

C4820-80100	Ink system return kit (Box and instructions) - For returning printheads, printhead cleaner, and ink cartridges under the CREW program
-------------	---

Ink and Printhead

C4890A	No.80 high capacity black ink cartridge, printhead, and printhead cleaner bundle (350ml ink)
C4891A	No.80 high capacity cyan ink cartridge, printhead, and printhead cleaner bundle (350ml ink)
C4892A	No.80 high capacity magenta ink cartridge, printhead, and printhead cleaner bundle (350ml ink)
C4893A	No.80 high capacity yellow ink cartridge, printhead, and printhead cleaner bundle (350ml ink)

Kit

C6072-60143	Maintenance Kit - Includes setup printheads, trailing paper, SS housing foam, rubber gloves, oil applicator, carriage motor, drop detector, carriage assembly, drive belt, ink tube system, tensioner assembly, carriage height tool, & trailing cable clip
-------------	---

Lubricant

6040-0855	Synthetic oil - 4oz (113g) plastic bottle
C3190-60155	Grease - For helical gear (Drive roller gear)
C6071-60177	Oil applicator - Contains synthetic oil
C6072-60047	Overdrive oil kit

Manual

5959-9734	Comparison guide for HP-GL/2 and PTL peripherals (English)
C6071-90101	DesignJet 1050C and 1055CM users guide (English)
C6071-90102	DesignJet 1050C and 1055CM users guide (Korean)
C6071-90103	DesignJet 1050C and 1055CM users guide (Taiwanese)
C6071-90104	DesignJet 1050C and 1055CM users guide (German)
C6071-90105	DesignJet 1050C and 1055CM users guide (French)
C6071-90106	DesignJet 1050C and 1055CM users guide (Spanish)
C6071-90107	DesignJet 1050C and 1055CM users guide (Italian)
C6071-90108	DesignJet 1050C and 1055CM users guide (Japanese)
C6071-90109	DesignJet 1050C and 1055CM users guide (Portuguese)
C6071-90110	DesignJet 1050C and 1055CM users guide (Chinese)
C6071-90111	DesignJet 1050C and 1055CM users guide (Czech)
C6071-90112	DesignJet 1050C and 1055CM users guide (Greek)
C6071-90113	DesignJet 1050C and 1055CM users guide (Hungarian)
C6071-90114	DesignJet 1050C and 1055CM users guide (Polish)



Other Accessories

Manual

- C6071-90115 DesignJet 1050C and 1055CM users guide (Russian)
- C6071-90117 DesignJet 1050C and 1055CM users guide (Turkish)
- C6079-90001 C6079A take-up reel users guide (English)
- C6079-90002 C6079A take-up reel users guide (Korean)
- C6079-90003 C6079A take-up reel users guide (Taiwanese)
- C6079-90004 C6079A take-up reel users guide (German)
- C6079-90005 C6079A take-up reel users guide (French)
- C6079-90006 C6079A take-up reel users guide (Spanish)
- C6079-90007 C6079A take-up reel users guide - No longer available - See the DesignJet 1050C and 1055CM user's guide (Italian)
NO LONGER SUPPLIED
- C6071-90117 New Part for C6079-90007*
- C6079-90008 C6079A take-up reel users guide (Japanese)
- C6079-90009 C6079A take-up reel users guide (Portuguese)
- C6079-90010 C6079A take-up reel users guide (Chinese)
- C6079-90011 C6079A take-up reel users guide (Czechoslovakian)
- C6079-90012 C6079A take-up reel users guide (Greek)
- C6079-90013 C6079A take-up reel users guide (Hungarian)
- C6079-90014 C6079A take-up reel users guide (Polish)
- C6079-90015 C6079A take-up reel users guide (Russian)
- C6079-90017 C6079A take-up reel users guide (Turkish)
- C6071-90241 DesignJet 1050C and 1055CM quick reference guide (English)
- C6071-90000 DesignJet 1050C and 1055CM service manual (English)
- C6071-60341 DesignJet 1050C/1055CM documentation CD-ROM (English) - Contains on-screen movies and users documentation
- C6071-60344 DesignJet 1050C/1055CM documentation CD-ROM (German) - Contains on-screen movies and users documentation
- C6071-60345 DesignJet 1050C/1055CM documentation CD-ROM (French) - Contains on-screen movies and users documentation
- C6071-60346 DesignJet 1050C/1055CM documentation CD-ROM (Spanish) - Contains on-screen movies and users documentation
- C6071-60347 DesignJet 1050C/1055CM documentation CD-ROM (Italian) - Contains on-screen movies and users documentation
- C6071-60349 DesignJet 1050C/1055CM documentation CD-ROM (Portuguese) - Contains on-screen movies and users documentation

Manual Kit

- C6071-60241 Manual kit - Includes setup guide, quick reference guide, and assembly instructions (English)
- C6071-60242 Manual kit - Includes setup guide, quick reference guide, and assembly instructions (Korean)
- C6071-60243 Manual kit - Includes setup guide, quick reference guide, and assembly instructions (Taiwan)
- C6071-60244 Manual kit - Includes setup guide, quick reference guide, and assembly instructions (German)
- C6071-60245 Manual kit - Includes setup guide, quick reference guide, and assembly instructions (French)
- C6071-60246 Manual kit - Includes setup guide, quick reference guide, and assembly instructions (Spanish)
- C6071-60247 Manual kit - Includes setup guide, quick reference guide, and assembly instructions (Italian)
- C6071-60249 Manual kit - Includes setup guide, quick reference guide, and assembly instructions (Portuguese)
- C6071-60250 Manual kit - Includes setup guide, quick reference guide, and assembly instructions (Chinese)
- C6072-60368 Manual kit - Includes setup guide, quick reference guide, and assembly instructions (Japanese)

Mount

- C6079-60017 Left take-up reel spindle mount assembly
- C6079-60018 Right take-up reel spindle mount assembly



Other Accessories

Printhead

C6071-60167 Setup Printheads - Used to remove air and prime the ink system (4 used)

Printhead Kit

- C4820-80034 No.80 black printhead and printhead cleaner bundle
- C4820A No.80 black printhead and printhead cleaner bundle
- C4821-80011 No.80 cyan printhead and printhead cleaner bundle
- C4821A No.80 cyan printhead and printhead cleaner bundle
- C4822-80009 No.80 magenta printhead and printhead cleaner bundle
- C4822A No.80 magenta printhead and printhead cleaner bundle
- C4823-80014 No.80 yellow printhead and printhead cleaner bundle
- C4823A No.80 yellow printhead and printhead cleaner bundle

Sensor

C6079-60016 Sensor assembly for take-up reel

Software

- C6072-60281 Toolbox and driver software - HP-GL/2 and RTL drivers for Windows 3.1/95/98/NT 4.0 (all DesignJets), and toolbox software for Windows 95/NT 4.0 (Only for DesignJet 430/450C/455CA/1050C/1055CM) - On 3.5-inch 1.44MB floppy disks (English)
- C6072-60284 Toolbox and driver software - HP-GL/2 and RTL drivers for Windows 3.1/95/98/NT 4.0 (all DesignJets), and toolbox software for Windows 95/NT 4.0 (Only for DesignJet 430/450C/455CA/1050C/1055CM) - On 3.5-inch 1.44MB floppy disks (German)
- C6072-60285 Toolbox and driver software - HP-GL/2 and RTL drivers for Windows 3.1/95/98/NT 4.0 (all DesignJets), and toolbox software for Windows 95/NT 4.0 (Only for DesignJet 430/450C/455CA/1050C/1055CM) - On 3.5-inch 1.44MB floppy disks (French)
- C6072-60286 Toolbox and driver software - HP-GL/2 and RTL drivers for Windows 3.1/95/98/NT 4.0 (all DesignJets), and toolbox software for Windows 95/NT 4.0 (Only for DesignJet 430/450C/455CA/1050C/1055CM) - On 3.5-inch 1.44MB floppy disks (Spanish)
- C6072-60287 Toolbox and driver software - HP-GL/2 and RTL drivers for Windows 3.1/95/98/NT 4.0 (all DesignJets), and toolbox software for Windows 95/NT 4.0 (Only for DesignJet 430/450C/455CA/1050C/1055CM) - On 3.5-inch 1.44MB floppy disks (Italian)
- C6072-60301 HP-GL/2 driver software for AutoCAD - For DOS and Windows 3.1/95/NT 4.0 - On 3.5-inch 1.44MB floppy disks (English)
- C6072-60304 HP-GL/2 driver software for AutoCAD - For DOS and Windows 3.1/95/NT 4.0 - On 3.5-inch 1.44MB floppy disks (German)
- C6072-60305 HP-GL/2 driver software for AutoCAD - For DOS and Windows 3.1/95/NT 4.0 - On 3.5-inch 1.44MB floppy disks (French)
- C6072-60306 HP-GL/2 driver software for AutoCAD - For DOS and Windows 3.1/95/NT 4.0 - On 3.5-inch 1.44MB floppy disks (Spanish)
- C6072-60307 HP-GL/2 driver software for AutoCAD - For DOS and Windows 3.1/95/NT 4.0 - On 3.5-inch 1.44MB floppy disks (Italian)
- C6075-60201 DesignJet 1050C/1055CM PostScript driver software CD-ROM - For Windows 95/98/NT 4.0 and Apple/Macintosh - PostScript upgrade MUST be installed in 1050C first - Multilingual
- C6071-60368 ZEHRaster software for UNIX - Allows TIFF and JPEG printing on DesignJet 700 series, 1000 series, and CP series (Japanese)
- C7779-60040 ZEHRaster software for UNIX - Allows TIFF and JPEG printing on DesignJet 700 series, 1000 series, and CP series (Chinese)
- C7779-60041 ZEHRaster software for UNIX - Allows TIFF and JPEG printing on DesignJet 700 series, 1000 series, and CP series (English)
- C7779-60042 ZEHRaster software for UNIX - Allows TIFF and JPEG printing on DesignJet 700 series, 1000 series, and CP series (Korean)
- C7779-60043 ZEHRaster software for UNIX - Allows TIFF and JPEG printing on DesignJet 700 series, 1000 series, and CP series (Taiwanese)
- C7779-60044 ZEHRaster software for UNIX - Allows TIFF and JPEG printing on DesignJet 700 series, 1000 series, and CP series (German)



Other Accessories

Software

- C7779-60045 ZEHRaster software for UNIX - Allows TIFF and JPEG printing on DesignJet 700 series, 1000 series, and CP series (French)
- C7779-60046 ZEHRaster software for UNIX - Allows TIFF and JPEG printing on DesignJet 700 series, 1000 series, and CP series (Spanish)
- C7779-60047 ZEHRaster software for UNIX - Allows TIFF and JPEG printing on DesignJet 700 series, 1000 series, and CP series (Italian)

Spindle Kit

- C6078A E/A0 Spindle kit for DesignJet 1000 series printer

Take-Up Reel

- C6079A Take-up reel kit for HP DesignJet 1000 Series - Allows printed media to be automatically rolled while printing - Includes spindle, spindle drive, media deflector, and documentation

Tool

- C6071-60153 Carriage interconnect wiper (flex cleaner) - Handheld tool used to clean the electrical contacts for the printheads

Other Internal Parts

Air Pressure System

- 182 C6072-60016 Air pressurization system (APS) - Includes pump, valve, pressure sensor, and APS housing

Cleaner

- 183 C4820-60015 Black printhead cleaner
- 184 C4821-60005 Cyan printhead cleaner
- 185 C4822-60059 Magenta printhead cleaner
- 186 C4823-60003 Yellow printhead cleaner

Drop Detector

- 187 C6072-60179 Drop detector assembly - Includes spittoon foam - Installed in service station assembly

Fan

- 188 C6072-60159 Vacuum/aerosol fan assembly - Installed on right side of printer chassis

Guide

- 189 C6072-60189 Center guide and media sensor
- 190 C6072-60194 Front guide assembly
- 191 C6072-60195 Tube guide assembly

Ink Supply Station

- 192 C6072-60015 Ink Supply Station (ISS) - Has 4 slots for ink cartridges

Ink Tube System

- 193 C6074-60342 Ink Tube System - Includes setup printheads, ink collector, carrier clip, nye oil, ink supply station housing foam

Leak Detector

- C6071-60168 Ink leak detector system (LDS) - Includes ink collector, leak sense cable, leak sense cable clip

Printhead

- C6071-60167 Setup Printheads - Used to remove air and prime the ink system (4 used)

Sensor

- 196 C6072-60190 Media sensor

Service Station

- 197 C6072-60178 Service station assembly - Includes drop detector assembly

Support

- 198 C6072-60192 Left arc assembly
- 199 C6072-60193 Right arc assembly



Other Internal Parts

Trim

- 200 C6072-60173 Left trim - On the left arc
- 201 C6072-60174 Right trim - On the right arc

Paper Drive Parts

ARSS Assembly

- 309 C6072-60150 Automatic roll sheet switch (ARSS) assembly - Small, long roller and housing - Used to feed cut sheet media

ARSS Parts Kit

- 310 C6071-60155 Automatic roll sheet switch (ARSS) parts kit - ARSS torsion spring, ARSS axle gear, ARSS switch lever

Clutch

- 311 C6072-60151 Clutch assembly - Includes lever, 2 gears, a spring, and the shaft that they ride on

Guide

- 312 C6072-60163 Drive roller guide - Includes drive roller guide and media guide strip

Handle

- 313 C6072-60152 Handle for automatic roll sheet switch (ARSS) assembly

Motor

- 314 C6072-60160 Paper drive motor - Includes helical drive gear and mounting bracket - Installed on Right Side of Printer Chassis

Pinch Assembly

- 315 C6072-60009 Pinch Assembly - Includes pinch cam, pinch rollers, springs

Platen

- 316 C6072-60161 Center Platen Assembly - Includes overdrive rollers and screws
- 317 C6072-60162 Front Platen Assembly - Long, curved item without rollers - Includes platen and screws

Roll Feed Brake

- 318 C6072-60156 Right roll feed brake - Installed in right roll feed module
- 319 C6072-60157 Left roll feed brake - Installed in left roll feed module

Roll Feed Module

- 320 C6072-60155 Right roll feed module
- 321 C6072-60158 Left roll feed module

Roller

- 322 C6072-60154 Entry roller - Large, long roller at front of printer
- 323 C6072-60191 Paper drive roller assembly - Includes drive roller, roller gear, and roller bracket

Spindle

- 324 C6072-60126 E/A0 rollfeed spindle assembly - Includes end caps

Strip

- 325 C6072-60391 Media guide strip

Paper and Other Media

Canvas

- C6771A Studio canvas (368 gsm) - 91.4cm (36in) x 10.7m (35ft) roll - For regular ink or UV resistant ink
- C7966A Canvas with Matte finish - 61cm (24in) x 10.7m (35ft) (USA)
- C7967A Canvas with Matte finish - 91.4cm (36in) x 10.7m (35ft) (USA)
- Q1696A Canvas Matte - 137.2cm (54in) x 10.7m (35ft) (USA)
- Q1718A Canvas Paper (140 gsm) - 91.4cm (36in) x 10.7m (35ft) (USA)
- Q1724A Canvas Paper (180 gsm) - 91.4cm (36in) x 10.7m (35ft) (USA)



Paper and Other Media

Film (Adhesive)

- C6761A 3M 8519CP lustre (Semi-gloss) overlamine - 91.4cm (36in) x 22.9m (75ft) roll - Vinyl with pressure sensitive adhesive backing - Used to protect 3M 8522CP opaque imaging media
- C6762A 3M 8520CP matte overlamine - 91.4cm (36in) x 22.9m (75ft) roll - Vinyl with pressure sensitive adhesive backing - Used to protect 3M 8522CP opaque imaging media

Film (Clear)

- C3876A Clear film (4 mil) - 61cm (24in) x 22.9m (75ft) roll
- C3875A Clear film (4 mil) - 91.4cm (36in) x 22.9m (75ft) roll

Film (Cling)

- Q1914A Two View Cling film - 91.4cm (36in) x 22.9m (75ft)
- Q1915A Two View Cling film - 106.7cm (42in) x 22.9m (75ft)

Film (Glossy)

- C6794A Durable Imaging Glossy UV media - For UV ink only - 91.4cm (36in) x 30.5m (100ft) roll

Film (Matte)

- C7909A Double Matte Eraseable Film - 61cm (24in) x 38.1m (125ft) (USA)
- C7910A Double Matte Eraseable Film - 76.2cm (30in) x 38.1m (125ft) (USA)
- C7911A Double Matte Eraseable Film - 91.4cm (36in) x 38.1m (125ft) (USA)
- Q1736A Polyester Film White Matte - 91.4cm (36in) x 15.2m (50ft) (USA)
- 51642A Polyester matte film - 61cm (24in) x 36.6m (120ft) roll
- 51642B Polyester matte film - 91.4cm (36in) x 36.6m (120ft) roll

Film (Opaque)

- C7955A Opaque White Glossy Polyester Film - 61cm (24in) x 15.2m (50ft) (USA)
- C7956A Opaque White Glossy Film - 91.4cm (36in) x 15.2m (50ft) (USA)

Paper

- C7919A Basic bond paper - 61cm (24in) x 45.7m (150ft)
- C7921A Basic bond paper - 91.4cm (36in) x 45.7m (150ft)
- C7922A Basic Bond paper - 106.7cm (42in) x 45.7m (150ft)
- C7923A Basic Heavyweight Paper - 61cm (24in) x 30.5m (100ft) (USA and Asia/Pacific)
- C7924A Basic Heavyweight Paper - 91.4cm (36in) x 30.5m (100ft) (USA and Asia/Pacific)
- C7929A Super Heavyweight Paper - 61cm (24in) x 22.9m (75ft) (USA and Asia/Pacific)
- C7930A Super Heavyweight Paper - 91.4cm (36in) x 22.9m (75ft) (USA and Asia/Pacific)
- Q1396A Universal Bond Paper - 61cm (24in) x 30.5m (100ft)
- Q1397A Universal Bond Paper - 91.4cm (36in) x 30.5m (100ft)
- Q1398A Universal Bond Paper - 106.7cm (42in) x 30.5m (100ft)
- Q1721A Embossed Paper (440 gsm) - 91.4cm (36in) x 10.7m (35ft) (USA)
- Q1733A Indoor Self Adhesive Paper - 91.4cm (36in) x 22.9m (75ft) (USA)
- Q1739A Heat Transfer Paper - 91.4cm (36in) x 30.5m (100ft) (USA)
- Q1903A Polypropylene with Matte finish - 91.4cm (36in) x 22.9m (75ft)
- Q1904A Polypropylene with Matte finish - 106.7cm (42in) x 22.9m (75ft)
- Q1906A Polypropylene with Matte finish - 137.2cm (54in) x 22.9m (75ft)
- Q1907A Polypropylene with Matte finish - 152.4cm (60in) x 22.9m (75ft)
- Q1908A Polypropylene Adhesive Back print media - 91.4cm (36in) x 21.3m (70ft)
- Q1909A Polypropylene Adhesive Back print media - 106.7cm (42in) x 21.3m (70ft)



Paper and Other Media

Paper (Banner)

- C6786A Banner paper with Tyvek (140 gsm) - UV ink only - 61cm (24in) x 15.2m (50ft) roll
NO LONGER SUPPLIED
- C6787A Banner paper with Tyvek (140 gsm) - UV ink only - 91.4cm (36in) x 15.2m (50ft) roll
- C6789A Banner paper with Tyvek (140 gsm) - UV ink only - 91.4cm (36in) x 15.2m (50ft) roll

Paper (Bright White)

- C1860A Bright white InkJet paper - 61cm (24in) x 45.7m (150ft) roll
- C6035A Bright white InkJet paper - 61cm (24in) x 45.7m (150ft) roll
- C1861A Bright white InkJet paper - 91.4cm (36in) x 45.7m (150ft) roll
- C6036A Bright white InkJet paper - 91.4cm (36in) x 45.7m (150ft) roll
- C6810A Bright white InkJet paper - 91.4cm (36in) x 91.4m (300ft) roll

Paper (Coated)

- C6019A Coated Paper (98 gsm) - 61cm (24in) x 45.7m (150ft)
- C6559B Coated paper (98 gsm) - 106.7cm (42in) x 45.7m (150ft) roll (USA, Canada, and Latin America)
- C6560B Coated paper (98 gsm) - 137.2cm (54in) x 45.7m (150ft) roll (USA, Canada, and Latin America)
- C6561B Heavyweight coated paper - 106.7cm (42in) x 30.5m (100ft) roll (USA, Canada, and Latin America)
NO LONGER SUPPLIED
- C6562B Heavyweight coated paper - 137.2cm (54in) x 30.5m (100ft) roll (USA, Canada, and Latin America)
NO LONGER SUPPLIED
- C6980A Coated paper (98 gsm) - 91.4cm (36in) x 91.4m (300ft) roll (USA, Canada, and Latin America)
- C7873A Heavyweight Coated Paper - 91.4cm (36in) x 4.6m (15ft)
- C8281A Basic Coated Paper - 61cm (24in) x 45.7m (150ft) (USA and Asia/Pacific)
- C8282A Basic Coated Paper - 91.4cm (36in) x 45.7m (150ft) roll (USA and Asia/Pacific)
- Q1412A Universal Heavyweight Coated paper - 61cm (24in) x 30.5m (100ft)
- Q1413A Universal Heavyweight Coated Paper - 91.4cm (36in) x 30.5m (100ft)
- Q1416A Heavyweight Coated Paper - 152.4cm (60in) x 30.5m (100ft)
- Q1961A Coated Paper - Architectural C size (18 x 24 inches) - 100 sheets
- Q1962A Coated Paper - Architectural D size (24 x 36 inches) - 100 sheets
- C6019B Coated paper (98 gsm) - 61cm (24in) x 45.7m (150ft) roll (USA, Canada, and Latin America)
- C6021B Heavyweight coated paper - 61cm (24in) x 30.5m (100ft) roll (USA, Canada, and Latin America)
NO LONGER SUPPLIED
- C6029C Heavyweight coated paper - 61cm (24in) x 30.5m (100ft) roll - For regular or UV resistant ink
- C6020B Coated paper (98 gsm) - 91.4cm (36in) x 45.7m (150ft) roll (USA, Canada, and Latin America)
- C6022B Heavyweight coated paper - 91.4cm (36in) x 30.5m (100ft) roll (USA, Canada, and Latin America)
NO LONGER SUPPLIED
- C6030C Heavyweight coated paper - 91.4cm (36in) x 30.5m (100ft) roll - For regular or UV resistant ink

Paper (Fabric)

- Q1918A Viscose Paper-Back Fabric print media - 91.4cm (36in) x 10.1m (33ft)
- Q1919A Viscose Paper-Back Fabric print media - 106.7cm (42in) x 10.1m (33ft)
- Q1920A Viscose Paper-Back Fabric print media - 137.2cm (54in) x 10.1m (33ft)

Paper (Glossy)

- C6025A High gloss photo paper - 61cm (24in) x 30.5m (100ft) roll (USA, Canada, and Latin America)
- C6026A High gloss photo paper - 91.4cm (36in) x 30.5m (100ft) roll (USA, Canada, and Latin America)
- C6565A High gloss photo paper - 106.7cm (42in) x 30.5m (100ft) roll (USA, Canada, and Latin America)
- C6566A High gloss photo paper - 137.2cm (54in) x 30.5m (100ft) roll (USA, Canada, and Latin America)
- C8315A High Gloss Photo Paper - 61cm (24in) x 30.5m (100ft) (USA and Asia/Pacific)



Paper and Other Media

Paper (Glossy)

C8316A	High Gloss Photo Paper - 91.4cm (36in) x 30.5m (100ft) (USA and Asia/Pacific)
Q1426A	Universal High-Gloss Photo Paper - 61cm (24in) x 30.5m (100ft)
Q1427A	Universal High-Gloss Photo Paper - 91.4cm (36in) x 30.5m (100ft)
Q1428A	Universal High-Gloss Photo Paper - 106.7cm (42in) x 30.5m (100ft)
Q1429A	Universal High-Gloss Photo Paper - 137.2cm (54in) x 30.5m (100ft)
Q1430A	Universal High-Gloss Photo Paper - 152.4cm (60in) x 30.5m (100ft)
Q1958A	Premium High-gloss Film - A4 size (21.0cm x 29.7cm) - 10 sheets
C6814A	High gloss photo paper - 91.4cm (36in) x 30.5m (100ft) roll

Paper (Photo)

C6813A	High gloss photo paper - 61cm (24in) x 30.5m (100ft) roll
C7874A	High Gloss Photo Paper - 91.4cm (36in) x 3.0m (10ft)
C7946A	Photo Paper RC Matte - 91.4cm (36in) x 30.5m (100ft) (USA)
C8310A	Basic Photo Satin paper - 61cm (24in) x 30.5m (100ft) (USA and Asia/Pacific)
C8311A	Basic Photo Satin paper - 91.4cm (36in) x 30.5m (100ft) (USA and Asia/Pacific)
Q1420A	Semi-Gloss Photo Paper - 61cm (24in) x 30.5m (100ft)
Q1421A	Semi-Gloss Photo Paper - 91.4cm (36in) x 30.5m (100ft)
Q1422A	Semi-Gloss Photo Paper - 106.7cm (42in) x 30.5m (100ft)
Q1424A	Semi-Gloss Photo Paper - 152.4cm (60in) x 30.5m (100ft)
C6950A	Premium Plus matte inkjet photographic paper - A size (8.5 x 11-inches) - 20 sheets per package

Paper (Poster)

C7949A	Outdoor Billboard Paper - Blue back - 91.4cm (36in) x 30.5m (100ft) (USA)
--------	---

Paper (Satin)

C7952A	Proofing Paper RC Satin - 91.4cm (36in) x 30.5m (100ft) (USA)
--------	---

Paper (Semi-Glossy)

C6023A	Semi-gloss photo paper - 61cm (24in) x 30.5m (100ft) roll (USA, Canada, and Latin America)
C6024A	Semi-gloss photo paper - 91.4cm (36in) x 30.5m (100ft) roll (USA, Canada, and Latin America)
C6563A	Semi-gloss photo paper - 106.7cm (42in) x 30.5m (100ft) roll (USA, Canada, and Latin America)
C6564A	Semi-gloss photo paper - 137.2cm (54in) x 30.5m (100ft) roll (USA, Canada, and Latin America)

Paper (Tracing)

C3869A	Natural tracing paper - 61cm (24in) x 45.7m (150ft) roll
C3868A	Natural tracing paper - 91.4cm (36in) x 45.7m (150ft) roll

Paper (Translucent)

C3860A	Translucent bond paper - 61cm (24in) x 45.7m (150ft) roll
C3859A	Translucent bond paper - 91.4cm (36in) x 45.7m (150ft) roll

Vellum

C3862A	Vellum - 61cm (24in) x 45.7m (150ft) roll
C3861A	Vellum - 91.4cm (36in) x 45.7m (150ft) roll

Vinyl (Adhesive)

C6775A	Colorfast adhesive vinyl (328 gsm) - 91.4cm (36in) x 12.2m (40ft) roll - For regular ink or UV-resistant ink
--------	--

Stand Parts

Bin

326 C6072-60208	Media bin - Between printer stand legs
-----------------	--



Stand Parts

Cover

C6074-60275 Media bin cover - Used to protect high gloss photo paper from scratches caused by contact with the media bin

Cross-Brace

328 C6072-60185 Cross-brace - Main structure that extends between stand legs

Foot

329 C6072-60182 Foot assembly (Includes casters)

Hardware Kit

C6072-60180 Hardware kit for printer stand - Includes screwdriver and screws

Leg

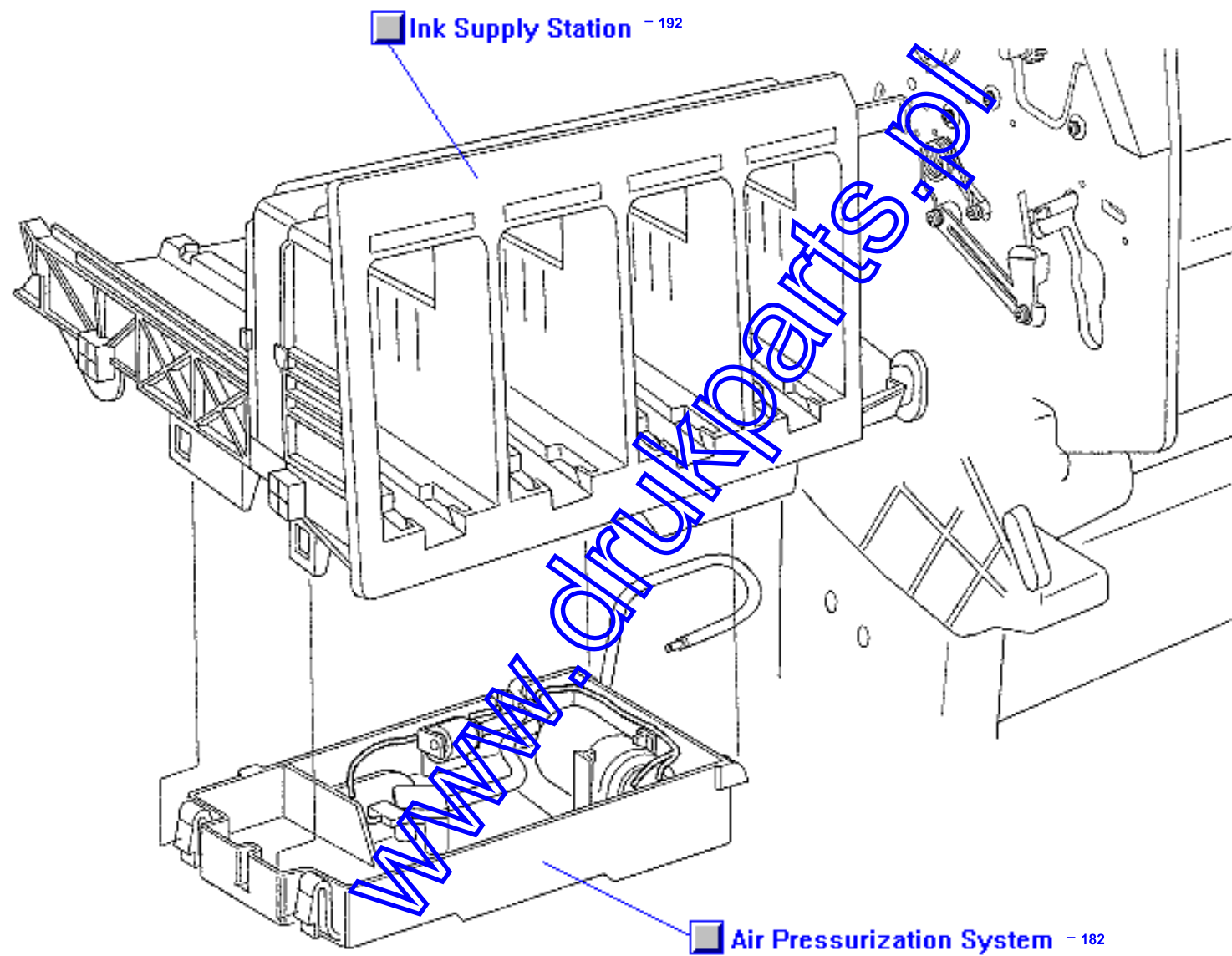
331 C6072-60184 Leg assembly - Side support for the printer - Does NOT include the foot assembly

Tray

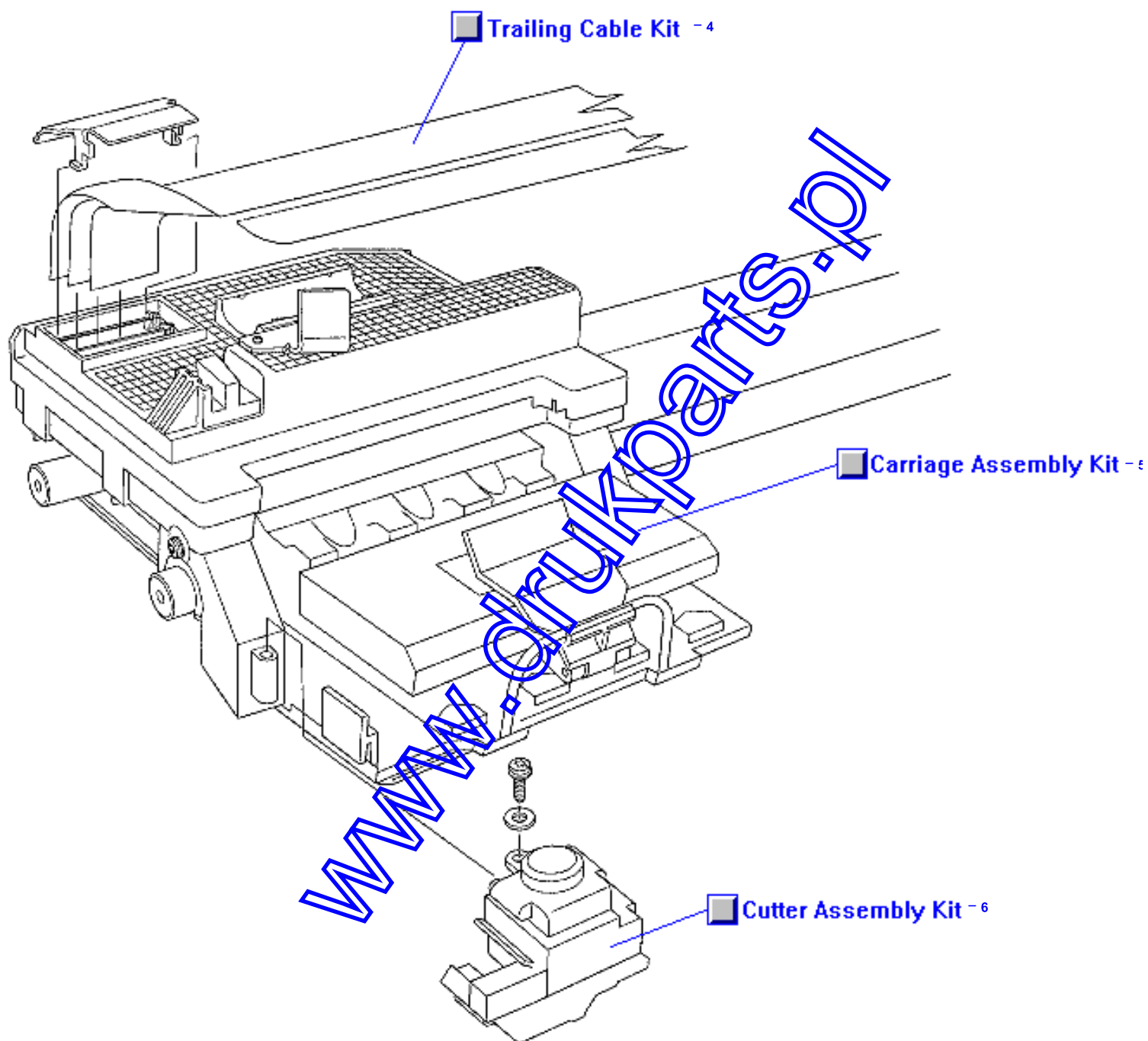
332 C6072-60183 Printer stand tray - Mounted between the feet of printer

www.drukparts.pl

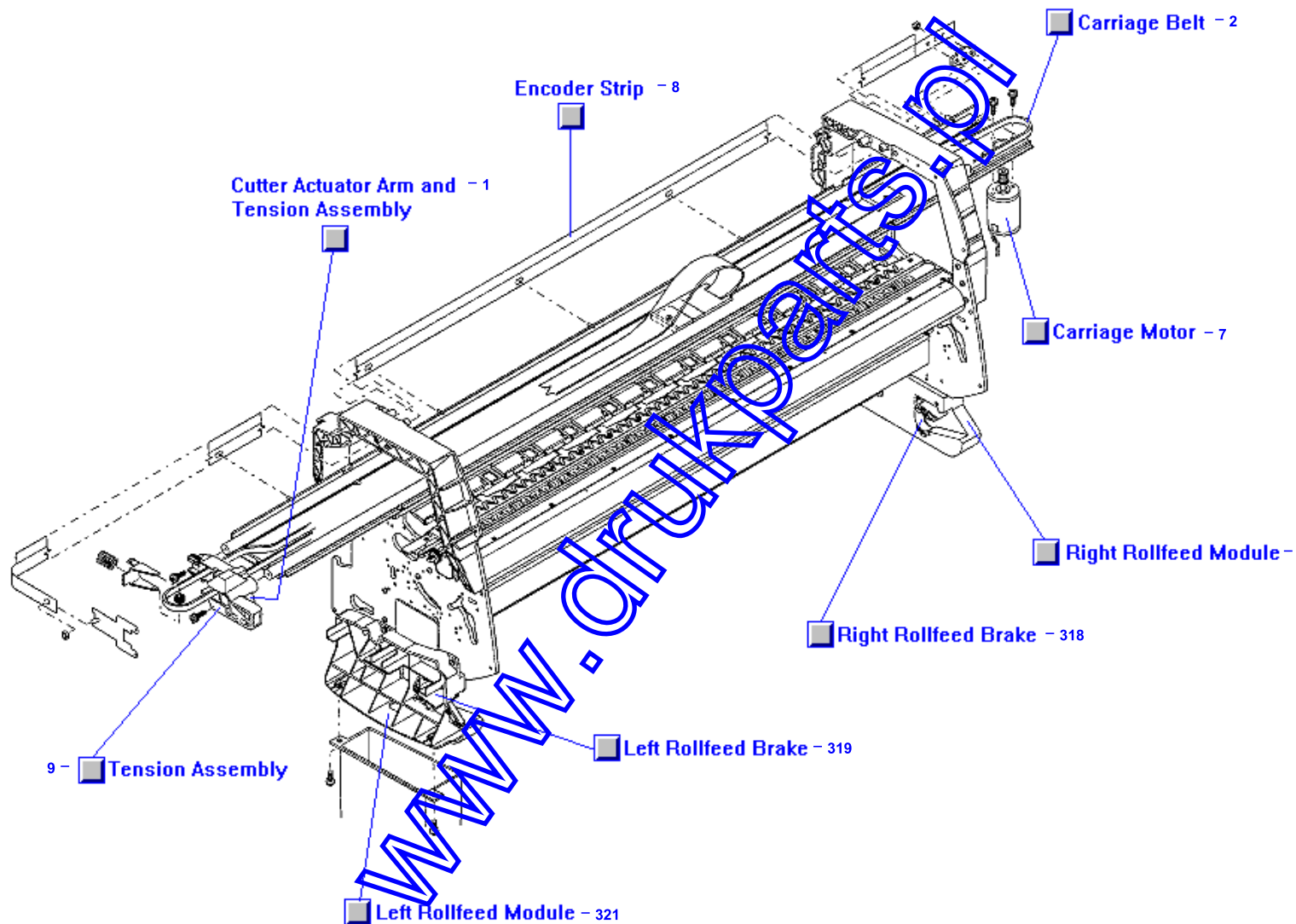
Air Pressurization System, Ink Supply Station



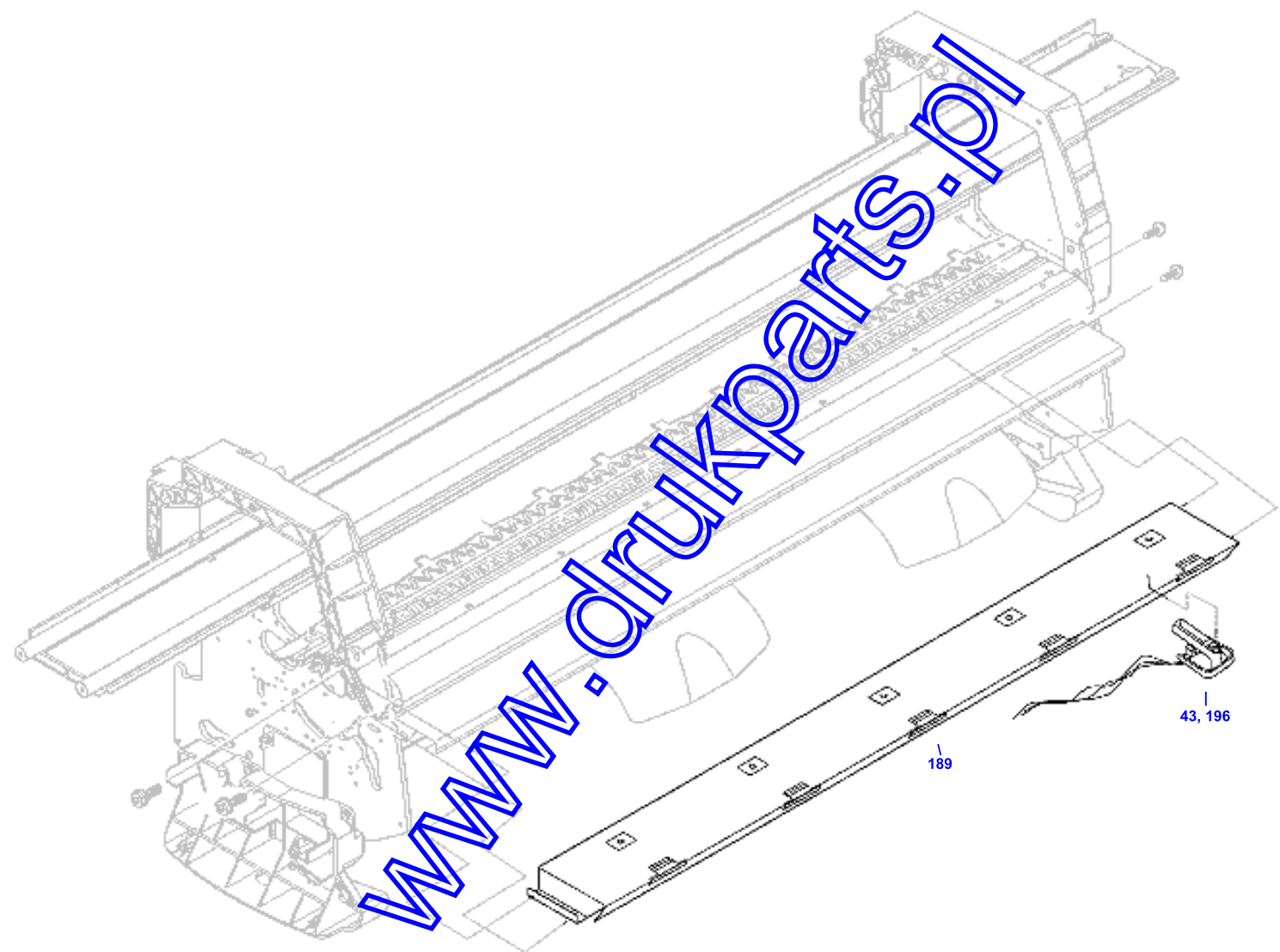
Carriage Assembly, Cutter Assembly, Trailing Cable



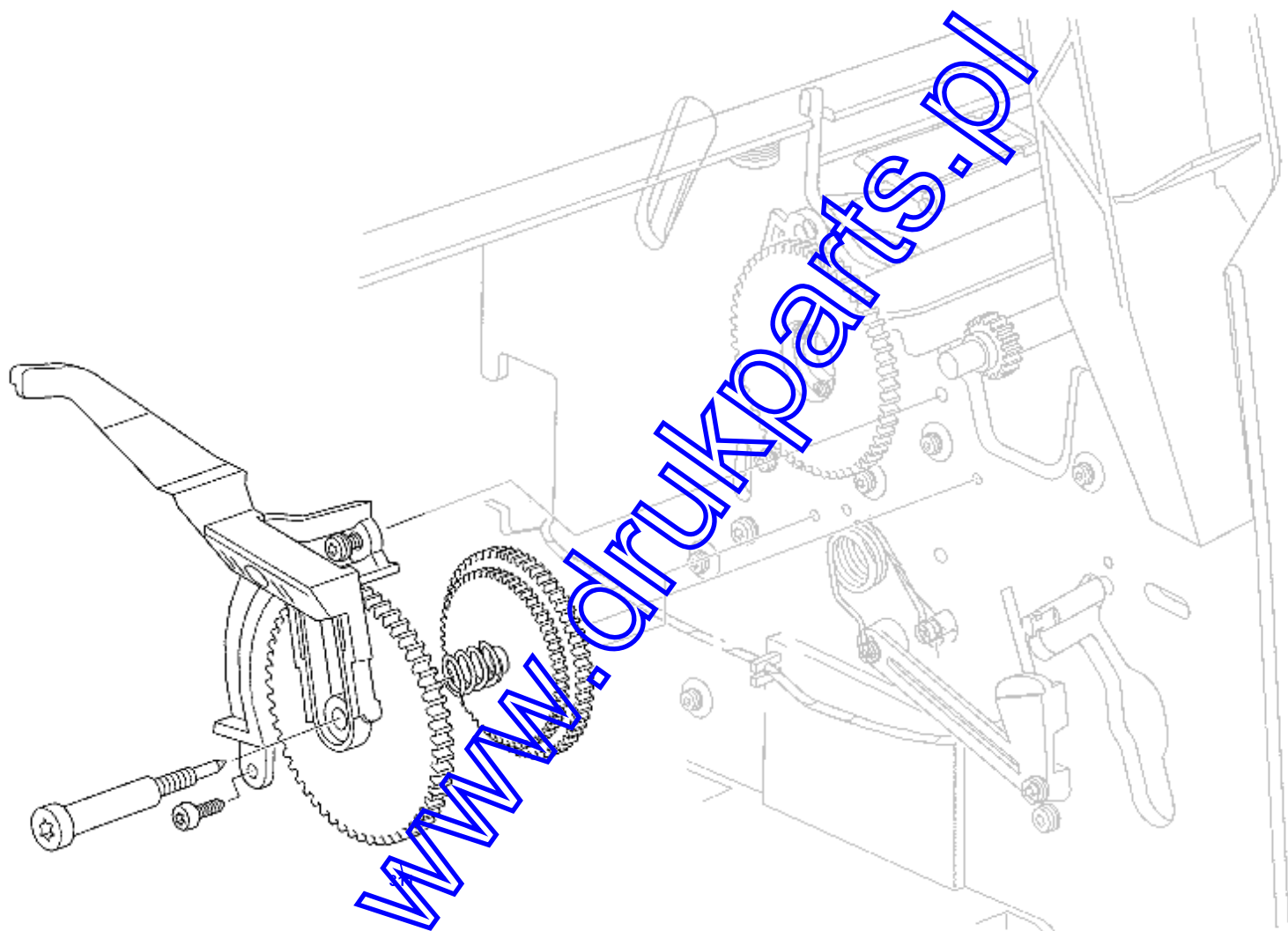
Carriage Motor, Carriage Belt, Encoder, Rollfeed



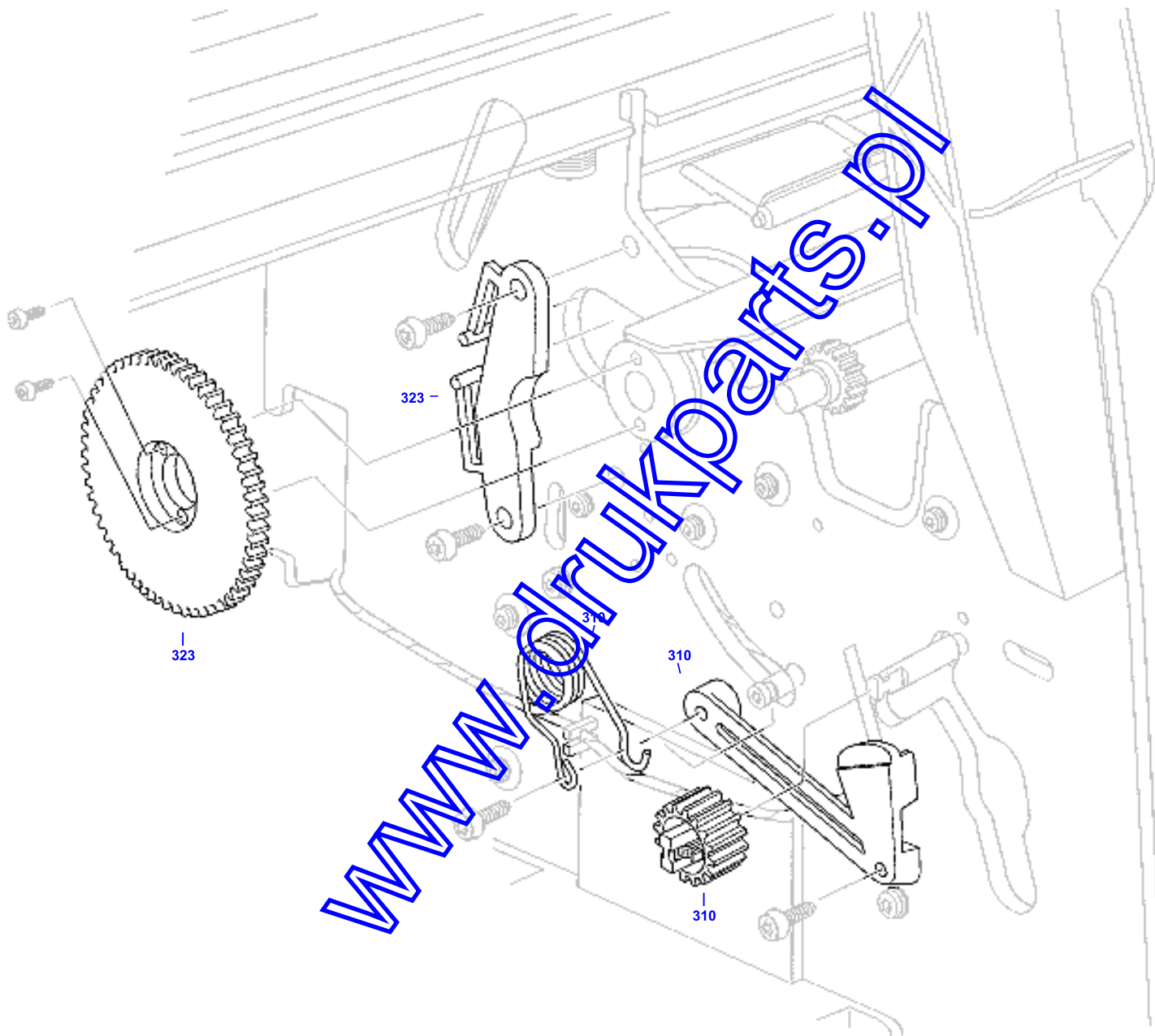
Center Guide and Media Sensor



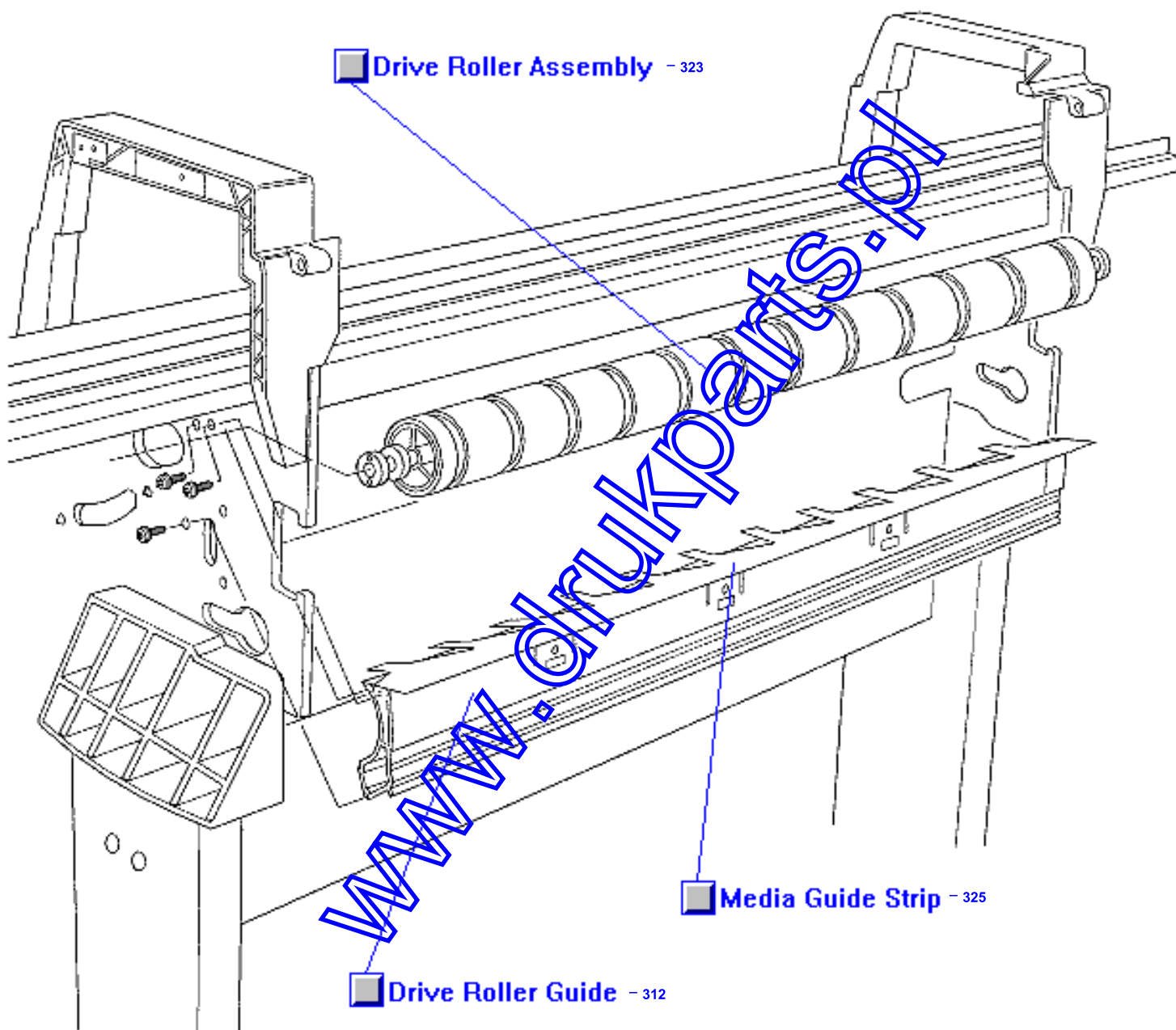
Clutch Assembly



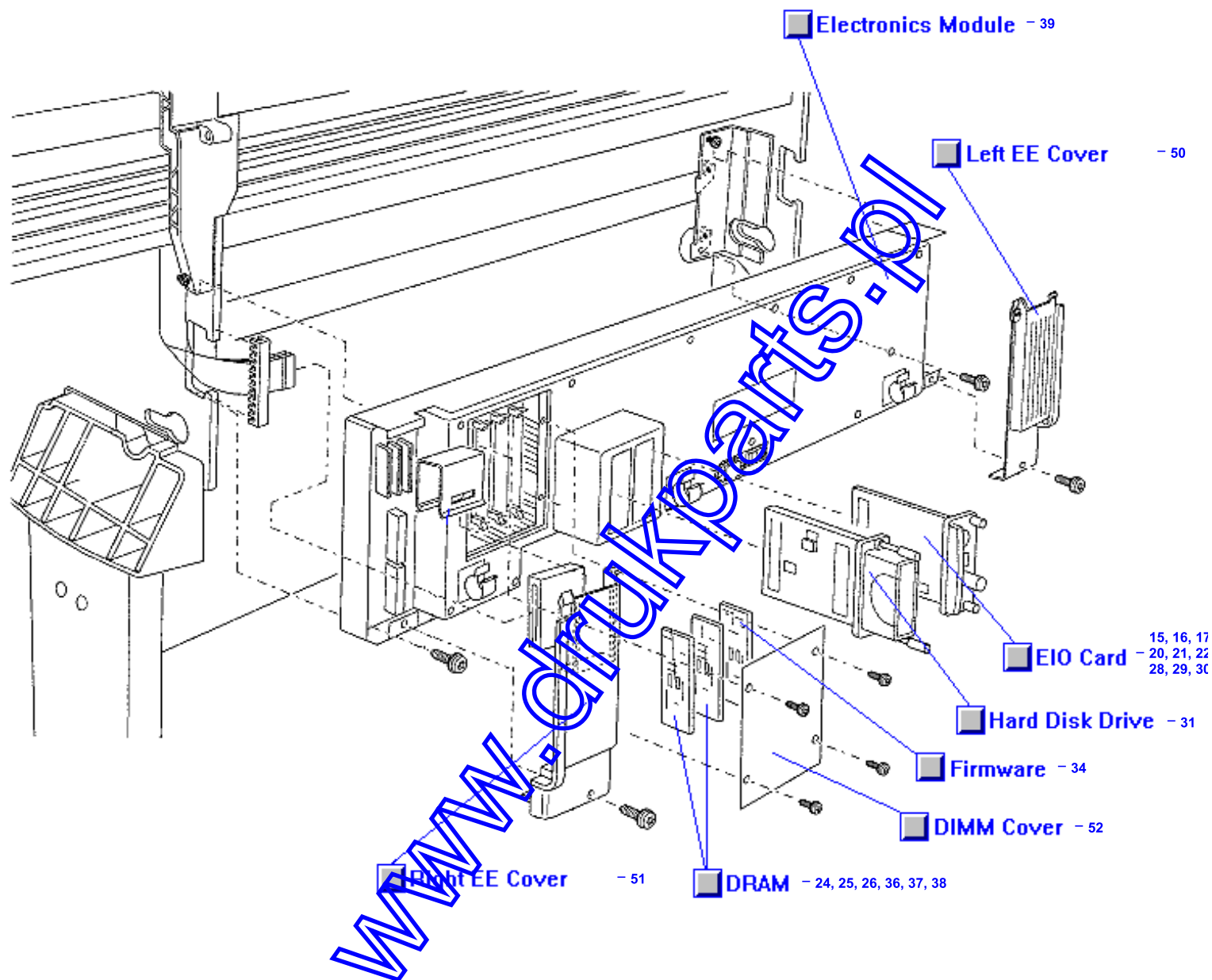
Drive Roller Gear and Miscellaneous ARSS Parts



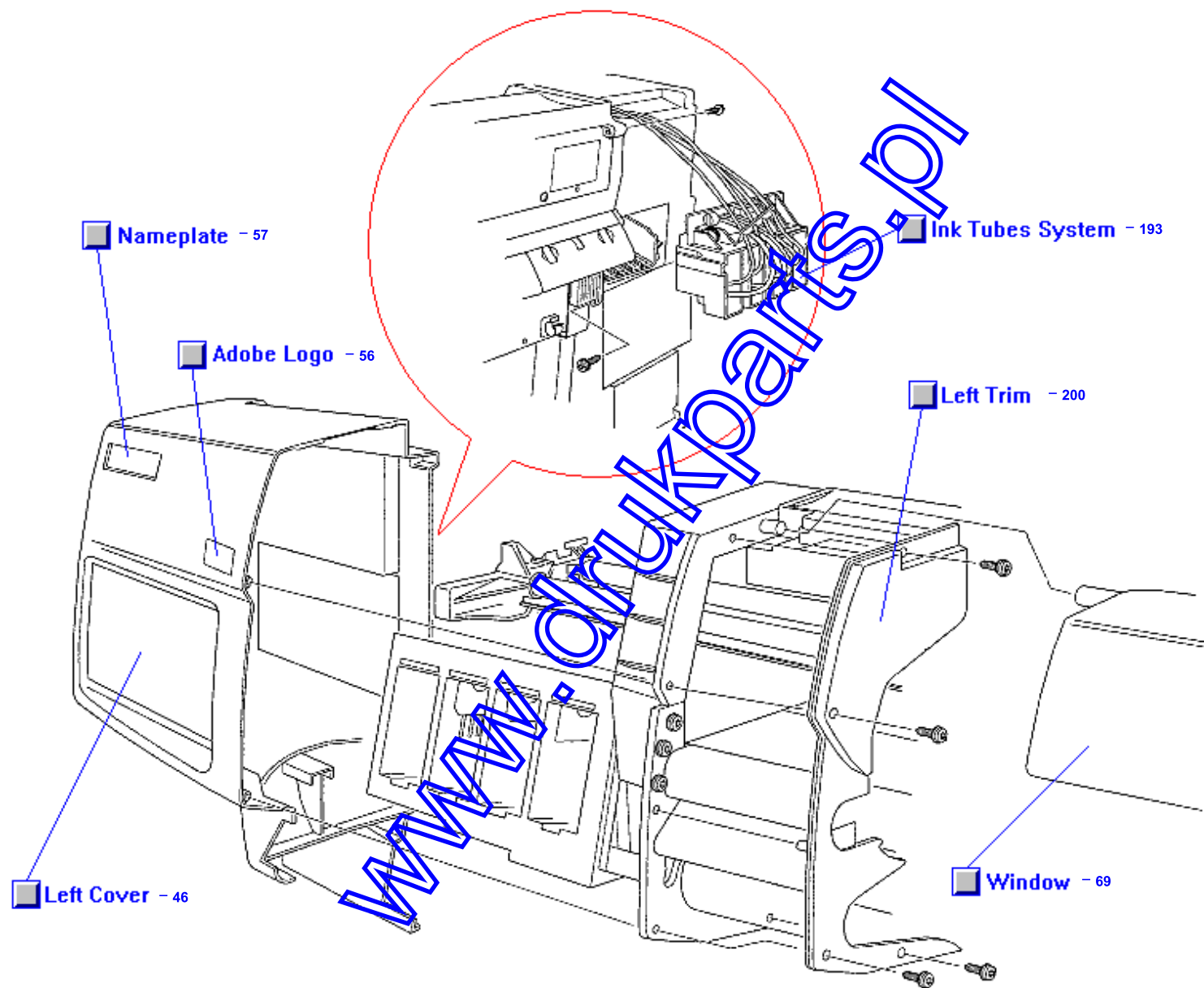
Drive Roller, Drive Roller Guide, Media Guide Strip



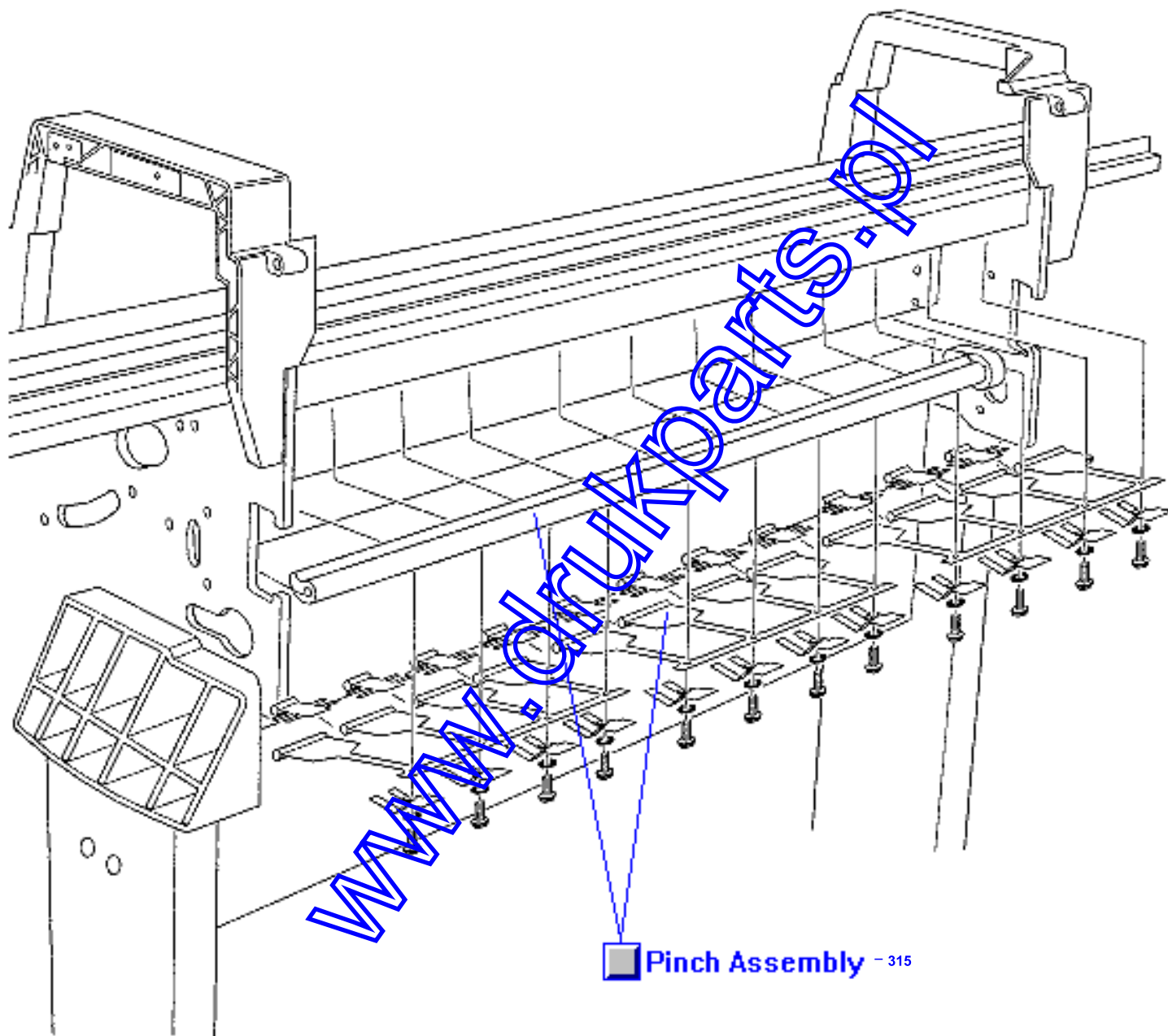
Electronics Module and Plug-in Devices



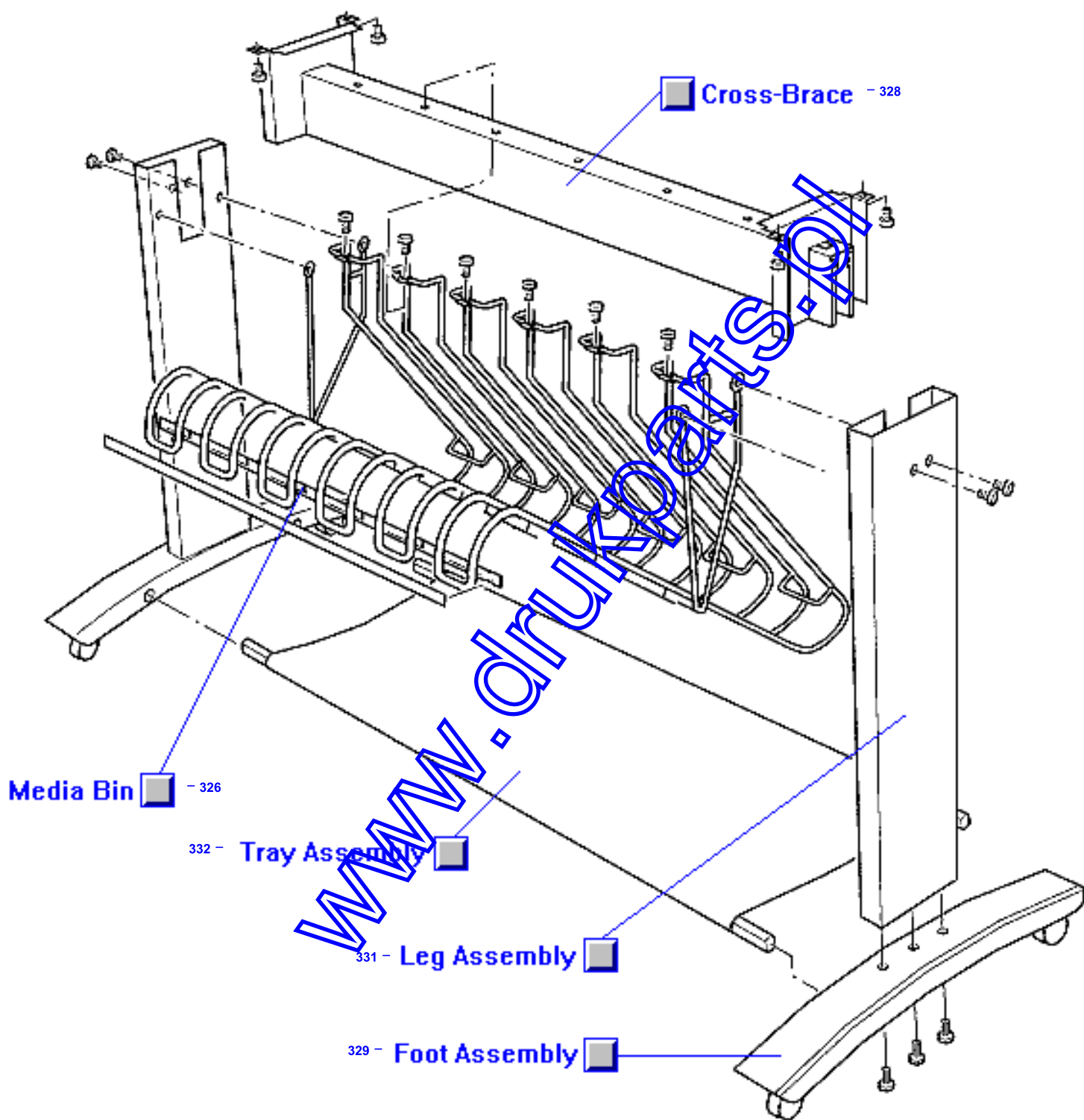
Left Cover, Ink Tubes System, Window



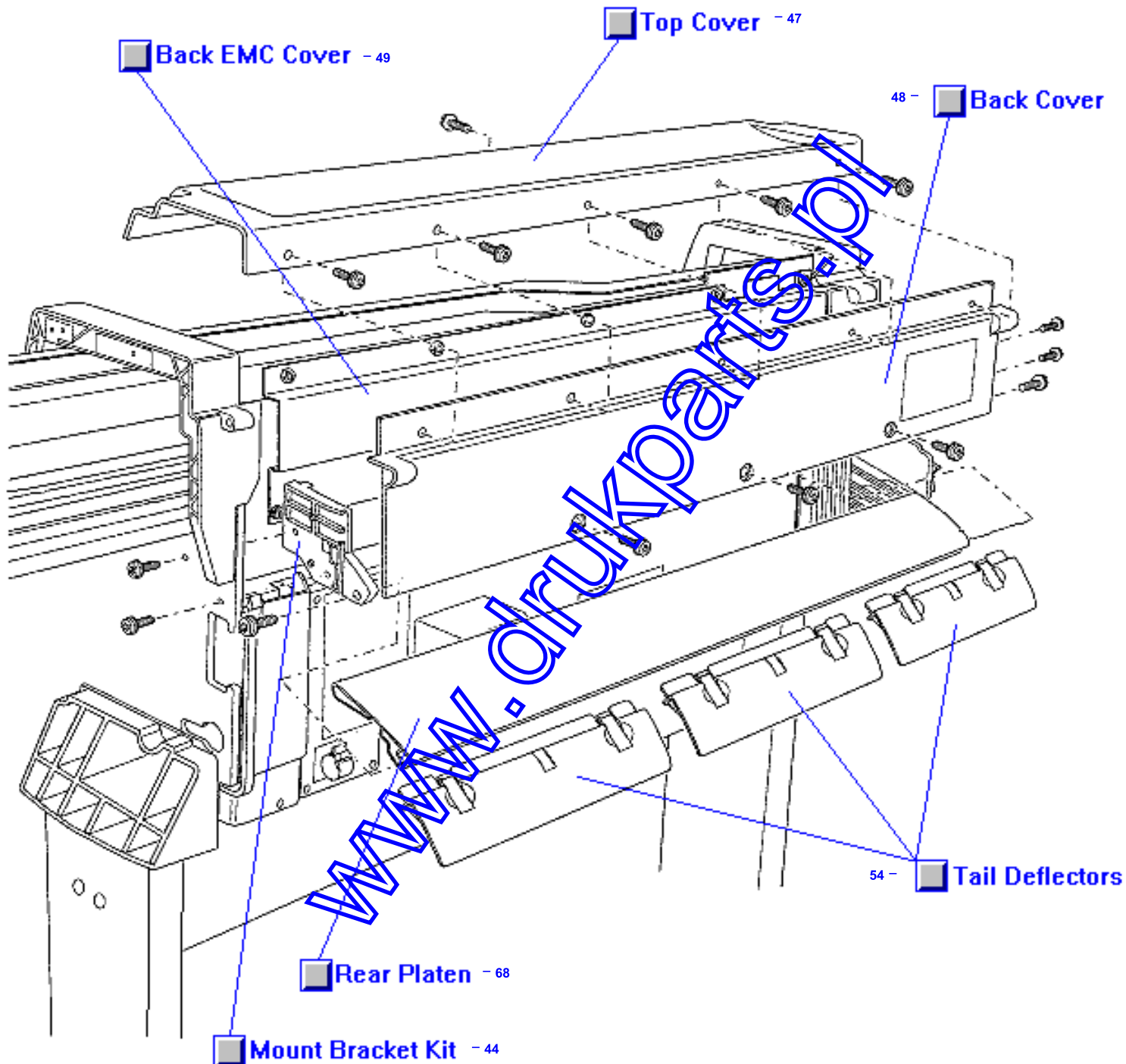
Pinch Assembly



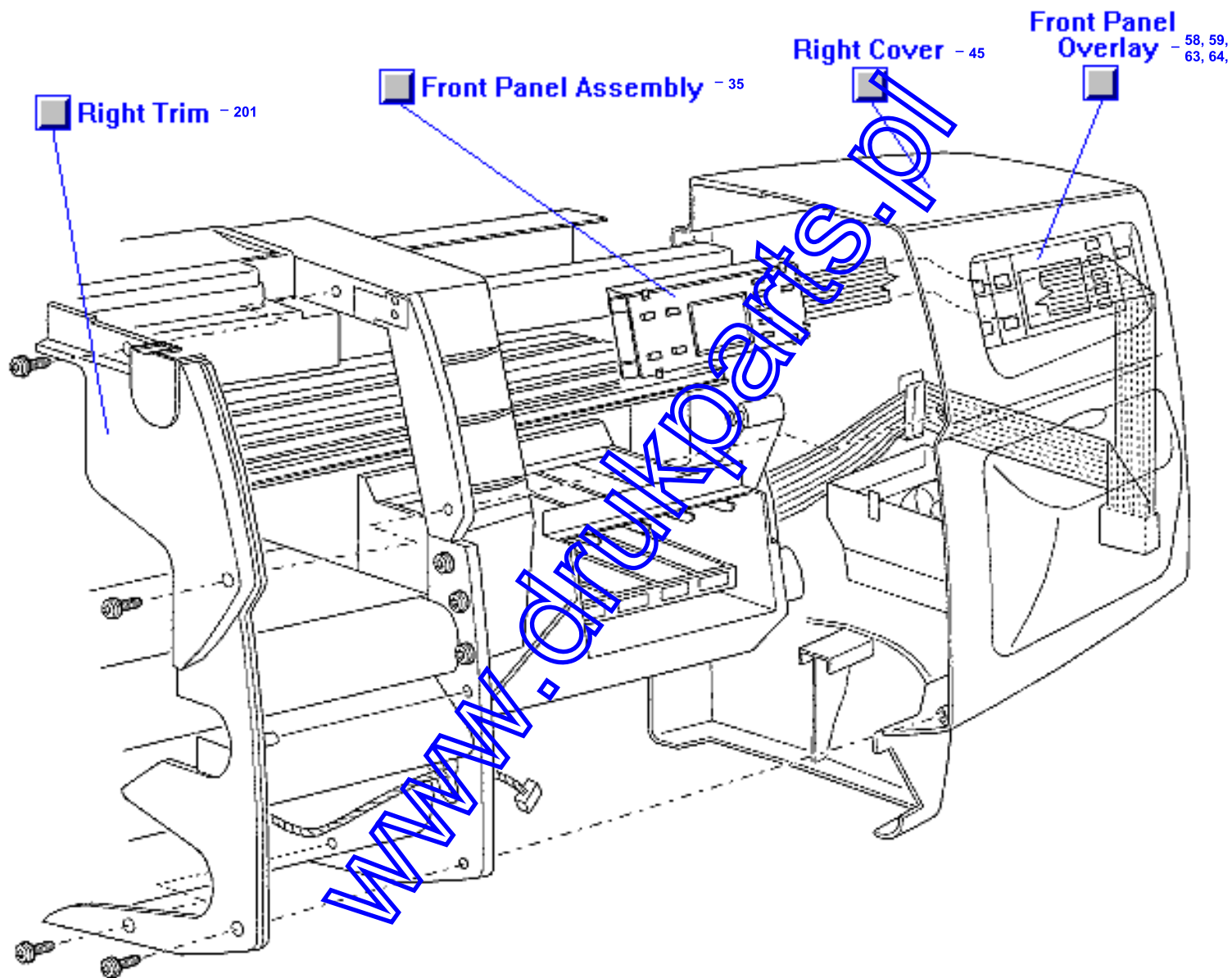
Printer Stand



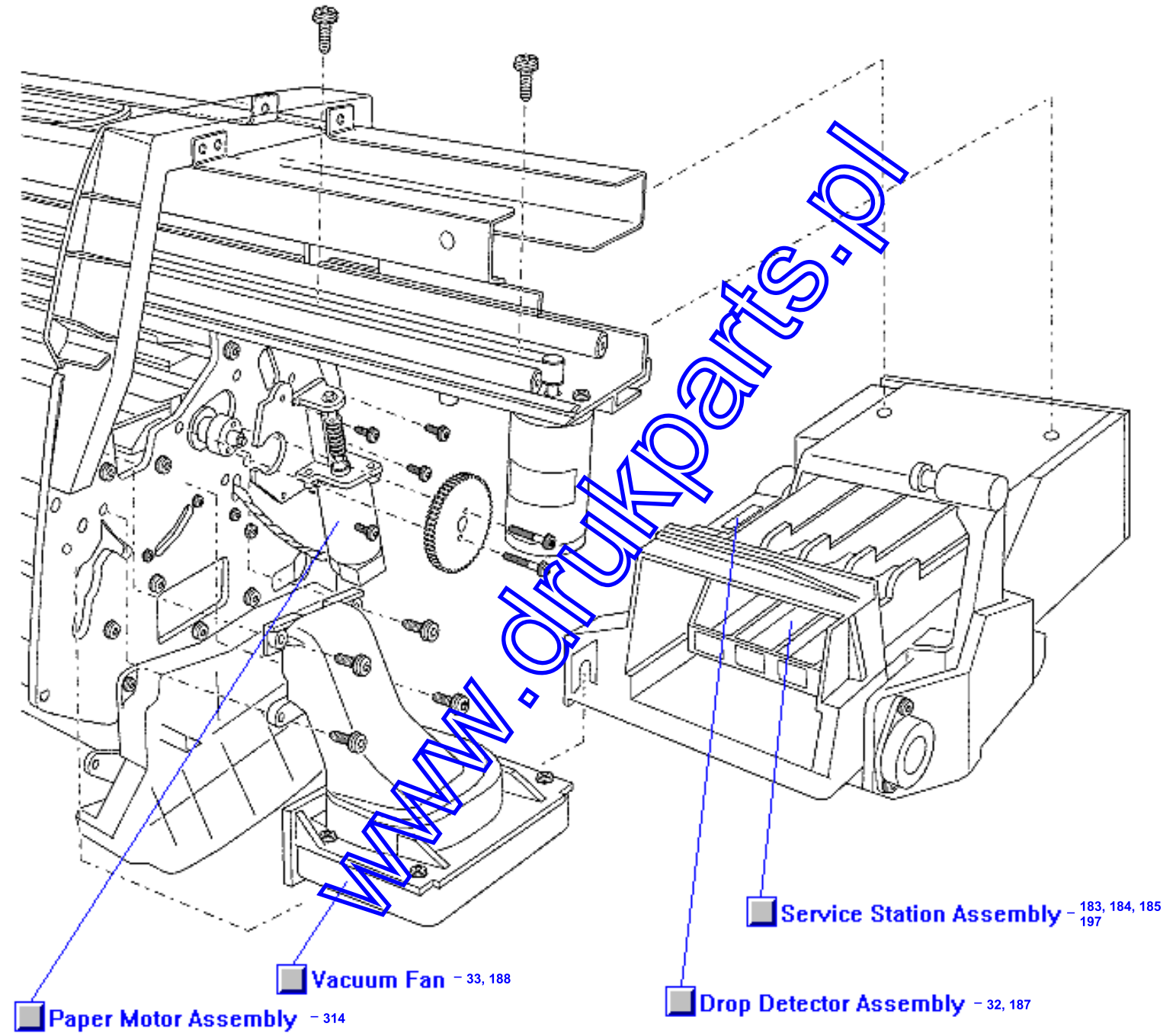
Rear Covers



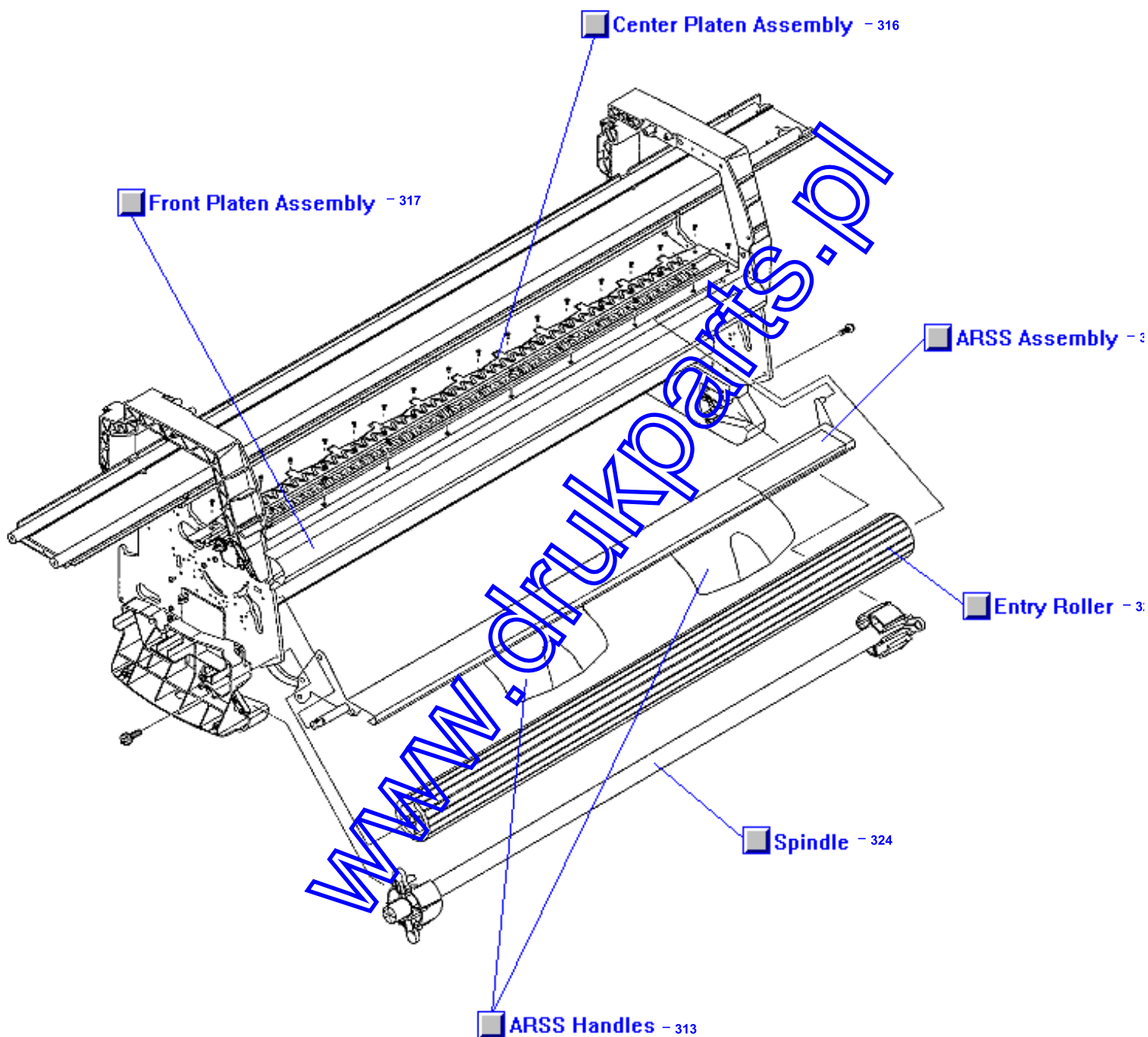
Right Cover and Front Panel Assembly



Service Station, Vacuum Fan, Paper Motor

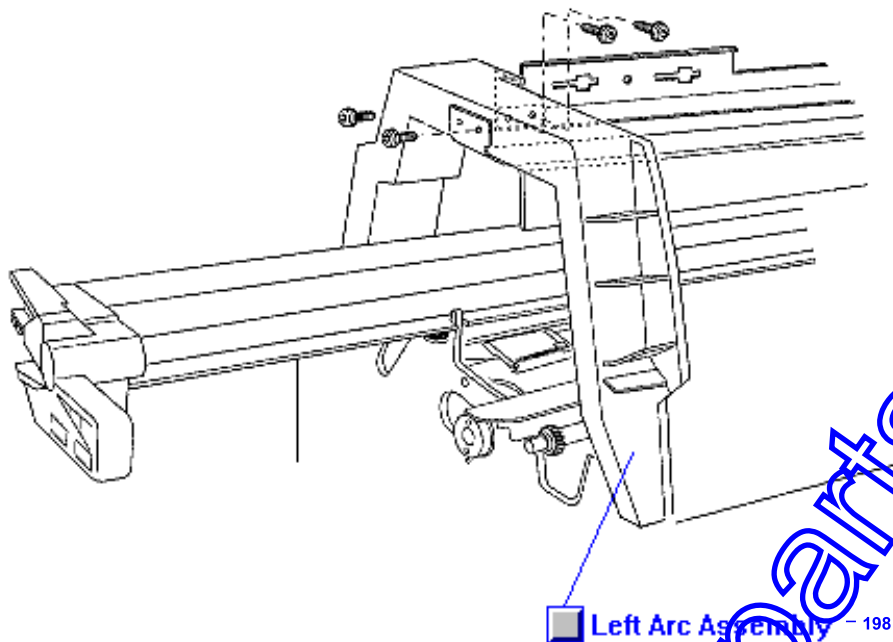


Spindle and Paper Path Parts

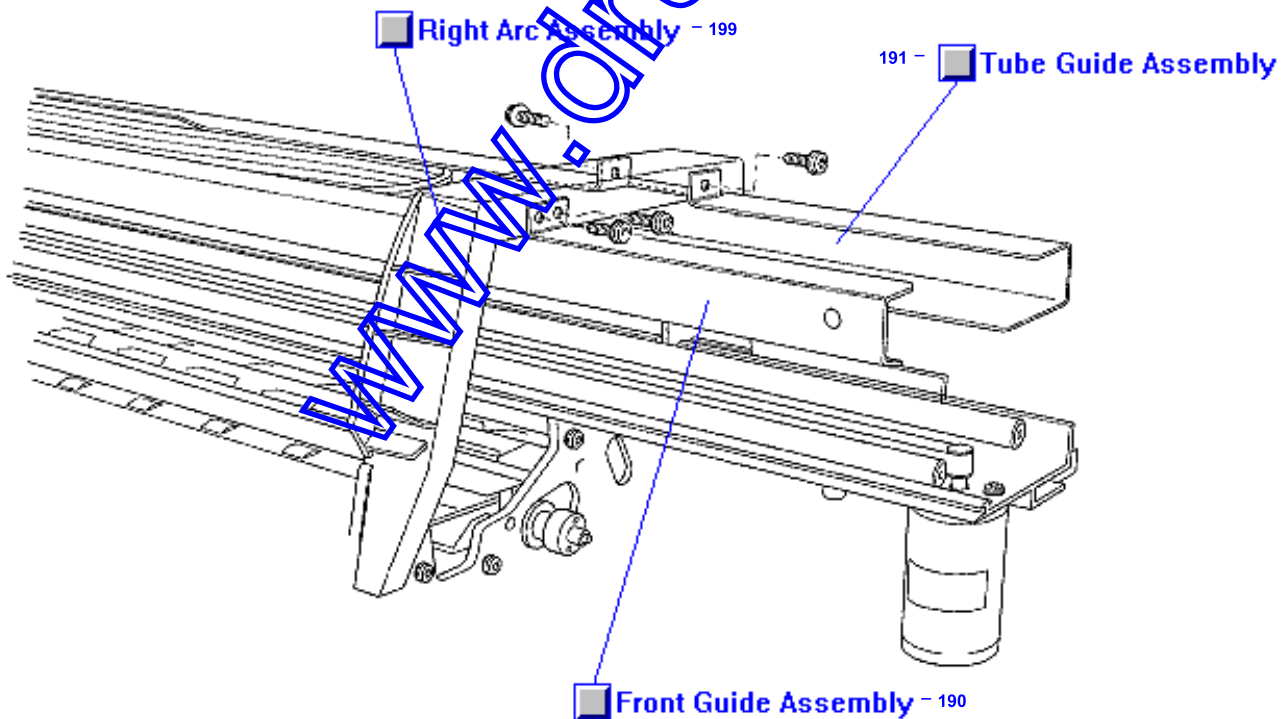


Tubes Guide, Front Guide, Left and Right Arcs

Left View



Right View





HP Parts Reference Guide

<http://www.hp.com/go/parts>

HP PartSurfer

<http://partsurfer.hp.com>

HP Parts Ordering Information

<http://www.hp.com/go/hpparts>

HP Parts Questions/Comments

<http://partsurfer.hp.com/contactus.htm>

www.drukparts.pl