

**250 Sheet Cassette**
**Clutch**

1 RB1-8974-000CN Separation roller clutch - Torque limiter

**Indicator**

2 RB1-9009-000CN Level indicator - Small oval button on front left side of tray - Moves vertically to show amount of paper in tray

**Lifter**

3 RB1-9012-000CN Lifter arm - White plastic arm that holds top left side metal corner piece up when loading paper in tray

4 RB1-9013-000CN Lifter arm - White plastic arm that holds top right side metal corner piece up when loading paper in tray

**Panel**

5 RB1-9001-000CN Separation roller access panel

**Roller**

6 RF5-1885-000CN Feed/separation roller - Roller is gray with blue tab protruding out one side

**Spring**

7 RB1-9016-000CN Torsion spring - Provides tension for right and left tray lifter arms

**Tray**

RG5-3400-210CN 250 sheet paper cassette (Tray 2) - Holds media for main paper tray

**500 Sheet Paper Feeder**
**Roller**

9 RF5-1885-000CN Feed/separation roller - Roller is gray with blue tab protruding out one side

**Tray**

RG5-3900-000CN 500 sheet paper cassette (Tray 3) - Holds media for 500 sheet paper tray

**Electronic Accessories**
**Cable (Interface)**

5063-1254 IEEE-1284 Bi-Tronics parallel cable - DB-25 (M) connector (type A) to 36 pin high density IEEE-1284C (M) connector (type C) - 3.0m (9.8ft) long

5063-1255 IEEE-1284 Bi-Tronics parallel cable - DB-25 (M) connector (type A) to 36 pin high density IEEE-1284C (M) connector (type C) - 10m (33ft) long

92215S RS-422 serial cable - 8 pin (M) to 8 pin (M) - 2.0m (6.6ft) long - For connecting Apple Macintosh with LocalTalk/serial connector

C2946A IEEE-1284 Bi-Tronics parallel cable - DB-25 (M) connector (type A) to 36 pin high density IEEE-1284C (M) connector (type C) - 3.0m (9.8ft) long

C2947A IEEE-1284 Bi-Tronics parallel cable - DB-25 (M) connector (type A) to 36 pin high density IEEE-1284C (M) connector (type C) - 10m (33ft) long

**Drive**

J6054-61001 5GB EIO hard drive - (J6054A)

J6054-61031 *New Part for J6054-61001*

**Interface (Product)**

J6057A JetDirect 615N internal print server (10Base-T and 100Base-TX) LAN interface board - Plugs into peripheral EIO slot - Has a RJ-45 connector - Comes with software on CD-ROM and manual

J6057AR JetDirect 615N internal print server (10Base-T and 100Base-TX) LAN interface board - Plugs into peripheral EIO slot - Has a RJ-45 connector - Comes with software on CD-ROM and manual

**Memory (DIMM)**

C7842-67901 8MB, 100-pin SDRAM DIMM memory module

C7843-67901 16MB, 100-pin SDRAM DIMM memory module

C7845-67901 32MB, 100-pin SDRAM DIMM memory module

C7848-60001 64MB SDRAM DIMM memory module

C7848-67901 *New Part for C7848-60001*

C7850-67901 128MB, 168-pin SDRAM DIMM memory module

**Electronic Accessories****Memory (Product)**

C4292A	8MB Traditional Chinese MROM DIMM - For LaserJet 4000 and 5100 series printers
C4293A	8MB Simplified Chinese MROM DIMM - For LaserJet 4000 and 5100 series printers
C7842A	8MB, 100-pin SDRAM DIMM memory module
C7843A	16MB, 100-pin SDRAM DIMM memory module
C7845A	32MB, 100-pin SDRAM DIMM memory module
C7848A	64MB, 168-pin SDRAM DIMM memory module
C7850A	128MB, 168-pin SDRAM DIMM memory module - For LaserJet 4550 series printers
Q1887A	64MB, 100-pin synchronous SDRAM DIMM memory module
YS-90210	8MB Japanese font DIMM - For HP LaserJet NO LONGER SUPPLIED

**External Case Parts****Cover**

33	RB2-1203-000CN	Right side cover
34	RB2-1205-000CN	Right rear corner cover - A/C input connector cover
	RB2-1206-000CN	Lower rear cover
36	RB2-1224-000CN	Connector cover
37	RG5-3310-000CN	Right front cover
38	RG5-3320-000CN	Intermediate transfer belt drawer cover
39	RG5-5150-000CN	Top cover assembly
40	RG5-5151-000CN	Left side cover assembly
41	RG5-5152-000CN	Drum drawer cover

**Door**

42	RF5-3132-000CN	Cover T TAB - 'T' shaped plastic piece at each end of the toner carousel cover flap
43	RF5-3137-000CN	Toner access door - Paper output bin
44	RG5-3325-080CN	Rear access door assembly

**Extension**

45	RB2-1215-000CN	Tray extension - Attaches to ITB drawer - Supports media in tray 1
----	----------------	--

**Foot**

	XH9-0103-000CN	Plastic foot - Black plastic with push-on mount
--	----------------	---

**Overlay**

	C4084-40001	Color LaserJet 4500 control panel overlay (English)
	C4084-40003	Color LaserJet 4500 control panel overlay (French)
	C4084-40004	Color LaserJet 4500 control panel overlay (Italian)
	C4084-40005	Color LaserJet 4500 control panel overlay (German)
	C4084-40006	Color LaserJet 4500 control panel overlay (Spanish)
	C4084-40007	Color LaserJet 4500 control panel overlay (Dutch)
	C4084-40008	Color LaserJet 4500 control panel overlay (Danish)
	C4084-40009	Color LaserJet 4500 control panel overlay (Finnish)
	C4084-40010	Color LaserJet 4500 control panel overlay (Norwegian)
	C4084-40011	Color LaserJet 4500 control panel overlay (Swedish)
	C4084-40012	Color LaserJet 4500 control panel overlay (Portuguese)
	C4084-40013	Color LaserJet 4500 control panel overlay (Polish)
	C4084-40014	Color LaserJet 4500 control panel overlay (Traditional Chinese)
	C4084-40015	Color LaserJet 4500 control panel overlay (Korean)
	C4084-40016	Color LaserJet 4500 control panel overlay (Russian)
	C4084-40017	Color LaserJet 4500 control panel overlay (Czechoslovakian)
	C4084-40018	Color LaserJet 4500 control panel overlay (Simplified Chinese)

**External Case Parts**

**Overlay**

C4084-40020 Color LaserJet 4550 control panel overlay (Japanese)

**Status Panel**

65 RG5-5200-000CN Control panel assembly

**Interface Board Parts**

**PC Board (Interface)**

J3110-69001 JetDirect 600N EIO internal print server 10Base-T LAN interface board - Has one RJ-45 connector - (J3110A) - NOTE: EIO Interface Boards are NOT Interchangeable with MIO Boards

J6057-69001 *New Part for J3110-69001*

**Internal Components**

**Bearing**

67 XG9-0361-000CN Ball bearing - Rotary assembly bearing

**Belt**

68 C7085-69002 Intermediate Transfer Belt (ITB) assembly  
REQUIRES RETURN OF DEFECTIVE PART

RG5-5173-130CN *New Part for C7085-69002*

**Brake**

69 RG5-3309-000CN Brake assembly - Holds toner cartridge drum in place while toner cartridge access door is open

70 RG5-5163-000CN Brake assembly - Holds toner cartridge drum in place while toner cartridge access door is open

**Bushing**

RB2-0830-000CN Lift plate bushing - White plastic bushing with four tangs on one side

72 RG5-5169-000CN Drum bushing assembly - Supports left side of drum assembly

**Cable**

73 RG5-3782-000CN Cable assembly - 3 pin (F) connectors on each end - 5.5cm (2.2 inches) long

RG5-3786-000CN Cable assembly - A 14 pin (F) connector to both an 8 pin (F) connector and a 7 pin (F) connector - 16.3cm (6.4 inches) long

75 RG5-3795-000CN Rotary cable - From DC controller to carousel sensors

76 RG5-3802-000CN Control panel cable - Between control panel and interconnect PC board

77 RG5-3886-000CN Fuser sensor cable - From fuser sensors to DC controller

78 RG5-4650-000CN Cable assembly with ferrite - Large 4 pin (M) connector to small 4 pin (F) connector - 34.9cm (13.8 inches) long

79 RG5-4651-000CN ITB switch cable

80 RG5-5186-000CN Main cable assembly

81 RG5-5187-000CN Developer cable - From DC controller PC board to developing PC board

82 RG5-5195-000CN Cable assembly with ferrites - Has two 7 pin (F) connectors - 20.0cm (7.9 inches) long

83 RH2-5335-000CN Ribbon cable - Has two 32 pin (M) edge connectors - 3.7cm (1.5 inches) long

84 RH2-5400-000CN Laser cable - Flat ribbon cable

**Carousel**

85 RG5-5249-090CN Rotary assembly - Toner cartridge carousel

**Cover**

86 RB2-1180-000CN Cable cover

**Drawer**

RG5-3191-000CN Lower drawer assembly - Includes lower registration roller, sensors PS1, PS2, PS301, and clutch CL1

88 RG5-5120-140CN ITB drawer

**Drive Assembly**

89 RG5-5206-000CN Drum drive assembly - Drives print drum and ITB assembly

**Fan**

90 RH7-1407-000CN Fan (Small)

91 RH7-1435-000CN Fan (Large)

**Internal Components**
**Filter**

- 92 RB2-1282-000CN Air filter - Large filter
- 93 RB2-1283-000CN Air filter - For small fan

**Gear**

- 94 RS6-0176-000CN Drive gear - 125 tooth gear without ball bearing

**Guide**

- 95 RB2-1277-000CN Main cable guide - Protects and secures main cable
- 96 RB2-1456-000CN Lower cable guide

**Handle**

- 97 RB2-1361-000CN ITB drawer handle

**Laser/Scanner**

- 98 C4084-69010 Laser/scanner assembly  
REQUIRES RETURN OF DEFECTIVE PART
- RG5-5175-000CN New Part for C4084-69010*

**Paper Output Unit**

- 99 RG5-5135-000CN Face-down delivery assembly - Delivers media from fuser to top face-down output bin

**Rod**

- 100 RB2-1284-000CN Sensor rod - Actuates rear door open sensor

**Sensor**

- 101 FH7-7313-000CN Photo sensor - Paper delivery sensor
- 102 RG5-3292-000CN Waste toner sensor - Monitors level in waste toner reservoir
- 103 RG5-3355-000CN Toner level sensor assembly
- 104 RG5-5129-000CN Photo sensor - Fuser pressure release sensor
- 105 WG8-5362-000CN Optical sensor

**Spacer**

- 106 RS5-6210-000CN Spacer for rotary drive assembly

**Spring**

- 107 RS5-2754-000CN Rod spring - Provides tension for delivery rod
- RS6-2255-000CN T-tab spring - Provides tension for toner cartridge cover flap

**Strap**

- 109 RB2-1556-000CN Cover support strap - Support rear door - Right side

**Switch**

- 110 RG5-3296-000CN Drawer switch assembly - Door open sensor for both drawers
- 111 RG5-5170-060CN Door switch assembly for rear door and cartridge access door
- 112 WC2-5330-000CN ITB microswitch - Verifies ITB is seated correctly

**Logic/Control Electronics**
**Memory (DIMM)**

- C9130-67906 Firmware DIMM Upgrade - Version 1.018.0

**PC Board**

- C4207-60001 I/O daughter PC board - "L" shaped PC board that plugs into Formatter board - This board contains the parallel and C-link connectors - Not a Jet Direct board
- 115 C4227-69002 Formatter PCA  
REQUIRES RETURN OF DEFECTIVE PART
- C4227-60001 New Part for C4227-69002*
- 116 RG5-3810-000CN Paper feed PC board
- 117 RG5-3816-000CN Paper size sensor board
- 118 RG5-5180-000CN Developing PC board
- 119 RG5-5254-000CN DC controller board

**Logic/Control Electronics**
**Power Cord**

RH2-5263-000CN Power cord (Gray) - 14 AWG, 2.3m (7.5ft) long - Has straight (F) receptacle (For 120V in the USA and Canada)

**MP Tray Pick-up Assembly**
**Roller**

121 RB2-0717-000CN Smaller pick-up roller for tray 1 - Snaps onto shaft

122 RB2-0744-000CN Larger pick-up roller for tray 1 - Snaps onto shaft

**Optional Interfaces**
**Interface (Product)**

J3110A Ethernet 10Base-T (RJ-45) EIO network internal print server PC board

J3111A Ethernet 10Base-T/10Base2 and LocalTalk (RJ-45, BNC, LocalTalk) EIO network PCA

J3112A JetDirect 600N token ring LAN interface board - DB-9 and RJ-45 connectors  
NO LONGER SUPPLIED

J3113A JetDirect 600N internal print server (10Base-T and 100Base-TX) LAN interface board - Plugs into peripheral EIO slot

J4135A JetDirect connectivity card - Has one USB port, one serial (DB9) port and one LocalTalk port - Plugs in the EIO slot on selected DesignJet and LaserJet printers

J4167A JetDirect 610N token ring LAN interface board - DB-9 and RJ-45 connectors

J4169A JetDirect 610N internal print server (10Base-T and 100Base-TX) LAN interface board - Plugs into peripheral EIO slot - Has a RJ-45 connector - Comes with software on CD-ROM and manual

**PC Board (Interface)**

J3110-69001 JetDirect 600N EIO internal print server 10Base-T LAN interface board - Has one RJ-45 connector - (J3110A) - NOTE: EIO Interface Boards are NOT Interchangeable with MIO Boards

*J6057-69001 New Part for J3110-69001*

J3111-69001 JetDirect 600N EIO internal print server 10Base-T, 10BASE-2, and LocalTalk LAN interface board - Has one RJ-45, BNC, and 8-pin DIN connector - (J3111A) - NOTE: EIO interface boards are NOT interchangeable with MIO boards REQUIRES RETURN OF DEFECTIVE PART

*J3111-61001 New Part for J3111-69001*

J3112-69001 JetDirect 600N EIO internal print server token ring LAN interface board - Has one RJ-45 and DB-9 connector

*J4167-69001 New Part for J3112-69001*

J3113-69001 JetDirect 600N EIO internal print server 10Base-T and 100Base-T LAN interface board - Has one RJ-45 connector

J4135-61001 JetDirect connectivity card - Has one USB port, one serial (DB9) port and one LocalTalk port

J4169-69001 JetDirect 610N internal print server 10Base-T and 100Base-T LAN interface board - Has one RJ-45 connector

*J6057-69001 New Part for J4169-69001*

**Optional Paper Trays**
**Tray**

C4082-69001 Optional 500 sheet paper tray (Tray 3) - Includes main body assembly and 500 sheet paper cassette - Standard on 45XXDN  
REQUIRES RETURN OF DEFECTIVE PART

*C4082-67901 New Part for C4082-69001*

C4082A HP LaserJet 4500/N/DN 500 Sheet Paper tray (Tray 3) - Holds up to 500 sheets of letter, legal, Executive, A4, JIS B5, or ISO B5 paper sizes

**Other Accessories**
**CD-ROM (Support)**

C7085-60123 Color LaserJet 4500 service manual on CD-ROM format

**Cabinet**

C4235A Custom cabinet for color LJ4500 - Provides stand on wheels with extra storage space

**Cartridge**

C4191A Black toner cartridge - Contains toner and developer

C4192A Cyan toner cartridge - Contains toner and developer

C4193A Magenta toner cartridge - Contains toner and developer

C4194A Yellow toner cartridge - Contains toner and developer

**Other Accessories****Cartridge**

R94-4002-410CN	Yellow toner cartridge
R94-4002-510CN	Yellow toner cartridge - For sale in europe ONLY
R94-4003-410CN	Magenta toner cartridge
R94-4003-510CN	Magenta toner cartridge - For sale in Europe ONLY
R94-4004-410CN	Cyan toner cartridge
R94-4004-510CN	Cyan toner cartridge - For sale in Europe ONLY
R94-4005-410CN	Black toner cartridge
R94-4005-510CN	Black toner cartridge - For sale in Europe ONLY

**Cleaning Supplies**

5090-3379	Toner cleaning cloth - Specially treated cloth for absorbing toner (1 per package) - Ideal for clening up toner spills
-----------	--

**Drum**

C4195A	Photoconductive drum cartridge kit - Photosensitive drum and waste toner collection reservoir assembly - Transfers image colors to itermediate transfer belt
R94-4001-410CN	Photoconductive drum cartridge kit - Photosensitive drum and waste toner collection reservoir assembly - Transfers image colors to itermediate transfer belt

**Duplexer**

C4083-69001	Duplexer assembly - For 2 sided printing capability
C4083A	Duplexer assembly - For 2 sided printing capability

**Film (Transparency)**

C2936A	Color LaserJet transparency film - A4 size (21.0cm x 29.7cm) - 50 sheets per box
C2934A	Color LaserJet transparency film - A size (8.5 x 11-inches) - 50 sheets per box

**Flap**

C4084-67909	Toner carousel kit - Includes toner flap and four labels
-------------	--

**Kit**

C4084-67911	Fuser deflector kit - Includes black paper deflector, gray tab, and spring on left end
C4084-69004	Fuser kit - Contains fuser assembly, 2 separation/2 pickup rollers, both air filters, and cleaning cloth - 110/120 volt REQUIRES RETURN OF DEFECTIVE PART
R96-5007-000CN	<i>New Part for C4084-69004</i>
C4084-69005	Fuser kit - Contains fuser assembly, 2 separation/2 pickup rollers, both air filters, and cleaning cloth - 220/240 volt REQUIRES RETURN OF DEFECTIVE PART
R96-5008-000CN	<i>New Part for C4084-69005</i>
C4196A	Transfer kit - Contains itermediate transfer belt, secondary transfer roller, both air filters and toner cloth
C4197A	Fuser kit - Contains fuser assembly, one separation roller, three pickup rollers, both air filters, and a cleaning cloth - 110/120 volt
C4198A	Fuser kit - Contains fuser assembly, 2 separation/2 pickup rollers, both air filters, and cleaning cloth - 220/240 volt
C7085-69007	Transfer kit - Contains Itermediate Transfer Belt, secondary transfer roller, both air filters and toner cloth REQUIRES RETURN OF DEFECTIVE PART
R96-5009-000CN	<i>New Part for C7085-69007</i>
R96-5009-000CN	Transfer kit - Contains Itermediate Transfer Belt, secondary transfer roller, both air filters and toner cloth

**Manual**

5851-1468	LaserJet printer family paper specification guide
5851-1893	Color LaserJet 4500/4550 quick reference service guide - Troubleshooting technical guide
C7085-90921	Color LaserJet 4500 service manual (English)

**Paper (Glossy)**

C4179B	Soft gloss color LaserJet paper - A4 size (21.0cm x 29.7cm) - 200 sheets per package
C4179A	Soft gloss color LaserJet paper - A size (8.5 x 11-inches) - 200 sheets per package

**Other Accessories**

**Software**

- C6072-60301 HP-GL/2 driver software for AutoCAD - For DOS and Windows 3.1/95/NT 4.0 - On 3.5-inch 1.44MB floppy disks (English)
- C6072-60304 HP-GL/2 driver software for AutoCAD - For DOS and Windows 3.1/95/NT 4.0 - On 3.5-inch 1.44MB floppy disks (German)
- C6072-60305 HP-GL/2 driver software for AutoCAD - For DOS and Windows 3.1/95/NT 4.0 - On 3.5-inch 1.44MB floppy disks (French)
- C6072-60306 HP-GL/2 driver software for AutoCAD - For DOS and Windows 3.1/95/NT 4.0 - On 3.5-inch 1.44MB floppy disks (Spanish)
- C6072-60307 HP-GL/2 driver software for AutoCAD - For DOS and Windows 3.1/95/NT 4.0 - On 3.5-inch 1.44MB floppy disks (Italian)

**Tray**

- RG5-4055-050CN Duplexer assembly pull-out tray

**Paper Path Parts**

**Bushing**

- RB2-0831-000CN Plate holder bushing - White round plastic bushing with slot cut on one side
- 180 RB2-1158-000CN Bushing - Supports left side of cartridge drum
- 181 RB2-5185-000CN Bushing - Supports left side of cartridge drum

**Drive Assembly**

- 182 RG5-5502-100CN Toner cartridge carousel drive assembly

**Feed Assembly**

- 183 RG5-5117-000CN Feeder assembly - Moves media from transfer area to user

**Fusing Assembly**

- 184 C7085-69004 Fusing assembly (120V, 60Hz operation) - Bonds toner to paper by heat - (C4197A)  
REQUIRES RETURN OF DEFECTIVE PART
- RG5-5154-120CN *New Part for C7085-69004*
- C7085-69005 Fusing assembly (240v,50Hz) - Bonds toner to paper by heat  
REQUIRES RETURN OF DEFECTIVE PART
- RG5-5155-120CN *New Part for C7085-69005*

**Roller**

- RB2-0502-020CN Pressure roller - Pressure roller inside fusing assembly - Hollow aluminum tube with soft brown covering - Does not come with heating element
- 187 RF5-2112-000CN Transfer roller assembly

**Paper Pick-up Assembly**

**Arm**

- 188 RG5-4696-050CN Rowel swing assembly - Aids in printing of envelopes and small media

**Bushing**

- 189 RS5-1293-000CN Bushing

**Cable**

- 190 RG5-3785-000CN Paper feed cable
- 191 RG5-3787-000CN Dual cable assembly - One cable is a large 12 pin (F) connector to a grounding wire with a ring terminal and a 5 pin (F) connector - Other cable has four connectors: a 14 pin (F), two 8 pin (F), and a 7 pin (F) - Overall length is 39.4cm (15.5 inches)

**Cam**

- 192 RG5-3241-000CN ITB cam assembly - Raises and lowers ITB assembly
- 193 RG5-3242-000CN ICL cam assembly - Roller that cleans excess toner from ITB
- 194 RG5-5118-000CN Transfer cam assembly - Lifts transfer assembly

**Clutch**

- 195 RB2-0561-000CN One-way clutch
- 196 RB2-0572-000CN One-way clutch
- 197 RH7-5176-060CN Electromagnetic clutch

**Paper Pick-up Assembly****Clutch**

198	RH7-5178-000CN	Electromagnetic clutch
199	RH7-5180-000CN	Electromagnetic clutch

**Gear**

200	RF5-2161-000CN	Cluster gear - 18 tooth/52 tooth
201	RS6-0132-000CN	Gear - 35 tooth
202	RS6-0133-000CN	Cluster gear - 37/14 tooth
203	RS6-0134-000CN	Cluster gear - 30/16 tooth
204	RS6-0135-000CN	Gear - 27 tooth
205	RS6-0136-000CN	Gear - 31 tooth
206	RS6-0137-000CN	Cluster gear - 26/18 tooth
207	RS6-0138-000CN	Gear - 20 tooth
208	RS6-0139-000CN	Gear - 18 tooth
209	RS6-0140-000CN	Gear - 18 tooth - Has 1-3/16 inch long attached sleeve
210	RS6-0141-000CN	Gear - 19 tooth
211	RS6-0143-000CN	Gear - 37 tooth
212	RS6-0144-000CN	Cluster gear - 34/15 tooth
213	RS6-0145-000CN	Cluster gear - 29/17 tooth
214	RS6-0146-000CN	Gear - 52 tooth
215	RS6-0147-000CN	Gear - 47 tooth
216	RS6-0149-020CN	Gear - 26 tooth - Has four square slots cut in long end of sleeve
217	RS6-0150-000CN	Gear - 29 tooth
218	RS6-0151-000CN	Gear - 16 tooth
219	RS6-0152-000CN	Gear - 29 tooth
220	RS6-0153-000CN	Gear - 49 tooth
221	RS6-0154-000CN	Cluster gear - 39/31 tooth
222	RS6-0155-000CN	Gear - 53 tooth
223	RS6-0156-000CN	Cluster gear - 53/46 tooth
224	RS6-0157-000CN	Cluster gear - 18/14 tooth
225	RS6-0158-000CN	Gear - 17 tooth
226	RS6-0159-000CN	Gear - 26 tooth
227	RS6-0163-000CN	Cluster gear - 24/37 tooth

**Gear/Arm**

228	RG5-3228-000CN	Coupler assembly - Top gear and mount - Not cluster gear
-----	----------------	--

**Kit**

C4084-67910	Paper pick-up plate kit - Kit includes left and right metal paper guide plates, both white plastic bushings for each side and both black plastic covers for plate ends
-------------	--

**Lever**

230	RB2-0576-000CN	Sensor lever - Tray 2 paper sensor lever
-----	----------------	--

**Link**

231	RB2-0614-000CN	Rowel link - Small white plastic arm with pin at one end elongated hole at other end
-----	----------------	--

**Motor**

232	RG5-3227-000CN	Fusing assembly motor
233	RH7-1343-000CN	Stepper motor

**Plate**

234	RF5-2138-000CN	Support plate - Supports secondary transfer assembly NO LONGER SUPPLIED
	RY7-5091-000CN	New Part for RF5-2138-000CN



**Paper Pick-up Assembly****Roller**

- 235 RB1-8865-000CN Paper pick-up roller - 'D' roller (Sold individually)  
236 RF5-2092-000CN Roller - Feed roller for tray 2

**Sensor**

- 237 RG5-3234-000CN Paper size sensor

**Shaft**

- 238 RB2-0545-000CN Paper pickup shaft - Shaft that pick-up rollers attach to

**Solenoid**

- 239 RG5-3245-000CN Solenoid assembly - SL2 - Controls paper pickup roller for tray 2 - Where serial number prefix = JPGxxx and below  
240 RG5-5119-000CN Solenoid assembly - SL2 - Controls paper pickup roller for tray 2 - Where serial number prefix = JPHx through JPZx

**Spring**

- RS5-2733-000CN Plate lift spring - Tension springs used with metal paper guide plates - Two used  
242 RS5-2800-000CN Rowel link spring

**Transfer Assembly**

- 243 RY7-5091-000CN Transfer assembly kit - Secondary transfer assembly

**Power Supplies and Parts****Power Supply**

- 244 C4084-69011 Power supply assembly - 100-120VAC  
REQUIRES RETURN OF DEFECTIVE PART  
*RH3-2219-000CN New Part for C4084-69011*  
245 C7085-69003 High voltage power supply assembly  
REQUIRES RETURN OF DEFECTIVE PART  
*RG5-5165-060CN New Part for C7085-69003*  
246 RH3-2220-000CN Power supply assembly - 220-240VAC

**Upper Drawer Assembly****Cover**

- 247 RB2-0916-000CN Density sensor connector cover

**Drawer**

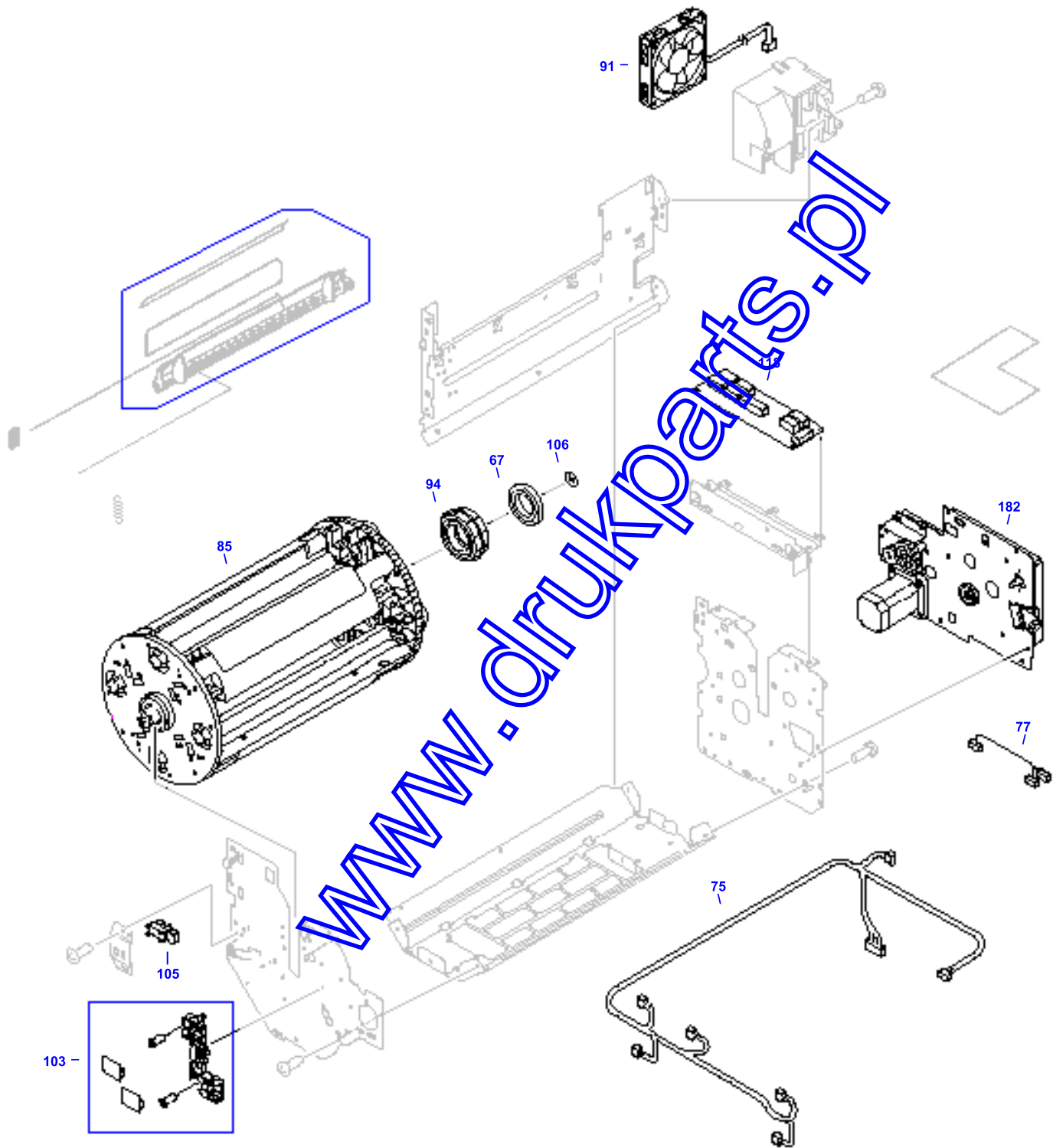
- 248 RG5-5142-000CN Developing drum drawer assembly

**Sensor**

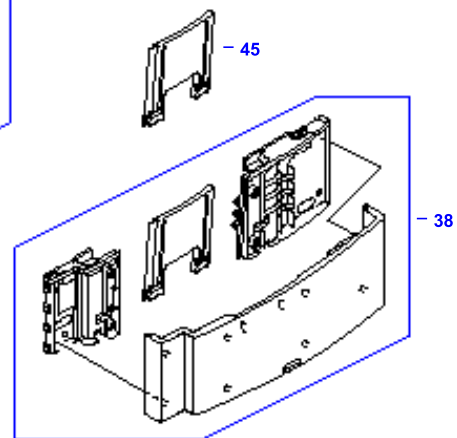
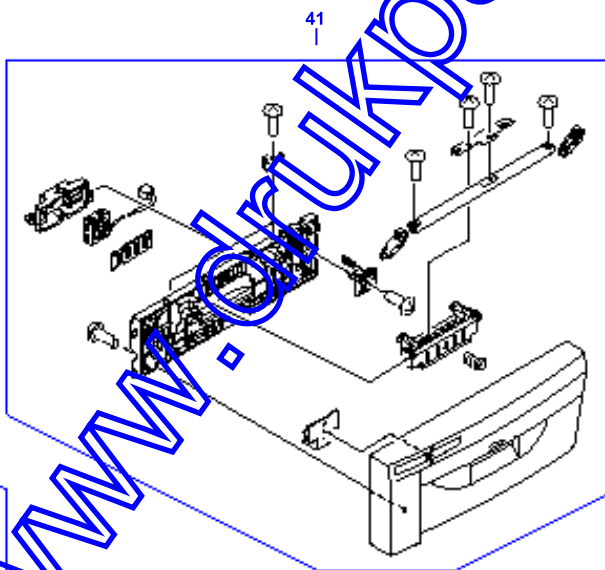
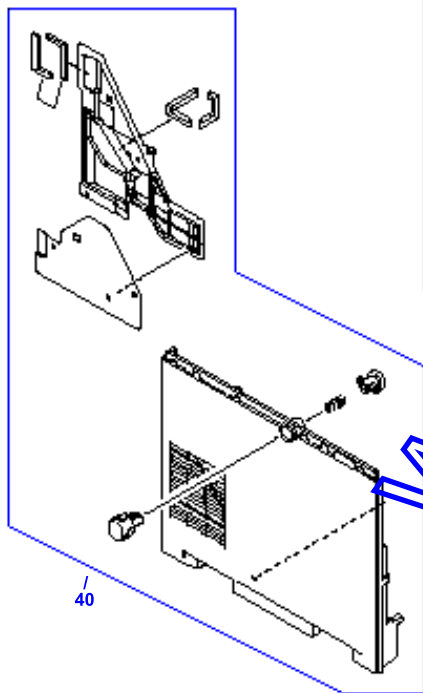
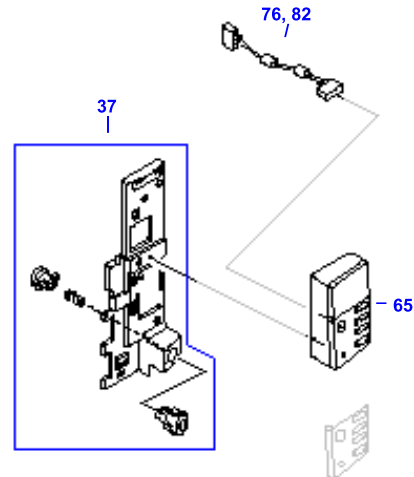
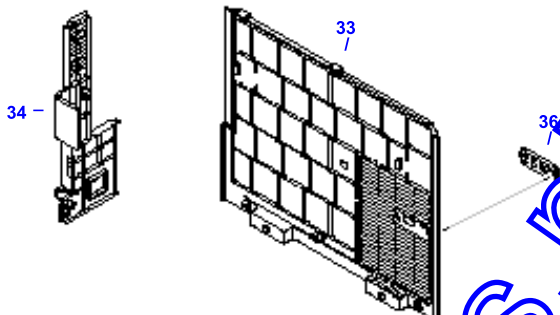
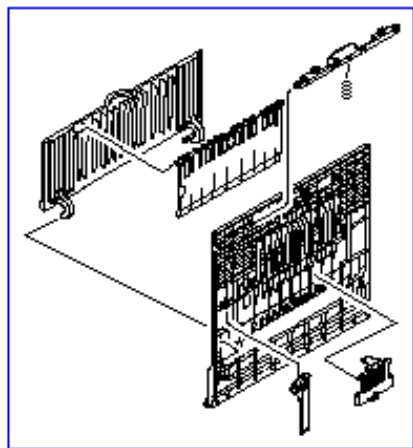
- 249 RG5-3281-000CN Density sensor assembly - Senses density of toner on drum during calibration routine  
250 RG5-5149-000CN Density sensor assembly - Senses density of toner on drum

www.druckparts.pl

Developing Assembly

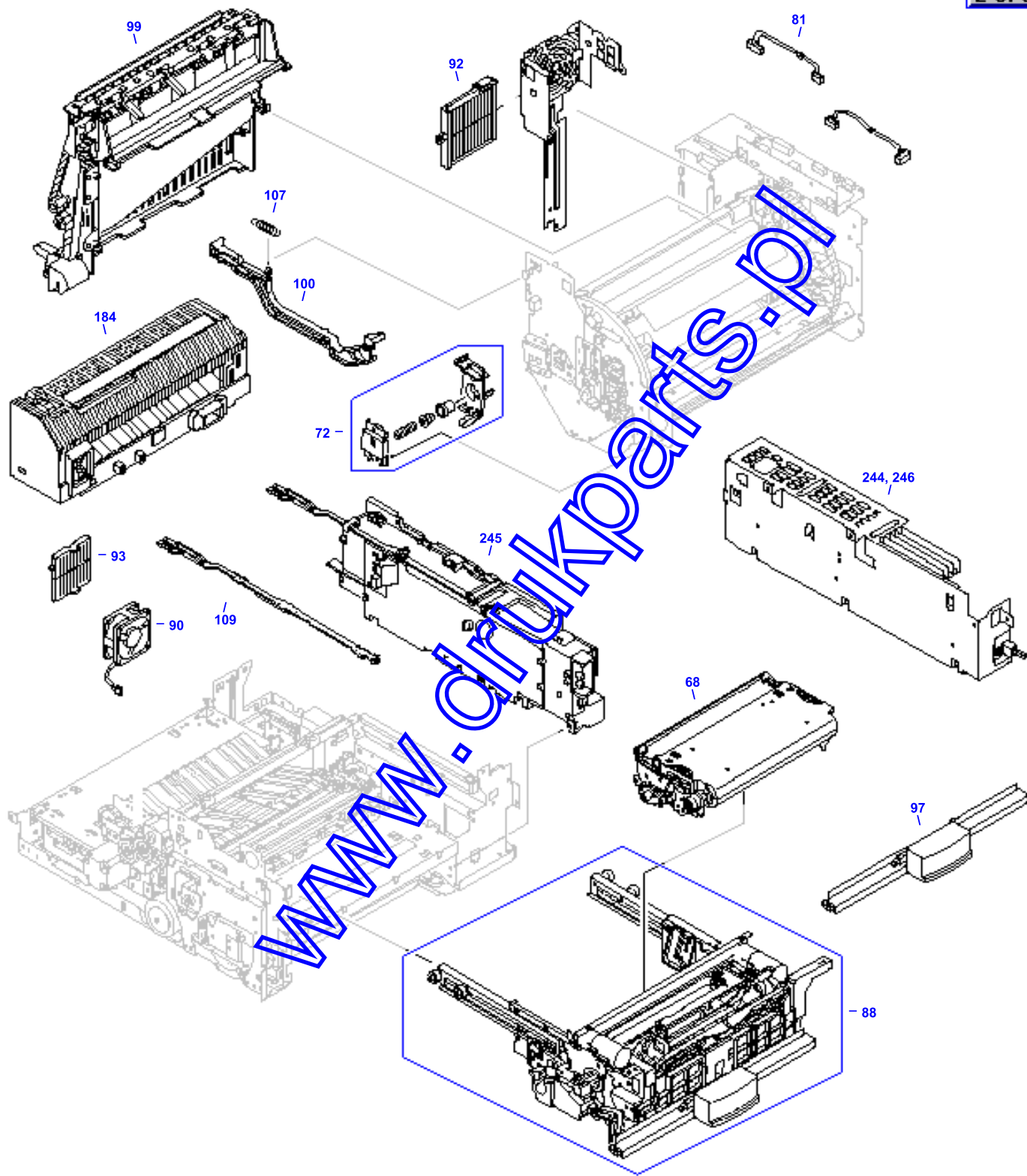


External Covers and Panels



Internal Components (1 of 3)

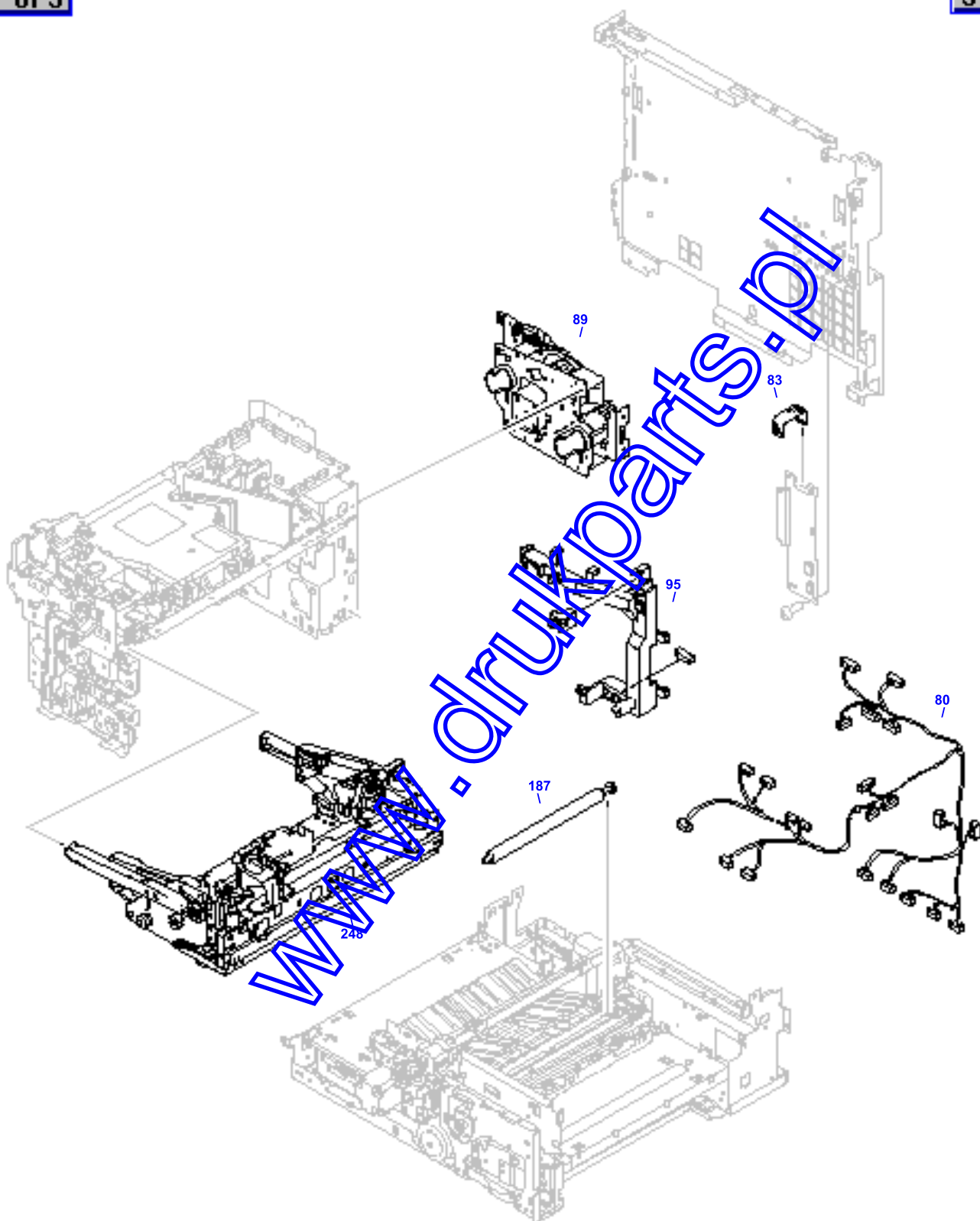
2 of 3 →



Internal Components (2 of 3)

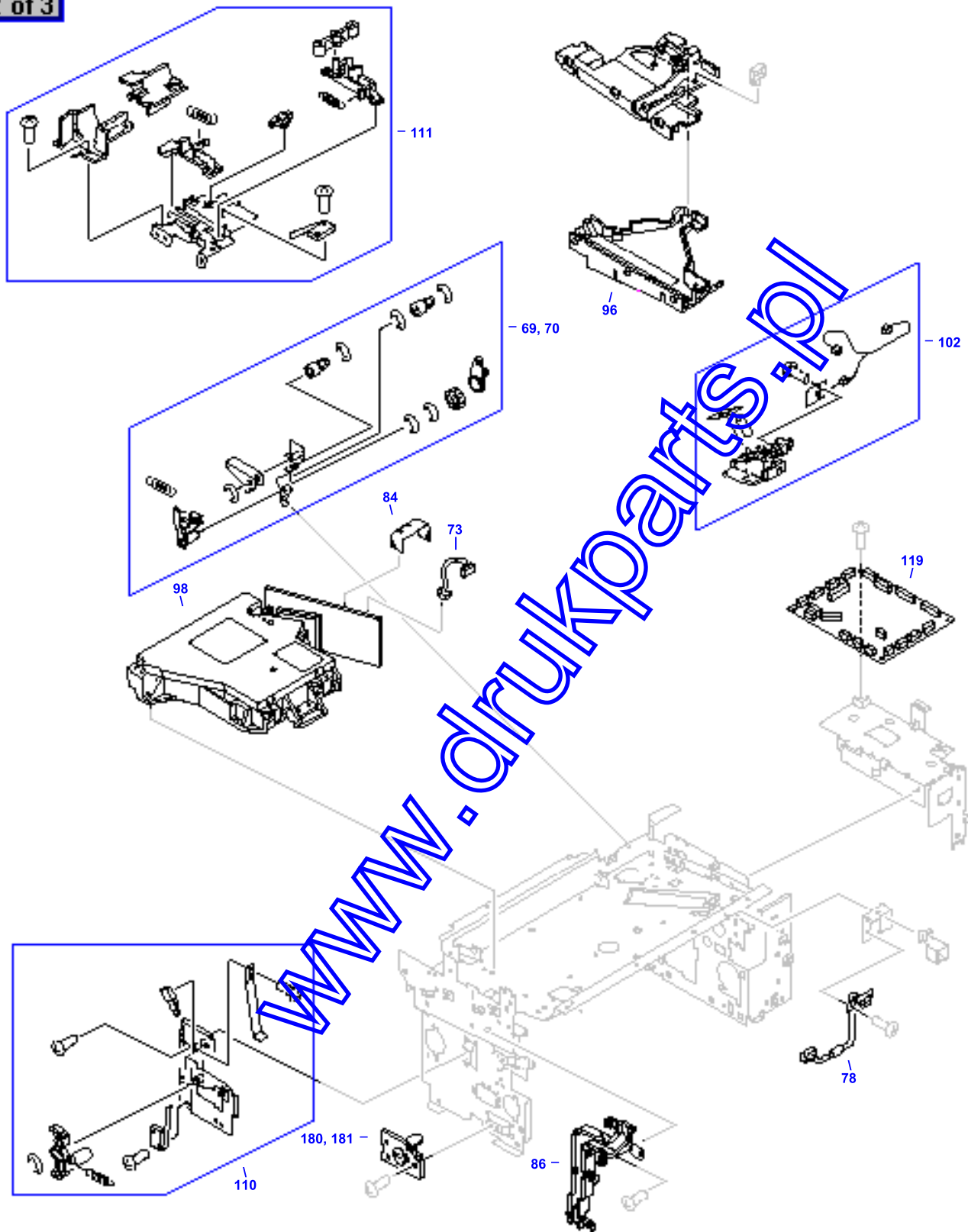
← 1 of 3

3 of 3 →

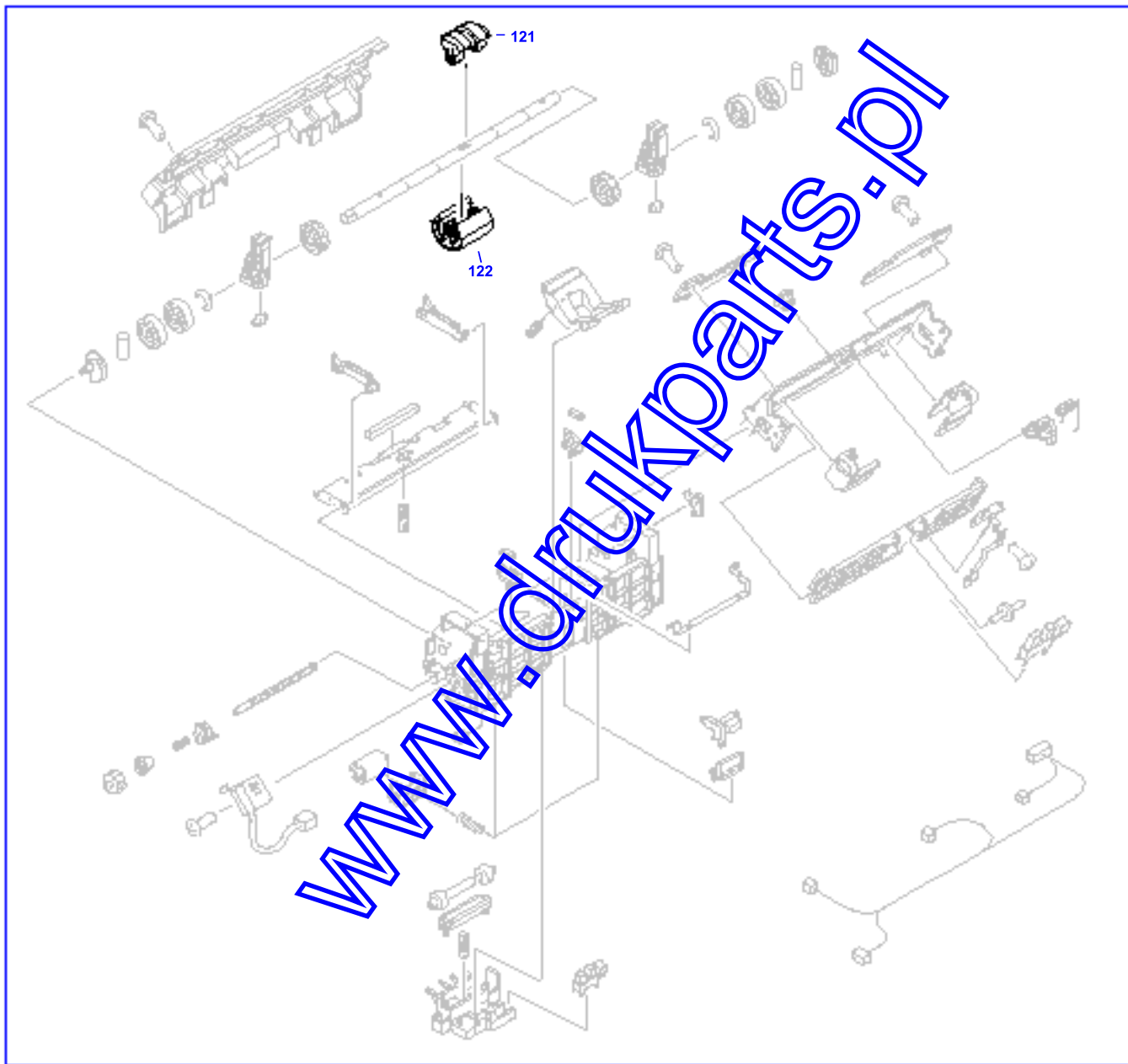


Internal Components (3 of 3)

← 2 of 3



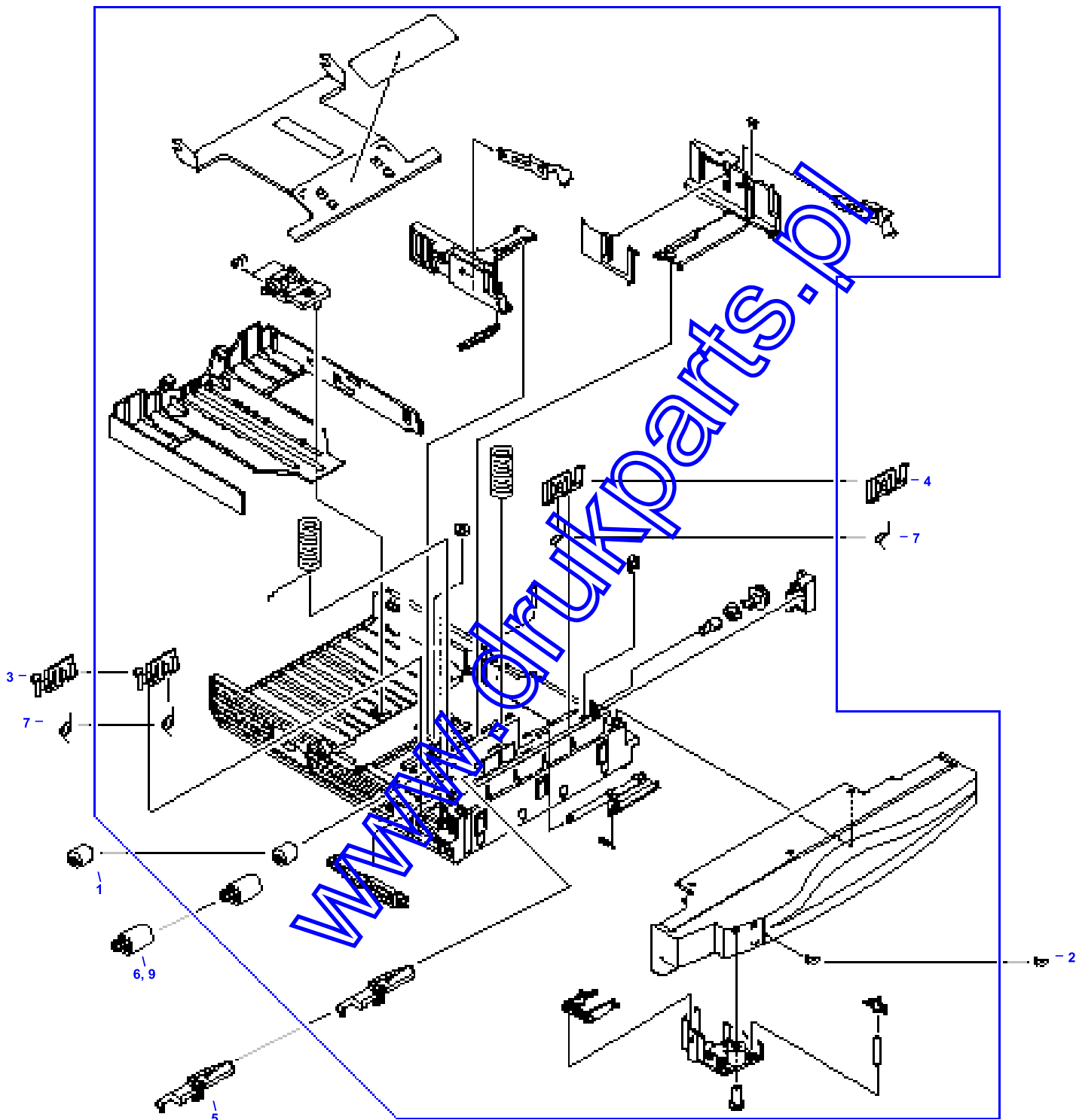
MP Tray Paper Pick-up Assembly



MP Tray Paper Pick-up Assembly

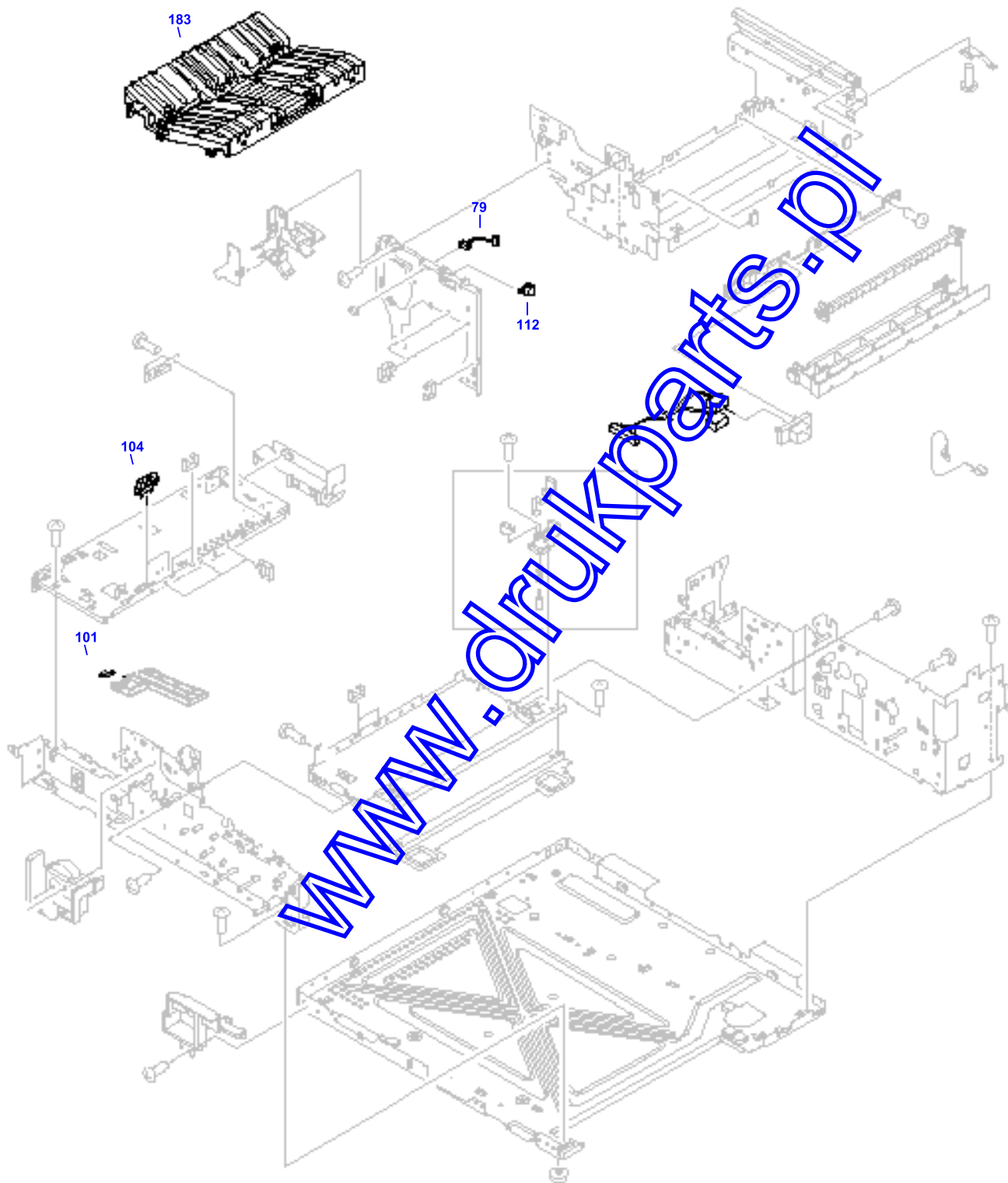
Paper Cassette

Paper Cassette

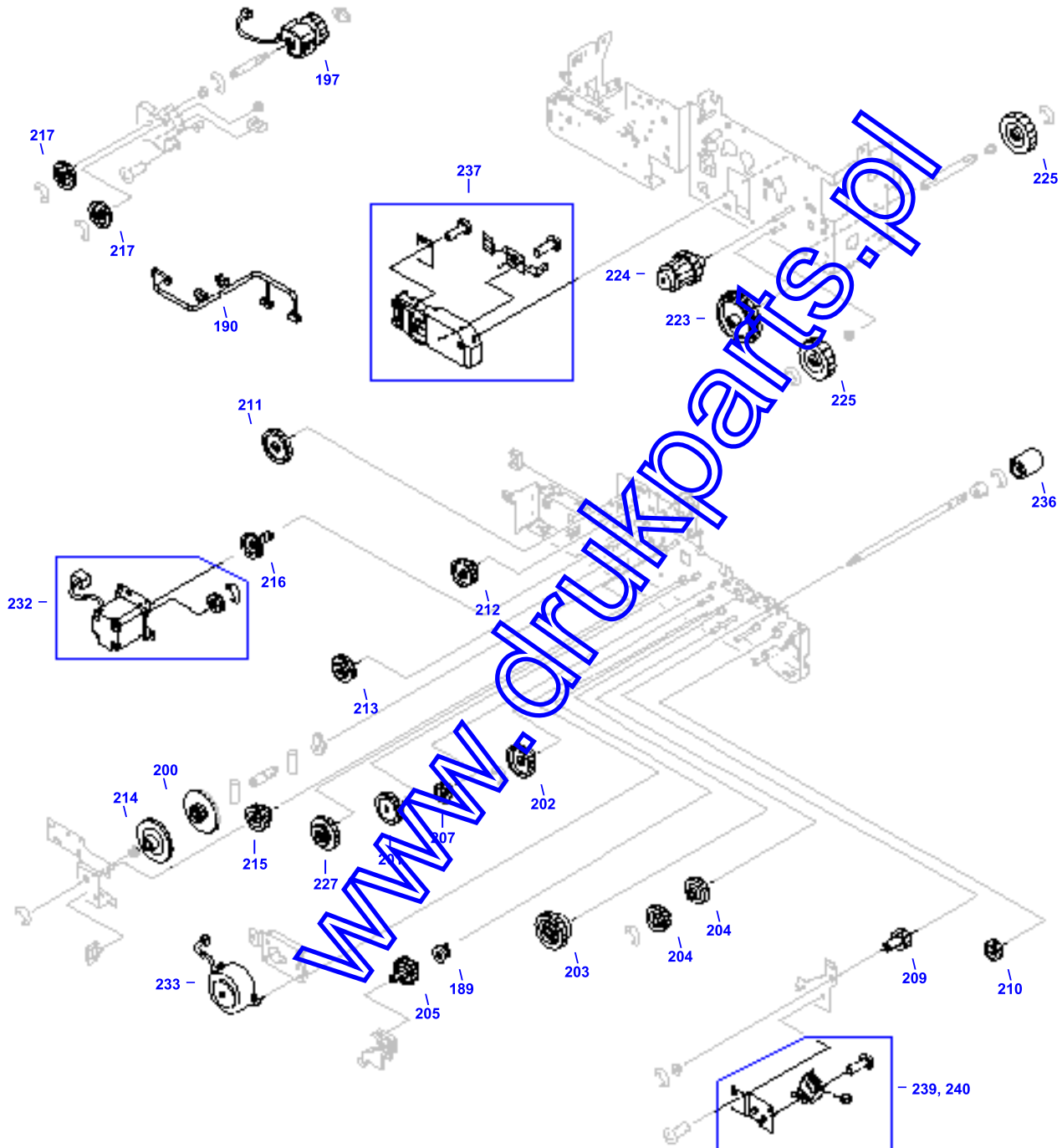




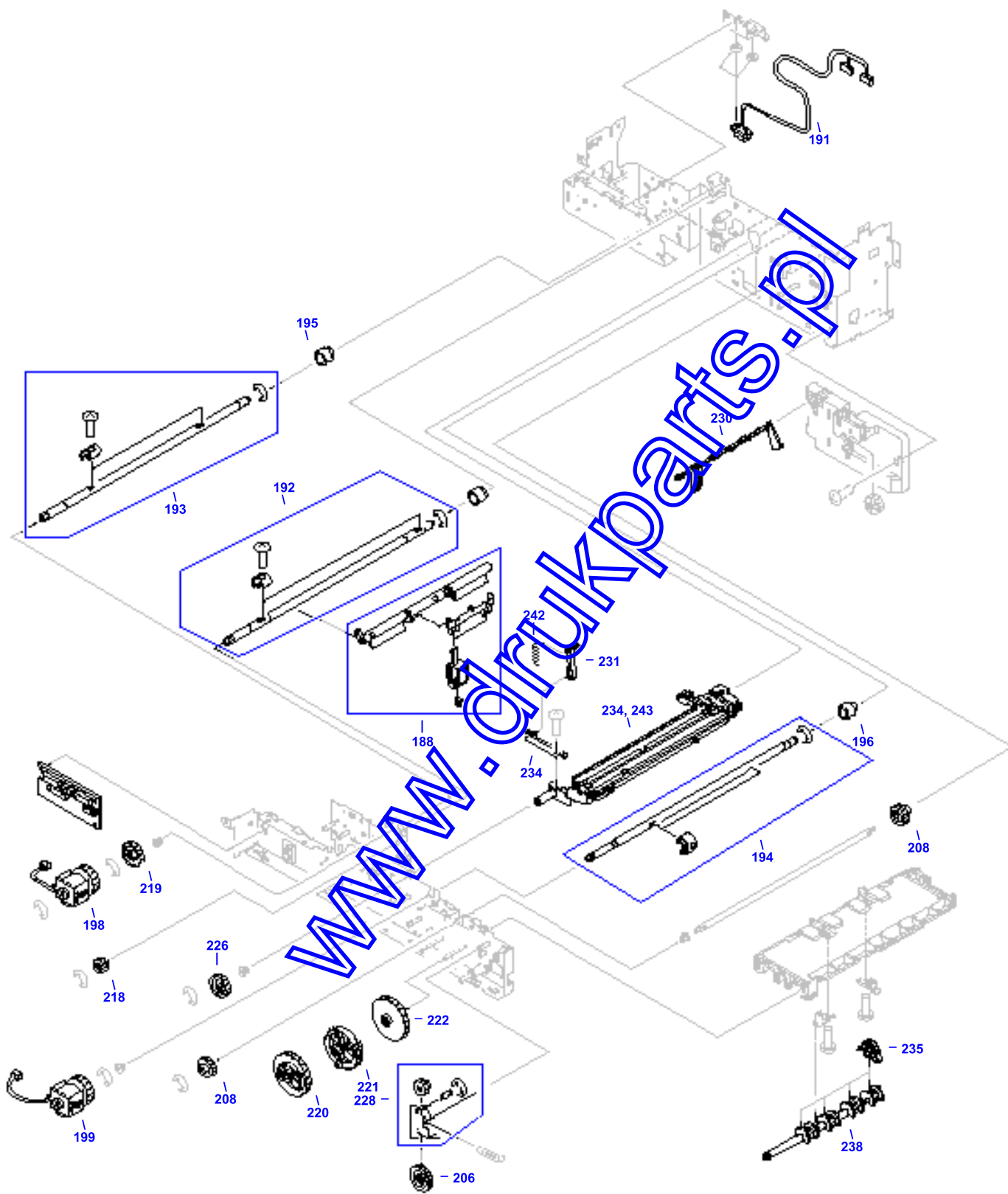
Paper Pick-up Assembly (1 of 3)



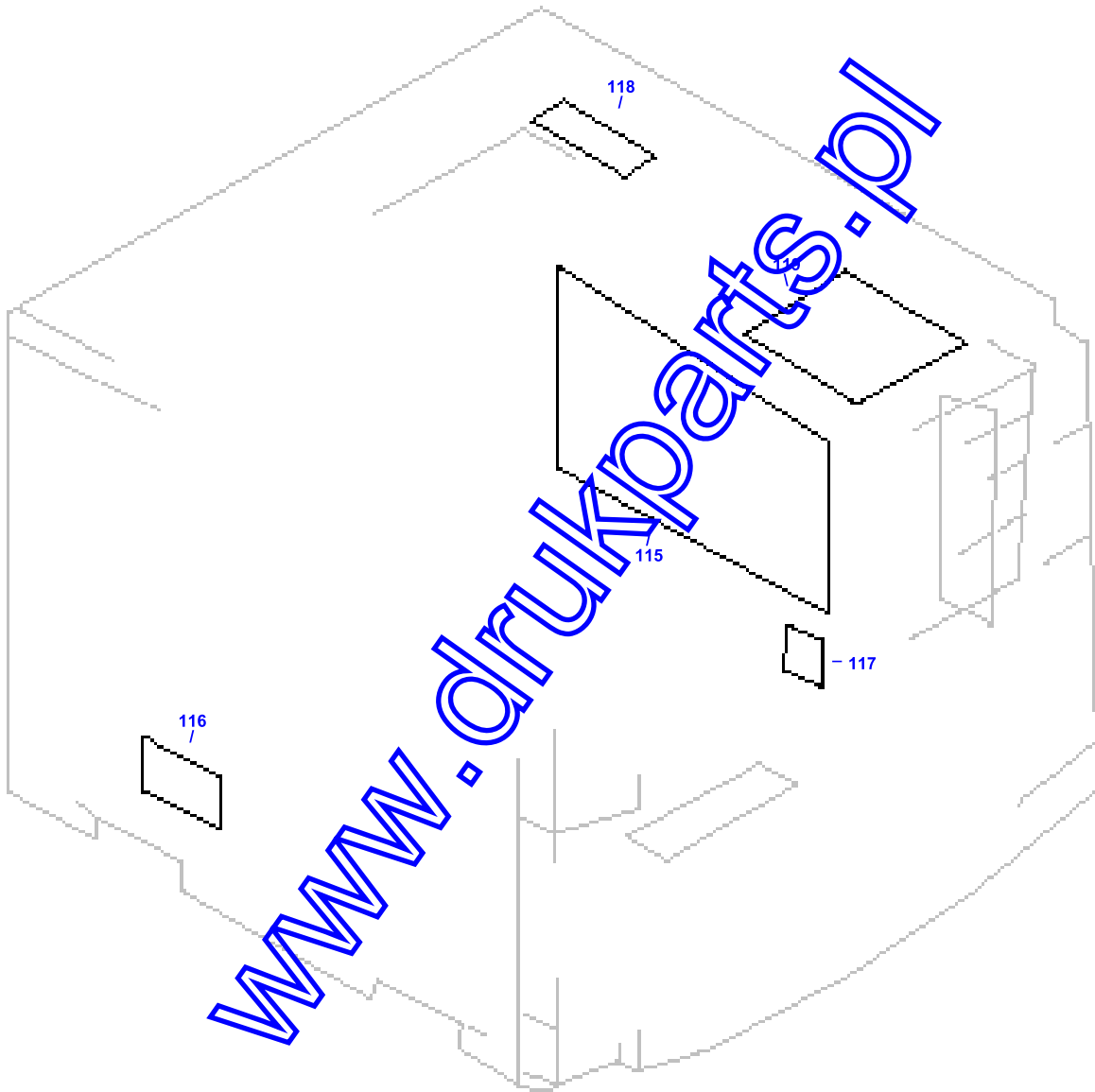
## Paper Pick-up Assembly (2 of 3)



Paper Pick-up Assembly (3 of 3)

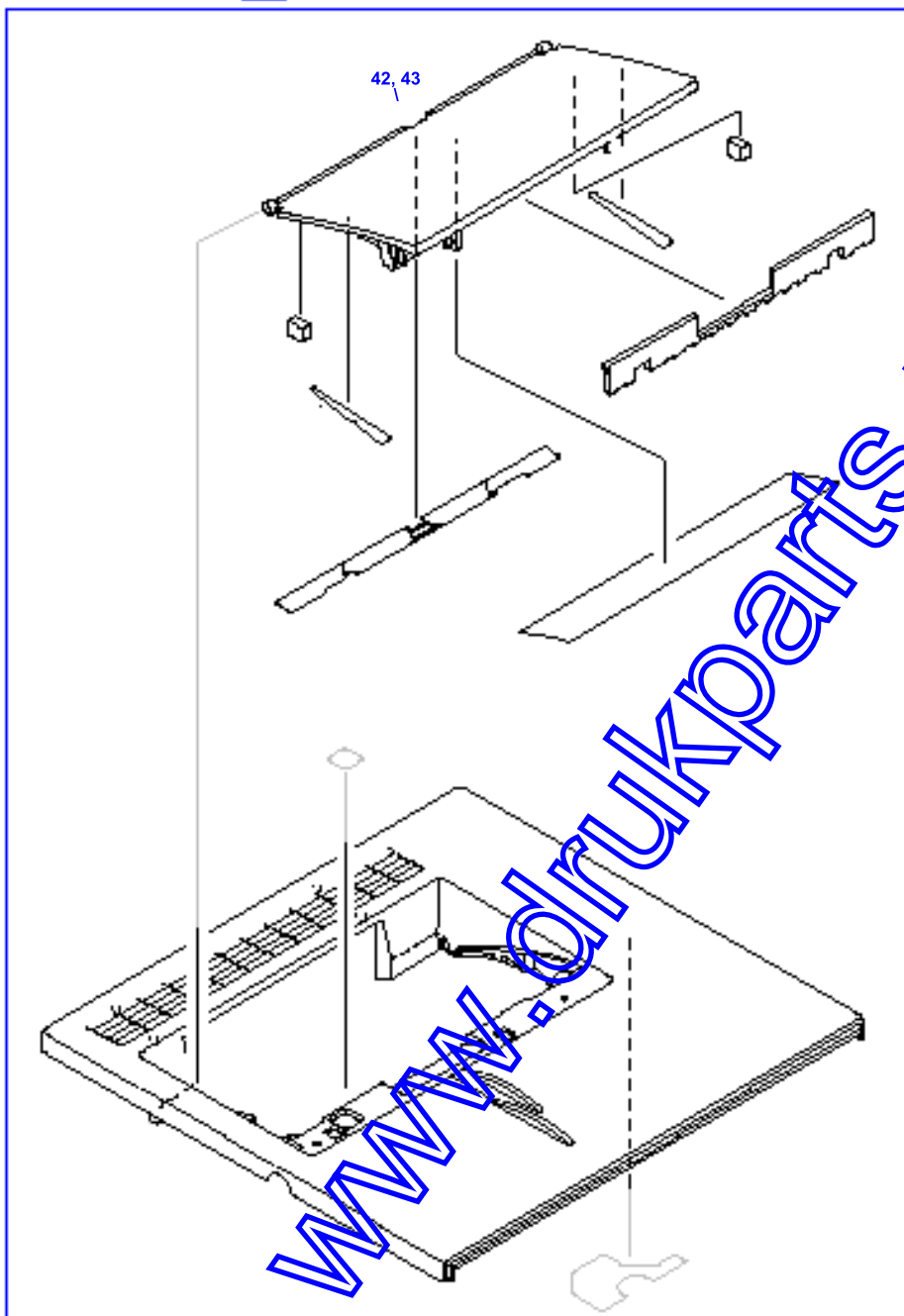


PCB Locations



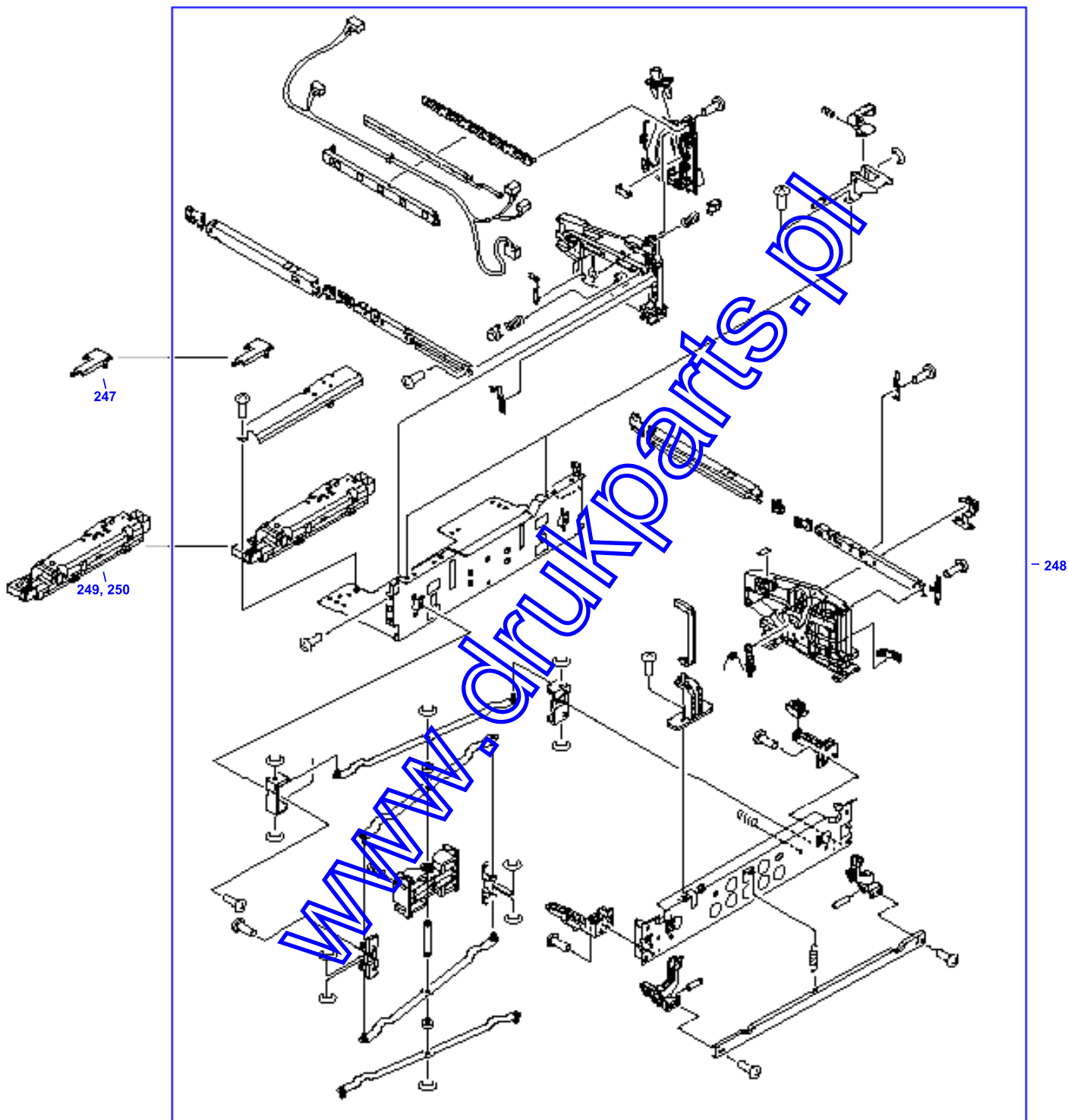
Top Cover Assembly

39 -  Top Cover Assembly



Upper Drawer Assembly

Upper Drawer Assembly



**HP Parts Reference Guide**<http://www.hp.com/go/parts>**HP PartSurfer**<http://partsurfer.hp.com>**HP Parts Ordering Information**<http://www.hp.com/go/hpparts>**HP Parts Questions/Comments**<http://partsurfer.hp.com/contactus.htm>

[www.drukparts.pl](http://www.drukparts.pl)