

**250 Sheet Cassette****Clutch**

1 RB1-8974-000CN Separation roller clutch - Torque limiter

**Indicator**

2 RB1-9009-000CN Level indicator - Small oval button on front left side of tray - Moves vertically to show amount of paper in tray

**Lifter**

3 RB1-9012-000CN Lifter arm - White plastic arm that holds top left side metal corner piece up when loading paper in tray

4 RB1-9013-000CN Lifter arm - White plastic arm that holds top right side metal corner piece up when loading paper in tray

**Panel**

5 RB1-9001-000CN Separation roller access panel

**Roller**

6 RF5-1885-000CN Feed/separation roller - Roller is gray with blue tab protruding out one side

**Spring**

7 RB1-9016-000CN Torsion spring - Provides tension for right and left tray lifter arms

**Tray**

RG5-3400-210CN 250 sheet paper cassette (Tray 2) - Holds media for main paper tray

**500 Sheet Paper Feeder****Roller**

9 RF5-1885-000CN Feed/separation roller - Roller is gray with blue tab protruding out one side

**Tray**

RG5-3900-000CN 500 sheet paper cassette (Tray 3) - Holds media for 500 sheet paper tray

**Electronic Accessories****Cable (Interface)**

5063-1254 IEEE-1284 Bi-Tronics parallel cable - DB-25 (M) connector (type A) to 36 pin high density IEEE-1284C (M) connector (type C) - 3.0m (9.8ft) long

5063-1255 IEEE-1284 Bi-Tronics parallel cable - DB-25 (M) connector (type A) to 36 pin high density IEEE-1284C (M) connector (type C) - 10m (33ft) long

92215S RS-422 serial cable - 8 pin (M) to 8 pin (M) - 2.0m (6.6ft) long - For connecting Apple Macintosh with LocalTalk/serial connector

C2946A IEEE-1284 Bi-Tronics parallel cable - DB-25 (M) connector (type A) to 36 pin high density IEEE-1284C (M) connector (type C) - 3.0m (9.8ft) long

C2947A IEEE-1284 Bi-Tronics parallel cable - DB-25 (M) connector (type A) to 36 pin high density IEEE-1284C (M) connector (type C) - 10m (33ft) long

**Interface (Product)**

J6057A JetDirect 615N internal print server (10Base-T and 100Base-TX) LAN interface board - Plugs into peripheral EIO slot - Has a RJ-45 connector - Comes with software on CD-ROM and manual

J6057AR JetDirect 615N internal print server (10Base-T and 100Base-TX) LAN interface board - Plugs into peripheral EIO slot - Has a RJ-45 connector - Comes with software on CD-ROM and manual

**Memory (DIMM)**

C4140-67901 4MB, 100-pin SDRAM DIMM memory module

C7842-67901 *New Part for C4140-67901*

C7842-67901 8MB, 100-pin SDRAM DIMM memory module

C7843-67901 16MB, 100-pin SDRAM DIMM memory module

C7845-67901 32MB, 100-pin SDRAM DIMM memory module

C7846-67901 64MB SDRAM - 100MHz synchronous DRAM - DIMM package

Q1887-67901 *New Part for C7846-67901*

**Memory (Product)**

C4140A 4MB, 100-pin SDRAM DIMM memory module  
NO LONGER SUPPLIED

C7842A *New Part for C4140A*

C4292A 8MB Traditional Chinese MROM DIMM - For LaserJet 4000 and 5100 series printers

**Electronic Accessories****Memory (Product)**

C4293A	8MB Simplified Chinese MROM DIMM - For LaserJet 4000 and 5100 series printers
C7842A	8MB, 100-pin SDRAM DIMM memory module
C7843A	16MB, 100-pin SDRAM DIMM memory module
C7845A	32MB, 100-pin SDRAM DIMM memory module
Q1887A	64MB, 100-pin synchronous SDRAM DIMM memory module
YS-90210	8MB Japanese font DIMM - For HP LaserJet NO LONGER SUPPLIED

**External Case Parts****Cover**

31	RB2-1203-000CN	Right side cover
32	RB2-1205-000CN	Right rear corner cover - A/C input connector cover
	RB2-1206-000CN	Lower rear cover
34	RB2-1224-000CN	Connector cover
35	RG5-3300-000CN	Top cover assembly
36	RG5-3310-000CN	Right front cover
37	RG5-3313-000CN	Left side cover assembly
38	RG5-3320-000CN	Intermediate transfer belt drawer cover
39	RG5-5150-000CN	Top cover assembly
40	RG5-5151-000CN	Left side cover assembly
41	RG5-5152-000CN	Drum drawer cover
42	RG5-5232-000CN	Drum drawer cover

**Door**

43	RF5-2076-000CN	Toner access door - Paper output bin
44	RF5-3132-000CN	Cover T TAB - 'T' shaped plastic piece at each end of the toner carousel cover flap
45	RF5-3137-000CN	Toner access door - Paper output bin
46	RG5-3325-080CN	Rear access door assembly

**Extension**

47	RB2-1215-000CN	Tray extension - Attaches to ITB drawer - Supports media in tray 1
----	----------------	--

**Foot**

XH9-0103-000CN	Plastic foot - Black plastic with push-pin mount
----------------	--

**Overlay**

C4084-40001	Color LaserJet 4500 control panel overlay (English)
C4084-40003	Color LaserJet 4500 control panel overlay (French)
C4084-40004	Color LaserJet 4500 control panel overlay (Italian)
C4084-40005	Color LaserJet 4500 control panel overlay (German)
C4084-40006	Color LaserJet 4500 control panel overlay (Spanish)
C4084-40007	Color LaserJet 4500 control panel overlay (Dutch)
C4084-40008	Color LaserJet 4500 control panel overlay (Danish)
C4084-40009	Color LaserJet 4500 control panel overlay (Finnish)
C4084-40010	Color LaserJet 4500 control panel overlay (Norwegian)
C4084-40011	Color LaserJet 4500 control panel overlay (Swedish)
C4084-40012	Color LaserJet 4500 control panel overlay (Portuguese)
C4084-40013	Color LaserJet 4500 control panel overlay (Polish)
C4084-40014	Color LaserJet 4500 control panel overlay (Traditional Chinese)
C4084-40015	Color LaserJet 4500 control panel overlay (Korean)
C4084-40016	Color LaserJet 4500 control panel overlay (Russian)
C4084-40017	Color LaserJet 4500 control panel overlay (Czechoslovakian)

## External Case Parts

### Overlay

- C4084-40018 Color LaserJet 4500 control panel overlay (Simplified Chinese)
- C4084-40020 Color LaserJet 4500 control panel overlay (Japanese)

### Status Panel

- 67 RG5-5200-000CN Control panel assembly

## Internal Components

### Bearing

- 68 XG9-0361-000CN Ball bearing - Rotary assembly bearing

### Belt

- 69 C7085-69002 Intermediate Transfer Belt (ITB) assembly  
REQUIRES RETURN OF DEFECTIVE PART  
  
RG5-5173-130CN *New Part for C7085-69002*

### Brake

- 70 RG5-3309-000CN Brake assembly - Holds toner cartridge drum in place while toner cartridge access door is open
- 71 RG5-5163-000CN Brake assembly - Holds toner cartridge drum in place while toner cartridge access door is open

### Bushing

- 72 RG5-5169-000CN Drum bushing assembly - Supports left side of drum assembly

### Cable

- 73 RG5-3781-000CN Main cable assembly
- 74 RG5-3782-000CN Cable assembly - 3 pin (F) connectors on each end - 5.5cm (2.2 inches) long
- 75 RG5-3783-000CN Developer cable - From DC controller PCB to developing PCB PC board
- RG5-3786-000CN Cable assembly - A 14 pin (F) connector to both an 8 pin (F) connector and a 7 pin (F) connector - 16.3cm (6.4 inches) long
- 77 RG5-3795-000CN Rotary cable - From DC controller to carousel sensors
- 78 RG5-3802-000CN Control panel cable - Between control panel and interconnect PC board
- 79 RG5-3886-000CN Fuser sensor cable - From fuser sensors to DC controller
- 80 RG5-3887-000CN Right rear fan power cable
- 81 RG5-4650-000CN Cable assembly with ferrite - Large 4 pin (M) connector to small 4 pin (F) connector - 34.9cm (13.8 inches) long
- 82 RG5-4651-000CN ITB switch cable
- 83 RG5-5186-000CN Main cable assembly
- 84 RG5-5187-000CN Developer cable - From DC controller PC board to developing PC board
- 85 RG5-5195-000CN Cable assembly with ferrites - Has two 7 pin (F) connectors - 20.0cm (7.9 inches) long
- 86 RH2-5335-000CN Ribbon cable - Has two 32 pin (M) edge connectors - 3.7cm (1.5 inches) long
- 87 RH2-5400-000CN Laser cable - Flat ribbon cable

### Carousel

- 88 RG5-5249-090CN Rotary assembly - Toner cartridge carousel

### Cover

- 89 RB2-1180-000CN Cable cover

### Drawer

- RG5-3191-000CN Lower drawer assembly - Includes lower registration roller, sensors PS1, PS2, PS301, and clutch CL1
- 91 RG5-5120-140CN ITB drawer

### Drive Assembly

- 92 RG5-5206-000CN Drum drive assembly - Drives print drum and ITB assembly

### Fan

- 93 RH7-1346-000CN Fan (Large)
- 94 RH7-1407-000CN Fan (Small)
- 95 RH7-1435-000CN Fan (Large)

**Internal Components**

**Filter**

- 96 RB2-1282-000CN Air filter - Large filter
- 97 RB2-1283-000CN Air filter - For small fan

**Gear**

- 98 RS6-0176-000CN Drive gear - 125 tooth gear without ball bearing

**Guide**

- 99 RB2-1277-000CN Main cable guide - Protects and secures main cable
- 100 RB2-1456-000CN Lower cable guide
- 101 RB2-1457-000CN Upper cable guide

**Handle**

- 102 RB2-1361-000CN ITB drawer handle

**Laser/Scanner**

- 103 C4084-69010 Laser/scanner assembly  
REQUIRES RETURN OF DEFECTIVE PART  
*RG5-5175-000CN New Part for C4084-69010*

**Paper Output Unit**

- 104 RG5-5135-000CN Face-down delivery assembly - Delivers media from fuser to top face-down output bin

**Rod**

- 105 RB2-1284-000CN Sensor rod - Actuates rear door open sensor

**Scanner Assembly**

- RG5-5175-000CN Laser/scanner assembly

**Sensor**

- 107 FH7-7313-000CN Photo sensor - Paper delivery sensor
- 108 RG5-3292-000CN Waste toner sensor - Monitors level in waste toner reservoir
- 109 RG5-3355-000CN Toner level sensor assembly
- 110 RG5-5129-000CN Photo sensor - Fuser pressure release sensor
- 111 WG8-5362-000CN Optical sensor

**Spacer**

- 112 RS5-6210-000CN Spacer for rotary drive assembly

**Spring**

- 113 RS5-2754-000CN Rod spring - Provides tension for delivery rod
- RS6-2255-000CN T-tab spring - Provides tension for toner cartridge cover flap

**Strap**

- 115 RB2-1556-000CN Cover support strap - Supports rear door - Right side

**Switch**

- 116 RG5-3296-000CN Drawer switch assembly - Door open sensor for both drawers
- 117 RG5-5170-060CN Door switch assembly for rear door and cartridge access door
- 118 WC2-5330-000CN ITB microswitch - Verifies ITB is seated correctly

**Tab**

- RB2-0964-000CN Cover T-tab - 'T' shaped plastic piece at each end of the toner carousel cover flap - Flap spring attachment point - Where serial number prefix = JPGXXX and below

**Logic/Control Electronics**

**Firmware**

- C4084-60007 Firmware MROM DIMM - Version 4.6

**PC Board**

- C4081-60001 I/O PC board - "L" shaped PC board that plugs into Formatter board - This board contains the parallel and C-link connectors - Not a Jet Direct board
- C4084-67905 Formatter PC board assembly - Includes L-shaped I/O PCA with parallel port
- 123 C4084-69001 Formatter PC board assembly - Includes L-shaped I/O PCA with parallel port  
REQUIRES RETURN OF DEFECTIVE PART  
*C4084-67905 New Part for C4084-69001*

**Logic/Control Electronics**
**PC Board**

124	RG5-3809-000CN	DC controller board
125	RG5-3810-000CN	Paper feed PC board
126	RG5-3811-000CN	Developing PC board
127	RG5-3816-000CN	Paper size sensor board
128	RG5-5180-000CN	Developing PC board
129	RG5-5254-000CN	DC controller board

**Power Cord**

RH2-5263-000CN	Power cord (Gray) - 14 AWG, 2.3m (7.5ft) long - Has straight (F) receptacle (For 120V in the USA and Canada)
----------------	--

**MP Tray Pick-up Assembly**
**Roller**

131	RB2-0717-000CN	Smaller pick-up roller for tray 1 - Snaps onto shaft
132	RB2-0744-000CN	Larger pick-up roller for tray 1 - Snaps onto shaft

**Optional Interfaces**
**Interface (Product)**

J3110A	Ethernet 10Base-T (RJ-45) EIO network internal print server PC board
J3111A	Ethernet 10Base-T/10Base2 and LocalTalk (RJ-45, BNC, LocalTalk) EIO network PCA
J3112A	JetDirect 600N token ring LAN interface board - DB-9 and RJ-45 connectors NO LONGER SUPPLIED
J3113A	JetDirect 600N internal print server (10Base-T and 100Base-TX) LAN interface board - Plugs into peripheral EIO slot
J4135A	JetDirect connectivity card - Has one USB port, one serial (DB9) port and one LocalTalk port - Plugs in the EIO slot on selected DesignJet and LaserJet printers
J4167A	JetDirect 610N token ring LAN interface board - DB-9 and RJ-45 connectors
J4169A	JetDirect 610N internal print server (10Base-T and 100Base-TX) LAN interface board - Plugs into peripheral EIO slot - Has a RJ-45 connector - Comes with software on CD-ROM and manual

**PC Board (Interface)**

J3110-69001	JetDirect 600N EIO internal print server 10Base-T LAN interface board - Has one RJ-45 connector - (J3110A) - NOTE: EIO Interface Boards are NOT interchangeable with MIO Boards
<i>J6057-69001</i>	<i>New Part for J3110-69001</i>
J3111-69001	JetDirect 600N EIO internal print server 10Base-T, 10BASE-2, and LocalTalk LAN interface board - Has one RJ-45, BNC, and 8-pin DIN connector (J3111A) - NOTE: EIO interface boards are NOT interchangeable with MIO boards REQUIRES RETURN OF DEFECTIVE PART
<i>J3111-61001</i>	<i>New Part for J3111-69001</i>
J3112-69001	JetDirect 600N EIO internal print server token ring LAN interface board - Has one RJ-45 and DB-9 connector
<i>J4167-69001</i>	<i>New Part for J3112-69001</i>
J3113-69001	JetDirect 600N EIO internal print server 10Base-T and 100Base-T LAN interface board - Has one RJ-45 connector
J4135-61001	JetDirect connectivity card - Has one USB port, one serial (DB9) port and one LocalTalk port
J4169-69001	JetDirect 610N internal print server 10Base-T and 100Base-T LAN interface board - Has one RJ-45 connector
<i>J6057-69001</i>	<i>New Part for J4169-69001</i>

**Optional Paper Trays**
**Tray**

C4082-69001	Optional 500 sheet paper tray (Tray 3) - Includes main body assembly and 500 sheet paper cassette - Standard on 45XXDN REQUIRES RETURN OF DEFECTIVE PART
<i>C4082-67901</i>	<i>New Part for C4082-69001</i>
C4082A	HP LaserJet 4500/N/DN 500 Sheet Paper tray (Tray 3) - Holds up to 500 sheets of letter, legal, Executive, A4, JIS B5, or ISO B5 paper sizes

**Other Accessories****CD-ROM (Support)**

C7085-60123 Color LaserJet 4500 service manual on CD-ROM format

**Cabinet**

C4235A Custom cabinet for color LJ4500 - Provides stand on wheels with extra storage space

**Cartridge**

C4191A Black toner cartridge - Contains toner and developer  
C4192A Cyan toner cartridge - Contains toner and developer  
C4193A Magenta toner cartridge - Contains toner and developer  
C4194A Yellow toner cartridge - Contains toner and developer  
R94-4002-410CN Yellow toner cartridge  
R94-4002-510CN Yellow toner cartridge - For sale in europe ONLY  
R94-4003-410CN Magenta toner cartridge  
R94-4003-510CN Magenta toner cartridge - For sale in Europe ONLY  
R94-4004-410CN Cyan toner cartridge  
R94-4004-510CN Cyan toner cartridge - For sale in Europe ONLY  
R94-4005-410CN Black toner cartridge  
R94-4005-510CN Black toner cartridge - For sale in Europe ONLY

**Cleaning Supplies**

5090-3379 Toner cleaning cloth - Specially treated cloth for absorbing toner (1 per package) - Ideal for ckening up toner spills

**Drum**

C4195A Photoconductive drum cartridge kit - Photosensitive drum and waste toner collection reservoir assembly - Transfers image colors to itermediate transfer belt  
R94-4001-410CN Photoconductive drum cartridge kit - Photosensitive drum and waste toner collection reservoir assembly - Transfers image colors to itermediate transfer belt

**Duplexer**

C4083-69001 Duplexer assembly - For 2 sided printing capability  
C4083A Duplexer assembly - For 2 sided printing capability

**Film (Transparency)**

C2936A Color LaserJet transparency film - A4 size (21.0cm x 29.7cm) - 50 sheets per box  
C2934A Color LaserJet transparency film - A size (8.5 x 11-inches) - 50 sheets per box

**Flap**

C4084-67909 Toner carousel kit - Includes toner flap and four labels

**Kit**

C4084-67911 Fuser deflector kit - Includes black paper deflector, gray tab, and spring on left end  
C4084-69004 Fuser kit - Contains fuser assembly, 2 separation/2 pickup rollers, both air filters, and cleaning cloth - 110/120 volt  
REQUIRES RETURN OF DEFECTIVE PART  
*R96-5007-000CN New Part for C4084-69004*  
C4084-69005 Fuser kit - Contains fuser assembly, 2 separation/2 pickup rollers, both air filters, and cleaning cloth - 220/240 volt  
REQUIRES RETURN OF DEFECTIVE PART  
*R96-5008-000CN New Part for C4084-69005*  
C4196A Transfer kit - Contains intermediate transfer belt, secondary transfer roller, both air filters and toner cloth  
C4197A Fuser kit - Contains fuser assembly, one separation roller, three pickup rollers, both air filters, and a cleaning cloth - 110/120 volt  
C4198A Fuser kit - Contains fuser assembly, 2 separation/2 pickup rollers, both air filters, and cleaning cloth - 220/240 volt  
C7085-69007 Transfer kit - Contains ltermediate Transfer Belt, secondary transfer roller, both air filters and toner cloth  
REQUIRES RETURN OF DEFECTIVE PART  
*R96-5009-000CN New Part for C7085-69007*  
R96-5009-000CN Transfer kit - Contains ltermediate Transfer Belt, secondary transfer roller, both air filters and toner cloth

**Other Accessories****Manual**

5851-1468	LaserJet printer family paper specification guide
5851-1893	Color LaserJet 4500/4550 quick reference service guide - Troubleshooting technical guide
C7085-90921	Color LaserJet 4500 service manual (English)

**Paper (Glossy)**

C4179B	Soft gloss color LaserJet paper - A4 size (21.0cm x 29.7cm) - 200 sheets per package
C4179A	Soft gloss color LaserJet paper - A size (8.5 x 11-inches) - 200 sheets per package

**Software**

C6072-60301	HP-GL/2 driver software for AutoCAD - For DOS and Windows 3.1/95/NT 4.0 - On 3.5-inch 1.44MB floppy disks (English)
C6072-60304	HP-GL/2 driver software for AutoCAD - For DOS and Windows 3.1/95/NT 4.0 - On 3.5-inch 1.44MB floppy disks (German)
C6072-60305	HP-GL/2 driver software for AutoCAD - For DOS and Windows 3.1/95/NT 4.0 - On 3.5-inch 1.44MB floppy disks (French)
C6072-60306	HP-GL/2 driver software for AutoCAD - For DOS and Windows 3.1/95/NT 4.0 - On 3.5-inch 1.44MB floppy disks (Spanish)
C6072-60307	HP-GL/2 driver software for AutoCAD - For DOS and Windows 3.1/95/NT 4.0 - On 3.5-inch 1.44MB floppy disks (Italian)

**Tray**

RG5-4055-050CN	Duplexer assembly pull-out tray
----------------	---------------------------------

**Paper Path Parts****Bushing**

RB2-0830-000CN	Lift plate bushing - White plastic bushing with four tangs on one side
RB2-0831-000CN	Plate holder bushing - White round plastic bushing with slot cut on one side
191 RB2-1158-000CN	Bushing - Supports left side of cartridge drum
192 RB2-5185-000CN	Bushing - Supports left side of cartridge drum

**Drive Assembly**

193 RG5-5502-100CN	Toner cartridge carousel drive assembly
--------------------	---

**Feed Assembly**

194 RG5-3226-000CN	Feeder assembly - Moves media from transfer area to fuser
195 RG5-5117-000CN	Feeder assembly - Moves media from transfer area to fuser

**Fusing Assembly**

196 C4084-69003	Fusing assembly (240v, 50Hz operation) - Bonds toner to paper by heat
C7085-69005	<i>New Part for C4084-69003</i>
197 C7085-69004	Fusing assembly (120v, 60Hz operation) - Bonds toner to paper by heat - (C4197A) REQUIRES RETURN OF DEFECTIVE PART
RG5-5154-120CN	<i>New Part for C7085-69004</i>
RG5-5154-120CN	Fusing assembly (120v, 60Hz operation) - Bonds toner to paper by heat

**Roller**

RB2-0502-020CN	Pressure roller - Pressure roller inside fusing assembly - Hollow aluminum tube with soft brown covering - Does not come with heating element
200 RF5-2112-000CN	Transfer roller assembly

**Paper Pick-up Assembly****Arm**

201 RG5-4696-050CN	Rowel swing assembly - Aids in printing of envelopes and small media
--------------------	--

**Bushing**

202 RS5-1293-000CN	Bushing
--------------------	---------

**Paper Pick-up Assembly****Cable**

203	RG5-3785-000CN	Paper feed cable
204	RG5-3787-000CN	Dual cable assembly - One cable is a large 12 pin (F) connector to a grounding wire with a ring terminal and a 5 pin (F) connector - Other cable has four connectors: a 14 pin (F), two 8 pin (F), and a 7 pin (F) - Overall length is 39.4cm (15.5 inches)

**Cam**

205	RG5-3240-000CN	Transfer cam assembly - Lifts transfer assembly
206	RG5-3241-000CN	ITB cam assembly - Raises and lowers ITB assembly
207	RG5-3242-000CN	ICL cam assembly - Roller that cleans excess toner from ITB
208	RG5-5118-000CN	Transfer cam assembly - Lifts transfer assembly

**Clutch**

209	RB2-0561-000CN	One-way clutch
210	RB2-0572-000CN	One-way clutch
211	RH7-5176-060CN	Electromagnetic clutch
212	RH7-5178-000CN	Electromagnetic clutch
213	RH7-5180-000CN	Electromagnetic clutch

**Gear**

214	RF5-2161-000CN	Cluster gear - 18 tooth/52 tooth
215	RS6-0132-000CN	Gear - 35 tooth
216	RS6-0133-000CN	Cluster gear - 37/14 tooth
217	RS6-0134-000CN	Cluster gear - 30/16 tooth
218	RS6-0135-000CN	Gear - 27 tooth
219	RS6-0136-000CN	Gear - 31 tooth
220	RS6-0137-000CN	Cluster gear - 26/18 tooth
221	RS6-0138-000CN	Gear - 20 tooth
222	RS6-0139-000CN	Gear - 18 tooth
223	RS6-0140-000CN	Gear - 18 tooth - Has 1-3/16 inch long attached sleeve
224	RS6-0141-000CN	Gear - 19 tooth
225	RS6-0143-000CN	Gear - 37 tooth
226	RS6-0144-000CN	Cluster gear - 34/15 tooth
227	RS6-0145-000CN	Cluster gear - 29/17 tooth
228	RS6-0146-000CN	Gear - 52 tooth
229	RS6-0147-000CN	Gear - 47 tooth
230	RS6-0149-020CN	Gear - 26 tooth - Has four square slots cut in long end of sleeve
231	RS6-0150-000CN	Gear - 29 tooth
232	RS6-0151-000CN	Gear - 16 tooth
233	RS6-0152-000CN	Gear - 29 tooth
234	RS6-0153-000CN	Gear - 49 tooth
235	RS6-0154-000CN	Cluster gear - 39/31 tooth
236	RS6-0155-000CN	Gear - 53 tooth
237	RS6-0156-000CN	Cluster gear - 53/46 tooth
238	RS6-0157-000CN	Cluster gear - 18/14 tooth
239	RS6-0158-000CN	Gear - 17 tooth
240	RS6-0159-000CN	Gear - 26 tooth
241	RS6-0163-000CN	Cluster gear - 24/37 tooth

**Gear/Arm**

242	RG5-3228-000CN	Coupler assembly - Upper gear and mount - Not cluster gear
-----	----------------	--



## Paper Pick-up Assembly

### Kit

C4084-67910 Paper pick-up plate kit - Kit includes left and right metal paper guide plates, both white plastic bushings for each side and both black plastic covers for plate ends

### Lever

244 RB2-0576-000CN Sensor lever - Tray 2 paper sensor lever

### Link

245 RB2-0614-000CN Rowel link - Small white plastic arm with pin at one end elongated hole at other end

### Motor

246 RG5-3227-000CN Fusing assembly motor

247 RH7-1343-000CN Stepper motor

### Plate

248 RF5-2138-000CN Support plate - Supports secondary transfer assembly  
NO LONGER SUPPLIED

*RY7-5091-000CN New Part for RF5-2138-000CN*

### Roller

249 RB1-8865-000CN Paper pick-up roller - 'D' roller (Sold individually)

250 RF5-2092-000CN Roller - Feed roller for tray 2

### Sensor

251 RG5-3234-000CN Paper size sensor

### Shaft

252 RB2-0545-000CN Paper pickup shaft - Shaft that pick-up rollers attach to

### Solenoid

253 RG5-3245-000CN Solenoid assembly - SL2 - Controls paper pickup roller for tray 2 - Where serial number prefix = JPGxxx and below

254 RG5-5119-000CN Solenoid assembly - SL2 - Controls paper pickup roller for tray 2 - Where serial number prefix = JPHx through JPZx

### Spring

RS5-2733-000CN Plate lift spring - Tension springs used with metal paper guide plates - Two used

256 RS5-2800-000CN Rowel link spring

### Transfer Assembly

257 RG5-3235-000CN Transfer assembly - Secondary transfer

*RY7-5091-000CN New Part for RG5-3235-000CN*

258 RY7-5091-000CN Transfer assembly kit - Secondary transfer assembly

## Power Supplies and Parts

### Power Supply

259 C4084-69011 Power supply assembly - 100-120VAC  
REQUIRES RETURN OF DEFECTIVE PART

*RH3-2219-000CN New Part for C4084-69011*

260 C7085-69003 High voltage power supply assembly  
REQUIRES RETURN OF DEFECTIVE PART

*RG5-5165-060CN New Part for C7085-69003*

261 RG5-3285-000CN High voltage power supply assembly - Where serial number prefix = JPGxxx and below

262 RH3-2220-000CN Power supply assembly - 220-240VAC

## Upper Drawer Assembly

### Cover

263 RB2-0916-000CN Density sensor connector cover

### Drawer

264 RG5-5142-000CN Developing drum drawer assembly

265 RG5-5230-000CN Developing drum drawer assembly

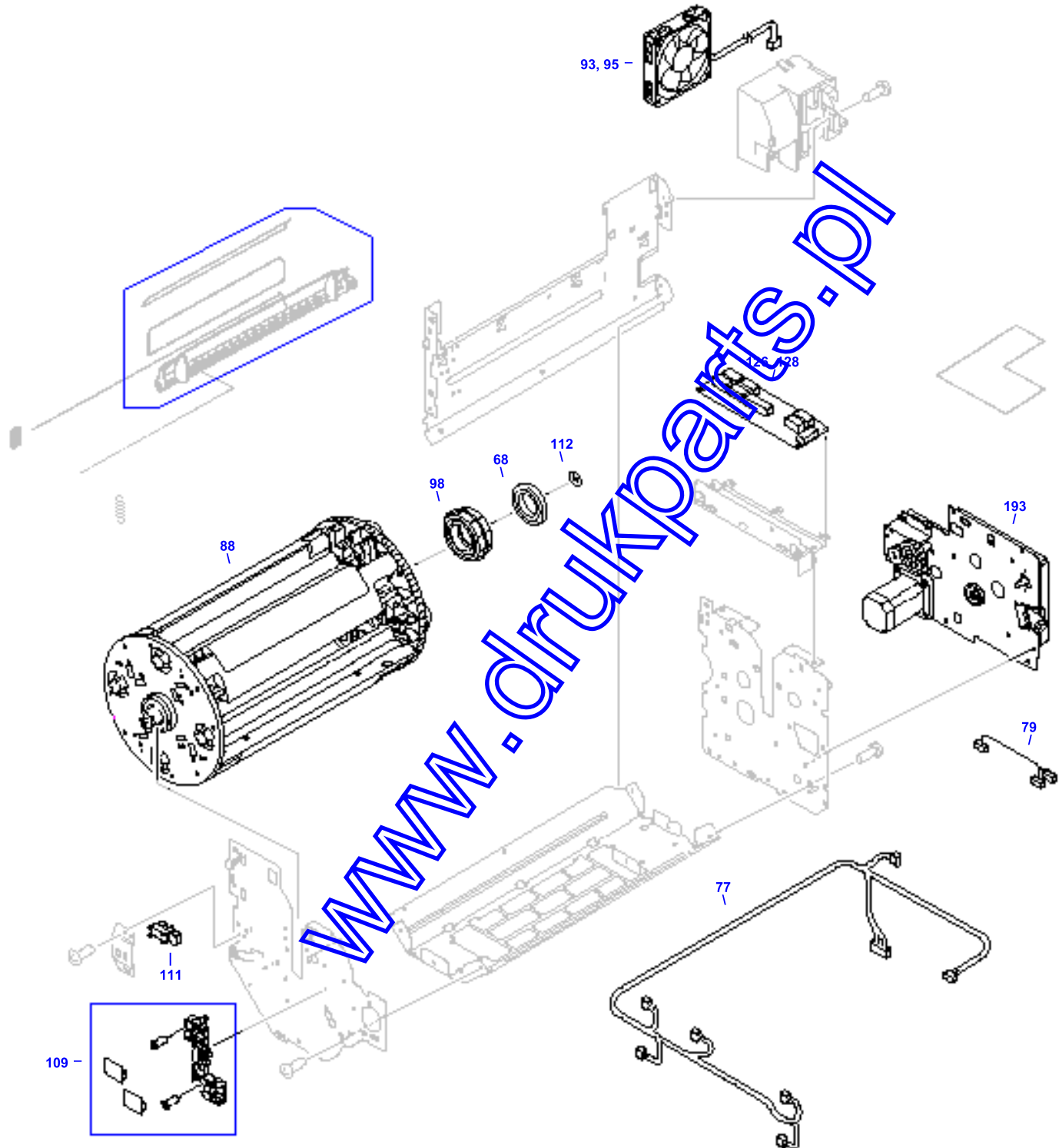
## Upper Drawer Assembly

### Sensor

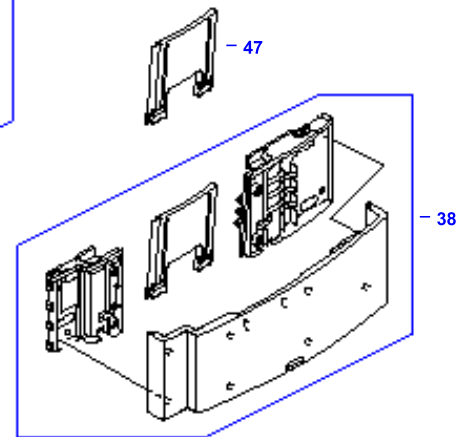
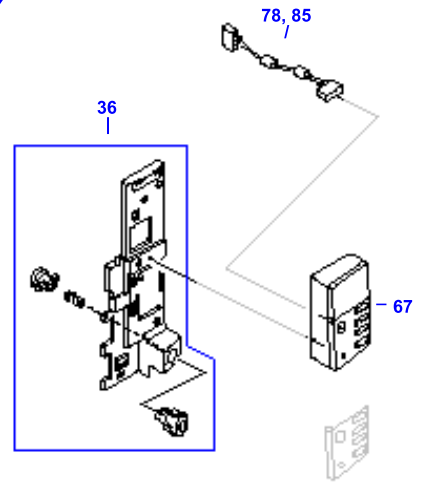
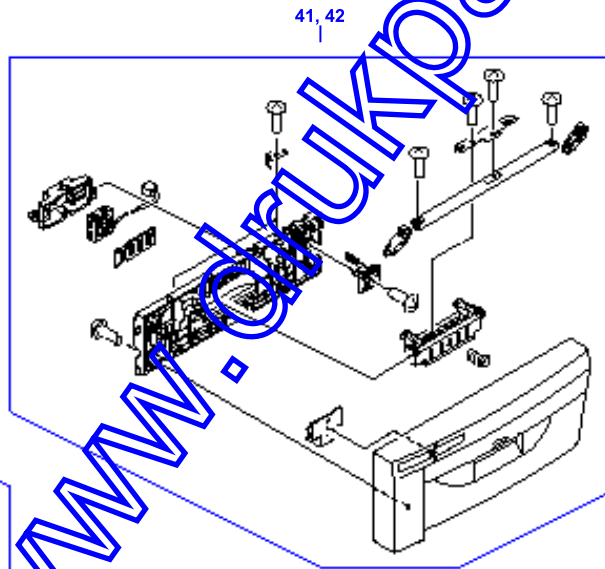
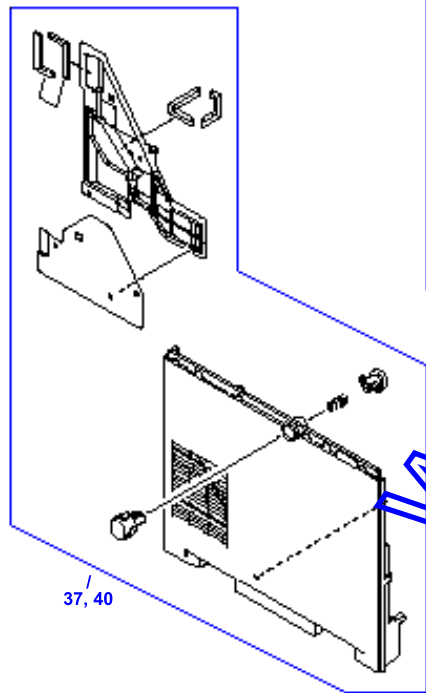
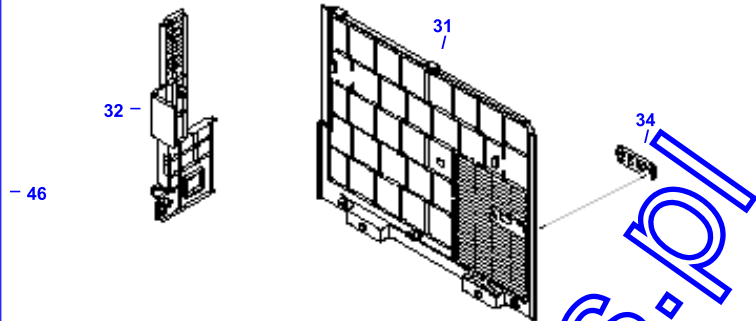
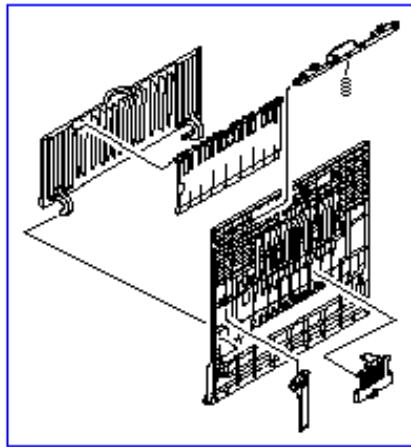
- 266 RG5-3281-000CN Density sensor assembly - Senses density of toner on drum during calibration routine
- 267 RG5-5149-000CN Density sensor assembly - Senses density of toner on drum

[www.drukparts.pl](http://www.drukparts.pl)

Developing Assembly

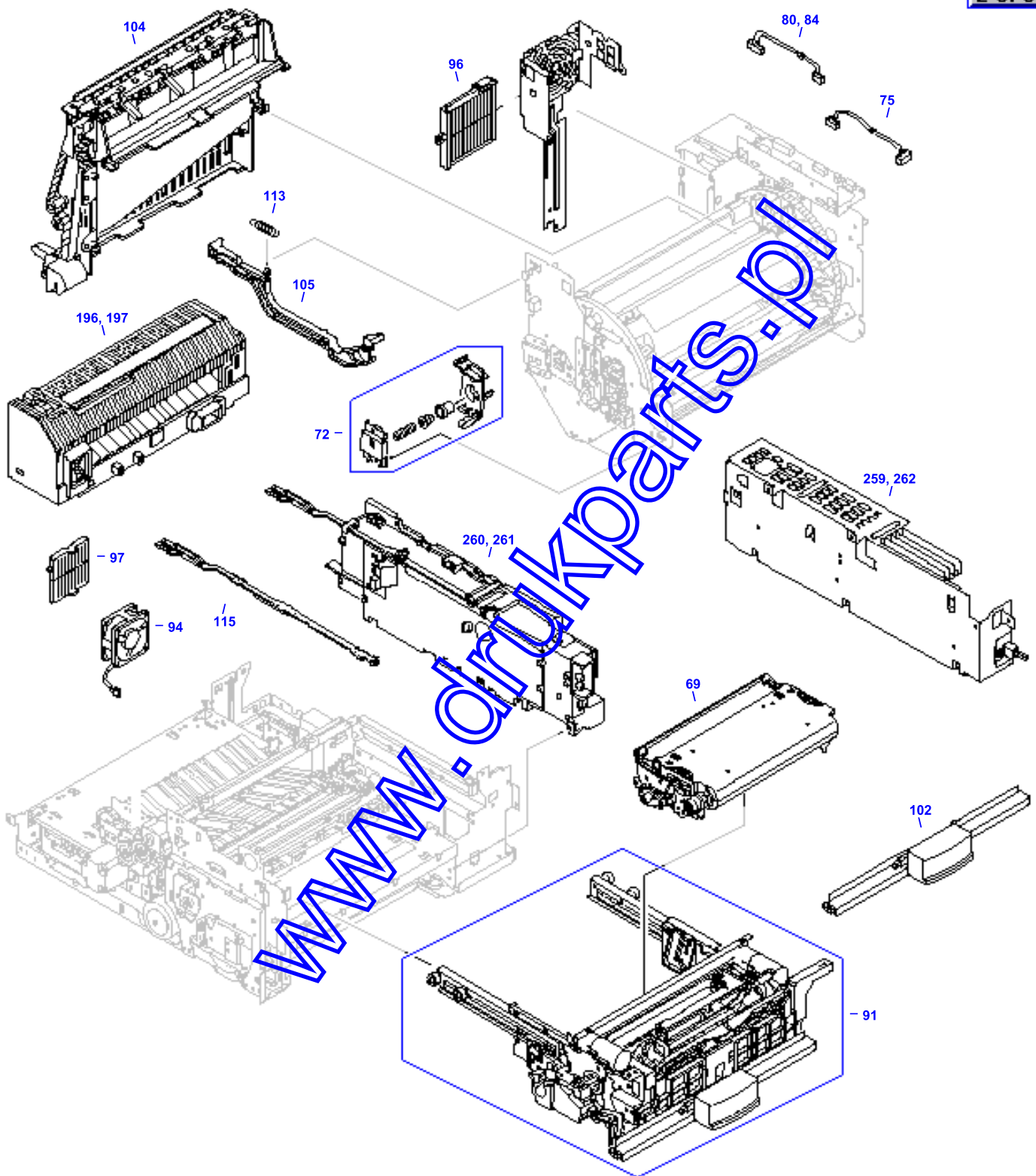


External Covers and Panels



Internal Components (1 of 3)

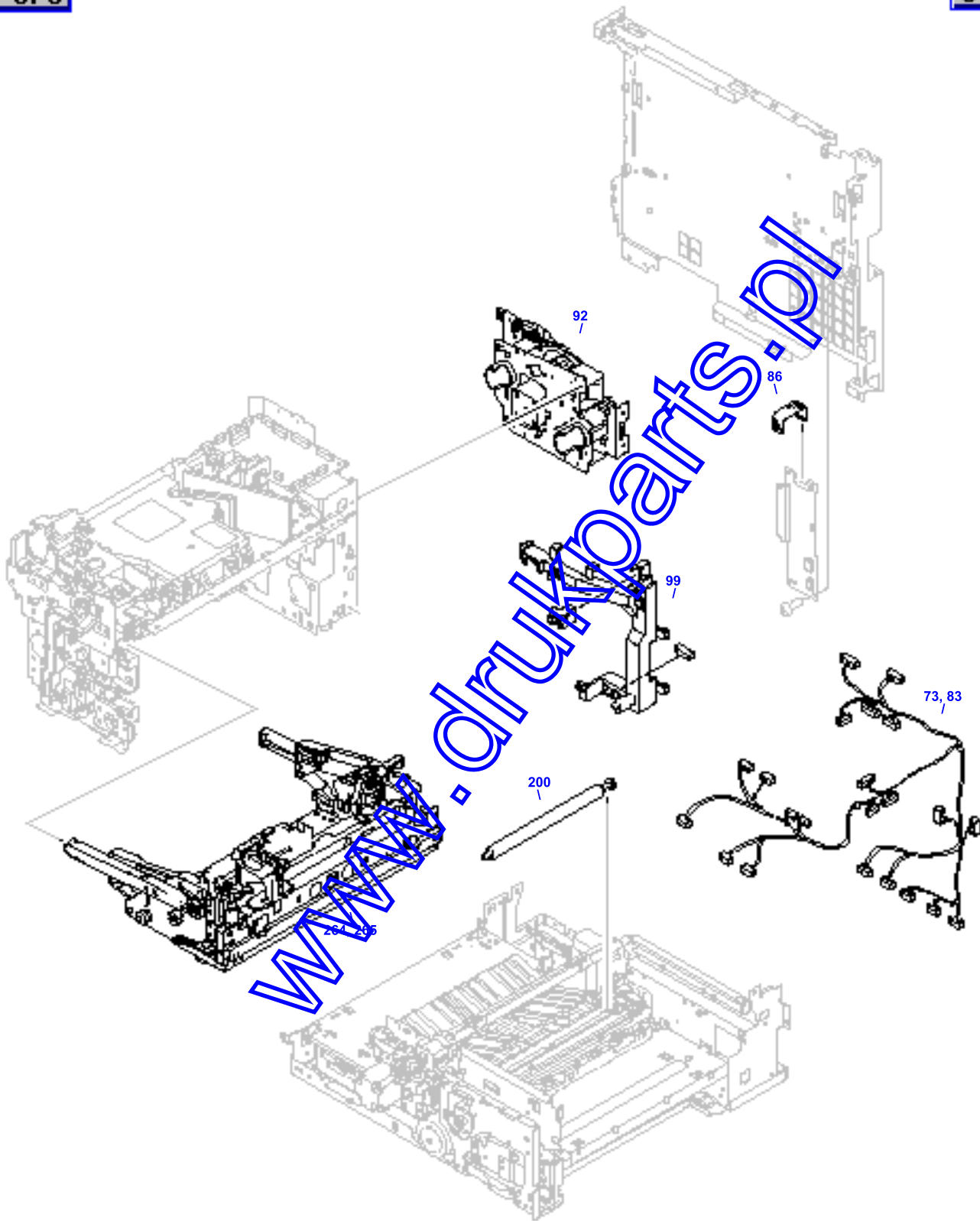
2 of 3 →



Internal Components (2 of 3)

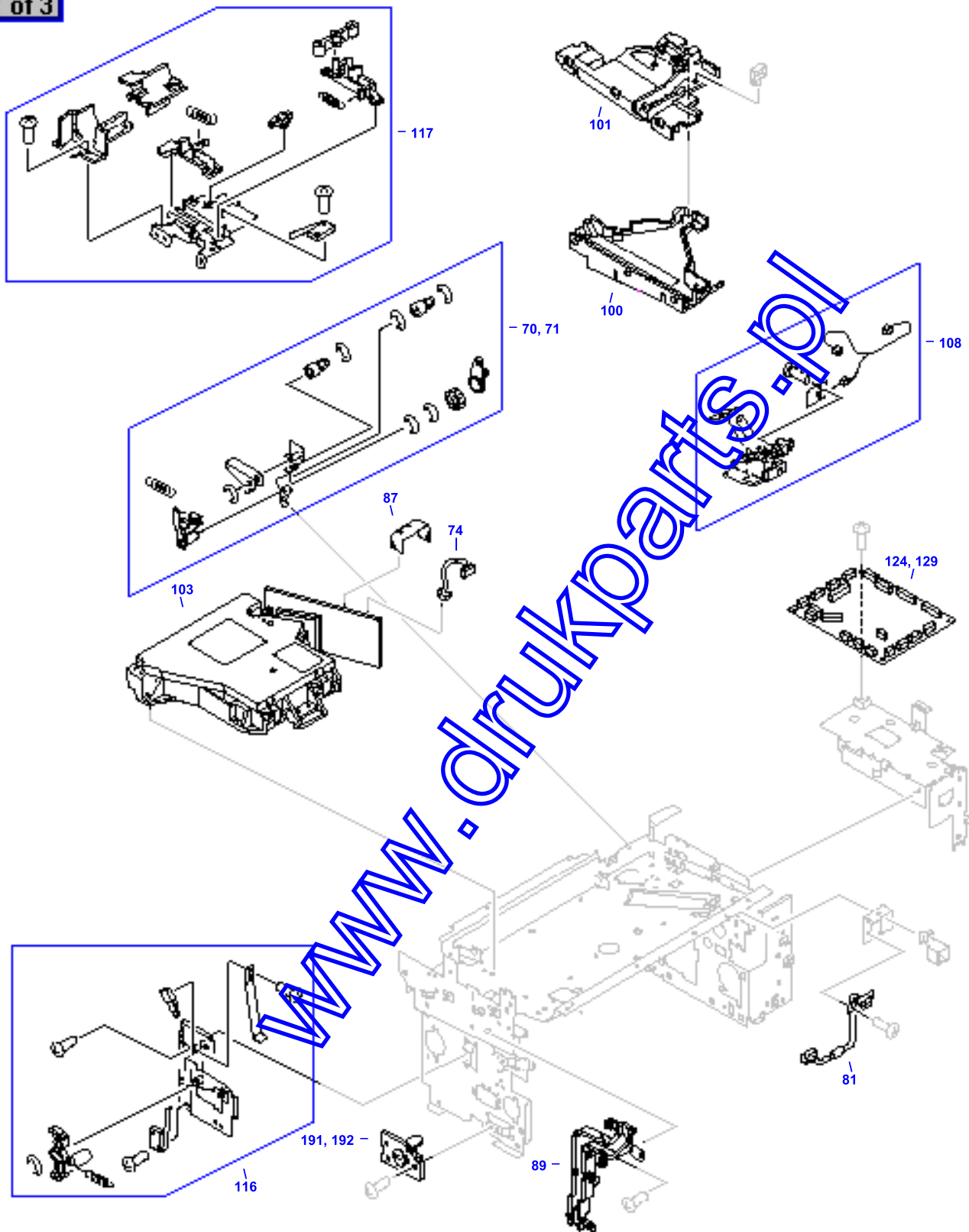
← 1 of 3

3 of 3 →

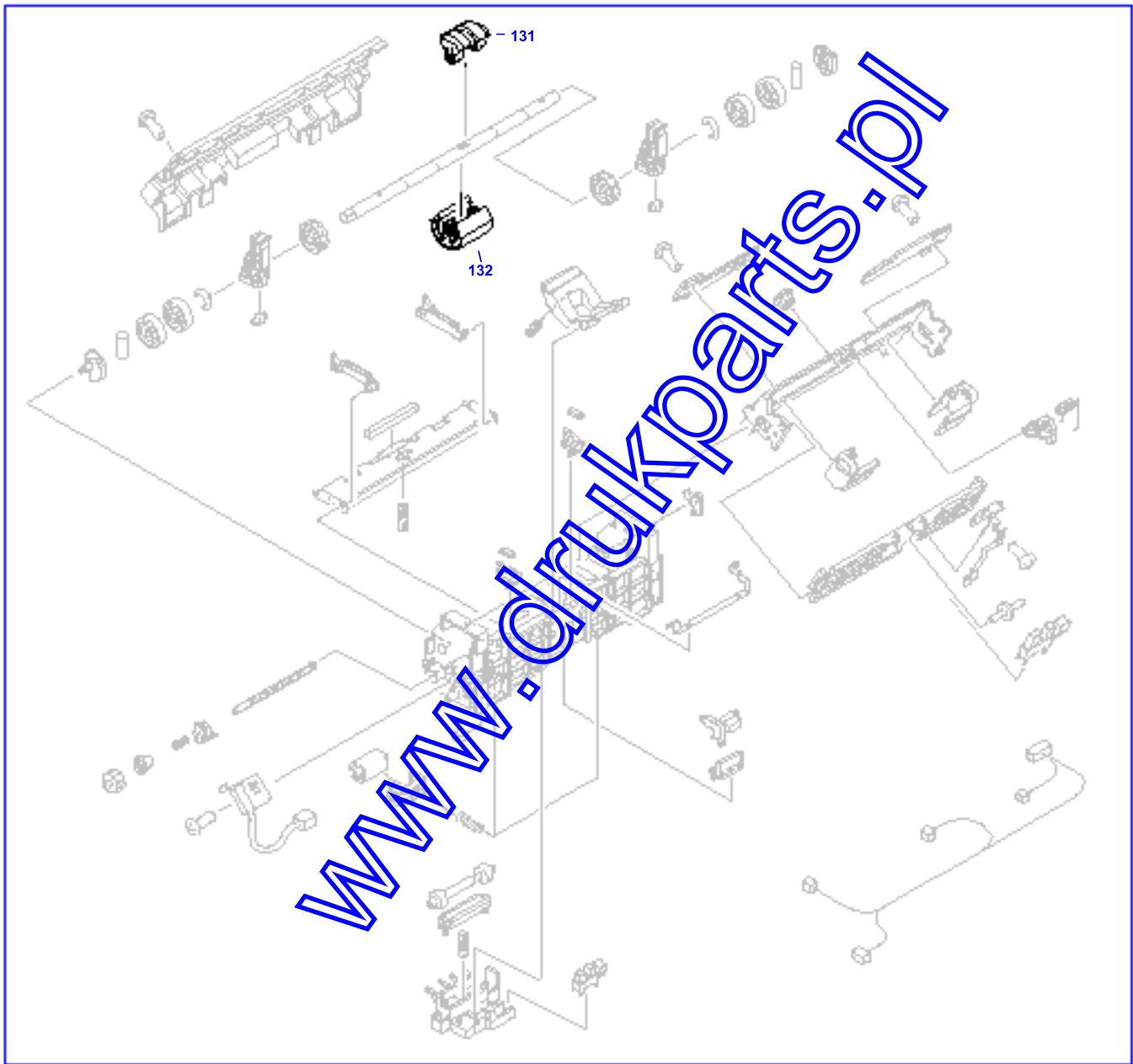


Internal Components (3 of 3)

← 2 of 3



MP Tray Paper Pick-up Assembly

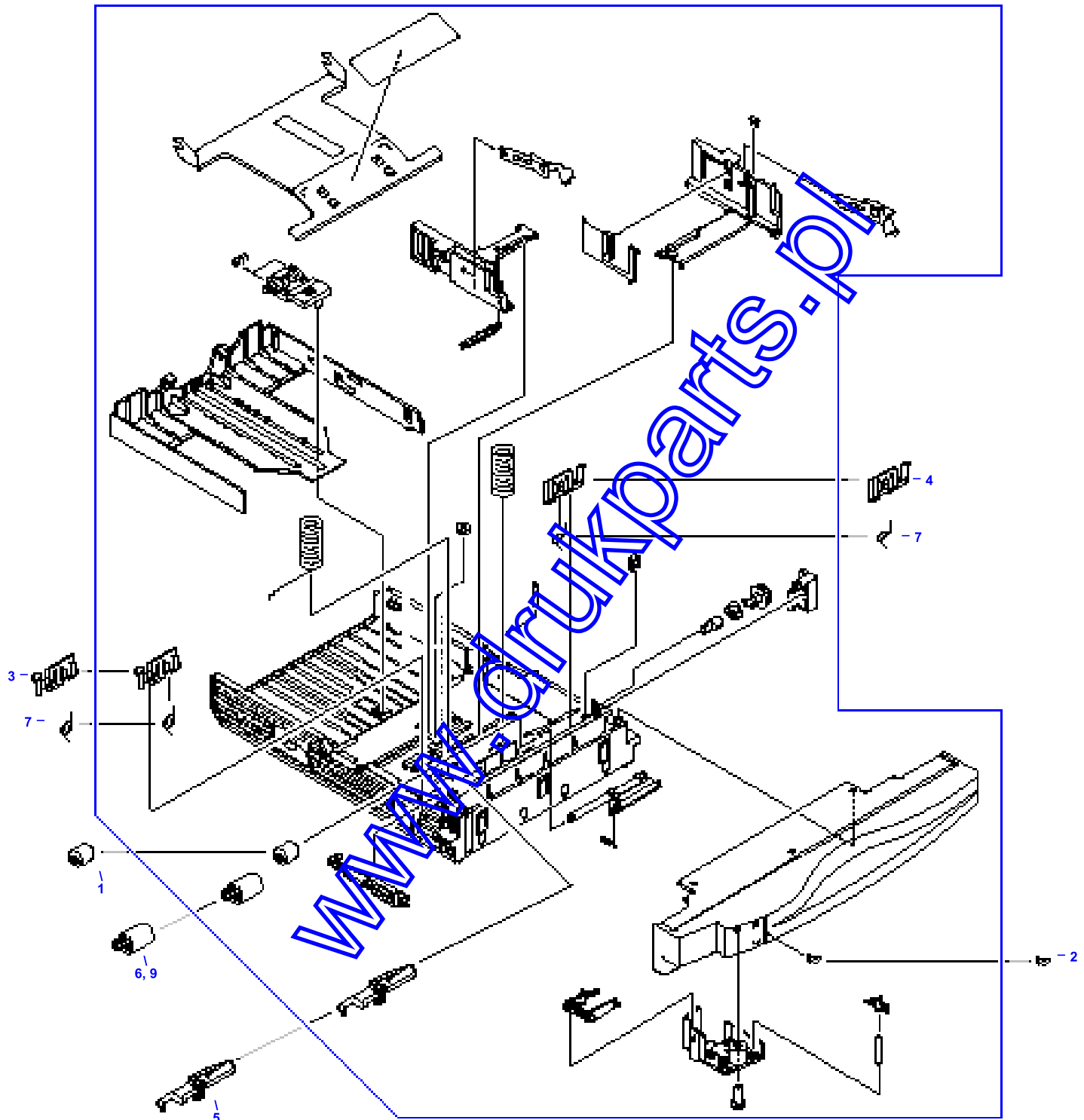


MP Tray Paper Pick-up Assembly

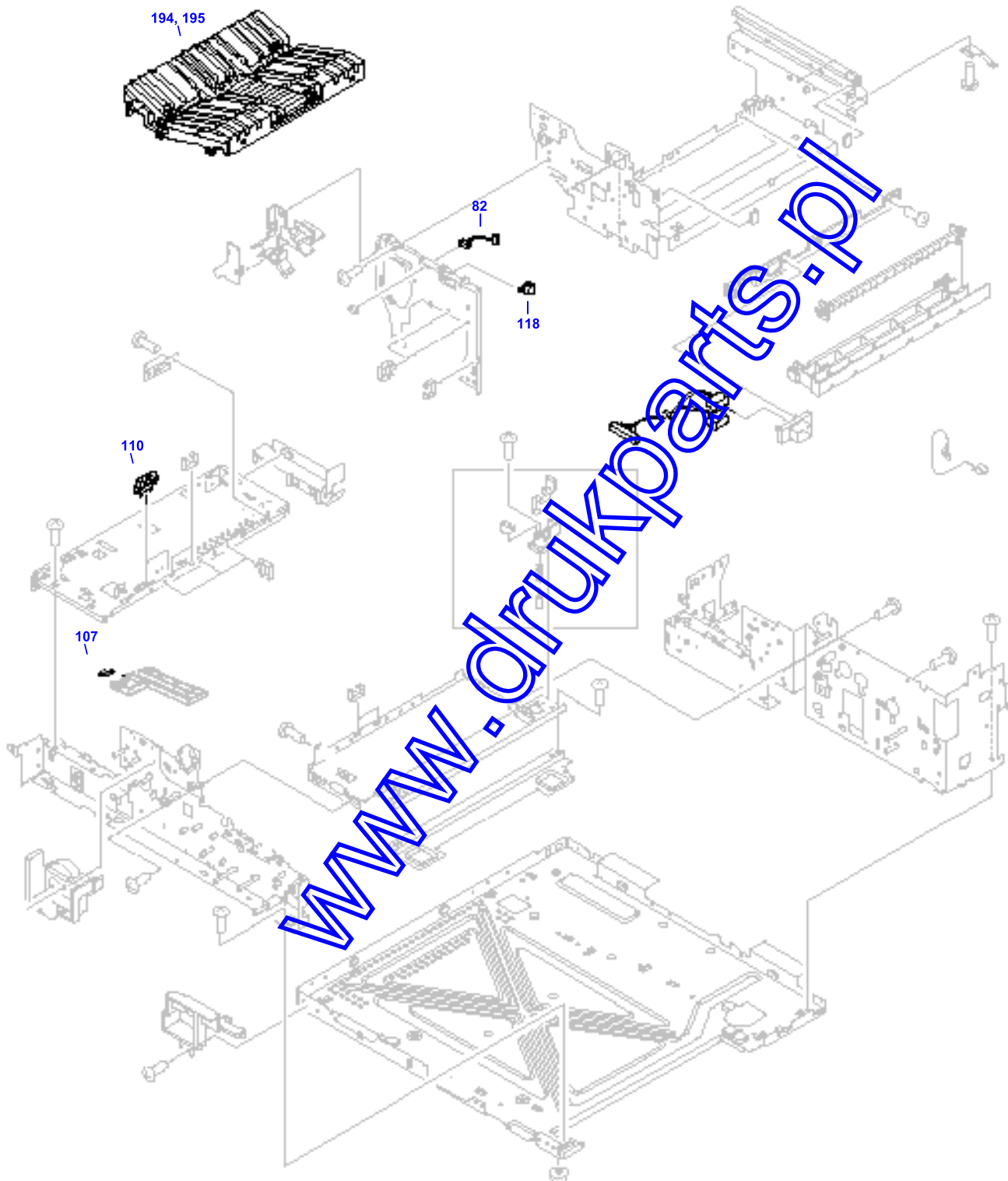


Paper Cassette

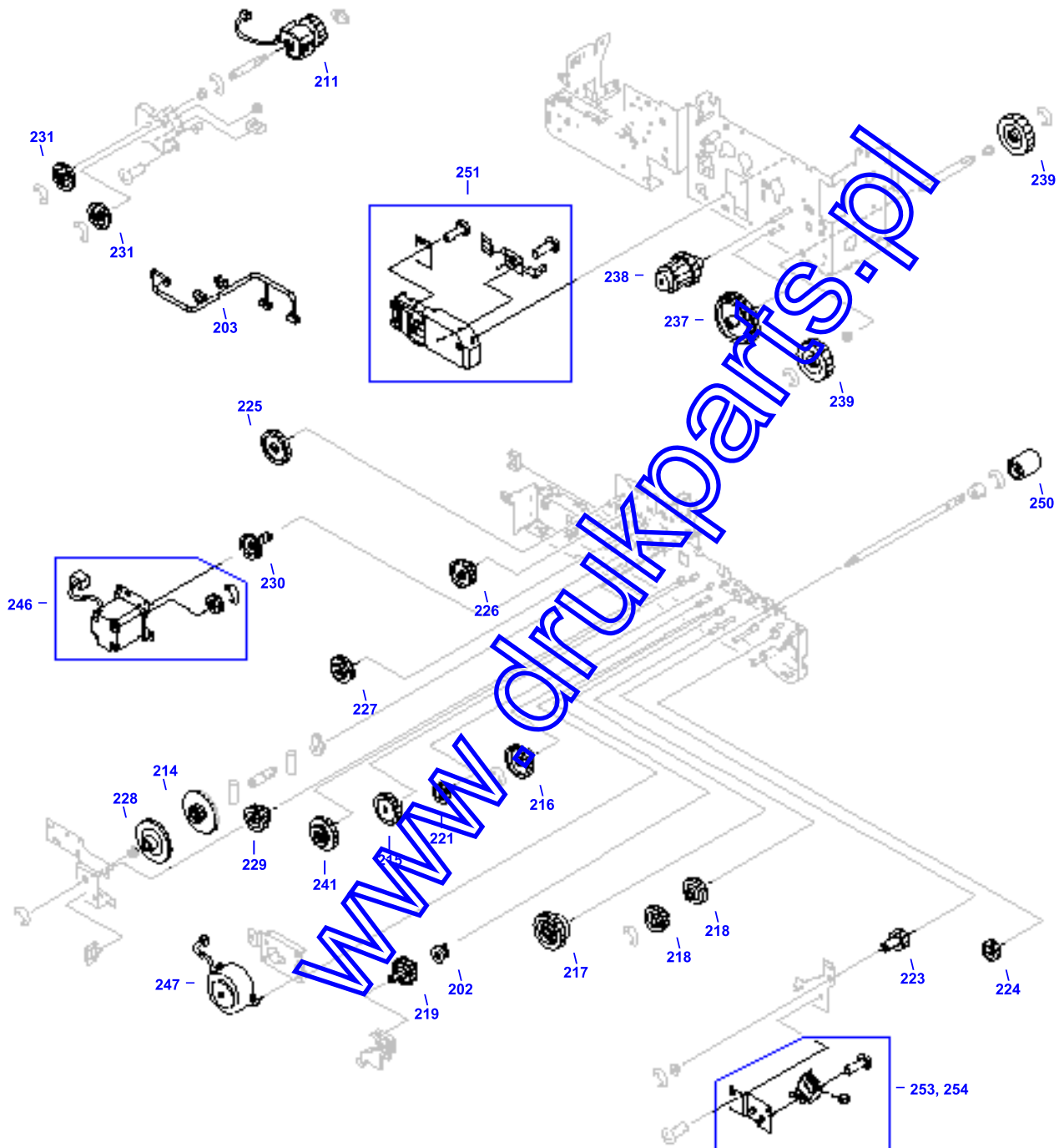
Paper Cassette



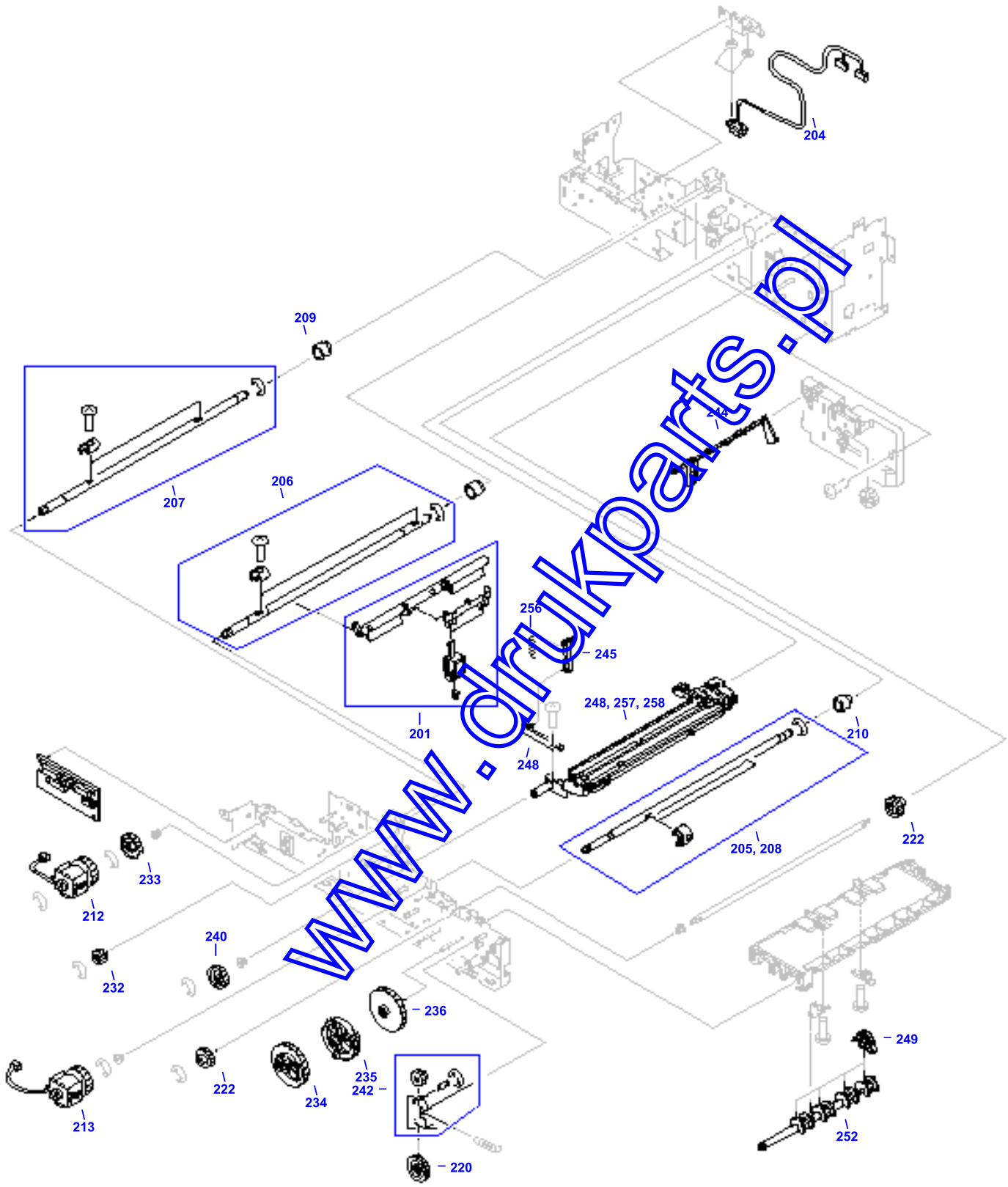
Paper Pick-up Assembly (1 of 3)



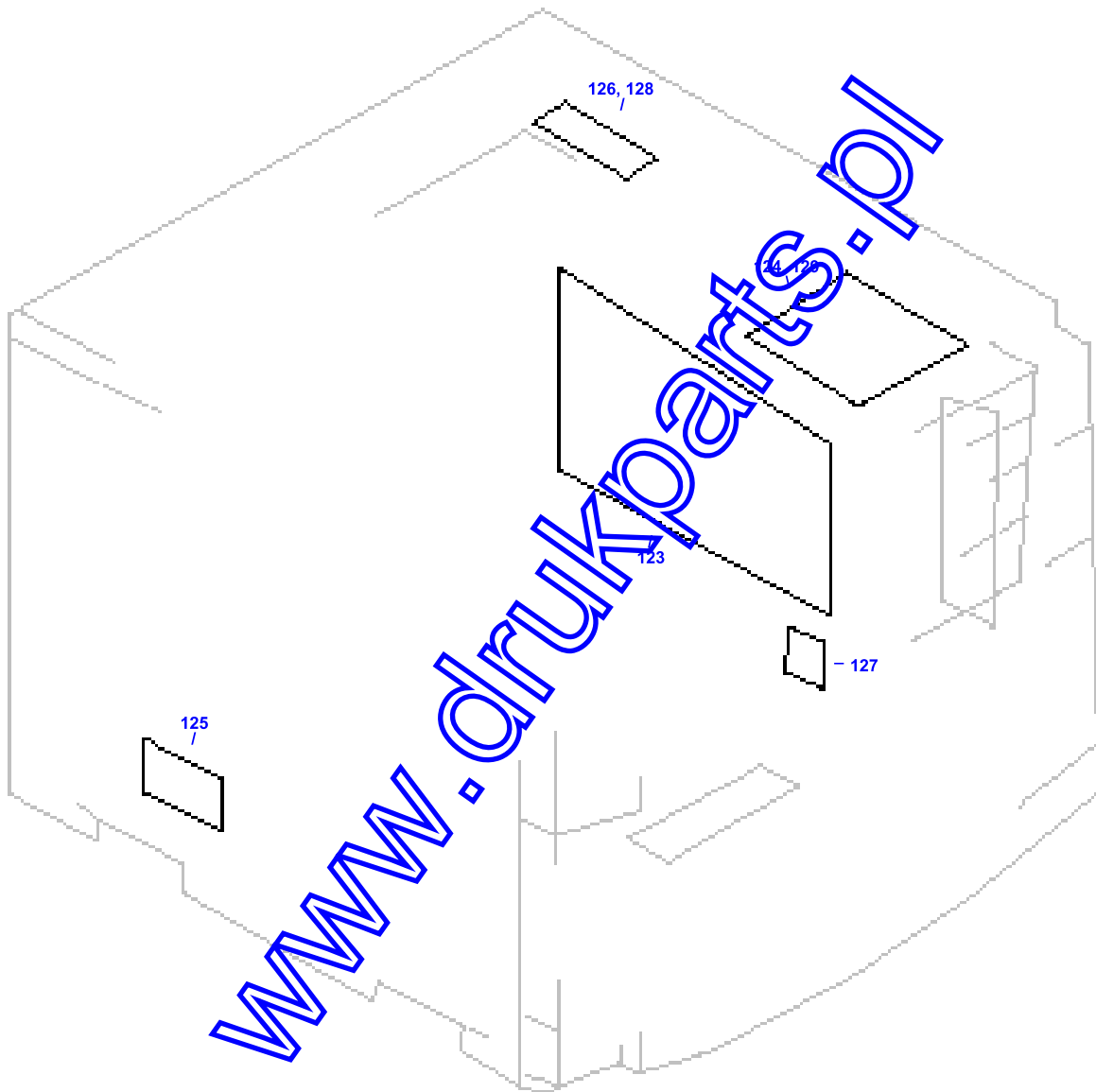
Paper Pick-up Assembly (2 of 3)



Paper Pick-up Assembly (3 of 3)

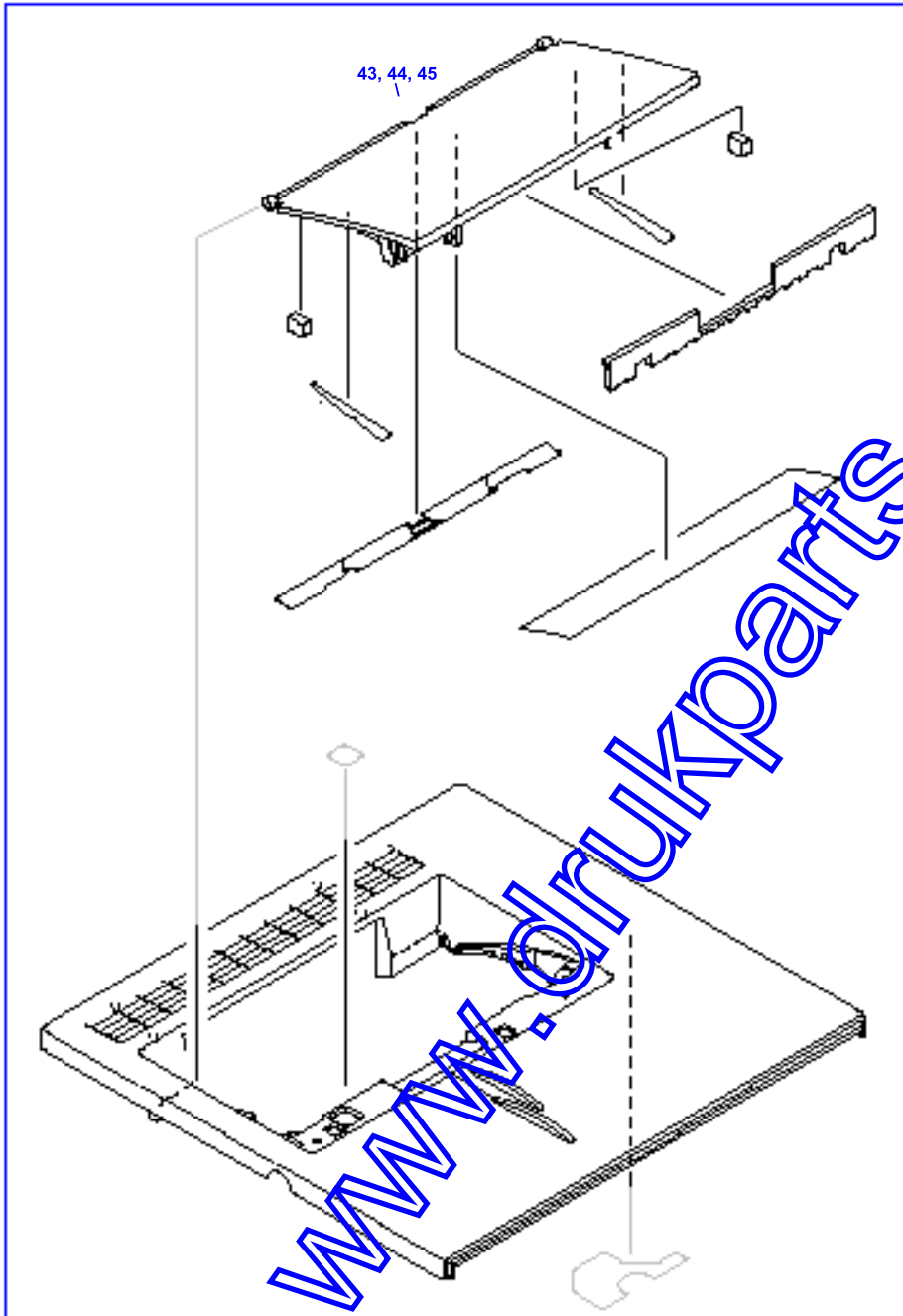


PCB Locations



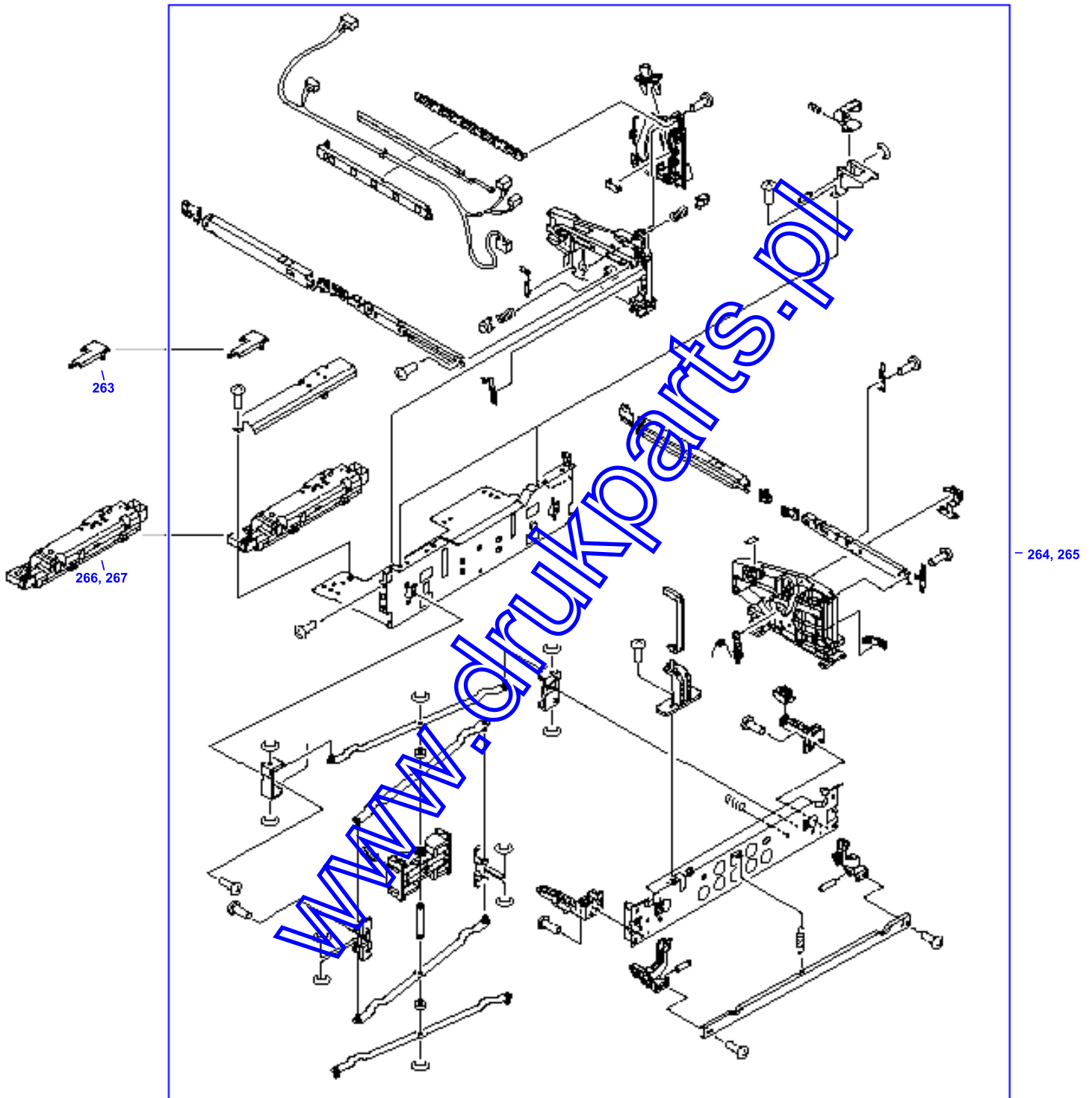
Top Cover Assembly

35, 39 -  Top Cover Assembly



Upper Drawer Assembly

Upper Drawer Assembly



**HP Parts Reference Guide**

<http://www.hp.com/go/parts>

**HP PartSurfer**

<http://partsurfer.hp.com>

**HP Parts Ordering Information**

<http://www.hp.com/go/hpparts>

**HP Parts Questions/Comments**

<http://partsurfer.hp.com/contactus.htm>

[www.drukparts.pl](http://www.drukparts.pl)