

Electronic Accessories

Cable (Interface)

C2950A	IEEE-1284 Bi-Tronics parallel cable - DB-25 (M) connector (type A) to 36 pin Centronics (M) connector (type B) - 2.0m (6.6ft) long
5063-1256	<i>New Part for C2950A</i>
C2951A	IEEE-1284 Bi-Tronics parallel cable - DB-25 (M) connector (type A) to 36 pin Centronics (M) connector (type B) - 3.0m (9.8ft) long
8120-8485	Universal Serial Bus (USB) interface cable - Type 'A' connector to type 'B' connector, 1.8m (6.0 ft) long
8121-0712	Universal serial bus (USB) interface cable - Type 'A' connector to type 'B' connector - 0.6m (24-inches) long
C6518A	Universal serial bus (USB) interface cable - Type 'A' connector to type 'B' connector - 2.0m (6.6ft) long

Interface (Product)

J3265A	External JetDirect 500X LAN interface module - Interfaces up to 3 parallel printers to an ethernet 10Base-T (RJ-45), 10Base2 (BNC), or 100Base-TX (RJ-45) LAN
J3258B	External JetDirect 170X LAN interface module - Interfaces a parallel printer to an ethernet 10Base-T (RJ-45) LAN
J6035C	HP JetDirect 175X Fast Ethernet external print server - Has on 4-pin USB connector and one RJ-45 LAN connector - Connects to the printer via the USB port and the network via the LAN port
J3263A	External JetDirect 300X LAN interface module - Interfaces a parallel printer to an ethernet 10Base-T (RJ-45) or 100Base-TX (RJ-45) LAN
J6061A	JetDirect 380X external IEEE-802.11b (Wi-Fi) wireless print server - Connects to printer using Universal Serial Bus (USB) cable
J7942A	HP JetDirect en3700 external print server - Fast Ethernet Internet connector for sharing peripherals with USB ports, in a 10/100 TX LAN environment - Has one USB 2.0 printer port and one RJ-45 10/100 Base-TX connector - Includes software and power module

Memory (DIMM)

C7845-67901	32MB, 100-pin SDRAM DIMM memory module
Q1887-67901	64MB, 100-pin SDRAM DIMM memory module
C9121-67901	128MB, 100MHz synchronous SDRAM DIMM memory module

Memory (Product)

C7845A	32MB, 100-pin SDRAM DIMM memory module
Q1887A	64MB, 100-pin synchronous SDRAM DIMM memory module
C9121A	128MB, 100MHz synchronous SDRAM DIMM memory module

Electronics/Power Cords

Cable

18	RG5-6971-000CN	Cable assembly (two 3-pin connectors and a spud lug) - Power cable for the fusing assembly - Connects from the fusing assembly connector to the chassis ground and the low voltage power supply board
19	RG5-7106-000CN	Cable assembly (two 2-pin connectors) - Connects from the low voltage power supply board to the formatter board
20	RG5-7108-000CN	Cable assembly (8-pin - Purple wire) - (J403 to J133) Connects the low voltage power supply board to the DC controller board
21	RG5-7109-000CN	Cable assembly (two 7-pin connectors) - Connects the DC controller board to the fusing assembly connector
22	RG5-7114-000CN	Cable assembly (two connectors) with shield - Connects between the toner cartridge drive motor and the DC controller board
23	RG5-7115-000CN	Cable assembly (two connectors) - Connects between the roller engaging sensor (PS714) and the DC controller board
24	RG5-7117-000CN	Cable assembly (two connectors) - Connects the engaging sensor (PS 712) on the toner cartridge carousel to the DC controller board
25	RG5-7122-000CN	Cable assembly - 'Y' type cable (three connectors) - The 14-pin connector splits into an 8-pin connector and a 6-pin connector
26	RG5-7123-000CN	Grounding cable assembly
27	RG5-7126-000CN	Cable assembly (two connectors) - Connects the Sub-high voltage board to the high voltage board
28	RG5-7128-000CN	Cable assembly (four connectors)
29	RG5-7129-000CN	Cable assembly (two connectors and two spade lugs) - Connects the toner cartridge contacts on the left carousel side plate to the high voltage power supply
30	RG5-7130-000CN	High voltage cable assembly - Connects between the high voltage board spring contacts and the cables to the toner cartridge carousel left plate assembly

Electronics/Power Cords

Cable

- 31 RG5-7145-000CN Front cable assembly (six connectors) - Interconnects various components on the front frame assembly and right side to the DC controller board
- 32 RG5-7146-000CN High voltage cable assembly (four connectors) - Connects between the high voltage power supply board and the DC controller board
- 33 RG5-7620-000CN Cable assembly (two connectors) - Connects between the fusing assembly drive motor and the DC controller board
- 34 RG5-7621-000CN Cable assembly (two 8-pin connectors) - (J402 to J134) Connects the low voltage power supply board to the DC controller board
- 35 RG5-7622-000CN Upper cable assembly (seven connectors) - Interconnects various upper level components to the DC controller board
- 36 RG5-7624-000CN Cable assembly (two connectors) - Connects between the waste toner sensor and the DC controller board
- 37 RH2-5524-000CN Flat flexible cable (FFC) - Connects between the laser/scanner assembly and the DC controller board

Clutch

- 38 RH7-5366-000CN Electromagnetic clutch assembly (24V) - Electrical clutch between the clutch drive gear and shaft - (CL1) Engages the registration roller assembly
- 39 RH7-5335-000CN Electromagnetic clutch assembly (24V) - Electrical clutch between the clutch drive gear and shaft - (CL2) Engages the roller within the imaging drum/transfer assembly from the main gear train

Connector

- 40 RH2-5519-000CN Connector assembly - For optional paper tray - Mounts to the bottom, right side of the middle frame assembly

Cover

- 41 RB3-0120-000CN Solenoid cover (Steel) - Cover for the multi-purpose tray pickup roller solenoid (SL92)

Drive Assembly

- 42 RG5-7592-000CN Rotary drive assembly - Includes the carousel rotating motor (DCM703), toner cartridge drive motor (PM705), developing rotary stopper solenoid (SL93), bracket, and gears - Mounts on the right top rear of the print engine

Fan

- 43 RH7-1537-000CN Cooling fan (Panaflo Model FBA08T24H - 80mm X 80mm X 15mm high, DC brushless, 24V DC, 190mA) - (FM712) Mounts in the airflow guide/fan bracket assembly on the left side of the printer

Laser/Scanner

- 44 RG5-6880-000CN Laser/scanner assembly - Mounts in the center of the scanner support assembly

Motor

- 45 RF5-4063-000CN Main motor assembly - Large motor mounted on a controller PC board - (DCM701) Mounts on the inside of the metal right side frame assembly
- 46 RH7-1613-000CN Fusing motor assembly - 24V DC motor mounted on a controller PC board - (DCM702) Fusing assembly drive motor - Mounts on the right side plate assembly (next to the DC controller board)
- 47 RG5-7593-000CN Rotary motor assembly - (DCM703) Rotates the four color toner cartridges in the carousel to position one of them for printing
- 48 RH7-1533-000CN Stepping motor - 24V DC - (PM704) Swings (or engages) the toner cartridge carousel in place to transfer toner - Mounts in the recess on the left side of the rear frame assembly
- 49 RH7-1535-000CN Stepping motor (24V) - (PM705) Used to drive the internal rollers and mechanisms in the toner cartridge when it has been rotated in the printing position on the carousel

PC Board

- 50 Q3703-67901 Formatter board assembly - Includes the formatter board, JetDirect print server board, and all the metal cage covers - Mounts towards the rear on the metal right frame assembly
- 51 RG5-6964-000CN Carousel position and toner level photoelectric sensor PC board - 'L' Shaped PC board with the two sensors - (PS51) Mounts on the left plate in the toner cartridge carousel
- 52 RG5-6966-000CN Top of page photoelectric sensor PC board - Includes the photoelectric top of page sensor and the print engine test switch - (PS71 and SW71) Mounts in the upper left corner of the front frame assembly
- 53 RG5-6967-000CN Registration sensor PC Board - Small board with flag activated photosensor - (PS711) Mounts in the registration assembly on the underside of the middle frame
- 54 RG5-7605-000CN DC controller board - Mounts on the left side of the printer (Behind the formatter board assembly)
- 55 RG5-7607-000CN Waste toner sensor assembly PC board - Detects excess level of waste toner in the imaging drum/transfer assembly cartridge - Mounts on the right side of the front frame assembly
- 56 RH7-7146-000CN Density photoelectric sensor PC board - (PS81) Mounts under the light blocking pad on the top of the front frame assembly

Electronics/Power Cords**PC Board**

- 57 WG8-5382-000CN Sensor PC board - Small board with flag activated photosensor - (PS718) Paper sensor for the multi-purpose tray - Mounts in the lower right of the front frame assembly

Plate

- 58 RB2-9916-000CN Mounting/grounding plate - For the engaging motor (PM704) - Mounts in the recess on the upper left side of the rear frame assembly
- 59 RB3-0057-000CN Transfer slide plate - Small 'U' shaped metal insert plates - Mount in the bushing wells for the transfer roller on the middle frame assembly (two used)
- 60 RB3-0065-000CN Contact plate - copper clad metal spring - Holds the left end of the small 500 Meg-ohm resistor
- 61 RB3-0066-000CN Contact plate - copper clad metal spring - Holds the right end of the small 500 Meg-ohm resistor - Mounts on the left side of the middle frame below the entrance guide assembly
- 62 RB3-0286-000CN Contact plate - Runs between the shaft on the registration roller and the metal entrance guide assembly
- 63 RB3-1113-000CN Grounding plate - Small plate with grounding finger - Grounds the end of the carousel drive shaft - Mounts towards the top on the left side plate assembly

Power Cord

- 8120-6800 Power cord (Flint Gray) - 16 AWG, 2.3m (7.5ft) long - Has straight (F) receptacle (For 240V in Israel)
- 8120-6809 Power cord (Dove Gray) - 2.3m (7.5ft) long - Has straight (F) receptacle (For 240V operation in the United Kingdom, Hong Kong, Singapore, Malaysia)
- 8120-6810 Power cord (Flint Gray) - 2.3m (7.5ft) long - Has straight (F) receptacle (For 240V operation in Australia, New Zealand)
- 8120-6811 Power cord (Flint Gray) - 17 AWG, 2.3m (7.5ft) long - Has straight (F) receptacle (For 220V in Europe, Saudi Arabia, South Africa, India, and Korea)
- 8120-6812 Power cord (Flint Gray) - 18 AWG, 2.3m (7.5ft) long - Has straight (F) receptacle (For 120V in the USA, Canada, Mexico, Philippines, and Taiwan)
- 8120-6813 Power cord (Flint Gray) - 17 AWG, 2.3m (7.5ft) long - Has straight (F) receptacle (For 220V in South Africa, Saudi Arabia, and India)
- 8120-6814 Power cord (Flint Gray) - 17 AWG, 2.3m (7.5ft) long - Has straight (F) receptacle (For 220V in Denmark)
- 8120-6815 Power cord (Flint Gray) - 17 AWG, 2.3m (7.5ft) long - Has straight (F) receptacle (For 220V in Switzerland)

Power Supply

- 72 RG5-7124-000CN Sub-high voltage board - Small auxiliary PC board - Mounts in a holder just above the high voltage board
- 73 RG5-7606-000CN High voltage power supply board (HYT) assembly - Has contacts for the eight high voltage springs in the printer - Mounts in the bottom pan (Towards the front of the printer)
- 74 RH3-2254-000CN Low voltage power supply - For 110V to 127V AC operation - Includes the AC power input connector and power switch - Mounts in the bottom pan towards the rear of the printer
- 75 RH3-2255-000CN Low voltage power supply - For 230V to 240V AC operation - Includes the AC power input connector and power switch - Mounts in the bottom pan towards the rear of the printer

Reader

- 76 RG5-6956-000CN E-label reader (contact board ONLY) - Connects the cartridge nonvolatile memory to the DC controller board - For the imaging drum/carousel assembly - Mounts to the front frame assembly
- 77 RG5-6957-000CN E-label reader assembly - Connects cartridge nonvolatile memory to the DC controller board - For the toner cartridges - Mounts on top of the toner cartridge carousel assembly

Resistor

- 78 RH5-3115-000CN 500 Meg-ohm, 300mW - Mounts on the left side of the middle frame below the entrance guide assembly - Held in place with two small contact plates

Sideplate

- 79 RG5-6942-000CN Left side carousel plate assembly - End plate under the rotational toner cartridge carousel - Includes all of the high voltage contacts for the toner cartridges - Mounts on the metal carousel support frame
- 80 RG5-7579-000CN Main drive (right side plate) assembly - Includes the right side plate front assembly (with main motor, clutch, and gears) and the right side plate rear assembly (with drive gears) - Mounts on the right side

Solenoid

- 81 RH7-5338-000CN Solenoid assembly - (SL92) Lever on the solenoid disengages the stop on the drive gear on the paper pick-up roller for the multi-purpose input tray (tray 1)
- 82 RH7-5340-000CN Solenoid assembly - (SL93) Engages to stop rotation when the proper toner cartridge on the carousel is in place for printing

Electronics/Power Cords**Spring**

- 83 RB3-0016-000CN Electrical contact spring - Spring steel wire with compression springs formed on both ends - One end provides upward pressure on the right bushing for the transfer roller - Connects to high voltage board
- 84 RB3-0042-000CN Electrical contact spring
- 85 RB3-0043-000CN Electrical contact spring - Mounts on the middle frame assembly behind the transfer roller - Of the four similar springs, this one is on the far right - Connects to high voltage board
- 86 RB3-0044-000CN Electrical contact spring - (Front) Provides high voltage to the toner cartridge via a cable assembly and connection through the carousel plate assembly - Connects to the high voltage board
- 87 RB3-0045-000CN Electrical contact spring - (Rear) Provides high voltage to the toner cartridge via a cable assembly and connection through the carousel plate assembly - Connects to the high voltage board
- 88 RB3-0046-000CN Electrical contact spring - Mounts on the middle frame assembly behind the transfer roller - Of the four similar springs, this one is just to the left of the one on the far right - Connects to high voltage board
- 89 RB3-0047-000CN Electrical contact spring - Mounts on the underside of the middle frame assembly - Connects to high voltage board
- 90 RB3-0048-000CN Electrical contact spring - Mounts on the middle frame assembly behind the transfer roller - Of the four similar springs, this one is on the far left - Connects to the high voltage board

Switch

- 91 RH7-6051-000CN Microswitch with lever activator - (SW2) Senses when the top cover is open - Mounts in a holder on the scanner support assembly

Thermistor

- 92 RH7-7149-000CN Thermistor - (TH3) For detecting internal temperature - Mounts to the right side frame assembly just above the DC controller board

External Case Parts**Arm**

- 93 RB3-0089-000CN Top cover rack arm (Black) - Plastic arm with teeth on bottom edge - Disengages the imaging drum/transfer assembly drive cams when the top door is open - Mounts on the right side of the top cover door

Control Panel

- 94 RG5-7570-000CN Control panel assembly (mechanical only) - Includes the 'Rotate Carousel', 'Cancel Job' and the 'Go' buttons, plus the various indicator light pipes - All switches and LEDs are on the formatter PC board - Mounts to the top of the right cover assembly

Cover

- 95 RB3-1108-000CN Front inner cover (Graphite Black plastic) - Mounts on the front frame above the multi-purpose input tray
- 96 RB3-1112-000CN Interface bezel (Alloy Gray plastic) - Vertical cover that surrounds the interface connectors - Mounts on the right rear of the printer
- 97 RB9-0880-000CN Upper rear cover (Alloy Gray plastic) - Mounts on the upper rear of the printer above the face-up output tray door
- 98 RB9-0881-000CN Face-down paper output cover (U-shaped Graphite Black plastic) - Serves as the rear of the tray for the face-down output tray on top of the printer - Mounts in the upper rear of the printer mechanism (the top cover assembly holds it in place)
- 99 RB9-0897-000CN Front lower cover (Graphite Black plastic) - Front lower strip below the multi-purpose input tray - Has recessed area for the printer logo
- 100 RG5-7567-000CN Top cover assembly (Graphite Black plastic) - Includes the molded-in face-down output tray and the lift-up top cover door assembly
- 101 RG5-7569-000CN Right side cover assembly (Light Gray plastic) - Includes the DIMM memory door - Mounts on the right side of the printer
- 102 RG5-7571-000CN Left side cover assembly (Alloy Gray plastic) - Includes the power switch button, rod and spring (The power switch is located on the low voltage power supply board) - Mounts on the left side of the printer
- 103 RB9-0886-000CN Left side cover ONLY (Alloy Gray plastic) - Does not include any attaching parts - Mounts on left side of printer

Door

- 104 RB9-0884-000CN DIMM memory door (Alloy Gray perforated plastic) - Access door for adding or removing printer memory or font DIMM - Mounts on the right side cover
- 105 RF5-4069-000CN Top cover door (Graphite Black plastic) - For accessing the toner cartridges and the imaging drum/transfer assembly - Mounts to the top cover frame

Foot

- 106 RB2-6297-000CN Rubber foot - Square self-adhesive rubber foot - Mounts on the rear of the middle frame assembly - Printer foot (two used)

External Case Parts

Holder

107 RB3-0006-000CN Holder - Housing for the fusing connector assembly - Mounts on the bottom pan of the printer

Label

108 RS6-8662-000CN Image cartridge label - Shows the imaging drum/transfer assembly removal steps - Mounts on the right side of the front inner cover (Visible when the top cover is lifted)

Nameplate/Logo

109 Q3704-67902 LaserJet 2550n nameplate - Mounts in the recessed area on the front lower cover

Rod

110 RB3-0037-000CN Power switch rod - Goes between the power button and the power switch on the low voltage power supply board - Mounts on the left side cover

Screw

111 XA9-1291-000CN M3 pan-head phillips screw with flat washer - 8mm long - Secures the side covers to the printer mechanism and one is used to secure the fusing assembly connector holder to the bottom pan

Spring

112 RS6-2759-000CN Power switch spring - Provides tension for power switch button - Mounts on the left side cover

Other Accessories

Cartridge

113 Q3960A HP Color LaserJet smart Black print cartridge - Will print approximately 5,000 pages based on a 5% print density

114 Q3961A HP Color LaserJet smart Cyan print cartridge - Will print approximately 4,000 pages based on a 5% print density

115 Q3962A HP Color LaserJet smart Yellow print cartridge - Will print approximately 4,000 pages based on a 5% print density

116 Q3963A HP Color LaserJet smart Magenta print cartridge - Will print approximately 4,000 pages based on a 5% print density

117 Q3971A HP Color LaserJet smart Cyan print cartridge - Will print approximately 2,000 pages based on a 5% print density

118 Q3972A HP Color LaserJet smart Yellow print cartridge - Will print approximately 2,000 pages based on a 5% print density

119 Q3973A HP Color LaserJet smart Magenta print cartridge - Will print approximately 2,000 pages based on a 5% print density

120 Q3960-67901 HP Color LaserJet smart Black print cartridge - Will print approximately 5,000 pages based on a 5% print density - For CREW fulfillment World Wide EXCEPT Europe

121 Q3961-67901 HP Color LaserJet smart Cyan print cartridge - Will print approximately 4,000 pages based on a 5% print density - For CREW fulfillment World Wide EXCEPT Europe

122 Q3962-67901 HP Color LaserJet smart Yellow print cartridge - Will print approximately 4,000 pages based on a 5% print density - For CREW fulfillment World Wide EXCEPT Europe

123 Q3963-67901 HP Color LaserJet smart Magenta print cartridge - Will print approximately 4,000 pages based on a 5% print density - For CREW fulfillment World Wide EXCEPT Europe

124 Q3960-67902 HP Color LaserJet smart Black print cartridge - Will print approximately 5,000 pages based on a 5% print density - For CREW fulfillment in Europe

125 Q3961-67902 HP Color LaserJet smart Cyan print cartridge - Will print approximately 4,000 pages based on a 5% print density - For CREW fulfillment in Europe

126 Q3962-67902 HP Color LaserJet smart Yellow print cartridge - Will print approximately 4,000 pages based on a 5% print density - For CREW fulfillment in Europe

127 Q3963-67902 HP Color LaserJet smart Magenta print cartridge - Will print approximately 4,000 pages based on a 5% print density - For CREW fulfillment in Europe

128 Q3971-67901 HP Color LaserJet smart Cyan print cartridge - Will print approximately 2,000 pages at based on a 5% print density - For CREW fulfillment World Wide EXCEPT Europe

129 Q3972-67901 HP Color LaserJet smart Yellow print cartridge - Will print approximately 2,000 pages based on a 5% print density - For CREW fulfillment World Wide EXCEPT Europe

130 Q3973-67901 HP Color LaserJet smart Magenta print cartridge - Will print approximately 2,000 pages based on a 5% print density - For CREW fulfillment World Wide EXCEPT Europe

131 Q3971-67902 HP Color LaserJet smart Cyan print cartridge - Will print approximately 2,000 pages based on a 5% print density - For CREW fulfillment in Europe

132 Q3972-67902 HP Color LaserJet smart Yellow print cartridge - Will print approximately 2,000 pages based on a 5% print density - For CREW fulfillment in Europe

133 Q3973-67902 HP Color LaserJet smart Magenta print cartridge - Will print approximately 2,000 pages based on a 5% print density - For CREW fulfillment in Europe

Other Accessories

Cleaning Supplies

5090-3379 Toner cleaning cloth - Specially treated cloth for absorbing toner (1 per package) - Ideal for cleaning up toner spills

Drum

135 Q3964-67901 Imaging drum/transfer assembly cartridge - Inserts into printer through the top door - Life expectancy is 20,000 pages for black print ONLY, 5,000 pages for color (typical combined life is approximately 8,000 to 10,000 pages) - For CREW fulfillment

136 Q3964A Imaging drum/transfer assembly cartridge - Inserts into printer through the top door - Life expectancy is 20,000 pages for black print only, 5,000 pages for color (typical combined life is approximately 8,000 to 10,000 pages)

Manual

5851-1468 LaserJet printer family paper specification guide

Tray

Q3710A Optional 500 sheet paper input tray - Includes tray base which attaches to tray 2, and the slide out paper tray - Accommodates 216mm x 279mm (8.5 x 11 inches) or 210mm x 279mm (8.3 x 11 inches) media - Optional 250 sheet tray must be installed first

Tray Kit

C9706-67901 Multi-purpose tray (tray 1) service kit - Includes one paper pick up roller and one separation pad assembly

C9706-67902 Multi-purpose tray (tray 1) service kit with extra separation pads - Includes one paper pick up roller and three separation pad assembly

Other Internal Parts

Airflow Guide

141 RB2-9904-000CN Airflow Guide (duct) - Black plastic insert piece which runs the width of the printer and has an air flow hole on right side - Directs air flow from the fan on the left side of the printer to the fusing assembly - Snap locks in center rear of printer

142 RB9-0901-000CN Airflow guide (duct) / fan holder bracket assembly (Andy Gray plastic) - Mounts on the left metal side frame assembly

Bushing

143 RB2-9809-000CN Bushing/shaft retainer assembly (White plastic) - Holds the rotation drive shaft in the left side plate of the toner cartridge carousel (rotary) assembly

144 RB9-0879-000CN Bushing/shaft retainer assembly (Black plastic) - Holds the rotation drive shaft in the right side plate of the toner cartridge carousel (rotary) assembly

145 RS5-1635-000CN Shaft bushing - Mounts on the plate of the multi-purpose paper pick-up gear assembly

146 RS5-1637-000CN Bushing (black plastic) - mounts on the left end of the registration roller assembly

147 RS5-1638-000CN Bushing - For the registration roller gear drive shaft - Mounts on the right side of the front frame assembly

Carousel

148 RG5-7587-000CN Carousel (rotary) assembly - includes the carousel assembly, the support assembly, end plates, drive gears and shaft, sensors, and cables - Mounts towards the rear of the printer in front of the rear frame assembly

Clamp

149 WT2-5700-000CN Cable clamp - Mounts on the upper right side of the front frame assembly and the lower left side of the middle frame assembly (two used)

Clip

150 WT2-5056-000CN Cable clip - Mounts in the opening on the cover for the paper pick-up solenoid

151 WT2-5737-000CN Cable clip - One mounts on the left side of the middle frame and two on the base assembly pan (three used)

XD2-1100-322CN Retainer E-ring clip - Secures the clutch (CL1) on the paper pickup shaft

153 XD2-1100-502CN E-ring clip - Secures the dual gear to the drive shaft which drives the registration roller - Located on the inside of the front frame assembly

Cover

154 RB3-0052-000CN Gear Cover (Small Black plastic cover) - Protects the idler gear for the transfer roller - Mounts toward the left side of the middle frame assembly

155 RB3-0104-000CN Roller cover - Covers the multi-purpose paper pick-up roller assembly - Mounts in the lower portion of the front frame assembly

Other Internal Parts
Damper

- 156 RB2-6248-000CN Damper assembly (Gray plastic piece with small 13 tooth gear on it) - Helps to reduce clunking when the paper pick-up roller is engaged - engages the paper pick-up roller

Drive Assembly

- 157 RG5-7592-000CN Rotary drive assembly - Includes the carousel rotating motor (DCM703), toner cartridge drive motor (PM705), developing rotary stopper solenoid (SL93), bracket, and gears - Mounts on the right top rear of the print engine

Flag

- 158 RB2-9925-000CN Sensor arm and flag - Activates the photosensor (Does NOT include the roller)
- 159 RB3-0135-000CN Test print flag (Black lever) - Used to activate the print engine test switch - Mounts in a metal holder in the upper left of the front frame assembly

Gear

- 160 RB3-0022-000CN 22 tooth gear (Black plastic) - Small gear with diagonally cut teeth - Idler gear between the transfer roller assembly and the feed drive shaft - Mounts on the left side of the middle frame assembly
- 161 RB3-0091-000CN 16 tooth gear (Black plastic) - Gear with large stop tooth and shaft lock tab - Used as part of the mechanism to disengage the drive cams for the imaging drum/transfer assembly - Mounts on the inside of the right side metal chassis assembly
- 162 RB3-0092-000CN 15 tooth gear with drive shaft (Black plastic) - Used as part of the mechanism to disengage the drive cams for the imaging drum/transfer assembly - Mounts on the right side metal chassis frame
- 163 RS7-0418-000CN 26 tooth gear (Black plastic) - Has 1/8th portion of gear cut away - Mounts on the end of the paper pick-up roller for the multi-purpose input tray (tray 1)
- 164 RS7-0424-000CN Dual gear - 20 tooth / 40 tooth - Mounts on the right side of the front frame assembly
- 165 RS7-0425-000CN 30 tooth gear (White plastic) - Part of the drive gears for the registration roller - Mounts on inside of the front frame assembly on the right side
- 166 RS7-0426-000CN Dual gear - 26 tooth / 50 tooth (White plastic) - Part of the drive gears for the registration roller - Mounts on inside of the front frame assembly on the right side
- 167 RS7-0428-000CN 30 tooth gear (White plastic) - Mounts on the end of the registration roller drive shaft
- 168 RS7-0429-000CN 26 tooth gear (White plastic) - Has recess for shaft drive pin - Mounts on the right side of the front frame assembly
- 169 RS7-0435-000CN Dual gear - 32 tooth / 37 tooth (White plastic) - Drives the upper top bin output roller - Mounts on the right side of the rear frame assembly
- 170 RS7-0436-000CN Dual gear - 37 tooth / 43 tooth (White plastic) - Part of the gear train for driving the upper top bin output roller - Mounts on the right side of the rear frame assembly
- 171 RS7-0437-000CN 51 tooth gear (White plastic) - Main drive gear for both the upper and lower top bin output rollers
- 172 RS7-0570-000CN 81 tooth gear - Mounts on a pin on the right side plate front assembly (between the gear retaining bracket and the right side plate)
- 173 RS7-0571-000CN Dual gear - 23 tooth / 54 tooth - Small gear that mounts toward the front on a short shaft between the gear retainer bracket and the right side plate front assembly
- 174 RS7-0572-000CN Dual gear - 31 tooth / 90 tooth - Mounts on a pin on the right side plate front assembly (between the gear retaining bracket and the right side plate)
- 175 RS7-0573-000CN 186 tooth gear - Upper most large gear that mounts on a short shaft between the gear retainer bracket and the right side plate front assembly
- 176 RS7-0574-000CN Dual gear - 32 tooth / 123 tooth - Large gear which mounts toward the front on the right side plate front assembly

Gear Assembly

- 177 RG5-6938-000CN Gear assembly - Metal plate with two White plastic gears attached - Part of the drive gears for the paper pick-up roller for the multi-purpose input tray (tray 1) - Mounts on the right side of the front frame assembly

Guide

- 178 RB2-9852-000CN Rotary release guide - Small plastic clip that allows for manual carousel rotation (with a straightened paper clip) for removing toner cartridges without power - Mounts in the top front of the rotary drive assembly
- 179 RB2-9903-000CN Cable guide (Quartz Gray plastic) - Protects and supports the upper cable assembly - Mounts to the right rear on the laser/scanner support assembly
- 180 RB2-9954-000CN Left paper feed guide (small Black plastic arm) - Mounts to the left of the separation pad assembly on the lower front frame assembly
- 181 RB2-9955-000CN Right paper feed guide (small Black plastic arm) - Mounts to the right of the separation pad assembly on the lower front frame assembly
- 182 RF5-4065-000CN Entrance guide assembly - Mounts in front of the transfer roller assembly (behind the transfer inlet guide)
- 183 RG5-6935-000CN Left cartridge guide assembly - For the imaging drum/transfer assembly - Mounts on the left metal side frame

Other Internal Parts

Holder

- 184 RB2-9924-000CN Sensor assembly mounting holder - For mounting the leading edge paper sensor for the fusing assembly (PS720) - Mounts to the underside of the middle frame assembly
- 185 RB3-0023-000CN Interlock switch holder (Quartz Gray plastic) - Mounts to the laser/scanner support assembly - Towards the left rear of the printer

Insulator

- 186 RB3-0007-000CN Insulating sheet (Transparent plastic) - Mounts between the bottom pan and the high and low voltage power supply boards

Label

- 187 RS6-8668-000CN High voltage caution label - Mounts on the airflow guide / fan bracket assembly

Pad

- 188 RF5-4047-000CN Light blocking pad assembly - Black plastic frame with soft rubber gasket and stiff conductive Mylar piece (grounded) - Mounts to the top center of the front frame assembly

Plate

- 189 RB2-9916-000CN Mounting/grounding plate - For the engaging motor (PM704) - Mounts in the recess on the upper left side of the rear frame assembly
- 190 RB3-1113-000CN Grounding plate - Small plate with grounding finger - Grounds the end of the carousel drive shaft - Mounts towards the top on the left side plate assembly

Pressure Assembly

- 191 RG5-7589-000CN Carousel pressure (support) assembly - Includes the main rear support, E-label reader assembly, engaging sensor, and the engaging rod shaft - Primary support structure for the toner cartridge carousel

Rack Slide

- 192 RB3-0090-000CN Rack slide - White plastic piece with gear teeth layed out in rack form on both sides - Part of the mechanism that disengages the imaging drum/transfer assembly cams when the top cover is opened - Mounts vertically on the metal right side frame

Roller Assembly

- 193 RG5-7595-000CN Lower top bin output roller assembly - Includes the shaft with four rubber rollers, two bushing/shaft retainers, and the drive gear - Mounts in the center on the rear frame assembly (above the fusing assembly)

Screw

- 194 XA9-0849-000CN M3 truss-head phillips screw with machine threads - 6mm long - Primarily used to secure metal to metal parts
- 195 XA9-0890-000CN M3 truss-head phillips screw with machine threads - 6mm long - Primarily used to secure metal to metal parts
- 196 XA9-1262-000CN M4 pan-head phillips screw with self-tapping threads - 10mm long - Used primarily to secure metal parts to the internal plastic frames
- 197 XA9-1328-000CN M3 pan-head phillips screw - 10mm long - Used to secure the fusing assembly drive motor to the right side plate
- 198 XA9-1355-000CN M3 pan-head phillips screw with machine threads - 8mm long - Used to secure the thermistor to the right side plate and the power supply PCB bearing the the base assembly pan

Shaft

- 199 RB3-0060-000CN Idler gear shaft - Short metal rod - Shaft for the transfer and feed drive idler roller - Mounts on the left side of the middle frame assembly

Shield

- 200 RB2-9932-000CN RFI shield - Parallel wire form mounted over the fan - Mounts on the fan air duct assembly on the left side of the printer

Shutter

- 201 RG5-6940-000CN Registration shutter assembly - Includes the metal roller, mounting frame, grounding springs, and the dual coupling gear - Mounts over the registration roller at the front of the middle frame assembly

Sideplate

- 202 RG5-7580-000CN Right side plate rear assembly - Includes the rear half of the metal right side plate and the two associated gears - Mounts on rear half of right side of printer
- 203 RG5-7581-000CN Right side plate front assembly - Includes the front half of the metal frame assembly, gears, imaging drum/transfer assembly drive cams, cover engaging mechanism, roller engaging clutch (CL2), and main drive motor (DCM701) - Mounts on the right side

Other Internal Parts

Spring

- 204 RB3-0121-000CN Right retaining spring - Helps to secure and ground the imaging drum/transfer assembly in the printer - Mounts on the upper right side of the front frame assembly
- 205 RB3-0122-000CN Left retaining spring - Helps to secure the imaging drum/transfer assembly in the printer - Mounts on the upper left side of the front frame assembly
- 206 RS6-2030-000CN Tension spring - Provides support tension for the multi-purpose front input tray guide assembly (two used)
- 207 RS6-2766-000CN Tension spring - Provides a small amount of return tension for the sensor flag arm on the leading edge sensor for the fusing assembly (PS720)

Standoff

- 208 VT2-0012-005CN PC Board support - Plastic standoff for supporting a PC board - Supports the high voltage board on the base assembly metal pan (six used)

Support

- 209 RB3-0062-000CN PC board support (Black plastic holder) - For mounting the small sub-high voltage board above the high voltage board
- 210 RG5-6907-000CN Laser/scanner support assembly (sheet metal plate) - Crossmember between the two side frames - Support for the laser/scanner assembly, the toner cartridge carousel drive motor, and the cover interlock switch assembly

Tray

- 211 RB3-0019-000CN Toner catch tray (curved Black plastic piece) - Holds residual toner from photosensitive drum - Mounts just below the toner cartridge carousel on the bottom frame assembly

Paper Input Tray Parts

Guide

- 212 RG5-7584-000CN Paper guide assembly - Paper width adjustable guide assembly for the multi-purpose front input tray (tray 1) - Mounts with the two hinges on the lower portion of the front frame assembly

Hinge

- 213 RB9-0889-000CN Tray hinge - For the left side of the multi-purpose front input tray (tray 1) - Mounts in the lower portion of the front frame assembly
- 214 RB9-0890-000CN Tray hinge - For the right side of the multi-purpose front input tray (tray 1) - Mounts in the lower portion of the front frame assembly

Tray

- Q3709-67901 Replacement 250 sheet paper input tray - Includes tray base which attaches to printer, and the slide out paper tray - Accommodates 148mm x 210mm (5.8 x 8.3 inches) to 216mm x 356mm (8.5 x 14 inches) media - Only one 250 sheet tray supported per printer

Tray Assembly

- 216 RG5-7585-000CN Multi-purpose front input tray assembly (tray 1) - Includes the front cover piece, pull-out paper support, and the flip-out extender - Mounts on front of printer (on the front frame assembly)

Tray Kit

- C9706-67901 Multi-purpose tray (tray 1) service kit - Includes one paper pick up roller and one separation pad assembly

Paper Path Parts

Belt

- 218 RB1-8668-030CN Feed guide drive belt - Small belt approximately 5/16 inch wide with 'A' shaped ribs on it - Between the feed drive roller and the small center roller - Driven via the transfer roller gear train
- 219 RB3-0063-000CN Feed belt - Small black rubber belt approximately 1/8 inch wide with little 'A' shaped ribs on it - Goes between the feed drive roller and the pulley rollers (eight used)

Bushing

- 220 RB2-3043-000CN Left roller bushing - Acts as the bearing and retainer for the left end of the paper pick-up roller assembly (tray 1) - Mounts on the left side of the front frame assembly
- 221 RB2-3044-000CN Right roller bushing - Acts as the bearing and retainer for the right end of the paper pick-up roller assembly (tray 1) - Mounts on the right side of the front frame assembly
- 222 RB3-1094-000CN Bushing assembly (Black plastic bushing with small guide roller on top) - Holds the right end of the transfer roller assembly in the middle frame assembly

Flag

- 223 RB3-0111-000CN Paper flag - Plastic rod with paper sensing flag on one end and sensor activator flag on the other - Senses paper coming from the multi-purpose front input tray (tray 1)

Paper Path Parts

Fusing Assembly

- 224 RG5-7572-000CN Fusing assembly - For 110V to 127V AC operation - Bonds the toner to the paper with heat - Slides in and locks in lower rear of printer
- 225 RG5-7573-000CN Fusing assembly - For 220V to 240V AC operation - Bonds the toner to the paper with heat - Slides in and locks in lower rear of printer

Guide

- 226 RB2-9954-000CN Left paper feed guide (small Black plastic arm) - Mounts to the left of the separation pad assembly on the lower front frame assembly
- 227 RB3-1088-000CN Transfer inlet guide assembly - Angled metal guide between the registration roller and the transfer roller - Mounts to the middle frame assembly

Pad

- 228 RF5-4012-000CN Separation pad assembly - Includes the separation pad, holder and spring - Mounts below the multi-purpose front input (tray 1) pick-up roller assembly

Plate

- 229 RB3-0010-000CN Feed plate - Center metal plate with slots that the ribs on the middle frame assembly go through - Mounts behind the transfer roller on the middle frame assembly

Pulley

- 230 RB3-0061-000CN Pulley roller (accommodates three feed belts) - Small black roller approximately 3.49cm (1.75-inches) long with three ball type pulleys - Mounts just behind the transfer roller in the middle frame assembly (two used)
- 231 RB3-0067-000CN Pulley roller (accommodates one feed belt) - Small black roller approximately 1.59cm (0.625-inch) long with one ball type pulley - Mounts just behind the transfer roller in the middle frame assembly (two used)

Roller

- 232 RB2-7195-000CN Sensor flag roller (small White plastic roller) - Mounts in the sensor arm flag for the leading edge paper sensor for the fusing assembly (PS720)
- 233 RB2-9909-000CN Pressure roller (small Black hard plastic 'solid' roller) - Rides up against the lower top bin output roller on the middle rear of the printer (two used)
- 234 RB3-0012-000CN Belt roller - Small oval shaped roller approximately 1-3/4 inches long - Mounts toward the center of the metal feed plate on the middle frame assembly
- 235 RB3-0160-000CN Paper pick up roller (D-shaped) - Mounts on the paper pick up roller assembly for the multi-purpose front input tray (tray 1)

Roller Assembly

- 236 RF5-4067-000CN Transfer roller assembly - Long Black foam type roller - Transfers static charge to paper - Mounts towards the front and on top of the middle frame assembly
- 237 RG5-6897-000CN Upper top bin output roller assembly - Includes the shaft with four rubber rollers, two bushing/shaft retainers, two anti-reversing flaps, and the drive gear - Mounts on the top rear of the printer
- 238 RG5-6939-000CN Registration roller assembly - Includes the roller, bushings, mounting plate, paper sensor, and the sensor flag - Mounts from the bottom toward the front center of the middle frame assembly
- 239 RG5-6952-000CN Paper pick-up roller assembly - Includes the shaft, guide assembly cams, the D-shaped roller, and roller retainers - Picks paper from the multi-purpose front input tray (tray 1) - Mounts in the lower portion of the front frame assembly

Shaft

- 240 RB3-0011-000CN Feed drive shaft - Long shaft with eight feed belt ball type pulleys and one ribbed feed guide drive belt pulley - Mounts behind the transfer roller on the middle frame assembly

Shutter

- 241 RG5-6940-000CN Registration shutter assembly - Includes the metal roller, mounting frame, grounding springs, and the dual coupling gear - Mounts over the registration roller at the front of the middle frame assembly

Spring

- 242 RB2-9905-000CN Torsion spring - Provides pressure for the upper top bin output pressure rollers (two used)
- 243 RB2-9952-000CN Tray 1 flag spring - Provides torsion for the tray 1 paper sensor flag - Mounts in the lower portion of the front frame assembly
- 244 RB2-9999-000CN Torsion spring - Secures the belt roller (for the feed drive shaft) in the top of the middle frame assembly
- 245 RB3-0015-000CN Compression spring - Provides upward pressure for the left bushing on the transfer roller assembly
- 246 RB3-1065-000CN Torsion spring - Provides pressure for the lower top bin output pressure rollers (two used)

Paper Path Parts**Static Dissipater**

- 247 RB3-0009-000CN Static eliminator ground plate - Right angled metal piece with small teeth on top edge - Mounts from underneath on the middle frame assembly just behind the pulley rollers

Paper/Transparency/Labels**Film (Transparency)**

- C2934A Color LaserJet transparency film - A size (8.5 x 11-inches) - 50 sheets per box
C2936A Color LaserJet transparency film - A4 size (21.0cm x 29.7cm) - 50 sheets per box

Labels

- Q2550A White full-sheet labels - A size (8.5 x 11-inches) - 25 sheets
Q2551A White full-sheet labels - A size (8.5 x 11-inches) - 100 sheets
Q2587A White labels - 2.54cm (1in) x 6.67cm (2.63in) labels - 25 sheets
Q2588A White labels - 2.54cm (1in) x 6.67cm (2.63in) labels - 100 sheets
Q2589A White address labels - 3.39cm (1.33in) x 10.2cm (4in) labels - 25 sheets
Q2590A White address labels - 3.39cm (1.33in) x 10.2cm (4in) labels - 100 sheets
Q2591A White shipping labels - 5.08cm (2in) x 10.2cm (4in) labels - 25 sheets
Q2592A White shipping labels - 5.08cm (2in) x 10.2cm (4in) labels - 100 sheets
Q2593A White address labels - 1.27cm (0.5in) x 4.45cm (1.75in) labels - 25 sheets
Q2594A White address labels - 8.47cm (3.33in) x 10.2cm (4in) labels - 100 sheets

Paper

- Q1298A LaserJet Satin finish tough paper - A size (8.5 x 11-inches) - Will not tear and will withstand outdoor weather conditions - Can print on both sides
Q1298B LaserJet Satin finish tough paper - A4 size (21.0cm x 29.7cm) - Will not tear and will withstand outdoor weather conditions - Can print on both sides - 50 sheets per box
Q2413A Premium LaserJet cover paper - Heavyweight (75lb), smooth finish on both sides, 96 brightness - A size (8.5 x 11-inches) - 100 sheets per box

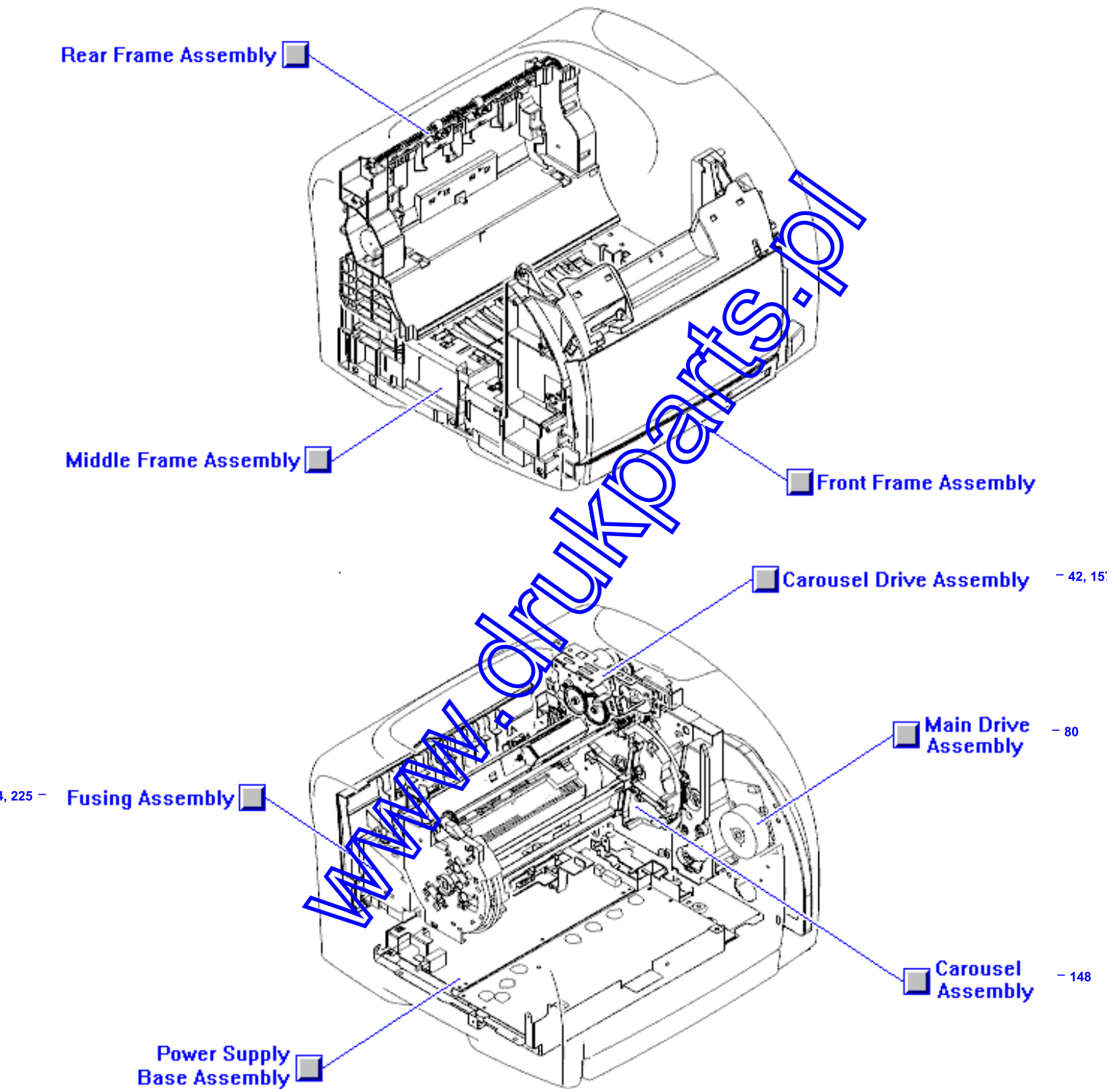
Paper (Glossy)

- Q2415A Soft gloss LaserJet paper - Soft gloss finish on both sides, 95 brightness - A size (8.5 x 11-inches) - 500 sheets per box
Q2417A Soft gloss LaserJet paper - Soft gloss finish on both sides, 95 brightness - A4 size (21.0cm x 29.7cm) - 250 sheets per box
Q6541A Soft gloss, bright white LaserJet paper - A size (8.5 x 11-inches) - 200 sheets per box
Q6542A Soft gloss, bright white LaserJet paper - A4 size (21.0cm x 29.7cm) - 200 sheets per box
Q6545A Glossy LaserJet paper - Gloss finish on both sides, 95 brightness - A size (8.5 x 11-inches) - 200 sheets per box
Q6547A Glossy LaserJet paper - Gloss finish on both sides, 95 brightness - A4 size (21.0cm x 29.7cm) - 200 sheets per box

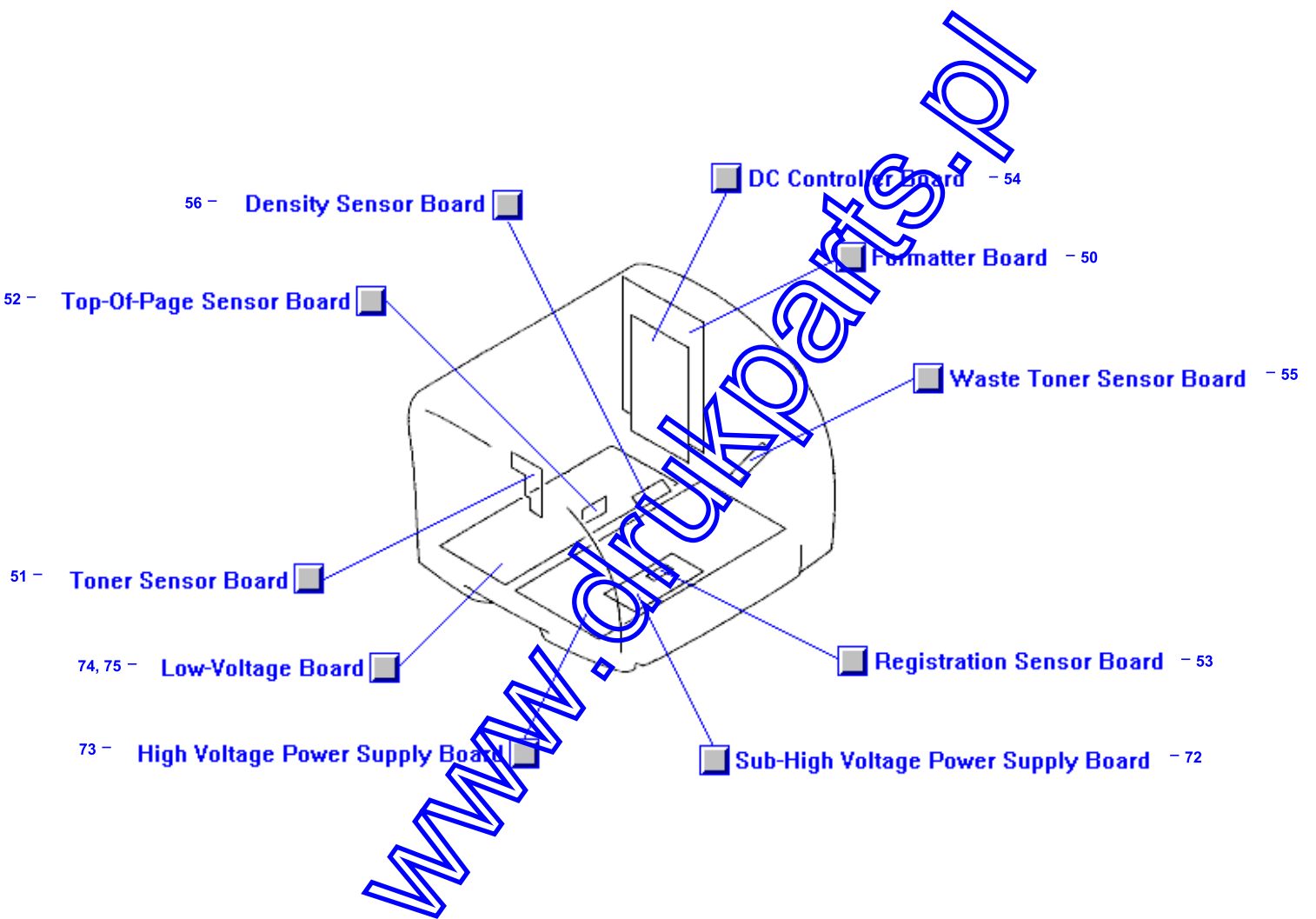
Paper (Matte)

- Q6543A Matte brochure (Heavyweight) laser paper - A size (8.5 x 11-inches) - 150 sheets per box
Q6544A Matte brochure (Heavyweight) laser paper - A4 size (21.0cm x 29.7cm) - 150 sheets per box
Q6549A Photo and imaging LaserJet paper - Matte finish on both sides, 96 brightness - A size (8.5 x 11-inches) - 100 sheets per box
Q6550A Photo and imaging LaserJet paper - Matte finish on both sides, 96 brightness - A4 size (21.0cm x 29.7cm) - 100 sheets per box

Main Assembly Locator

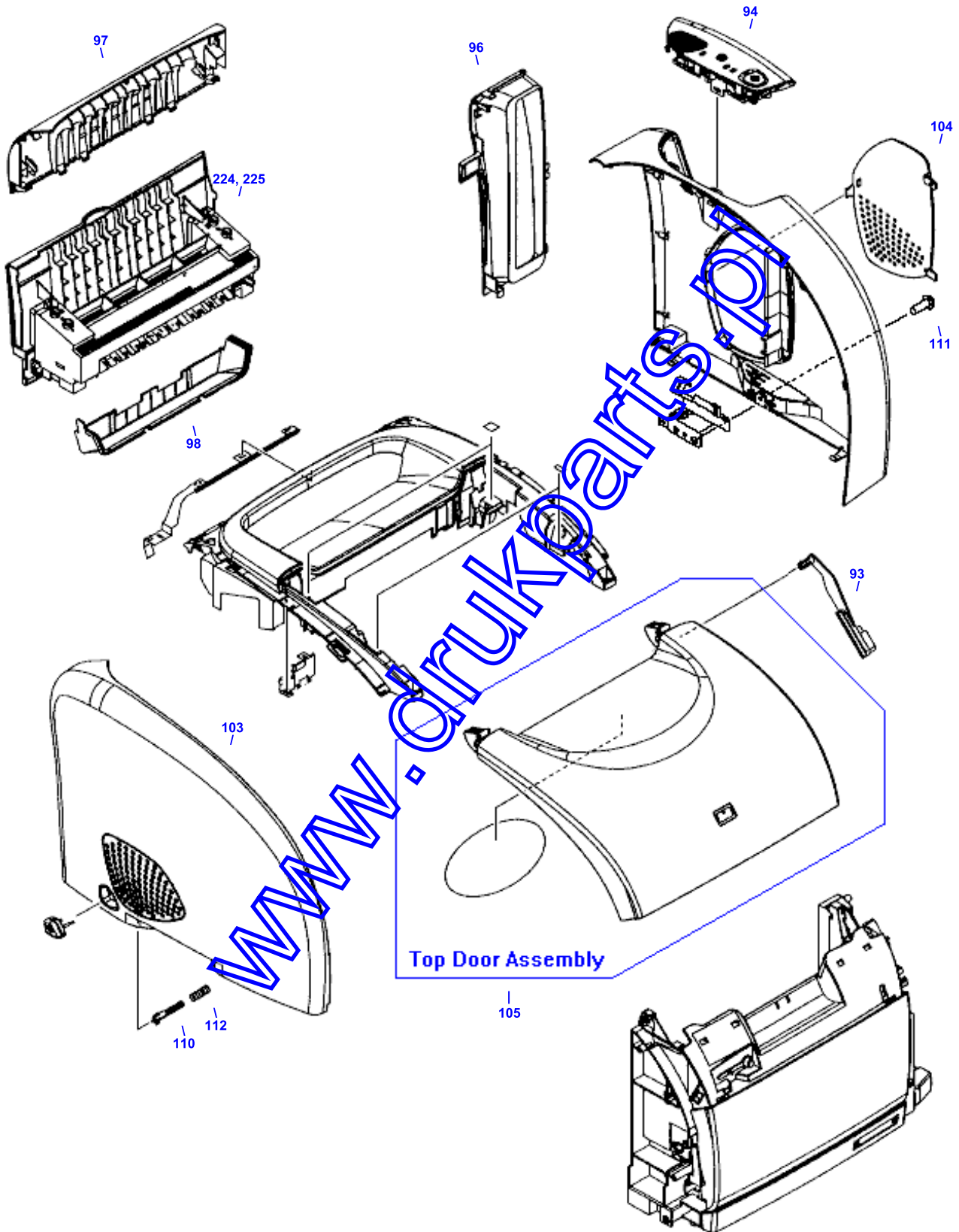


PC Board Assembly Locator



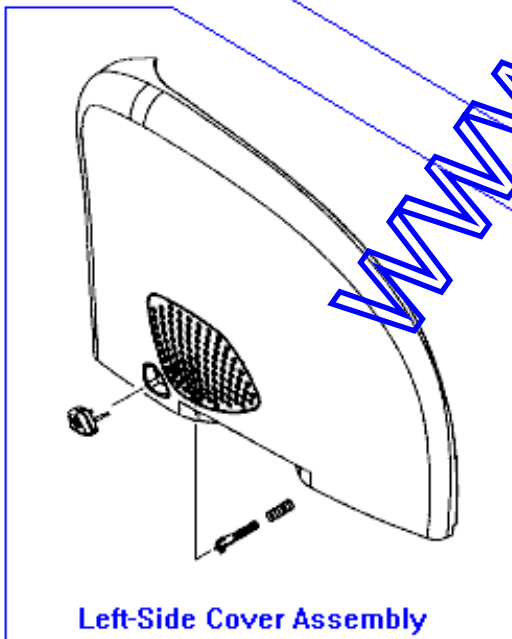
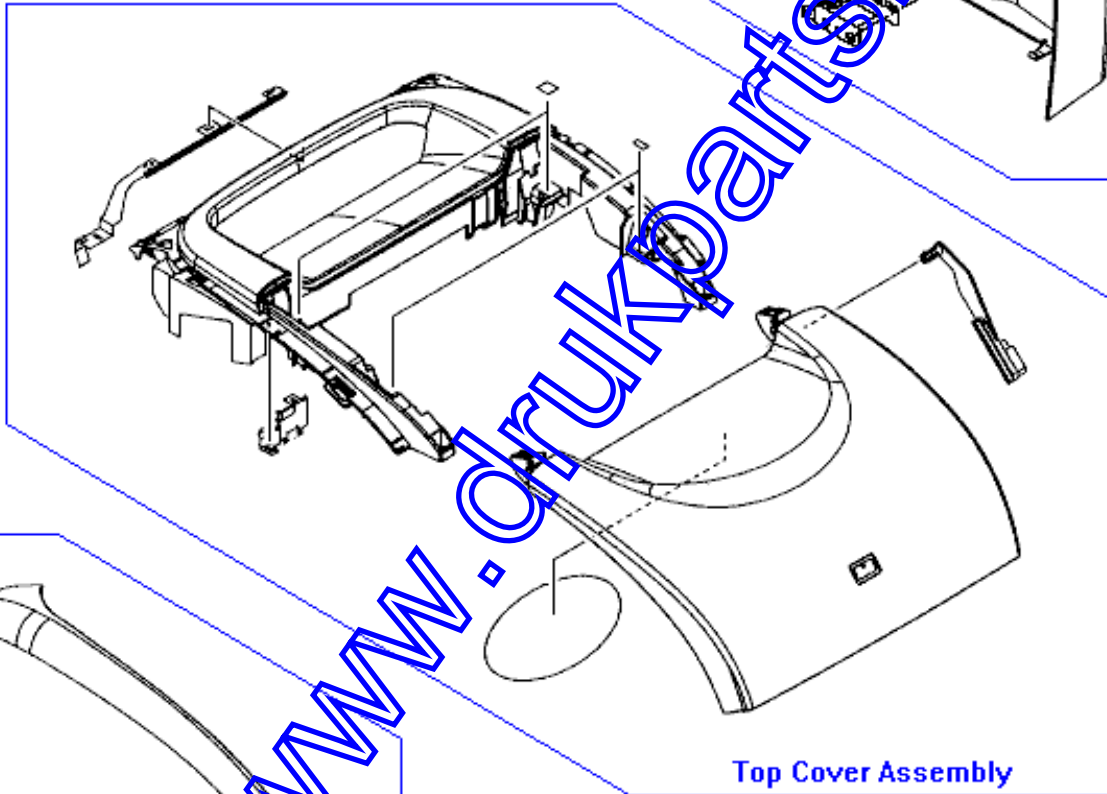
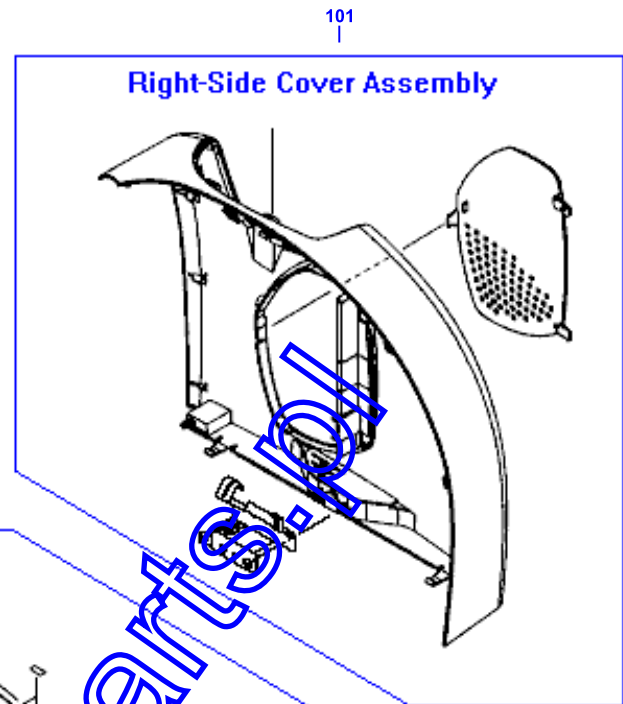
External Covers

2 of 2 →

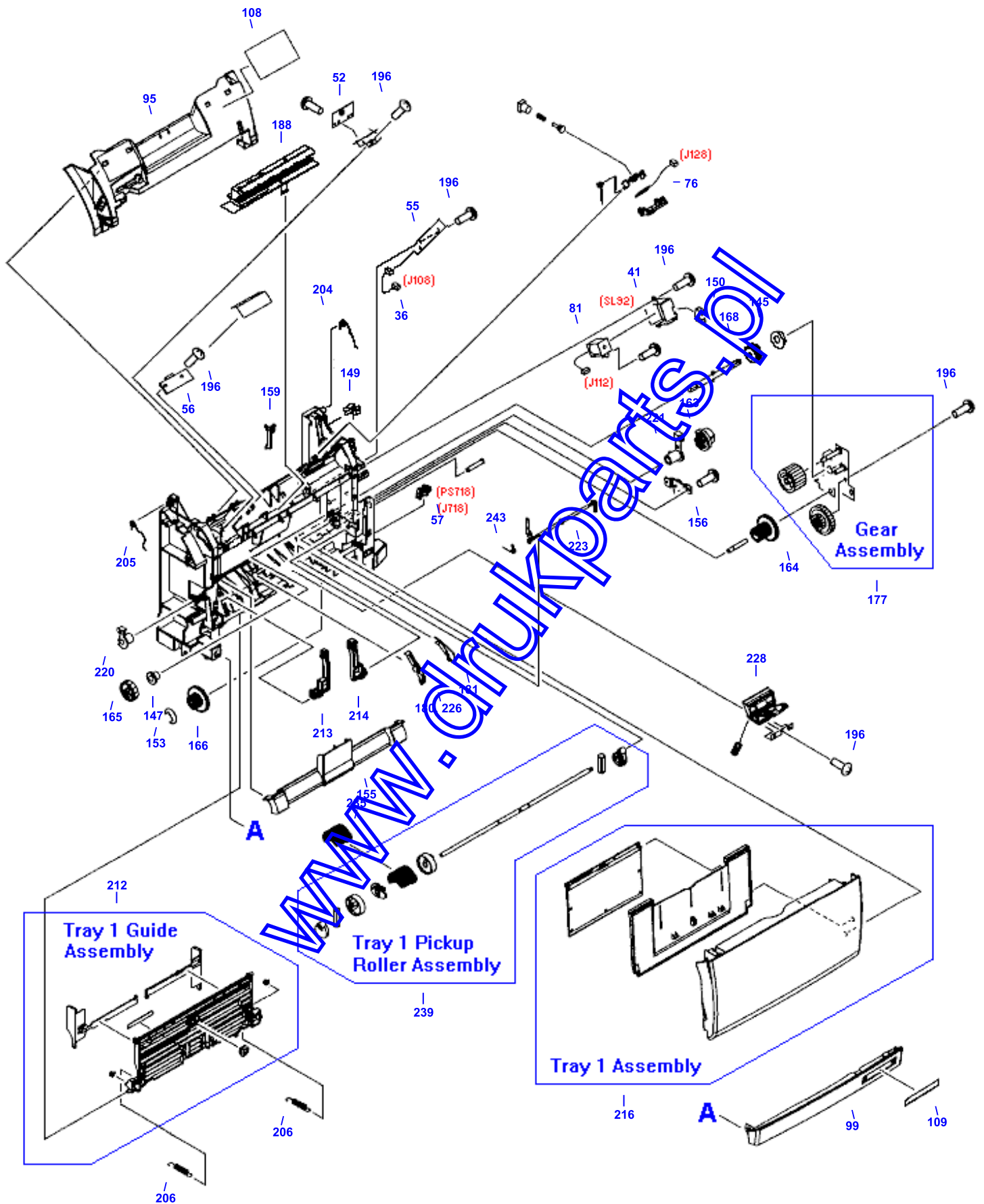


External Covers (Assemblies)

← 1 of 2

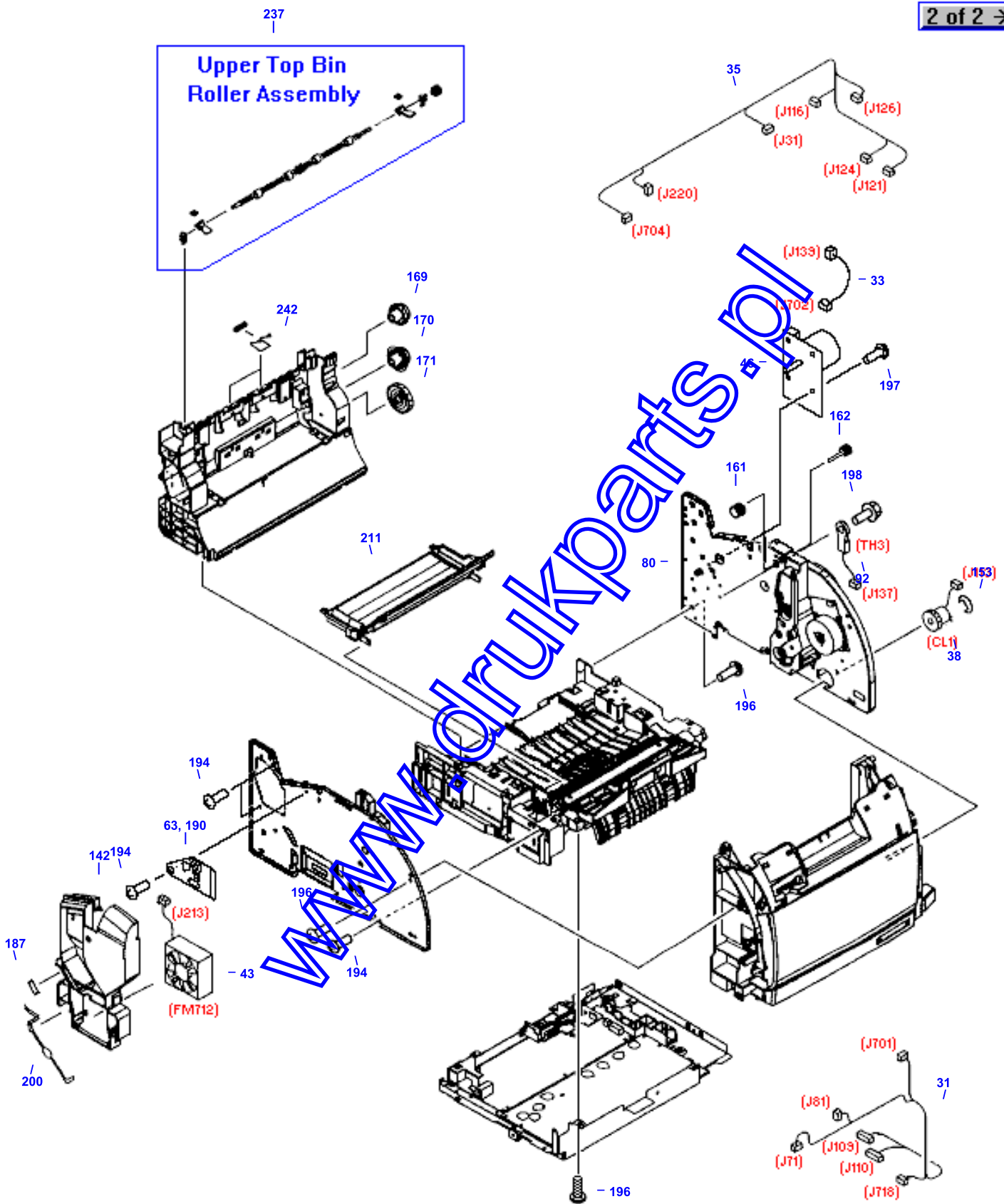


Front Frame Assembly



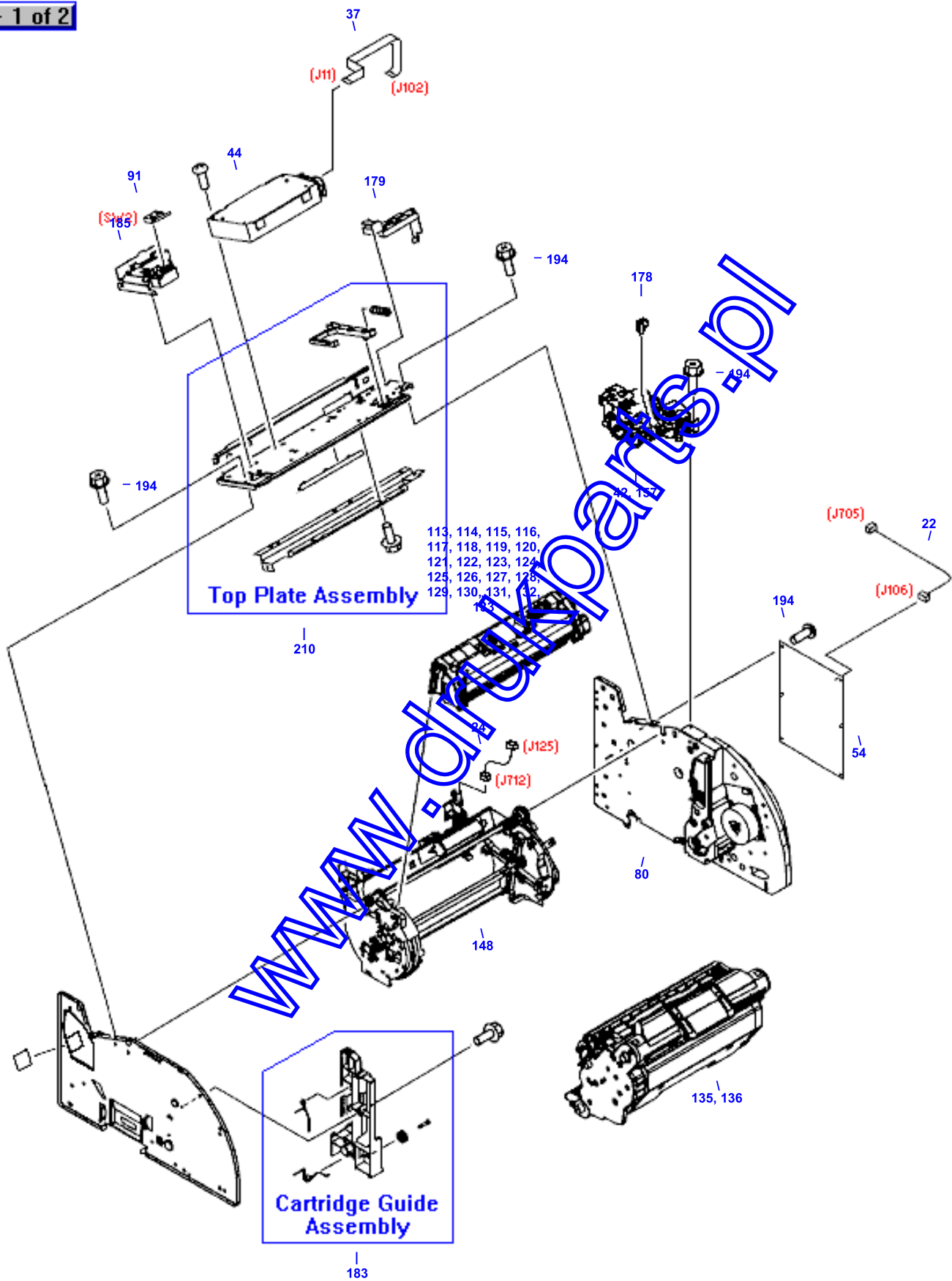
Internal Components (1 of 2)

2 of 2 →



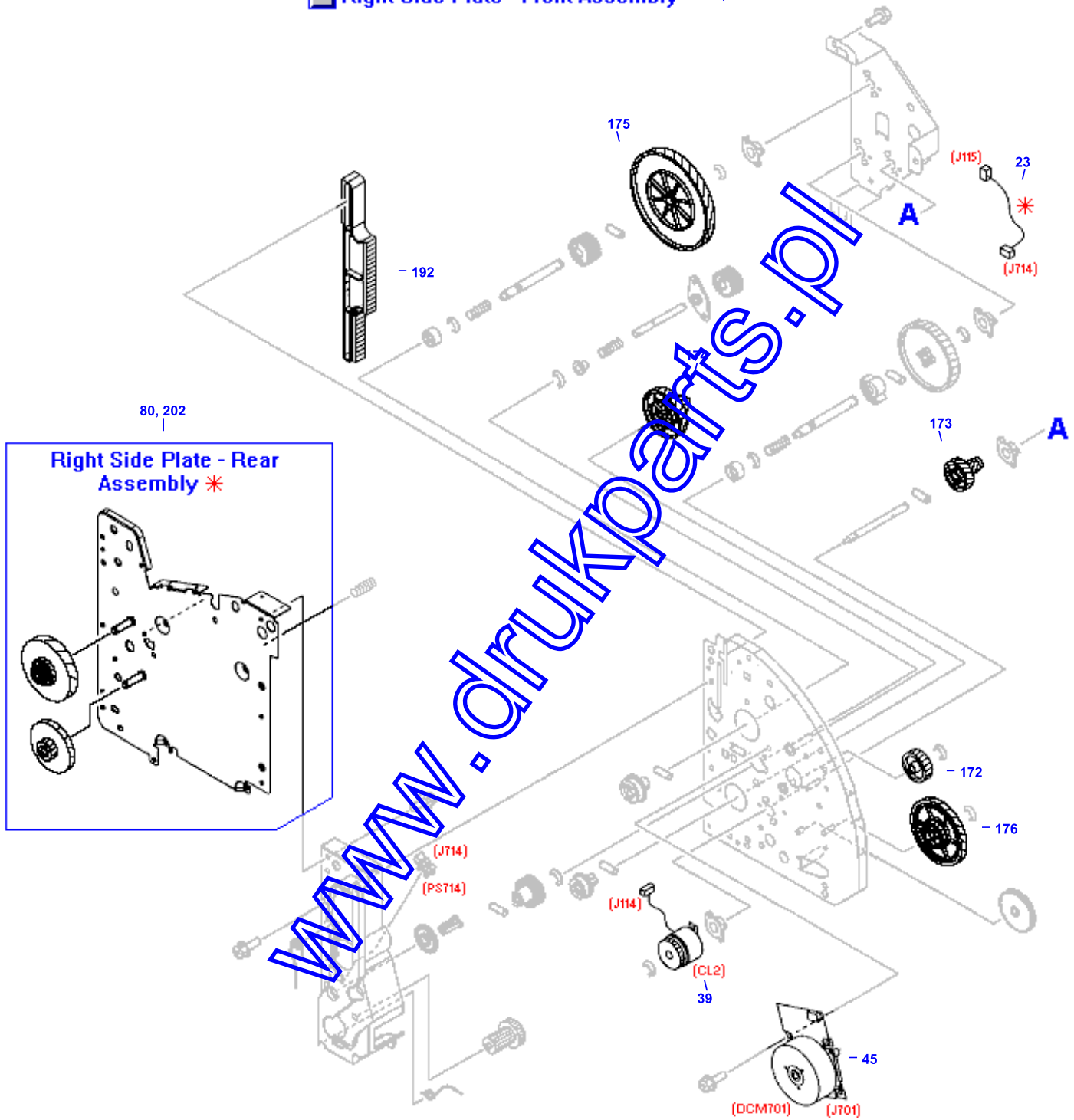
Internal Components (2 of 2)

← 1 of 2



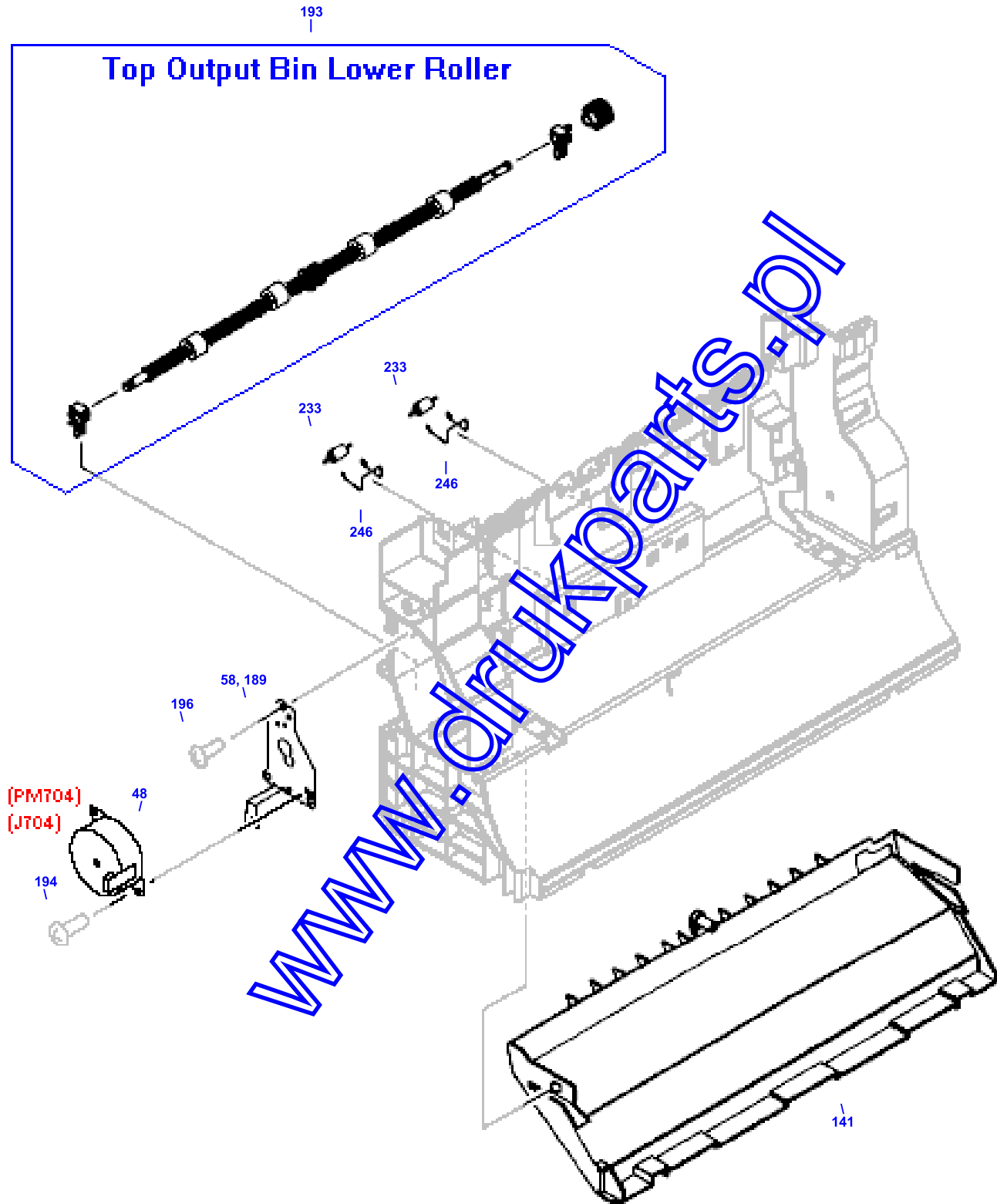
Main Drive Assembly

Right Side Plate - Front Assembly - 80, 203



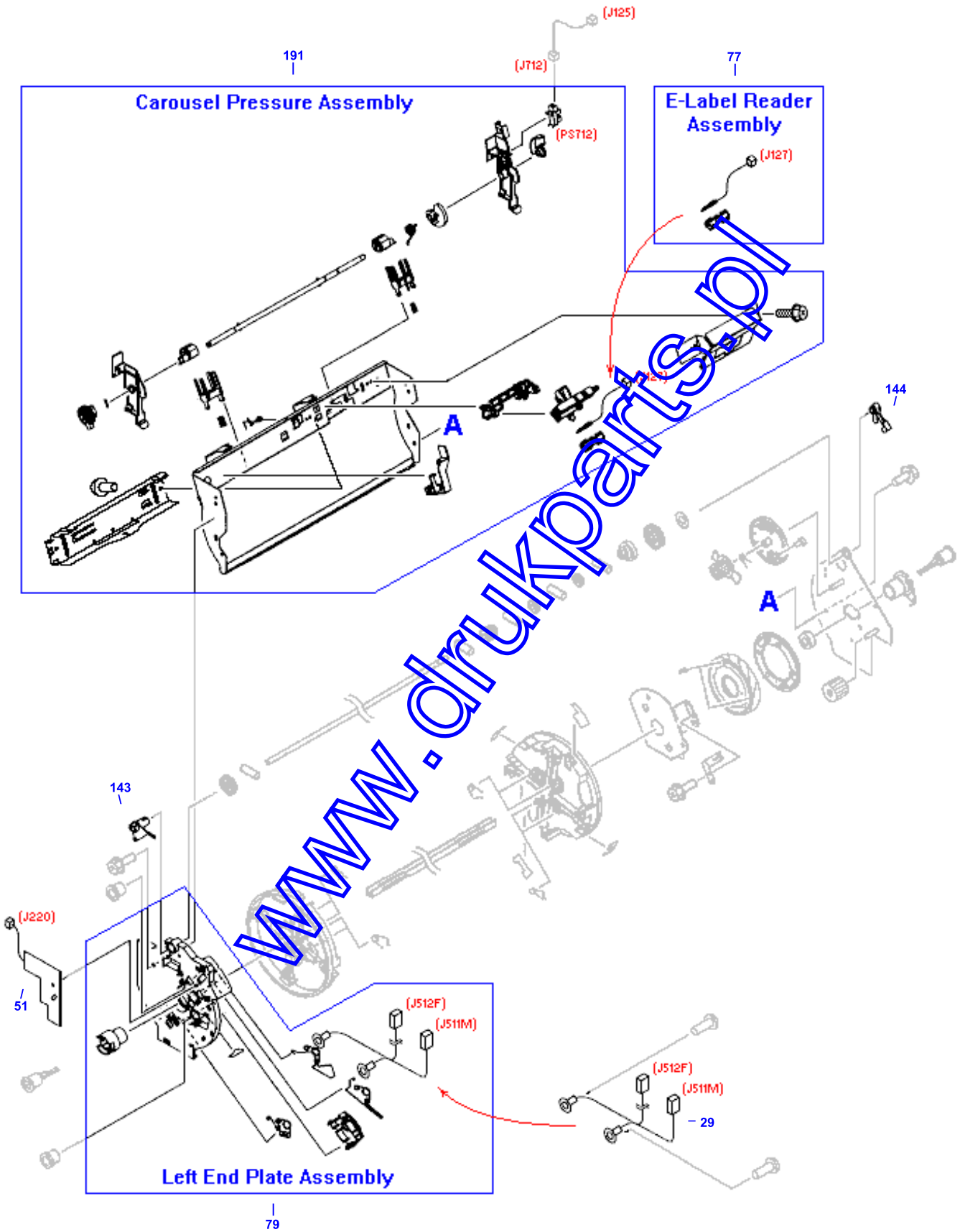
* Not Included With The Right Side Plate - Front Assembly

Rear Frame Assembly



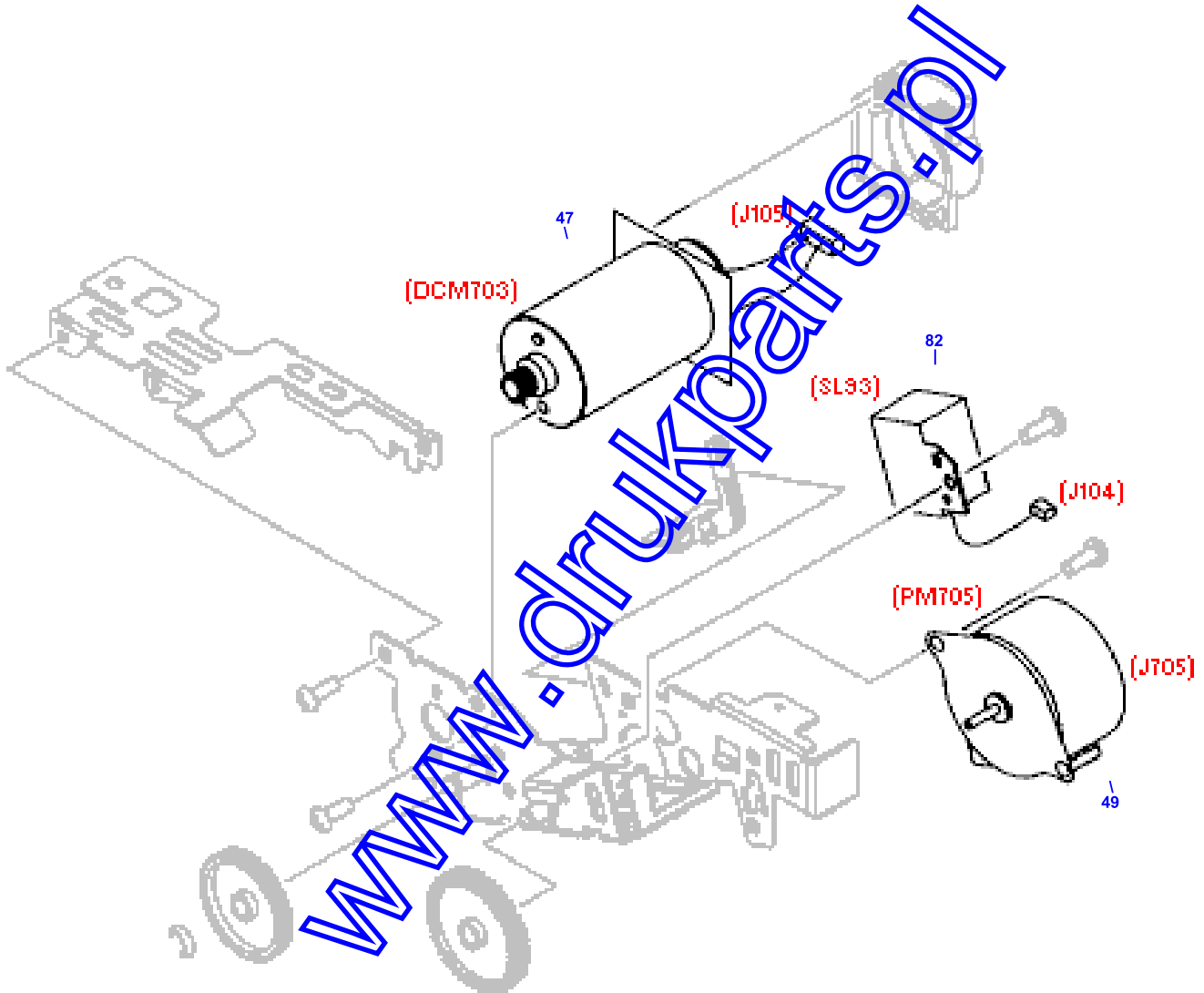
Toner Cartridge Carousel Assembly

Carousel Assembly - 148

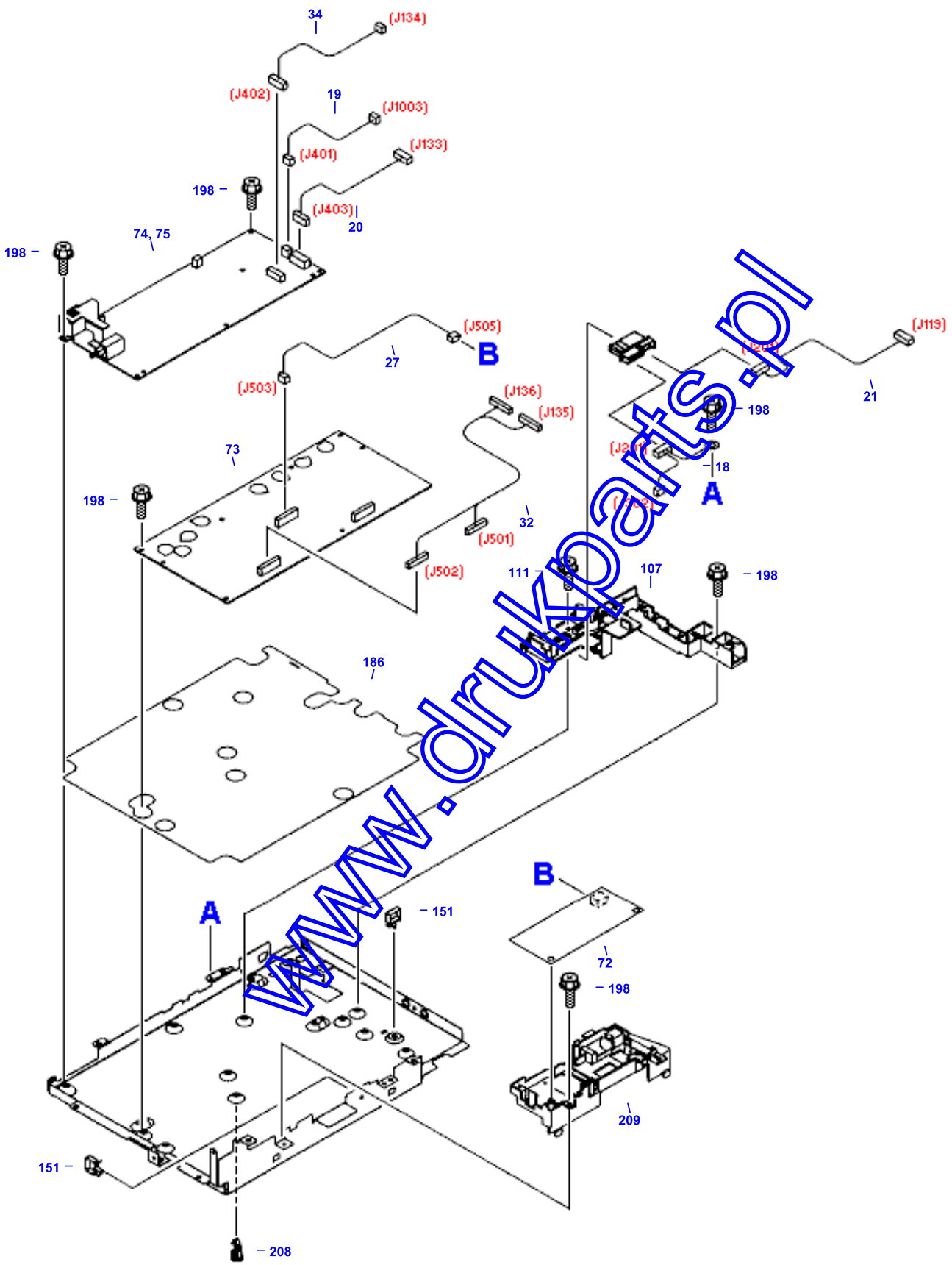


Toner Cartridge Carousel Rotary Drive Assembly

 **Toner Cartridge Carousel Drive Assembly** - 42, 157



Power Supply Base Assembly



HP Parts Reference Guide

<http://www.hp.com/go/parts>

HP PartSurfer

<http://partsurfer.hp.com>

HP Parts Ordering Information

<http://www.hp.com/go/hpparts>

HP Parts Questions/Comments

<http://partsurfer.hp.com/contactus.htm>

www.drukparts.pl