

REF	PART NO	DESCRIPTION	REMARKS	QTY
100	1036534	HOUSING ASSY., LOWER		1
101	1004605	FOOT		2
102	1036535	HOUSING ASSY., UPPER	WITH 118,119	1
104	1036540	COVER ASSY., PRINTER		1
105	1036510	RING		1
106	1036541	SHEET GUIDE ASSY., REAR		1
107	1036539	COVER ASSY., FRONT		1
108	1036511	KNOB		1
109	1036515	SHIELD PLATE, UPPER		1
110	1036517	SHIELD PLATE;B		1
111	1036514	SHIELD PLATE		1
112	1005480	GROUNDING PLATE		4
113	1037281	GROUNDING PLATE, UPPER		1
115	1002045	COVER, CONNECTOR, UPPER		1
116	1036518	MOUNT, HOUSING		1
117	1006374	GUIDE, I/F BOARD		1
118	1036507	HOLDER, SHEET GUIDE, LEFT		1
119	1036512	HOLDER, SHEET GUIDE, RIGHT		1
120	1037486	LOGO PLATE		1
122	B045800115	C.B.(O) SCREW	M4X8 F/ZG	1
123	B300204211	C.B.S. SCREW	M3X6	3
125	B300200111	C.B.S. SCREW	M3X4	5
126	1024145	C.B.P.SCREW, 4X12, F/ZN		3
127	1003164	C.B.P-TITE SCREW, 3X12, F/ZN		8
128	1002674	C.B.S-TITE SCREW	M3X12	2
132	1036516	GROUNDING PLATE, KF		1
133	1011863	GROUNDING PLATE, UP, UPPER		1
135	1036506	SUPPORT, FRAME, SHEET GD, S/A		1
137	1037280	GROUNDING PLATE, BOTTOM		1
138	1037719	LABEL, CAUTION, CH MOTOR		1
140	1025409	MECH. MOUNTING SCREW		4
200	2025279	BOARD ASSY., MAIN	WITHOUT IC7	1
330	2025283	BOARD, POWER SUPPLY 240V		1
372	2025287	HARNESS CONTROL PANEL		1
373	2018028	HARNESS	220V/230V/240V	1
400	2006741	PWR. CABLE (BS31303SA-SR-10A)	240V	1
450	1036536	HOUSING ASSY., PANEL		1
500	2026756	PRINTER MECH.(ASP), M-3J10-100		1
501	1036529	FRAME ASSY., RIGHT		1
502	1036532	FRAME ASSY., LEFT		1
503	2025265	MOTOR, CR		1
504	1038565	RD ASSY.		1
505	1025335	BASE RUBBER		4
510	1006827	GROUND PLATE, PAPER EJECT		1
511	2025266	MOTOR, PF		1
514	1009032	TOOTHED LOCK WASHER A	M 4.3X0.45X8.5	1
521	2025898	HARNESS, PG		1
522	2004004	DETECTOR, HP		1
523	2025264	HARNESS, HP		1
524	2014328	CONNECTOR SWITCH;B		2
525	1036496	PAPER GUIDE		1
526	1005157	SHAFT, RELEASE		1

# EPSON

## FX880

Page 2

REF	PART NO	DESCRIPTION	REMARKS	QTY
527	2025262	HARNESS, PE, FRONT		1
528	2025263	HARNESS, PE, REAR		1
529	2025897	HARNESS, RE		1
530	2019011	DETECTOR, PE, FRONT	0V,0A,0W,	1
531	1005727	DETECTOR ASSY., REAR		1
532	1005213	ROLLER, PF, DRIVEN, LOWER		3
533	1005282	ROLLER ASSY., PF		3
534	1005215	EXTENSION SPRING, 70		3
535	1005214	COMPRESSION SPRING, 1000		3
536	1037222	CARRIAGE ASSY.		1
541	1036538	TRACTOR ASSY.		1
542	1038450	TRACTOR, LEFT		1
543	1038451	TRACTOR, RIGHT		1
544	1036500	SHAFT, TR, DRIVE		1
545	1005164	SHAFT, TR, GUIDE		1
546	1005246	FRAME, TR, LEFT		1
547	1005247	FRAME, TR, RIGHT		1
548	1005248	LEVER, TR, LEFT		1
549	1005249	LEVER, TR, RIGHT		1
550	1025296	PAPER SUPPORT		1
551	1025295	SPUR GEAR, 20		2
552	B150300911	RETAINING RING	TYPE F(6)	2
556	1005158	COVER, PAPER EJECT		1
557	1008693	FRAME, PAPER EJECT, BASE		1
558	1005236	FRAME, PAPER EJECT, LEFT		1
559	1005237	FRAME, PAPER EJECT, RIGHT		1
560	1005243	LEAF SPRING, PE, DOUBLE		1
561	1005244	SPUR GEAR, 15		1
562	1005245	SPUR GEAR, 18		1
563	1005514	LEAF SPRING, PE, SINGLE		1
564	1036491	ROLLER, PAPER EJECT, DRIVE		1
565	1006901	C.B.C-LAMITITE	M3X8	2
568	2025259	CABLE, HEAD		1
569	1036530	ROLLER ASSY, DRIVE		1
570	1036492	PLATEN		1
571	1025355	BUSHING, 8, LEFT		1
572	1025285	BUSHING, 8, RIGHT		1
573	1036495	COVER, PLATEN		1
575	1036497	RIBBON, MASK		1
576	1014600	PAPER GUIDE ASSY., SUPPORT		1
577	1005148	GUIDE PAPER LOAD		1
578	1036490	FRAME, REAR		1
579	1036489	FRAME, FRONT		1
580	1036486	FRAME, SUB, RIGHT		1
581	1037282	GROUND. PLATE MECH..LWR		1
582	1008698	SHAFT, CR, GUIDE		1
583	1005172	BUSHING, PARALLEL, ADJUST		1
584	1036494	LEVER, GAP, ADJUST		1
585	1025333	CAP, LEVER		1
586	1036501	GROUND PLATE, MECH.		2
587	1005185	MOUNTING PLATE, MOTOR, CR		1
588	1010896	HOLDER, RIBBON MASK		1
589	F334005140	OIL PAD		1
590	1008717	LEVER, RELEASE		1

# EPSON FX880

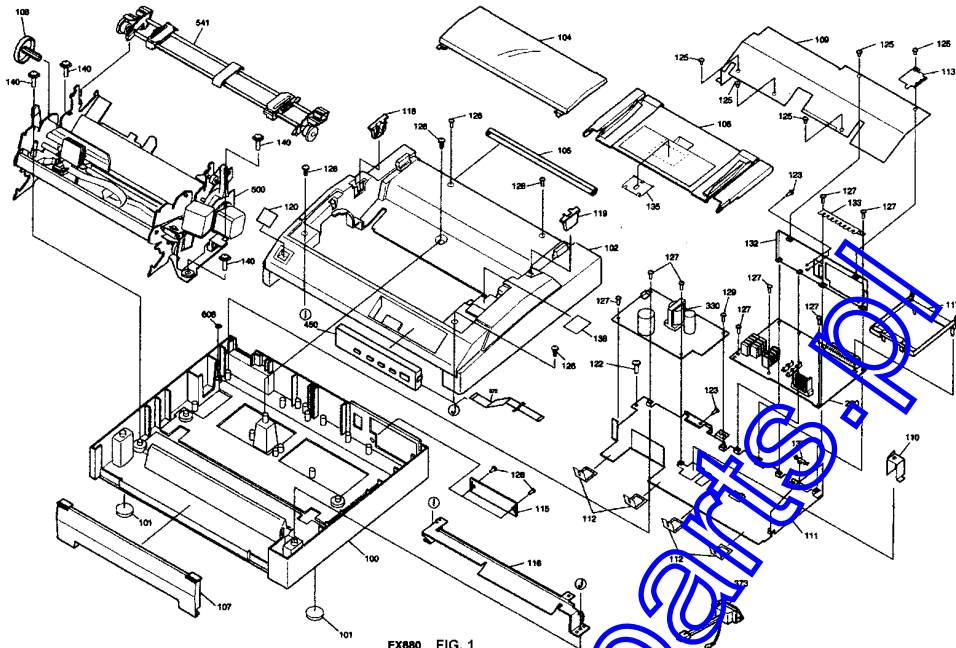
Page 3

REF	PART NO	DESCRIPTION	REMARKS	QTY
591	1005220	CAM, CLUTCH, TRACTOR		1
592	1036498	HOLDER, CABLE		1
593	1008716	COMBINATION GEAR, 31, 5, 8		1
594	1005224	SPUR GEAR, 27		1
595	1013093	SPUR GEAR, 34.5		2
596	1005226	SPUR GEAR, 34		1
597	1005227	SPUR GEAR, 15		1
598	1005218	INTERMITTENT GEAR		1
599	1005186	EXTENSION SPRING, 1056		1
600	1005201	EXTENSION SPRING, 71		2
601	1005232	COMPRESSION SPRING, 200		2
602	1031702	SPRING PIN, 2X18, F/B		1
603	1000972	C.B.S-TITE C(P2)SCREW, 3X8, F/ZN		1
604	1005019	C.B.P-TITE SCREW, 3X8, F/ZN	M3X8 F/ZN	1
605	B010303311	C.B.SCREW	M3X8	2
606	B070200411	HEXAGON NUT	M4	2
607	B100166012	PLAIN WASHER	M3X0.5X15	2
608	B010303411	C.B.SCREW	M3X8	1
609	B010303511	C.B.SCREW	M3X10	1
610	B300204311	C.B.S. SCREW	M3X8	16
613	1005416	SHAFT, MOUNT, CR		2
614	1009032	TOOTHED LOCK WASHER A	M 4.3X0.45X8.5	1
615	1036499	SHEET, CABLE, HEAD		1
616	1037784	SHEET, RELEASE, CAP		1
617	B101253990	LEAF SPRING	8.2X0.25X15	1
618	1031612	SPUR GEAR, 36		1
619	B160101412	RETAINING RING	TYPE-C	3
620	1025323	LEVER, DETECTOR, PE, REAR		1
621	1025324	LEVER, PE, SUPPORT		1
622	1025325	TORSION SPRING, 0.26		1
623	1039378	PLAIN WASHER, 3X0.5X8, F/ZB		1
650	F063000	PRINT HEAD		1
END				

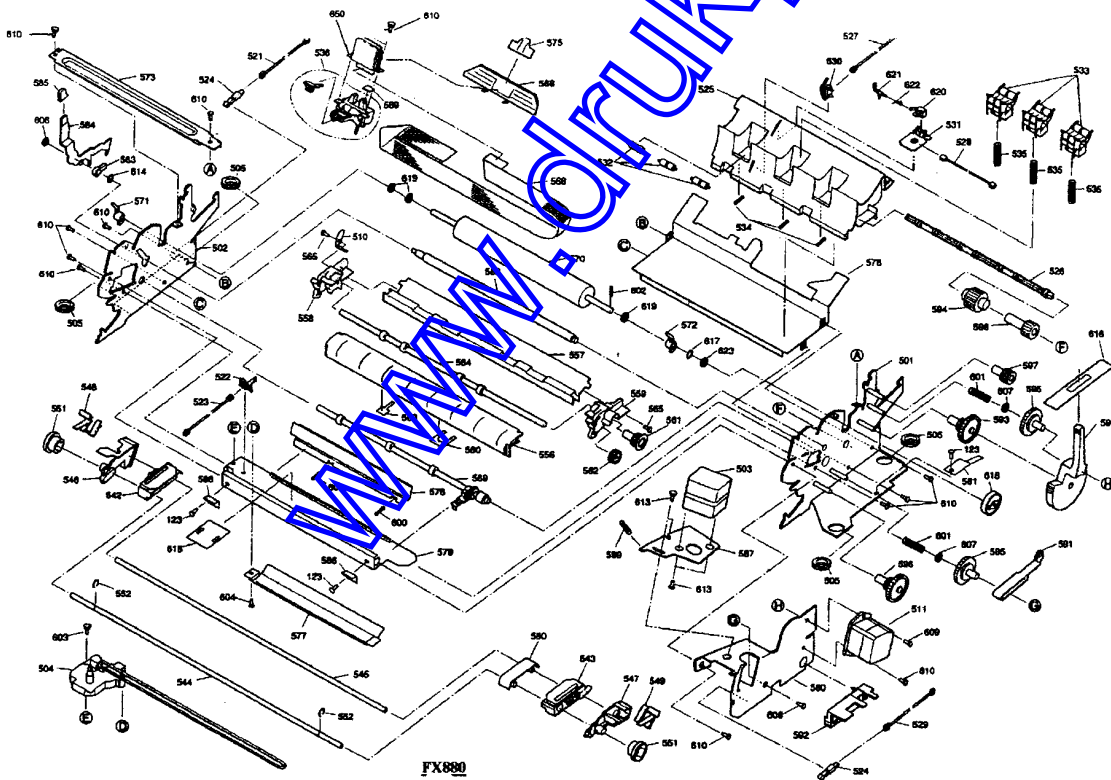
www.oriparts.com

# EPSON FX880

Page 4



FX880 FIG. 1



FX880

[www.drukparts.pl](http://www.drukparts.pl)