

NB: Part Number rationalisation – 10 digit part numbers in brackets are the old numbers for otherwise identical items

FX-2190

Page No.:1

REF.	PART NO	DESCRIPTION	SPEC	QTY
100	1266427	HOUSING ASSY.,LOWER		1
101	1004605	FOOT		1
102	1266428	HOUSING ASSY.,UPPER		1
103	1266431	COVER ASSY.,PRINTER,REAR		1
104	1266430	COVER ASSY.,PRINTER		1
105	1242626	GUIDE;EPAG		1
106	1266433	SHEET GUIDE ASSY		1
107	1266429	COVER ASSY.,FRONT		1
108	1234171	KNOB		1
109	1233915	SHIELD,PLATE,UPPER		1
110	1233914	SHIELD PLATE;B		1
111	1233912	SHIELD PLATE		1
112	1233916	GROUNDING PLATE		3
113	1236544	SHEET,PANEL		1
115	1236524	COVER,CONNECTOR,UPPER;EPAG		1
116	1242291	MOUNT,HOUSING		1
117	1064686	GUIDE,I/F BOARD		1
118	1234159	HOLDER,SHEET GUIDE,LEFT		1
119	1234160	HOLDER,SHEET GUIDE,RIGHT		1
120	1242638	LOGO PLATE,12X48;C		1
121	1236041	STOPPER,COVER,FRONT		1
122	1036498	HOLDER,CABLE		1
123	2081380	FAN ASSY.		1
125	1073165	C.B.S. SCREW(B300204211)	M3X6	1
126	1003164	C.B.P-TITE SCREW,3X12,F/21		1
127	1073165	C.B.S. SCREW(B300204211)	M3X6	1
132	1233911	GROUNDING PLATE,I/F		1
133	1064693	GROUNDING PLATE,UPPER		1
135	1048331	C.B.S-TITE,3X20,F/21		1
150	2018967	DETECTOR ASSY.,CASE OPEN		1
151	1026338	HOLDER,DETECTOR		1
(CN2)	1025510	GROUNDING PLATE,I/F		1
200	2082229	BOARD ASSY.,MAIN	5926B,STANDARD (C526)	1
330	2080699	BOARD ASSY.,POWER SUPPLY	5928A,C524 STANDARD	1
372	2081151	HARNESS	FFC HARNESS	1
373	2082139	HARNESS		1
450	1262597	HOUSING ASSY.,PANEL		1
500	2085541	PRINTER MECHANISM(ASP)M-3R60-100		1
501	1232303	FRAME ASSY.,RIGHT		1
502	1232302	FRAME ASSY.,LEFT		1
503	2035035	MOTOR ASSY.,CARRIAGE		1
504	1242126	RIBBON DRIVE ASSY.		1
505	1250538	BASE RUBBER		4
511	2056298	MOTOR,PAPER FEED		1
521	2026508	HARNESS,PAPER GUIDE		1
522	2004004	DETECTOR,HOME POSITION		1
523	2026507	HARNESS,HOME POSITION		1
524	2014328	CONNECTOR SWITCH;B		2
525	1265824	PAPER GUIDE ASSY.,REAR		1
526	1005217	SHAFT,RELEASE		1
527	2026505	HARNESS,PE,FRONT		1

NB: Part Number rationalisation – 10 digit part numbers in brackets are the old numbers for otherwise identical items

FX-2190

Page No.:2

REF.	PART NO	DESCRIPTION	SPEC	QTY
528	2026506	HARNES,PE,REAR		1
529	2025897	HARNES,RE		1
530	2071496	DETECTOR,PE,FRONT,S	”	1
531	1005727	DETECTOR ASSY., REAR		1
532	1005213	ROLLER,PF,DRIVEN,LOWER		4
533	1005282	ROLLER ASSY.,PF		4
534	1005216	EXTENSION SPRING,46		1
535	1005214	COMPRESSION SPRING,1000		4
536	1237005	CARRIAGE SUB ASSY.		1
540	1013733	C.B.B-TITE(P(13)),3X14,F/ZN		4
541	1261641	TRACTOR ASSY.		1
542	1251317	TRACTOR,LEFT; GREY		1
543	1251318	TRACTOR,RIGHT;GREY		1
544	1038503	SHAFT,TRACTOR DRIVE		1
545	1005251	SHAFT,TRACTOR GUIDE		1
546	1251312	FRAME,TRACTOR LEFT;EPAG		1
547	1251313	FRAME,TRACTOR RIGHT;EPAG		1
548	1251314	LEVER,TRACTOR LEFT;GREY		1
549	1251315	LEVER,TRACTOR RIGHT;GREY		1
550	1025296	PAPER SUPPORT		1
551	1039507	SPUR GEAR,20		2
552	1074768	RETAINING RING(B150300911)	TYPE-E(6)	2
556	1237003	COVER,PAPER EJECT		1
557	1242128	PAPER EJECT ASSY.		1
560	1005243	LEAF SPRING,PAPER EJECT,DOUB		1
561	1235581	SPUR GEAR,15		1
562	1004929	SPUR GEAR,11.5		1
563	1005514	LEAF SPRING,PAPER EJECT,SINGL		1
564	1038502	ROLLER,EJ,DRIVE		1
565	1008704	SLIDER,CR		1
568	2081873	CABLE,HEAD		1
569	1090459	ROLLER ASSY, DRIVE		1
570	1242127	PLATEN ASSY		1
571	1236997	FRAME,REAR		1
572	1236999	FRAME,BASE		1
573	1243506	COVER,PLATEN		1
575	1232295	RIBBON MASK		1
576	1043222	PAPER GUIDE ASSY.,SUPPORT		1
577	1237002	GUIDE,PAPER LOAD		1
578	1235585	LEVER,RELEASE,TRANSMISSION;W		1
579	1236998	FRAME,FRONT		1
580	1235586	FRAME,SUB,RIGHT		1
582	1265406	SHAFT,CR,GUIDE		1
583	1232294	BUSHING,PARALLEL,ADJUST		1
584	1232267	LEVER,GAP,ADJUST		1
585	1251316	CAP,LEVER; GREY		1
586	1036501	GROUNDING PLATE,MECH.		1
587	1005185	MOUNTING PLATE,MOTOR,CR		1
588	1259448	HOLDER,RIBBON MASK		1
589	1038496	OIL PAD		1
590	1251311	LEVER,RELEASE; GREY		1

NB: Part Number rationalisation – 10 digit part numbers in brackets are the old numbers for otherwise identical items

FX-2190

Page No.:3

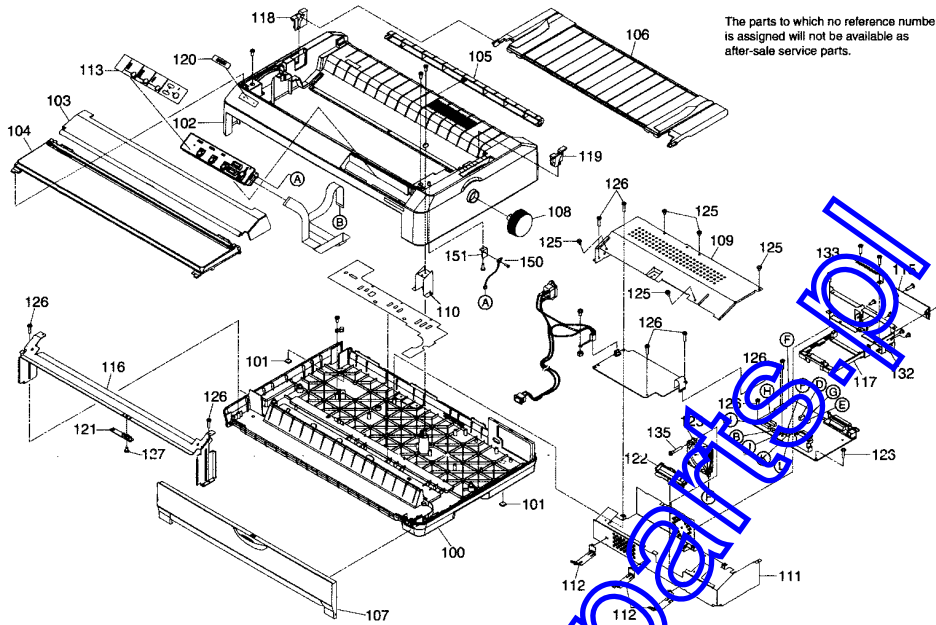
REF.	PART NO	DESCRIPTION	SPEC	QTY
591	1028357	CAM,CLUTCH,TRACTOR		1
592	1234169	HOLDER,CABLE		1
593	1008716	COMBINATION GEAR,31,5,8		1
594	1005224	SPUR GEAR,27		1
595	1013093	SPUR GEAR,34.5		2
596	1005226	SPUR GEAR,34		1
597	1005227	SPUR GEAR,15		1
598	1028359	INTERMITTENT GEAR		1
600	1005201	EXTENSION SPRING,71		3
601	1005232	COMPRESSION SPRING,200		1
603	1000972	C.B.S(P),(0) SCREW	M3X8	3
605	1004635	C.B.SCREW(B010303311)	M3X6	1
607	1038560	PLAIN WASHER,8.2X0.5X12,L/NA		2
609	1001275	C.B.SCREW(B010303511)	M3X1	1
610	1006653	C.B.SCREW(B010303411)	M3X8	1
613	1005416	SHAFT,MOUNT,CARRIAGE		1
615	1005176	HOLDER,CABLE,HEAD		1
616	1242257	SHEET,RELEASE,CAP		1
618	1031612	SPUR GEAR,36		1
620	1025323	LEVER,DETECTOR,PE,REAR		1
621	1025324	LEVER,PE,SUPPORT		1
622	1025325	TORSION SPRING,0.26		1
650	1267348	HEAD KIT ASP		1
651	1080933	EXTENSION SPRING,16.45		1
652	1080935	HOLDER,PULLEY DRIVEN		1
NON FIG	1049820	OIL O-14	VP-2300/LQ-680/680PRO	1
NON FIG	1080614	GREASE G-26 (40G)(B702600001)	M-2728	1
END				

www.druckparts.pl

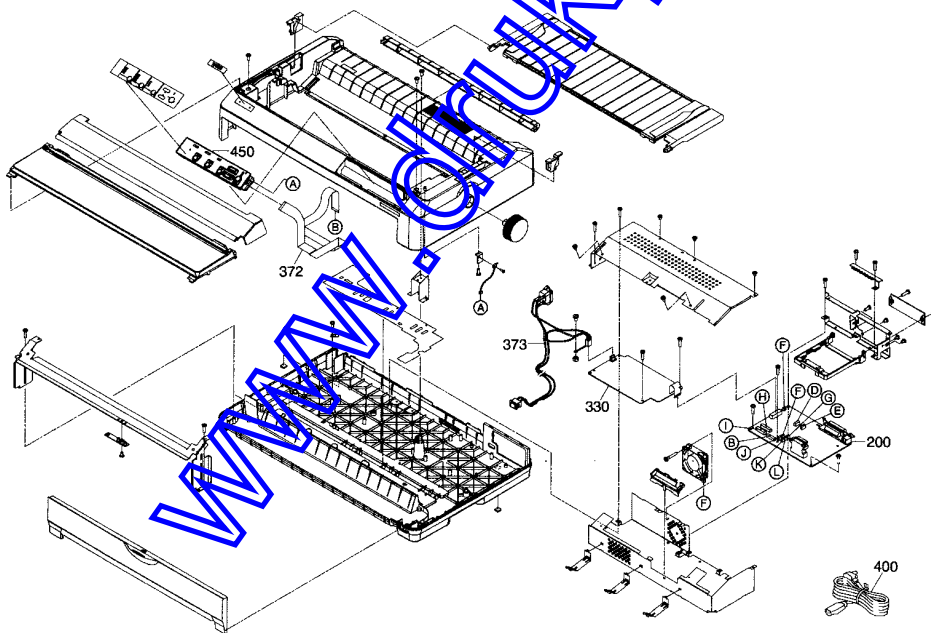
NB: Part Number rationalisation – 10 digit part numbers in brackets are the old numbers for otherwise identical items

FX-2190

Page No.:4



FX-2190 NO.1 Rev.01 C526 CASE_01



FX-2190 NO.2 Rev.01

