

EPSON

FX2170

Page 2 of 16

REF.	PART.NO.	DESCRIPTION	QTY	STANDARD
200	2018830	BOARD ASSY. MAIN	1	
IC3	2020543	EP-ROM	1	2M BIT
CN1	2020397	CONNECTOR 0-178042-1	1	36
CN10	2017936	CONNECTOR	1	4
CN11	2005108	CONNECTOR	1	5 PIN
CN12	X600440410	CONNECTOR	1	4 PIN
CN13	2017929	CONNECTOR	1	4
CN14	2011241	CONNECTOR	1	10 0MM
CN15	2017940	CONNECTOR	1	22
CN2	2007160	CONNECTOR	1	36PIN
CN3	2019114	CONNECTOR	1	10
CN4	X600440310	CONNECTOR	1	3 PIN
CN5	2007097	CONNECTOR	1	3
CN6	X600440120	CONNECTOR	1	2 PIN
CN7	2019111	CONNECTOR	1	4
CN8	2008494	CONNECTOR	1	18
CN9	2019112	CONNECTOR	1	16
CRU1	2013101	CERAMIC OSCILLATOR	1	14.74MHz
C1-C3-C4	2002486	CHIP CAPACITOR	3	0.1UF DC25V +80% -20%
C10	X200561009	AL'UM. E'LYTIC. CAP.	1	100UF DC50V 20%
C12-C33	2002486	CHIP CAPACITOR	2	0.1UF DC25V +80% -20%
C13-C14	2011661	CHIP CAPACITOR	2	100UF 39V 50V +-5%
C15-C21	2002486	CHIP CAPACITOR	7	0.1UF DC25V +80% -20%
C2--C8-C22	X271124711	CHIP CAPACITOR	3	470PF 50V 10%
C23-C27	X271124711	CHIP CAPACITOR	2	470PF 50V 10%
C24-C25	2002500	CHIP CAPACITOR	2	TP 4700PF 50V +-1
C26	X200561019	AL'UM. E'LYTIC. CAP.	1	100UF 50V 20%
C28-C60	X271124711	CHIP CAPACITOR	2	470PF 50V 10%
C29-C30	X271122221	CHIP CAPACITOR	2	2200PF DC50V 10%
C31	2002486	CHIP CAPACITOR	1	0.1UF DC25V +80% -20%
C32	2006348	CHIP CAPACITOR	1	0.1UF 50V TP
C34-C37	2010653	CHIP CAPACITOR	4	470PF 220V 10%
C38-C59	2002486	CHIP CAPACITOR	2	0.1UF DC25V +80% -20%
C40-C42	2002486	CHIP CAPACITOR	3	0.1UF DC25V +80% -20%
C43-C58	X271121021	CHIP CERAMIC CAPACITOR	16	1000PF DC50V 10%
C5	2002487	CHIP CAPACITOR	1	0.01UF 50V 10%
C6-C7-C11	2002486	CHIP CAPACITOR	3	0.1UF DC25V +80% -20%
C9	X200561020	AL'UM. E'LYTIC. CAP.	1	BL 100 0UF 50V 20%
D1	2006214	SWITCHING DIODE	1	
D4-D7	2017977	DIODE	4	
IC1	2018877	CPU	1	
IC10	2009451	IC	1	SOP 4
IC11	2017973	HIC (DN2917)B-TR	1	
IC12	2000592	IC (BR) IC	1	
IC2	2019659	GAUSS ARRAY	1	
IC3	X630113230	IC SOCKET	1	32 PIN
IC5	2018878	PSRAM	1	1M BIT
IC6	X422350329	TTL-IC	1	QUAD 2-INPUT PO. OR
IC8	2013161	EEPROM	1	1K BIT 8 PIN
IC9	X422350069	TTL-IC SN74LS06NS-TPL	1	
Q4	2011623	TRANSISTOR	1	50V 100MA 200MW 100 0
Q5-Q22	X302398709	TRANSISTOR	18	60+-10V 3A 2W
RM1-RM2	2007898	CHIP RESISTOR ARRAY	2	10K OHM 1/16W 5%
RM12-RM14	2009784	CHIP RESISTOR ARRAY	3	47 OHM 1/16W 5%
RM17-RM22-	2009784	CHIP RESISTOR ARRAY	6	47 OHM 1/16W 5%
RM26	2009784	CHIP RESISTOR ARRAY	1	47 OHM 1/16W 5%
RM27-RM28	2007897	CHIP RESISTOR ARRAY	2	3.3K OHM 1/16W 5%
RM29-RM30	2012538	RESISTOR ARRAY	2	
RM3-RM5	2007897	CHIP RESISTOR ARRAY	3	3.3K OHM 1/16W 5%

ESP0385/2

EPSON FX2170

Page 3 of 16

REF.	PART.NO.	DESCRIPTION	QTY	STANDARD
RM31-RM32	2007898	CHIP RESISTOR ARRAY	2	10K OHM 1/16W 5%
RM6	2014643	CHIPRESISTOR ARRAY	1	TP 1.8KOHM 1/16W +-5%
RM7-RM11	2019104	CHIP RESISTOR ARRAY	5	TP 910 OHM 1/16W +-5%
R1	2008818	CHIP RESISTOR	1	TP 1.8KOHM 1/10W +-5%
R12-R38	2005570	CHIP RESISTOR	2	6.2K OHM 1/10W 5% TP
R2--R99	2005302	CHIP RESISTOR	2	3.9K OHM
R20	X193013312	CHIP RESISTOR	1	330 OHM 1/10W 5% TP
R27-R28	X193011032	CHIP RESISTOR ERJ-6GEYJ103V	2	10K OHM 1/10W 5%
R29-R32	X193012022	CHIP RESISTOR	4	2K OHM 1/10W 5%
R3	2006215	CHIP RESISTOR	1	180 OHM 1/10W 5%
R33	2019097	METAL OXIDE FILM RESISTOR	1	BL 470HM 1/2W +-5%
R35-R37	X193011032	CHIP RESISTOR ERJ-6GEYJ103V	3	10K OHM 1/10W 5%
R39	2013177	CHIP RESISTOR	1	TP 180OHM 1/4W +-5%
R4-R132	2001531	CHIP RESISTOR	2	3.3 OHM 1/10W 5%
R40-R43	X193011032	CHIP RESISTOR ERJ-6GEYJ103V	4	10K OHM 1/10W 5%
R44-R46	2005570	CHIP RESISTOR	3	6.2K OHM 1/10W 5% TP
R47-R61	X193011022	CHIP RESISTOR ERJ-6GEYJ102V	2	1K OHM 1/10W 5%
R48	2019103	METAL OXIDE FILM RESISTOR	1	BL 5.1KOHM 1/2W +-5%
R49	2007981	CHIP RESISTOR	1	3.3K OHM 1/10W 1%
R5-R8	X193011022	CHIP RESISTOR ERJ-6GEYJ102V	4	1K OHM 1/10W 5%
R50	2009184	CHIP RESISTOR	1	16K OHM 1/4W 0.5%
R51	2009183	CHIP RESISTOR	1	2K OHM 1/10W 0.5%
R52-R80	X193011032	CHIP RESISTOR ERJ-6GEYJ103V	2	10K OHM 1/10W 5%
R56	2019183	CHIP RESISTOR	1	TP 14.7KOHM 1/10W +-1%
R57	2006216	CHIP RESISTOR	1	1.69KOHM 1/10W 1%
R58	2008817	CHIP RESISTOR	1	1K OHM 1/10W 1%
R59-R60	2005470	CHIP RESISTOR	2	56K OHM 1/10W 5%
R62-R81	X193011022	CHIP RESISTOR ERJ-6GEYJ102V	2	1K OHM 1/10W 5%
R63--R64	2019185	METAL OXIDE FILM RESISTOR	2	BL 0.560HM 1/2W +-2%
R65-R66	2001538	CHIP RESISTOR	2	47K OHM 1/10W 5%
R67-R68	2001530	CHIP RESISTOR	2	2.4K OHM 1/10W 5%
R69-R70	X120220686	METAL OXIDE FILM RESISTOR	2	0.68 OHM 2W 5%
R71	2013179	CHIP RESISTOR	1	TP 1.05KOHM 1/10W +-1%
R72	2006341	CHIP RESISTOR	1	TP 5.76KOHM 1/10W +-1%
R73	2007896	CHIP RESISTOR	1	TP 4.42KOHM 1/10W +-1%
R74	2007905	CHIP RESISTOR	1	TP 1.24KOHM 1/10W +-1%
R75	2004296	CHIP RESISTOR	1	TP 787OHM 1/10W +-1%
R76	2019102	CHIP RESISTOR	1	TP 127OHM 1/10W +-1%
R77-R79	2001535	CHIP RESISTOR	2	15K OHM 1/10W 5%
R78-R82	2001521	CHIP RESISTOR	2	200 OHM 1/10W 5%
R87	2001520	CHIP RESISTOR	1	100 OHM 1/10W 5%
R90-R86	2001517	CHIP RESISTOR	2	47 OHM 1/10W 5%
R96-R98	X193011032	CHIP RESISTOR ERJ-6GEYJ103V	3	10K OHM 1/10W 5%
ZD1	X330160109	ZENER DIODE	1	4.7 +-0.05V 0.15A 0.4A
450	2018829	BOARD ASSY. PANEL	1	
300	2020932	BOARD ASSY. POWER SUPPLY	1	FOR UK
CN1	2000295	CONNECTOR	1	2 PIN
CN2	2018864	HARNESS	1	
CN3	X600440120	CONNECTOR	1	2 PIN
C1	2001138	FILM CAPACITOR	1	0.22UF 250V 20%
C11	2001081	ELECTROLYTIC CAPACITOR	1	820UF 200V 20%
C12	2018996	AL'UM. E'LYTIC. CAP.	1	TP 220UF 35V +-20%
C13	2003140	FILM CAPACITOR	1	4700PF 50V 5%
C14	2001087	PLASTIC FILM CAPACITOR	1	2200PF 50V 5%
C15	2019000	FILM CAPACITOR	1	BL 1500PF 1.2KV +-5%
C2	X234511044	CERAMIC CAPACITOR	1	0.1UF 250V 20%
C3-C4	2005087	CERAMIC CAPACITOR	2	BL 4700PF 0V +-20%
C31-C81	X220222220	CERAMIC CAPACITOR	2	2200PF DC50V 10%
C51-C52	2003131	AL'UM. E'LYTIC. CAP.	2	2200UF 50V 20%

ESP0385/3

EPSON

FX2170

Page 4 of 16

REF.	PART.NO.	DESCRIPTION	QTY	STANDARD
C54	2005190	ELECTROLYTIC CAPACITOR	1	1000UF 6.3V 20%
C55	X236104010	FILM CAPACITOR	1	0.1UF 50V 5%
C56	2011481	ALUM. ELYTIC. CAP.	1	TP 33UF 16V +-20%
C57	2003109	ALUM. ELYTIC. CAP.	1	470UF 6.3V 20%
C58	2003142	FILM CAPACITOR	1	0.01UF 50V 5%
C59	X220223310	CERAMIC CAPACITOR	1	330PF DC50V 10%
C8	2011121	CERAMIC CAPACITOR	1	BL 2200PF 250V +-20%
C82	X224221031	CERAMIC CAPACITOR	1	0.01UF DC50V +80-20%
DB1	2018998	DIODE BRIDGE	1	600V 4A 0W
D1	2013050	DIODE	1	
D2	X320011449	DIODE	1	40V 0.6A 0.2W
D51	1013213	HEAT SINK	1	
D51	2011510	DIODE	1	100V 5 0W
D52	2004284	DIODE	1	200V 0.5A 0W
D55	2019126	DIODE	1	
D81-D86	X320011201	DIODE	6	SI 60V 150MA
F1	X502100100	FUSE HOLDER	1	
F1	2012329	FUSE	1	125V 315A 0.1A
IC1	2001638	VOLTAGE REGULATOR	1	
IC51	X440034940	LINEAR IC	1	POTENTIAL REG DIP
IC52	X440072920	IC	1	BIPOLAR DUAL COMPARATOR
L1	2019996	CHOKE COIL	1	20MH 1.4A
L51	2019837	CHOKE COIL	1	70MH 700MA
PC1	X350040081	PHOTO COUPLER	1	5V 500MA 100MW
Q1	X520000160	HEAT SINK	1	
Q1	2011115	FET	1	500V 5A
Q1-D51	B300204311	C.B.S. SCREW	2	M3X8
Q2	2000623	TRANSISTOR	1	50V 2A 900MW
Q3-Q53	X300101589	TRANSISTOR	2	PNP 50V 150MA 400MW
Q31	2018987	FET	1	30V 1A 1W
Q32	2018986	TRANSISTOR	1	50V 100MA 0W 56 0
Q51	X300168009	TRANSISTOR	1	PNP 50V 2A 900MW
Q54	X302181589	TRANSISTOR	1	NPN 50V 150MA 400MW
Q55	2018985	TRANSISTOR	1	50V 100MA 0W 0 0
Q81-Q82	2018984	TRANSISTOR	2	50V 100MA 0W 0 0
R1	2011119	CARBON FILM RESISTOR	1	TP 1MOHM 1/2W +-5%
R11	X155416212	CARBON FILM RESISTOR	1	620 OHM 1/4W 5%
R12	2003106	METAL FILM RESISTOR	1	0.39 OHM 2W 5%
R13-R21	X155414722	CARBON FILM RESISTOR	2	4.7K OHM
R14	X155415112	CARBON FILM RESISTOR	1	510 OHM 1/4W 5%
R15	X155411212	CARBON FILM RESISTOR	1	120 OHM 1/4W 5%
R16-R57	X155412712	CARBON FILM RESISTOR	2	270 OHM 1/4W 5%
R18	2011471	CARBON FILM RESISTOR	1	TP 150KOHM 1/2W +-5%
R19-R32	X155412032	CARBON FILM RESISTOR	2	20K OHM 1/4W 5%
R20-R64	X155412422	CARBON FILM RESISTOR	2	2.4K OHM 1/4W 5%
R22--R29	2012560	CARBON FILM RESISTOR	2	TP 1.2MOHM 1/2W +-5%
R31-R68	X155411032	CARBON FILM RESISTOR	2	10K OHM 1/4W 5%
R51	2003105	METAL OXIDE FILM RESISTOR	1	470 OHM 2W 5%
R53-R88	X155410102	CARBON FILM RESISTOR	2	1 OHM 1/4W 5%
R54-R82	X155412022	CARBON FILM RESISTOR	2	2K OHM 1/4W 5%
R55-R65	X155412032	CARBON FILM RESISTOR	2	20K OHM 1/4W 5%
R56	X155411512	CARBON FILM RESISTOR	1	150 OHM 1/4W 5%
R58-R66	X155412042	CARBON FILM RESISTOR	2	200K OHM 1/4W 5%
R59	X143194751	H/S M/FILM RES.	1	4.75K OHM 1/4W 1%
R60	X155414722	CARBON FILM RESISTOR	1	4.7K OHM
R61	X155413012	CARBON FILM RESISTOR	1	300 OHM 1/4W 5%
R63-R87	X155413622	CARBON FILM RESISTOR	2	3.6K OHM 1/4W 5%
R67	X155413022	CARBON FILM RESISTOR	1	3K OHM 1/4W 5%
R69-R71	X155411522	CARBON FILM RESISTOR	2	1.5K OHM 1/4W 5%

ESP0385/4

REF.	PART.NO.	DESCRIPTION	QTY	STANDARD
R70-R74	X155411032	CARBON FILM RESISTOR	2	10K OHM 1/4W 5%
R72	X155416222	CARBON FILM RESISTOR	1	6.2K OHM 1/4W 5%
R73-R89	X155411222	CARBON FILM RESISTOR	2	1.2K OHM 1/4W 5%
R75	X155412722	CARBON FILM RESISTOR	1	2.7K OHM 1/4W 5%
R81	X143198452	H/S M/FILM RES.	1	84.5KOHM 1/4W 1%
R83	X155415132	CARBON FILM RESISTOR	1	51K OHM 1/4W 5%
R84-R85	X155412032	CARBON FILM RESISTOR	2	20K OHM 1/4W 5%
R86	X155412742	CARBON FILM RESISTOR	1	270K OHM 1/4W 5%
R90	X155411222	CARBON FILM RESISTOR	1	1.2K OHM 1/4W 5%
R91	X155410102	CARBON FILM RESISTOR	1	1 OHM 1/4W 5%
TH1	2019006	THERMISTOR	1	
T1	2019020	TRANSFORMER	1	
ZD51-ZD54	2011463	ZENER DIODE	2	150MA 400MW 6.9V 7.2V
ZD52-ZD87	2018990	ZENER DIODE	2	
ZD53-ZD86	2011464	ZENER DIODE	2	150MA 400W 6.9V 7.2V
ZD55	2004320	ZENER DIODE	1	150MA 400MW 5.2W 5.6V
ZD81-ZD85	2011463	ZENER DIODE	5	150MA 400MW 6.9V 7.2V
CN1	2000295	CONNECTOR	1	2 PIN
CN2	2018864	HARNESS	1	
CN3	X600440120	CONNECTOR	1	3 PIN
C1	2001137	FILM CAPACITOR	1	0.47UF 250V 20%
C11	2019129	AL'UM. E'LYTIC. CAP.	1	BL 400UF 180V +-20%
C12	2018996	AL'UM. E'LYTIC. CAP.	1	TP 150UF 35V +-20%
C13	2003140	FILM CAPACITOR	1	370PF 50V 5%
C14	2001087	PLASTIC FILM CAPACITOR	1	2200PF 50V 5%
C15	2019005	FILM CAPACITOR	1	BL 750PF 1.5KV +-5%
C2	X234511044	CERAMIC CAPACITOR	1	0.1UF 250V 20%
C3-C4-C8	2011121	CERAMIC CAPACITOR	3	BL 220 0PF 250V +-20%
C31-C81	X220222220	CERAMIC CAPACITOR	2	2200PF DC50V 10%
C51--C52	2003131	AL'UM. E'LYTIC. CAP.	2	2200UF 50V 20%
C54	2005190	ELECTROLYTIC CAPACITOR	1	1000UF 6.3V 20%
C55	X236104010	FILM CAPACITOR	1	0.1UF 50V 5%
C56	2011481	AL'UM. E'LYTIC. CAP.	1	TP 33UF 16V +-20%
C57	2003109	AL'UM. E'LYTIC. CAP.	1	470UF 6.3V 20%
C58	2003142	FILM CAPACITOR	1	0.01UF 50V 5%
C59	X220223310	CERAMIC CAPACITOR	1	330PF DC50V 10%
C82	X224221031	CERAMIC CAPACITOR	1	0.01UF DC50V +80-20%
DB1	2010688	DIODE BRIDGE	1	
D1	2013050	DIODE	1	
D2	X320011449	DIODE	1	40V 0.6A 0.2W
D51	1013213	HEAT SINK	1	
D51	2011510	DIODE	1	100V 5A 0W
D52	2004284	DIODE	1	200V 0.5A 0W
D55	2019126	DIODE	1	
D81-D86	X320011201	DIODE	6	SI 60V 150MA
F1	X502100100	FUSE HOLDER	2	
F1	2019130	FUSE	1	250V 2A
IC1	2001638	VOLTAGE REGULATOR	1	
IC51	X440034940	LINEAR IC	1	BIPOLAR SWREG DIP
IC52	X440072920	IC	1	BIPOLAR DUAL COMPARATOR
L1	2019131	CHOKE COIL	1	15MH 800MA
L51	2019837	CHOKE COIL	1	470UH 700MA
PC1	2013130	PHOTO COUPLER	1	0V 0A 0W
Q1	X520000160	HEAT SINK	1	
Q1	2019003	FET	1	900V 3A 0W
Q1-D51	B300204311	C.B.S. SCREW	2	M3X8
Q2	2000623	TRANSISTOR	1	50V 2A 900MW
Q3-Q53	X300101589	TRANSISTOR	2	PNP 50V 150MA 400MW
Q31	2018987	FET	1	30V 1A 1W

EPSON

FX2170

Page 6 of 16

REF.	PART.NO.	DESCRIPTION	QTY	STANDARD
Q32	2018986	TRANSISTOR	1	50V 100MA 0W 56 0
Q51	X300168009	TRANSISTOR	1	PNP 50V 2A 900MW
Q54	X302181589	TRANSISTOR	1	NPN 50V 150MA 400MW
Q55	2018985	TRANSISTOR	1	50V 100MA 0W 0 0
Q81-Q82	2018984	TRANSISTOR	2	50V 100MA 0W 0 0
R1	2011119	CARBON FILM RESISTOR	1	TP 1MOHM 1/2W +-5%
R11	X155411022	CARBON FILM RESISTOR	1	1K OHM 1/4W 5%
R12	X120220626	METAL OXIDE FILM RESISTOR	1	0.62 OHM 2W 5%
R13-R21	X155414722	CARBON FILM RESISTOR	2	4.7K OHM
R14	X155415112	CARBON FILM RESISTOR	1	510 OHM 1/4W 5%
R15	X155411212	CARBON FILM RESISTOR	1	120 OHM 1/4W 5%
R16-R57	X155412712	CARBON FILM RESISTOR	2	270 OHM 1/4W 5%
R18-R28	2011471	CARBON FILM RESISTOR	2	TP 150KOHM 1/4W +-5%
R19-R32	X155412032	CARBON FILM RESISTOR	2	20K OHM 1/4W 5%
R20-R64	X155412422	CARBON FILM RESISTOR	2	2.4K OHM 1/4W 5%
R22-R29	2012559	CARBON FILM RESISTOR	2	TP 1.1MOHM 1/2W +-5%
R31-R68	X155411032	CARBON FILM RESISTOR	2	10K OHM 1/4W 5%
R51	2003105	METAL OXIDE FILM RESISTOR	1	470 OHM 1/2W 5%
R53-R88	X155410102	CARBON FILM RESISTOR	2	1 OHM 1/4W 5%
R54-R82	X155412022	CARBON FILM RESISTOR	2	2 OHM 1/4W 5%
R55-R65	X155412032	CARBON FILM RESISTOR	2	20K OHM 1/4W 5%
R56	X155411512	CARBON FILM RESISTOR	1	50 OHM 1/4W 5%
R58-R66	X155412042	CARBON FILM RESISTOR	2	200 OHM 1/4W 5%
R59	X143194751	H/S M/FILM RES.	1	3.7K OHM 1/4W 1%
R60	X155414722	CARBON FILM RESISTOR	1	4.7K OHM
R61	X155413012	CARBON FILM RESISTOR	1	300 OHM 1/4W 5%
R63-R87	X155413622	CARBON FILM RESISTOR	2	3.6K OHM 1/4W 5%
R67	X155413022	CARBON FILM RESISTOR	1	3K OHM 1/4W 5%
R69-R71	X155411522	CARBON FILM RESISTOR	2	1.5K OHM 1/4W 5%
R70-R74	X155411032	CARBON FILM RESISTOR	2	10K OHM 1/4W 5%
R72	X155416222	CARBON FILM RESISTOR	1	6.2K OHM 1/4W 5%
R73-R89	X155411222	CARBON FILM RESISTOR	2	1.2K OHM 1/4W 5%
R75	X155412722	CARBON FILM RESISTOR	1	2.7K OHM 1/4W 5%
R81	X143198452	H/S M/FILM RES.	1	84.5KOHM 1/4W 1%
R83	X155415132	CARBON FILM RESISTOR	1	51K OHM 1/4W 5%
R84-R85	X155412032	CARBON FILM RESISTOR	2	20K OHM 1/4W 5%
R86	X155412742	CARBON FILM RESISTOR	1	270K OHM 1/4W 5%
R90	X155411222	CARBON FILM RESISTOR	1	1.2K OHM 1/4W 5%
R91	X155410102	CARBON FILM RESISTOR	1	1 OHM 1/4W 5%
TH1--TH2	2019006	THERMISTOR	2	
T1	2019021	TRANSISTOR	1	
ZD51-ZD54	2011463	ZENER DIODE	2	150MA 400MW 6.9V 7.2V
ZD52-ZD87	2018990	ZENER DIODE	2	
ZD53-ZD86	2011464	ZENER DIODE	2	150MA 400W 6.9V 7.2V
ZD55	2004320	ZENER DIODE	1	150MA 400MW 5.2W 5.5V
ZD81-ZD85	2011463	ZENER DIODE	5	150MA 400MW 6.9V 7.2V
330	2018862	HARNESS	1	
400	2002364	PWR CABLE (VD31303SA-10A)	1	230V
400	2002365	PWR CABLE VD00303SA-10A	1	220V
400	2006741	PWR CABLE (BS31303SA-SR-10A)	1	240V
400	2008768	POWER CABLE	1	220V
400	2010468	AC CABLE	1	240V
400	2018866	POWER CABLE ASSY	1	
500	2020580	PRINTER MECH. (ASP)	1	M-3H60-100
501	1025190	FRAME ASSY. RIGHT	1	
502	1025376	FRAME ASSY. LEFT	1	
503	2019033	MOTOR CR	1	
504	1025199	RD ASSY.	1	
511	2019040	MOTOR PAPER FEED	1	

ESP0385/6

REF.	PART.NO.	DESCRIPTION	QTY	STANDARD
521	2019039	HARNESSE PG	1	
522	2003028	DETECTOR HP	1	
523	2019016	HARNESSE HP	1	
524	2014328	CONNECTOR SWITCH;B	4	
525	1025321	PAPER GUIDE	1	
526	1025322	SHAFT RELEASE	1	
527	2019010	HARNESSE PE FRONT	1	
528	2019009	HARNESSE PE REAR	1	
529	1025324	LEVER PE SUPPORT	1	
530	2019011	DETECTOR PE FRONT	1	0V 0A 0W
531	1005727	DETECTOR ASSY. REAR	1	
532	1005213	ROLLER PF DRIVEN LOWER	5	
533	1025249	ROLLER ASSY. PAPER FEED	5	
534	1005215	EXTENSION SPRING 70	5	
535	1025363	COMPRESSION SPRING 10.8	5	
536	1025192	CARRIAGE ASSY.	1	
538	1025344	COVER CR	1	
539	1025348	BUSHING 14	1	
541	1025246	TRACTOR ASSY. REAR	1	
542	1025293	TRACTOR LEFT	2	
543	1025294	TRACTOR RIGHT	2	
544	1025291	SHAFT TR DRIVE	2	
545	1025292	SHAFT TR GUIDE	2	
546	1025287	FRAME TR LEFT	1	
547	1025288	FRAME TR RIGHT	1	
548	1025289	LEVER TR LEFT REAR	1	
549	1025290	LEVER TR RIGHT REAR	1	
550	1025296	PAPER SUPPORT	2	
551	1025295	SPUR GEAR 20	4	
552	1025350	EXTENSION SPRING 15.7	1	
555	1025248	PAPER EJECT ASSY.	1	
556	1025301	COVER PAPER EJECT	1	
557	1025304	FRAME PAPER EJECT BASE	1	
558	1025302	FRAME PAPER EJECT LEFT	1	
559	1025303	FRAME PAPER EJECT RIGHT	1	
560	1025306	ROLLER PAPER EJECT DRIVEN	5	
561	1025310	SPUR GEAR 15	1	
562	1005245	SPUR GEAR 18	1	
564	1025305	ROLLER PAPER EJECT DRIVE	1	
565	1025203	ROLLER ASSY. PF DRIVE	1	
566	1025334	HOLDER HEAT CABLE	1	
567	2019013	CABLE HEAD LOWER	1	
568	2019014	CABLE HEAD UPPER	1	
569	1025355	BUSHING 8 LEFT	1	
570	1025284	PLATE	1	
571	F334005250	PLATEN GEAR	1	
572	1025285	BUSHING 8 RIGHT	1	
573	1025351	COVER PLATEN	1	
574	2018904	DETECTOR ASSY. PW	1	
575	1025345	RIBBON MASK	1	
576	1025352	PAPER GUIDE SUPPORT	1	
578	1025326	FRAME REAR	1	
579	1025327	FRAME FRONT	1	
580	1025328	FRAME SUB RIGHT	1	
581	1025329	SHAFT CR GUIDE REAR	1	
582	1025330	SHAFT CR GUIDE FRONT	1	
583	1025331	BUSHING PARALLEL ADJUST	1	
584	1025332	LEVER GAP ADJUST	1	
585	1025333	CAP LEVER	1	

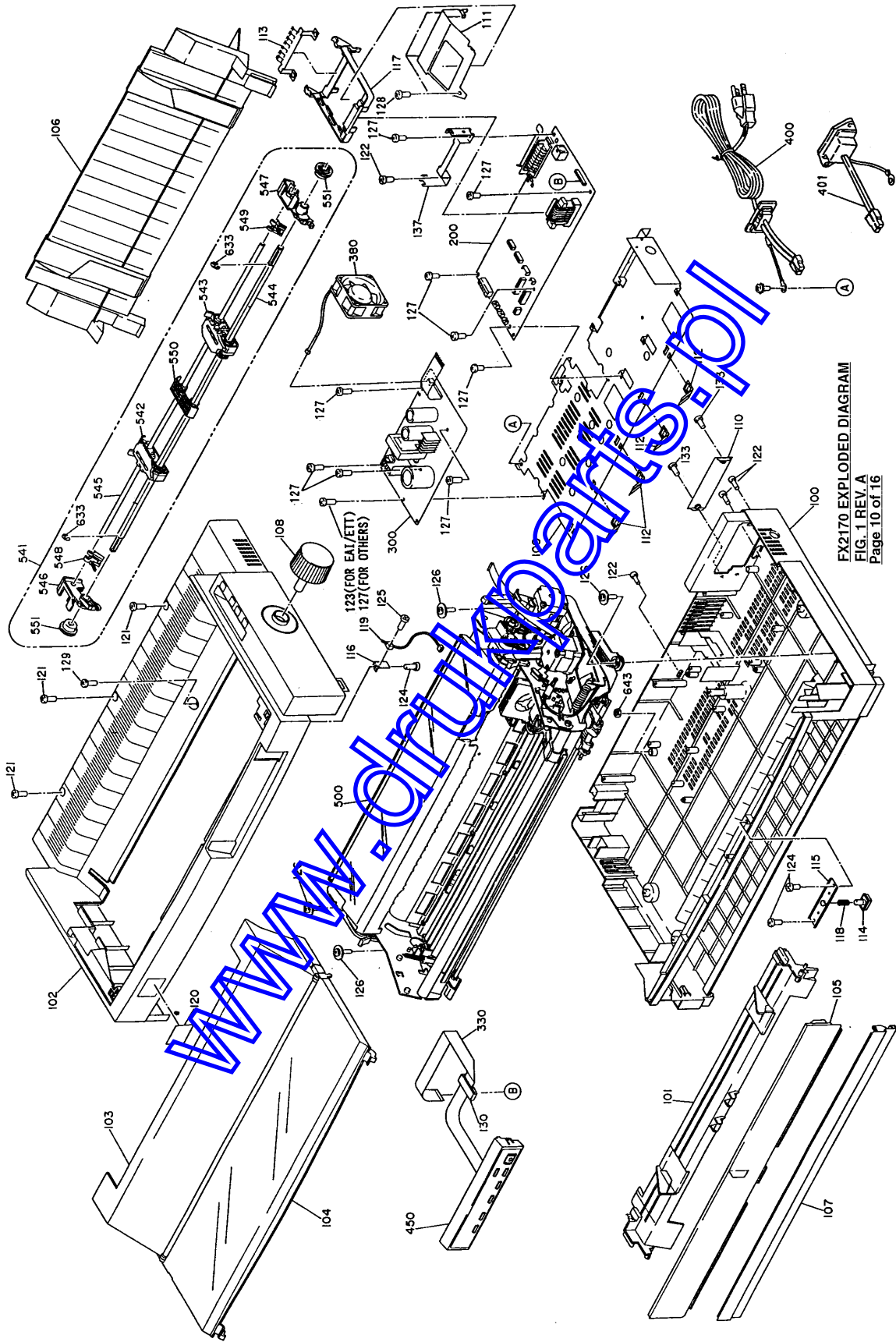
EPSON

FX2170

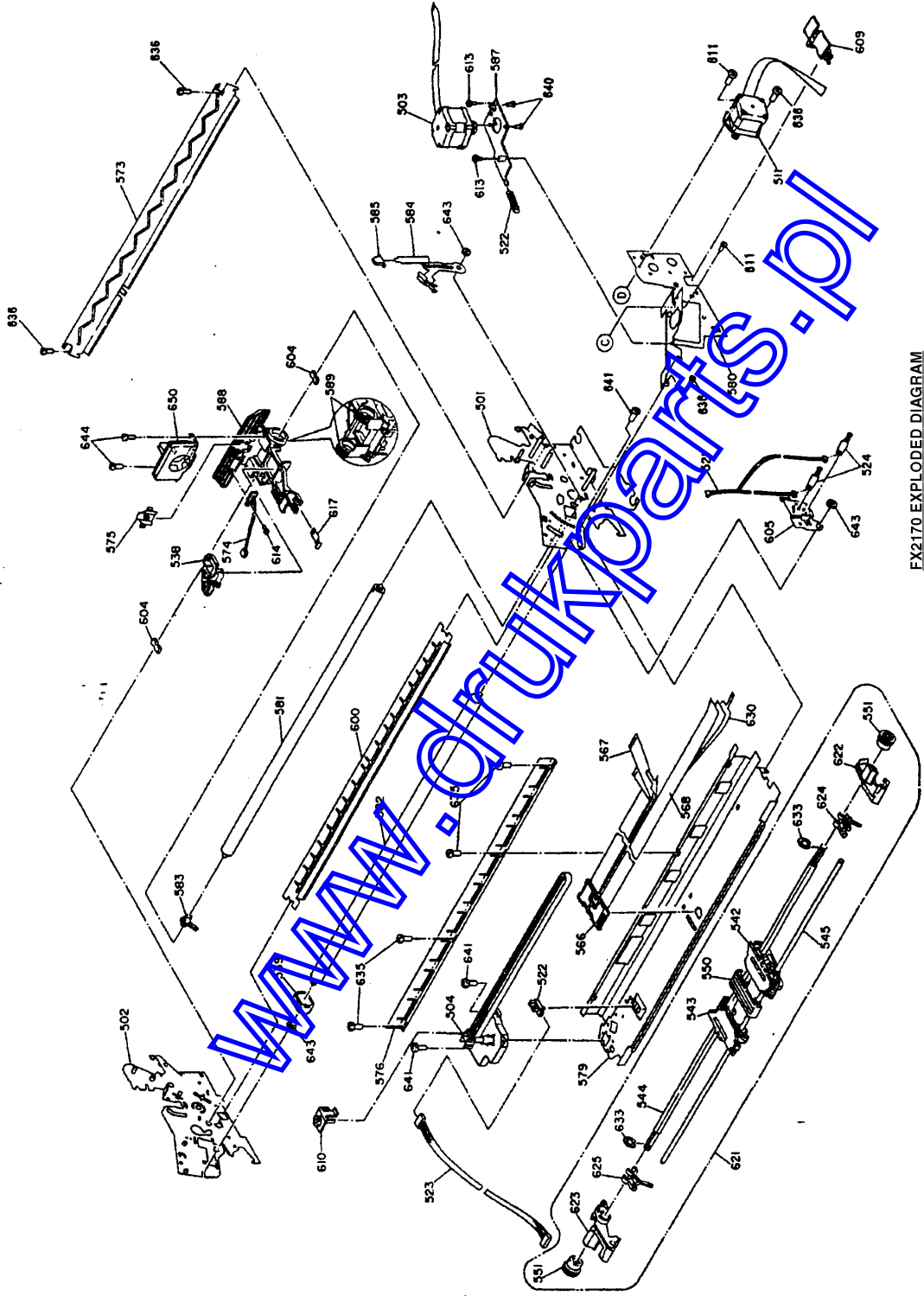
Page 8 of 16

REF.	PART.NO.	DESCRIPTION	QTY	STANDARD
586	1025374	SHEET RELEASE CAP	1	
587	1025349	MOUNTING PLATE MOTOR CR	1	
588	1025346	HOLDER RIBBON MASK	1	
589	1027101	OIL PAD LOWER	2	
590	1025361	LEVER RELEASE	1	
591	1005220	CAM CLUTCH TRACTOR	1	
592	1025335	BASE RUBBER	4	
593	1008716	COMBINATION GEAR 31 5 8	1	
594	1005224	SPUR GEAR 27	1	
595	1005225	SPUR GEAR 34.5	2	
596	1005226	SPUR GEAR 34	1	
597	B101253990	LEAF SPRING	1	8.2X0.25X15
597	1025279	SPUR GEAR 25	1	
598	1005218	INTERMEDIATE GEAR	1	
599	1025353	PAPER GUIDE MIDDLE	1	
600	1025354	PAPER GUIDE FRONT	1	
601	1005232	COMPRESSION SPRING 200	2	
602	1025360	SPUR GEAR 21	1	
603	1005844	LEVER RELEASE TRANSMISSION	1	
604	1025347	OIL PAD	2	
605	1025343	HOLDER DETECTOR PG	1	
606	1025364	LEVER RELEASE DETECTOR	1	
607	1025375	GROUNDING PLATE PG MIDDLE	1	
608	1026439	SHEET RELEASE CAP SUB	1	
609	1026551	HOLDER CABLE	1	
610	1026620	COVER DRIVEN PULLEY	1	
611	B010303411	C.B.SCREW	2	M3X8
612	1025311	GROUNDING PLATE PR EJECT	1	
613	1005416	SHAFT MOUNT CR	2	
614	B010302211	C.B.SCREW	1	M2.5X5
617	1025356	LEAF SPRING CR	1	
620	1025323	LEVER DETECTOR PE NEAR	1	
621	1025247	TRACTOR ASSY. FRONT	1	
622	1025287	FRAME TR LEFT	1	
623	1025288	FRAME TR RIGHT	1	
624	1025299	LEVER TR LEFT FRONT	1	
625	1025300	LEVER TR RIGHT FRONT	1	
626	1025325	TORSION SPRING 1.08	1	
627	1025307	HOLDER PAPER INJECT DRIVEN	5	
628	1025309	COMPRESSION SPRING 1.08	5	
629	1025308	HOLDER PAPER EJECT SPRING	5	
630	2019015	CABLE DETECTOR	1	
631	2019030	HARNESSE	1	
632	1026741	GUIDE PAPER EJECT	1	
633	B150300911	RETAINING RING	2	TYPE-E (6)
634	1001856	SPRING PIN	1	2X12
635	B302704211	C.P.S.P.S. SCREW	4	M3X6
636	B300204211	C.B.S. SCREW	9	M3X6
637	B100166012	PLAIN WASHER	3	8X0.5X15
638	B160101412	RETAINING RING	5	TYPE-C
639	1006901	C.B.C-LAMITITE	2	M3X8
640	B010303311	C.B.SCREW	2	M3X6
641	B300204311	C.B.S. SCREW	3	M3X8
642	1019830	C.F.P-TITE SCREW 2.6X8 F/ZN	5	
643	B070200411	HEXAGON NUT	3	M4
644	B300204411	C.B.S. SCREW	2	M3X10
650	F051000	PRINT HEAD DH18-0B0	1	

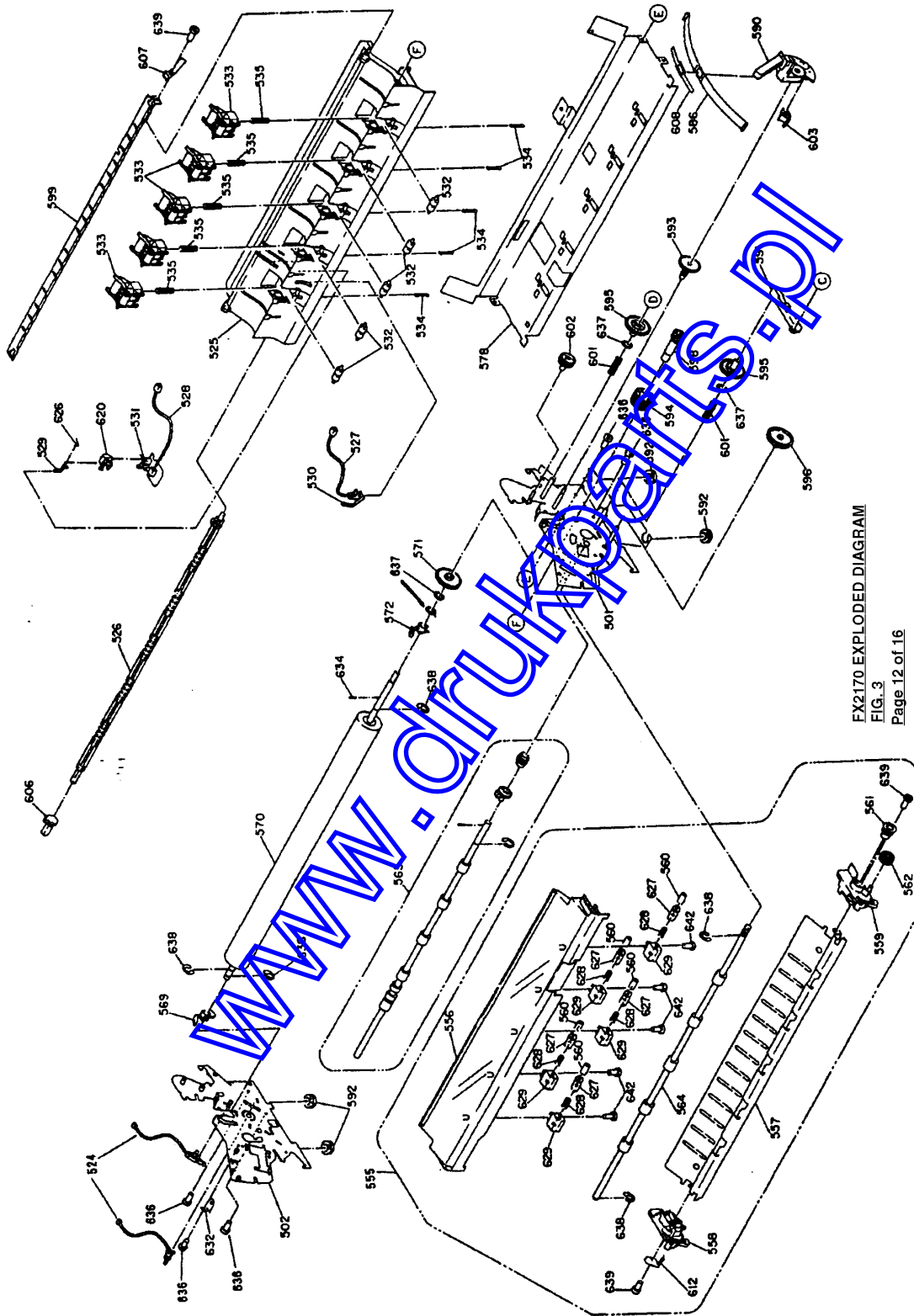
ESP0385/8



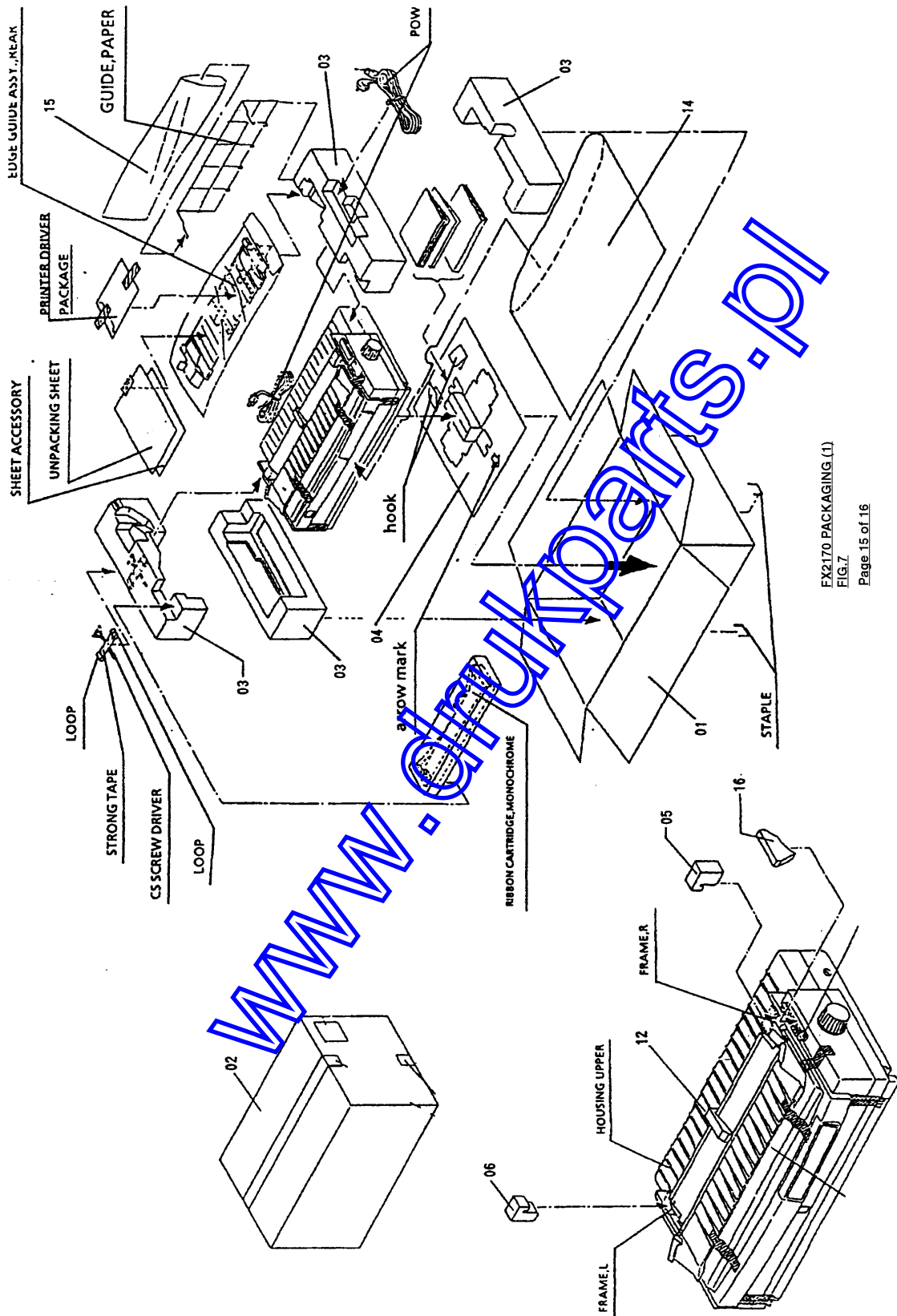
FX2170 EXPLODED DIAGRAM
FIG. 1 REV. A
Page 10 of 16



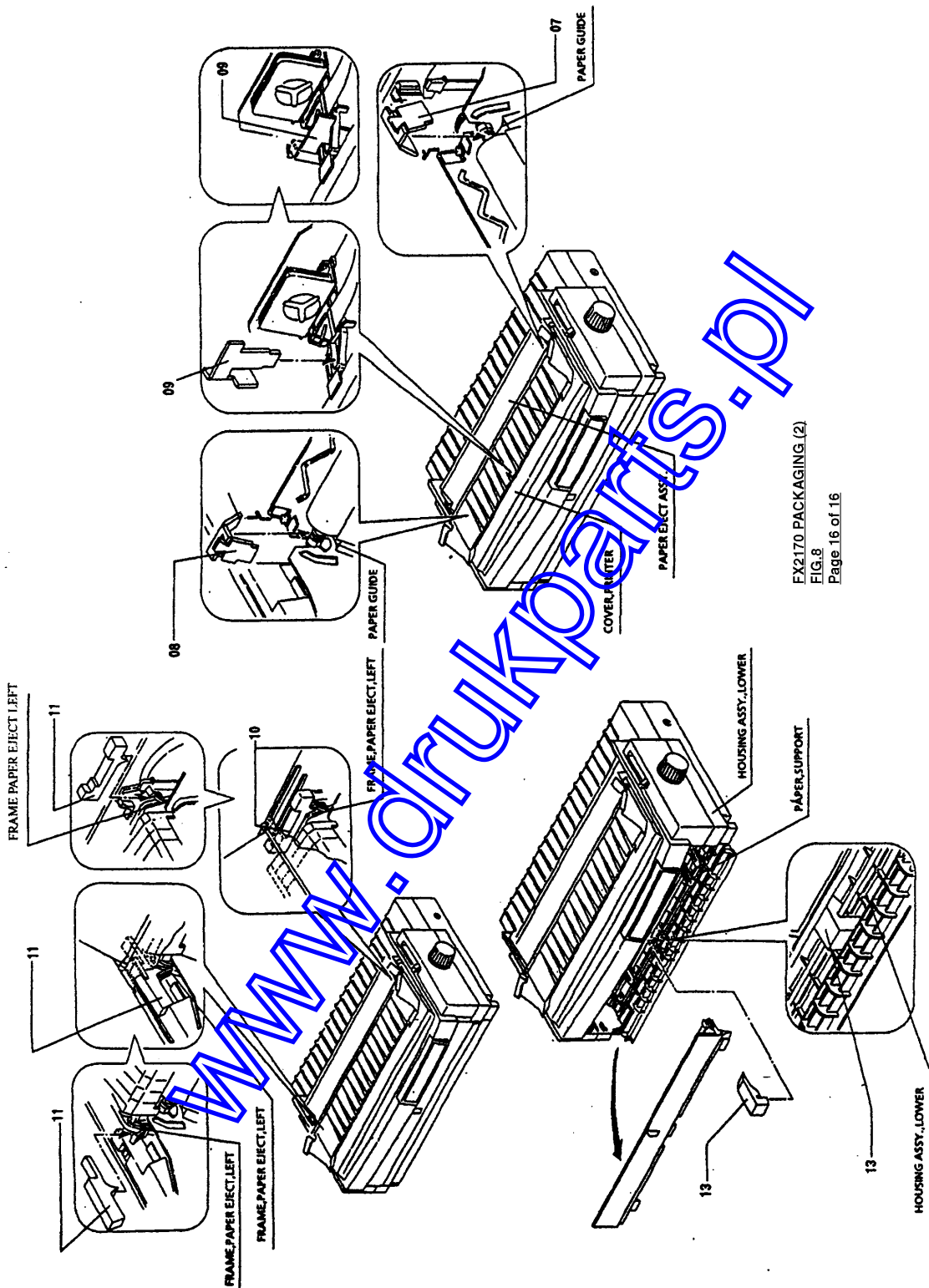
EX2170 EXPLODED DIAGRAM
FIG. 2
Page 11 of 16



FX2170 EXPLODED DIAGRAM
FIG. 3
Page 12 of 16



EX2170 PACKAGING (1)
FIG.7
Page 15 of 16



EX2170 PACKAGING (2)
FIG. 8
Page 16 of 16