

EPSON FX1180

(**BOLD TYPE INDICATES IMNPORANT ITEMS**)

Page 1

REF	PART NO.	DESCRIPTION	REMARKS	QTY
100	1038522	HOUSING ASSY, LOWER		1
101	1004605	FOOT		2
102	1038523	HOUSING ASSY., UPPER		1
104	1038533	COVER ASSY., PRINTER		1
105	1038510	RING		1
106	1038525	SHEET GUIDE ASSY., REAR		1
107	1038524	COVER ASSY., FRONT		1
108	1039337	KNOB		1
109	1036515	SHIELD PLATE, UPPER		1
110	1036517	SHIELD PLATE;B		1
111	1036514	SHIELD PLATE		1
112	1005480	GROUNDING PLATE		4
113	1037281	GROUNDING PLATE, UPPER		1
115	1037223	COVER, CONNECTOR, UPPER	ECW	1
116	1038511	MOUNT, HOUSING		1
117	1039348	GUIDE, I/F BOARD;W		1
118	1039334	HOLDER, SHEET GUIDE, LEFT		1
119	1039335	HOLDER, SHEET GUIDE, RIGHT		1
120	1039511	LOGO PLATE		1
122	B045800115	C.B.(O) SCREW 4X8 F/ZG	4X8 F/ZG	1
123	B300204211	C.B.S. SCREW	M3X6	6
125	B300200111	C.B.S. SCREW	M3X4	5
126	1024145	C.B.P.SCREW, 4X12, F/ZN		2
127	1003164	C.B.P-TITE SCREW, 3X12, F/ZN		10
128	1002674	C.B.S-TITE SCREW	M3X12	2
129	1009376	RIVET B-TITE(SCREW TYPE)	3X12 F/ZN	1
132	1036516	GROUNDING PLATE, I/F		1
133	1011863	GROUNDING PLATE, I/F, UPPER		1
135	1039332	SUPPORT, FRAME, SHEET GUIDE, SUB		1
137	1037280	GROUNDING PLATE, BOTTOM		1
138	1037719	LABEL, CAUTION, FOR MOTOR		1
140	1025409	PRINTER MECH. MOUNTING SCREW		4
200	2025279	BOARD ASSY., MAIN (WITHOUT IC7)		1
IC7	2028023	MASK ROM	4M BIT	1
CN1	2013284	CONNECTOR 57REF 20360-830B(D7B)	36,	1
CN11	2003680	CONNECTOR	2,	1
CN12	2023817	CONNECTOR	12,	1
CN2	1025510	GROUNDING PLATE, I/F		1
CN2	2007160	CONNECTOR	36PIN	1
CN3	2019814	CONNECTOR	10,	1
CN4	X600440160	CONNECTOR	2 PIN	1
CN44	2023404	AL'UM. EL'LYTIC. CAP.	TP,100UF,50V,+,-20%,	1
CN5	X600440300	CONNECTOR	3 PIN	1
CN6	2005678	CONNECTOR	2,	1
CN7	2025408	CONNECTOR	16,	1
CN8	2017936	CONNECTOR	4,	1
CN9	2005108	CONNECTOR	5 PIN	1
C1,C3,C4	2017467	CHIP CAPACITOR		3
C15,C17	2017467	CHIP CAPACITOR		2
C16	X285122201	CERAMIC CAPACITOR	22PF 50V 5%	1
C18,C19	2018745	CHIP CAPACITOR		2
C2	X285322221	CERAMIC CAPACITOR	2200PF 50V 5% TP	1
C20,C22	2017467	CHIP CAPACITOR		2
C21,C23	2018745	CHIP CAPACITOR		2
C24	2018745	CHIP CAPACITOR		1
C25-C28	2017467	CHIP CAPACITOR		4

EPSON FX1180

Page 2

REF	PART NO.	DESCRIPTION	REMARKS	QTY
C29,C30	X275124711	CHIP CAPACITOR		2
C31,C35	X285322221	CERAMIC CAPACITOR	2200PF 50V 5% TP	2
C32,C33	2017467	CHIP CAPACITOR		2
C36,C37	2017467	CHIP CAPACITOR		2
C38,C42	2005424	CHIP CAPACITOR	4700 PF 50V 10% TP	2
C40,C43	X275124711	CHIP CAPACITOR		2
C41,C45	2017467	CHIP CAPACITOR		2
C46,C48	2025398	CHIP CAPACITOR	TP,470PF,200V,+10%,	2
C47,C54	2017467	CHIP CAPACITOR		2
C49,C53	2025212	AL'UM. EL'LYTIC. CAP.	TP,220UF,50V,+20%,	2
C50,C52	2025398	CHIP CAPACITOR	TP,470PF,200V,+10%,	2
C51	2023405	AL'UM. EL'LYTIC. CAP.	TP,10UF,50V,+20%,	1
C6-C14	X285322221	CERAMIC CAPACITOR	2200PF 50V 5% TP	9
DR73,R77	2011801	METAL OXIDE FILM RESISTOR	TP,0.51OHM,2W,+5%,	5
D11-D15	2013883	DIODE		5
D17-D19	2017977	DIODE		3
D20-D24	2026197	DIODE		5
D25	2017977	DIODE		1
D26-D34	2025366	DIODE		9
D3	2006214	SWITCHING DIODE		1
IC1	2024299	RESET IC		1
IC11	2025169	HIC		1
IC12	2012489	COMPARATOR		1
IC2	2025363	GATE ARRAY		1
IC3	2013945	MICROCONTROLLER, TMP96C141AF-20	8,	1
IC4Q	2014691	P-ROM TCD09	1M BIT	1
IC5	2016149	PS-RAM, TC518128CFL-80	1M BIT,80NS,32,	1
IC7	X630113230	IC SOCKET	32 PIN	1
IC8	2000592	HYBRID IC SLA7024M		1
IC9	X422350069	TTL-IC SN74LS06NS-TPL		1
Q11-Q15	2009984	TRANSISTOR		5
Q16-Q20	2013876	TRANSISTOR	-50V,-500MA,150MW,70,24	5
Q2-Q10	2026266	TRANSISTOR	50V,5A,0W,3000,0,	9
RM1,	2021627	CHIP RESISTOR ARRAY	TP,3.3KOHM,1/16W,+5%,	1
RM11-RM17	2021621	CHIP RESISTOR ARRAY	TP,47OHM,1/16W,+5%,	7
RM18,RM19	2025378	CHIP RESISTOR	TP,3.3KOHM,1/10W,+5%,	1
RM2	2021626	CHIP RESISTOR ARRAY	TP,1KOHM,1/16W,+5%,	1
RM20-RM22	2021621	CHIP RESISTOR ARRAY	TP,47OHM,1/16W,+5%,	3
RM23,RM24	2021620	CHIP RESISTOR ARRAY	TP,33OHM,1/16W,+5%,	2
RM25,RM26	2021622	CHIP RESISTOR ARRAY	TP,68OHM,1/16W,+5%,	2
RM28	2021622	CHIP RESISTOR ARRAY	TP,68OHM,1/16W,+5%,	1
RM3-RM5	2021627	CHIP RESISTOR ARRAY	TP,3.3KOHM,1/16W,+5%,	3
RM6	2021630	CHIP RESISTOR ARRAY	TP,10KOHM,1/16W,+5%,	1
RM8-RM10	2021627	CHIP RESISTOR ARRAY	TP,3.3KOHM,1/16W,+5%,	3
R1	2008124	CHIP RESISTOR	200 OHM 1/8W 5%	1
R11-R13	2025370	CHIP RESISTOR	TP,1KOHM,1/10W,+5%,	3
R14-R18	2025371	CHIP RESISTOR	TP,10KOHM,1/10W,+5%,	2
R19,R22	2025370	CHIP RESISTOR	TP,1KOHM,1/10W,+5%,	2
R2-R4	2025370	CHIP RESISTOR	TP,1KOHM,1/10W,+5%,	3
R23	2025378	CHIP RESISTOR	TP,3.3KOHM,1/10W,+5%,	1
R24,R27	2025831	MASK ROM, M80B86CA	8M BIT	2
R25,R94	2025369	CHIP RESISTOR	TP,100OHM,1/10W,+5%,	2
R28	2025831	MASK ROM, M80B86CA	8M BIT	1
R32	2007180	CHIP RESISTOR	5.1K OHM 1/2W 5%	1
R33,R34	X120220686	METAL OXIDE FILM RESISTOR	0.68 OHM 2W 5%	2
R52,R57	2025370	CHIP RESISTOR	TP,1KOHM,1/10W,+5%,	2

EPSON FX1180

Page 3

REF	PART NO.	DESCRIPTION	REMARKS	QTY
R55	2011800	CHIP RESISTOR	TP,16KOHM,1/4W,+5%,	1
R80	X193211012	CHIP RESISTOR	100 OHM 1/2W 5%	1
ZD1	2026808	ZENER DIODE		1
300	2025283	BOARD ASSY., POWER SUPPLY 240V		1
CN1	2000295	CONNECTOR	2 PIN	1
CN2	2025337	HARNESS		1
C1	2024258	EILM CAPACITOR 240V	BL,0.47UF,250V,+20%,	1
C11	2025420	AL'UM. EL'LYTIC. CAP. FOR 240V	BL,150UF,400V,+20%,	1
C12	2018996	AL'UM. EL'LYTIC. CAP.	TP,220UF,35V,+20%,	1
C13	2025415	FILM CAPACITOR	TP,4700PF,50V,+5%,	1
C14	2025414	FILM CAPACITOR	TP,2200PF,50V,+5%,	1
C15	2019005	FILM CAPACITOR FOR 240V	BL,750PF,50V,+5%,	1
C2	X234511044	CERAMIC CAPACITOR	0.1UF 250V 20%	1
C3,C4	2022167	CERAMIC CAPACITOR FOR 240V	BL,2200PF,250V,+20%,	2
C31,C81	2025412	CERAMIC CAPACITOR	TP,2200PF,50V,+10%,	2
C51,C52	2023812	AL'UM. EL'LYTIC. CAP.	BL,2200UF,50V,+20%,	2
C54	2023653	ELECTROLYTIC CAPACITOR	TP,1000UF,6.3V,+20%,	1
C55	2025417	FILM CAPACITOR	TP,0.47UF,50V,+5%,	1
C57	2020047	AL'UM. EL'LYTIC. CAP.	TP,470UF,6.3V,+20%,	1
C58	2025413	FILM CAPACITOR	TP,0.01UF,50V,+5%,	1
C59	2025416	CERAMIC CAPACITOR	TP,330PF,50V,+10%,	1
C8	2022167	CERAMIC CAPACITOR	BL,2200PF,250V,+20%,	1
DB1	2018998	DIODE BRIDGE	600V,4A,0W,	1
D1	2013050	DIODE		1
D2	X320011449	DIODE	40V 0.6A 0.2W	1
D51	1019237	HEAT SINK		1
D51	2025137	DIODE		1
D52	2020006	DIODE		1
D55	X320010390	DIODE		1
D81-D83	X320011201	DIODE	SI 60V 150MA	3
F1	2019130	FUSE FOR 240V	250V,2A,	1
F1	2025244	FUSE HOLDER	0A,	1
IC1	2001638	VOLTAGE REGULATOR		1
IC51	X440064940	LINEAR IC	BIPOLAR MODURATION	1
J1-J3	1001292	JUMPER WIRE		3
J51-J60	1001292	JUMPER WIRE		10
L1	2023654	LINE FILTER	14MH,1.5A,	1
L51	2023139	INDUCTOR	470UH,1A,	1
PC1,PC2	2017249	PHOTO COUPLER 240V	0V,0MA,0W,	2
Q1	1019118	HEAT SINK		1
Q1	2023651	FUSE FOR 240V	900V,3A,40W,	1
Q1,Q51	B30020431	C.B.S. SCREW	M3X8	2
Q2	200062	TRANSISTOR	50V 2A 900MW	1
Q3,Q53	X360107539	TRANSISTOR	PNP 50V 150MA 400MW	2
Q31	2022418	FET	30V,1.5A,0W,	1
Q32	2018986	TRANSISTOR	50V,100MA,0W,56,0,	1
Q51	X300168009	TRANSISTOR, 2SA1680-TPE6	PNP 50V 2A 900MW	1
Q54	X302181589	TRANSISTOR	NPN 50V 150MA 400MW	1
Q55,Q81	2018985	TRANSISTOR	50V,100MA,0W,0,0,	2
Q87	2018984	TRANSISTOR	50V,100MA,0W,0,0,	1
R1,R31	2020020	CARBON FILM RESISTOR FOR 240V	TP,910KOHM,1/2W,+5%,	2
R11	X155418212	CARBON FILM RESISTOR	820 OHM 1/4W 5%	1
R12	X120220626	METAL OXIDE FILM RESISTOR FOR 240V	0.62 OHM 2W 5%	1
R13,R21	X155414722	CARBON FILM RESISTOR	4.7K OHM	2
R14	X155415112	CARBON FILM RESISTOR	510 OHM 1/4W 5%	1
R15	X155411212	CARBON FILM RESISTOR	120 OHM 1/4W 5%	1

EPSON FX1180

Page 4

REF	PART NO.	DESCRIPTION	REMARKS	QTY
R16,R57	X155412712	CARBON FILM RESISTOR	270 OHM 1/4W 5%	2
R18	2010323	CARBON FILM RESISTOR	300K OHM 1/2W 5%	1
R18	2020620	CARBON FILM RESISTOR FOR 240V	TP,220KOHM,1/2W,+5%,	1
R19,R60	X155412032	CARBON FILM RESISTOR	20K OHM 1/4W 5%	2
R20,R64	X155412422	CARBON FILM RESISTOR	2.4K OHM 1/4W 5%	2
R22,R29	2025419	CARBON FILM RESISTOR FOR 240V	TP,1.3MOHM,1/2W,+5%,	2
R32	X155413932	CARBON FILM RESISTOR	39K OHM 1/4W 5%	1
R33	X155411042	CARBON FILM RESISTOR	100K OHM 1/4W 5%	1
R51	2003105	METAL OXIDE FILM RESISTOR	470 OHM 2W 5%	1
R53,R83	X155410102	CARBON FILM RESISTOR	1 OHM 1/4W 5%	2
R56	X155411512	CARBON FILM RESISTOR	150 OHM 1/4W 5%	1
R566	X155410102	CARBON FILM RESISTOR	1 OHM 1/4W 5%	1
R58,R66	X155412042	CARBON FILM RESISTOR	200K OHM 1/4W 5%	2
R59	X143194751	HIGH STAB. M/F RES.	4.75K OHM 1/4W 1%	1
R61	X155413012	CARBON FILM RESISTOR	300 OHM 1/4W 5%	1
R63	X155413622	CARBON FILM RESISTOR	3.6K OHM 1/4W 5%	1
R65,R87	X155412032	CARBON FILM RESISTOR	20K OHM 1/4W 5%	2
R67	X155413022	CARBON FILM RESISTOR	3K OHM 1/4W 5%	1
R68-R70	X155411032	CARBON FILM RESISTOR	10K OHM 1/4W 5%	3
R71,R84	X155411522	CARBON FILM RESISTOR	1.5K OHM 1/4W 5%	2
R72	X155416222	CARBON FILM RESISTOR	6.2K OHM 1/4W 5%	1
R73	X155411222	CARBON FILM RESISTOR	1.2K OHM 1/4W 5%	1
R74,R82	X155411032	CARBON FILM RESISTOR	10K OHM 1/4W 5%	2
R75	X155412722	CARBON FILM RESISTOR	7K OHM 1/4W 5%	1
R81	X143198452	HIGH STAB. M/F RES.	84.5K OHM 1/4W 1%	1
R85	X155411522	CARBON FILM RESISTOR	1.5K OHM 1/4W 5%	1
TH1	2023657	THERMISTOR		1
T1	2020076	TRANSFORMER 240V		1
ZD31	2020012	ZENER DIODE		1
ZD51,ZD54	2011463	ZENER DIODE	150MA 400MW 6.9V 7.2V	2
ZD51,ZD86	2025411	ZENER DIODE		2
ZD53	2023648	ZENER DIODE		1
ZD55	2004320	ZENER DIODE	150MA 400MW 5.2W 5.5V	1
ZD81-ZD85	2011463	ZENER DIODE	150MA 400MW 6.9V 7.2V	5
330	2018862	HARNES		1
373	2018028	HARNES FOR 240V		1
380	2021422	FAN		1
400	2006175	POWER CABLE ASSY		1
400	2018866	POWER CABLE ASSY		1
450	1039364	HOUSING ASSY.		1
500	2027947	PRINTER MECHANISM, M-3J60-100		1
501	1038771	FRAME ASSY. RIGHT		1
502	1036532	FRAME ASSY. LEFT		1
503	2025265	MOTOR, CA	DC3.24V/1.2A/3.88W ST	1
504	1038571	RD ASSY.		1
505	1025335	BASE RUBBER		4
510	1006827	GROUNDING PLATE, PAPER EJECT		1
511	2026522	MOTOR, PF	DC6.4V/0.4A/2.56W ST	1
521	2026508	HARNES, PG		1
522	2004004	DETECTOR, HP		1
523	2026507	HARNES, HP		1
524	2014328	CONNECTOR SWITCH;B		2
525	1038498	PAPER GUIDE		1
526	1005217	SHAFT, RELEASE		1
527	2026505	HARNES, PE, FRONT		1
528	2026506	HARNES, PE, REAR		1

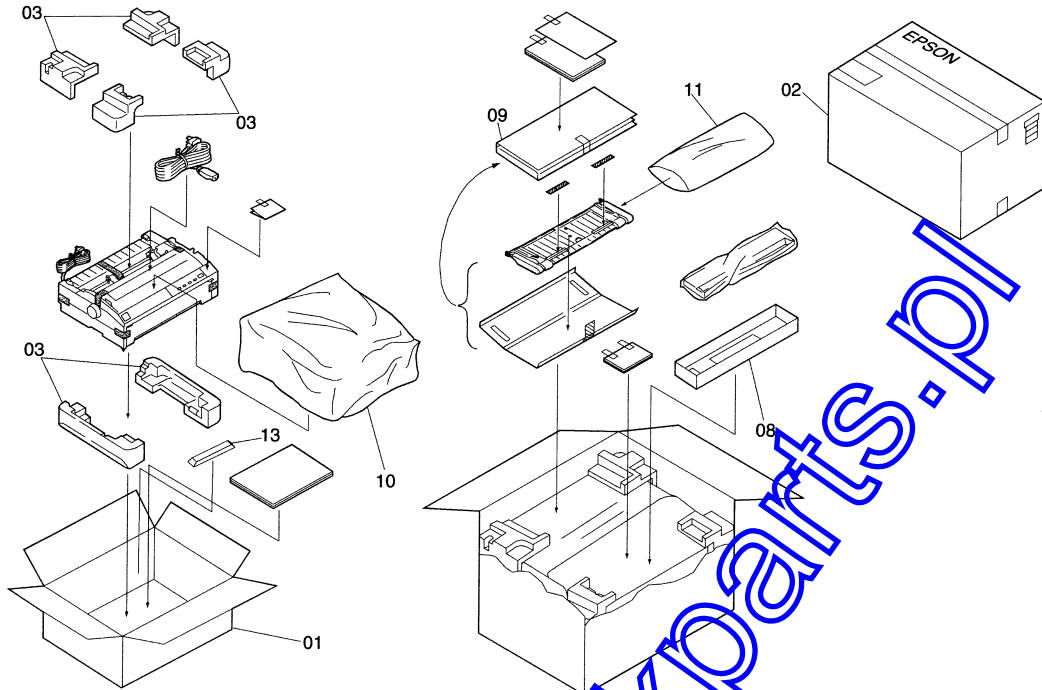
EPSON FX1180

Page 5

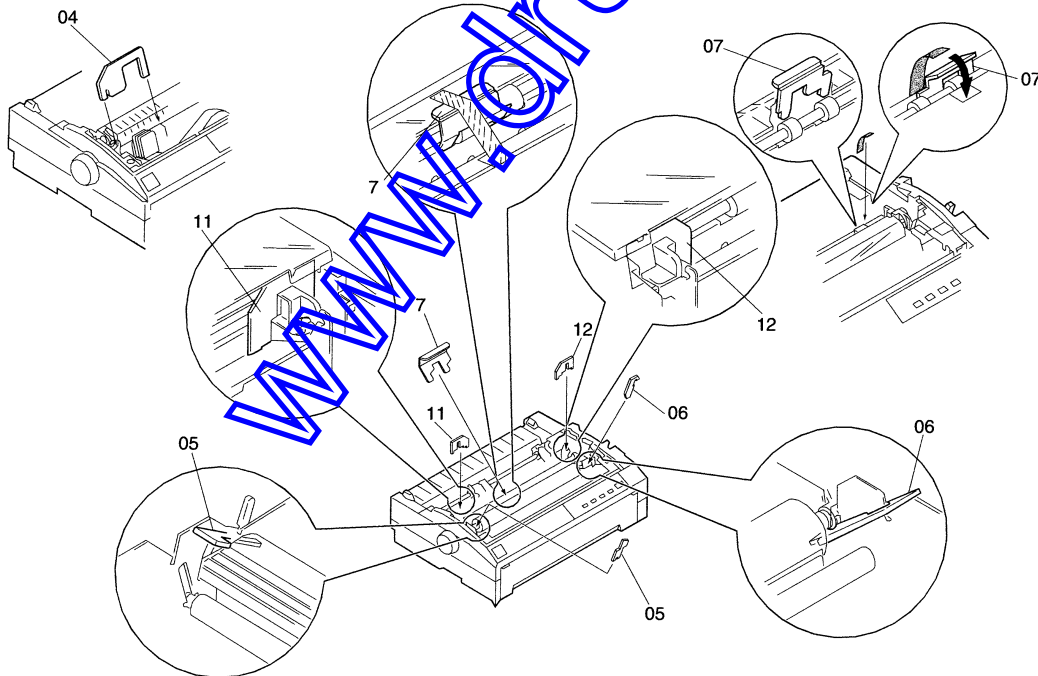
REF	PART NO.	DESCRIPTION	REMARKS	QTY
529	2025897	HARNES, RE		1
530	2019011	DETECTOR, PE, FRONT	0V,0A,0W,	1
531	1005727	DETECTOR ASSY., REAR		1
532	1005213	ROLLER, PF, DRIVEN, LOWER		4
533	1005282	ROLLER ASSY., PF		4
534	1005215	EXTENSION SPRING, 70		3
535	1005214	COMPRESSION SPRING, 1000		4
536	1038770	CARRIAGE ASSY.		1
541	1038519	TRACTOR ASSY.		1
542	1039341	TRACTOR, LEFT;W		1
543	1039342	TRACTOR, RIGHT;W		1
544	1038503	SHAFT, TR, DRIVE		1
545	1005251	SHAFT, TR, GUIDE		1
546	1039351	FRAME, TR, LEFT;W		1
547	1039352	FRAME, TR, RIGHT;W		1
548	1039353	LEVER, TR, LEFT;W		1
549	1039354	LEVER, TR, RIGHT;W		1
550	1025296	PAPER SUPPORT		1
551	1039507	SPUR GEAR, 20		2
552	B150300911	RETAINING RING	TYPE-E(6)	2
553	1038560	PLAIN WASHER, 8.2X0.5X12, L/NA		2
556	1005235	COVER, PAPER EJECT		1
557	1008701	FRAME, PAPER EJECT, BASE		1
558	1039349	FRAME, PAPER EJECT, LEFT;W		1
559	1039350	FRAME, PAPER EJECT, RIGHT;W		1
560	1005243	LEAF SPRING, PAPER EJECT, DOUBLE		1
561	1005244	SPUR GEAR, 15		1
562	1005245	SPUR GEAR, 18		1
563	1005514	LEAF SPRING, PAPER EJECT, SINGLE		1
564	1038502	ROLLER, EJ, DRIVE		1
565	1006901	C.B.C-LAMITITE	M3X8	2
568	2026504	CABLE, HEAD		1
569	1038516	ROLLER ASSY., DRIVE		1
570	1038499	PLATEN		1
571	1025355	BUSHING, LEFT		1
572	1025285	BUSHING, RIGHT		1
573	1038500	COVER, PLATEN		1
575	1036497	RIBBON MASK		1
576	1014603	PAPER GUIDE ASSY., SUPPORT		1
577	1038558	GUIDE, PAPER LOAD		1
578	1038494	FRAME, REAR		1
579	1038493	FRAME, FRONT		1
580	1036486	FRAME, SUB, RIGHT		1
581	1037282	GROUNDING PLATE MECHANISM, BOTTOM		1
582	1038497	SHAFT, CR, GUIDE		1
583	1005172	BUSHING, PARALLEL, ADJUST		1
584	1036494	LEVER, GAP, ADJUST		1
585	1039356	CAP, LEVER;W		1
586	1036501	GROUNDING PLATE, MECHA		2
587	1005185	MOUNTING PLATE, MOTOR, CR		1
588	1010896	HOLDER, RIBBON MASK		1
589	1038496	OIL PAD		1
590	1039355	LEVER, RELEASE;W		1
591	1005220	CAM, CLUTCH, TRACTOR		1
592	1036498	HOLDER, CABLE		1
593	1008716	COMBINATION GEAR, 31, 5, 8		1

EPSON FX1180

Page 8



PACKING MATERIALS FOR FX-1180(1)



PACKING MATERIALS FOR FX-1180(2)