

EPSON

EPL-6200L

SHOWING EXTRA PARTS AVAILABLE FROM JANUARY 2004

REFER TO SEPARATE SPARES GUIDES FOR OPTIONS C802042 (500-SHEET CASSETTE UNIT)& C802051 (DUPLEX UNIT)

REF.	PART NO	DESCRIPTION	SPECIFICATION	QTY
01-12	1268420	COVER	4136-1212-03	1
01-13	1268421	LENS	4136-1240-01	1
01-14	2085160	PWB ASSY	4136-0106-02	1
01-15	1268422	BRACKET	4136-2362-02	1
01-16	2084579	HARNESS	4136-6822-01	1
01-18	1268424	COVER	4136-1233-01	1
01-20	1268426	TRAY	4136-1227-03	1
01-22	1268429	TOP COVER	4136-1221-02	1
01-24	1268432	COVER	4136-1230-02	1
01-26	1268435	COVER	4136-1234-01	1
01-28	1268437	COVER	4136-1223-02	1
01-29	1268441	LEVER	4136-1021-01	1
01-30	1268443	COVER	4136-1020-01	1
01-31	1268445	TRAY	4136-1228-01	1
01-100	1058403	LOGO PLATE 10X40MM		1
02-02	1268527	TOP COVER ASSY	4136-0772-00	1
02-04	1268529	COVER	4136-1236-01	1
02-05	1268420	COVER	4136-1212-03	2
02-06	1090621	ROLL	4127-5707-01	2
02-10	1268532	GEAR	4136-3711-01	1
02-11	1268533	WASHER	4111-2531-01	1
02-12	2036345	SOLID STATE SWITCH	9555-1910-41	1
02-13	1268534	ACTUATOR	4136-5518-02	1
02-14	1268539	TORSION SPRING	4136-3716-01	1
02-15	1268547	HOUSING	4136-5505-05	1
02-16	1268550	PRESSURE SPRING	4136-5517-02	2
02-17	1104888	BUSHING	4127-5571-01	2
02-18	2085163	FUSING UNIT 230V	4136-0767-00	1
02-19	1268554	ROLLER	4136-5502-01	1
02-20	2085726	WIRE HARNESS ASSY	4136-6801-02	1
02-21	2086063	TERMINAL	4136-5524-01	1
02-22	1268561	GEAR	4136-5512-02	1
02-23	1268562	BUSHING	4136-5521-02	1
02-24	1263036	SEPARATOR	4127-5533-03	4
02-25	1268563	ROLLER	4136-5501-01	1
02-26	2086064	TERMINAL	4136-5526-01	1
02-27	1042716	PRESSURE SPRING	4109-5516-01	4
02-28	2085728	THERMISTOR	4136-6702-01	1
02-29	1268567	GUIDE	4136-5503-03	1
02-30	1268570	BRUSH	4136-5531-01	1
02-31	1268572	HOUSING	4136-5508-04	1
02-32	1268573	SPRING	4136-5535-01	1
02-33	2086065	CONTACT	4136-5527-01	1
02-34	2086066	CONTACT	4136-5528-01	1
02-35	2086073	RESISTOR	9454-4076-02	1
02-36	1268586	BUSHING	4136-5522-02	1
02-37	2086074	TERMINAL	4136-5525-01	1
02-38	2085731	HEATER 220V	4136-6503-01	1
02-39	2060245	THERMAL SWITCH	4127-6301-01	1
02-41	1268591	GUIDE	4136-1205-02	1

EPSON

EPL-6200L

SHOWING EXTRA PARTS AVAILABLE FROM JANUARY 2004

Page No.:2

REF.	PART NO	DESCRIPTION	SPECIFICATION	QTY
02-43	1268593	ROLLER	4136-3731-04	1
02-47	1268530	GUIDE	4136-1224-02	1
03-01	1265511	TRANSFER UNIT	4136-0760-00	1
03-02	1268640	GUIDE	4136-4109-06	1
03-03	2085732	WIRE HARNESS ASSY	4136-6808-02	1
03-04	1268597	SPACER	4136-4133-01	2
03-05	1268598	CONDUCTIVE MEMBER	4127-4106-01	1
03-06	1268600	BUSHING	4136-4105-01	1
03-07	1268602	CONTACT	4136-4114-02	1
03-08	1268605	PRESSURE SPRING	4127-4108-01	1
03-09	1268607	PRESSURE SPRING	4127-4135-01	2
03-10	1268608	HOLDER	4136-4102-04	1
03-11	1268635	NEUTRALIZING NEEDLE	4136-4113-02	1
03-12	1268636	GUIDE PLATE	4136-4132-01	1
03-13	1265508	TRANSFER ROLLER	4136-4103-01	1
03-14	1268637	BUSHING	4136-4104-01	1
03-15	1268638	PRESSURE SPRING	4127-4107-01	1
03-16	1268639	GEAR	4127-4111-01	1
03-17	1268641	GEAR	4136-3014-02	1
03-18	2085164	MICRO-SWITCH	4136-3011-02	1
03-19	1268642	HOLDER	4136-3010-02	2
03-20	1268643	ROLL	4136-3006-01	2
03-21	1268644	PRESSURE SPRING	4136-3018-01	2
03-22	1090655	PRESSURE SPRING	4127-3041-02	1
03-24	2085165	SOLENOID	9321-2300-11	1
03-25	2085733	WIRE HARNESS ASSY	4136-6803-01	1
03-26	1268646	GUIDE	4136-3501-04	1
03-27	1268647	STOPPER	4136-3022-01	2
03-28	1268648	GEAR	4136-3048-01	1
03-29	2085734	CONNECTOR PIN	4136-6751-01	1
03-30	2085166	PAPER TAKE-UP UNIT	4136-0781-00	1
03-31	1268658	HOLDER	4136-3020-02	1
03-35	2085736	WIRE HARNESS ASSY	4136-6818-01	1
03-36	1268661	PRESSURE SPRING	4136-3016-02	2
03-38	1265510	ROLLER	4136-3001-01	1
03-39	1268649	LEVER	4136-3025-01	1
03-40	1268650	TENSION SPRING	4136-3027-01	1
03-41	1268651	GEAR	4136-3047-01	1
03-43	1265509	FRICTION SHEET ASSY	4136-0151-02	1
03-45	1268656	CAM	4136-3026-01	1
03-46	1268657	ROLLER	4136-3002-01	1
03-47	1277273	GEAR	4136-3035-01	1
03-48	1277274	DRUM	4136-3036-01	1
03-49	1277276	TORSION SPRING	4136-3037-01	1
03-50	1277277	RACHET	4136-3038-01	1
03-51	1268653	SHAFT	4136-3039-01	1
03-52	1277278	CAM	4136-3044-01	1
03-53	1277279	CAM	4136-3043-01	1
03-54	1268654	TENSION SPRING	4136-3045-01	1
03-55	1277280	PLATE SPRING	4136-3046-01	1
03-56	1277281	FRICTION SHEET	4136-3049-01	1
04-02	2085744	RIGHT FRAME ASSY	4136-0757-00	1

EPSON

EPL-6200L

SHOWING EXTRA PARTS AVAILABLE FROM JANUARY 2004

Page No.:3

REF.	PART NO	DESCRIPTION	SPECIFICATION	QTY
04-07	1268720	GEAR	4136-2509-01	1
04-08	1268721	HOLDER	4136-2526-03	1
04-09	1268722	GEAR	4136-2504-01	1
04-10	1268723	GEAR	4136-2502-01	1
04-11	1268724	GEAR	4136-2503-01	1
04-12	1268725	GEAR	4136-2505-01	1
04-13	1268726	GEAR	4136-2506-01	1
04-14	1268727	GEAR	4136-2501-01	1
04-15	1268728	GEAR	4136-2507-01	1
04-16	1268729	GEAR	4136-2508-01	1
04-17	2085745	LEFT FRAME ASSY	4136-0753-00	1
04-18	1268730	DUCT	4136-2310-02	1
04-19	2085747	FAN MOTOR	9313-1300-12	1
04-20	2085748	MOTOR	9314-1201-31	1
04-21	2085749	WIRE HARNESS ASSY	4136-6810-03	1
04-22	1268669	RUBBER FOOT	4136-2015-01	4
04-23	1268731	FRAME	4136-2005-04	1
04-25	1268733	HOLDER	4136-2509-01	1
04-26	1268732	GUIDE	4136-2521-02	1
04-28	1268743	LIFTING PLATE	4136-2065-02	1
04-29	1268740	FRICTION SHEET	4136-3011-01	1
04-31	1268741	REGULATING PLATE ASSY	4136-3662-00	1
04-32	1268739	RACK	4136-3107-01	2
04-33	1090635	GEAR	4127-3104-01	1
04-35	1268744	REGULATING PLATE	4136-3653-01	1
04-37	1268745	REGULATING PLATE	4136-3652-02	1
04-41	1268714	FRAME	4136-2034-05	1
04-43	1268715	HOLDER	4136-2068-01	1
04-44	1268670	CONTACT	4136-2007-01	1
04-45	1268671	CONTACT	4136-2009-02	1
04-46	1268672	CONTACT	4136-2010-02	1
04-47	1268673	CONTACT	4136-2008-03	4
04-48	2085740	WIRE HARNESS ASSY	4136-6802-01	1
04-49	1268711	CONTACT	4136-2006-02	1
04-50	2085741	WIRE HARNESS ASSY	4136-6805-02	1
04-51	1268712	GUIDE	4136-2011-04	1
04-52	1268713	EARTH GROUND	4136-2012-02	1
04-53	2085742	MICRO-SWITCH	9331-2200-31	1
04-54	2085743	WIRE HARNESS ASSY	4136-6807-01	1
05-02	2085168	PRINT HEAD ASSY	4136-0778-00	1
05-04	2085169	HV TRANSFORMER	4136-6205-03	1
05-06	1268814	FRAME	4136-2304-03	1
05-07	1268815	FRAME	4136-2055-04	1
05-08	2085174	POWER SUPPLY 200V	4136-6204-02	1
05-09	2085750	WIRE HARNESS ASSY	4136-6804-01	1
05-10	2085751	WIRE HARNESS ASSY	4136-6812-02	1
05-11	1268816	BRACKET	4136-2032-04	1
05-12	1268817	BASE FRAME	4136-2001-02	1
05-17	1268819	SHIELD	4136-2355-01	1
05-100	2083066	BOARD ASSY., MAIN	5958A,WW	1
1115	1268824	SCREW	9642-0308-13	1
1305	1004686	SCREW	9646-0306-13	1

EPSON

EPL-6200L

SHOWING EXTRA PARTS AVAILABLE FROM JANUARY 2004

Page No.:4

REF.	PART NO	DESCRIPTION	SPECIFICATION	QTY
1318	1031790	SCREW	9646-0408-13	1
3340	1268827	TAPPING SCREW	9732-0310-14	1
3504	1028751	SCREW	9646-0308-13	1
3547	1052923	SCREW	4154-3804-01	1
3727	1046142	TAPPING SCREW	9739-0308-14	1
4021	1004736	TAPPING SCREW	9743-0308-14	1
END				

www.drukparts.pl

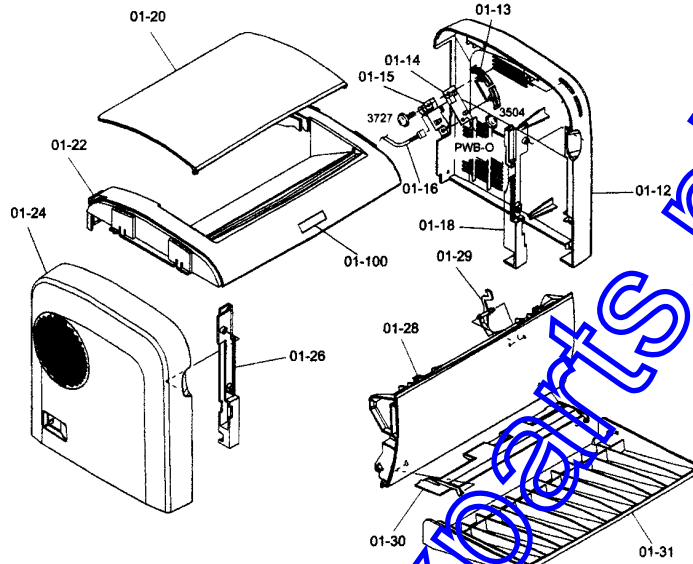
EPSON

EPL-6200L

SHOWING EXTRA PARTS AVAILABLE FROM JANUARY 2004

Page No.:5

The parts to which no reference number is assigned will not be available as after-sale service parts.



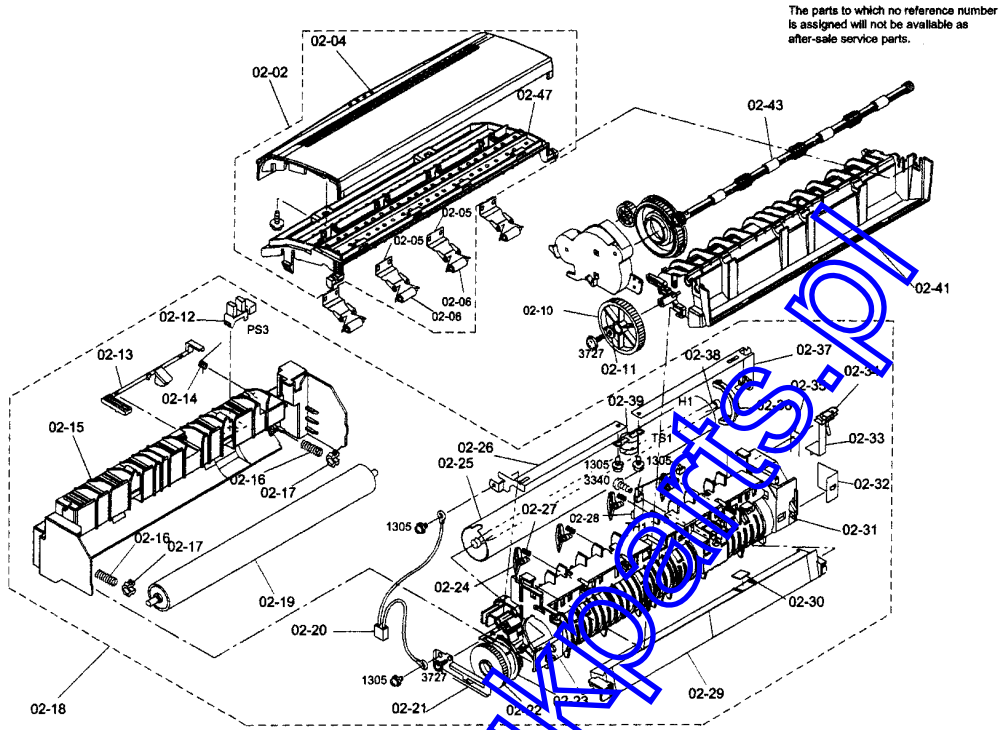
EPL-6200L NO.01

www.drukparts.nl

EPSON EPL-6200L

SHOWING EXTRA PARTS AVAILABLE FROM JANUARY 2004

Page No.:6



EPL-6200L NO.02

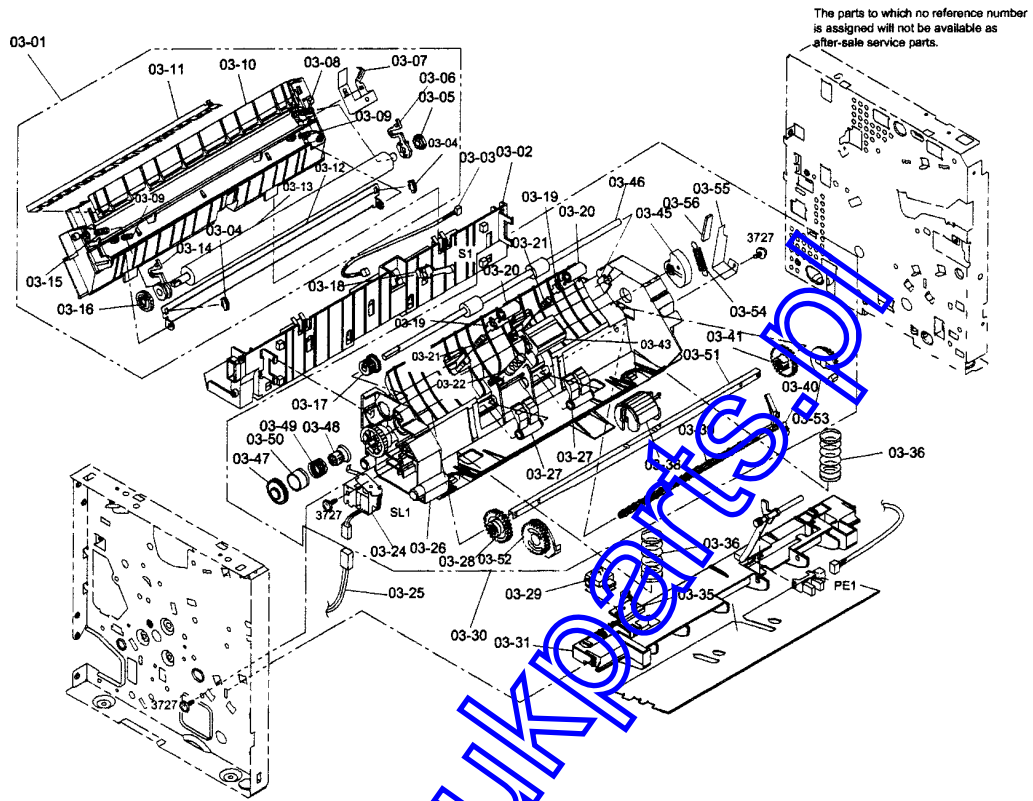
www.drumsprints.com

EPSON

EPL-6200L

SHOWING EXTRA PARTS AVAILABLE FROM JANUARY 2004

Page No.:7



EPL-6200L NO.03

www.druckarts.nl

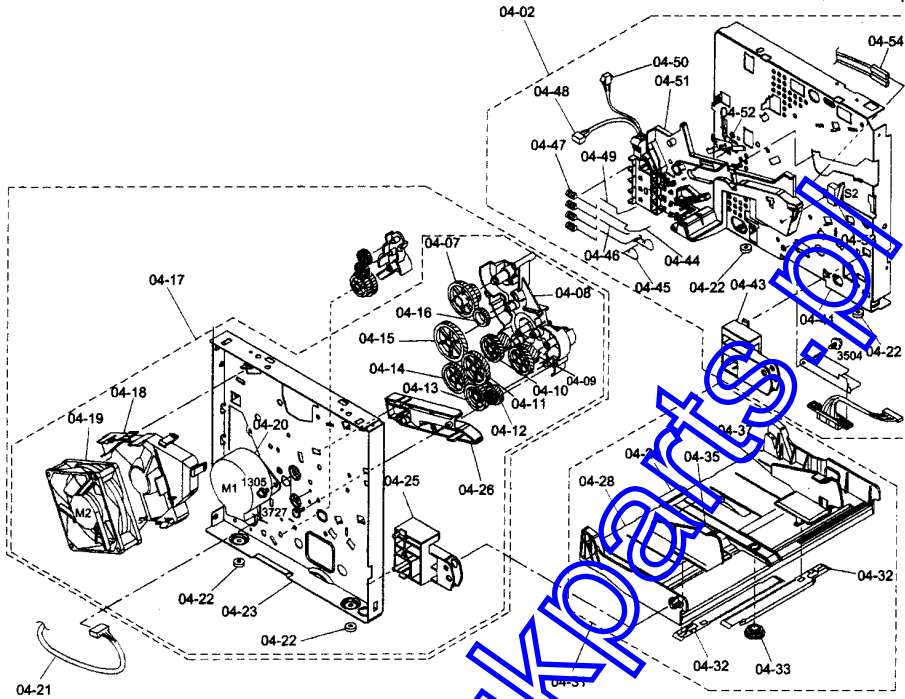
EPSON

EPL-6200L

SHOWING EXTRA PARTS AVAILABLE FROM JANUARY 2004

Page No.:8

The parts to which no reference number is assigned will not be available as after-sale service parts.



EPL-6200L NO.04

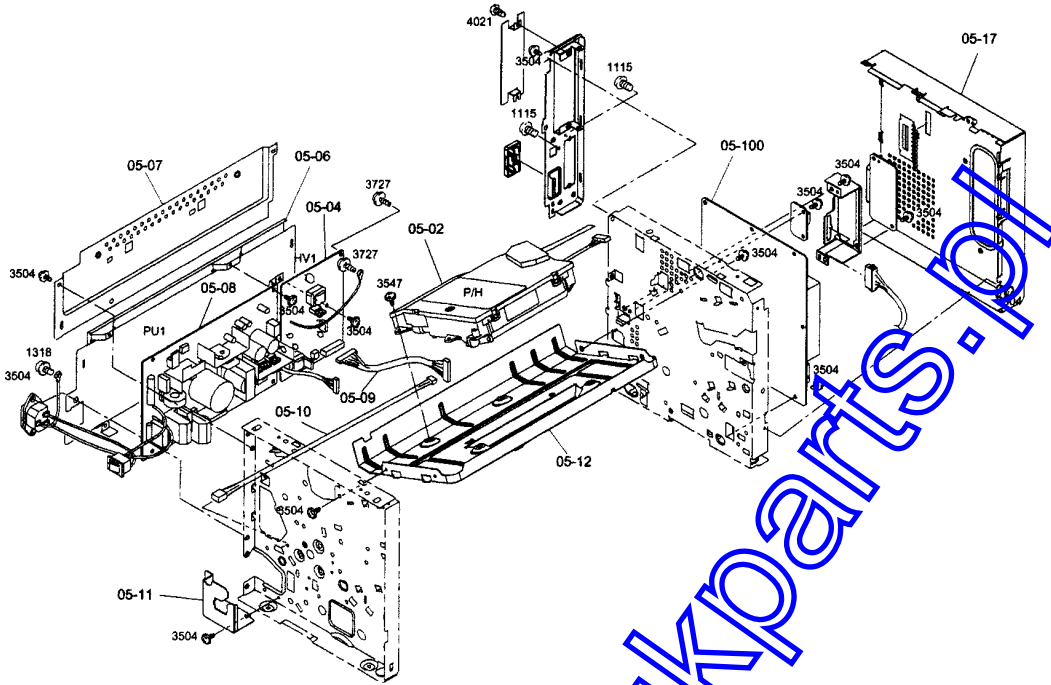
EPSON

EPL-6200L

SHOWING EXTRA PARTS AVAILABLE FROM JANUARY 2004

Page No.:9

The parts to which no reference number is assigned will not be available as after-sale service parts.



EPL-6200L V0.05