

# EPSON

## EPL-6200

SHOWING EXTRA PARTS AVAILABLE FROM JANUARY 2004

REFER TO SEPARATE SPARES GUIDE FOR OPTIONS C802042 (500-SHEET CASSETTE UNIT) & C802051 (DUPLEX UNIT)

Page No.:1

REF	PART NO	DESCRIPTION	SPEC	QTY
01-01	1268411	COVER	4136-1215-02	1
01-02	1268412	SHIELD	4136-2354-01	1
01-03	1268413	COVER	4136-1211-03	1
01-04	1268414	BUTTON	4136-1217-02	1
01-05	1268415	LENS	4136-1220-02	1
01-06	1268416	BUTTON	4136-1219-03	1
01-07	1268417	BUTTON	4136-1218-02	1
01-08	2084578	HARNESS	4136-6821-01	1
01-09	2085159	PWB ASSY	4136-0105-02	1
01-10	1268418	BRACKET	4136-2361-01	1
01-100	1058403	LOGO PLATE 10X40MM		1
01-11	1268419	EARTH GROUND	4136-2353-02	1
01-17	1268423	COVER	4136-1213-03	1
01-19	1268425	TRAY	4136-1207-04	1
01-21	1268427	TOP COVER	4136-1201-03	1
01-23	1268431	COVER	4136-1216-04	1
01-25	1268434	COVER	4136-1214-02	1
01-27	1268436	COVER	4136-1203-02	1
01-29	1268441	LEVER	4136-1021-01	1
01-30	1268443	COVER	4136-1020-03	1
01-32	1268450	REGULATING PLATE	4136-3253-01	1
01-33	1268452	TRAY	4136-1208-01	1
01-34	1090635	GEAR	4127-3104-01	1
01-35	1268454	COVER	4136-1206-01	1
01-36	1268455	COVER	4136-1209-02	1
01-37	1268457	REGULATING PLATE	4136-3252-01	1
01-38	1268448	TRAY ASSY	4136-0775-00	1
02-01	1268458	TOP COVER ASSY	4136-0771-00	1
02-03	1268459	COVER	4136-1216-03	1
02-05	1268460	SPRING	4136-3709-02	2
02-06	1090621	ROLL	4127-3707-01	2
02-07	1268460	SPRING	4136-3709-02	2
02-08	1090621	ROLL	4127-3707-01	2
02-09	1268531	HOOPER	4136-3712-04	1
02-12	2036345	SOLO STATE SWITCH	9335-1910-41	1
02-13	1268534	ACTUATOR	4136-5518-02	1
02-14	1268539	TORSION SPRING	4136-3716-01	1
02-15	1268547	HOUSING	4136-5505-05	1
02-16	1268550	PRESSURE SPRING	4136-5517-02	2
02-17	1104888	BUSHING	4127-5571-01	2
02-18	2085163	FUSING UNIT 230V	4136-0767-00	1
02-19	1268554	ROLLER	4136-5502-01	1
02-20	2085726	WIRE HARNESS ASSY	4136-6801-02	1
02-21	2086063	TERMINAL	4136-5524-01	1
02-22	1268561	GEAR	4136-5512-02	1
02-23	1268562	BUSHING	4136-5521-02	1
02-24	1263036	SEPARATOR	4127-5533-03	4
02-25	1268563	ROLLER	4136-5501-01	1
02-26	2086064	TERMINAL	4136-5526-01	1
02-27	1042716	PRESSURE SPRING	4109-5516-01	4

# EPSON

## EPL-6200

SHOWING EXTRA PARTS AVAILABLE FROM JANUARY 2004

REFER TO SEPARATE SPARES GUIDE FOR OPTIONS C802042 (500-SHEET CASSETTE UNIT) & C802051 (DUPLEX UNIT)

Page No.:2

REF	PART NO	DESCRIPTION	SPEC	QTY
02-28	2085728	THERMISTOR	4136-6702-01	1
02-29	1268567	GUIDE	4136-5503-03	1
02-30	1268570	BRUSH	4136-5531-01	1
02-31	1268572	HOUSING	4136-5508-04	1
02-32	1268573	SPRING	4136-5535-01	1
02-33	2086065	CONTACT	4136-5527-01	1
02-34	2086066	CONTACT	4136-5528-01	1
02-35	2086073	RESISTOR	9454-4076-02	1
02-36	1268586	BUSHING	4136-5522-02	1
02-37	2086074	TERMINAL	4136-5525-01	1
02-38	2085731	HEATER 220V	4136-6503-01	1
02-39	2060245	THERMAL SWITCH	4127-6391-01	1
02-40	1268590	GUIDE	4136-1222-05	1
02-42	1268594	ROLLER	4136-5730-03	1
02-44	1268595	GEAR	4136-3715-01	1
02-45	1268596	GEAR	4136-3717-01	1
02-46	1268461	GUIDE	4136-1204-03	1
03-01	1265511	TRANSFER UNIT	4136-0760-00	1
03-02	1268640	GUIDE	4136-4109-06	1
03-03	2085732	WIRE HARNESS ASSY	4136-6808-02	1
03-04	1268597	SPACER	4136-4133-01	2
03-05	1268598	CONDUCTIVE MEMBER	4127-4106-01	1
03-06	1268600	BUSHING	4136-4105-01	1
03-07	1268602	CONTACT	4136-4114-02	1
03-08	1268605	PRESSURE SPRING	4127-4108-01	1
03-09	1268607	PRESSURE SPRING	4127-4135-01	2
03-10	1268608	HOLDER	4136-4102-04	1
03-11	1268635	NEUTRALIZING NEEDLE	4136-4113-02	1
03-12	1268636	GUIDE PLATE	4136-4132-01	1
03-13	1265508	TRANSFER ROLLER	4136-4103-01	1
03-14	1268637	BUSHING	4136-4104-01	1
03-15	1268638	PRESSURE SPRING	4127-4107-01	1
03-16	1268639	GEAR	4127-4111-01	1
03-17	1268641	GEAR	4136-3014-02	1
03-18	2085164	MICRO-SWITCH	4136-6301-02	1
03-19	1268642	HOLDER	4136-3009-02	2
03-20	1268643	ROLLER	4136-3006-01	2
03-21	1268644	PRESSURE SPRING	4136-3018-01	2
03-22	1090655	PRESSURE SPRING	4127-3041-02	1
03-24	2085165	SOLENOID	9321-2300-11	1
03-25	2085733	WIRE HARNESS ASSY	4136-6803-01	1
03-26	1268646	GUIDE	4136-3501-04	1
03-27	1268647	STOPPER	4136-3022-01	2
03-28	1268648	GEAR	4136-3048-01	1
03-29	2085734	CONNECTOR PIN	4136-6751-01	1
03-30	2085166	PAPER TAKE-UP UNIT	4136-0781-00	1
03-31	1268658	HOLDER	4136-3020-02	1
03-32	1268659	TRAY	4136-3201-01	1
03-33	2036345	SOLID STATE SWITCH	9335-1910-41	1
03-34	2085735	WIRE HARNESS ASSY	4136-6809-01	1

# EPSON

## EPL-6200

SHOWING EXTRA PARTS AVAILABLE FROM JANUARY 2004

REFER TO SEPARATE SPARES GUIDE FOR OPTIONS C802042 (500-SHEET CASSETTE UNIT) & C802051 (DUPLEX UNIT)

Page No.:3

REF	PART NO	DESCRIPTION	SPEC	QTY
03-35	2085736	WIRE HARNESS ASSY	4136-6818-01	1
03-36	1268661	PRESSURE SPRING	4136-3016-02	2
03-37	1268664	ACTUATOR	4136-3021-01	1
03-38	1265510	ROLLER	4136-3001-01	1
03-39	1268649	LEVER	4136-3025-01	1
03-40	1268650	TENSION SPRING	4136-3027-01	1
03-41	1268651	GEAR	4136-3047-01	1
03-43	1265509	FRICTION SHEET ASSY	4136-0151-02	1
03-45	1268656	CAM	4136-3026-01	1
03-46	1268657	ROLLER	4136-3002-01	1
03-47	1277273	GEAR	4136-3035-01	1
03-48	1277274	DRUM	4136-3036-01	1
03-49	1277276	TORSION SPRING	4136-3027-01	1
03-50	1277277	RACHET	4136-3038-01	1
03-51	1268653	SHAFT	4136-3039-01	1
03-52	1277278	CAM	4136-3041-01	1
03-53	1277279	CAM	4136-3043-01	1
03-54	1268654	TENSION SPRING	4136-3045-01	1
03-55	1277280	PLATE SPRING	4136-3046-01	1
03-56	1277281	FRICTION SHEET	4136-3049-01	1
04-01	2085738	RIGHT FRAME ASSY	4136-0756-00	1
04-03	2085746	LEFT FRAME ASSY	4136-0752-00	1
04-04	1268716	HOLDER	4136-2527-01	1
04-05	1268717	GEAR	4136-2510-01	2
04-06	1268718	GEAR	4136-2511-01	1
04-07	1268720	GEAR	4136-2509-01	1
04-08	1268721	HOLDER	4136-2526-03	1
04-09	1268722	GEAR	4136-2504-01	1
04-10	1268723	GEAR	4136-2502-01	1
04-11	1268724	GEAR	4136-2503-01	1
04-12	1268725	GEAR	4136-2505-01	1
04-13	1268726	GEAR	4136-2506-01	1
04-14	1268727	GEAR	4136-2501-01	1
04-15	1268728	GEAR	4136-2507-01	1
04-16	1268729	GEAR	4136-2508-01	1
04-18	1268730	GEAR	4136-2310-02	1
04-19	2085747	FAN MOTOR	9313-1300-12	1
04-20	2085748	MOTOR	9314-1201-31	1
04-21	2085749	WIRE HARNESS ASSY	4136-6810-03	1
04-22	1268669	RUBBER FOOT	4136-2015-01	4
04-23	1268731	FRAME	4136-2005-04	1
04-24	1268719	HOLDER	4136-2059-02	1
04-26	1268732	GUIDE	4136-2524-02	1
04-27	1268736	LIFTING PLATE	4136-3055-02	1
04-29	1268740	FRICTION SHEET	4136-3013-01	1
04-30	1268734	REGULATING PLATE ASSY	4136-0761-00	1
04-32	1268739	RACK	4136-3101-01	2
04-33	1090635	GEAR	4127-3104-01	1
04-34	1268737	REGULATING PLATE	4136-3153-01	1
04-36	1268738	REGULATING PLATE	4136-3152-02	1

# EPSON

## EPL-6200

SHOWING EXTRA PARTS AVAILABLE FROM JANUARY 2004

REFER TO SEPARATE SPARES GUIDE FOR OPTIONS C802042 (500-SHEET CASSETTE UNIT) & C802051 (DUPLEX UNIT)

Page No.:4

REF	PART NO	DESCRIPTION	SPEC	QTY
04-38	1268665	BRACKET	4136-2102-01	1
04-39	2085739	WIRE HARNESS ASSY	4136-6806-02	1
04-40	1268667	FRAME	4136-2004-04	1
04-42	1268668	HOLDER	4136-2058-01	1
04-44	1268670	CONTACT	4136-2007-01	1
04-45	1268671	CONTACT	4136-2009-02	1
04-46	1268672	CONTACT	4136-2010-02	1
04-47	1268673	CONTACT	4136-2008-03	4
04-48	2085740	WIRE HARNESS ASSY	4136-6802-01	1
04-49	1268711	CONTACT	4136-2006-02	1
04-50	2085741	WIRE HARNESS ASSY	4136-6805-02	1
04-51	1268712	GUIDE	4136-2011-04	1
04-52	1268713	EARTH GROUND	4136-2012-03	1
04-53	2085742	MICRO-SWITCH	9331-2300-31	1
04-54	2085743	WIRE HARNESS ASSY	4136-6807-01	1
05-01	2085167	PRINT HEAD ASSY	4136-0715-00	1
05-03	2085170	HV TRANSFORMER	4136-0206-03	1
05-05	1268813	FRAME	4136-2302-03	1
05-07	1268815	FRAME	4136-2055-04	1
05-08	2085172	POWER SUPPLY 200V	4136-6202-02	1
05-09	2085750	WIRE HARNESS ASSY	4136-6804-01	1
05-10	2085751	WIRE HARNESS ASSY	4136-6812-02	1
<b>05-100</b>	<b>2086010</b>	<b>BOARD ASSY., MAIN</b>		<b>1</b>
N/A	1037269	GUIDE RAIL TYPE-B	SEE NOTE BELOW	1
N/A	2083063	BOARD ASSY.,MEMORY	4136-0114-01 SEE NOTE BELOW	1
N/A	2085753	WIRE HARNESS ASSY	4136-6823-01 SEE NOTE BELOW	1
05-11	1268816	BRACKET	4136-2032-04	1
05-12	1268817	BASE FRAME	4136-2001-02	1
05-14	2085752	WIRE HARNESS ASSY	4136-6811-02	1
N/A	2085255	PWB ASSY I/F	4136-0109-01 SEE NOTE BELOW	1
05-16	1268818	SHIELD	4136-2353-01	1
05-18	1268820	EARTH GROUND	4136-2155-02	1
05-19	1268821	BRACKET	4136-2153-03	1
05-20	2037082	BOARD ASSY.,PERIPHERAL	160K7468X	1
05-21	1268822	BRACKET	4136-2151-01	1
05-22	1268823	CONTACT	4136-2154-01	1
05-23	1110073	COVER,TYPE-B	4131-2376-01	1
1115	1268824	SCREW	9642-0308-13	1
1305	1004686	SCREW	9646-0306-13	1
1318	1031790	SCREW	9646-0408-13	1
3340	1268827	TAPPING SCREW	9732-0310-14	1
3504	1028751	SCREW	9646-0308-13	1
3547	1052923	SCREW	4154-3804-01	1
3727	1046142	TAPPING SCREW	9739-0308-14	1
4021	1004736	TAPPING SCREW	9743-0308-14	1
END				

PARTS MARKED "N/A" ABOVE ARE PART OF THE MAIN BOARD ASSEMBLY & NOT SHOWN IN THE DIAGRAM MARKED

# EPSON

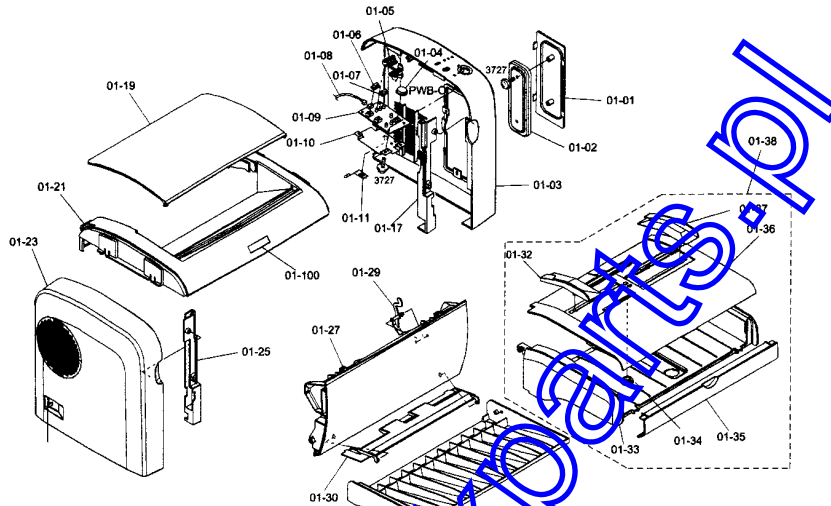
## EPL-6200

SHOWING EXTRA PARTS AVAILABLE FROM JANUARY 2004

REFER TO SEPARATE SPARES GUIDE FOR OPTIONS C802042 (500-SHEET CASSETTE UNIT) & C802051 (DUPLEX UNIT)

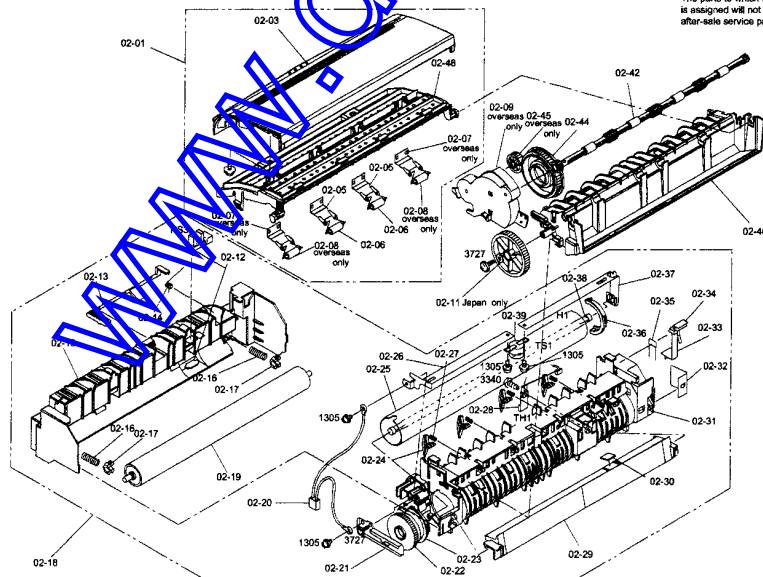
Page No.:5

The parts to which no reference number is assigned will not be available as after-sale service parts.



EPL-6200 NO.01

The parts to which no reference number is assigned will not be available as after-sale service parts.



EPL-6200 NO.02

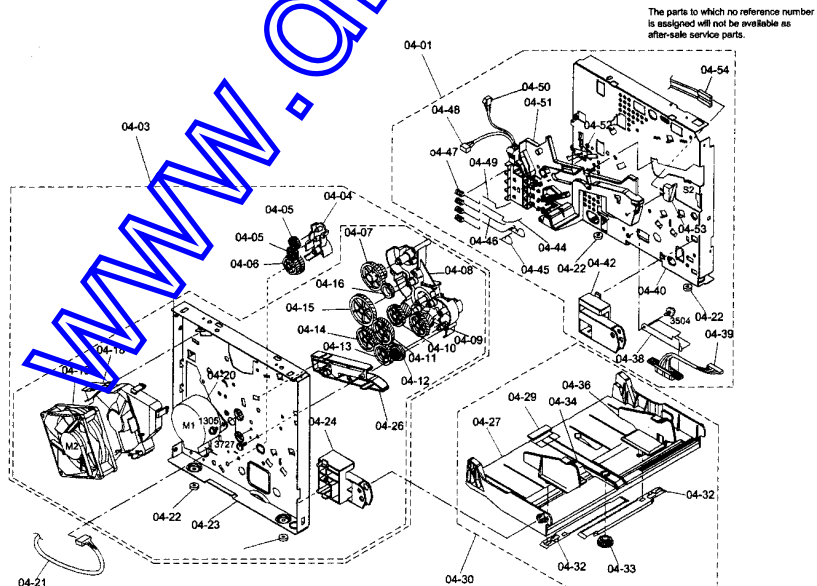
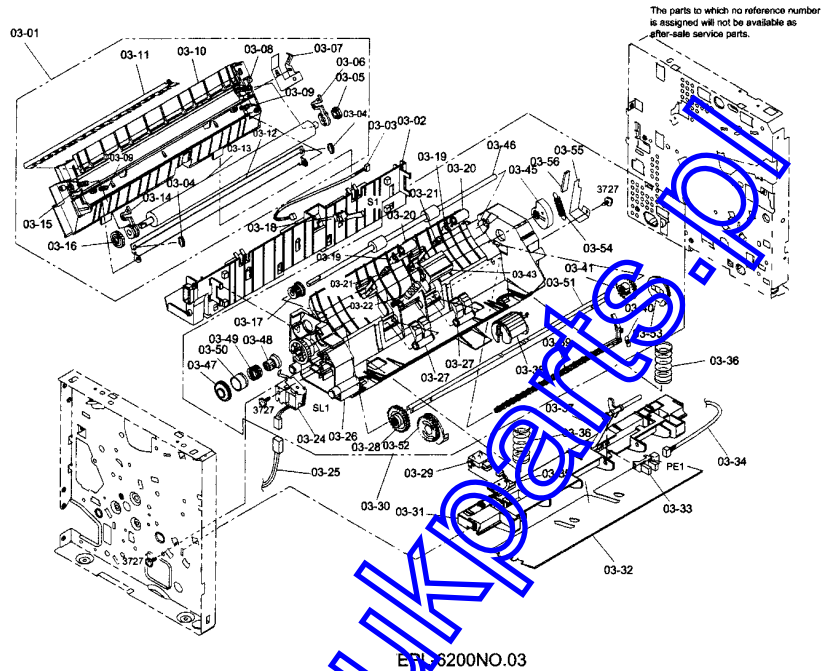
# EPSON

## EPL-6200

SHOWING EXTRA PARTS AVAILABLE FROM JANUARY 2004

REFER TO SEPARATE SPARES GUIDE FOR OPTIONS C802042 (500-SHEET CASSETTE UNIT) & C802051 (DUPLEX UNIT)

Page No.:6



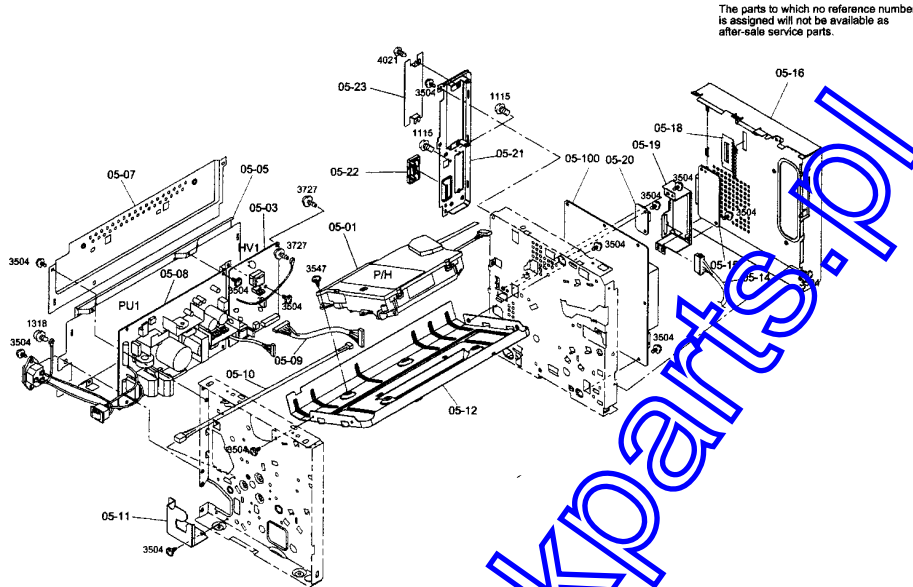
# EPSON

## EPL-6200

SHOWING EXTRA PARTS AVAILABLE FROM JANUARY 2004

REFER TO SEPARATE SPARES GUIDE FOR OPTIONS C802042 (500-SHEET CASSETTE UNIT) & C802051 (DUPLEX UNIT)

Page No.:7



The parts to which no reference number is assigned will not be available as after-sale service parts.

EPL-6200\_NO.05

www.druckparts.nl