

# EPSON

## EPL-5900

Page 1

*Spares guide includes supplement for optional 500 Sheet lower Paper Cassette – C813791*

REF	PART NO	DESCRIPTION	SPEC	QTY
1-1	1090617	COVER	4127-1211-04	1
1-2	1090618	TRAY	4127-1207-03	1
1-3	1084551	GUIDE	4127-3750-03	1
1-4	1084552	ROLLER	4127-3730-03	2
1-5	1090619	GEAR ASSY	4127-0482-01	1
1-6	1090621	ROLL	4127-3707-01	4
1-7	1090620	TOP COVER ROLL ASSY	4127-0485-02	1
1-8	1090622	LEVER	4127-1204-03	1
1-9	1090623	TORSION SPRING	4127-3763-01	1
1-10	1090624	HOLDER	4127-3762-01	1
1-11	1090625	MEMBER	4127-3761-01	1
1-12	1090626	COVER	4127-1210-03	1
1-13	1090627	TORSION SPRING	4127-2020-01	2
1-14	1090628	FRONT COVER	4127-1203-05	1
1-15	1090632	RUBBER FOOT	4127-2015-01	2
1-16	1090633	TRAY	4127-3251-02	1
1-17	1090634	TRAY	4127-1208-04	1
1-18	1090635	GEAR	4127-3704-01	1
1-19	1090636	COVER	4127-1206-01	1
1-20	1090637	REGULATION PLATE	4127-3253-02	1
1-21	1090638	REGULATION PLATE	4127-3252-02	1
1-22	1090639	COVER	4127-1209-02	1
1-24	1090641	LABEL	4127-2024-01	1
1-25	1090642	LABEL	4127-2025-01	1
1-26	1090644	LABEL	4127-7463-01	1
1-27	1084672	COVER	4127-1202-02	1
1-28	2055865	CONTROL PANEL	STANDARD	1
1-29	1058403	LOGO PLATE 10X40;C		1
2-1	1090647	TENSION SPRING	4127-3019-02	1
2-2	1090648	CAM	4127-3026-01	1
2-3	1090649	CAM	4127-3007-01	1
2-4	1090650	CAM	4127-3008-02 (SEE NOTE BELOW)	1
2-5	1084553	ROLLER	4127-3001-01	1
2-6	1090651	ROLLER	4127-3002-01	1
2-7	1090652	GEAR	4127-3014-01	1
2-8	1090653	GEAR	4127-3010-01 (SEE NOTE BELOW)	1
2-9	1090632	RUBBER FOOT	4127-2015-01	2
2-10	2056850	SEPARATOR	9321-2000-32	1
2-11	1090891	SEPARATOR	4127-3021-02	1
2-12	2056851	PHOTO INTERRUPTER	4127-0901-01	1
2-13	1090655	PRESSURE SPRING	4127-3041-02	1
2-14	1090657	GUIDE	4127-3042-03	2
2-15	1090658	STOPPER	4127-3022-02	2
2-16	1090659	PRESSURE SPRING	4127-3016-01	2
2-17	1084554	REGULATING PLATE ASSY	4127-0490-02	1
2-18	1090661	TENSION SPRING	4127-3027-01	1
2-19	1090662	LEVER	4127-3025-01	1
2-20	1084556	SEPARATOR PAD	4127-0481-01	1
2-21	1084673	HOLDER	4127-2016-01	2
2-22	2057062	WIRE HARNESS ASSY	4127-6805-01	1

# EPSON

## EPL-5900

Page 2

*Spares guide includes supplement for optional 500 Sheet lower Paper Cassette – C813791*

REF	PART NO	DESCRIPTION	SPEC	QTY
2-23	2057063	WIRE HARNESS ASSY	4127-6814-01	1
2-24	1084675	GUIDE	4127-3501-04	1
2-25	1084676	REINFORCE PLATE	4127-3043-02	1
2-26	1084677	FRICTION SHEET	4127-3013-01	1
2-27	1091520	SEAL	4127-3044-01	1
3-1	2060244	HEATER 230V	4127-6503-02	1
3-2	2056851	PHOTO INTERRUPTER	4127-0901-01	1
3-3	1090663	ACTUATOR	4127-5518-01	1
3-4	1090664	HOLDER	4127-5534-02	1
3-5	1090665	BUSHING	4127-5511-01	2
3-6	1040805	ROLLER	4127-5502-01	1
3-7	1090667	SEPARATOR	4127-5536-01	2
3-8	1090668	SEPARATOR	4127-5533-01	2
3-9	1042716	PRESSURE SPRING	4109-5516-01	4
3-10	1090669	BUSHING	4122-5511-01	1
3-11	2060245	THERMAL SWITCH	4127-6301-01	1
3-12	1053835	FUSING ROLLER	4127-5501-02	1
3-13	1040809	BUSHING	4109-5521-01	1
3-14	2056856	FUSING UNIT 220/240V	4127-6351-02	1
3-15	1084678	ROLL	4127-5516-01	2
3-16	1084679	GEAR	4127-5513-01	1
3-17	1084680	GEAR	4127-5512-01	1
3-18	1084681	SEAL	4127-5550-03	1
3-19	1104273	BALL-BEARING		
4-1	1090671	TORSION SPRING	4127-2013-02	1
4-2	2027752	SWITCH	4109-6305-01	1
4-3	2060246	I/C GUIDE ASSY	4127-0480-01	1
4-4	2057233	DRIVE GEAR ASSY	4127-0301-01	1
4-5	2060248	MOTOR	9314-2001-21	1
4-6	2060249	MICRO-SWITCH	4127-6302-01	1
4-7	1090672	ROLL	4127-3006-01	2
4-8	1084557	TRANSFER ROLLER	4127-4103-02	1
4-9	2056859	TRANSFER GUIDE ASSY	4127-0311-01	1
4-10	2057065	WIRE HARNESS ASSY	4127-6802-02	1
4-11	2057066	WIRE HARNESS ASSY	4127-6810-01	1
4-12	2057068	WIRE HARNESS ASSY	4127-6811-02	1
5-1	2056860	HV TRANSFORMER	4127-6203-03	1
5-2	2060250	FAN MOTOR	9313-1001-21	1
5-3	1090673	HOLDER	4127-2321-01	1
5-4	2056862	POWER SUPPLY 200V	4127-6202-02	1
5-5	2056863	PRINT HEAD ASSY	4571-0531-02	1
5-6	2057067	WIRE HARNESS ASSY	4127-6804-03	1
5-7	1012848	GUIDE RAIL		1
5-8	1012855	GROUNDING SPRING,TYPE-B		1
5-9	1002045	COVER,CONNECTOR,UPPER		1
5-10	2055898	WIRE HARNESS		1
5-11	2010468	AC CABLE,AS31303SI-A	240V	1
5-200	2060105	BOARD ASSY., MAIN	5815C,WW ASP	1
5-201	2048955	BOARD ASSY.,I/F	5774A,STANDARD	1
1305	1004686	SCREW		1

# EPSON

## EPL-5900

Page 3

*Spares guide includes supplement for optional 500 Sheet lower Paper Cassette – C813791*

REF	PART NO	DESCRIPTION	SPEC	QTY
1318	1031790	SCREW		1
2902	1090674	SCREW	9646-0306-14	1
3501	1012113	TAPPING SCREW		1
3504	1004720	TAPPING SCREW		1
3541	1012096	TAPPING SCREW		1
3544	1053852	TAPPING SCREW	9735-0306-14	1
3704	1015399	TAPPING SCREW		1
3705	1015400	TAPPING SCREW		1
3727	1046142	TAPPING SCREW	9739-0308-14	1
3923	1040800	TAPPING SCREW		1
		<b>NOTE: REF 2-4 AND 2-8 REPLACED BY KIT - 1279589</b>		
END				
		<b>OPTIONAL PAPER CASSETTE:</b>		
		<b>C813791</b>		
REF	PART NO	DESCRIPTION	Specification	Qty
1-1	2060251	PWB ASSY	4198-0101-01	1
1-2	1090675	EARTH GROUND	4198-3840-02	2
1-3	1014685	BUSHING	4156-3838-01	2
1-4	1040888	BRACKET	4165-3833-01	1
1-5	1040882	SHAFT		1
1-6	1090676	ROLLER	4198-3802-01	2
1-7	1090677	ROLLER	4198-3818-01	1
1-8	1090521	SHEET	4165-3845-01	2
1-9	1090678	GUIDE	4198-3820-02	1
1-10	1040895	BUSHING		1
1-11	1090679	GEAR	4198-3831-01	1
1-12	1090680	GEAR	4198-3825-01	1
1-13	1090681	GEAR	4198-3824-01	1
1-14	1040904	TENSION SPRING	4165-3816-01	1
1-15	1090682	GEAR	4198-3815-01	1
1-16	2022924	SCREW		1
1-17	1090683	GUIDE	4198-3847-01	2
1-18	2027851	SWITCH(SW21)		1
1-19	1090684	GUIDE	4198-3848-01	2
1-20	2027850	HARNESS		1
1-21	2027848	HARNESS		1
1-22	1084682	ACTUATOR	4198-3817-02	1
2-1	1090699	CASSETTE ASSY	4198-0751-01	1
2-2	1040910	FRICTION PLATE		2
2-3	1090905	PRESSURE SPRING	4166-3962-01	2
2-4	1040914	COVER(LTR)		1
3505	1028229	TAPPING SCREW		1
3906	1053854	TAPPING SCREW	9742-0306-13	1

# EPSON

## EPL-5900

Page 4

*Spares guide includes supplement for optional 500 Sheet lower Paper Cassette –  
C813791*

REF	PART NO	DESCRIPTION	SPEC	QTY
9107	1004746	RETAINING RING		1
9112	1004747	RETAINING RING		1
END				

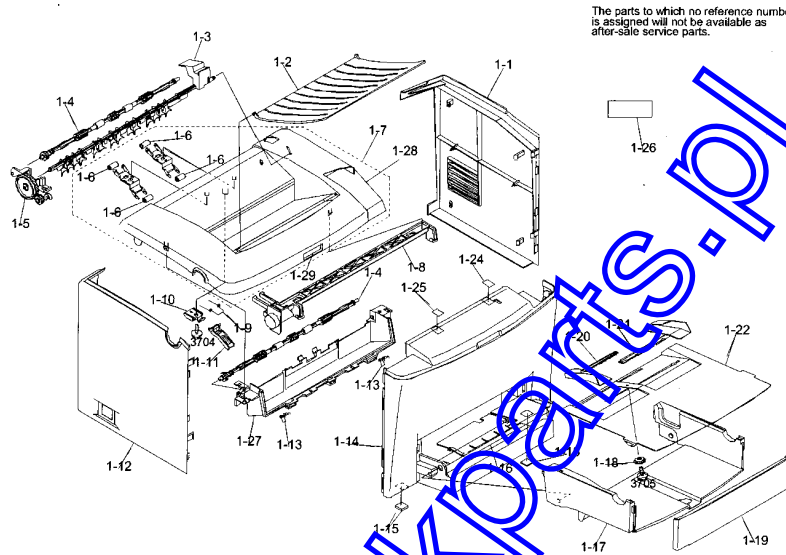
[www.drukparts.pl](http://www.drukparts.pl)

# EPSON

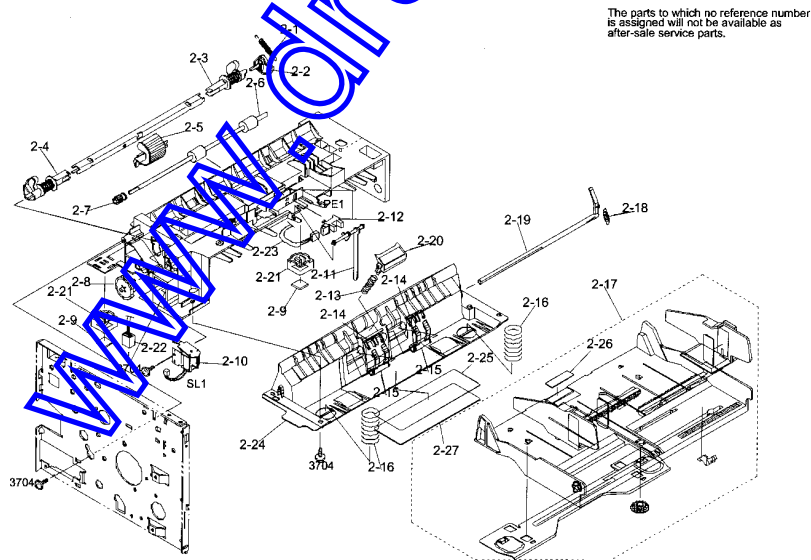
## EPL-5900

Page 5

Spares guide includes supplement for optional 500 Sheet lower Paper Cassette –  
C813791



EPL-5900 NO.01 Rev.01 C427



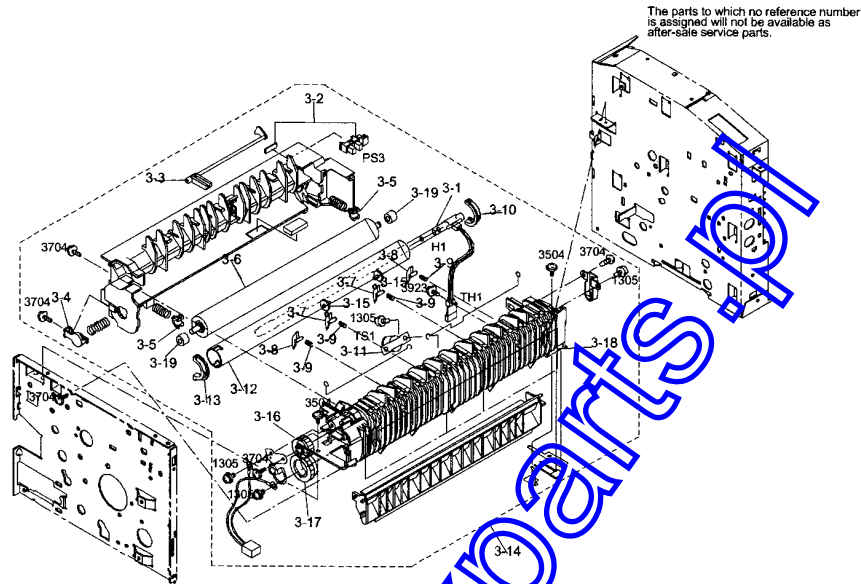
EPL-5900 NO.02 Rev.01 C427 Rev.01 C427

# EPSON

## EPL-5900

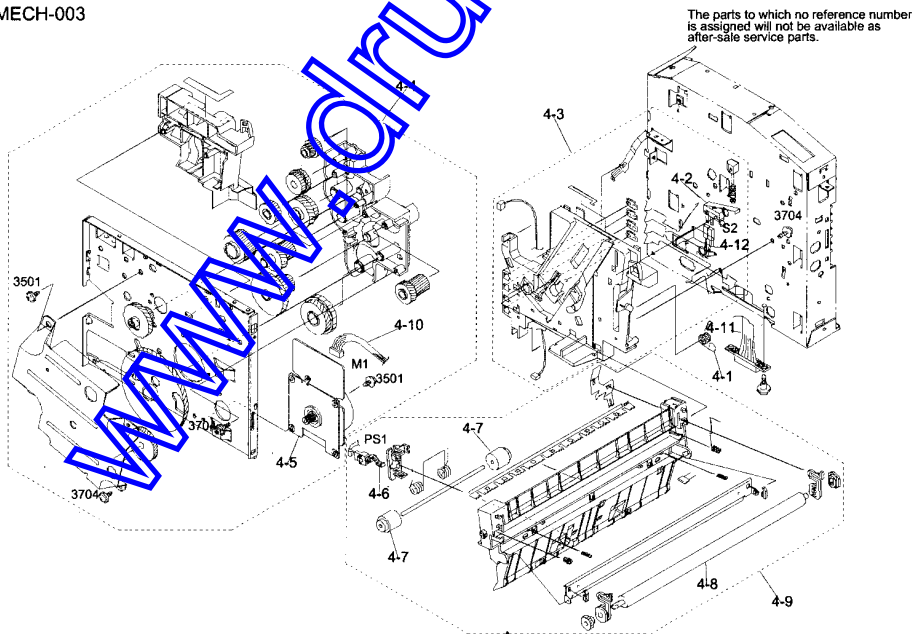
Page 6

Spares guide includes supplement for optional 500 Sheet lower Paper Cassette –  
C813791



EPL-5900 NO.03

C427-MECH-003



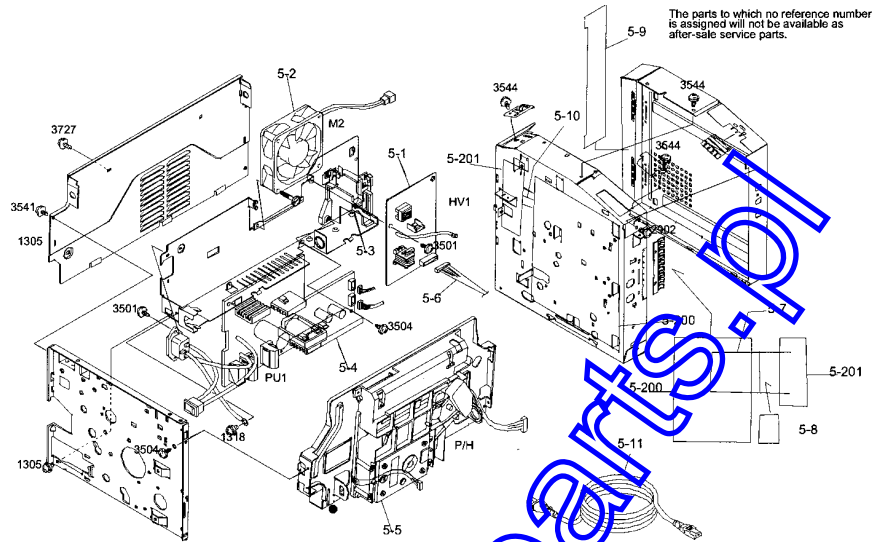
EPL-5900 NO.04 Rev.01 C427

# EPSON

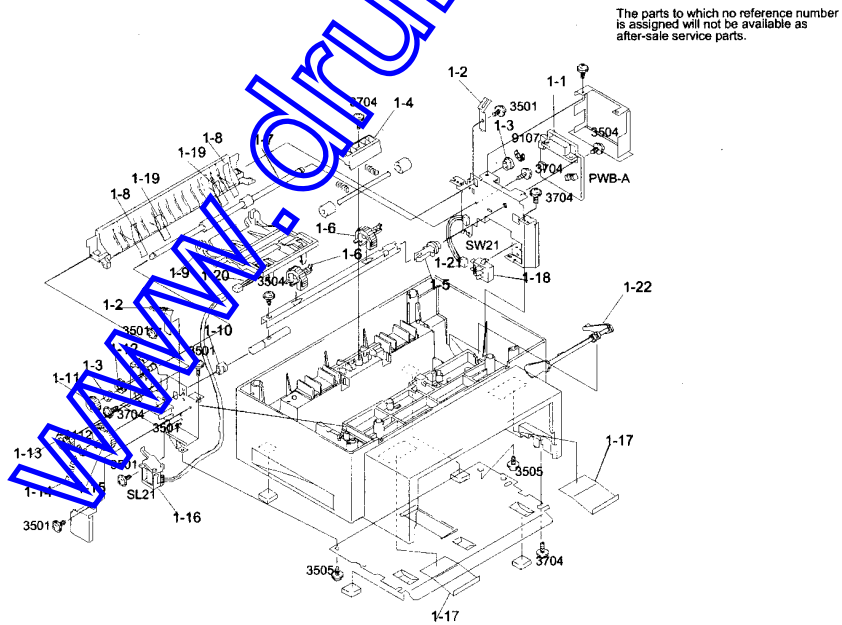
## EPL-5900

Page 7

Spares guide includes supplement for optional 500 Sheet lower Paper Cassette –  
C813791



EPL-5900 NC 05 Rev.01 C427



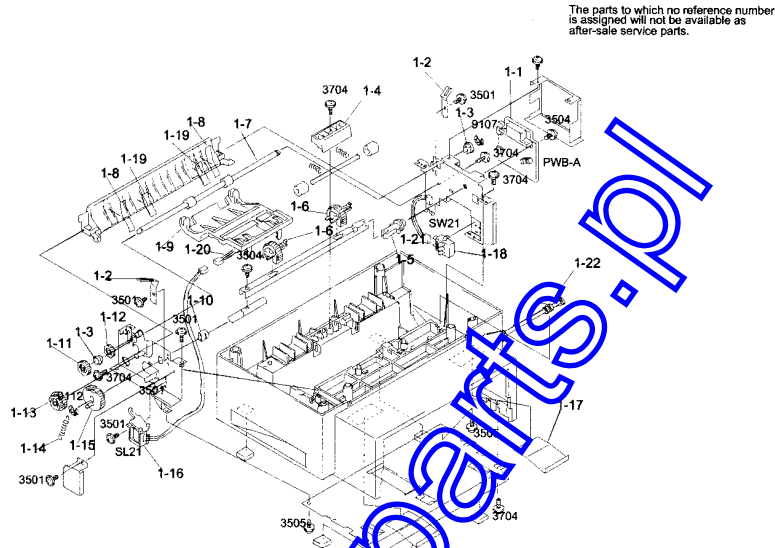
500-Sheet Lower Paper Cassette Unit A4 FIG. 1

# EPSON

## EPL-5900

Page 8

Spares guide includes supplement for optional 500 Sheet lower Paper Cassette –  
C813791



FOR 500-Sheet Lower Paper Cassette Unit A4 Fig. 2