

EPSON EPL5800L

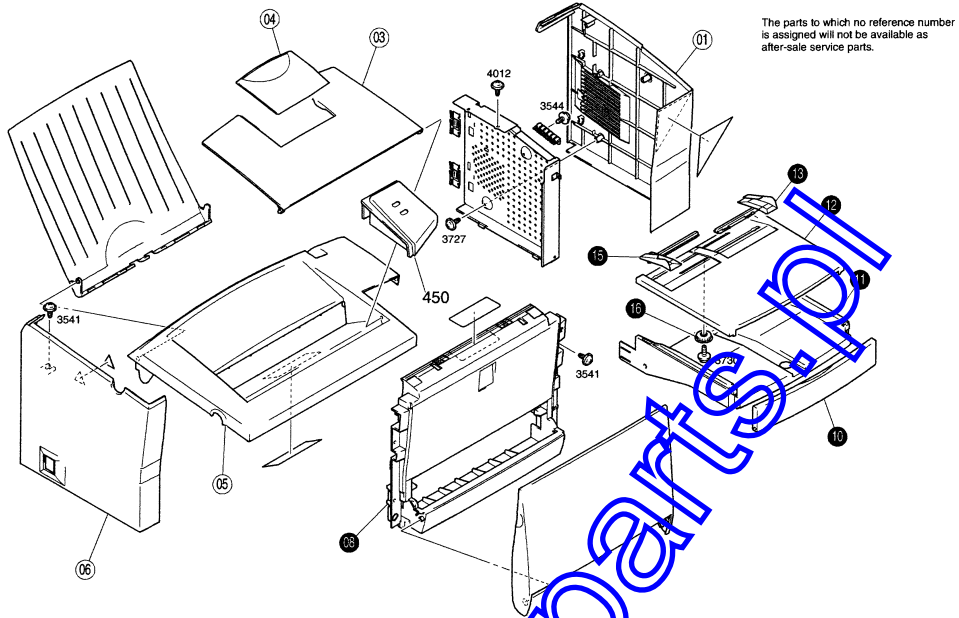
Important items in Bold Type

Page 1

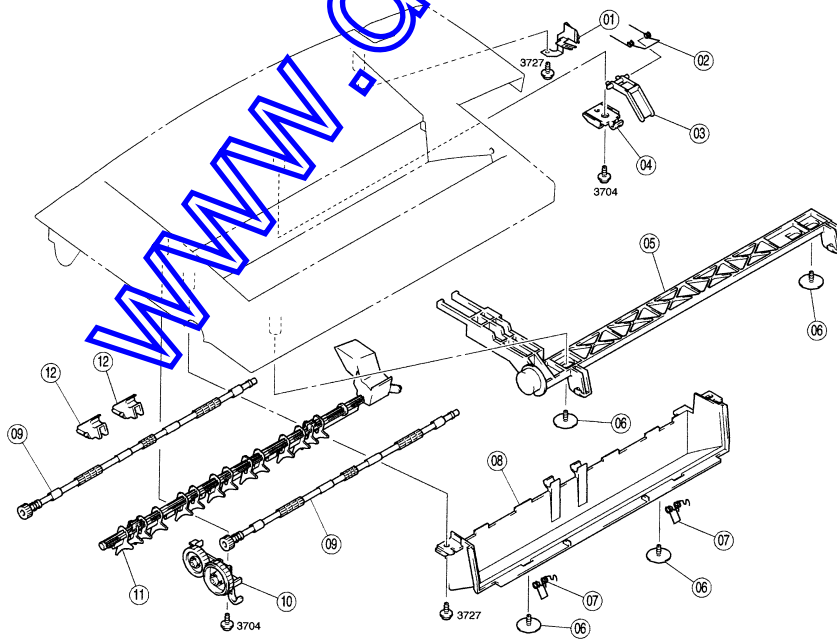
REF	PART NO	DESCRIPTION	SPEC	QTY
1-01	1053811	COVER		1
1-03	1053813	TRAY		1
1-04	1053814	TRAY		1
1-05	1053815	TOP COVER		1
1-06	1053816	COVER		1
1-08	1053819	FRONT COVER		1
1-10	1053219	COVER		1
1-11	1053820	TRAY		1
1-12	1053821	COVER		1
1-13	1053222	REGULATING PLATE		1
1-15	1053221	REGULATING PLATE		1
1-16	1053220	GEAR		1
1-450	2034469	PANEL		1
N/A	1062103	LOGO PLATE;B		1
(JP1)	X601002000	CONNECTOR	2 PIN	1
(JP9)	X601002000	CONNECTOR	2 PIN	1
200	2042951	BOARD ASSY., MAIN	5638B,EPL5800L	1
2-01	1053817	EARTH GROUND		1
2-02	1053823	TORSION SPRING		1
2-03	1053824	MEMBER		1
2-04	1053825	HOLDER		1
2-05	1053826	LEVER		1
2-06	1053827	SHOULDER SCREW		4
2-07	1053828	TORSION SPRING		2
2-08	1053829	COVER		1
2-09	1053223	ROLLER		2
2-10	1053830	GEAR ASSY		1
2-11	1053224	GUIDE		1
2-12	1053831	GUIDE		2
3-01	2034287	PAPER PICK UNIT		1
3-02	1053832	ROLLER		1
3-03	1053833	SEPARATOR PAD		1
3-04	2027738	SOLENOID		1
4-01	1053834	ACTUATOR		1
4-02	2027764	PHOTO INTERRUPTER(PS)		1
4-03	1040806	BUSHING		2
4-04	1053714	ROLLER(BU ROLLER)		1
4-05	1040803	BUSHING		1
4-06	2028490	TUBE LAMP(H1 230V)		1
4-07	1053835	FUSING ROLLER		1
4-08	1053836	PRESSURE SPRING		4
4-09	1040810	SEPARATOR		4
4-10	1040809	BUSHING		1
4-11	2034529	THERMAL SWITCH		1
4-12	2034530	THERMISTOR		1
4-13	2034291	FUSING UNIT 230V		1
5-01	1053837	TORSION SPRING		1
5-02	1053839	ROLLER		1
5-03	2034294	MOTOR		1
5-04	2034285	DRIVE UNIT		1
5-05	2034521	WIRE HARNESS ASSY		1
5-06	1053840	RUBBER FOOT		2
5-07	2034298	HV TRANSFORMER		1
5-08	2027747	SWITCH(PS2)		1
5-09	2034286	TRANSFER UNIT		1
5-10	1053841	GUIDE PLATE		1
5-11	1040763	ROLLER		1
6-01	1054750	BRACKET ASSY		1
6-02	2034295	FAN MOTOR		1
6-03	1053843	DUCT		1
6-04	2027750	SWITCH(PE1)		1
6-05	2027752	SWITCH		1
6-06	1053840	RUBBER FOOT		2
6-07	1053844	LEVER		1
6-08	1053845	EARTH GROUND		1
6-10	1053846	EARTH GROUND		1
7-01	2034297	POWER SUPPLY		1

EPSON EPL5800L

Important items in Bold Type
Page 3



EPL-5800L NO.1

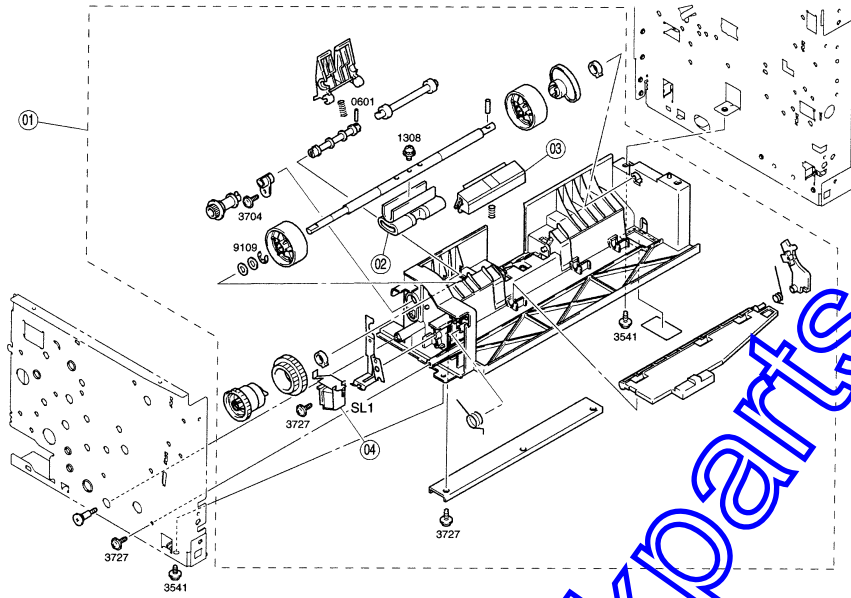


F EPL-5800L NO.2

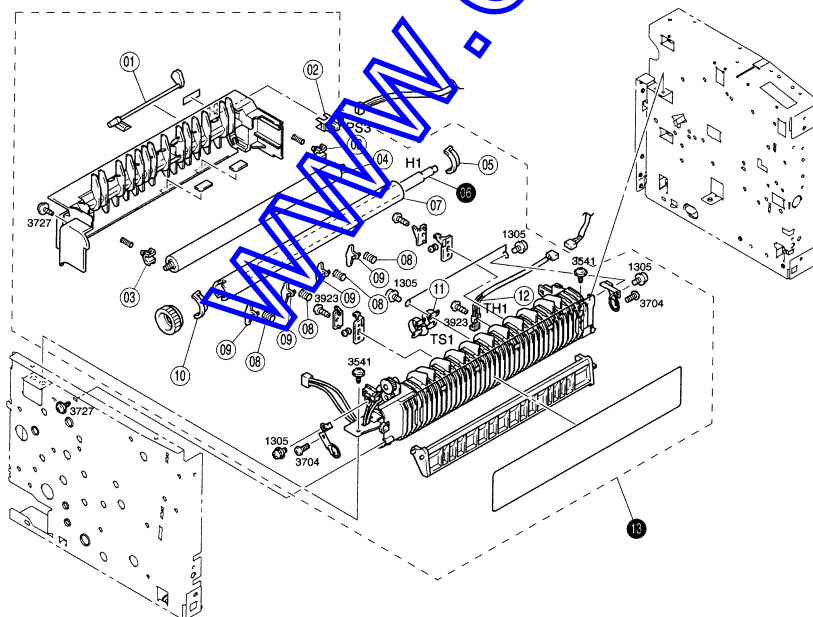
EPSON EPL5800L

Important items in Bold Type

Page 4



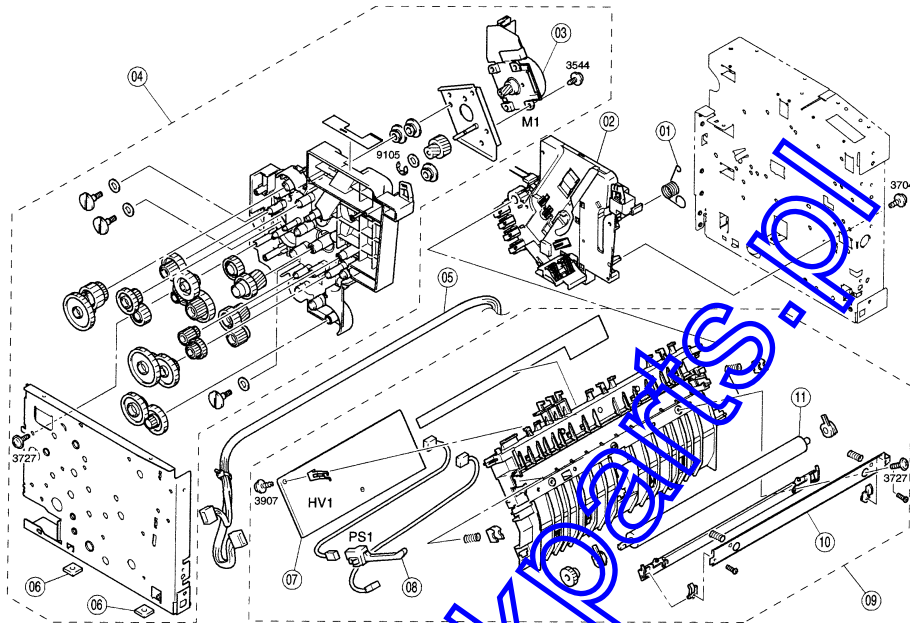
EPL-5800L NO.3



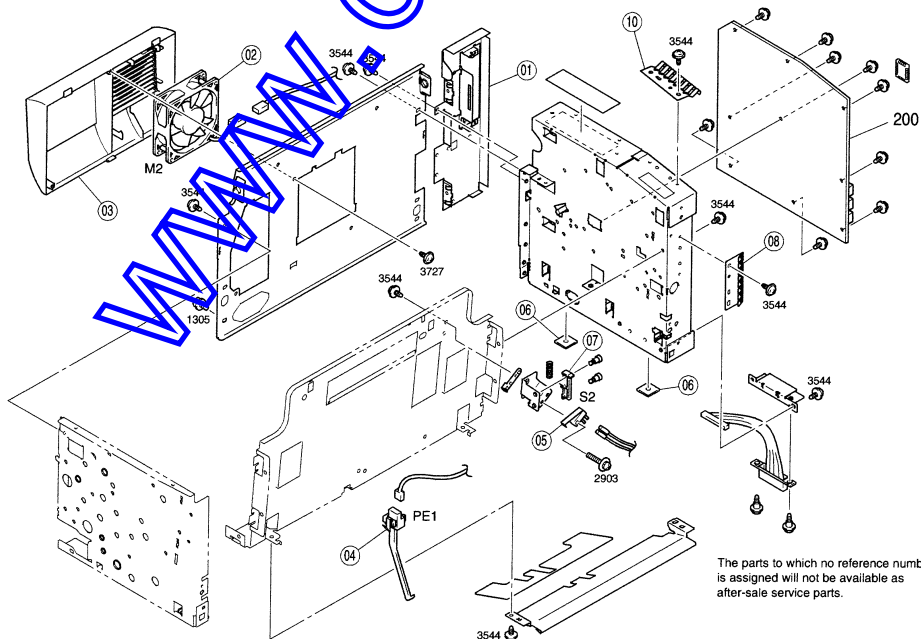
EPL-5800L NO.4

EPSON EPL5800L

Important items in Bold Type
Page 5



EPL-5800L NO.5

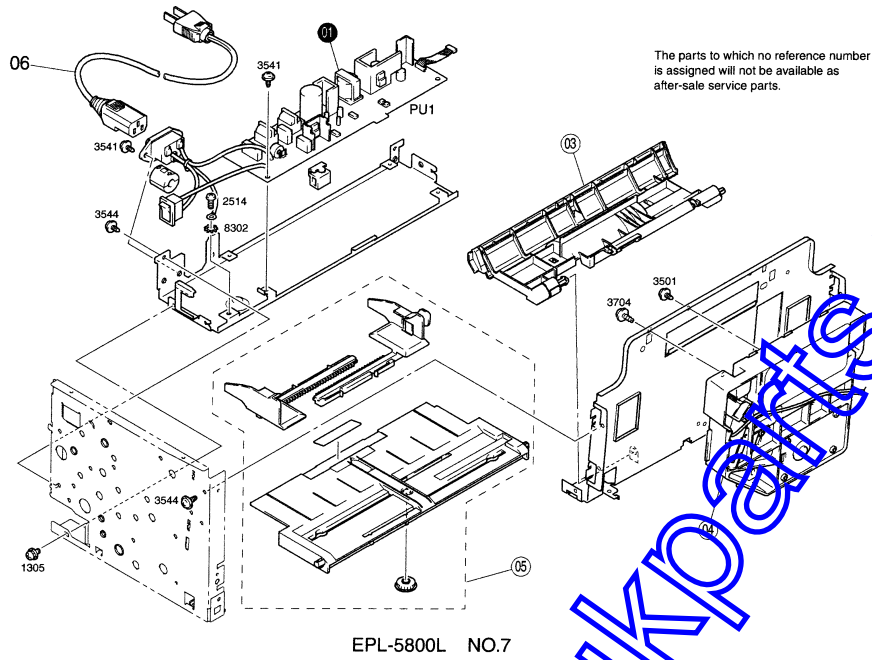


The parts to which no reference number is assigned will not be available as after-sale service parts.

EPL-5800L NO.6

EPSON EPL5800L

Important items in Bold Type
Page 6



www.drukparts.nl