

# EPSON EPL5700L

Page 1

| REF   | PART NO | DESCRIPTION            | QTY |
|-------|---------|------------------------|-----|
| 1-06  | 1040693 | TRAY                   | 1   |
| 1-07  | 1040697 | CASSETTE BODY          | 1   |
| 1-08  | 1013911 | GEAR 14T               | 1   |
| 1-09  | 1040698 | TABLE                  | 1   |
| 1-10  | 1040699 | GUIDE                  | 1   |
| 1-11  | 1040700 | GUIDE                  | 1   |
| 1-12  | 1040694 | RIGHT COVER            | 1   |
| 1-13  | 1040701 | COVER                  | 1   |
| 1-14  | 1040695 | COVER                  | 1   |
| 1-15  | 1040696 | TRAY ASSY              | 1   |
| 1-16  | 1040702 | SHEET                  | 1   |
| 1-17  | 1050609 | LOGO PLATE:B           | 1   |
| 1-450 | 2031327 | PANEL                  | 1   |
| 2-01  | 1040703 | GUIDE                  | 2   |
| 2-02  | 1048622 | ROLLER                 | 2   |
| 2-03  | 1048624 | GUIDE LEVER            | 1   |
| 2-04  | 1040706 | GEAR ASSY              | 1   |
| 2-05  | 1040709 | TORSION SPRING         | 2   |
| 2-06  | 1040710 | COVER                  | 1   |
| 2-07  | 1040711 | LOCK LEVER             | 1   |
| 2-08  | 1040712 | PLATE                  | 1   |
| 3-01  | 1021636 | BUSHING                | 2   |
| 3-02  | 1040714 | CAM                    | 1   |
| 3-03  | 1040715 | ROLL                   | 2   |
| 3-04  | 1048613 | ROLLER                 | 1   |
| 3-05  | 1040717 | ROLLER                 | 1   |
| 3-06  | 1040718 | HOLDER                 | 1   |
| 3-07  | 1040719 | PRESSURE SPRING        | 1   |
| 3-08  | 1040720 | JOINT                  | 1   |
| 3-09  | 1048612 | BUSHING                | 1   |
| 3-10  | 1049484 | GEAR                   | 1   |
| 3-11  | 1048614 | SHAFT                  | 1   |
| 3-12  | 1049485 | GEAR                   | 1   |
| 3-13  | 1040725 | GEAR 36T               | 1   |
| 3-14  | 1040726 | SHOULDERED SCREW       | 1   |
| 3-15  | 2027738 | SOLENOID               | 1   |
| 3-16  | 1040727 | TORSION SPRING         | 1   |
| 3-17  | 1040728 | PLATE                  | 1   |
| 3-18  | 1040729 | PLATE                  | 1   |
| 3-19  | 1014684 | PIN                    | 1   |
| 3-20  | 1040730 | LEVER                  | 1   |
| 3-21  | 1040731 | TORSION SPRING         | 1   |
| 3-22  | 1040732 | ARM                    | 1   |
| 3-23  | 1040733 | SEPARATED PAD          | 1   |
| 3-24  | 1040734 | PRESSURE SPRING        | 1   |
| 3-25  | 2027737 | PAPER PICK UNIT        | 1   |
| 4-01  | 1040801 | HOLDER                 | 1   |
| 4-02  | 1040802 | GEAR 36T               | 1   |
| 4-03  | 1040803 | BUSHING                | 1   |
| 4-04  | 1040804 | FUSING ROLLER-FNT      | 1   |
| 4-05  | 2028090 | TUBE LAMP(HI 230V)     | 1   |
| 4-06  | 1040805 | FUSING ROLLER-RR       | 1   |
| 4-07  | 1040806 | BUSHING                | 2   |
| 4-08  | 1040807 | PRESSURE SPRING        | 2   |
| 4-09  | 1040808 | GUIDE                  | 1   |
| 4-10  | 2027766 | HARNESS                | 1   |
| 4-11  | 2027763 | HARNESS                | 1   |
| 4-12  | 2027764 | PHOTO INTERRUPTER(PS3) | 1   |
| 4-13  | 2027765 | ACTUATOR               | 1   |
| 4-14  | 1040809 | BUSHING                | 1   |
| 4-15  | 1040810 | SAPARATOR              | 4   |
| 4-16  | 1040811 | TERMINAL               | 1   |
| 4-17  | 2027766 | THERMISTOR(TH1)        | 1   |
| 4-18  | 2027767 | THERMOSTAT(TS1)        | 1   |
| 4-19  | 1040813 | HOLDER                 | 1   |
| 4-20  | 1048620 | GUIDE                  | 1   |
| 4-21  | 1040815 | SHEET                  | 1   |
| 4-22  | 1048615 | HOUSING ASSY           | 1   |

# EPSON EPL5700L

Page 2

| REF   | PART NO | DESCRIPTION       | QTY |
|-------|---------|-------------------|-----|
| 4-23  | 2028488 | FUSING UNIT(230V) | 1   |
| 4-28  | 1048616 | HOLDER L          | 1   |
| 4-29  | 1048617 | HOLDER R          | 1   |
| 4-30  | 1048618 | STOPPER L         | 1   |
| 4-31  | 1048619 | STOPPER R         | 1   |
| 4-32  | 1013954 | SEPARATOR ROLL    | 2   |
| 5-01  | 1048630 | FRAME             | 1   |
| 5-04  | 2027740 | MOTOR(M1)         | 1   |
| 5-05  | 1040738 | GEAR 40T          | 1   |
| 5-06  | 1040739 | GEAR 18/50T       | 1   |
| 5-07  | 1040740 | GEAR 20/44T       | 1   |
| 5-08  | 1040741 | GEAR 20/52T       | 1   |
| 5-09  | 1040742 | GEAR 24/30T       | 1   |
| 5-10  | 1040743 | GEAR 20/48T       | 1   |
| 5-11  | 1040744 | GEAR 20/32T       | 1   |
| 5-12  | 1040745 | GEAR 17/42T       | 1   |
| 5-13  | 1040746 | GEAR 26T          | 1   |
| 5-14  | 1040747 | GEAR 21/50T       | 1   |
| 5-15  | 1040748 | GEAR 17T          | 1   |
| 5-16  | 1040749 | GEAR 27T          | 1   |
| 5-17  | 1040750 | GEAR 18/42T       | 1   |
| 5-18  | 1040752 | GEAR 17/25T       | 1   |
| 5-19  | 1040753 | GEAR 21/56T       | 1   |
| 5-20  | 1040754 | GEAR 20T          | 1   |
| 5-21  | 1040755 | GEAR              | 1   |
| 5-22  | 1040756 | GEAR 22/43T       | 1   |
| 5-23  | 2027744 | PWB-HV            | 1   |
| 5-24  | 1040757 | PLATE             | 1   |
| 5-25  | 2027745 | HARNESS           | 1   |
| 5-26  | 2027746 | HARNESS           | 1   |
| 5-27  | 2027747 | SWITCH(PS2)       | 1   |
| 5-28  | 1040758 | PRESSURE SPRING   | 1   |
| 5-29  | 1040759 | GUIDE             | 1   |
| 5-30  | 1040760 | GUIDE ASSY        | 1   |
| 5-31  | 1040761 | GEAR 21T          | 1   |
| 5-32  | 1040762 | BUSHING           | 1   |
| 5-33  | 1040763 | ROLLER            | 1   |
| 5-34  | 1040764 | GUIDE             | 1   |
| 5-35  | 1040765 | BUSHING           | 1   |
| 5-36  | 1040766 | BUSHING           | 1   |
| 5-37  | 1040767 | PRESSURE SPRING   | 1   |
| 5-38  | 1040768 | POLYESTER FILM    | 1   |
| 5-39  | 1040769 | TORSION SPRING    | 1   |
| 5-40  | 2027748 | HARNESS           | 1   |
| 5-41  | 2027739 | DRIVE UNIT        | 1   |
| 5-42  | 2027743 | TRANSFER UNIT     | 1   |
| 6-01  | 1040770 | COVER             | 1   |
| 6-02  | 2032076 | HARNESS           | 1   |
| 6-03  | 2027750 | SWITCH            | 1   |
| 6-04  | 1040771 | BRACKET           | 1   |
| 6-05  | 1040772 | COVER             | 2   |
| 6-06  | 1048621 | RUBBER FOOT       | 4   |
| 6-07  | 1040775 | POLYESTER FILM    | 1   |
| 6-08  | 1040776 | GROUND PLATE      | 1   |
| 6-09  | 2027751 | HARNESS           | 1   |
| 6-10  | 2032079 | SWITCH            | 1   |
| 6-12  | 1031615 | SHOULDERED SCREW  | 1   |
| 6-13  | 2027754 | HARNESS           | 1   |
| 6-15  | 1040779 | COVER             | 1   |
| 6-16  | 1040780 | BRACKET           | 1   |
| 6-17  | 1040782 | GROUND PLATE      | 2   |
| 6-18  | 1040783 | COVER             | 1   |
| 6-19  | 1040784 | PLATE             | 1   |
| 6-20  | 1040785 | WASHER            | 2   |
| 6-21  | 2027757 | PWB SUPPORT 6.35H | 1   |
| 6-22  | 2027758 | IC                | 1   |
| 6-25  | 1042729 | PLATE             | 1   |
| 6-200 | 2032999 | BOARD ASSY.,MAIN  | 1   |

# EPSON EPL5700L

Page 3

| REF  | PART NO | DESCRIPTION               | QTY |
|------|---------|---------------------------|-----|
| 7-01 | 1040786 | GUIDE                     | 1   |
| 7-02 | 2028487 | PWB-PU(PU1 230V)          | 1   |
| 7-04 | 1040787 | BRACKET                   | 1   |
| 7-05 | 1040788 | GUIDE PLATE               | 1   |
| 7-06 | 1040789 | GUIDE PLATE               | 1   |
| 7-07 | 1040790 | SHEET                     | 4   |
| 7-08 | 1040791 | SHEET                     | 1   |
| 7-09 | 1040792 | LIFTING PLATE             | 1   |
| 7-10 | 1048627 | HOLDER                    | 1   |
| 7-11 | 1013911 | GEAR 14T                  | 1   |
| 7-12 | 2027759 | PRINT HEAD UNIT           | 1   |
| 7-13 | 1040794 | HOLDER                    | 1   |
| 7-14 | 1040795 | TORSION SPRING            | 1   |
| 7-15 | 1040796 | WIRING SADDLE 18.5        | 1   |
| 7-16 | 1015333 | EDGE COVER 8.5H           | 4   |
| 7-17 | 1004683 | EDGE COVER 15H            | 1   |
| 7-23 | 1052377 | SPACER                    | 4   |
| 03   | 5007676 | PAD SET                   | 1   |
| 04   | 5007680 | PAD,ACCESSORY             | 1   |
| 05   | 5007681 | FIXING PAD,CASSETTE GUIDE | 2   |
| 06   | 5007682 | POLY BAG,PRINTER          | 1   |
| N/A  | 4011133 | REFERENCE GUIDE           | 1   |
| END  |         |                           |     |
|      |         |                           |     |
|      |         |                           |     |
|      |         |                           |     |
|      |         |                           |     |
|      |         |                           |     |
|      |         |                           |     |

[www.drukparts.pl](http://www.drukparts.pl)

1 HOUSING

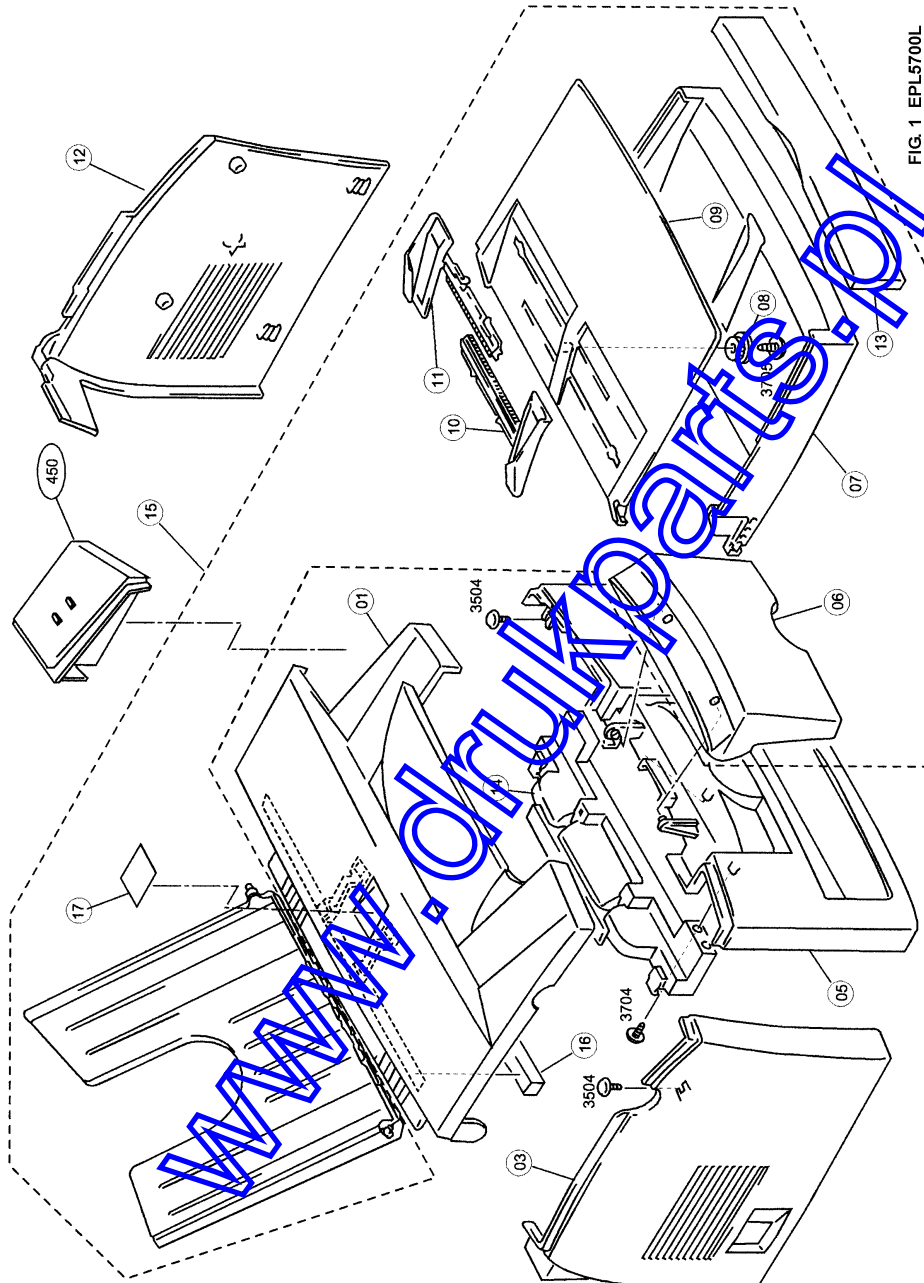
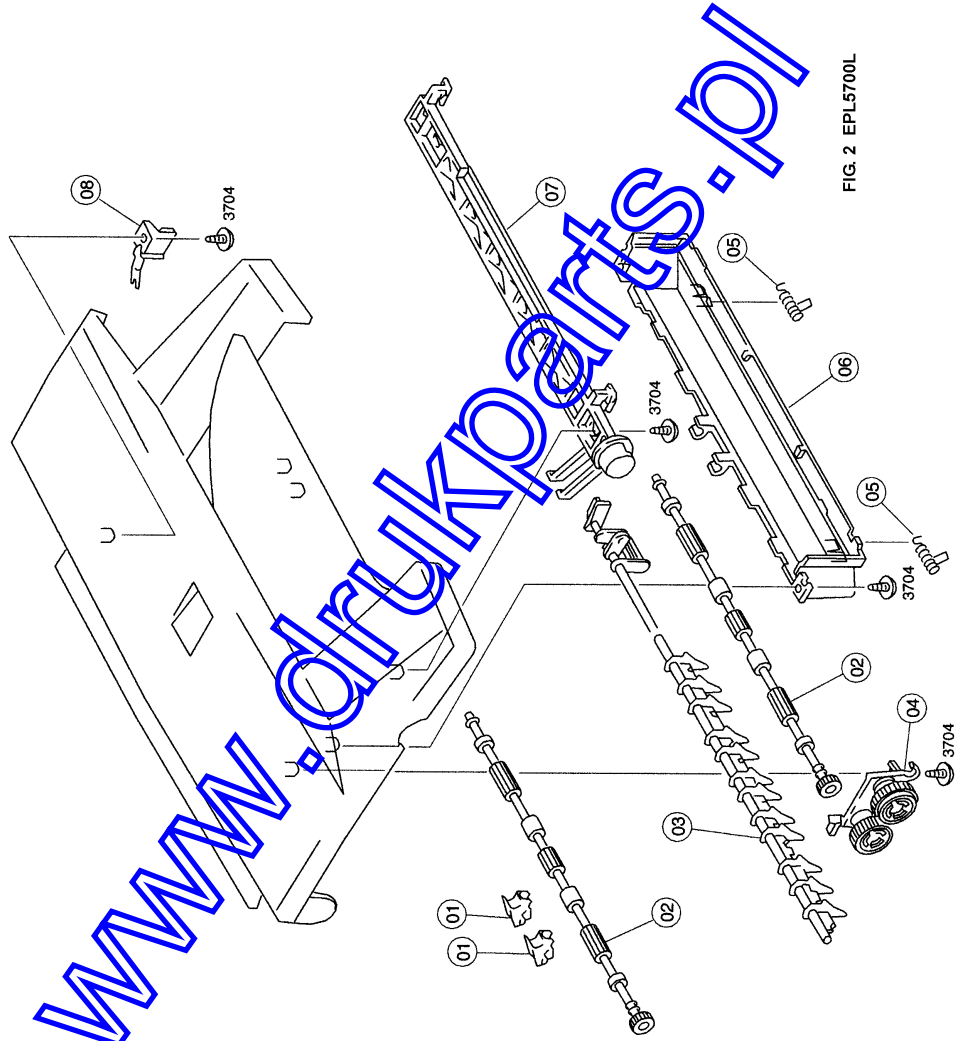


FIG. 1 EPL5700L

2 PAPER EXIT SECTION



3 PAPER TAKE-UP SECTION

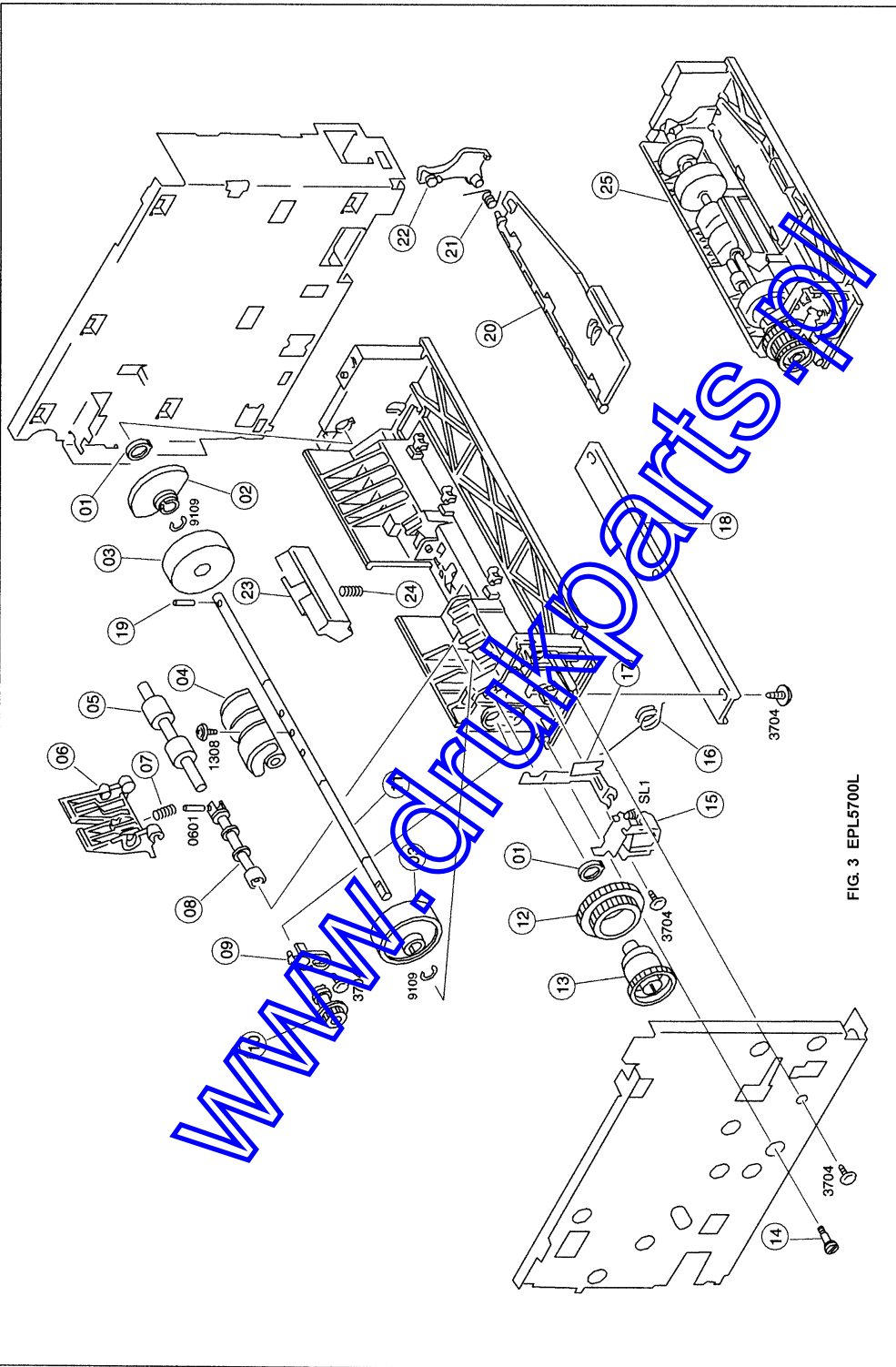


FIG. 3 EPL5700L

3 PAPER TAKE-UP SECTION

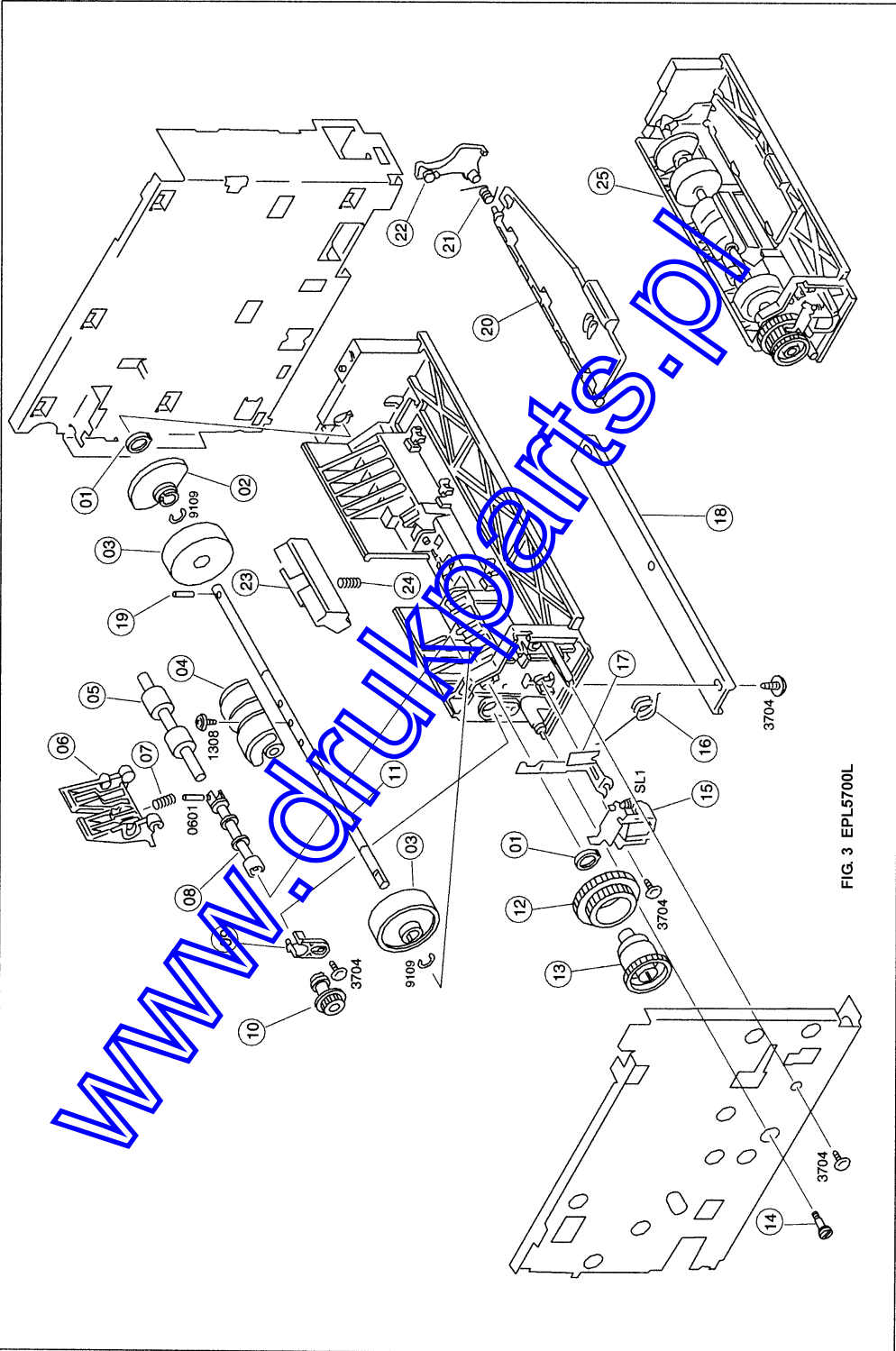


FIG. 3 EPL5700L

4 FUSING UNIT

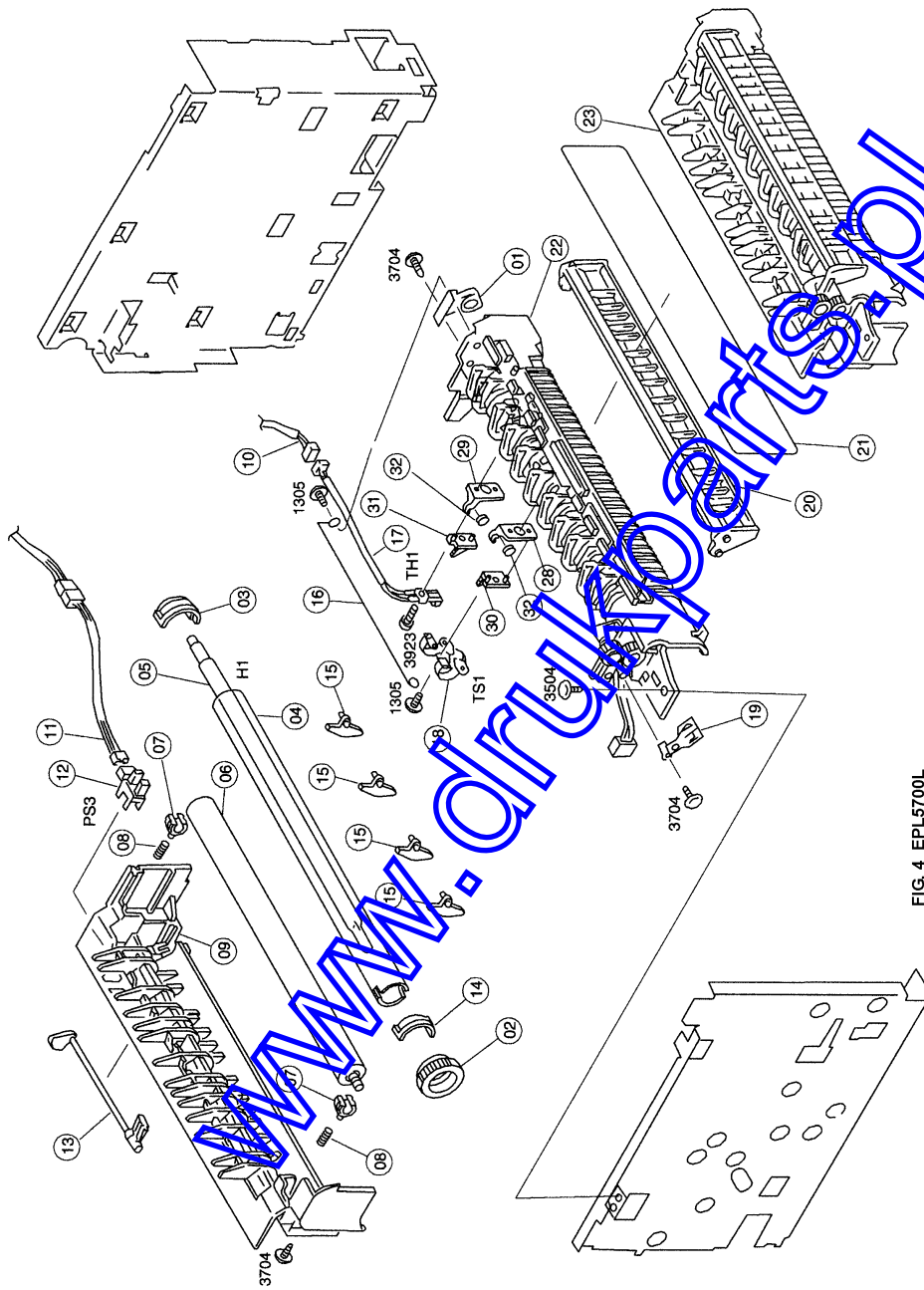


FIG. 4 EPL5700L



5 DRIVE/TRANSFER UNIT

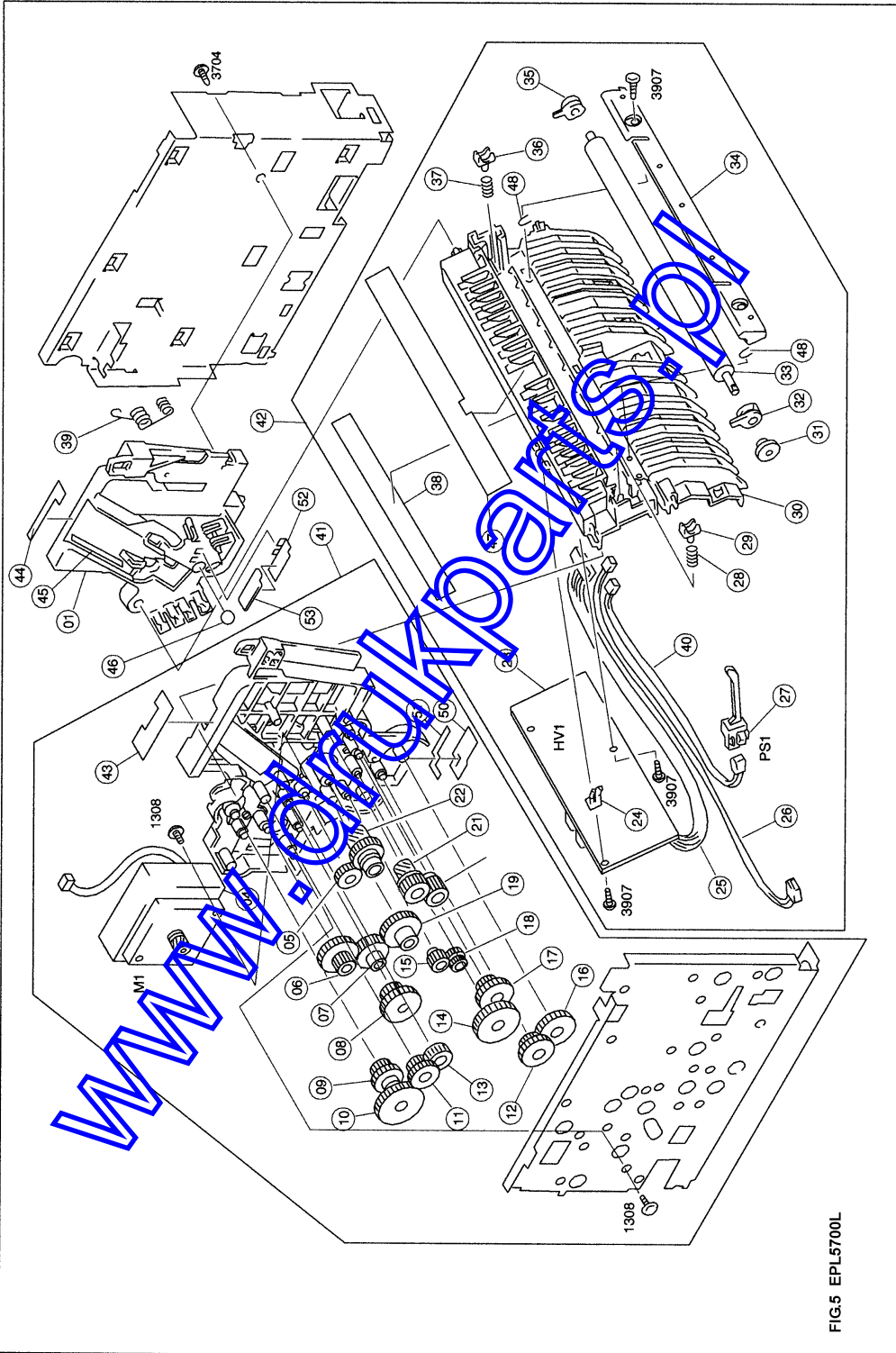


FIG.5 EPL5700L

6 FRAMES I

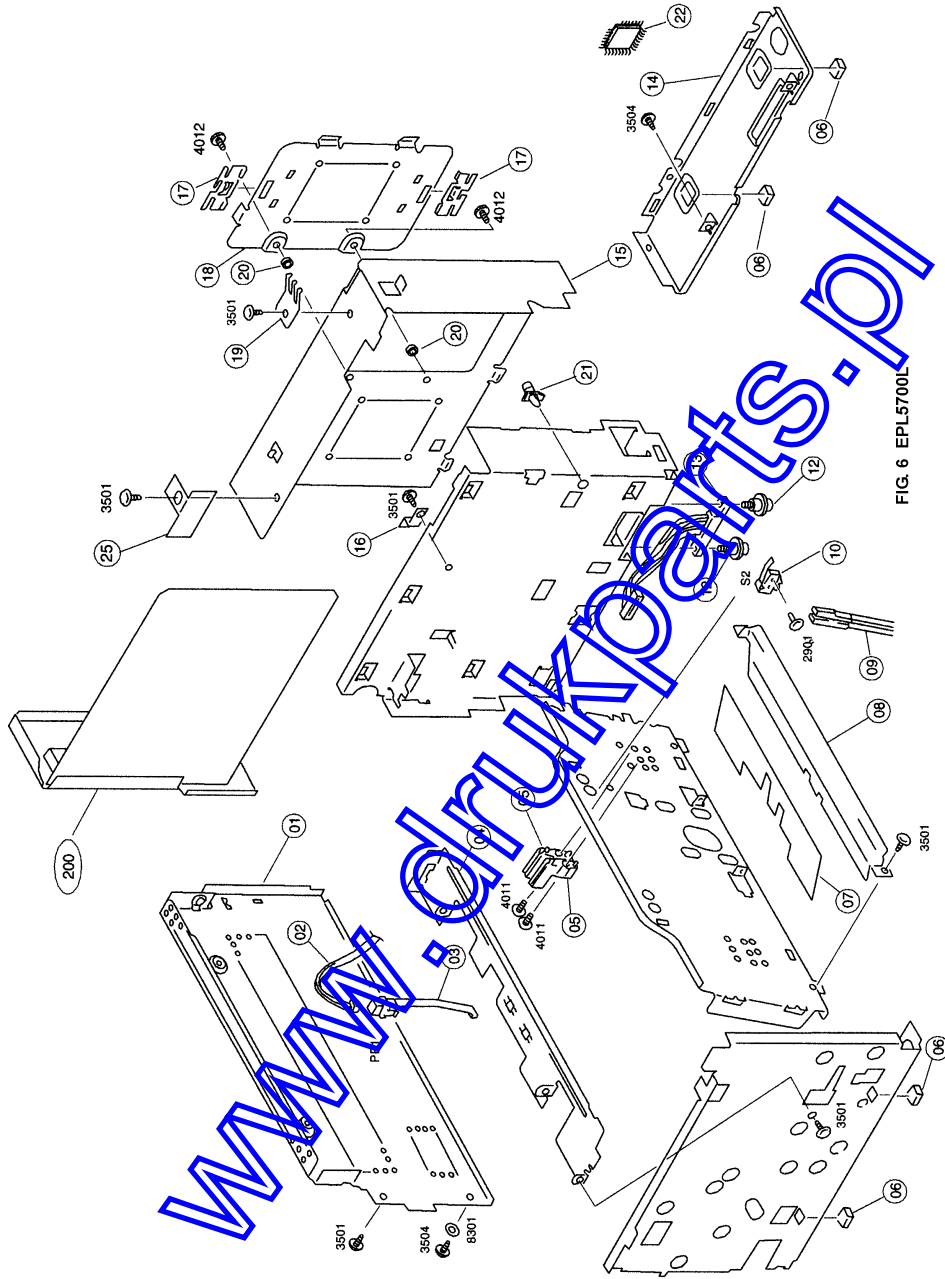


FIG. 6 EPL5700L

7 FRAMES II

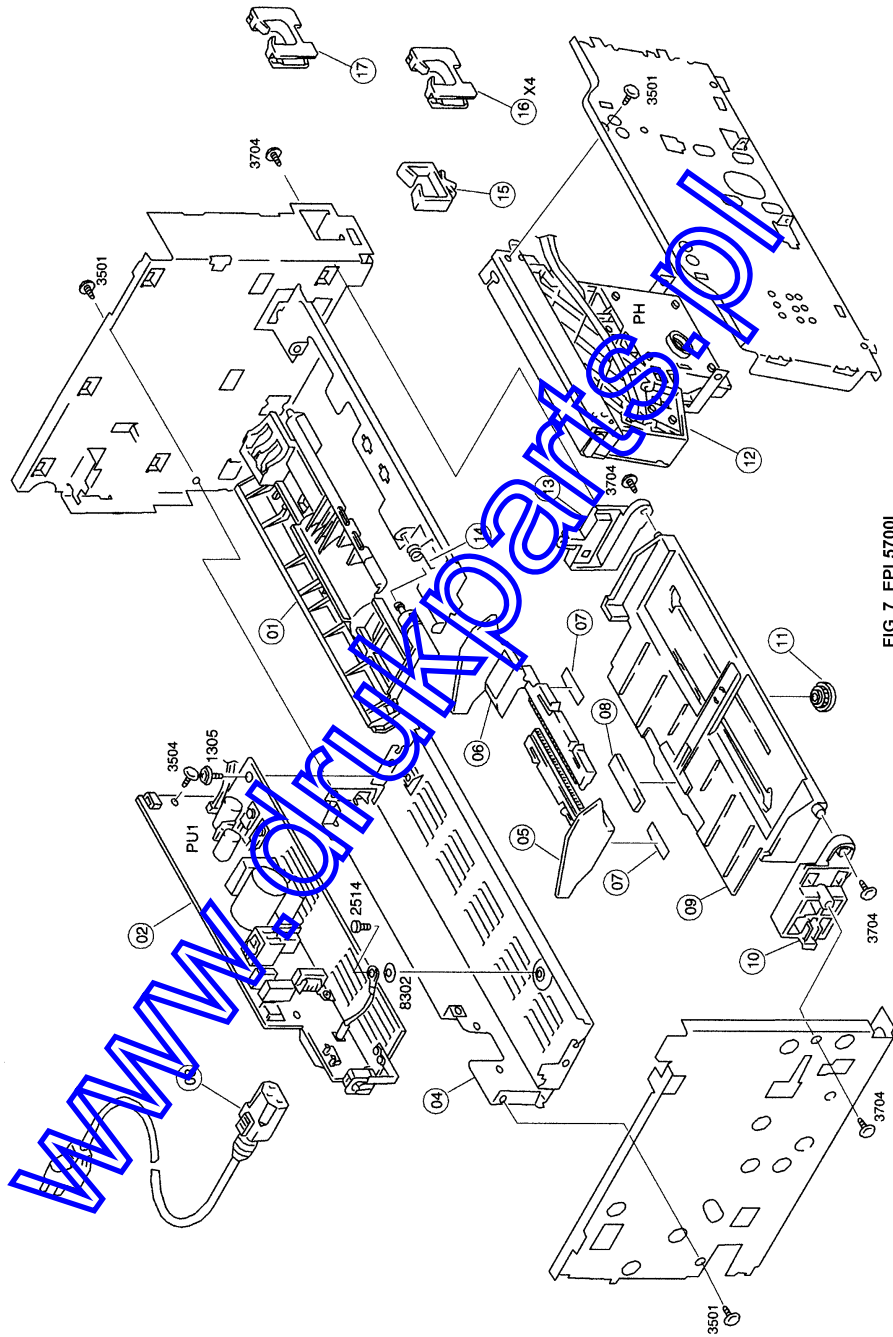


FIG. 7 EPL5700L

www.epson.com

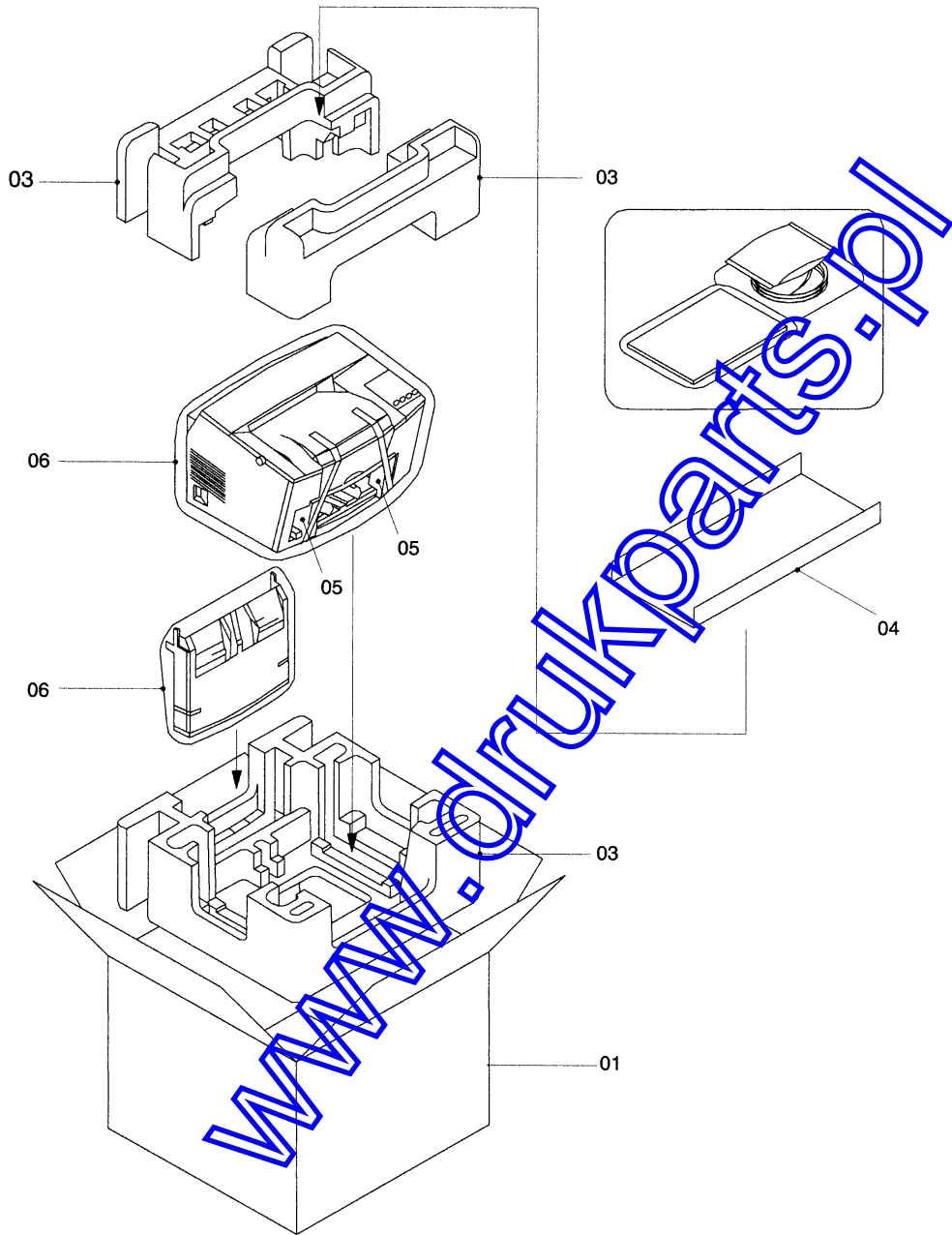


FIG. 8 EPL5700L