

NB: PART NO. RATIONALISATION –10 digit part nos. in brackets are the old numbers for otherwise identical items

DLQ 3500

Page 1

REF	PART NO	DESCRIPTION	SPEC	QTY
100	1062897	HOUSING,LOWER		1
103	1062898	HOUSING,UPPER		1
105	1057758	CAP,G,ADJUST;ECB2		1
107	1073755	RUBBER FOOT(F344551030)		4
108	1062930	SHIELD PLATE,LOWER		1
109	1063453	KNOB		1
110	1062900	COVER,PRINTER,UPPER		1
111	1062908	HOUSING,PANEL		1
112	1062912	COVER,PG SWITCH		1
113	1062907	COVER,PRINTER,LOWER		1
114	1062948	COVER.ASA		1
115	1062947	SOUND PROOF PAD		1
116	1062932	MOUNTING PLATE,CONNECTOR,CSF		1
117	1062928	FRAME,SHEET,GUIDE,FRONT,UPPER;F		1
118	1062915	COVER,SHEET GUIDE		1
119	1062920	FRAME,SHEET GUIDE,FRONT,BOTTOM		1
120	1084059	LOGO PLATE;B		1
122	1054584	GROUNDING PLATE		1
125	1033847	GROUNDING,CONNECTOR,CSF		1
127	1054570	EDGE GUIDE		1
129	1062931	SHIELD PLATE,UPPER		1
130	1011863	GROUNDING PLATE,I/F,UPPER		1
131	1062938	GROUNDING PLATE,I/F		1
132	1062933	MOUNTING PLATE,CONECTOR,ASA		1
133	1062925	HOUSING,INTERLOCK		1
134	1062926	HOLDER,INTERLOCK		1
135	1062929	COVER,CABLE		1
136	1062936	GROUNDING PLATE,PANEL		1
137	1062940	COVER,INTERLOCK		1
138	1062945	SHEET,INTERLOCK		1
139	2025191	HARNES, MACHINE, GROUNDING		1
140	2047619	HARNES, DIGITAL SWITCH	'''	1
141	1063471	SHEET,PANEL		1
150	1054573	HOLDER,PAPER;J		1
151	1044569	LOCK LEVER,EDGE GUIDE		1
152	1054577	EDGE GUIDE,SPRING		2
189	1021825	C.B.B. SCREW(B310206)	M4X14	1
190	1003164	C.B.P-TITE SCREW (B310206) F/ZN		1
190	1003164	C.B.P-TITE SCREW (B310206) F/ZN		1
191	1004527	C.P.SCREW(B01040527)	M3X4	1
192	1073165	C.B.S. SCREW(B010204211)	M3X6	1
194	1071064	C.B.SCREW,2.5X5,F/ZN(B010302211)	M2.5X5	2
195	1002865	C.B.SCREW	M4X16	1
200	2047632	BOARD ASSY.,MAIN	5738A:STANDARD	1
203	1039408	GUIDE,I/F BOARD;B;W	ECW	1
300	2056535	BOARD ASSY., POWER SUPPLY	5741B,CHANGE OF CN1	1
310	2047641	BOARD ASSY.,PANEL	5742A:STANDARD	1
330	2024253	PRINTED CIRCUIT BOARD,ASSEMBLY,PG		1
451	2037258	FAN ASSEMBLY		1
500	2056197	PRINTER MECHANISM(ASP),M5X60100		1
502	1062803	FRAME,CR		1
503	1062825	SHAFT,CR GUIDE,UPPER		1

NB: PART NO. RATIONALISATION –10 digit part nos. in brackets are the old numbers for otherwise identical items

DLQ 3500

REF	PART NO	DESCRIPTION	SPEC	QTY
504	1062784	RACK,APC		1
505	1062867	EXTENSION SPRINT,1.96		1
506	2047660	DETECTOR ASSY.,PW,LEFT		1
507	2047661	DETECTOR ASSY.,PW,RIGHT		1
508	1062811	COVER,TRACTOR		1
509	1002902	CLAMP		6
510	1062809	GROUNDING PLATE,CR MOTOR		1
511	1062805	MOUNTING PLATE,MOTOR,CR		1
512	1001729	OIL PAD,PLAIN,LOWER		1
513	1062775	COVER,OIL PAD		1
514	1062870	EXTENSION SPRINT,12.61		1
515	1062862	TIMING BELT,CR		1
516	1080228	MOUNTING PLATE,FAN		1
517	1062802	PAPER GUIDE		1
518	1062863	TIMING BELT,PF,FRONT		1
519	1062864	TIMING BELT,PF,REAR		1
520	1062860	ROLLER,PAPER LOAD,DRIVE		1
521	1062778	PULLEY,REAR		1
522	1062804	FRAME,SUB,CR		1
523	2047788	MOTOR ASSEMBLY,PG		1
524	1062822	MOUNTING PLATE,MOTOR,PG		1
525	1001766	SPUR GEAR,18		1
526	1001767	COMBINATION GEAR,15,18		1
527	1062782	PULLEY,FRONT		1
528	1062757	SPUR GEAR,25		1
529	1062759	SPUR GEAR,16		1
530	1062755	SPUR GEAR,17.5		1
531	1062760	COMBINATION GEAR,14,21		1
532	1062772	COMBINATION GEAR,10,30		1
536	1062881	SHEET,PROTECT,FFC		1
537	1063242	FRAME ASSEMBLY,LEFT		1
538	1063243	FRAME ASSEMBLY,RIGHT		1
539	1062810	FRAME,BASE		1
540	1062787	HOLDER,PAPER LOAD ROLLER		1
541	1062766	LEVER,PAPER LOAD		1
542	1062807	TENSIONER		1
543	1025296	PAPER SUPPORT		1
544	1033766	PIN,LOCATE,CAM BRIDGE		1
549	1054554	SHEET,REFLECTION PIPE DETECTOR		1
550	1062747	COMBINATION GEAR,8,40		1
551	1062748	INTERMITTENT GEAR,40		1
552	1062749	CAM,22.1		1
553	1062750	CAM,26.1		1
554	1062752	HOLDER,RIBBON CARTRIDGE		1
558	1062761	SPUR GEAR,31		1
560	1063245	CARRIAGE ASSEMBLY		1
563	1062765	SPUR GEAR,25		1
564	2047786	MOTOR ASSEMBLY,CS		1
565	2047658	BOARD ASSY.,CS		1
566	1091129	HOLDER,RIBBON MASK		1
567	1062869	EXTENSION SPRINT,14.5		1
574	1062880	SHEET,PROTECT,FFC,RIGHT		1

NB: PART NO. RATIONALISATION –10 digit part nos. in brackets are the old numbers for otherwise identical items

DLQ 3500

REF	PART NO	DESCRIPTION	SPEC	QTY
575	1063247	RIBBON MASK ASSEMBLY		1
577	1062861	ROLLER,PAPER EJECT,DRIVE		1
578	1077934	RIBBON DRIVE SHAFT SET B		1
581	1062850	SHAFT,TR,DRIVE		1
582	1082892	TRACTOR,LEFT		1
583	1082891	TRACTOR,RIGHT		1
584	2024189	DETECTOR,PE,REAR		1
585	1062851	SHAFT,TR,REAR		1
586	2047603	CABLE,HEAD,FRONT		1
587	2047604	CABLE,HEAD,REAR		1
588	2047608	HARNESS,DETECTOR,HP	,,,	1
590	2047612	HARNESS,PE DETECTOR,REAR	,,,	1
593	1037223	COVER,CONNECTOR,UPPER	ECW	1
595	1054523	SHEET,DIGITAL SWITCH		1
596	2047784	MOTOR ASSEMBLY,CR	,	1
597	2047785	MOTOR ASSEMBLY,PF	,	1
598	2054097	FAN ASSEMBLY	3W,DC	1
599	1062774	SLIDER,CR		1
600	1062793	COMBINATION GEAR,9.5,19		2
601	1062868	EXTENSION SPRINT,88.8		1
604	2047956	HARNESS		1
605	2056360	HARNESS		1
606	1073532	PLATEN SHAFT HOLDER(F334005230)		1
607	2047958	HARNESS		1
608	2047959	HARNESS		1
609	2047960	HARNESS		1
610	2047962	HARNESS		1
611	2047964	HARNESS		1
612	2047965	HARNESS		1
615	1001728	OIL PAD,PLAIN,UPPER		1
620	1084632	PLATEN ASSY.,ASP		1
621	1084631	FRAME ASSY.,BASE,ASP		1
622	1084633	PAPER EJECT UNIT ASSY.,ASP		1
628	1016275	OIL PAD,CLEANING		1
650	F087000	PRINT HEAD	BAMBOO	1
651	1062792	SPUR GEAR,17		1
652	1062799	CAM,CS		1
653	1063246	LEVER ASSEMBLY,,PLAIN		1
654	1062795	SPUR GEAR,22.5		1
655	1062794	SPUR GEAR,11		1
656	1062796	SPUR GEAR,27		1
657	1062790	COVER,RIBBON DRIVE		1
658	1062791	COVER,RIBBON SHIFT		1
659	1001747	FASTENER,RIBBON,PLAIN		1
660	1062808	FLAG,HP		1
661	1001795	SHAFT,PF,TENSION		1
662	1056023	RE USE CLAMP(RLWS-1TV0)		5
663	2047787	MOTOR ASSEMBLY,APC	,	1
664	1062816	MOUNTING PLATE,MOTOR,APC		1

NB: PART NO. RATIONALISATION –10 digit part nos. in brackets are the old numbers for otherwise identical items

DLQ 3500

REF	PART NO	DESCRIPTION	SPEC	QTY
665	2035588	BOARD ASSY.,PAPER THICKNESS DETECTOR	,	1
666	1062817	MOUNTING PLATE,PE,DETECTOR		1
667	1080504	SHEET,PROTECT,CABLE		1
668	1080230	PULLEY ASSEMBLY DRIVEN		1
669	1062777	HOLDER,FFC		1
670	1062821	SUPPORT PLATE,SHAFT,CR,GUIDE,LOWER		1
671	1062818	LEVER,LEFT		1
672	1062819	LEVER,RIGHT		1
673	1073520	DAMPER(F334005100)		4
674	1073521	DAMPER SPACER(F334005110)		
676	1073749	CARTRIDGE MOUNTING LEVER(F344210020)		1
678	1062820	MOUNTING PLATE,DETECTOP,HP		1
679	2021833	DETECTOR,HP;C	4V,50MA,100MW,	1
680	2047610	HARNESS,DETECTOR,PG,HP	'''	1
681	2047609	HARNESS,PT DETECTOR	'''	1
682	2047613	HARNESS,DETECTOR,APC,HP	'''	1
683	1062831	SHAFT,CR,GUIDE,LOWER		1
684	1090046	FLANGE,MOTOR,PF		1
685	1081308	COVER,GEAR		1
686	1081309	LEVER,SHAFT,MOUNT,PE		1
687	1083694	SHEET,HOLDER,RIBBON CARTRIDGE,UPPER		1
688	1001791	SPUR GEAR,15.5		1
689	1084490	STOPPER,GUIDE,PAPER EJECT		1
690	1084778	DETECTOR,PE,REAR,ASP		1
691	1073171	C.B.S. SCREW(B300204311)	M3X8	4
END				

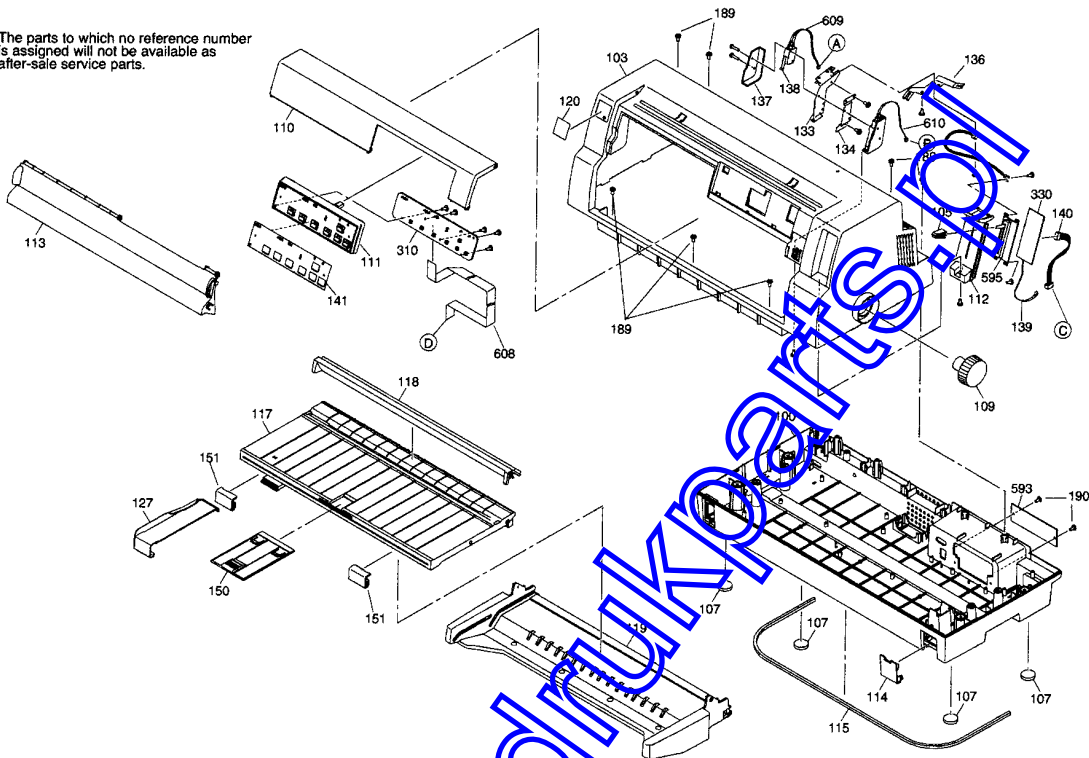
www.druckarts.pl

EPSON

NB: PART NO. RATIONALISATION –10 digit part nos. in brackets are the old numbers for otherwise identical items

DLQ 3500

The parts to which no reference number is assigned will not be available as after-sale service parts.



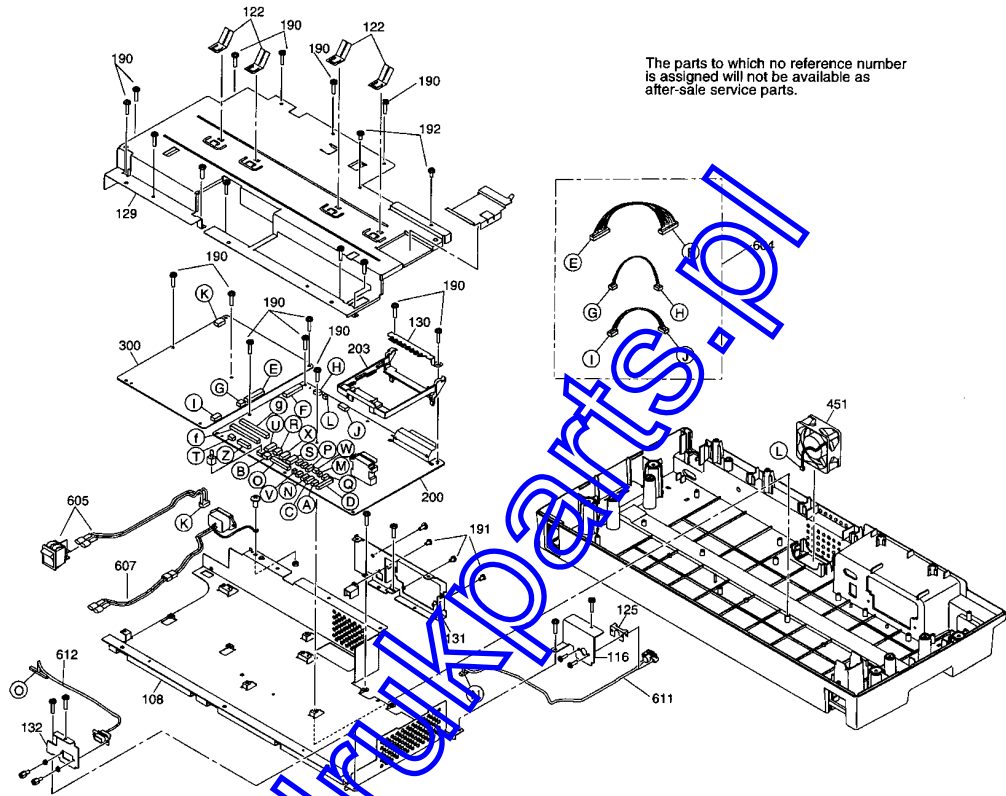
DLQ-3500 NO.01

www.drukparts.com

EPSON

NB: PART NO. RATIONALISATION –10 digit part nos. in brackets are the old numbers for otherwise identical items

DLQ 3500

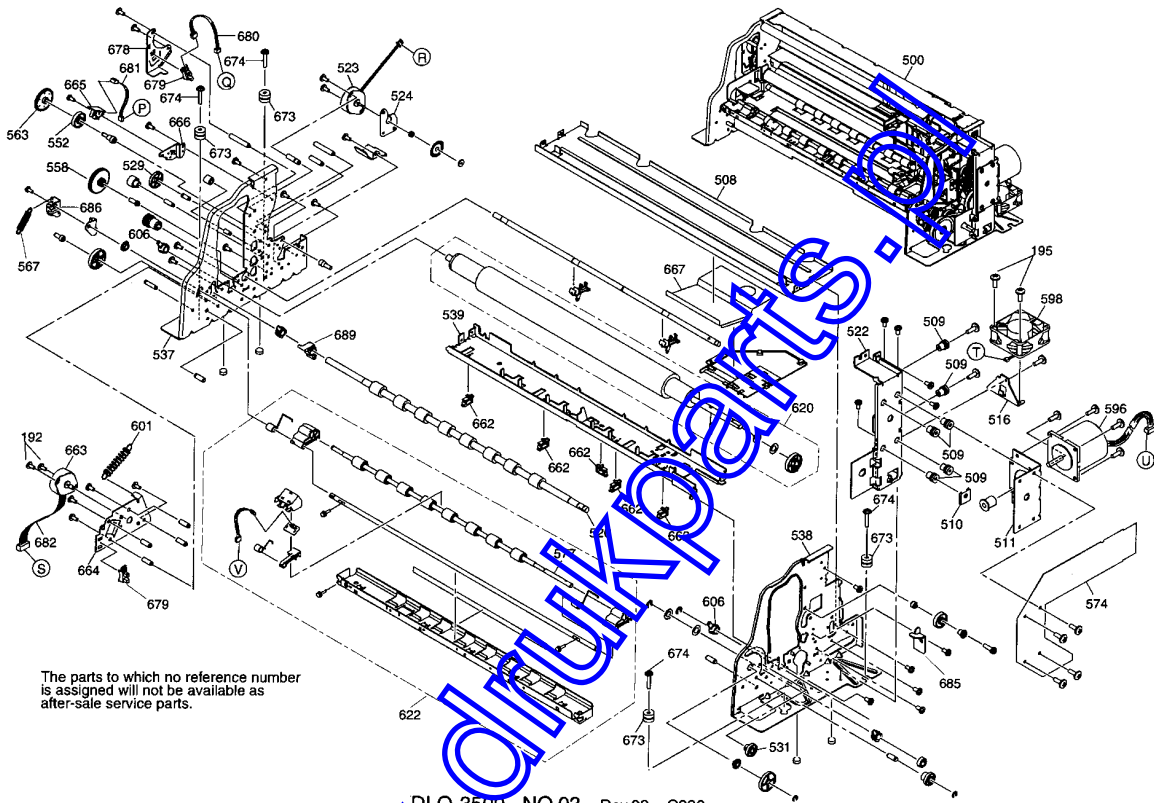


DLQ-3500 NO.02 Rev.02 C396

EPSON

NB: PART NO. RATIONALISATION –10 digit part nos. in brackets are the old numbers for otherwise identical items

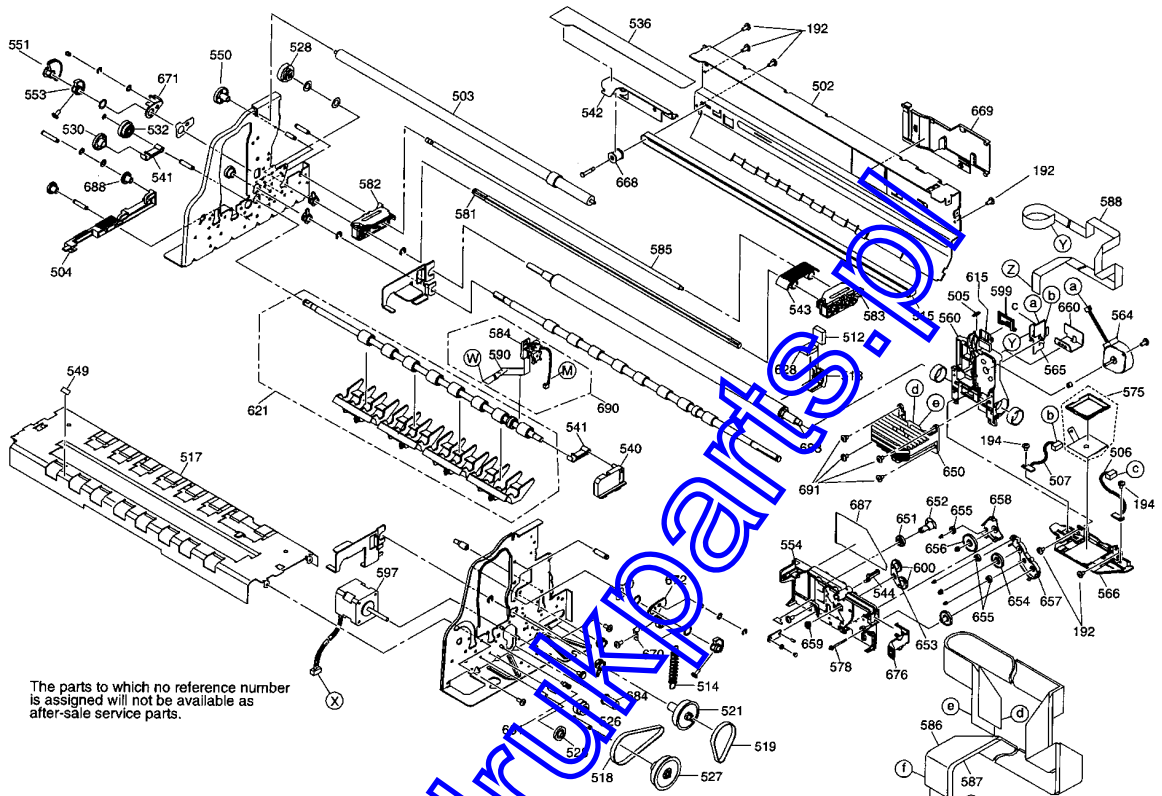
DLQ 3500



DLQ-3500 NO.03 Rev.03 C396

NB: PART NO. RATIONALISATION –10 digit part nos. in brackets are the old numbers for otherwise identical items

DLQ 3500



The parts to which no reference number is assigned will not be available as after-sale service parts.