

REF	PART NO.	REMARKS	QTY	DESCRIPTION
100	1037987	ECW	1	HOUSING ASSY., LOWER
101	1034327		1	FRAME ASSY., BOTTOM
102	1037983	ECW	1	COVER ASSY., FRONT
103	1037995		1	HOUSING ASSY., UPPER
104	1037990	ECW	1	HOUSING ASSY., TOP
105	1035001		1	LOGO PLATE
106	1037228	ECW	1	COVER, PAPER SUPPORT
107	1037232	ECW	1	CAP, LOWER
108	1042680		1	COVER, REAR
109	1037234	ECW	2	CAP, MAGNET
110	1037991		1	HOUSING SUB ASSY., TOP
111	1033164		1	COVER, I/F
112	1037985	ECW	1	MAGNET SUB ASSY., TOP
113	F346559100		4	MECHANISM MOUNTING SCREW
114	F346559120		4	TOP COVER HINGE SCREW
115	1037236		1	HOLDER, CONTROL PANEL
116	1037237		1	HOUSING, LEFT
117	1037238		1	HOUSING, RIGHT
118	1037992	ECW	1	COVER, TOP SUB ASSY.
119	1037993	ECW	1	COVER, PUSH TRACTOR SUB ASSY.
120	1037994	ECW	1	PAPER SUPPORT SUB ASSY.
121	1023598		1	MOUNT, INTER LOCK
122	1033165		1	SHIELD PLATE
123	1001321	M3X8	4	C.B.S.(O) SCREW
124	1001322	M4X6	1	C.B.(O) SCREW
125	B030103811	M3X16	2	C.P. SCREW WITH S/W
126	B300704411	M3X10	2	C.F.S.SCREW
127	B310204311	M3X8	4	C.B.B. SCREW
128	B300204311	M3X8	8	C.B.S. SCREW
129	B010303611	M3X12	4	C.B.SCREW
131	B310204411	M3X10	5	C.B.B. SCREW
132	B310204511	M3X12	15	C.B.B. SCREW
133	B310206311	M4X10	4	C.B.B.SCREW
134	B310206611	M4X16	30	C.B.B. SCREW
135	1037115	M4X8	5	C.P.(PS) SCREW
136	B303406211	M4X8	4	C.B.S.(O) SCREW
137	B300206511		4	C.B.S.SCREW, 4X14 F/ZN
138	B300204211	M3X6	3	C.B.S. SCREW
139	B310204412	M3X10	4	C.B.B. SCREW
140	1001323	M3X10	5	C.F.B. SCREW
141	B30020011	M3X4	4	C.B.S. SCREW
142	1002993		1	METAL, TRANSPORT, FIX, LEFT
143	F346559100		1	TRANSPORT LOCKING BRACKET
144	2000757	RISC-4	1	FERRITE CORE
145	2000924		1	FERRITE CORE
146	X507262100	RISC-8F	1	FERRITE CORE
147	B303404211	M3X6	3	C.B.S.(O) SCREW
152	1014915		1	DAMPER SHEET
153	1014916		1	DAMPER SHEET;B
159	1040235	ECW	1	SHAFT, FRONT, LOWER, RIGHT
160	1040236		1	SHAFT, FRONT, LOWER, LEFT
161	1015103		1	LEVER ASSY., LOCK, LEFT
162	1015104		1	LEVER ASSY., LOCK RIGHT
163	1040494		1	SPACER, PS UNIT
164	1016759		1	LEAF SPRING, BASE FRAME
165	1033167		1	COVER, DIP SWITCH

EPSON DFX8500

Page 2

REF	PART NO.	REMARKS	QTY	DESCRIPTION
166	1037223	ECW	1	COVER, CONNECTOR, UPPER
167	B045800311	M3X8 F/ZN	1	C.B.(O)SCREW
168	X610058726		2	CONNECTOR LOCK NUT
170	2017404	2.5,30V,6A,	1	DETECTOR, INTERLOCK
171	2023807		1	BOARD ASSY., SUB
172	1033166		1	GROUNDING PLATE, MECHANISM PLATE
173	1033170		1	SHIELD PLATE, DRV-B
174	1033171		1	SHIELD PLATE, DRV
175	1033683		1	GROUNDING PLATE, BRACKET
176	1033172		1	MOUNT, DIP SWITCH
200	2024768		1	BOARD ASSY., MAIN EUR
201	X610059030	DBUE-#4-40UNC	2	SCREW EUR
202	1006374		1	GUIDE, I/F BOARD
203	1016570		1	BRACKET, I/F
204	1033169		1	SHIELD PLATE, MAIN
205	1016572		1	EARTH SPRING;B
206	2024025		1	HARNESS
212	B300204211	M3X6	5	C.B.S. SCREW
IC5	2028532	4M BIT	1	P-ROM, TDP00
B1-B5	2020466	120 OHM	5	EMI FILTER
CN1	2024022		1	HARNESS
CN11	2007160	36PIN	1	CONNECTOR
CN12	2012956		1	CONNECTOR
CN13	X600440700	7 PIN	1	CONNECTOR
CN14	2024234	50,	1	CONNECTOR
CN15	2005958		1	CONNECTOR
CN16	2024250	7,	1	CONNECTOR
CN2	2008659	20PIN	1	CONNECTOR
CN3	X600440120	2 PIN	1	CONNECTOR
CN4	X600440410	4 PIN	1	CONNECTOR
CN5	X600441410		1	CONNECTOR
CN6	2001380	7 PIN	1	CONNECTOR
CN7	X600310600	6 PIN	1	CONNECTOR
CN8-CN10	X600310800	8 PIN	2	CONNECTOR
CN9	2024233	7,	1	CONNECTOR
CRU1	2026761	24.57MHZ,	1	CERAMIC OSCILLATOR
CRU2	2024231	19.66MHZ,	1	CERAMIC OSCILLATOR
C1	2025973	TP,0OHM,1/10W,+1%	1	CHIP RESISTOR FOR SUB B/D
C1-C2-C7	2002486	0.1UF DC25V +80% -20%	3	CHIP CAPACITOR
C10	2011982	22UF 16V	1	ELECTRIC ALMI CAPACITOR
C100-C106	2002486	0.1UF DC25V +80% -20%	7	CHIP CAPACITOR
C107-C110	2003619		4	CHIP CAPACITOR
C11-C26	2002486	0.1UF DC25V +80% -20%	2	CHIP CAPACITOR
C111	2002486	0.1UF DC25V +80% -20%	1	CHIP CAPACITOR
C112-C113	2003619		2	CHIP CAPACITOR
C114-C133	2002486	0.1UF DC25V +80% -20%	20	CHIP CAPACITOR
C15	X271122211	220PF 50V 10%	1	CHIP CAPACITOR
C16-C21	2001800	BL,6800UF,50V,+20%,	6	ELECTROLYTIC CAPACITOR
C199-C200	X271122211	220PF 50V 10%	2	CHIP CAPACITOR
C2	X285121011	100PF 50V 5%	1	CHIP CAPACITOR FOR SUB B/D
C203	2024100	TP,180PF,50V,+5%,	1	CHIP CAPACITOR
C204-C207	X271122211	220PF 50V 10%	4	CHIP CAPACITOR
C208-C209	2002495	TP,100PF,50V,+5%,	2	CHIP CAPACITOR
C210-C212	X271123911	390PF DC50V 10%	3	CHIP CAPACITOR
C213-C217	X271122211	220PF 50V 10%	5	CHIP CAPACITOR

ESP0539/2

REF	PART NO.	REMARKS	QTY	DESCRIPTION
C22-C25	2017590	TP,1UF,50V,+20%,	4	ELECTROLYTIC CAPACITOR
C27-31-C58	X271123911	390PF DC50V 10%	6	CHIP CAPACITOR
C3	2017467		1	CHIP CAPACITOR FOR SUB B/D
C3-C66	2002487	0.01UF 50V 10%	2	CHIP CAPACITOR
C304-C311	X271122211	220PF 50V 10%	8	CHIP CAPACITOR
C33-C35	2002486	0.1UF DC25V +80% -20%	3	CHIP CAPACITOR
C38-C40	2002486	0.1UF DC25V +80% -20%	3	CHIP CAPACITOR
C42-C44	2002486	0.1UF DC25V +80% -20%	3	CHIP CAPACITOR
C45-C51	2024236	TP,3300PF,630V,+10%,	7	CHIP CAPACITOR
C52	2002500	TP,4700PF,50V,+1	1	CHIP CAPACITOR
C53-C202	2024100	TP,180PF,50V,+5%,	2	CHIP CAPACITOR
C54-C201	2002495	TP,100PF,50V,+5%,	2	CHIP CAPACITOR
C55-C57	2002486	0.1UF DC25V +80% -20%	3	CHIP CAPACITOR
C59	2021595	TP,100UF,10V,+20%,	1	AL'UM. EL'YTIC CAP.
C60-C65	2002486	0.1UF DC25V +80% -20%	6	CHIP CAPACITOR
C67-C72	2002486	0.1UF DC25V +80% -20%	6	CHIP CAPACITOR
C75-C77	2002486	0.1UF DC25V +80% -20%	3	CHIP CAPACITOR
C9	X271121021	1000PF DC50V 10%	1	CHIP CERAMIC CAPACITOR
D1-D2-D5	2024121		3	DIODE
D13-D14	2024121		2	DIODE
D15-D16	2014230	80V,100MA,0MW,	2	DIODE
D17-D18	2024121		2	DIODE
D19-D20	2014230	80V,100MA,0MW,	2	DIODE
D21-D22	2024121		2	DIODE
D23-D24	2014230	80V,100MA,0MW,	2	DIODE
D25-D26	2024121		2	DIODE
D27-D28	2014230	80V,100MA,0MW,	2	DIODE
D29-D30	2024121		2	DIODE
D3-D4-D7	2014230	80V,100MA,0MW,	3	DIODE
D31-D32	2014230	80V,100MA,0MW,	2	DIODE
D33-D34	2024121		2	DIODE
D35-D38	2014230	80V,100MA,0MW,	4	DIODE
D6-D9-D10	2024121		3	DIODE
D8-D11-D12	2014230	80V,100MA,0MW,	3	DIODE
F1	2024249	125V,800MA,	1	FUSE
IC1	X462701438		1	C-MOS IC FOR SUB B/D
IC1	2027659		1	GATE ARRAY
IC10	X422350069		1	TTL-IC SN74LS06NS-TPL
IC11	2024473		1	EEPROM
IC13	2011730		1	RESET IC
IC14	2020806	4 PIN	1	DRAM, HM514170CJ-7
IC15	2012489	8	1	COMPARATOR
IC16	X422350059	4,QUAD 2-INAN	1	TTL-IC
IC17	X422350060		1	TTL-IC
IC2	2023322	100,	1	MICRO CONTROLLER, TMP95C061BF
IC5	X630114030	40 PIN	1	IC SOCKET
IC6-IC8	X422350079	HEX BUF/DRV OC HI-VOCT	3	TTL-IC
IC9	2012966		1	RS-232IC
JP3	X601000320	3PIN	1	CONNECTOR
JP3	X601002000	2 PIN	1	CONNECTOR
QF1-QF3	2026691	0V,0A,0W,	2	FET
QF10-QF12	2026692	0V,0A,0W,	2	FET
QF13-QF15	2026691	0V,0A,0W,	2	FET
QF14-QF16	2026692	0V,0A,0W,	2	FET
QF17	2026691	0V,0A,0W,	1	FET

EPSON DFX8500

Page 4

REF	PART NO.	REMARKS	QTY	DESCRIPTION
QF18	2026692	0V,0A,0W,	1	FET
QF2-QF4	2026692	0V,0A,0W,	2	FET
QF5-QF7	2026691	0V,0A,0W,	2	FET
QF6-QF8	2026692	0V,0A,0W,	2	FET
QF9-QF11	2026691	0V,0A,0W,	2	FET
Q1-Q9	X306271209	50V 150MA 150MW	9	TRANSISTOR
Q10-Q11	X303139500	NPN 50V 5A 40W	2	TRANSISTOR
Q14	2024230	50V,700MA,1W,0,0,	1	TRANSISTOR
Q15-Q19	2023191		5	TRANSISTOR ARRAY
RM1-RM4	2021624	TP,100OHM,1/16W,+5%,	4	CHIP RESISTOR ARRAY
RM11-RM12	2021622	TP,68OHM,1/16W,+5%,	2	CHIP RESISTOR ARRAY
RM5-RM10	2021620	TP,33OHM,1/16W,+5%,	6	CHIP RESISTOR ARRAY
R1-R4-R7	2001524	470 OHM 1/10W 5%	3	THICK FILM CHIP RESISTOR
R10-R13	2001524	470 OHM 1/10W 5%	2	THICK FILM CHIP RESISTOR
R100	X193612232	22K OHM 1/10W 5%	1	CHIP RESISTOR
R101-R186	2001531	3.3 OHM 1/10W 5%	2	CHIP RESISTOR
R102-R118	2001529	2.2K OHM 1/10W 5%	17	CHIP RESISTOR
R11-R14	X193413322	3.3KOHM 1/4W 5%	2	CHIP RESISTOR
R12-R15	2001529	2.2K OHM 1/10W 5%	2	CHIP RESISTOR
R120-R241	2001524	470 OHM 1/10W 5%	2	THICK FILM CHIP RESISTOR
R121-R122	X193011022	1K OHM 1/10W 5%	2	CHIP RESISTOR ERJ-6GEYJ102V
R124-R137	X193011032	10K OHM 1/10W 5%	2	CHIP RESISTOR ERJ-6GEYJ103V
R127-R129	X193011022	1K OHM 1/10W 5%	3	CHIP RESISTOR ERJ-6GEYJ102V
R130-R132	2011647	TP,390OHM,1/10W,+5%,	3	CHIP RESISTOR
R133-R134	2001532	5.6K OHM 1/10W 5%	2	CHIP RESISTOR
R135	2005772	510OHM 1/10W 5%	1	CHIP RESISTOR
R136-R139	X193011022	1K OHM 1/10W 5%	2	CHIP RESISTOR ERJ-6GEYJ102V
R148-R150	X193011022	1K OHM 1/10W 5%	3	CHIP RESISTOR ERJ-6GEYJ102V
R151-R153	2001519	68 OHM 1/10W 5%	3	CHIP RESISTOR
R156-R157	2001519	68 OHM 1/10W 5%	2	CHIP RESISTOR
R159-R185	X193011022	1K OHM 1/10W 5%	3	CHIP RESISTOR ERJ-6GEYJ102V
R16-R19	2001524	470 OHM 1/10W 5%	3	THICK FILM CHIP RESISTOR
R161-R171	X193011032	10K OHM 1/10W 5%	11	CHIP RESISTOR ERJ-6GEYJ103V
R17-R20	X193413322	3.3KOHM 1/4W 5%	2	CHIP RESISTOR
R172-R183	2001531	3.3 OHM 1/10W 5%	12	CHIP RESISTOR
R18-R21	2001529	2.2K OHM 1/10W 5%	2	CHIP RESISTOR
R184	2006215	180 OHM 1/10W 5%	1	CHIP RESISTOR
R187-R191	2008818	TP,1.8KOHM,1/10W,+5%,	5	CHIP RESISTOR
R192	2005302	3.9K OHM	1	CHIP RESISTOR
R193-R199	X193011032	10K OHM 1/10W 5%	7	CHIP RESISTOR ERJ-6GEYJ103V
R2	2026243	TP,200OHM,1/10W,+5%,	1	CHIP RESISTOR FOR SUB B/D
R2-R5-R8	X193413322	3.3KOHM 1/4W 5%	3	CHIP RESISTOR
R200-R201	X193011022	1K OHM 1/10W 5%	2	CHIP RESISTOR ERJ-6GEYJ102V
R202-R203	X193011032	10K OHM 1/10W 5%	2	CHIP RESISTOR ERJ-6GEYJ103V
R205-R207	2011647	TP,390OHM,1/10W,+5%,	3	CHIP RESISTOR
R210-R214	2001531	3.3 OHM 1/10W 5%	5	CHIP RESISTOR
R215-R218	X193011022	1K OHM 1/10W 5%	2	CHIP RESISTOR ERJ-6GEYJ102V
R216	X193012022	2K OHM 1/10W 5%	1	CHIP RESISTOR
R219-R228	2001519	68 OHM 1/10W 5%	2	CHIP RESISTOR
R22-R25	2001524	470 OHM 1/10W 5%	2	THICK FILM CHIP RESISTOR
R220	2001521	200 OHM 1/10W 5%	1	CHIP RESISTOR
R221-R226	2005462	33K OHM 1/10W 5% TP	6	CHIP RESISTOR
R227-R231	X193011032	10K OHM 1/10W 5%	2	CHIP RESISTOR ERJ-6GEYJ103V
R229	2001541	1M OHM 1/10W 5%	1	CHIP RESISTOR
R23-R26	X193413322	3.3KOHM 1/4W 5%	2	CHIP RESISTOR

ESP0539/4

REF	PART NO.	REMARKS	QTY	DESCRIPTION
R232-R236	2005059	3K OHM 1/10W 5% TP	2	CHIP RESISTOR
R233-R235	X193011022	1K OHM 1/10W 5%	2	CHIP RESISTOR ERJ-6GEYJ102V
R234	X193011032	10K OHM 1/10W 5%	1	CHIP RESISTOR ERJ-6GEYJ103V
R24-R27	2001529	2.2K OHM 1/10W 5%	2	CHIP RESISTOR
R243	X193011042	100K OHM 1/10W 5%	1	CHIP RESISTOR
R244	2001519	68 OHM 1/10W 5%	1	CHIP RESISTOR
R247	X193211012	100 OHM 1/2W 5%	1	CHIP RESISTOR
R248-R301	2001531	3.3 OHM 1/10W 5%	2	CHIP RESISTOR
R28-R30	2004273	TP,150OHM,1/10W,+5%,	2	CHIP RESISTOR
R29-R31	2001529	2.2K OHM 1/10W 5%	2	CHIP RESISTOR
R3-R6-R9	2001529	2.2K OHM 1/10W 5%	3	CHIP RESISTOR
R300-R302	X193011022	1K OHM 1/10W 5%	2	CHIP RESISTOR ERJ-6GEYJ102V
R303-R305	2001531	3.3 OHM 1/10W 5%	2	CHIP RESISTOR
R304	X193011022	1K OHM 1/10W 5%	1	CHIP RESISTOR ERJ-6GEYJ102V
R32-R34	2004273	TP,150OHM,1/10W,+5%,	2	CHIP RESISTOR
R33-R35	2001529	2.2K OHM 1/10W 5%	2	CHIP RESISTOR
R36-R38	2004273	TP,150OHM,1/10W,+5%,	2	CHIP RESISTOR
R37-R39	2001529	2.2K OHM 1/10W 5%	2	CHIP RESISTOR
R40-R42	2004273	TP,150OHM,1/10W,+5%,	2	CHIP RESISTOR
R41-R43	2001529	2.2K OHM 1/10W 5%	2	CHIP RESISTOR
R44-R245	2004273	TP,150OHM,1/10W,+5%,	2	CHIP RESISTOR
R45-R217	2001529	2.2K OHM 1/10W 5%	2	CHIP RESISTOR
R46-R47	2007981	3.32K OHM 1/10W 1%	2	CHIP RESISTOR
R71-R73	2005213	33 OHM 1/10W 5%	3	CHIP RESISTOR
R74-R77	2001519	68 OHM 1/10W 5%	1	CHIP RESISTOR
R93-R94	X193011022	1K OHM 1/10W 5%	2	CHIP RESISTOR ERJ-6GEYJ102V
R95-R123	X193011032	10K OHM 1/10W 5%	2	CHIP RESISTOR ERJ-6GEYJ103V
R96-R97	X193012022	2K OHM 1/10W 5%	2	CHIP RESISTOR
R98	2001528	1.5K OHM 1/10W 5%	1	CHIP RESISTOR
R99	2005306	910 OHM	1	CHIP RESISTOR
ZD1	2020473		1	ZENER DIODE
ZD3-ZD4	2024246	5.1V,200MA,0W	2	ZENER DIODE
300	2023801		1	BOARD ASSY., POWER SUPPLY 220/240V
301	2025875		1	FAN ASSEMBLY
302	1033173		1	INSULATING PLATE
303	B300304411	M3X10	4	C.C.S. SCREW
304	B300204211	M3X6	6	C.B.S. SCREW
305	1033178		1	HEAT SINK
306	1033179		1	INSULATION PLATE
307	1033177		1	PLATE
308	B0403037	M3X16	1	CUP SCREW
B101-B104	X510160200		4	FERRITE BEAD
B201-B202	X510160200		2	FERRITE BEAD
CN1	X600310600	3 PIN	1	CONNECTOR
CN2	X600310600	6 PIN	1	CONNECTOR
CN3	X600311200	12 PIN	1	CONNECTOR
CN4	X600310800	8 PIN	1	CONNECTOR
CN5	X601110200	2 PIN	1	CONNECTOR
C1-C5	2000950	IUF 250V 20%	2	PLASTIC FILM CAPACITOR
C10-C11	2023068	BL,2200PF,250V,+20%,	2	CERAMIC CAPACITOR
C101	2024363	TP,0.01UF,630V,+5%,	1	FILM CAPACITOR
C102	2001082	470PF 1KV	1	CERAMIC CAPACITOR
C104	2011830	TP,100UF,25V,+20%,	1	AL'UM. EL'YTIC. CAP.
C105-C124	X224221042	0.1UF 50V +80% -20%	2	CERAMIC CAPACITOR
C106-C110	2014455	TP,0.022UF,50V,+5%,	2	FILM CAPACITOR

EPSON DFX8500

Page 6

REF	PART NO.	REMARKS	QTY	DESCRIPTION
C107-C109	2012033	TP,0.1UF,50V,+5%,	2	FILM CAPACITOR
C108	2024362	TP,330PF,100V,+5%,	1	FILM CAPACITOR
C111-C210	2024368	TP,4.7UF,35V,+20%,	2	ALUM. EL'YTIC. CAP.
C12	2024553	TP,330UF,25V,+20%,	1	ALUM. EL'YTIC. CAP.
C120	2024551	BL,1000PF,500V,+10%,	1	CERAMIC CAPACITOR
C121	2024550	BL,680PF,500V,+10%,	1	CERAMIC CAPACITOR
C122-C204	2012033	TP,0.1UF,50V,+5%,	2	FILM CAPACITOR
C123-C220	2011831	BL,3300UF,50V,+20%,	2	ALUM. EL'YTIC. CAP.
C125-C226	X224221042	0.1UF 50V +80% -20%	2	CERAMIC CAPACITOR
C127	2023070	TP,220UF,6.3V,+20%,	1	ELECTROLYTIC CAPACITOR
C129-C131	X224161042	0.1UF 25V +80 -20%	3	CERAMIC CAPACITOR
C13	X224221036	0.01UF 50V +80,-20%	1	CERAMIC CAPACITOR
C132-C203	2011134	TP,4700PF,50V,+5%,	2	FILM CAPACITOR
C133-C134	X224161042	0.1UF 25V +80 -20%	2	CERAMIC CAPACITOR
C14-C126	X224161042	0.1UF 25V +80 -20%	2	CERAMIC CAPACITOR
C2	2001137	0.47UF 250V 20%	1	FILM CAPACITOR
C201-C202	2011480	BL,4700PF,1000V,+5%,	2	FILM RESISTOR
C205	2011482	TP,220UF,25V,+20%,	1	ALUM. EL'YTIC. CAP.
C211	2024256	TP,1000UF,6.3V,+20%,	1	ELECTROLYTIC CAPACITOR
C212	2012033	TP,0.1UF,50V,+5%,	1	FILM CAPACITOR
C221-C225	2011831	BL,3300UF,50V,+20%,	2	ALUM. EL'YTIC. CAP.
C224-C231	X224222232	0.022UF DC50V +80% -20%	2	CERAMIC CAPACITOR
C227-C234	X224161042	0.1UF 25V +80 -20%	2	CERAMIC CAPACITOR
C230	2024554	TP,220UF,50V,+20%,	1	ALUM. EL'YTIC. CAP.
C232	2024369	TP,1UF,50V,+20%,	1	ALUM. EL'YTIC. CAP.
C233	2024552	TP,2200UF,10V,+20%,	1	ALUM. EL'YTIC. CAP.
C3-C4	2024549	BL,3300PF,250V,+20%,	2	CERAMIC CAPACITOR
C8-C9	2024365	BL,390UF,400V,+20%,	2	ELECTROLYTIC CAPACITOR
DB1	2011728		1	DIODE BRIDGE
D1	X320011449	40V 0.6A 0.2W	3	DIODE
D101-D102	2024344		3	DIODE
D103-D211	2011440		3	DIODE
D104-D201	X320011229	500V 0.8A	2	DIODE
D110	X510180360		1	INSULATION SPACER
D110	2024339	400V,20A,0W,	1	DIODE
D111-D114	X320011201	SI 60V 150MA	4	DIODE
D202-D212	X320011201	SI 60V 150MA	2	DIODE
D203-D205	X320011449	40V 0.6A 0.2W	3	DIODE
D210	1019118		1	HEAT SINK
D210	2011459	100V 11A	1	DIODE
D210-D213	B300204311	M3X8	2	C.B.S. SCREW
D213	1034113		1	HEAT SINK
D213	2024297		1	DIODE
F1	X502100100		1	FUSE HOLDER
F1	2011703	250V,6.3A,	1	FUSE
IC101	2024543		1	IC
IC102	X440072940	BIPOLAR DUAL OP AMP	1	IC
IC201	X440074319	ADJ.PRECISION SHUNT REG	1	VOLTAGE REGULATOR
IC202	2024544		1	VOLTAGE REGULATOR
IC203	X440072920		1	BIPOLAR DUAL COMPARATOR
IC204	2024331		1	IC
IC205	X440019550	2-17V 0.3MA SIL 5PIN	1	IC
J1-J11	1001292		11	JUMPER WIRE
J20-J48	1001292		29	JUMPER WIRE
L1	2000949	1.5MH 5A	1	CHOKECOIL

ESP0539/6

REF	PART NO.	REMARKS	QTY	DESCRIPTION
L101	2001849	500MH 5A	1	COIL
L2	2000948	10MH 5A	1	CHOKE COIL
L201	Y565201004	200UH 2.5A	1	CHOKE COIL
L3	2025435	0MH,0A,	1	COIL
PC1	2023382	0V,60MA,0MW,	1	PHOTO COUPLER
PC101	2024336	55V,1MA,0W,	1	PHOTO COUPLER
PC102	2024336	55V,1MA,0W,	1	PHOTO COUPLER
PC201	2024336	55V,1MA,0W,	1	PHOTO COUPLER
QF101	X510180360		1	INSULATION SPACER
QF101	1031536		1	BAND
QF101	1034114		1	HEAT SINK
QF101	2025431	0V,0A,0W,	1	FET
QF102	2020004	50V,100MA,0W,	1	FET
QF201	X510180360		1	INSULATION SPACER
QF201	2011458	900V,7A,150W,	1	FET
QF201-D110	B300204311	M3X8	2	C.B.S. SCREW
QF201-D110	1019118		2	HEAT SINK
Q101	2024332	50V,2A,0W,0,0,	1	TRANSISTOR
Q102-Q104	2019937	50V,50MA,300MW	3	NPN TRANSISTOR
Q110-202	X300101589	PNP 50V 150MA 400MW	2	TRANSISTOR
Q111-Q113	2019938	50V,50MA,300MW	2	NPN TRANSISTOR
Q112-Q210	2019937	50V,50MA,300MW	2	NPN TRANSISTOR
Q201	2000623	50V 2A 900MW	1	TRANSISTOR
Q211	X300101589	PNP 50V 150MA 400MW	1	TRANSISTOR
Q212	2024136	50V,5A,0W,0,0,	1	TRANSISTOR
Q213	X302181589	NPN 50V 150MA 400MW	1	TRANSISTOR
R1	X130221046	100K OHM 2W 5%	1	METAL OXIDE FILM RESISTOR
R10-R144	X155412032	20K OHM 1/4W 5%	2	CARBON FILM RESISTOR
R101	2024353	BL,47KOHM,5W,+5%,	1	CEMENT RESISTOR
R102	2024352	BL,200OHM,5W,+5%,	1	CEMENT RESISTOR
R103	2026778	BL,40MOHM,3W,+5%,	1	CEMENT RESISTOR
R104-R118	2024546	BL,47KOHM,2W,+5%,	2	METAL FILM RESISTOR
R105-R134	X155411012	100 OHM 1/4W 5%	2	CARBON FILM RESISTOR
R108	X155414702	47 OHM 1/4W 5%	1	CARBON FILM RESISTOR
R109-R110	X155411032	10K OHM 1/4W 5%	2	CARBON FILM RESISTOR
R11-R106	X155411032	10K OHM 1/4W 5%	2	CARBON FILM RESISTOR
R114	X155412442	240KOHM,1/4W,+5%	1	CARBON FILM RESISTOR
R115-R227	X155418212	820 OHM 1/4W 5%	2	CARBON FILM RESISTOR
R116	2024346	TP,10KOHM,1/4W,+1%,	1	HIGH STAB.M/F RES.
R117	X155410202	10 OHM 1/4W 5%	1	CARBON FILM RESISTOR
R120	X160320150	150 OHM 5W +5%	1	CEMENT RESISTOR
R121	2026779	BL,22OHM,5W,+5%,	1	CEMENT RESISTOR
R122	2024354	BL,560OHM,5W,+5%,	1	CEMENT RESISTOR
R123-R124	2024350	BL,0.04OHM,3W,+5%,	2	CEMENT RESISTOR
R125	X155417522	7.5K OHM 1/4W 5%	1	CARBON FILM RESISTOR
R126-R130	X155411022	1K OHM 1/4W 5%	2	CARBON FILM RESISTOR
R127-R224	2001123	1.18K OHM 1/4W 1%	2	METAL FILM RESISTOR
R128	X143195621	5.62K OHM 1/4W 1%	1	HIGH STAB.M/F RES.
R129	X155412232	22K OHM 1/4W 5%	1	CARBON FILM RESISTOR
R131-R133	X155411032	10K OHM 1/4W 5%	2	CARBON FILM RESISTOR
R132-R243	X155412022	2K OHM 1/4W 5%	2	CARBON FILM RESISTOR
R135-R225	X155411012	100 OHM 1/4W 5%	2	CARBON FILM RESISTOR
R136-R151	X155411032	10K OHM 1/4W 5%	2	CARBON FILM RESISTOR
R137	X155414712	470 OHM 1/4W 5%	1	CARBON FILM RESISTOR
R138-R139	X155412042	200K OHM 1/4W 5%	2	CARBON FILM RESISTOR

EPSON

DFX8500

Page 8

REF	PART NO.	REMARKS	QTY	DESCRIPTION
R140-R141	X155411022	1K OHM 1/4W 5%	2	CARBON FILM RESISTOR
R142	2024345	TP,187KOHM,1/4W,+,-1%,	1	HIGH STAB.M/F RES.
R143	X143191001	1.0K OHM 1/4W 1%	1	HIGH STAB.M/F RES.
R145	X155411042	100K OHM 1/4W 5%	1	CARBON FILM RESISTOR
R152-R153	X155415142	510K OHM 1/4W 5%	2	CARBON FILM RESISTOR
R154-R237	X155411032	10K OHM 1/4W 5%	2	CARBON FILM RESISTOR
R2-R4	2024357	BL,4.7OHM,5W,+,-5%,	2	CEMENT RESISTOR
R201	2024348	BL,0.22OHM,3W,+,-5%,	1	METAL FILM RESISTOR
R202-R203	2024545	BL,68KOHM,1W,+,-5%,	2	METAL FILM RESISTOR
R205	2012560	TP,1.2MOHM,1/2W,+,-5%,	1	CARBON FILM RESISTOR
R206	2012559	TP,1.1MOHM,1/2W,+,-5%,	1	CARBON FILM RESISTOR
R207-R215	X155414722	4.7K OHM	2	CARBON FILM RESISTOR
R208	X155412422	2.4K OHM 1/4W 5%	1	CARBON FILM RESISTOR
R209	2024349	BL,0.39OHM,3W,+,-5%,	1	METAL FILM RESISTOR
R210-R220	X155412032	20K OHM 1/4W 5%	2	CARBON FILM RESISTOR
R211	2011472	BL,300OHM,1W,+,-5%,	1	METAL OXIDE FILM RESISTOR
R212	X155411212	120 OHM 1/4W 5%	1	CARBON FILM RESISTOR
R213-R214	X155412712	270 OHM 1/4W 5%	2	CARBON FILM RESISTOR
R216-R221	X154410102	1 OHM 1/4W 5%	2	CARBON FILM RESISTOR
R222	X155415122	5.1K OHM 1/4W 5%	1	CARBON FILM RESISTOR
R226	2024210	BL,0.1OHM,5W,+,-5%,	1	CEMENT RESISTOR
R231	X155411512	150 OHM 1/4W 5%	1	CARBON FILM RESISTOR
R232	X155412712	270 OHM 1/4W 5%	1	CARBON FILM RESISTOR
R234	X155413622	3.6K OHM 1/4W 5%	1	CARBON FILM RESISTOR
R235	X155416812	680 OHM 1/4W 5%	1	CARBON FILM RESISTOR
R236	X155411012	100 OHM 1/4W 5%	1	CARBON FILM RESISTOR
R238	X155412042	200K OHM 1/4W 5%	1	CARBON FILM RESISTOR
R241	X143193301	3.30K OHM 1/4W 1%	1	HIGH STAB.M/F RES.
R242	X155411032	10K OHM 1/4W 5%	1	CARBON FILM RESISTOR
R244	X155412022	2K OHM 1/4W 5%	1	CARBON FILM RESISTOR
R250	2024358	BL,0.1OHM,3W,+,-5%,	1	CEMENT RESISTOR
R3	2011475	BL,4.7OHM,+,-5%,	1	CEMENT RESISTOR
R5	2013181	BL,47OHM,2W,+,-5%,	1	METAL OXIDE FILM RESISTOR
R6-R7	2011819	BL,100KOHM,1W,+,-5%,	2	METAL FILM RESISTOR
R8-R9	2010167	120K OHM 1/2W 5%	2	CARBON FILM RESISTOR
TYI-DB1	B300204311	M3X8	2	C.B.S. SCREW
TY1	2024337	400V,12A,0W,	1	TRIAC
TY1-DB1	1034112		2	HEAT SINK
T1	2024374		1	TRANSFORMER
T2	2011488		1	TRANSFORMER
VR101	2021962	BL,200OHM 1/2W +,-5%,	1	VARIABLE RESISTOR
ZD101	2024341		1	ZENER DIODE
ZD102	2024340		1	ZENER DIODE
ZD103	2024342		1	ZENER DIODE
ZD104	2003117	150MA 400MW 5.1V 5.3V	1	ZENER DIODE
ZD110	2017138		1	ZENER DIODE
ZD111	2024343		1	ZENER DIODE
ZD201	2013993	TP 1MA 400MW 114V 126V	1	ZENER DIODE
ZD205	2011464	150MA 400W 6.9V 7.2V	1	ZENER DIODE
ZD206-210	2022397		5	ZENER DIODE
ZD211	2024343		1	ZENER DIODE
ZD213	2022397		1	ZENER DIODE
350	2023803		1	BOARD ASSY., DRIVER
CN1	2024019		1	HARNESS
CN2	2024020		1	HARNESS

ESP0539/8

REF	PART NO.	REMARKS	QTY	DESCRIPTION
CN3	X600310600	6 PIN	1	CONNECTOR
C1-C10-C19	2002486	0.1UF DC25V +80% -20%	3	CHIP CAPACITOR
C12	2018740	BL,2200UF,50V,+20%,	1	AL'UM. EL'YTIC. CAP.
C13-C16	2024141	TP,4700PF,500V,+10%,	4	CERAMIC CAPACITOR
C17	2002497	TP,220PF,50V,+5%,	1	CHIP CAPACITOR
C18	2002487	0.01UF 50V 10%	1	CHIP CAPACITOR
C2-C9-C11	X200551009	10UF 50V 20% 105BC	3	AL'UM. EL'YTIC. CAP.
C21-C24	2024124	TP,3300PF,500V,+10%,	4	CERAMIC CAPACITOR
C25-C28	2002486	0.1UF DC25V +80% -20%	4	CHIP CAPACITOR
C29	2003619		1	CHIP CAPACITOR
C3	2025566	TP,1UF,50V,+20%,	1	AL'UM. EL'YTIC. CAP.
C5-C6	2024141	TP,4700PF,500V,+10%,	2	CERAMIC CAPACITOR
C7	X271121021	1000PF DC50V 10%	1	CHIP CERAMIC CAPACITOR
C8	X281321511	150PF 50V 5%	1	CHIP CAPACITOR
D1-D2-D15	X320011233	DC100V 1.0A	3	DIODE
D10-D16	2021266	TP,60V,0.71A	2	DIODE
D3-D17	2014230	80V,100MA,0MW,	2	DIODE
D4-D5	2024297		2	DIODE
F1	2025562	125V,400MA,	1	FUSE
F2	2025689	125V,500MA,	1	FUSE
F3	2011652	125V,2.5A,	1	FUSE
IC1	2024134		1	HYBRID IC
IC2	2024133		1	HYBRID IC
IC3	X440063931		1	BIPOLAR DUAL COMPARATOR
Q10-Q20	2023191		2	TRANSISTOR ARRAY
Q11-Q21	X301079400	PNP 60V 1.5A 10W	2	TRANSISTOR
Q12-Q15	X303184309	NPN 60V 1A 10W	4	TRANSISTOR
Q22-Q25	X303184309	NPN 60V 1A 10W	4	TRANSISTOR
Q30-Q34	2023191		2	TRANSISTOR ARRAY
Q31	2024135	-100V,-5A,0W,0.0,	1	TRANSISTOR
Q32	2011622	-50V,-700MA,0W,0.0,	1	TRANSISTOR
Q33	2024136	50V,5A,0W,0.0,	1	TRANSISTOR
Q5-Q7	2024137	50V,50MA,200MW,0.0,	3	TRANSISTOR
Q9-Q35	2024137	50V,50MA,200MW,0.0,	2	TRANSISTOR
R1-R4-R30	2005469	30K OHM	5	CHIP RESISTOR
R10	2005481	TP,887OHM,1/10W,+1%,	1	CHIP RESISTOR
R11-R16	X193011022	1K OHM 1/10W 5%	2	CHIP RESISTOR ERJ-6GEYJ102V
R12	2025422	BL,100OHM,5W,+1%,	1	CEMENT RESISTOR
R13-R14	2024139	BL,100OHM,2W,+5%,	2	METAL OXIDE FILM RESISTOR
R15	2005302	10K OHM	1	CHIP RESISTOR
R17	2006342	2K OHM 1/10W 1% TP	1	CHIP RESISTOR
R20	2025424	TP,36.5KOHM,1/10W,+1%,	1	CHIP RESISTOR
R21	2011790	TP,750OHM,1/10W,+1%,	1	CHIP RESISTOR
R22	2025425	TP,5.36KOHM,1/10W,+1%,	1	CHIP RESISTOR
R23	2016935	TP,100OHM,1/4W,+5%,	1	CHIP RESISTOR
R24-R27	2024139	BL,150OHM,2W,+5%,	4	METAL OXIDE FILM RESISTOR
R31-R34	X193011032	10K OHM 1/10W 5%	4	CHIP RESISTOR ERJ-6GEYJ103V
R35-R38	X193011022	1K OHM 1/10W 5%	4	CHIP RESISTOR ERJ-6GEYJ102V
R40-R55-58	2005469	30K OHM	5	CHIP RESISTOR
R41-R44	X193011032	10K OHM 1/10W 5%	4	CHIP RESISTOR ERJ-6GEYJ103V
R45-R48	X193011022	1K OHM 1/10W 5%	4	CHIP RESISTOR ERJ-6GEYJ102V
R5	2025427	TP,200KOHM,1/10W,+1%,	1	CHIP RESISTOR
R50	2001535	15K OHM 1/10W 5%	1	CHIP RESISTOR
R51	2013099	TP,4.7KOHM,1/2W,+5%,	1	CHIP RESISTOR
R52	X193012022	2K OHM 1/10W 5%	1	CHIP RESISTOR

EPSON DFX8500

Page 10

REF	PART NO.	REMARKS	QTY	DESCRIPTION
R53	2001521	200 OHM 1/10W 5%	1	CHIP RESISTOR
R54	X193011032	10K OHM 1/10W 5%	1	CHIP RESISTOR ERJ-6GEYJ103V
R59	2025685	BL,1KOHM,5W,+5%,	1	CEMENT RESISTOR
R6	2025688	TP,66.5KOHM,1/10W,+1%,	1	CHIP RESISTOR
R61-R63	2001529	2.2K OHM 1/10W 5%	2	CHIP RESISTOR
R62-R64	X193011022	1K OHM 1/10W 5%	2	CHIP RESISTOR ERJ-6GEYJ102V
R7	2025687	TP,32.4KOHM,1/10W,+1%,	1	CHIP RESISTOR
R8	X194601502	15K OHM 1/10W 1%	1	CHIP RESISTOR
R9	2025686	TP,28.7KOHM,1/10W,+1%,	1	CHIP RESISTOR
ZD1	2024145		1	DIODE
ZD2	2025563		1	ZENER DIODE
360	2023805		1	BOARD ASSY., DRIVER-B
CN1	2026456	20,	1	CONNECTOR
CN2	X600310800	8 PIN	1	CONNECTOR
CN3	2024123	20,	1	CONNECTOR
C1-C4	2024124	TP,3300PF,500V,+10%,	4	CERAMIC CAPACITOR
C5-C8	2003619		4	CHIP CAPACITOR
D1-D18	2014230	80V,100MA,0MW,	18	DIODE
D19-D36	2024121		18	DIODE
QF1-QF3	2026691	0V,0A,0W,	2	FET
QF10-QF12	2026692	0V,0A,0W,	2	FET
QF13-QF15	2026691	0V,0A,0W,	2	FET
QF14-QF16	2026692	0V,0A,0W,	2	FET
QF17	2026691	0V,0A,0W,	1	FET
QF2-QF4	2026692	0V,0A,0W,	2	FET
QF5-QF7	2026691	0V,0A,0W,	2	FET
QF6-QF8	2026692	0V,0A,0W,	2	FET
QF9-QF11	2026691	0V,0A,0W,	2	FET
Q1-Q9	X306271209	50V 150MA 150MW	9	TRANSISTOR
R1-R5-R6	2001529	2.2K OHM 1/10W 5%	3	CHIP RESISTOR
R10-R11	2001529	2.2K OHM 1/10W 5%	2	CHIP RESISTOR
R15-R16	2001529	2.2K OHM 1/10W 5%	2	CHIP RESISTOR
R18-R23	2001524	470 OHM 1/10W 5%	2	THICK FILM CHIP RESISTOR
R19-R24	2004273	TP,150OHM,1/10W,+5%,	2	CHIP RESISTOR
R2-R7-R12	X193413322	3.3KOHM 1/4W 5%	3	CHIP RESISTOR
R20-R21	2001529	2.2K OHM 1/10W 5%	2	CHIP RESISTOR
R22-R27	X193413322	3.3KOHM 1/4W 5%	2	CHIP RESISTOR
R25-R26	2001529	2.2K OHM 1/10W 5%	2	CHIP RESISTOR
R28-R33	2001524	470 OHM 1/10W 5%	2	THICK FILM CHIP RESISTOR
R29-R34	2004273	TP,150OHM,1/10W,+5%,	2	CHIP RESISTOR
R3-R8-R13	2001524	470 OHM 1/10W 5%	3	THICK FILM CHIP RESISTOR
R30-R31	2001529	2.2K OHM 1/10W 5%	2	CHIP RESISTOR
R32	X193413322	3.3KOHM 1/4W 5%	1	CHIP RESISTOR
R35-R36	2001529	2.2K OHM 1/10W 5%	2	CHIP RESISTOR
R37-R42	X193413322	3.3KOHM 1/4W 5%	2	CHIP RESISTOR
R38-R43	2001524	470 OHM 1/10W 5%	2	THICK FILM CHIP RESISTOR
R39-R44	2004273	TP,150OHM,1/10W,+5%,	2	CHIP RESISTOR
R4-R9-R14	2004273	TP,150OHM,1/10W,+5%,	3	CHIP RESISTOR
R40-R41	2001529	2.2K OHM 1/10W 5%	2	CHIP RESISTOR
R45	2001529	2.2K OHM 1/10W 5%	1	CHIP RESISTOR
401	2006741	240V	1	POWER CABLE, BS31303SA-SR-10A (UK)
411	2024024		1	HARNESS
412	2017299		1	WIRE HARNESS
413	2024017		1	HARNESS
414	2000029		1	WIRE-HARNESS

ESP0539/10

REF	PART NO.	REMARKS	QTY	DESCRIPTION
415	2000606		1	WIRE-HARNESS
416	2023768		1	HARNESS
417	2024021		1	HARNESS
418	2024018		1	HARNESS
419	2017635		1	HARNESS, INTERMIT
450	2024218		1	CONTROL PANEL
500	2027601		1	PRINTER MECHANISM, M-3160
501	1033101		1	FRAME ASSY., LEFT
502	1033108		1	FRAME ASSY., RIGHT
503	2011619		1	SOLENOID ASSY., LD
504	2025899		1	MOTOR ASSY., PG
505	2028809		1	MOTOR ASSY., CR
506	1000450		1	FRAME, LOWER
507	1016899		1	FRAME, FRONT
508	2007992	DC4.34V/1.55A/6.7W	1	MOTOR ASSY., PF
509	1000926		1	PULLEY ASSY., BELT
510	F346102000		1	TENSION PULLEY ASSEMBLY
511	1033198		1	FRAME ASSY., MOTOR RF
512	F346106000		1	TRACTOR SELECT DETECTOR
513	2024065		1	MOTOR ASSY., RF
514	F346108000		1	RIBBON FEED SELECT GEAR
515	F346104010		1	TRACTOR SELECT LEVER UPPER
516	1017062		1	TRACTOR SELECT LEVER LOWER
517	F346104030		1	TRACTOR SELECT LEVER SPRING
518	F346104040		1	TRACTOR SELECT CAM
519	F346104050		1	TRACTOR SELECT TRANSMISSION GEAR
520	F346104060		1	RIBBON FEED TRANSMISSION GEAR
521	F346151000		1	PAPER THICKNESS DETECTOR
522	2011564		1	DETECTOR ASSY., PG/HP
523	1001346		1	DETECTOR ASSY., PULL TRACTOR
524	1000485		1	PAPER GUIDE, UPPER
525	1033105		1	CARRIAGE ASSY.
526	2000788		3	LEAD WIRE
527	F346203000		1	BELT PULLEY HOLDER
528	1040077		1	PLATEN ASSY.
529	2023989		1	BOARD ASSY., INTERMIT, HEAD
530	2023751		1	BOARD ASSY., INTERMIT, CARRIAGE
531	2011561		1	BOARD ASSY., DETECTOR, PTS
532	1038934		1	PAPER ASSY., SUPPORT
533	1038933		1	ROLLER ASSY., LOAD
534	1016011		1	ANTI STATIC BRUSH
535	2000811		1	DETECTOR ASSY., PE, UPPER
536	2023752		1	DETECTOR ASSY., PW
537	2023746		1	HARNESS, CUTTER
538	1039685		1	HOLDER, CR MOTOR
539	1016900		1	MOUNT PLATE, CR MOTOR
540	2011354		1	CABLE, BOARD, INTERMIT, HEAD
541	2010394		1	FAN
543	1016058		2	WIRE, TRACTOR
544	1016040		1	DETECTOR PLATE, PTS
545	1024964		1	WIRE BAND
546	2000156		1	RESISTOR
547	1033544		1	TRACTOR SUB ASSY., LEFT, FRONT
548	1033112		1	TRACTOR, RIGHT, FRONT
549	1016138		4	PAPER SUPPORT

EPSON DFX8500

Page 12

REF	PART NO.	REMARKS	QTY	DESCRIPTION
550	1040479		2	SHAFT, TRACTOR
551	F346259030		2	TRACTOR GUIDE SHAFT
552	1042366		1	FRAME ASSY., PF
553	1033545		1	TRACTOR SUB ASSY., LEFT, REAR
554	1033117		1	TRACTOR, RIGHT, REAR
555	1000500		2	SPACER, PF ROLLER
556	1019991		1	ROLLER, PF, DRIVE
557	1000499	18.4	1	SPUR GEAR
558	1033088		1	SHAFT, CR, GUIDE, REAR
559	1016037		1	SHAFT, CR, GUIDE, FRONT
561	1015452		1	LEVER, SHAFT, LEFT
562	1033090		1	LEVER, SHAFT, RIGHT
563	F346003080		2	GUIDE SHAFT HOLDING SPRING
564	1033089		1	LEVER, GAP, ADJUST
565	F346003100		1	PAPER GAP ADJUST MIDDLE GEAR
566	1042253		1	DUCT, FAN
567	1000452		1	COVER, CONNECTOR
568	1041271		1	DAMPER, LEFT
569	1018356		1	DAMPER, RIGHT
570	1000456		4	DAMPER, LOWER
571	1020360		2	OIL PAD COVER
572	F346003200		2	OIL PAD RING
573	1033096		1	FRAME, CABLE, HEAD
574	1018094		1	COVER, HEAD CABLE
575	1040072		2	SHAFT, FASTEN, HOLDER
576	1040180		1	TIMING BELT, CR
577	1000478		1	HOLDER, BELT FASTEN
579	1000487		1	FRAME, PAPER GUIDE MOUNT
580	1000505		2	EXTENSION SPRING, 1000
581	1038904		1	PAPER GUIDE, LOWER
582	1001797		1	SHEET, HEAD CABLE, PROTECT
584	F346003340		1	PLATEN ROLLER GEAR
585	F346003350		2	PLATEN ROLLER SHAFT HOLDER
586	F346003360		1	PLATEN ROLLER REDUCTION GEAR
587	F346003371		1	PLATEN ROLLER TRANSMISSION GEAR
588	F346003380		1	PLATEN ROLLER MIDDLE GEAR
589	F346003390		1	TENSION ROLLER GEAR
590	F346003400		1	PAPER BAIL GEAR
591	F346003410		2	PAPER BAIL LEVER
592	B040350211	M3X30	2	CUP SCREW
593	1000497		1	TIMING BELT, PF
595	F346003450		1	PAPER FEED REDUCTION GEAR
596	F346003460		4	PAPER FEED MIDDLE GEAR
597	F346003471		1	TRACTOR SELECT GEAR HOLDER
598	F346003490		1	TENSION PULLEY SPRING
599	F346003500		1	RIBBON FEED TRANSMISSION GEAR
600	B100152112	3X0.2X9	2	PLAIN WASHER
601	B100152212	4X0.8X10	3	PLAIN WASHER
602	B040550411	M3X6 F/ZN	10	C.P.S.P.SCREW
603	1001830	M4X10	3	C.P.(C),(S) SCREW
604	B302004211	M3X6	3	C.P.S.(P) SCREW
605	B047100111	M4X6	4	C.P.(PS) SCREW
606	B030150111	M2.6X5 F/ZN	2	C.P.(S) SCREW
607	1017930		2	MINI CLAMP YMC-05-H-0
608	B047100211	M4X8	8	C.P.(PS) SCREW

ESP0539/12

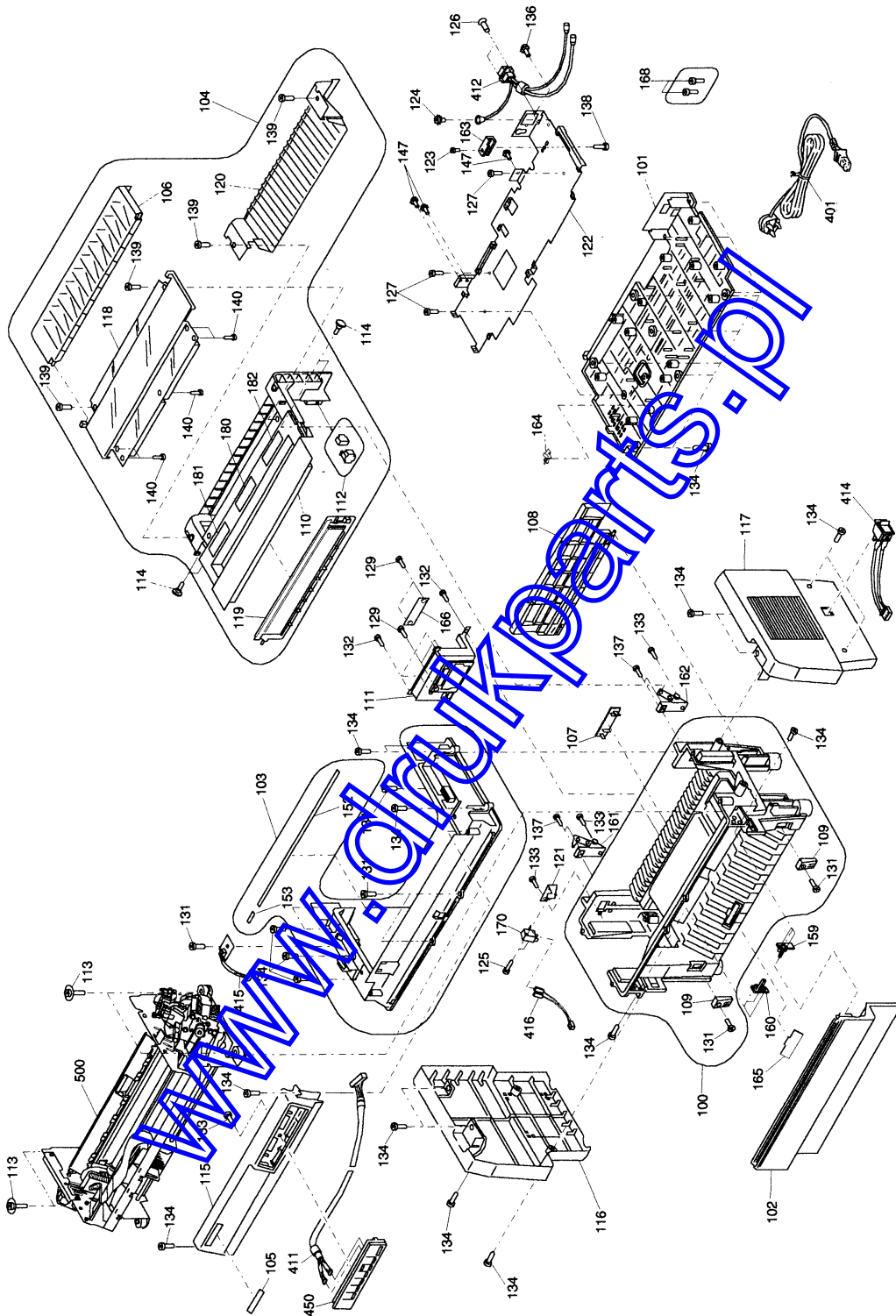
REF	PART NO.	REMARKS	QTY	DESCRIPTION
610	B040551511	M2.5X6	1	C.P.S.P.SCREW
611	B100150412	4X0.2X6	1	PLAIN WASHER
612	B303406211	M4X8	3	C.B.S.(O) SCREW
613	B100167090	4.1X0.2X7.8	2	PLAIN WASHER
614	B150300611	TYPE-E(3)	9	RETAINING RING
615	B101253890	4.1X0.13X8.3	2	LEAF SPRING
616	B081800111	M4	4	H.N.F.
617	I001091		2	FLANGE NUT
618	B302704311	M3X8	2	C.P.S.(P.S) SCREW
619	B150300911	TYPE-E(6)	13	RETAINING RING
620	B300206211	4X8	11	C.B.S SCREW
621	B101253390	8.2X0.15X15	5	LEAF SPRING
622	B100166012	8X0.5X15	4	PLAIN WASHER
623	I001188		2	WIRE HOLDER
624	B070100111	M2	1	HEXAGON NUT
625	F346003511		1	RIBBON FEED DRIVE GEAR
626	F346003520		1	RIBBON FEED GEAR COVER
627	I001189		2	CABLE CLIP
628	I001809		1	LOCATING WIRE SADDLE
629	B046900111	M4X8	2	C.P.S(P.S) SCREW
630	B030101711	M2X10	1	C.P.S SCREW
632	B302404211	M3X6	3	C.P.S(P.S) SCREW
633	I025014		2	C.P.S(P.S) SCREW, 3X10, F/ZN
634	I040327		1	METAL FITTINGS, FASTEN SHAFT
635	B040451511	M4X5	2	C.P.O SCREW
637	B100168012	2.5X0.5X7.5	1	PLAIN WASHER
638	I019992		1	SHEET, DUST PROOF
639	B300204211	M3X6	9	C.B.S. SCREW
640	B300204311	M3X8	2	C.B.S. SCREW
641	B300206111	M4X6	6	C.B.S.SCREW
644	I008186		1	"PLASTI- RIVET"
645	I033091		1	HOLDER, PLATEN, RIGHT
646	I033092		1	HOLDER, PLATEN, LEFT
647	I016039		1	SPUR, GEAR, 40
648	I016041		1	EXTENSION SPRING, 320
649	I016047		2	MOUNT PLATE WIRE, RIGHT
650	I016048		2	MOUNT PLATE, WIRE, LEFT
651	I016049		2	EXTENSION SPRING, 40
652	I016053		2	SPUR GEAR, 32
653	I016585		1	C.P.S SCREW, 2X14, F/ZN
654	I034937		4	HEXAGON NUT A
655	I034938		4	HEXAGON NUT, B
656	I019845		1	LEVER, TENSION RELEASE
657	I033029		8	BUSH, 8
658	I033107		2	BUSH, 12
660	2025874	00HM,	1	RESISTOR
661	I037114	M4X8	1	C.B.S.(O) SCREW
662	I037344		1	MOUNTING PLATE, FAN, CR
663	I039675		1	DOUBLE-SIDED TAPE, 20X10
664	I041270		1	SHAFT, FASTEN, DAMPER, LEFT
665	2023745		1	CABLE, SHIELD
666	2023747		1	BOARD ASSY., INTERMIT, MECHANISM
667	I033099		1	SHEET, PROTECT, CABLE
668	I037347		2	COMPOSITION SCREW, FAN
669	2026599		1	FAN, CR

EPSON DFX8500

Page 14

REF	PART NO.	REMARKS	QTY	DESCRIPTION
671	1033547		1	RIBBON MASK SUB ASSY.
672	1033084		1	SPUR, GEAR, 24
673	1033086		1	MOUNT PLATE, DETECTOR, RJ
674	2023743	0V,0A,0W,	1	DETECTOR ASSY., RJ
675	2025873		1	HARNESS, FAN
676	1040078		1	PAPER GUIDE ASSY., PJ DETECTOR
700	1043489		1	PRINT HEAD KIT
END				

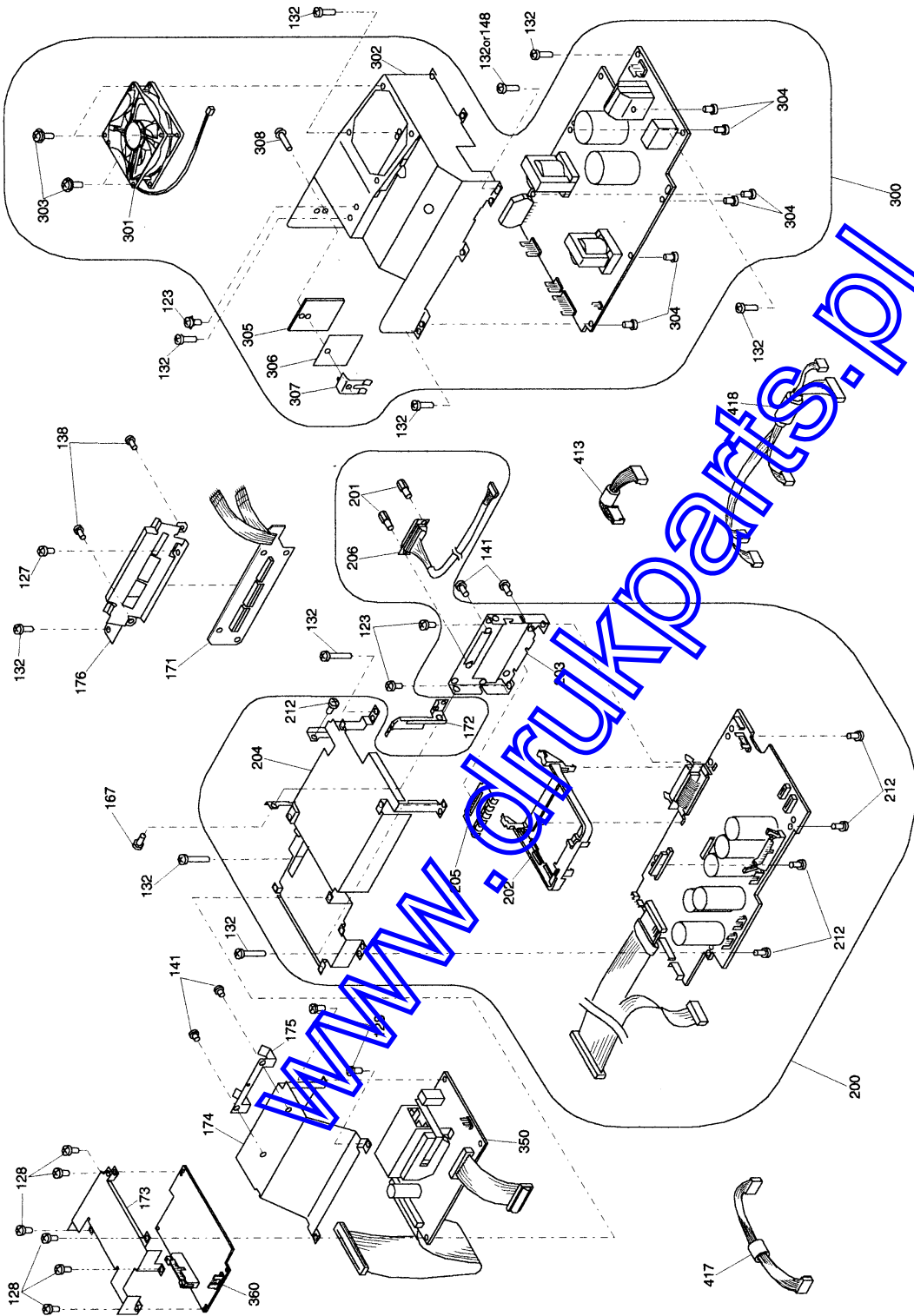
www.drukparts.pl



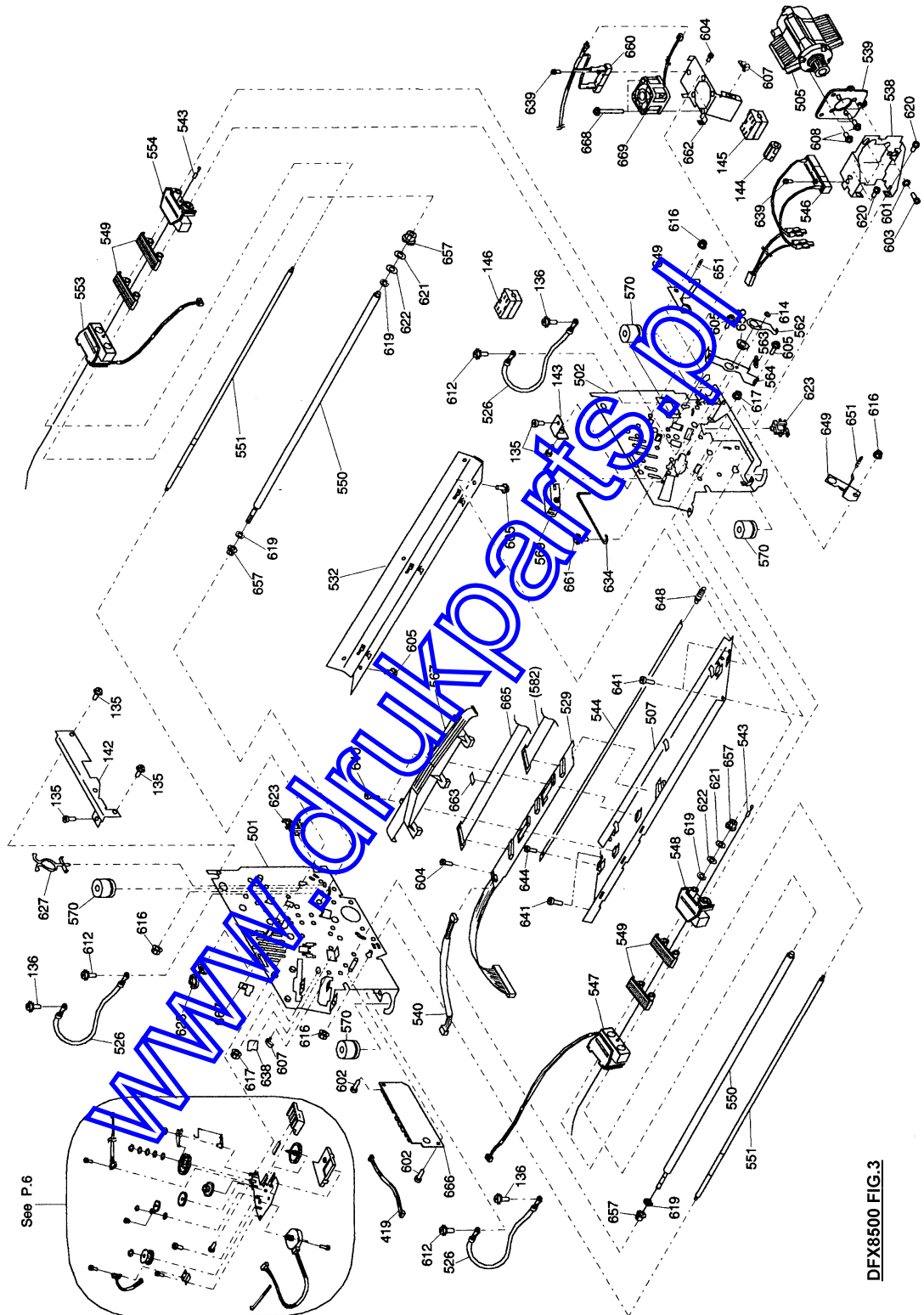
DFX8500 FIG.1

EPSON DFX8500

Page 16



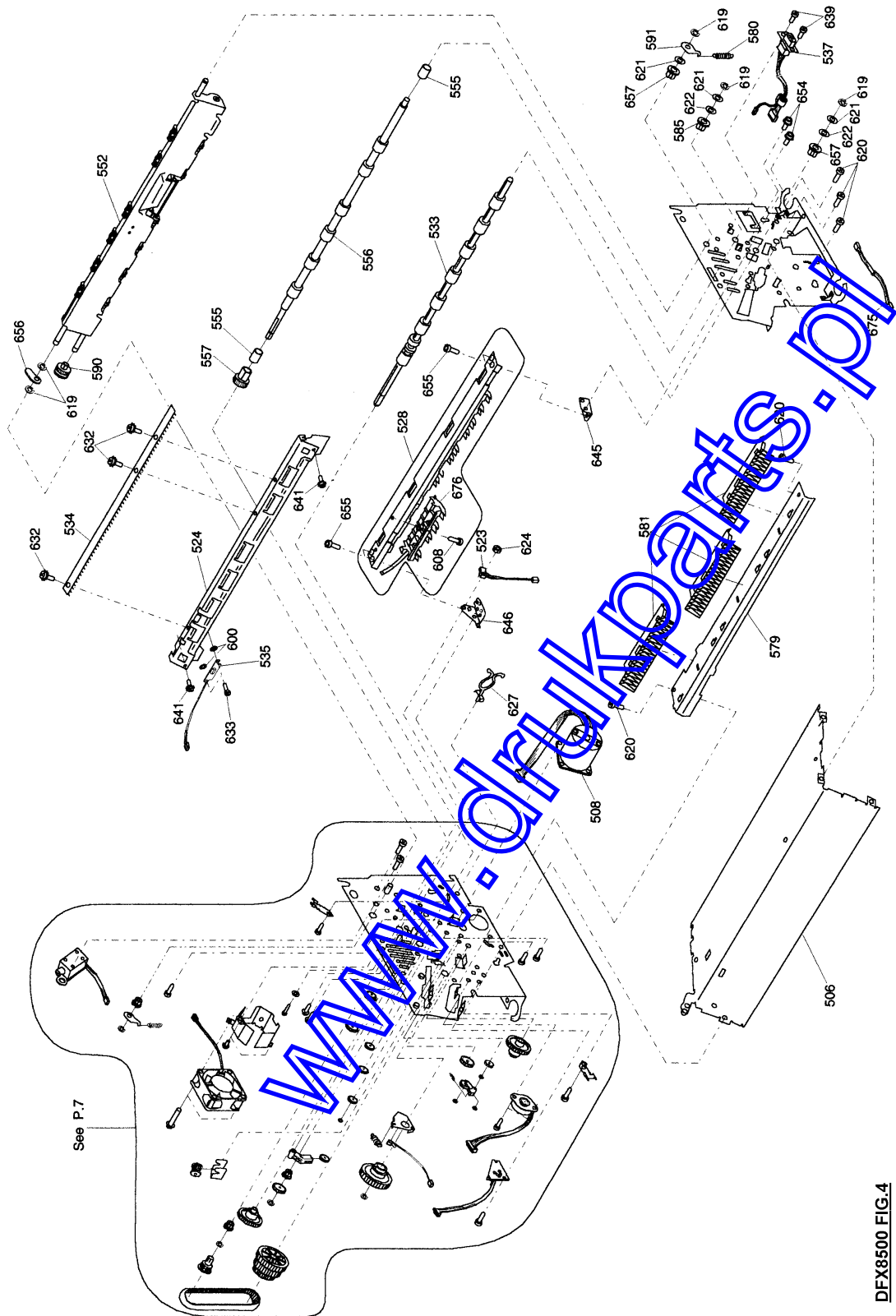
DFX8500 FIG.2

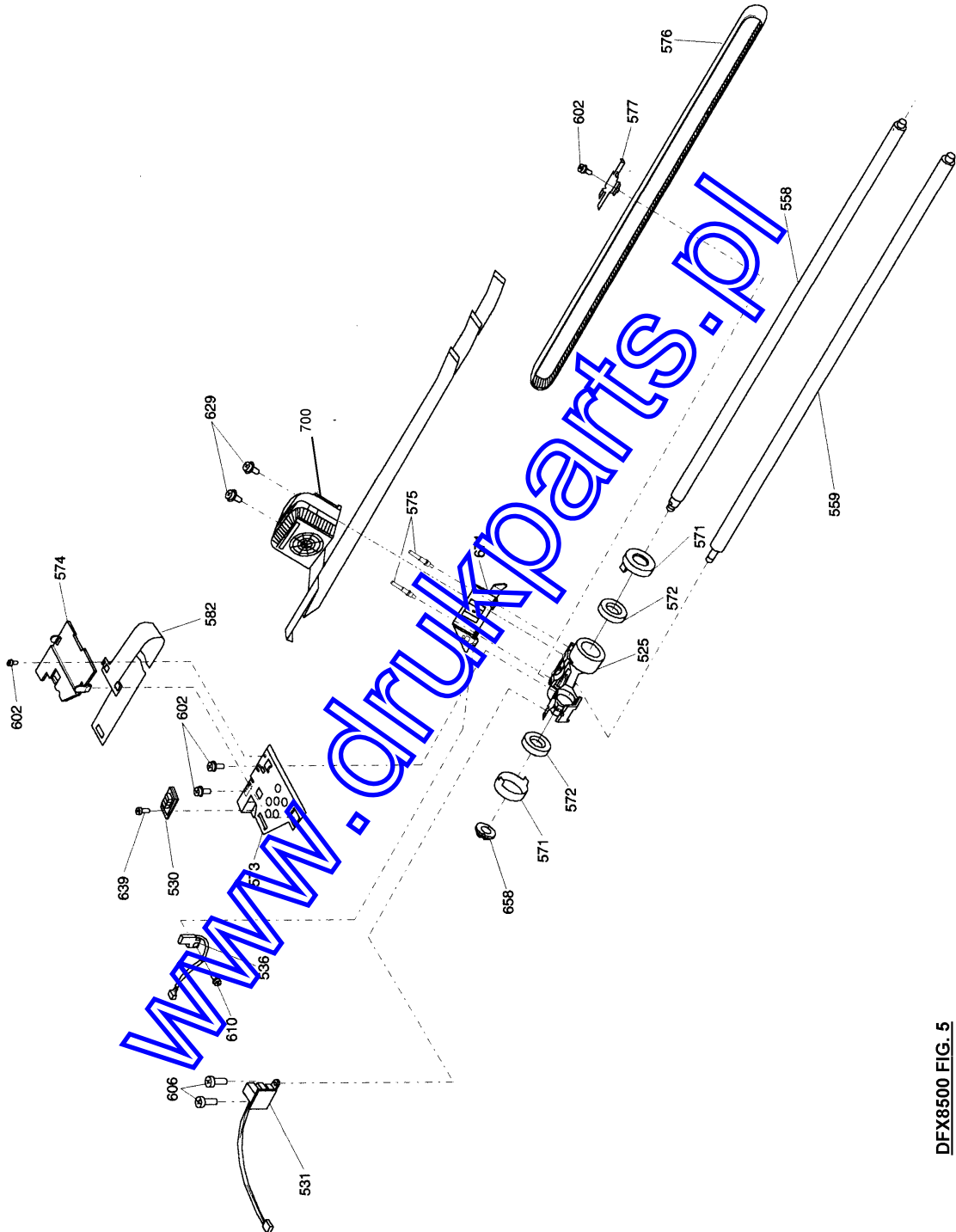


DFX8500 FIG.3

EPSON DFX8500

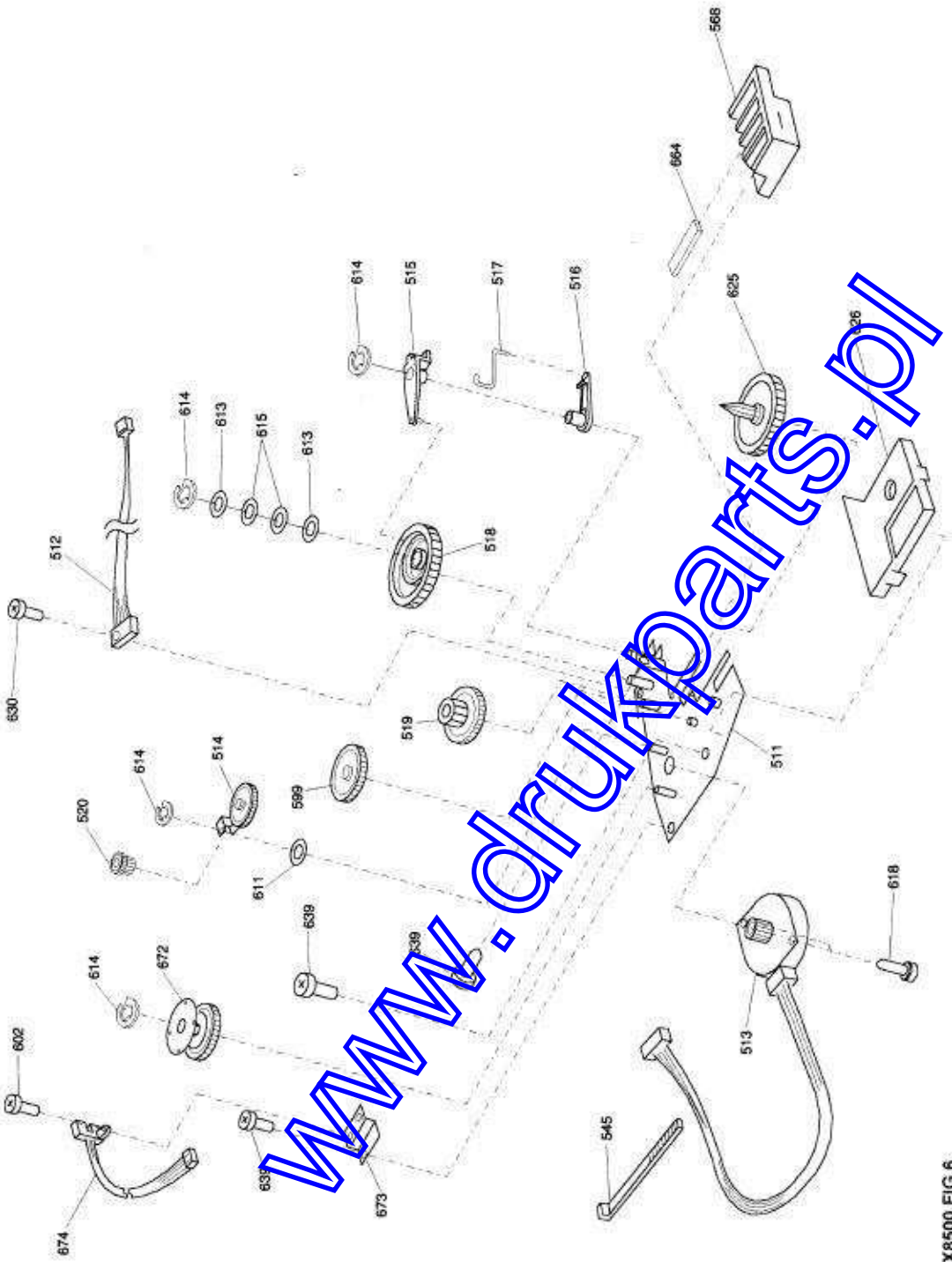
Page 18





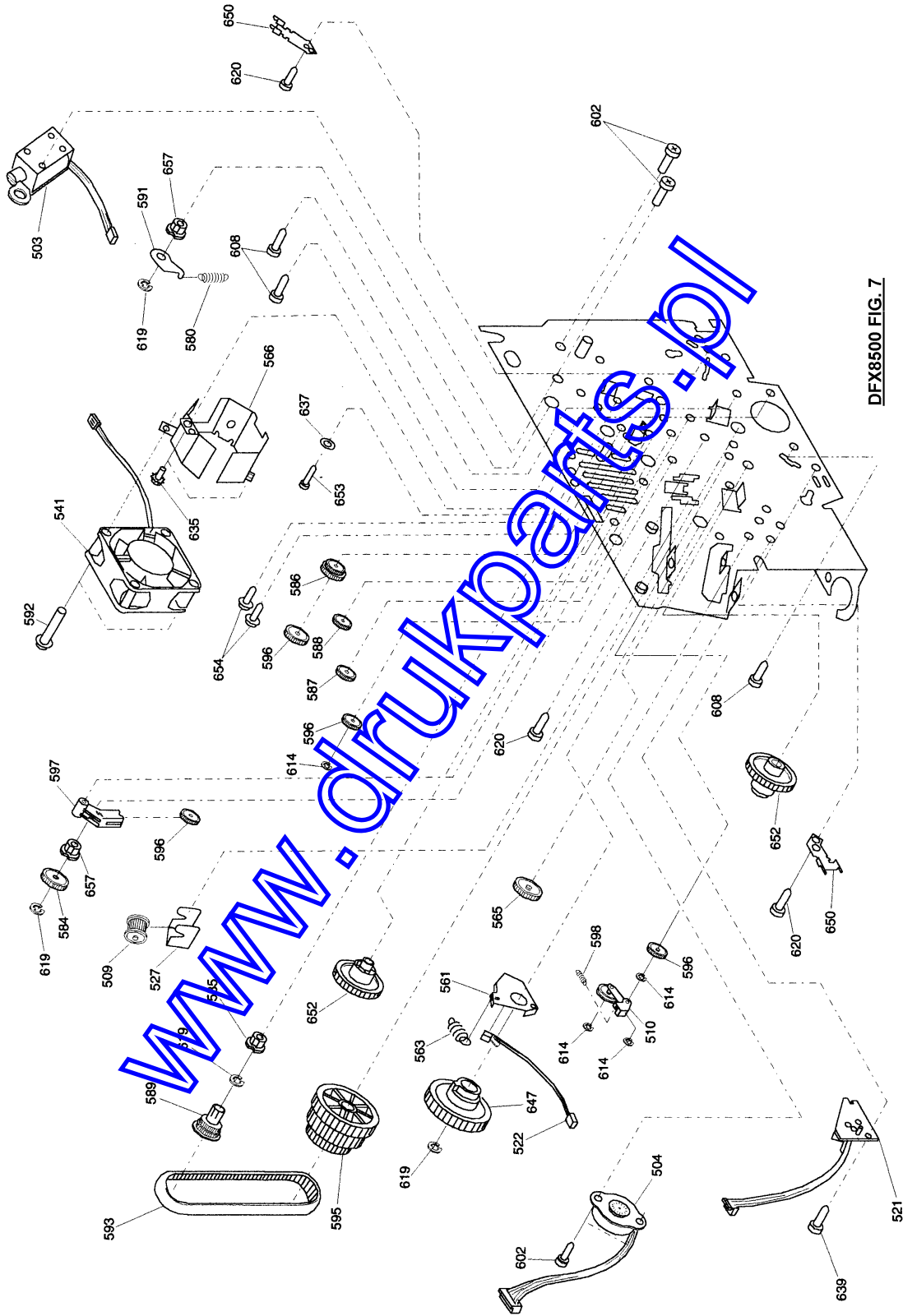
DFX8500 FIG. 5

EPSON
DFX8500



www.druckparts.pl

DFX8500 FIG.6



DFX8500 FIG. 7

EPSON

SPARES AND SERVICE

You may copy short extracts from this document for identification purposes only. Complete sections can be purchased from Epson (UK) Ltd., spares wholesalers.

Ensure that the full part number is quoted in all communications with Epson and all Epson appointed wholesalers.

If a list is found to be inaccurate please contact in writing:

The Spares Department
Epson (UK) Ltd.
Campus 100
Maylands Avenue
Hemel Hempstead
Herts.
HP2 7TJ

Fax (01442) 227324

© EPSON (UK) LTD. 1990