

NB: PART NO. RATIONALISATION –10 digit part nos. in brackets are the old numbers for otherwise identical items

DFX5000PLUS

Spares Guide showing alternative colours

Page 1

REF	PART NO	DESCRIPTION	SPEC	QTY
100	1052950	HOUSING ASSY.,LOWER		1
101	1026392	FRAME ASSY.,BOTTOM	EPSON DARK GREY	1
101	1040277	FRAME ASSY.,BOTTOM;B;W	EPSON COOL WHITE	1
102	1015100	COVER ASSY.,FRONT	EPSON DARK GREY	1
102	1037983	COVER ASSY.,FRONT	EPSON COOL WHITE	1
103	1018126	HOUSING ASSY.,UPPER		1
104	1014990	HOUSING ASSY.,TOP	EPSON DARK GREY	1
104	1037990	HOUSING ASSY.,TOP	EPSON COOL WHITE	1
105	1017972	LOGO PLATE	EPSON DARK GREY	1
105	1040384	LOGO PLATE;W	EPSON COOL WHITE	1
106	1001078	COVER,PAPER SUPPORT	EPSON DARK GREY	1
106	1037228	COVER,PAPER SUPPORT	EPSON COOL WHITE	1
107	1014804	CAP,LOWER,TYPE A	EPSON DARK GREY	1
107	1037232	CAP,LOWER	EPSON COOL WHITE	1
108	1014800	COVER,REAR	EPSON DARK GREY	1
108	1040273	COVER,REAR;W	EPSON COOL WHITE	1
109	1001054	CAP,MAGNET	EPSON DARK GREY	2
109	1037234	CAP,MAGNET	EPSON COOL WHITE	2
110	1015011	HOUSING SUB ASSY.,TOP		1
111	1014803	COVER,I/F;B	EPSON DARK GREY	1
111	1040275	COVER,I/F;B;W	EPSON COOL WHITE	1
112	1001860	MAGNET SUB ASSY.,TOP	EPSON DARK GREY	1
112	1037985	MAGNET SUB ASSY.,TOP	EPSON COOL WHITE	1
113	1074049	MECHANISM MOUNTING SCREW (F346559100)		4
114	1074050	TOP COVER HINGE SCREW (F346559120)		4
115	1001070	HOLDER,CONTROL PANEL	EPSON DARK GREY	1
115	1037236	HOLDER,CONTROL PANEL	EPSON COOL WHITE	1
116	1001071	HOUSING,LEFT	EPSON DARK GREY	1
116	1041450	HOUSING,LEFT;W	EPSON COOL WHITE	1
117	1001073	HOUSING,RIGHT	EPSON DARK GREY	1
117	1052949	HOUSING,RIGHT	EPSON COOL WHITE	1
118	1001861	COVER,TOP,SUB ASSY.	EPSON DARK GREY	1
118	1037992	COVER,TOP,SUB ASSY.	EPSON COOL WHITE	1
119	1001862	COVER,PUSH TRACTOR SUB ASSY.	EPSON DARK GREY	1
119	1037993	COVER,PUSH TRACTOR SUB ASSY.	EPSON COOL WHITE	1
120	1001863	PAPER SUPPORT SUB ASSY.	EPSON DARK GREY	1
120	1037994	PAPER SUPPORT SUB ASSY.	EPSON COOL WHITE	1
121	1023598	MOUNT,INTER LOCK		1
122	1014801	SHIELD PLATE		1
123	1001321	C.B.S. (O) SCREW	M3X8	1
124	1001322	C.B. (O) SCREW	M4X6	1
125	1071395	C.P. (S).SCREW,3X16 F/ZN (B050103811)	M3X16	2
126	1073190	C.F.S.SCREW (B300206511)	M3X10	2
127	1073243	C.B.B. SCREW (B310204411)	M3X8	3
129	1071083	C.B.SCREW (B300206511)	M3X12	4
131	1073244	C.B.B. SCREW (B310204411)	M3X10	5
132	1073247	C.B.B. SCREW (B310204511)	M3X12	15
133	1073254	C.B.B.SCREW (B310206311)	M4X10	4
134	1073284	C.B.B. SCREW (B310206611)	M4X16	30
135	1073120	C.P. (PS).SCREW (B046900111)	M4X8	5
136	1073207	C.B.S. (O) SCREW (B303406211)	M4X8	4
137	1073177	C.B.S.SCREW, 4X14 F/ZN (B300206511)		4
139	1080785	C.B.B. SCREW (B310204412)	M3X10	4
140	1001323	C.F.B. SCREW	M3X10	5
142	1002993	METAL,TRANSPORT,FIX,LEFT		1
143	1074051	TRANSPORT LOCKING BRACKET (F346559160)		1
145	2030194	FERRITE CORE		1
146	1025775	+.ONE WAY PLA-LOCK,3X12,F/ZN		1
147	1073204	C.B.S. (O) SCREW (B303404211)	M3X6	3
152	1014915	DAMPER SHEET		1
153	1014916	DAMPER SHEET;B		1
159	1014812	SHAFT,FRONT,LOWER,RIGHT	EPSON DARK GREY	1

EPSON

DFX5000PLUS

Page 2

REF	PART NO	DESCRIPTION	SPEC	QTY
159	1040235	SHAFT,FRONT,LOWER,RIGHT	EPSON COOL WHITE	1
160	1014813	SHAFT,FRONT,LOWER,LEFT		1
160	1040236	SHAFT,FRONT,LOWER,LEFT		1
161	1015103	LEVER ASSY.,LOCK,LEFT		1
162	1015104	LEVER ASSY.,LOCK RIGHT		1
163	1016758	LEAF SPRING,MECHA FRAME		1
164	1016759	LEAF SPRING,BASE FRAME		1
165	1001053	COVER,DIP SWITCH		1
165	1040276	COVER,DIP SWITCH	EPSON COOL WHITE	1
166	1002045	COVER,CONNECTOR,UPPER		1
166	1037223	COVER,CONNECTOR,UPPER	EPSON COOL WHITE	1
167	1002876	C.B. (O)SCREW,3X6,F/ZN		1
168	1076260	CONNECTOR LOCK NUT (X610058724)		2
168	1076261	CONNECTOR LOCK NUT (X610058726)		1
170	2017404	DETECTOR,INTER LOCK	2.5,30V,6A.	1
200	2023889	BOARD ASSY.,MAIN		1
200	2023890	BOARD ASSY.,MAIN		1
201	2052824	SCREW (X610059020)	TYPE-M2.6-0.4	2
201	2052825	SCREW (X610059030)	DI.Ø1.4-4.0GUNC	2
202	1006374	GUIDE,I/F BOARD		1
203	1016570	BRACKET,I/F		1
204	1016571	SHIELD PLATE,MAIN		1
205	1016572	EARTH SPRING;B		1
206	1016573	COVER,DIP SWITCH		1
207	1016574	HEAT SINK		1
208	1016575	METAL,HOLDER		1
209	1073777	C.P.SCREW (B010103611)	M3X12	1
210	1004635	C.B. SCREW (B010301511)	M3X6	2
211	1021816	C.P. (O) SCREW (B040450511)	M3X6 F/ZN	2
212	1073171	C.B.S-TITE.SCREW,3X8,F/ZN		4
213	1002876	C.B. (O)SCREW,3X6,F/ZN		1
220	2019672	BOARD ASSY.,POWER SUPPLY	220V	1
220	2011317	BOARD ASSY.,POWER SUPPLY	120V	1
222	1073165	C.B.S. SCREW (B300204211)		7
223	1016569	METAL,FITING,FAN		1
224	1073183	C.C.S. SCREW (B300304411)	M3X10	4
230	2008070	FAN ASSY.		1
220	2011318	BOARD ASSY.,POWER SUPPLY	220V/240V	1
222	1073165	C.B.S. SCREW (B300204211)		7
223	1016569	METAL,FITING,FAN		1
224	1073183	C.C.S. SCREW (B300304411)	M3X10	4
230	2008070	FAN ASSY.		1
400	2002364	POWER CABLE, (VDS1803SA-10A)	230V	1
401	2006741	POWER CABLE,BPS1303SA-SR-10A	240V	1
402	2010468	AC CABLE,AS31303SA	240V	1
402	2037212	POWER CABLE		1
403	2002365	POWER CABLE,VDO0303SA-10A	220V	1
404	2000752	POWER CABLE	120V	1
405	2051543	POWER CABLE (Y901203SA) (Y901300800)	100V	1
411	2011446	HARNESS		1
412	2011443	HARNESS		1
413	2011445	HARNESS		1
414	2018282	HARNESS		1
415	2000606	WIRE-HARNESS		1
416	2000711	WIRE-HARNES		1
419	2017635	HARNESS,INTERMIT		1
450	2011199	CONTROL PANEL		1
450	2027984	CONTROL PANEL	EPSON COOL WHITE	1
500	2011567	PRINTER MECHANISM	M-3C61	1
501	1016751	FRAME ASSY.,LEFT		1
502	1016906	FRAME ASSY.,RIGHT		1
503	2011619	SOLENOID ASSY.,LD		1
504	2051873	PLATEN GAP ADJUSTMENT MOTOR (F346051001)	DC35V/0.7A	1
505	2011558	MOTOR ASSY.,CARRIAGE	DC24V/17W	1

EPSON

DFX5000PLUS

Page 3

REF	PART NO	DESCRIPTION	SPEC	QTY
506	1000450	FRAME,LOWER		1
507	1016899	FRAME,FRONT		1
508	2007992	MOTOR ASSY.,PF	DC4.34V/1.55A/6.7W	1
509	1000926	PULLY ASSY.,BELT		1
510	1074269	TENSION PULLEY ASSEMBLY (F346102000)		1
511	1074293	RIBBON FEED MOTOR FRAME (F346105000)		1
512	1074298	TRACTOR SELECT DETECTOR (F346106000)		1
513	2051872	RIBBON FEED MOTOR (F346107000)	DC35V/5W	1
514	1074308	RIBBON FEED SELECT GEAR (F346108000)		1
515	1042838	TRACTOR SELECT LEVER A		1
516	1017062	TRACTOR SELECT LEVER LOWER		1
517	1042665	SPRING,CHANGE,TRACTOR		1
518	1074282	TRACTOR SELECT CAM (F346104040)		1
519	1074285	TRACTOR SELECT TRANSMISSION GEAR (F346104050)		1
520	1074290	RIBBON FEED TRANSMISSION GEAR (F346104060)		1
521	2051563	PAPER THICKNESS DETECTOR (F346151000)		1
522	2011564	DETECTOR ASSY.,PGHP		1
523	1001346	DETECTOR ASSY.,PULL TRACTOR		1
524	1000485	PAPER GUIDE,UPPER		1
525	1016136	CARRIAGE ASSY.		1
526	2000788	LEAD WIRE		3
527	1074341	BELT PULLEY HOLDER (F346203000)		1
528	1016774	PLATEN ASSY.		1
529	2011559	BOARD ASSY.,INTERMIT		1
530	2011560	BOARD ASSY.,INTERMIT,CARRIAGE		1
531	2011561	BOARD ASSY.,DETECTOR,PTS		1
532	1020343	PAPER ASSY.,SUPPORT		1
533	1016775	ROLLER ASSY.,LD		1
534	1016011	STATIC DISCHARGE BRUSH		1
535	2000811	DETECTOR ASSY.,PAPER END,UPPER		1
536	2011563	DETECTOR ASSY.,PW		1
537	1018949	COVER,PWS,SUPPORT		1
538	1039686	HOLDER,CARRIAGE MOTOR		1
539	1016900	MOUNT PLATE,CARRIAGE MOTOR		1
540	2011354	CABLE,BOARD,INTERMIT,HEAD		1
541	1016757	PAPER GUIDE ASSY.,PJ DETECTOR		1
543	1016058	WIRE,TRACTOR		2
544	1016040	DETECTOR PLATE,PTS		1
545	1024964	WIRE BAND		2
546	2011176	RESISTOR		1
547	1043946	TRACTOR SUB ASSY.,FRONT,LEFT		1
548	1043948	TRACTOR,FRONT,RIGHT		1
549	1016138	PAPER SUPPORT		4
550	1016051	SHAFT,TRACTOR		2
551	1074033	TRACTOR GUIDE SHAFT (F346259030)		2
552	1042366	FRAME ASSY.,PF		1
553	1043947	TRACTOR SUB ASSY.,REAR,LEFT		1
554	1043950	TRACTOR,REAR,RIGHT		1
555	1000500	SPACER,PF,ROLLER		2
556	1019991	ROLLER,PF,PTFE		1
557	1000499	SPUR GEAR	18.4	1
558	1016038	SHAFT,CR,GUIDE,REAR		1
559	1016037	SHAFT,CR,GUIDE,FRONT		1
561	1015452	LEVER,SHAFT,LEFT		1
562	1015451	LEVER,SHAFT,RIGHT		1
563	1074211	GUIDE SHAFT HOLDING SPRING (F346003080)		2
564	1000451	LEVER,G,ADJUST		1
565	1074216	PAPER GAP ADJUST CENTRE GEAR (F346003100)		1
567	1000452	COVER,CONNECTOR		1
568	1000455	DAMPER,LEFT		1
569	1018356	DAMPER,RIGHT		1
570	1000456	DAMPER,LOWER		4
571	1020360	OIL PAD COVER		2
572	1074224	OIL PAD RING (F346003200)		2
573	1016903	FRAME,HEAD CABLE		1

EPSON

DFX5000PLUS

Page 4

REF	PART NO	DESCRIPTION	SPEC	QTY
574	1018094	COVER,HEAD CABLE		1
576	1000477	TIMING BELT,CARRIAGE		1
577	1000478	HOLDER,BELT FASTEN		1
578	1074228	OIL PAD (F346003240)		1
579	1000487	FRAME,PAPER GUIDE MOUNT		1
580	1000505	EXTENSION SPRING,1000		2
581	1000486	PAPER GUIDE,LOWER		3
582	1001797	SHEET,HEAD CABLE.PROTECT		1
584	1074239	PLATEN ROLLER GEAR (F346003340)		1
585	1074240	PLATEN ROLLER SHAFT HOLDER (F346003350)		10
586	1074241	PLATEN ROLLER REDUCTION GEAR (F346003360)		1
587	1074242	PLATEN ROLLER TRANSMISSION GEAR (F346003371)		1
588	1074243	PLATEN ROLLER MIDDLE GEAR (F346003380)		1
589	1074244	TENSION ROLLER GEAR (F346003390)		1
590	1074245	PAPER BAIL GEAR (F346003400)		1
591	1074246	PAPER BAIL LEVER (F346003410)		2
593	1000497	TIMING BELT,PAPER FEED		1
595	1074251	PAPER FEED REDUCTION GEAR (F346003450)		1
596	1074252	PAPER FEED MIDDLE GEAR (F346003460)		4
597	1074253	TRACTOR SELECT GEAR HOLDER (F346003471)		1
598	1074256	TENSION PULLEY SPRING (F346003490)		1
599	1074257	RIBBON FEED TRANSMISSION GEAR (F346003500)		1
601	1074746	PLAIN WASHER (B100152212)	3X0.2X10	3
602	1021819	C.P.S.P.SCREW (B040550411)	M4X6	9
603	1001830	C.P. (C). (S) SCREW	M4X10	3
604	1073980	PLAIN WASHER (B100152112)	3X0.2X9	2
605	1033025	C.P. (PS) SCREW (B047100111)	M4X6	4
606	1071399	C.P. (S) SCREW (B030150111)	M2.6X5 F/ZN	2
607	1017930	MINI CLAMP YMC-05-H-0		1
608	1079095	C.P. (PS) SCREW (B047100211)	M4X8	8
610	1001827	C.P.S.P SCREW	M2.5X6	1
611	1074745	PLAIN WASHER (B100150412)	4X0.2X6	1
612	1073207	C.B.S. (O) SCREW (B303406211)	M4X8	4
613	1076269	PLAIN WASHER (B100167090)	4.1X0.2X7.8	2
614	1074104	RETAINING RING (B150300611)	TYPE-E(3)	8
615	1076284	LEAF SPRING (B101253890)	4.1X0.13X8.3	1
616	1076227	H.N.F. (B081800111)	M4	4
617	1001091	FLANGE NUT		2
618	1004853	C.P.S. (O) SCREW	M3X8	2
619	1074768	RETAINING RING (B150300911)	TYPE-E(6)	13
620	1073174	C.B.S SCREW (B300206211)	4X8	11
621	1076283	LEAF SPRING (B101253901)	8.2X0.15X15	4
622	1076264	PLAIN WASHER (B100166012)	8X0.5X15	6
623	1001188	WIRE HOLDER		2
624	1074729	HEXAGON NUT (B070100111)	M2	1
625	1074259	RIBBON FEED DRIVE GEAR (F346003511)		1
626	1074260	RIBBON FEED GEAR COVER (F346003520)		1
627	1001189	CABLE CLIP		2
628	1001809	LOCKING WIRE SADDLE		1
629	1073120	C.P. (PS) SCREW (B046900111)	M4X8	2
630	1071386	C.P.S.SCREW (B030101711)	M2X10	1
631	1074066	HEXAGON NUT (B070100311)	M3	4
632	1074121	C.P.S. (O) SCREW (B302404211)	M3X6	3
633	1025014	C.P.S (P.S) SCREW,3X10,F/ZN		2
634	1040327	METAL FITTINGS,FASTEN,SHAFT		1
635	1008492	PLAIN WASHER 3*0.5*8 F/ZN	3X0.5X8	8
637	1076271	PLAIN WASHER (B100168012)	2.5X0.5X7.5	1
638	1019992	SHEET,DUST PROOF		1
639	1073165	C.B.S. SCREW (B300204211)		6
640	1073171	C.B.S-TITE.SCREW,3X8,F/ZN		2
641	1073170	C.B.S.SCREW (B300206111)	M4X6	6
643	1002458	SPACER,CR,SHAFT,LOWER		1
644	1008186	"PLASTI RIVET"		1
645	1015449	MOUNT PLATE,PLATEN,RIGHT		1

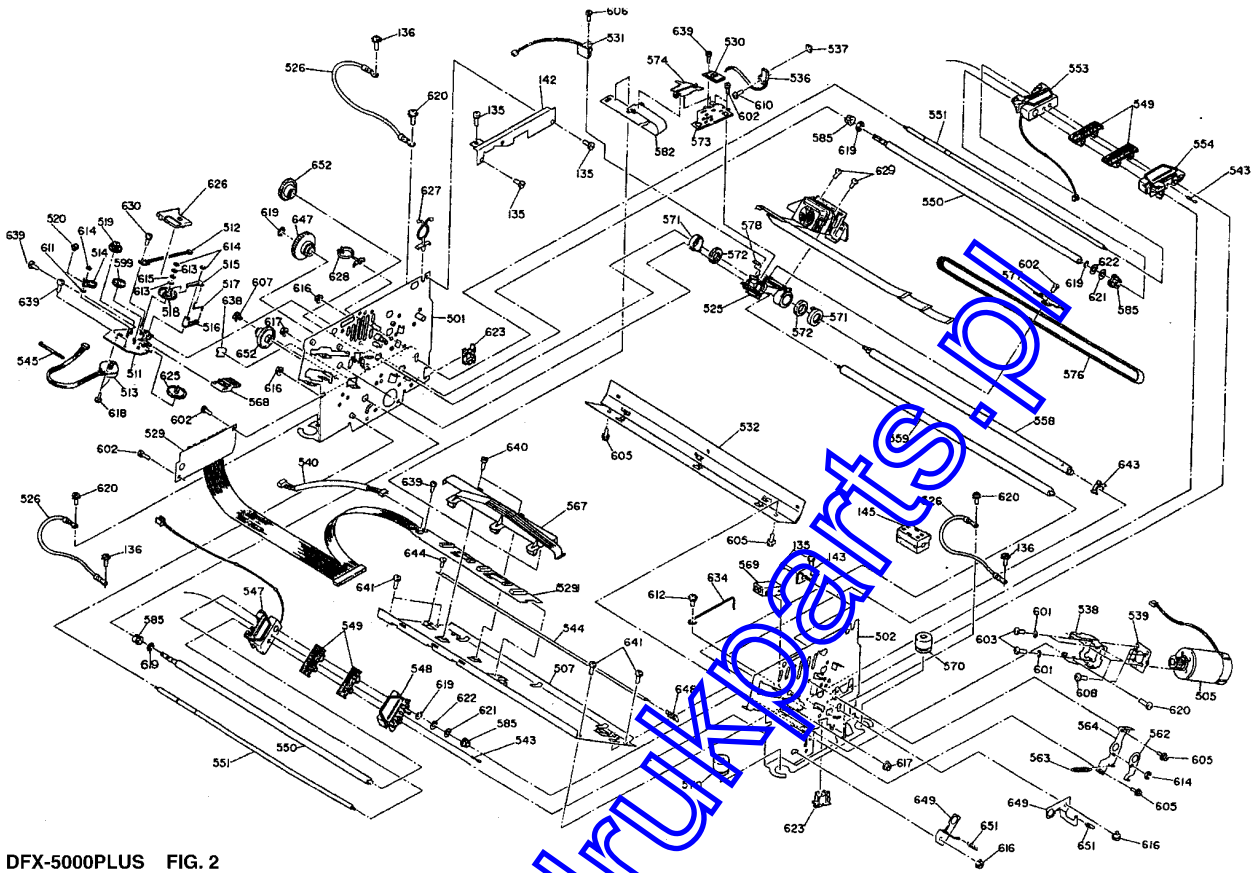
EPSON

DFX5000PLUS

REF	PART NO	DESCRIPTION	SPEC	QTY
646	1015450	MOUNT PLATE,PLATEN,LEFT		1
647	1016039	SPUR,GEAR,40		1
648	1016041	EXTENSION SPRING,320		1
649	1016047	MOUNT PLATE WIRE,RIGHT		2
650	1016048	MOUNT PLATE,WIRE,LEFT		2
651	1016049	EXTENSION SPRING,40		2
652	1016053	SPUR GEAR,32		2
653	1016585	C.P.S SCREW,2X14,F/ZN		1
654	1016079	H.SOCKET CAP (B) SCREW,3X8		4
655	1019855	H.SOCKET CAP (B) SCREW,4X8		4
656	1019843	LEVER,TENSION,CANCEL		1
N/A	1019970	PRINT HEAD INC RIBBON MASK	FIXING SCREWS NOT INCLUDED	1
END				

www.drukparts.nl

EPSON DFX5000PLUS

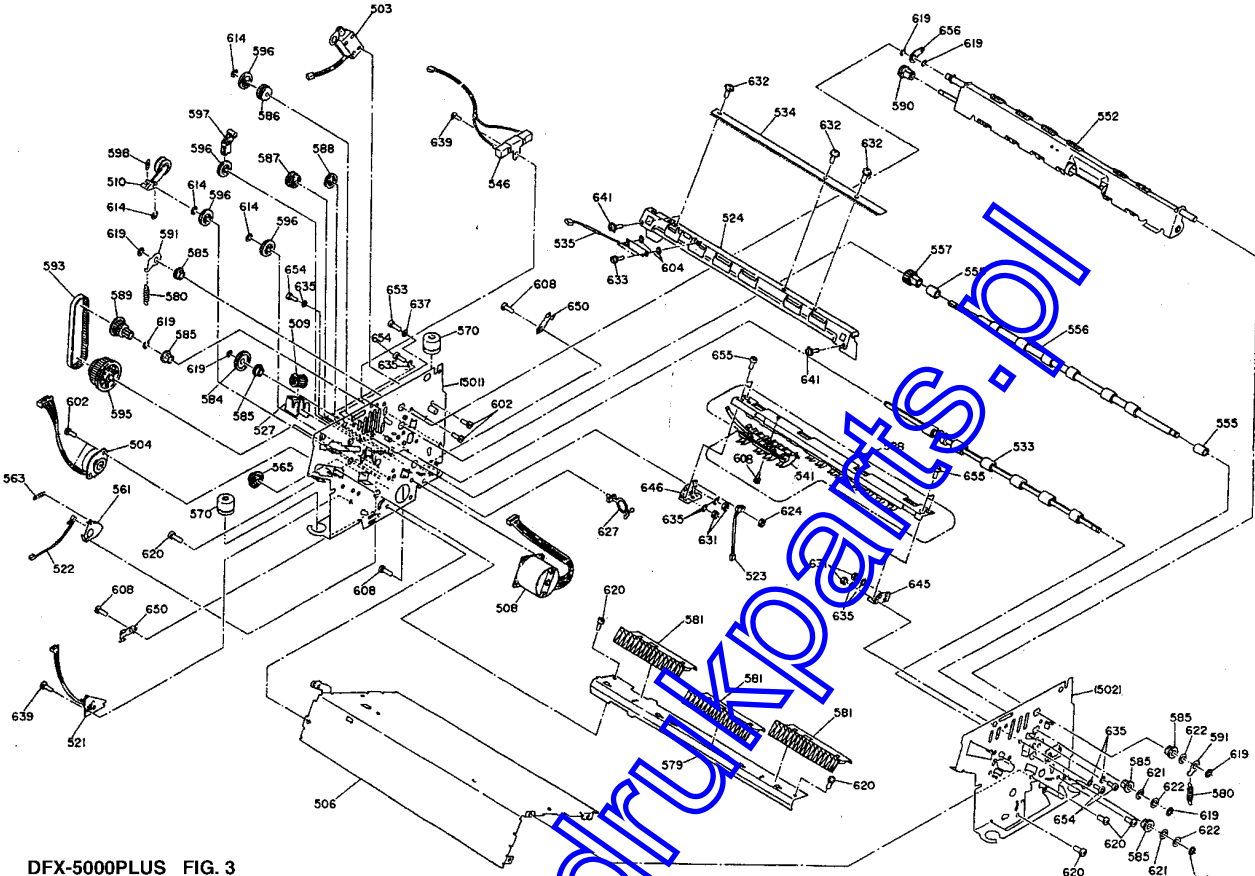


DFX-5000PLUS FIG. 2

www.druckparts.nl

EPSON

DFX5000PLUS



DFX-5000PLUS FIG. 3

www.druckarts.nl