

# ***PIXMA iP4200***

# **PARTS CATALOG**

[www.drukparts.pl](http://www.drukparts.pl)

**Canon**

---

Copyright 2005, Canon U.S.A. This technical publication is the proprietary and confidential information of Canon U.S.A. which shall be retained for reference purposes by Authorized Service Facilities of Canon U.S.A. Its unauthorized use is prohibited.

# Parts Catalog

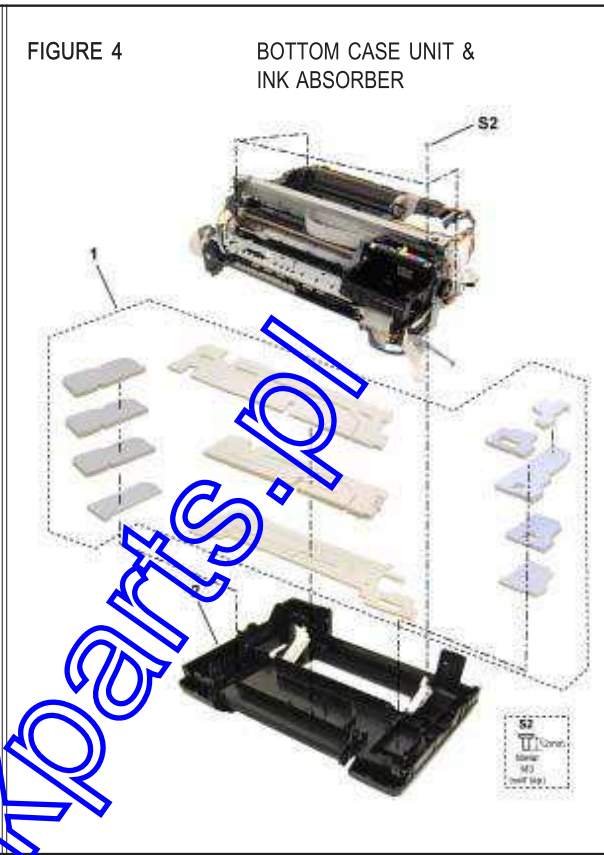
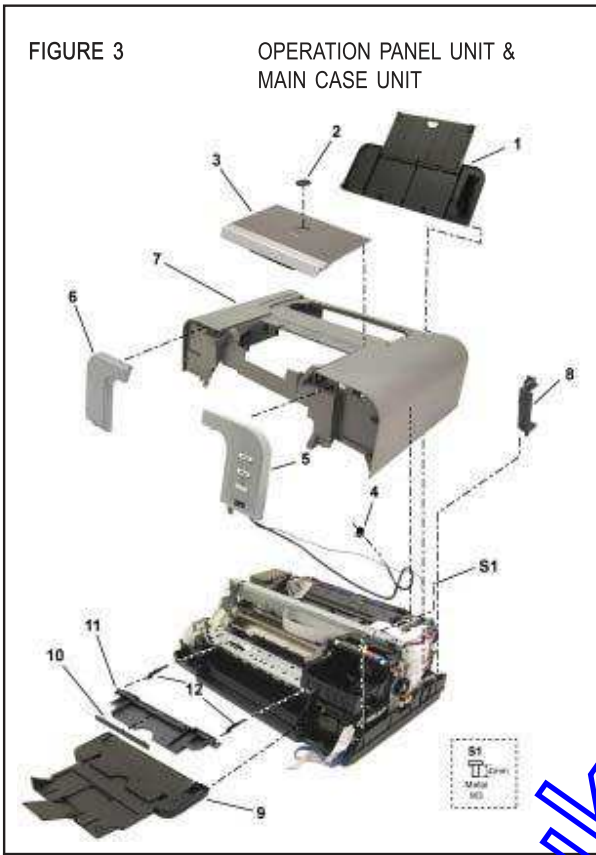
# PIXMA iP4200

Canon



NUM.	PART #	DESCRIPTION	NUM.	PART #	DESCRIPTION
1 - 1	QM2-2219-000	CASSETTE UNIT	2 - 1	QK1-1479-000	AC ADAPTER: 100V-120V 50/60HZ
2	QC1-6377-000	COVER, CASSETTE			
3	QY6-0059-000	PRINT HEAD			
4	QK1-0278-000	CORD, POWER 100V-120V			

Canon



NUM.	PART #	DESCRIPTION	NUM.	PART #	DESCRIPTION
3 - 1	QM2-2226-000	PAPER SUPPORT UNIT	4 - 1	QY5-0146-000	ABSORBER KIT
2	QC1-6719-000	EMBLEM, PIXMA	2	QM2-2227-000	BOTTOM CASE UNIT
3	QM2-2222-000	ACCESS COVER UNIT			
4	WE8-5881-000	CORE, RING			
5	QM2-2225-000	PANEL COVER R UNIT			
6	QM2-2224-000	PANEL COVER L UNIT			
7	QM2-2221-000	MAIN CASE UNIT			
8	QC1-6405-000	COVER, I/F			
9	QM2-2228-000	FRONT DOOR UNIT			
10	QC1-6199-000	COVER, CD TRAY BASE W/O CD PRINTING			
11	QM2-2220-000	INNER (C/R) TRAY BASE UNIT			
12	QC1-6321-000	ARM RELEASE (2)			

Canon

FIGURE 5

LOGIC BOARD ASS'Y

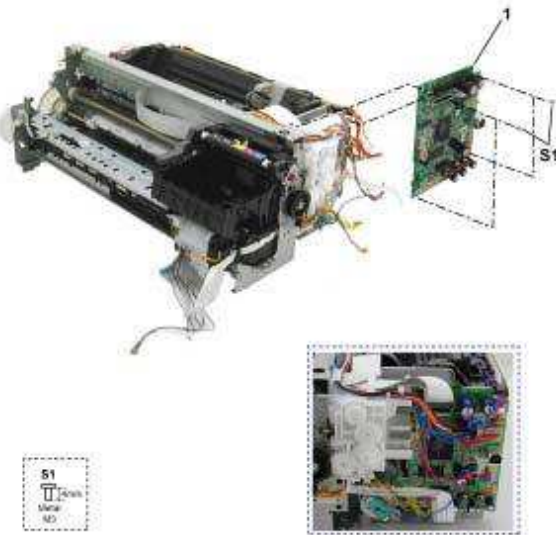
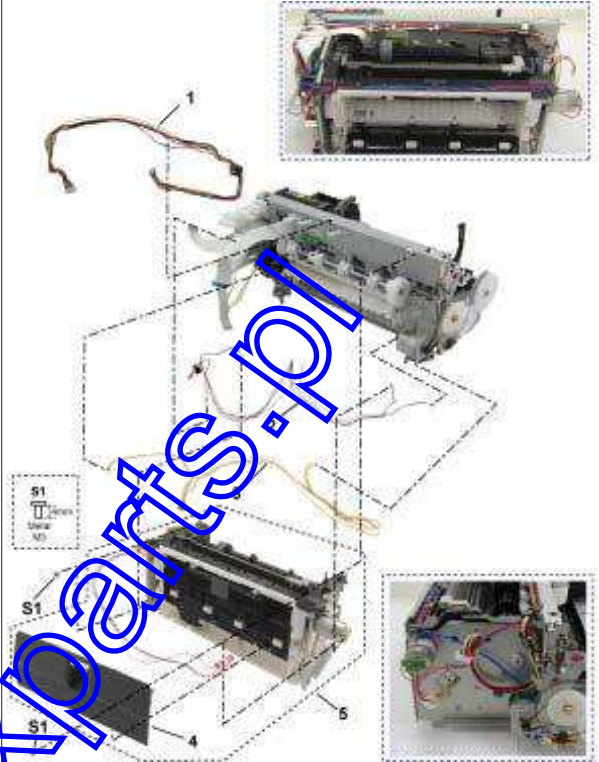


FIGURE 6

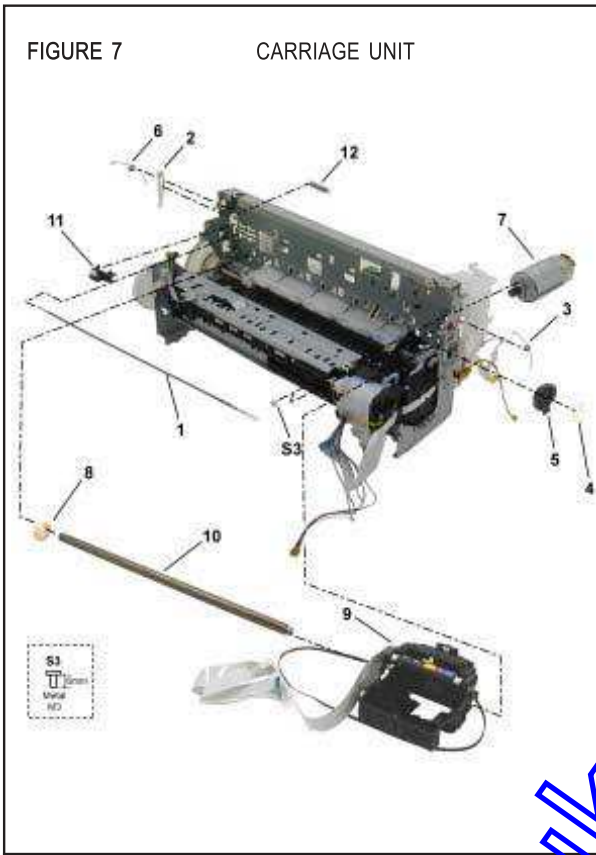
SHEET FEED UNIT



NUM.	PART #	DESCRIPTION
5 - 1	QM2-2670-000	LOGIC BOARD ASS'Y

NUM.	PART #	DESCRIPTION
6 - 1	QM2-2695-000	DC CONNECTOR ASS'Y
2	QM2-2688-000	MOTOR MULTI HARNESS ASS'Y
3	QM2-2685-000	SENSOR MULTI HARNESS ASS'Y
4	QC1-6347-000	COVER, PAPER FEED GUIDE
5	QM2-2211-000	SHEET FEED UNIT

Canon



NUM.	PART #	DESCRIPTION
7 - 1	QC1-6394-000	FILM, TIMING SLIT STRIP
2	QC1-6201-000	SPRING, LEAF
3	QC1-6207-000	CLIP, SHAFT R
4	QC1-6306-000	RING, CARRIAGE SHAFT
5	QC1-6209-000	CAM, CARRIAGE SHAFT R
6	QC1-6206-000	CLIP, SHAFT L
7	QK1-1500-000	MOTOR, CARRIAGE
8	QC1-6208-000	CAM, CARRIAGE SHAFT L
9	QM2-2207-000	CARRIAGE UNIT
10	QC1-6203-000	SHAFT, CARRIAGE
11	QL2-0938-000	IDLER PULLEY ASS'Y
12	QC1-6202-000	SPRING, COIL

NUM.	PART #	DESCRIPTION
8 - 1	QC1-6272-000	ABSORBER, INK
2	QM2-2202-000	PLATEN UNIT



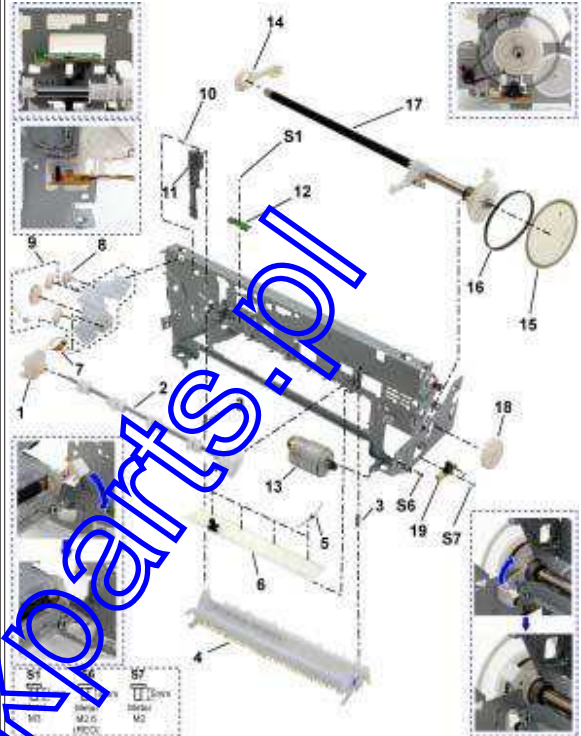
FIGURE 9

PURGE UNIT



FIGURE 10

PAPER FEED & CARRIAGE LIFT PART



NUM.	PART #	DESCRIPTION
------	--------	-------------

9 - 1	QK1-1636-000	CABLE, PANEL
2	QM2-2208-000	PURGE UNIT
3	QC1-6458-000	TUBE, WASTE INK
4	QC1-6460-000	HOLDER, WASTE INK TUBE

NUM.	PART #	DESCRIPTION
------	--------	-------------

10 - 1	QC1-6216-000	CAM, SWING ARM LOCK
2	QL2-0936-000	PR LIFT SHAFT ASS'Y
3	QC1-6232-000	SPRING, TENSION (2)
4	QM2-2204-000	PAPER GUIDE UNIT
5	QC1-6226-000	SPRING, TORSION (4)
6	QM2-2201-000	PRESSURE ROLLER ASS'Y
7	QM2-2678-000	CARRIAGE LIFT SENSOR UNIT
8	QC1-6213-000	GEAR, INPUT CARRIAGE LIFT
9	QM2-2232-000	CARRIAGE LIFT GEAR BASE UNIT
10	QC1-6471-000	SPRING, TENSION
11	QC1-6217-000	LEVER, SWING ARM LOCK
12	QM2-2677-000	PE SENSOR UNIT
13	QK1-1502-000	MOTOR, PAPER FEED
14	QC1-6227-000	BUSHING
15	QC1-6229-000	FILM, TIMING SLIT DISK
16	QC1-6230-000	BELT, PAPER FEED
17	QL2-0925-000	FEED ROLLER ASS'Y
18	QC1-6225-000	GEAR, EJECT
19	QM2-2683-000	TIMING SENSOR UNIT