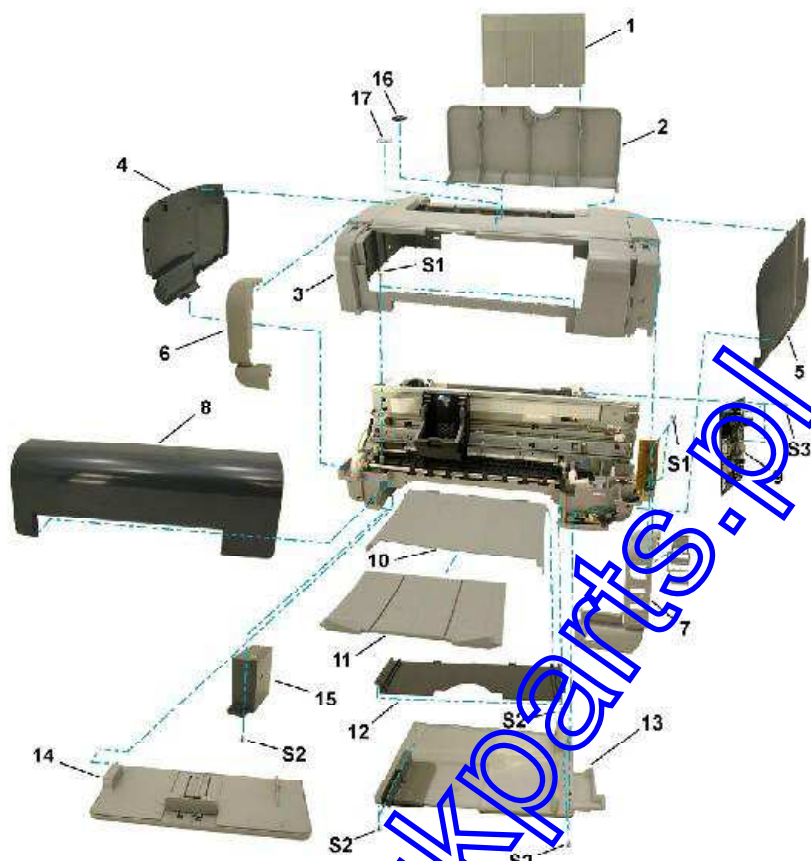
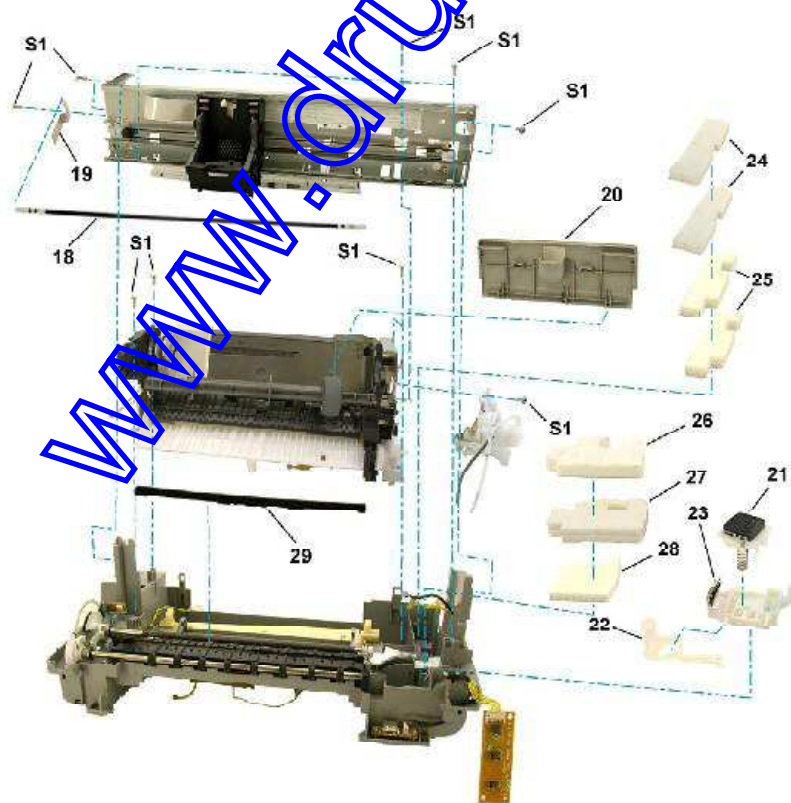


5. EXTERNAL VIEW / PARTS LIST

5-1. External Parts, Power Supply Unit, Logic Board Ass?y



5-2. Print Unit



Parts List

Key	Part Number	Rank	Q'ty	Description	Remark	Common parts
	QY6-0054-000	K	1	PRINT HEAD		B
1	QC1-5041-000	J	1	PAPER SUPPORT TRAY		
2	QC1-5040-000	J	1	PAPER SUPPORT		
3	QM2-1674-000	J	1	UPPER COVER UNIT		
4	QC1-5038-000	J	1	SIDE COVER L		
5	QC1-5039-000	J	1	SIDE COVER R		
6	QC1-5055-000	J	1	PANEL COVER R		
7	QC1-5056-000	J	1	PANEL COVER L		
8	QC1-5037-000	J	1	ACCESS COVER		
9	QM2-1735-000	I	1	LOGIC BOARD ASS'Y		
10	QC1-5042-000	J	1	OUTPUT TRAY		
11	QC1-5043-000	J	1	EXTENTION OUTPUT TRAY		
12	QC1-5052-000	J	1	OUTPUT TRAY HOLDER		
13	QM2-1672-000	J	1	BASE COVER UNIT		
14	QM2-1673-000	J	1	FRONT COVER		
15	QK1-0927-000	I	1	AC ADAPTER: 100/120V 50/60HZ	LV	
	QK1-0930-000	N	1	AC ADAPTER: 220/240V 50/60HZ	HV (EU/ASIA/AU/KR/HK/GB/EUM)	
16	QC1-5005-000	J	1	EMBLEM (E)		B
	QC1-5009-000	J	1	EMBLEM (J)		B
17	QC1-5111-000	J	1	PIXMA LABEL (E)		
18	QC1-5104-000	I	1	TIMING SLIT STRIP FILM		B
19	QC1-5106-000	I	1	TIMING SLIT STRIP FILM SPRING		
20	QC1-5080-000	J	1	PAPER FEED GUIDE COVER		
21	QM2-1678-000	I	1	CAP UNIT		
22	QC1-5024-000	I	1	BLADE LOCK LEVER		
23	QM2-1676-000	I	1	BLADE UNIT		
24	QC1-5022-000	I	2	INK ABSORBER1		
25	QC1-5105-000	I	2	INK ABSORBER2		
26	QC1-5023-000	I	1	INK ABSORBER3		
27	QC1-5021-000	I	1	INK ABSORBER4		
28	QC1-5020-000	I	1	INK ABSORBER5		
29	QC1-5007-000	I	1	PLATEN ABSORBER		
S1	XA9-1493-000	G		SCREW, TP M3x8	FOR UPPER CASE UNIT FOR PRINT UNIT	A
S2	XB6-7300-805	G		SCREW, TP BH3x8	FOR PRINT UNIT FOR AC ADAPTER FOR BASE COVER UNIT	
S3	XB1-7300-605	G		SCREW, MACHINE WASHER HEAD M3x6	FOR LOGIC BOARD ASS'Y	A

Power cables:

	QH2-2720-000	S	1	CORD, POWER	120V (LAM-LV)	A
	QH2-2724-000	S	1	CORD, POWER	100V-120V (JP)	B
	QH2-2725-000	S	1	CORD, POWER	100V-120V	A
	QH2-2726-000	S	1	CORD, POWER	220V-240V	A
	QH2-2727-000	S	1	CORD, POWER	220V-240V (AU)	A
	WT3-5156-000	S	1	CORD, POWER	220V-240V (GB, HK)	A
	WT3-5160-000	S	1	CORD, POWER	220V-240V (KR)	A
	WT3-5182-000	S	1	CORD, POWER	220V-240V (CHN)	A

A: In common with the iP1500 and iP1000

B: In common with the iP1500