

LBP-460/465

PARTS CATALOG

REVISION 2

www.drukparts.pl

Canon

MAY 1999

RY8-3314-020

PREFACE

This Parts Catalog contains listings of parts used in the LBP-460/465. Diagrams are provided with the listings to aid the service technician in clearly identifying the item to be ordered.

Whenever ordering parts, consult this Parts Catalog for all of the information pertaining to each item. Be sure to include in the Parts Request the full item description, the item part number, and the quantity. The parts catalog may be revised if there is significant product modification. For minor product modifications, a Service Information Bulletin will be issued.

Canon Inc.

Peripheral Products Quality Planning Div.
Peripheral Products Technical Documentation Dept
5-1, Hakusan 7-chome, Toride-shi, Ibaraki 302-8501, Japan

www.drukparts.pl

COPYRIGHT © 1999 CANON INC.

Printed in Japan

Imprimé au Japon

Use of this manual should be strictly supervised to avoid disclosure of confidential information.



SERVICE INFORMATION

Issued by Peripheral Products Quality Assurance Center, Canon Inc.

MODEL :

LBP-460/465

NO. : RAG-12E-0005

DATE : May 10, 1999

Y. Kajihara

LOCATION

SUBJECT

Revision of Parts Catalog for LBP-460/465

The Parts Catalog for LBP-460/465 will have been revised to contain updated information and error corrections over the revised edition 1. The revised Parts Catalog has two separate versions - one in English and the other in Japanese, while the revised edition 1 has only one version written in both languages. But, since LBP-460/465 was not sold to the Japanese market, the revised parts catalog is English version only.

Part number for the Parts Catalog is below:

RY8-31A7-010 : Revised edition 1 of Parts Catalog (English and Japanese)

RY8-3314-020 : Revised edition 2 of Parts Catalog (English)

Please be advised to keep at hand the revised edition of the Parts Catalog.

www.drukparts.nl

RY8-3314-02Y

REVISION PAGE LIST

Model : LBP460/465
PARTS CATALOG

R : Replacement

S : Supplement

D : Destroyed

Page 1

FIG- URE	PAGE	REVISION					FIG- URE	PAGE	REVISION				
		JULY 1995	JULY 1996	MAY 1999					JULY 1995	JULY 1996	MAY 1999		
	i	0	1R	2R			320	1	0	1R	2R		
	ii	0	1R	2R									
	iii	0	1R	2R			330	1	0	1R	2R		
	iv	0	1R	2R									
	v	0	1R	→			340	1	0	1R	2R		
	vi	0	1R	D									
	vii		0S	D			350	1	0	1R	2R		
A	1	0	→	1R			900	1		1R	2R		
001	1	0	1R	2R			B	1	0	1R	2R		
100	1	0	1R	2R									
	2	0	1R	2R									
101	1	0	1R	2R									
	2	0	1R	2R									
102	1	0	1R	2R									
	2	0	1R	2R									
103	1	0	→	1R									
	2	0	1R	2R									
110	1	0	1R	2R									
	2	0	1R	2R									
260	1	0	1R	2R									
310	1	0	1R	2R									
	2	0	1R	2R									

www.druckparts.pl

LIST OF ORDER AND SERIAL NUMBERS

NAME	REMARKS	ORDER No.	SERIAL No.
LBP-460	100-120V CCSI	R72-3024-000	JCQ00001-
	100-120V EXCEPT EUROPE	R72-3034-000	JGR00001-
	220-240V EUROPE	R72-3028-000	KGY00001-
	220-240V EXCEPT EUROPE	R72-3028-001	KHA00001-
	220-240V GERMANY	R72-3028-003	KHC00001-
	220-240V FRANCE	R72-3028-004	KHD00001-
	220-240V CHINESE	R72-3028-005	KJB00001-
LBP-465	100-120V CCSI	R72-3084-000	JHE00001-
	100-120V EXCEPT EUROPE	R72-3084-000	JHF00001-
	220-240V EUROPE	R72-3088-000	KHS00001-
	220-240V EXCEPT EUROPE	R72-3088-001	KHT00001-
	220-240V UK	R72-3088-002	KHX00001-
	220-240V GERMANY	R72-3088-003	KHY00001-
	220-240V FRANCE	R72-3088-004	KJA00001-

CONTENTS

A. ASSEMBLY LOCATION DIAGRAM

001. FLOPPY DISK UNIT

100. EXTERNAL COVERS, PANELS, ETC.

101. INTERNAL COMPONENTS 1

102. INTERNAL COMPONENTS 2

103. INTERNAL COMPONENTS 3

110. ELECTRICAL COMPONENTS ASS'Y

260. PAPER PICK-UP ROLLER ASS'Y

310. PAPER PICK-UP ASS'Y

320. TRANSFER BLOCK ASS'Y

330. FEEDER ASS'Y

340. SEPARATION GUIDE ASS'Y

350. DELIVERY ASS'Y

900. PCB ASS'Y LOCATION DIAGRAM

B. NUMERICAL INDEX

www.drukparts.pl

HOW TO USE PARTS LISTS

Assembly Location Diagrams. These diagrams show the locations of major assemblies of the machine. Their names are identified in rectangular boxes. Below each box is the number of the Figure which shows an exploded view of the assembly.

Finding a Parts Number. Refer to the Assembly Location Diagrams and find the Figure Number of the assembly of interest. Turn to the page(s), locate the part on the exploded view, and find its Key Number. Refer to the Parts List on the page facing the exploded view and find the Key Number, Part Number and quantity required for your type of machine.

Note : While looking for a Part Number, pay particular attention to the voltage listed in the SERIAL NUMBER/REMARKS column to ensure that the Part Number selected is for your type of machine. Immediate shipping or action regarding the part depends on using its correct Part Number.

Parts List pages. The Parts List pages contain the following columns and information.

(1) Figure and Key Number column. The first column shows the Figure Number of the illustration corresponding to the Parts List, and the Key Number that identifies the part on the illustration.

(2) Part Number. The second column shows the Part Number for the part. This Number must be used when ordering replacement parts or assemblies described in the description column do not have a Part Number and are not stocked.

Note : The last three digits (suffix) of the Parts Number are called the Revision Number. The Revision Number is changed if the part is modified. Information regarding such changes will be provided by Service Information Bulletins. These Bulletins should be read carefully.

(3) Rank N. Parts marked "N" are service parts, but are not stock items. They are produced on a special-order basis.

(4) Quantity column. The quantity shown in this column is the number of parts used in the Figure. However, the quantity listed for an assembly indicates the number of that assembly per machine. The letters in this column indicate that the quantity of a parts is not specified, allowing the use of the number of parts needed for assembly and that the quantity cannot be mentioned clearly.

(5) Description column. The Description column lists the description that should be used when ordering the part.

(6) Serial Number/Remarks. When there are differences in the specifications of power supply voltage, frequency, etc., the differences are described in words or indicated by one two or three letters in front of the serial number.

(Example)

Serial number ABC00001

└ This is the descriptive indicator.

If a model modified and a part is no longer interchangeable, the serial number of machines for which the part can be used is shown in this column. If there is no indication the part can be used with all models.

Numerical Index. There is a Numerical Index at the end of this catalog; it lists in numerical order every Part Number contained in the Parts Lists. The Numerical Index contains the following columns and information.

(1) Part Number. The first column shows the Part Number.

(2) Figure and Key Number column. The second column lists the Figure and Key Number for each occurrence of the part in the illustrations.

FIGURE A ASSEMBLY LOCATION DIAGRAM

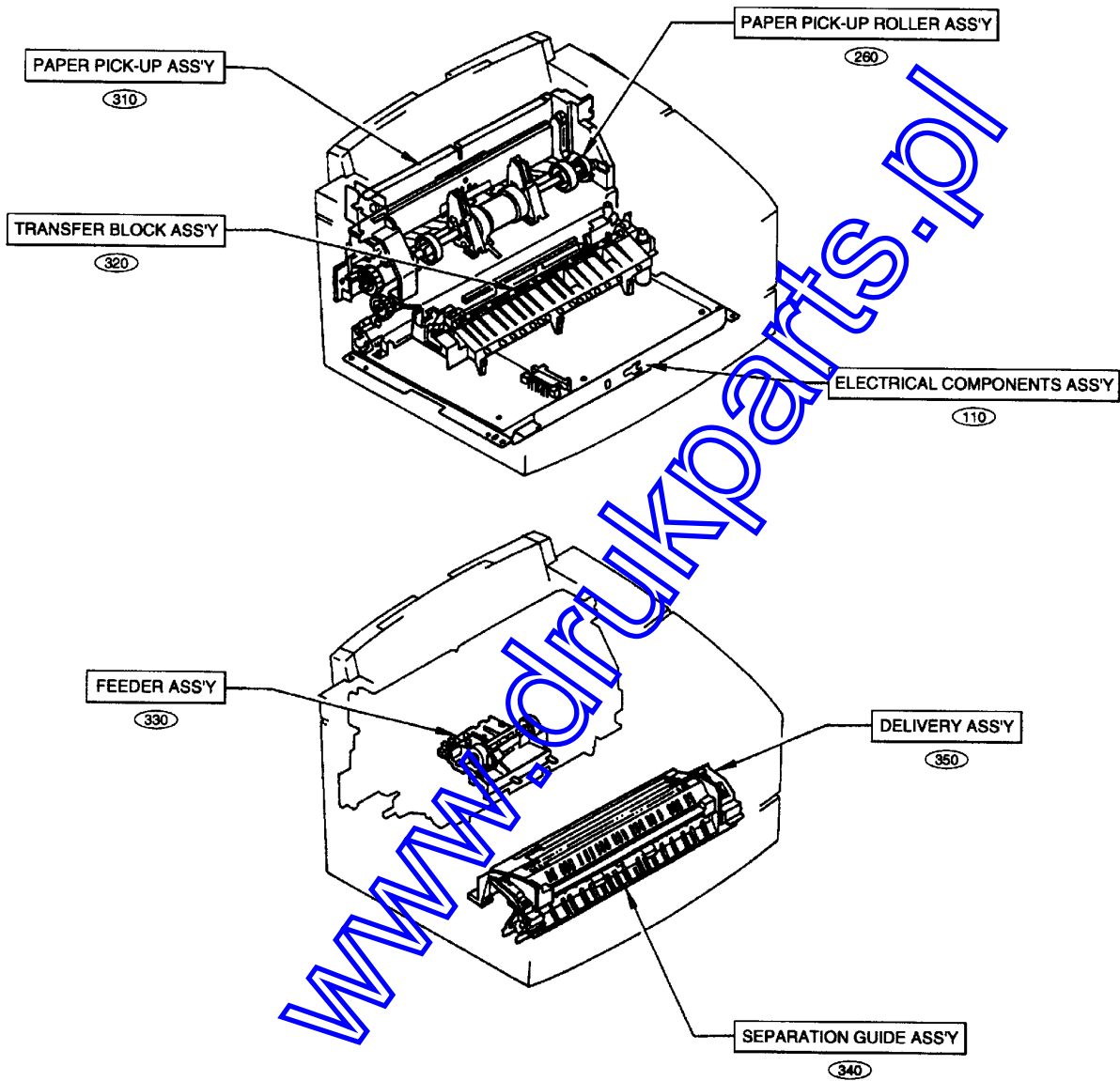
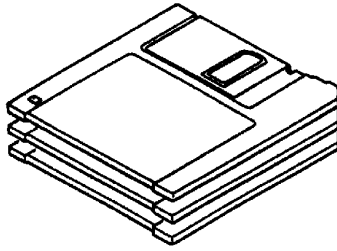


FIGURE 001 FLOPPY DISK UNIT



www.crukparts.pl

FIGURE & KEY NO.	PART NUMBER	RANK	QTY	DESCRIPTION	SERIAL NUMBER / REMARKS
001 -	RG1-3608-020		1	FLOPPY DISK UNIT	LBP-460, ENGLISH A4
	RG1-3611-020		1	FLOPPY DISK UNIT	LBP-460, ENGLISH LETTER
	RG1-3609-020		1	FLOPPY DISK UNIT	LBP-460, FRENCH
	RG1-3610-020		1	FLOPPY DISK UNIT	LBP-460, GERMAN
	RG1-3702-000		1	FLOPPY DISK UNIT	LBP-460, CHINESE
	RG1-3690-000		1	FLOPPY DISK UNIT	LBP-465, ENGLISH A4
	RG1-3701-000		1	FLOPPY DISK UNIT	LBP-465, ENGLISH LETTER
	RG1-3691-000		1	FLOPPY DISK UNIT	LBP-465, FRENCH
	RG1-3692-000		1	FLOPPY DISK UNIT	LBP-465, GERMAN

FIGURE 100 EXTERNAL COVERS, PANELS, ETC.

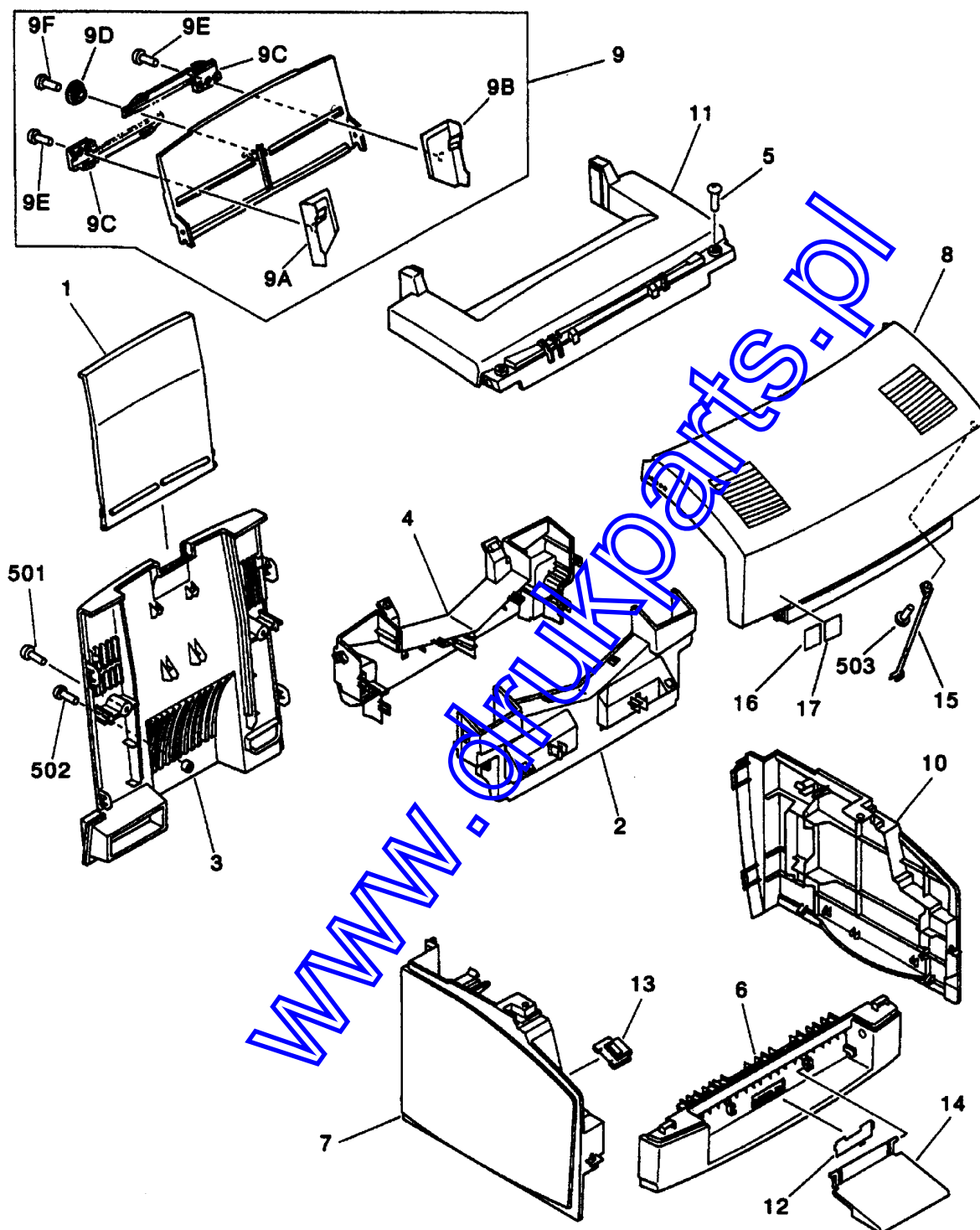


FIGURE & KEY NO.	PART NUMBER	RANK	QTY	DESCRIPTION	SERIAL NUMBER / REMARKS
100 -	NPN		RF	EXTERNAL COVERS, PANELS, ETC.	
1	RB1-8158-000		1	TRAY, FEED, SUB, D	
2	RB1-8150-000		1	DUCT, 1	
3	RB1-8159-030		1	COVER, REAR, D	
4	RB1-8151-000		1	DUCT, 2	
5	XA9-0724-000		AR	SCREW, M3X8	
6	RB1-8162-020		1	COVER, FRONT	
7	RB1-8163-000		1	COVER, LEFT	
8	RB1-8160-030		1	DOOR, CARTRIDGE	LBP-460, CCSI
	RB1-8165-030		1	DOOR, CARTRIDGE	LBP-460, EXCEPT CCSI
	RB1-9299-000		1	DOOR, CARTRIDGE	LBP-465, CCSI
	RB1-9300-000		1	DOOR, CARTRIDGE	LBP-465, EXCEPT CCSI
9	RG5-2324-050		1	MULTI FEED TRAY ASS'Y	
9A	RB1-8155-000		1	GUIDE, SLIDE, LEFT	
9B	RB1-8156-000		1	GUIDE, SLIDE, RIGHT	
9C	RB2-1705-000		2	RACK	
9D	RB9-0265-000		1	GEAR, 16T	
9E	FA9-2597-000		2	SCREW	
9F	XB4-7300-607		1	SCREW, TAPPING, TRUSS HEAD, M3X6	
10	RB1-8164-030		1	COVER, RIGHT	
11	RB1-8161-000		1	COVER, UPPER	
12	RB1-8169-000		1	CAP, EC	
13	RB1-8171-000		1	COVER, LEVER	
14	RB1-8174-000		1	GUIDE, PAPER DELIVERY	
15	RB1-8176-000		1	STOPPER, DRG	
16	RS5-8708-000		1	LABEL, "WINDOWS"	
17	RS5-8747-000		1	LABEL, "WINDOWS 95"	LBP-465
501	XB4-7401-007		AR	SCREW, TAPPING, PAN HEAD, M4X10	
502	XB6-7300-807		2	SCREW, TP, M3X8	
503	XB4-7300-607		1	SCREW, TAPPING, TRUSS HEAD, M3X6	

FIGURE 101 INTERNAL COMPONENTS 1

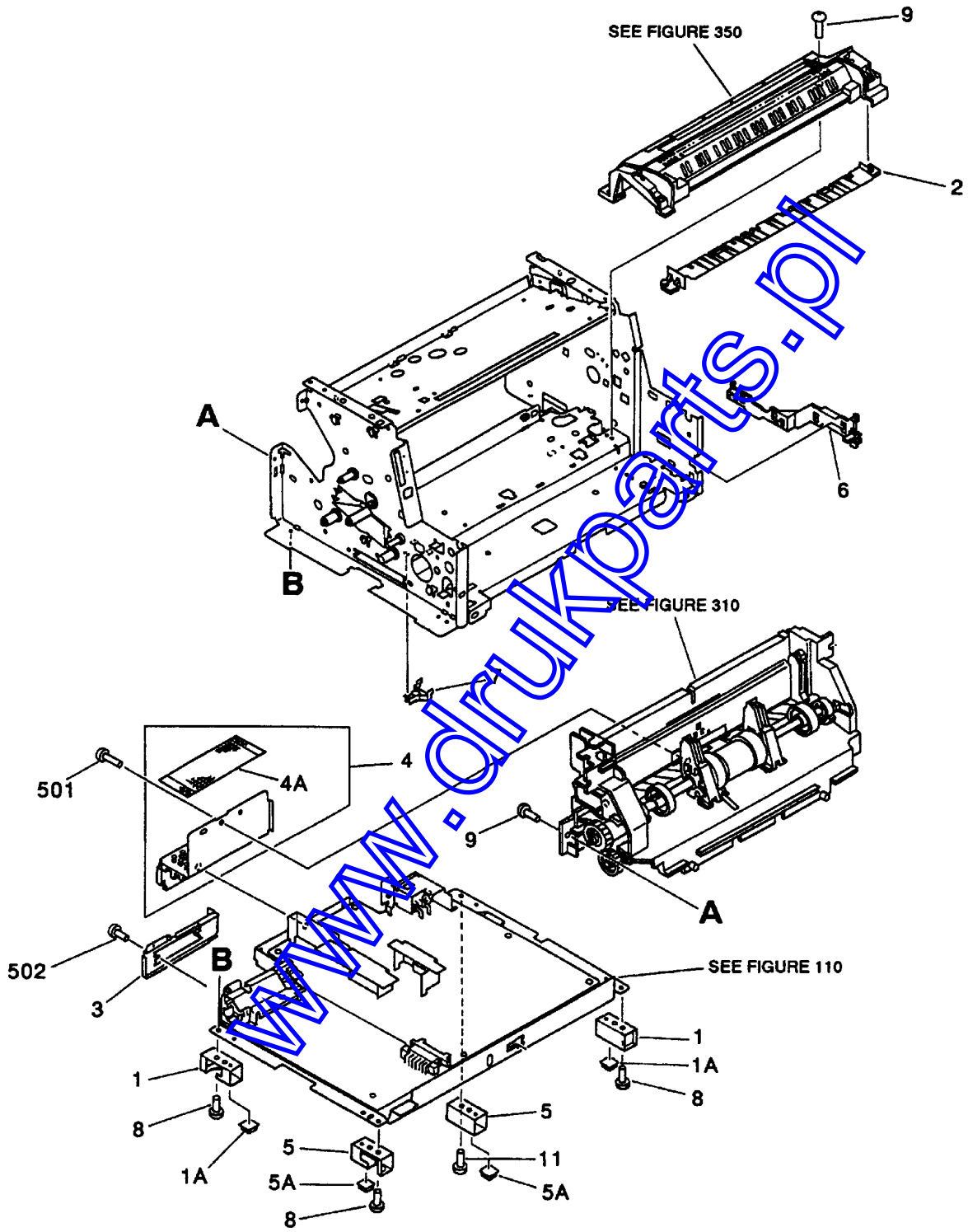


FIGURE & KEY NO.	PART NUMBER	RANK	QTY	DESCRIPTION	SERIAL NUMBER / REMARKS
101 -	NPN		RF	INTERNAL COMPONENTS 1	
1	RF5-1707-000		2	LEG, 1	
1A	RB1-7307-000		1	FOOT	
2	RB1-7247-000		1	GUIDE, PAPER	
3	RB1-7305-000		1	PLATE, FRAME	
4	RF5-1509-000		1	PLATE, REINFORCEMENT, CASE	
4A	RB1-7345-000		1	NET	
5	RF5-1708-000		2	LEG, 2	
5A	RB1-7307-000		1	FOOT	
6	RB1-7130-020		1	GUIDE, CABLE	
7	RB1-7234-000		1	CAP	
8	XA9-0686-000		4	SCREW, RS, M3X6	
9	XA9-0724-000		4	SCREW, M3X8	
11	XA9-0813-000		1	SCREW,RS,M3X8	
501	XB4-7401-007		3	SCREW,TAPPING,PAN HEAD,M4X10	
502	XB1-1300-807		2	SCREW,MACH.,PAN HEAD,M3X8	

FIGURE 102 INTERNAL COMPONENTS 2

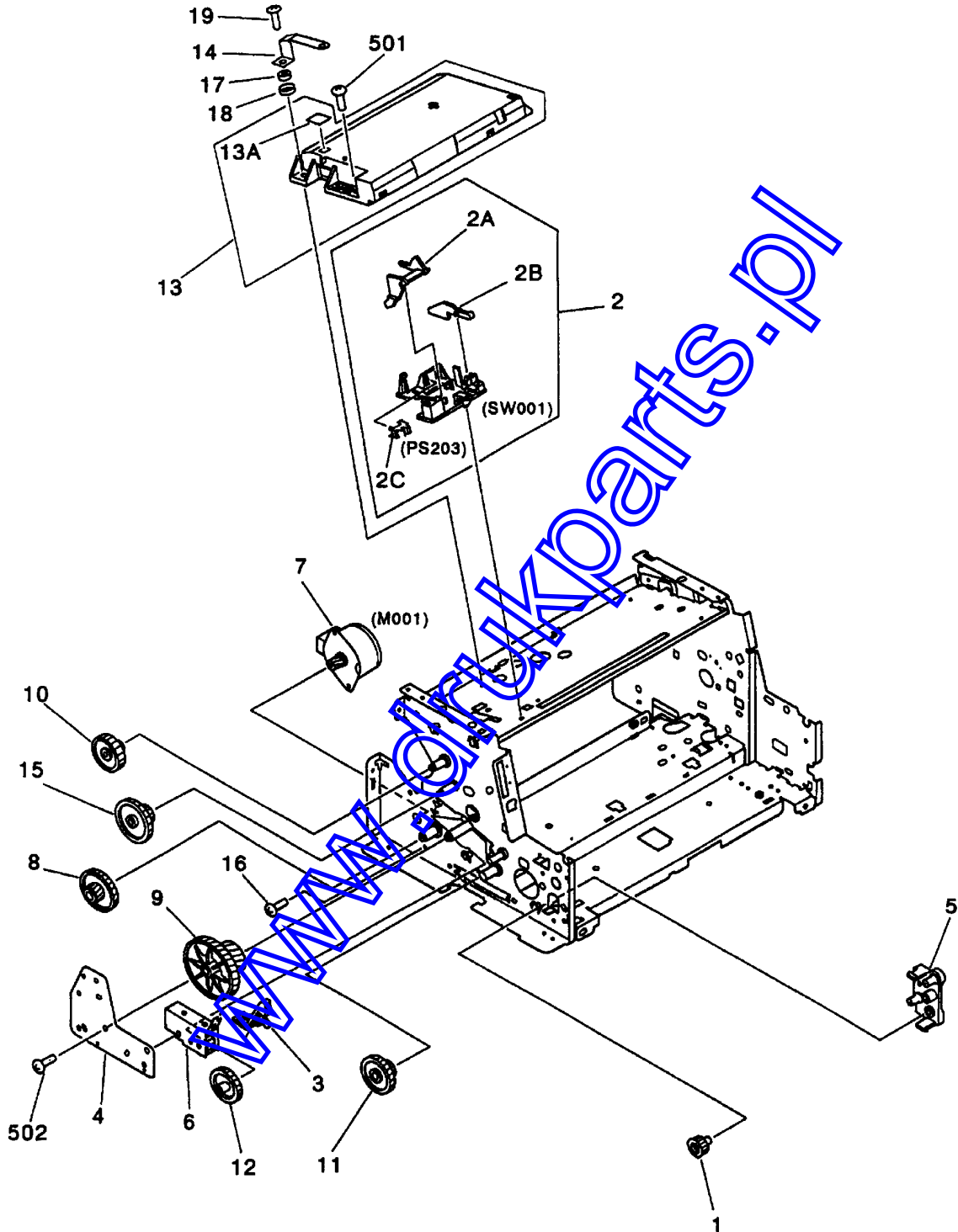


FIGURE & KEY NO.	PART NUMBER	RANK	QTY	DESCRIPTION	SERIAL NUMBER / REMARKS
102 -	NPN		RF	INTERNAL COMPONENTS 2	
1	RS5-0798-000		1	GEAR, 15T	
2	RG5-1984-000		1	SENSOR LEVER ASS'Y	SW001, PS203
2A	RB1-7168-000		1	LEVER, DOOR SENSOR	
2B	RB1-7169-000		1	LEVER, CARTRIDGE	
2C	WG8-5210-000		1	IC, TLP1240, PHOTO-INTERRUPTER	PS203
3	RB1-8170-000		1	LEVER, RELEASE, D	
4	RB1-7106-000		1	PLATE, GEAR SUPPORT	
5	RB1-7107-000		1	HOLDER, GEAR	
6	RF5-1513-000		1	ARM, SWING	
7	RH7-1282-000		1	MOTOR, MAIN	M001
8	RS5-0787-000		1	GEAR, 21T/91T	
9	RS5-0788-000		1	GEAR, 32T/93T	
10	RS5-0789-000		1	GEAR, 37T	
11	RS5-0790-000		1	GEAR, 54T/19T	
12	RS5-0791-000		1	GEAR, 36T	
13	RG5-2004-000		1	SCANNER ASS'Y	
13A	RB1-7384-000		1	SHEET, DUST COVER	
14	RB2-1714-000		1	SPRING, GROUNDING	
15	RS5-0799-000		1	GEAR, 51T/17T	
16	XA9-0267-000		2	SCREW, TP, M3X6	
17	WE8-5192-000		1	CORE, FERRITE RING	
18	RB9-0227-000		1	SPACER	
19	XA9-0382-000		1	SCREW, TP, M3X12	
501	XB6-7300-807		3	SCREW, TP, M3X8	
502	XB6-7300-607		4	SCREW, TP, M3X6	

FIGURE 103 INTERNAL COMPONENTS 3

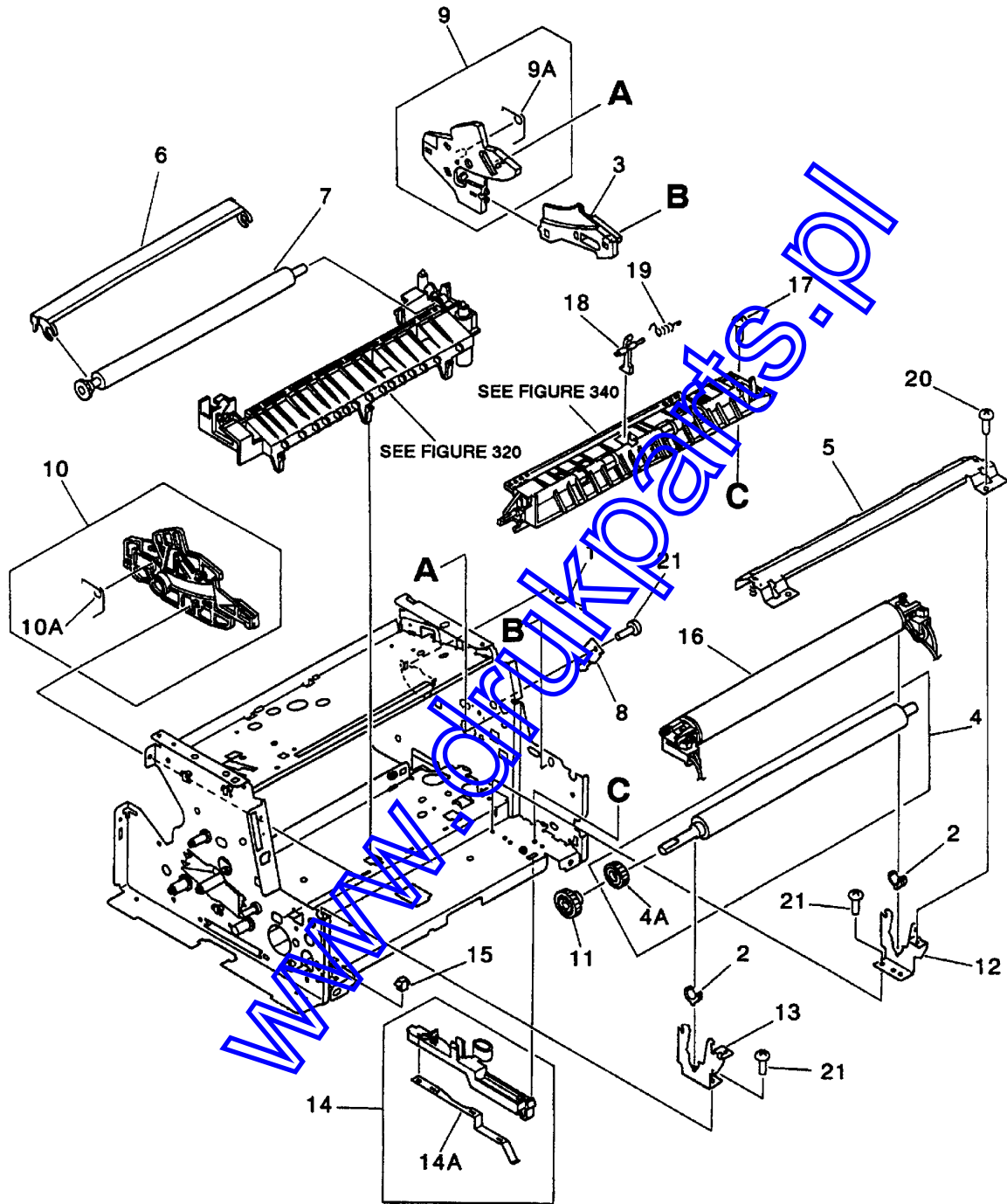


FIGURE & KEY NO.	PART NUMBER	RANK	QTY	DESCRIPTION	SERIAL NUMBER / REMARKS
103 -	NPN		RF	INTERNAL COMPONENTS 3	
1	RB1-7223-000		1	SPRING, GROUNDING	
2	RB1-7246-000		2	BUSHING	
3	RB1-7341-030		1	GUIDE, SUB, CARTRIDGE, RIGHT	
4	RF5-1516-000		1	ROLLER, PRESSURE	
4A	RB1-7244-000		1	RUBBER, CONTINUITY	
5	RF5-1517-020		1	PLATE, PRESSURE	
6	RF5-1530-030		1	GUIDE, TRANSFER	
7	RF5-1534-000		1	ROLLER, TRANSFER	
8	RB1-7129-000		1	SPRING, GROUNDING	
9	RF5-1515-020		1	GUIDE, CARTRIDGE	
9A	RS5-2506-000		1	SPRING, TORSION	
10	RF5-1514-020		1	GUIDE, CARTRIDGE, LEFT	
10A	RS5-2506-000		1	SPRING, TORSION	
11	RS5-0796-000		1	GEAR, 27T	
12	RB1-7256-000		1	SIDE PLATE, RIGHT	
13	RB1-7255-000		1	SIDE PLATE, LEFT	
14	RF5-1533-000		1	PLATE, CONTINUITY	
14A	RB1-7238-000		1	SPRING, LEAF	
15	VS1-5057-002		1	CONNECTOR, 2P	
16	RG5-1964-020		1	FIXING ASS'Y	100-120V
	RG5-1965-020		1	FIXING ASS'Y	220-240V
17	XA9-0824-000		1	SCREW, PS, M3X10	
18	RB1-7293-030		1	LEVER, SENSOR	
19	RB1-7294-000		1	SPRING, TORSION	
20	XA9-0724-000		2	SCREW, M3X8	
21	XA9-0686-000		14	SCREW, RS, M3X6	

FIGURE 110 ELECTRICAL COMPONENTS ASS'Y

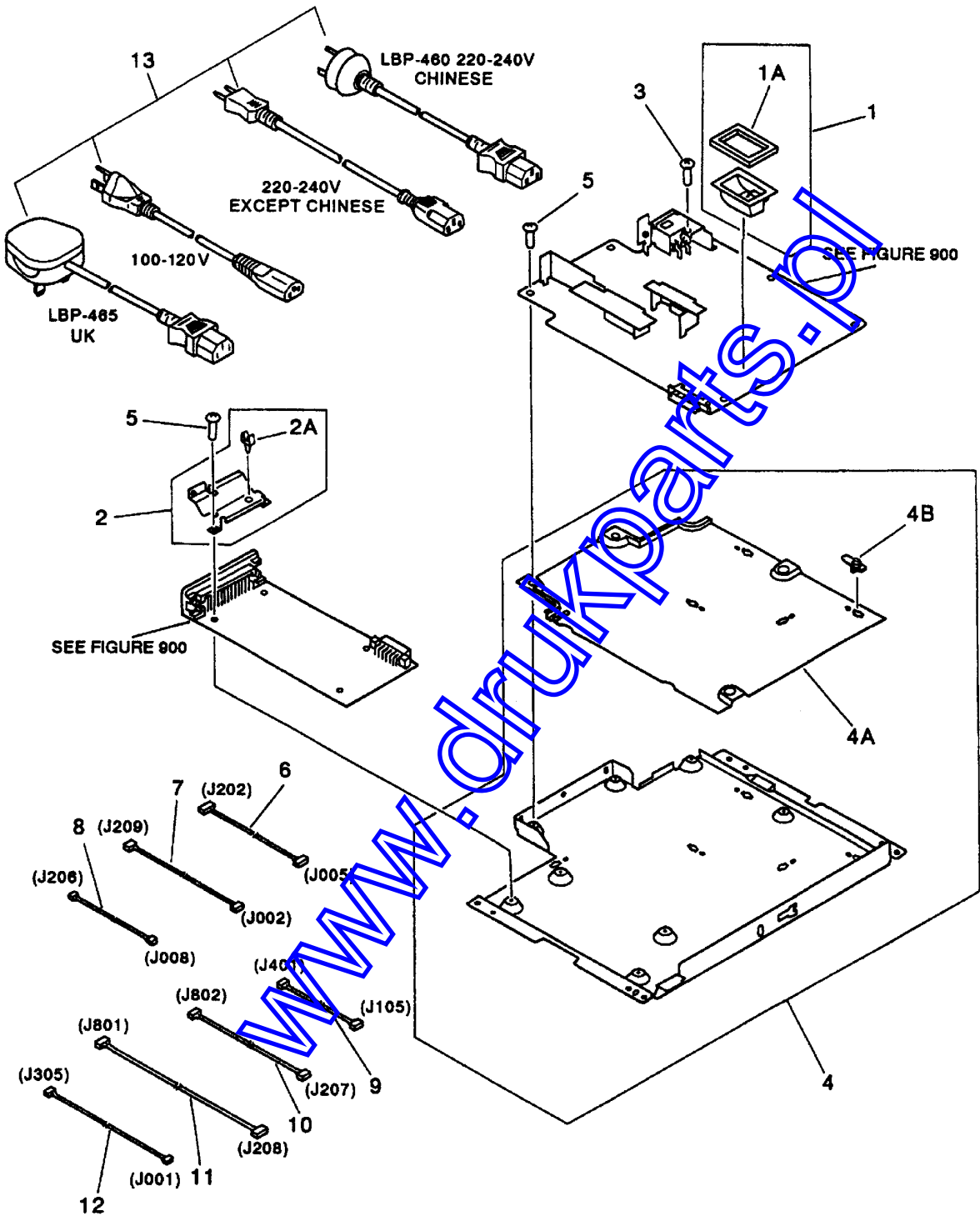


FIGURE & KEY NO.	PART NUMBER	RANK	QTY	DESCRIPTION	SERIAL NUMBER / REMARKS
110 -	NPN		RF	ELECTRICAL COMPONENTS ASS'Y	
1	RF5-1524-000		1	COVER, WATERPROOF	
1A	RB1-7270-000		1	CUSHION	
2	RG5-2337-000		1	CLIP ASS'Y	
2A	WT2-0262-000		1	CLIP, CABLE	
3	XA9-0828-000		1	SCREW, W/STAR WASHER, M3X4	
4	RG5-2335-000		1	PRINTER CONTROLLER CASE ASS'Y	
4A	RB1-7297-000		1	SHEET, INSULATING	
4B	RB1-7303-000		5	SPACER, PCB	
5	XA9-0890-000		8	SCREW, W/WASHER, M3X6	
6	RG5-2029-000		1	CABLE, PAPER PICK-UP	J005, J202
7	RG5-2031-000		1	CABLE, DOOR SENSOR	J002, J209
8	RG5-2032-000		1	CABLE, THERMISTOR	J008, J206
9	RG5-2033-000		1	CABLE, MOTOR	J105, J401
10	RG5-2034-000		1	CABLE, SCANNER	J207, J802
11	RG5-2035-000		1	CABLE, LASER	J208, J801
12	RG5-2037-000		1	CABLE, DOOR SWITCH	J001, J305
13	RH2-5116-000		1	POWER CORD	220-240V EXCEPT CHINESE
	RH2-5127-000		1	CORD, POWER	100-120V
	RH2-5230-000		1	CORD, POWER	LBP-465, UK
	RH2-5344-000		1	CORD, POWER	LBP-460, 220-240V CHINESE

FIGURE 260 PAPER PICK-UP ROLLER ASS'Y

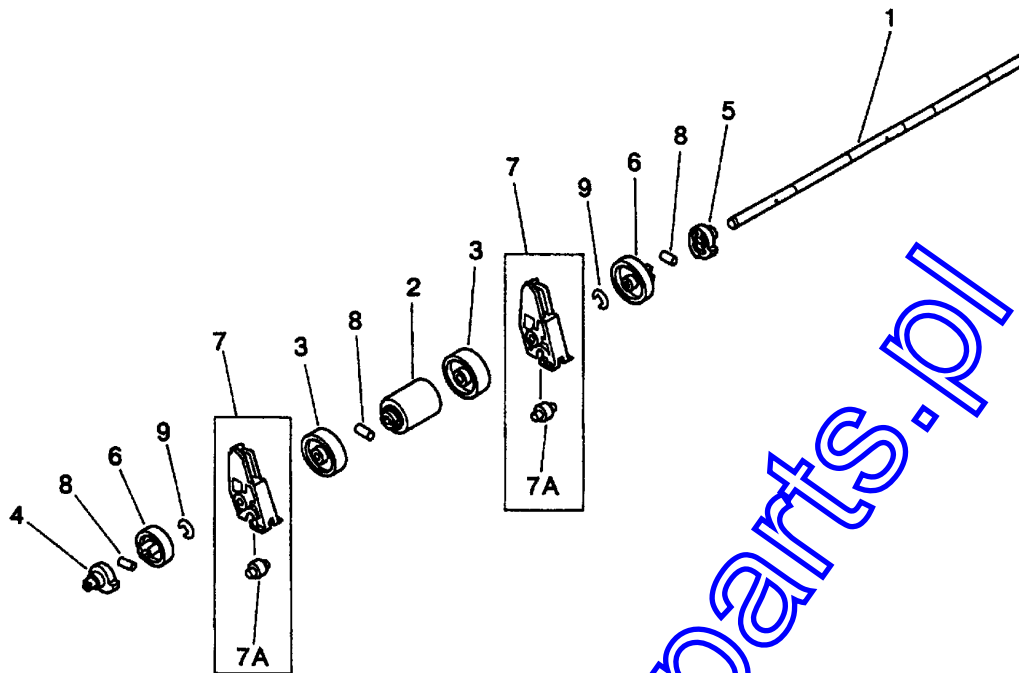


FIGURE & KEY NO.	PART NUMBER	RANK	QTY	DESCRIPTION	SERIAL NUMBER / REMARKS
260 -	RG5-1951-030		1	PAPER PICK-UP ROLLER ASS'Y	
1	RB1-7190-000		1	SHAFT, PAPER PICK-UP	
2	RB2-1634-000		1	ROLLER, PAPER PICK-UP	
3	RB2-1633-000		2	ROLLER, SUB	
4	RB1-7193-000		1	CAM, LEFT	
5	RB1-7194-000		1	CAM, RIGHT	
6	RB1-7198-000		2	ROLLER, SUB	
7	RG5-3487-000		2	FEED ROLLER ASS'Y	
7A	RB2-1701-000		1	ROLLER, FEED	
8	XD9-0159-000		3	PIN, DOWEL	
9	XD9-0131-000		2	RING, E	

FIGURE 310 PAPER PICK-UP ASS'Y

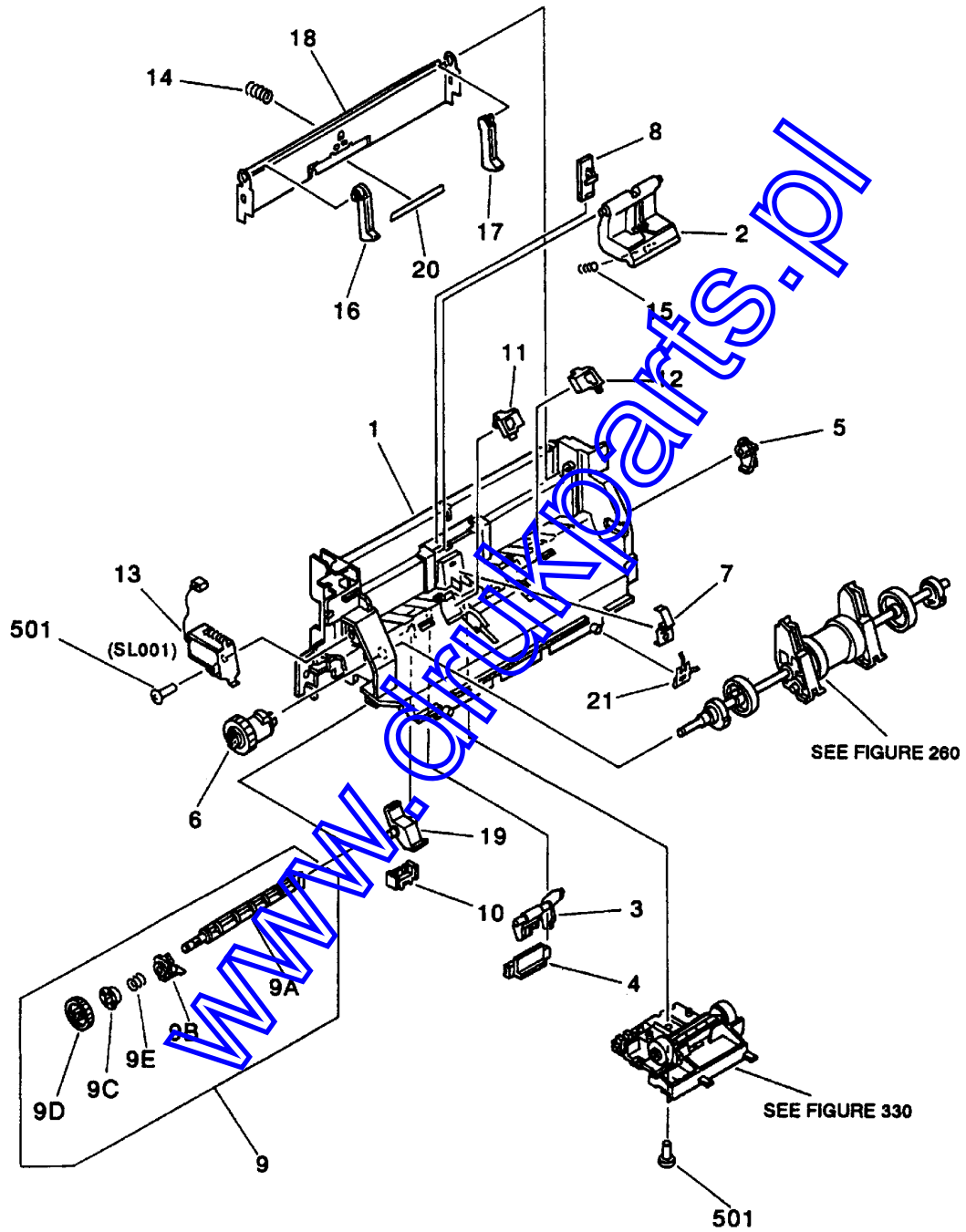


FIGURE & KEY NO.	PART NUMBER	RANK	QTY	DESCRIPTION	SERIAL NUMBER / REMARKS
310 -	RG5-1950-060		1	PAPER PICK-UP ASS'Y	
1	RB1-7177-000	N	1	FRAME, PAPER FEED	
2	RB1-7181-000		1	ARM, SEPARATION	
3	RB1-7182-000		1	LEVER, SENSOR	
4	RB1-7183-000		1	HOLDER, LEVER	
5	RB1-7184-000		1	BUSHING	
6	RB1-7197-020		1	CLUTCH	
7	RB1-7199-000		1	SPRING, GROUNDING	
8	RB1-7206-000		1	HOLDER, ARM	
9	RG5-1947-000		1	FEEDER DRIVE ASS'Y	
9A	RB1-7221-000		1	SHAFT, DRIVE	
9B	RB1-7222-000		1	BUSHING	
9C	RB1-7224-000		1	RATCHET	
9D	RS5-0786-000		1	GEAR, 24T	
9E	RS5-2510-000		1	SPRING, COMPRESSION	
10	RB1-7220-000		2	HOLDER, STOPPER	
11	RF5-1492-000		1	PAD, LEFT	
12	RF5-1493-000		1	PAD, RIGHT	
13	RH7-5139-030		1	SOLENOID	SL001
14	RS5-2501-000		1	SPRING, COMPRESSION	
15	RS5-2502-000		1	SPRING, COMPRESSION	
16	RB1-7185-000		1	ARM, PLATE, LEFT	
17	RB1-7186-000		1	ARM, PLATE, RIGHT	
18	RF5-2372-000		1	PLATE, MIDDLE	
19	RB1-7219-000		2	STOPPER	
20	RB2-1706-000		1	SHEET, SEPARATION	
21	RB1-7172-000		1	SPRING, GROUNDING	
501	XB4-7401-007		2	SCREW, TAPPING, PAN HEAD, M4X10	

FIGURE 320 TRANSFER BLOCK ASS'Y

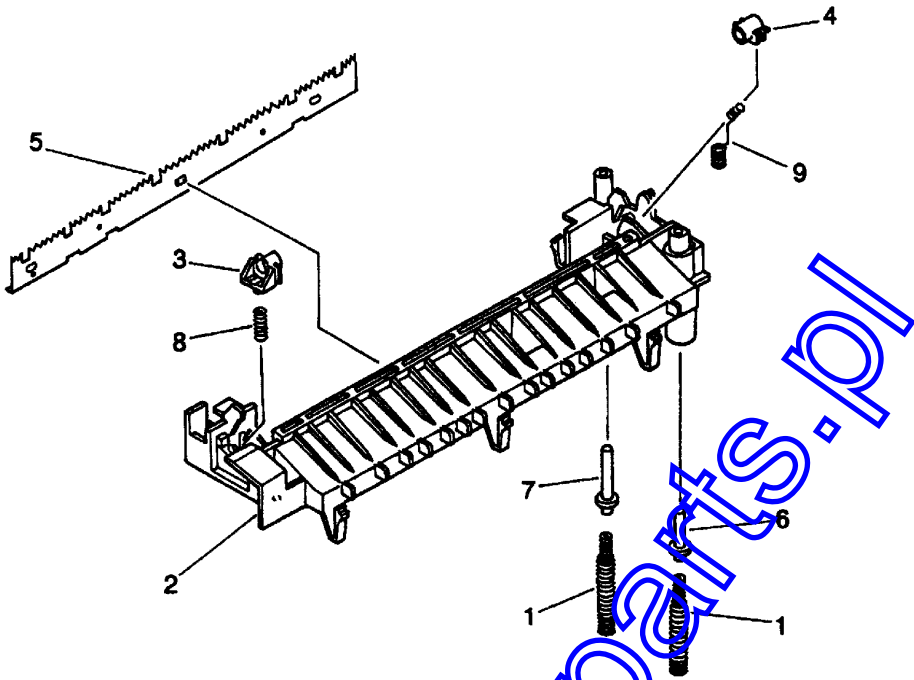


FIGURE & KEY NO.	PART NUMBER	RANK	QTY	DESCRIPTION	SERIAL NUMBER / REMARKS
320 -	RG5-1961-040		1	TRANSFER BLOCK ASS'Y	
1	RS5-2512-000		2	SPRING, COMPRESSION	
2	RB1-7228-000		1	BLOCK, TRANSFER	
3	RB1-7231-000		1	BUSHING	
4	RB1-7232-000		1	BUSHING	
5	RB1-7233-000		1	ELIMINATOR, STATIC CHARGE	
6	RB1-7236-000		1	PIN, CONTACT	
7	RB1-7237-000		1	PIN, CONTACT	
8	RS5-2504-000		1	SPRING, COMPRESSION	
9	RS5-2505-000		1	SPRING, COMPRESSION	

FIGURE 330 FEEDER ASS'Y

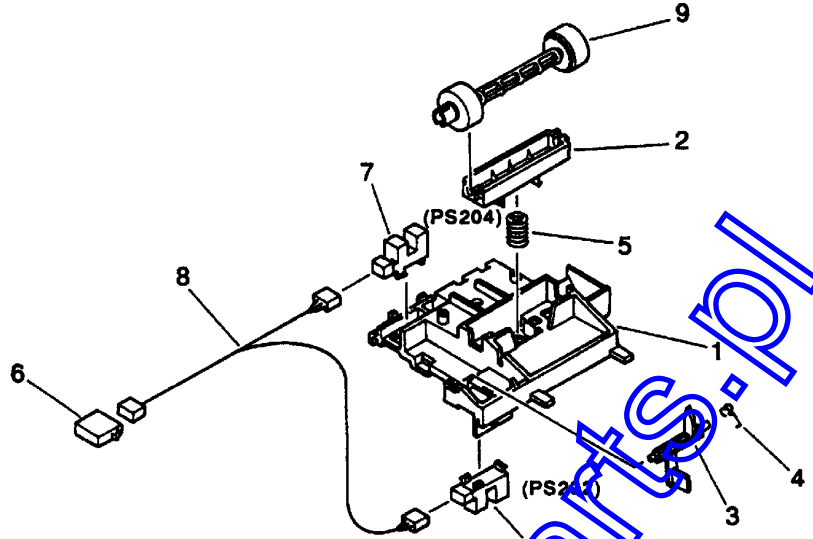


FIGURE & KEY NO.	PART NUMBER	RANK	QTY	DESCRIPTION	SERIAL NUMBER / REMARKS
330 -	RG5-1942-030		1	FEEDER ASS'Y	
1	RB1-7200-030		1	HOLDER	
2	RB1-7203-000		1	ARM, PRESSURE	
3	RB1-7204-000		1	LEVER, REGISTRATION SENSOR	
4	RB1-7205-000		1	SPRING, TORSION	
5	RS5-2503-000		1	SPRING, COMPRESSION	
6	VS1-5057-006		1	CONNECTOR, 6P	
7	WG8-5210-000		1	IC, TLP1240, PHOTO-INTERRUPTER	PS202, PS204
8	RG5-2030-000		1	PICK-UP SENSOR CABLE 2	
9	RB1-7226-000		1	ROLLER	

FIGURE 340 SEPARATION GUIDE ASS'Y

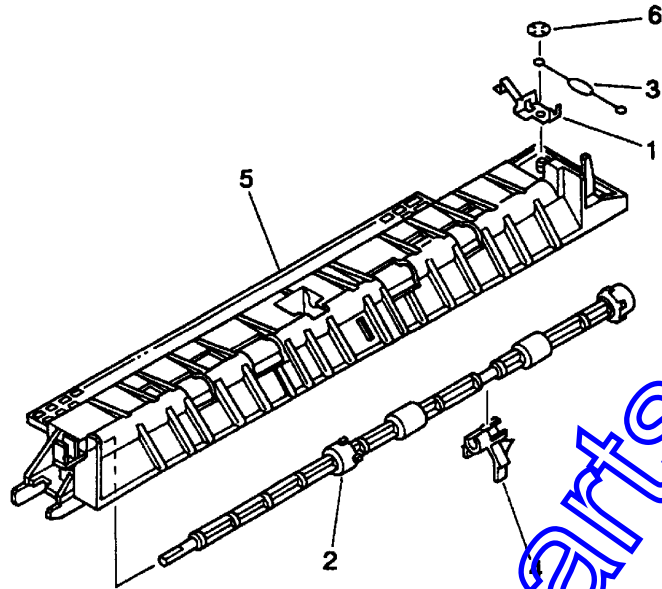


FIGURE & KEY NO.	PART NUMBER	RANK	QTY	DESCRIPTION	SERIAL NUMBER / REMARKS
340 -	RG5-2322-070		1	SEPARATION GUIDE ASS'Y	
1	RB1-7254-000		1	SPRING LEAF	
2	RF5-1706-000		1	ROLLER / ROLLER UP	
3	RH6-3435-000		1	RESISTOR, 100 OHM, 1/2W	
4	RB1-8167-000		1	BUSHING, D	
5	RB1-8166-030		1	GUIDE SEPARATION, D	
6	XA9-0134-000		1	NUT, FLUSH	

FIGURE 350 DELIVERY ASS'Y

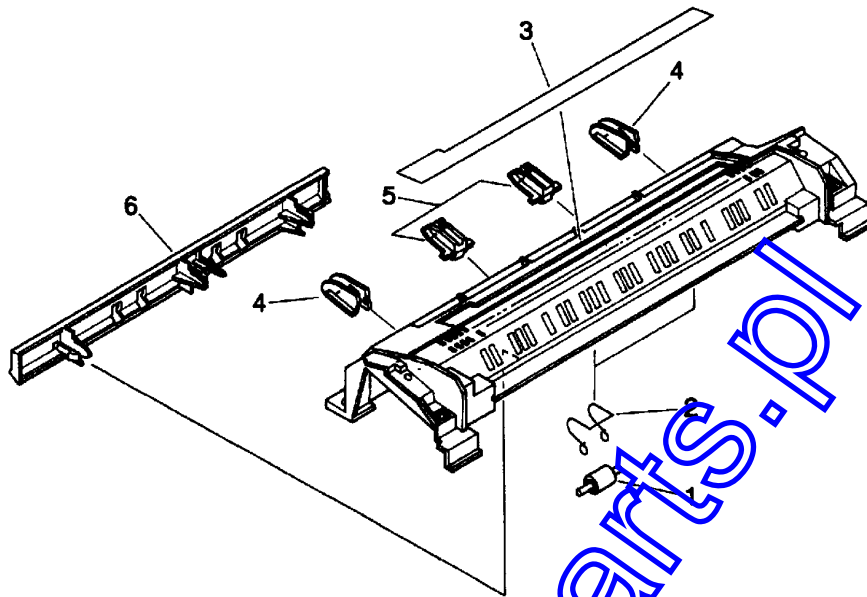
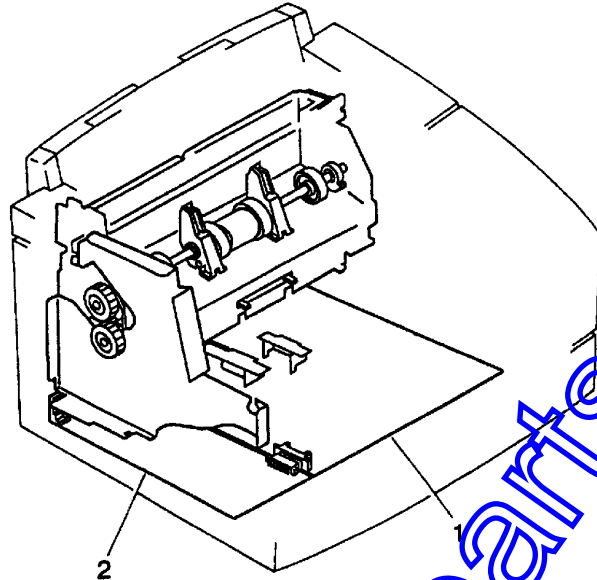


FIGURE & KEY NO.	PART NUMBER	RANK	QTY	DESCRIPTION	SERIAL NUMBER / REMARKS
350 -	RG5-2326-080		1	DELIVERY ASS'Y	
1	RB1-7285-020		2	ROLLER FACE UP	
2	RB1-7287-000		2	SPRING WIPE	
3	RS5-8543-020		1	LABEL, "WARNING HIGH TEMP"	
4	RG5-2015-000		2	SPUR ASS'Y	
5	RG5-2014-000		2	SPUR ASS'Y	
6	RB1-8181-000		1	FLAP PROTECTOR	

FIGURE 900 PCB ASS'Y LOCATION DIAGRAM



www.monokparts.pl

FIGURE & KEY NO.	PART NUMBER	RANK	QTY	DESCRIPTION	SERIAL NUMBER / REMARKS
900 -	NPN		RF	PCB ASS'Y LOCATION DIAGRAM	
1	RG9-1255-000		1	PRINTER CONTROLLER PCB ASS'Y	100-120V
	RG9-1256-000		1	PRINTER CONTROLLER PCB ASS'Y	220-240V
2	RG5-2340-000		1	VIDEO CONTROLLER PCB ASS'Y	LBP-460, 100-120V
	RG5-2341-030		1	VIDEO CONTROLLER PCB ASS'Y	LBP-460, 220-240V
	RG5-2899-000		1	VIDEO CONTROLLER PCB ASS'Y	LBP-465, 100-120V
	RG5-2901-000		1	VIDEO CONTROLLER PCB ASS'Y	LBP-465, 220-240V

B NUMERICAL INDEX

PART NUMBER	FIGURE & KEY NO.	PART NUMBER	FIGURE & KEY NO.	PART NUMBER	FIGURE & KEY NO.
FA9-2597-000	100 - 9E	RB2-1705-000	100 - 9C	RS5-2512-000	320 - 1
RB1-7106-000	102 - 4	RB2-1706-000	310 - 20	RS5-8543-020	350 - 3
RB1-7107-000	102 - 5	RB2-1714-000	102 - 14	RS5-8708-000	100 - 16
RB1-7129-000	103 - 8	RB5-0265-000	100 - 9D	RS5-8747-000	100 - 17
RB1-7130-020	101 - 6	RB9-0227-000	102 - 18	VS1-5057-002	103 - 15
RB1-7168-000	102 - 2A	RF5-1492-000	310 - 11	VS1-5057-006	330 - 6
RB1-7169-000	102 - 2B	RF5-1493-000	310 - 12	WE8-5192-000	102 - 17
RB1-7172-000	310 - 21	RF5-1509-000	101 - 4	WG8-5210-000	102 - 2C
RB1-7177-000	310 - 1	RF5-1513-000	102 - 6		330 - 7
RB1-7181-000	310 - 2	RF5-1514-020	103 - 10	WT2-0262-000	110 - 2A
RB1-7182-000	310 - 3	RF5-1515-020	103 - 9	XA9-0134-000	340 - 6
RB1-7183-000	310 - 4	RF5-1516-000	103 - 4	XA9-0267-000	102 - 16
RB1-7184-000	310 - 5	RF5-1517-020	103 - 5	XA9-0382-000	102 - 19
RB1-7185-000	310 - 16	RF5-1524-000	110 - 1	XA9-0686-000	101 - 8
RB1-7186-000	310 - 17	RF5-1530-030	103 - 6		103 - 21
RB1-7190-000	260 - 1	RF5-1533-000	103 - 14	XA9-0724-000	100 - 5
RB1-7193-000	260 - 4	RF5-1534-000	103 - 7		101 - 9
RB1-7194-000	260 - 5	RF5-1706-000	340 - 2		103 - 20
RB1-7197-020	310 - 6	RF5-1707-000	101 - 1	XA9-0813-000	101 - 11
RB1-7198-000	260 - 6	RF5-1708-000	101 - 5	XA9-0821-000	103 - 17
RB1-7199-000	310 - 7	RF5-2372-000	310 - 18	XA9-0828-000	110 - 3
RB1-7200-030	330 - 1	RG1-3608-020	001 -	XA9-0890-000	110 - 5
RB1-7203-000	330 - 2	RG1-3609-020	001 -	XB1-1300-807	101 - 502
RB1-7204-000	330 - 3	RG1-3610-020	001 -	YB4-7200-807	100 - 9F
RB1-7205-000	330 - 4	RG1-3611-020	001 -		100 - 503
RB1-7206-000	310 - 8	RG1-3690-000	001 -	YB4-7401-007	100 - 501
RB1-7219-000	310 - 19	RG1-3691-000	001 -		101 - 501
RB1-7220-000	310 - 10	RG1-3692-000	001 -		310 - 501
RB1-7221-000	310 - 9A	RG1-3701-000	001 -	YB6-7300-607	102 - 502
RB1-7222-000	310 - 9B	RG1-3702-000	001 -	YB6-7300-807	100 - 502
RB1-7223-000	103 - 1	RG5-1942-030	330 -		102 - 501
RB1-7224-000	310 - 9C	RG5-1947-000	310 - 9	XD9-0131-000	260 - 9
RB1-7226-000	330 - 9	RG5-1950-060	310 -	XD9-0159-000	260 - 8
RB1-7228-000	320 - 2	RG5-1951-030	260 -		
RB1-7231-000	320 - 3	RG5-1961-040	320 -		
RB1-7232-000	320 - 4	RG5-1964-020	100 - 16		
RB1-7233-000	320 - 5	RG5-1965-020	100 - 15		
RB1-7234-000	101 - 7	RG5-1984-000	110 - 13		
RB1-7236-000	320 - 6	RG5-2004-000	102 - 13		
RB1-7237-000	320 - 7	RG5-2014-000	350 - 5		
RB1-7238-000	103 - 14A	RG5-2015-000	350 - 4		
RB1-7244-000	103 - 4A	RG5-2029-000	310 - 6		
RB1-7246-000	103 - 2	RG5-2030-000	330 - 8		
RB1-7247-000	101 - 2	RG5-2031-000	310 - 7		
RB1-7254-000	340 - 1	RG5-2032-000	110 - 8		
RB1-7255-000	103 - 13	RG5-2033-000	110 - 9		
RB1-7256-000	103 - 12	RG5-2034-000	110 - 10		
RB1-7270-000	110 - 1A	RG5-2035-000	110 - 11		
RB1-7285-020	350 - 1	RG5-2036-000	110 - 12		
RB1-7287-000	350 - 2	RG5-2322-870	340 -		
RB1-7293-030	103 - 18	RG5-2326-050	100 - 9		
RB1-7294-000	103 - 19	RG5-2326-080	350 -		
RB1-7297-000	110 - 4A	RG5-2335-000	110 - 4		
RB1-7303-000	110 - 4B	RG5-2337-000	110 - 2		
RB1-7305-000	101 - 3	RG5-2340-000	900 - 2		
RB1-7307-000	101 - 1A	RG5-2341-030	900 - 2		
	101 - 5A	RG5-2899-000	900 - 2		
	103 - 3	RG5-2901-000	900 - 2		
RB1-7341-030	101 - 4	RG5-3487-000	260 - 7		
RB1-7345-000	102 - 16	RG9-1255-000	900 - 1		
RB1-7384-000	100 - 2	RG9-1256-000	900 - 1		
RB1-8150-000	100 - 4	RH2-5116-000	110 - 13		
RB1-8151-000	100 - 9A	RH2-5127-000	110 - 13		
RB1-8155-000	100 - 9B	RH2-5230-000	110 - 13		
RB1-8156-000	100 - 1	RH2-5344-000	110 - 13		
RB1-8158-000	100 - 3	RH6-3435-000	340 - 3		
RB1-8159-030	100 - 3	RH7-1282-000	102 - 7		
RB1-8160-030	100 - 3	RH7-5139-030	310 - 13		
RB1-8161-000	100 - 11	RS5-0786-000	310 - 9D		
RB1-8162-020	100 - 6	RS5-0787-000	102 - 8		
RB1-8163-000	100 - 7	RS5-0788-000	102 - 9		
RB1-8164-030	100 - 10	RS5-0789-000	102 - 10		
RB1-8165-030	100 - 8	RS5-0790-000	102 - 11		
RB1-8166-030	340 - 5	RS5-0791-000	102 - 12		
RB1-8167-000	340 - 4	RS5-0796-000	103 - 11		
RB1-8169-000	100 - 12	RS5-0798-000	102 - 1		
RB1-8170-000	102 - 3	RS5-0799-000	102 - 15		
RB1-8171-000	100 - 13	RS5-2501-000	310 - 14		
RB1-8174-000	100 - 14	RS5-2502-000	310 - 15		
RB1-8176-000	100 - 15	RS5-2503-000	330 - 5		
RB1-8181-000	350 - 6	RS5-2504-000	320 - 8		
RB1-9299-000	100 - 8	RS5-2505-000	320 - 9		
RB1-9300-000	100 - 8	RS5-2506-000	103 - 9A		
RB2-1633-000	260 - 3		103 - 10A		
RB2-1634-000	260 - 2		310 - 9E		
RB2-1701-000	260 - 7A				

Prepared by
Peripheral Products Quality Planning Div.
Peripheral Products Technical Documentation Dept.
CANON INC.
Printed in Japan

REVISION 0 [JULY 1995]
REVISION 1 [JULY 1996]
REVISION 2 [MAY 1999]

5-1, Hakusan 1-chome, Toride-shi, Ibaraki 302-8501, Japan

www.drinksports.pl



The printing paper contains
70% waste paper.

Canon

www.drumparts.pl