

PIXUS iP8600/iP8100/iP7100

PIXMA iP8500

PARTS CATALOG

REVISION 0

9325A001AA	iP 8500/ 120V(US)
9325A002AA	iP 8500/ 120V(CA)
9325A005AA	iP 8500/ 220V-240V(EUR)
9325A008AA	iP 8500/ 220V-240V(ASA HVT)
9325A009AA	iP 8500/ 220V-240V(AU)
9325A010AA	iP 8500/ 220V-240V(KR)
9325A011AA	iP 8500/ 220V-240V(GB)
9325A012AA	iP 8600/ 100V(JP)
9325A013AA	iP 8500/ 120V(TW)
9325A014AA	iP 8500/ 220V-240V(HK)
9325A015AA	iP 8500/ 220V-240V(CN)
9325A017AA	iP 8500/ 220V-240V(EUM)
9391A012AA	iP 8100/ 100V(JP)
9392A012AA	iP 7100/ 100V(JP)

Canon

AUG. 2004

QY8-31C6-000

COPYRIGHT © 2004 CANON INC. CANON PIXUS iP8600/8100/7100/PIXMA iP8500 0804 N 0.00-0

Application

This manual has been issued by Canon Inc. for qualified person to learn technical theory, installation, maintenance, and repair of products. This manual covers all localities where the products are sold. For this reason, there may be information in this manual that does not apply to your locality.

Corrections

This manual could include technical inaccuracies or typographical errors due to improvements or changes in the products. When changes occur in applicable products or in the content of this manual, Canon will release technical information as the need arises. In the event of major changes in the contents of this manual over a long or short period. Canon will issue a new editions of this manual. The following paragraph does not apply to any countries where such provisions are inconsistent with local law.

Trademarks

The product names and company names described in this manual are the registered trademarks of the individual companies.

Copyright

This manual is copyrighted with all rights reserved. Under the copyright laws, this manual may not be copied, reproduced or translated into another language, in whole or in part, without the written consent of Canon Inc.

Copyright © 2004 by Canon Inc.

CANON INC.

Inkjet SFP Quality Assurance Div.

16-1, Shimonoge 3-chome, Takatsu-ku, Kawasaki-shi, Kanagawa 215-8512, Japan

This manual was created under Microsoft® Windows® 2000.

Parts layout pictures were edited using Adobe® Photoshop® 7.0. KEY No. were created using Adobe® Illustrator® 10.

HTML files were created using Microsoft® FrontPage® 2000.

www.orukparts.pl

ABOUT THIS MANUAL

A. ILLUSTRATION INDEX

For illustration index, the parts layout illustrations in this parts catalog are listed in abbreviated form in order of illustration number to identify the pages they appear on. To find an illustration of a part, see the ILLUSTRATION INDEX.

B. PARTS LAYOUT & PARTS LIST

Parts layout illustration

a) Parts search

Find a part from the parts layout illustration and find its key number from the parts list to identify the part number and name. For screws, nuts, washers, lock washers, pins, spacers, see SCREWS & WASHERS LIST.

Note: If parts have the same or similar shape but different specifications, their key number is assigned to several part numbers and names in the parts list.

b) Parts replacement procedure

To replace parts, the parts layout illustrations have figure numbers according to the disassembly procedure of the product. The parts that require careful work are shown the illustration.

Parts list

a) FIGURE & KEY No.

The FIGURE & KEY No. column corresponds to the key numbers assigned to the parts in the parts layout illustration.

b) PART NUMBER

The PART NUMBER column gives the part numbers corresponding to the key numbers. To order a part, indicate the part number clearly.

Note: Parts marked NPN are not service parts.

c) RANK

The service parts with N in the RANK column are order parts.

d) QTY

The QTY column gives the number of parts in the corresponding components layout illustration.

e) DESCRIPTION

The DESCRIPTION column gives the part names in English.

To order a part, indicate the part name, too.

C. OPTIONS & CONSUMABLES

These are illustrations and a list of units that can be used as optional consumable equipments.

D. SCREWS & WASHERS LIST

This is a list of screws, nuts, washers, lock washers, pins, and spacers.

The QTY column does not give the number of parts used.

E. TOOL LIST

This is a list of tools used for servicing products.

F. NUMERICAL INDEX

All the parts listed in this parts catalog are arranged in order of part number. You can identify part locations and names from the NUMERICAL INDEX.

Contents

A. ILLUSTRATION INDEX ▶

B. PARTS LAYOUT & PARTS LIST

[FIGURE 1 PRINTER & CASSETTE & PRINT HEAD](#)

[FIGURE 2 AC ADAPTER](#)

[FIGURE 3 OPERATION PANEL UNIT & MAIN CASE UNIT](#)

[FIGURE 4 BOTTOM CASE UNIT](#)

[FIGURE 5 LOGIC BOARD](#)

[FIGURE 6 SHEET FEED UNIT](#)

[FIGURE 7 INK ABSORBER](#)

[FIGURE 8 CARRIAGE UNIT](#)

[FIGURE 9 PURGE UNIT](#)

[FIGURE 10 PLATEN UNIT](#)

[FIGURE 11 PAPER FEED & CARRIAGE UNIT PART](#)

C. OPTION & CONSUMABLES ▶

D. SCREW & WASHER LIST ▶

E. TOOL ▶

F. NUMERICAL INDEX ▶

www.druckparts.pl

A. ILLUSTRATION INDEX

Contents

<p>FIGURE 1 PRINTER & CASSETTE & PRINT HEAD</p> 	<p>FIGURE 2 AC ADAPTER</p> 
<p>FIGURE 3 OPERATION PANEL UNIT & MAIN CASE UNIT</p> 	<p>FIGURE 4 BOTTOM CASE UNIT</p> 
<p>FIGURE 5 LOGIC BOARD</p> 	<p>FIGURE 6 SHEET FEED UNIT</p> 

www.drukparts.pl

FIGURE 7 INK ABSORBER

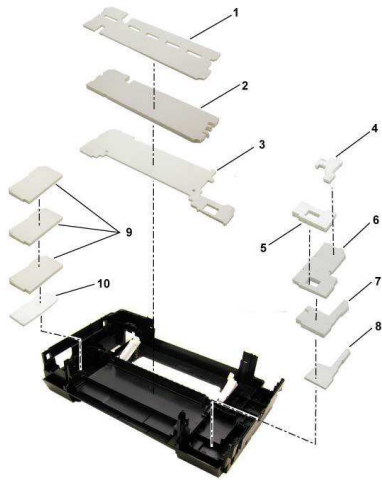


FIGURE 8 CARRIAGE UNIT

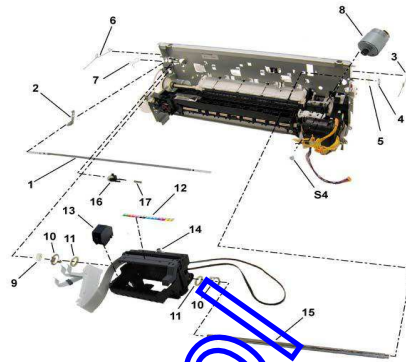


FIGURE 9 PURGE UNIT

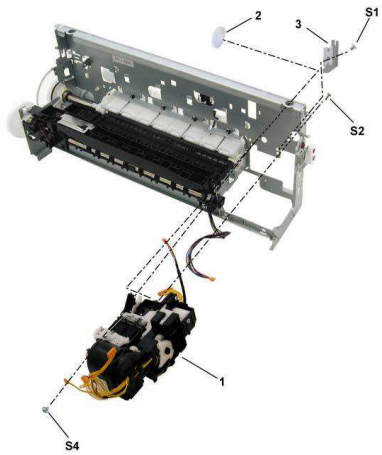


FIGURE 10 PLATEN UNIT

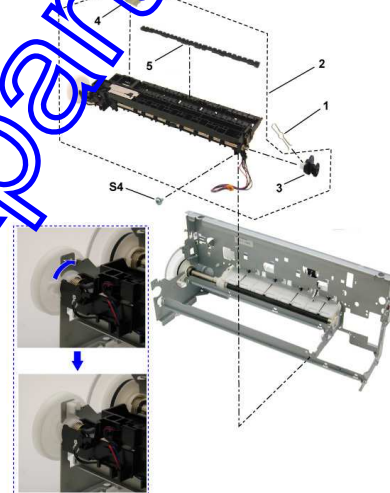


FIGURE 11 PAPER FEED & CARRIAGE LIFT PART

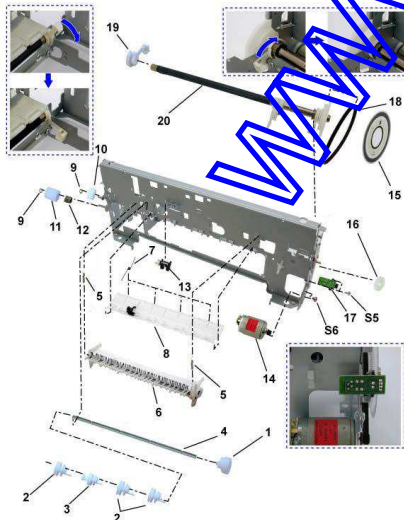


FIGURE 12 OPTION & CONSUMABLES

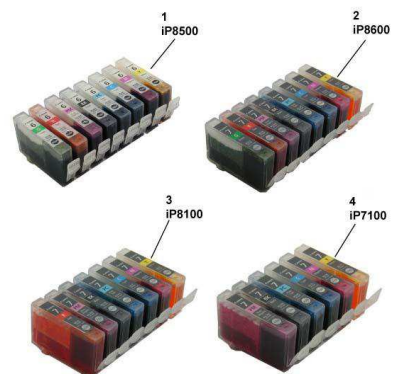
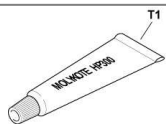


FIGURE 13 TOOL



www.drukparts.pl

FIGURE 1 PRINTER & CASSETTE & PRINT HEAD



FIGURE & KEY No.		PART NUMBER	RANK	QTY	DESCRIPTION	REMARKS
1 -	1	QM2-1225-000		1	CASSETTE UNIT	FOR IP7100
		QM2-1630-000		1	CASSETTE UNIT	FOR IP8500,8600,8100
	2	QC1-4286-000		1	COVER, CASSETTE	
	3	QL2-0605-000		1	CDR TRAY ASS'Y	W/ CDR PRINTING
	4	QA4-1117-000		1	TRAY, CD SUB	W/ CDR PRINTING
	5	QH2-2724-000		1	CORD, POWER	100V-120V(JP)
		QH2-2725-000		1	CORD, POWER	100V-120V
		QH2-2726-000		1	CORD, POWER	220V-240V
		QH2-2727-000		1	CORD, POWER	220V-240V(AU)
		WT3-5156-000		1	CORD, POWER	220V-240V(GB, HK)
		WT3-5160-000		1	CORD, POWER	220V-240V(KR)
		WT3-5182-000		1	CORD, POWER	220V-240V(CHN)
	6	QY6-0053-000		1	PRINT HEAD	FOR IP8100
		QY6-0055-000		1	PRINT HEAD	FOR IP8500,8600
		QY6-0058-000		1	PRINT HEAD	FOR IP7100

www.drukparts.pl

FIGURE 2 AC ADAPTER



FIGURE & KEY No.		PART NUMBER	RANK	QTY	DESCRIPTION	REMARKS
2 -	1	QK1-0857-000		1	AC ADAPTER: 100V-120V 50/60HZ	
		QK1-0858-000		1	AC ADAPTER: 220V-240V 50/60HZ	
	2	QC1-4456-000		1	COVER, PAPER FEED GUIDE	FOR iP7100
		QC1-5489-000		1	COVER, PAPER FEED GUIDE	FOR iP8500,8600,8100

www.drukparts.pl

FIGURE 3 OPERATION PANEL UNIT & MAIN CASE UNIT

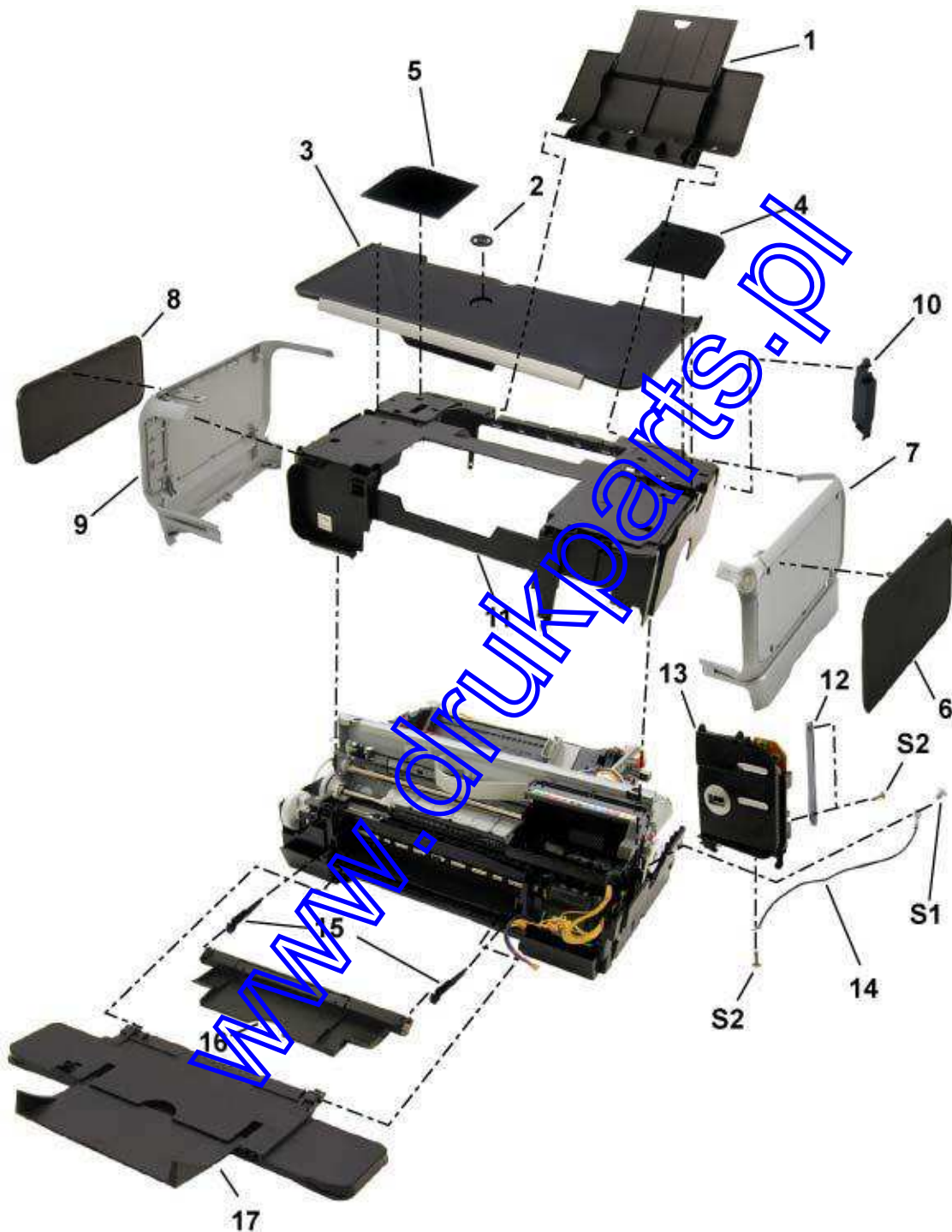


FIGURE & KEY No.		PART NUMBER	RANK	QTY	DESCRIPTION	REMARKS
3 -	1	QM2-1232-000		1	PAPER SUPPORT UNIT	FOR iP7100
		QM2-1625-000		1	PAPER SUPPORT UNIT	FOR iP8500,8600,8100
	2	QC1-4261-000		1	EMBLEM, PIXMA	
		QC1-4265-000		1	EMBLEM, PIXUS	
3		QM2-1596-000		1	ACCESS COVER UNIT	FOR iP8500
		QM2-1825-000		1	ACCESS COVER UNIT	FOR iP7100
		QM2-1833-000		1	ACCESS COVER UNIT	FOR iP8100
		QM2-1839-000		1	ACCESS COVER UNIT	FOR iP8600
4		QC1-5394-000		1	COVER, MAIN CASE R	FOR iP8500,8600,8100
		QC1-5622-000		1	COVER, MAIN CASE R	FOR iP7100
5		QC1-5395-000		1	COVER, MAIN CASE L	FOR iP8500,8600,8100
		QC1-5623-000		1	COVER, MAIN CASE L	FOR iP7100
6		QC1-5412-000		1	COVER, SIDE R	FOR iP8500,8600,8100
		QC1-5628-000		1	COVER, SIDE R	FOR iP7100
7		QM2-1597-000		1	SIDE COVER BASE R UNIT	
8		QC1-5402-000		1	COVER, SIDE L	FOR iP8500,8600,8100
		QC1-5627-000		1	COVER, SIDE L	FOR iP7100
9		QM2-1838-000		1	SIDE COVER BASE L UNIT	
10		QC1-5404-000		1	COVER, I/F	FOR iP8500,8600,8100
		QC1-5629-000		1	COVER, I/F	FOR iP7100
11		QM2-1582-000		1	MAIN CASE UNIT	FOR iP8500,8600,8100
		QM2-1829-000		1	MAIN CASE UNIT	FOR iP7100
12		QC1-5667-000		1	SHEET, OPERATION PANEL	
13		QM2-1595-000		1	OPERATION PANEL UNIT	FOR iP8500,8600,8100
		QM2-1824-000		1	OPERATION PANEL UNIT	FOR iP7100
14		QM2-1926-000		1	PANEL EARTH HARNESS ASS'Y	
15		QC1-4252-000		2	ARM, RELEASE	
16		QM2-1239-000		1	CDR TRAY BASE UNIT	W/ CDR PRINTING, FOR iP7100
		QM2-1621-000		1	CDR TRAY BASE UNIT	W/ CDR PRINTING, FOR iP8500/8600/8100
		QM2-2036-000		1	INNER COVER UNIT	W/O CDR PRINTING
17		QM2-1827-000		1	FRONT DOOR UNIT	FOR iP7100
		QM2-1840-000		1	FRONT DOOR UNIT	FOR iP8500,8600,8100

FIGURE 4 BOTTOM CASE UNIT

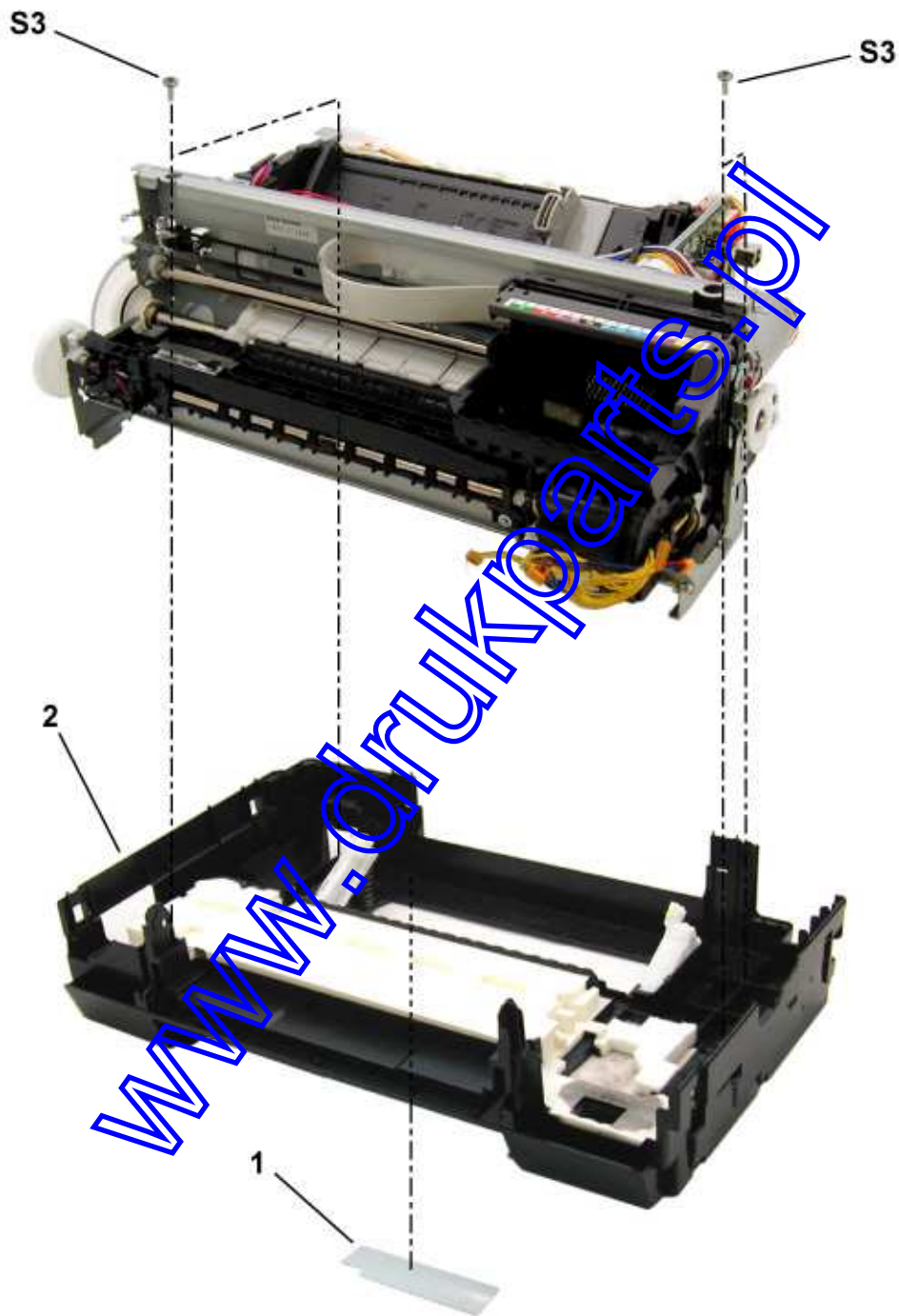


FIGURE & KEY No.		PART NUMBER	RANK	QTY	DESCRIPTION	REMARKS
4 -	1	QC1-5615-000		1	LABEL, RATING	FOR iP8500
	2	QM2-1583-000		1	BOTTOM CASE UNIT	FOR iP8500,8600,8100
		QM2-1823-000		1	BOTTOM CASE UNIT	FOR iP7100

www.drukparts.pl

FIGURE 5 LOGIC BOARD

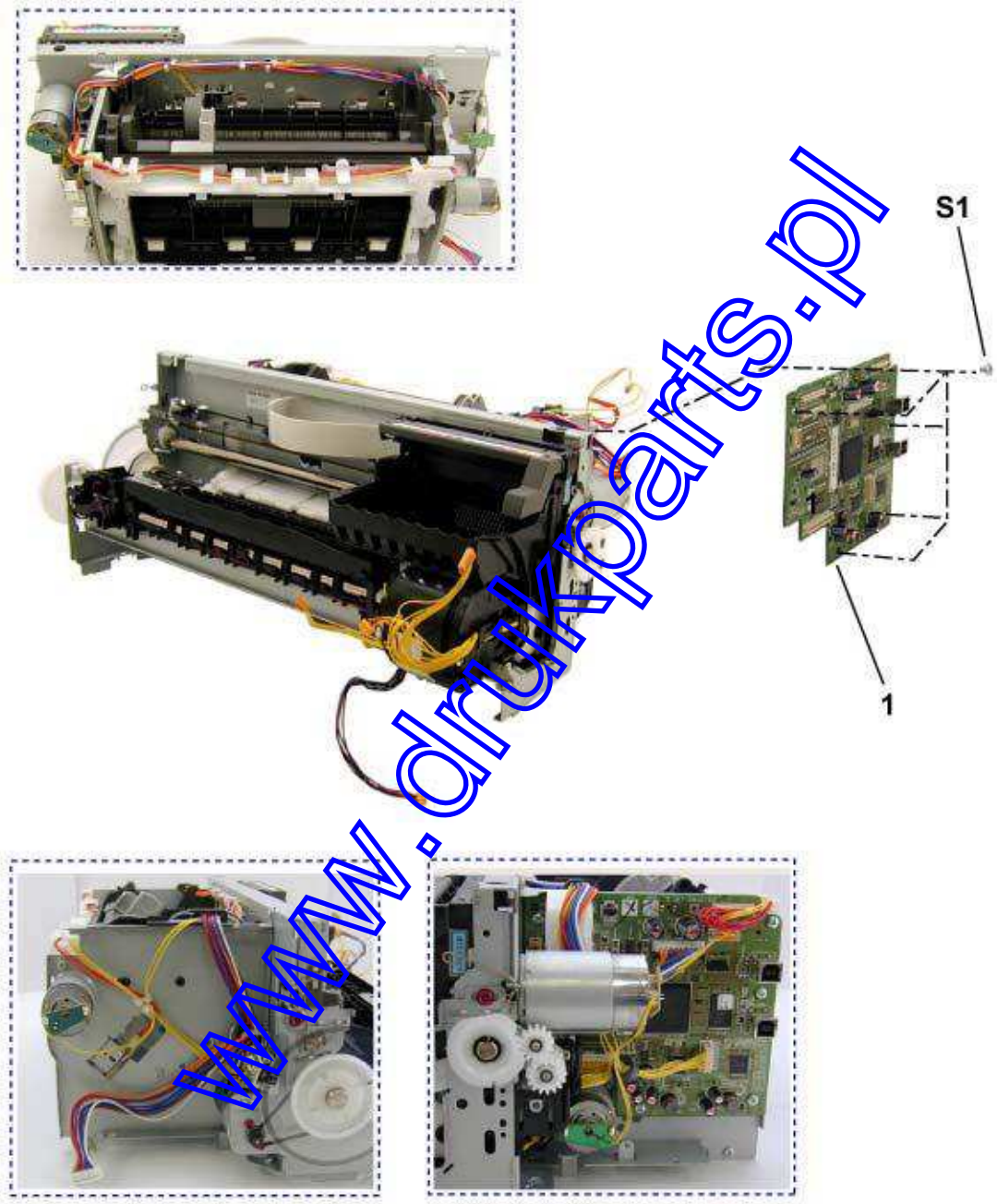


FIGURE & KEY No.		PART NUMBER	RANK	QTY	DESCRIPTION	REMARKS
5 -	1	QM2-1616-000		1	LOGIC BOARD ASS'Y	FOR iP8500,8600
		QM2-1910-000		1	LOGIC BOARD ASS'Y	FOR iP8100
		QM2-1911-000		1	LOGIC BOARD ASS'Y	FOR iP7100

www.drukparts.pl

FIGURE 6 SHEET FEED UNIT

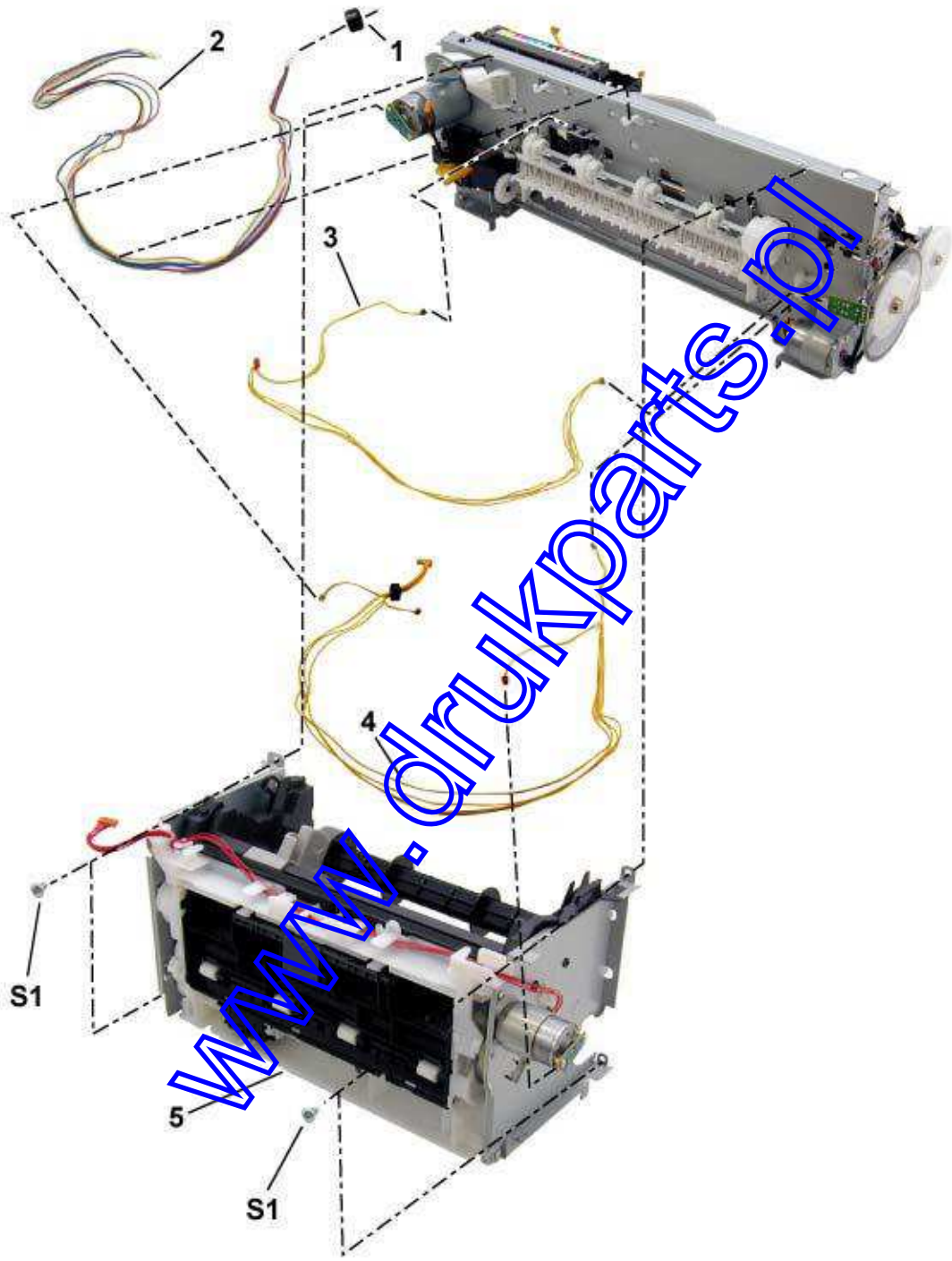


FIGURE & KEY No.		PART NUMBER	RANK	QTY	DESCRIPTION	REMARKS
6 -	1	WE8-5972-000		1	FERRITE CORE	
	2	QM2-1924-000		1	DC CONNECTOR ASS'Y	
	3	QM2-1557-000		1	SENSOR MULTI HARNESS ASS'Y	
	4	QM2-1913-000		1	MOTOR MULTI HARNESS ASS'Y	
	5	QM2-1220-000		1	SHEET FEED UNIT	

www.drukparts.pl

FIGURE 7 INK ABSORBER

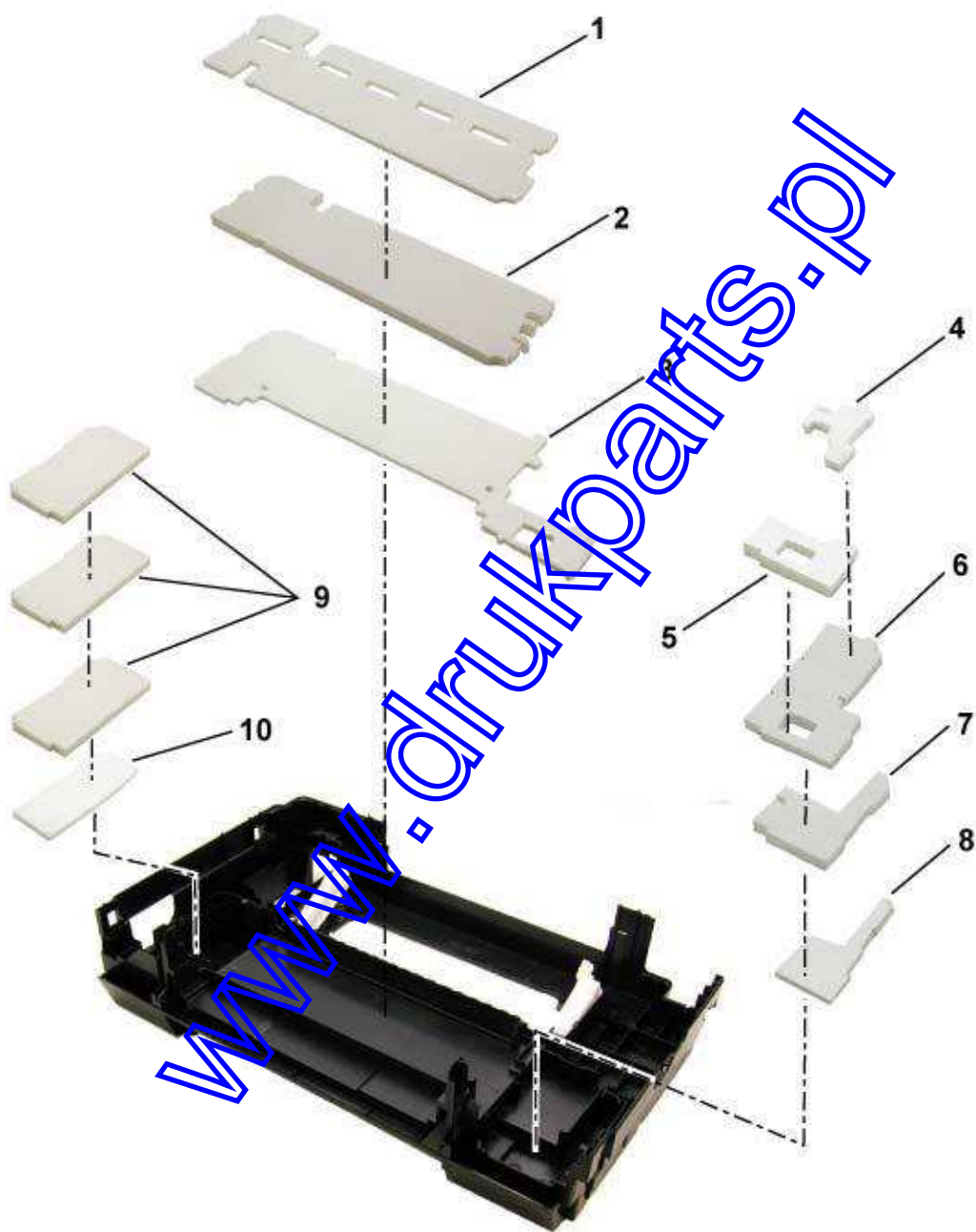


FIGURE & KEY No.		PART NUMBER	RANK	QTY	DESCRIPTION	REMARKS
7 -	1	QC1-5381-000		1	ABSORBER, INK	
	2	QC1-5390-000		1	ABSORBER, INK	
	3	QC1-5382-000		1	ABSORBER, INK	
	4	QC1-5387-000		1	ABSORBER, INK	
	5	QC1-5383-000		1	ABSORBER, INK	
	6	QC1-5384-000		1	ABSORBER, INK	
	7	QC1-5388-000		1	ABSORBER, INK	
	8	QC1-5389-000		1	ABSORBER, INK	
	9	QC1-5386-000		3	ABSORBER, INK	
	10	QC1-5385-000		1	ABSORBER, INK	

www.drukparts.pl

FIGURE 8 CARRIAGE UNIT

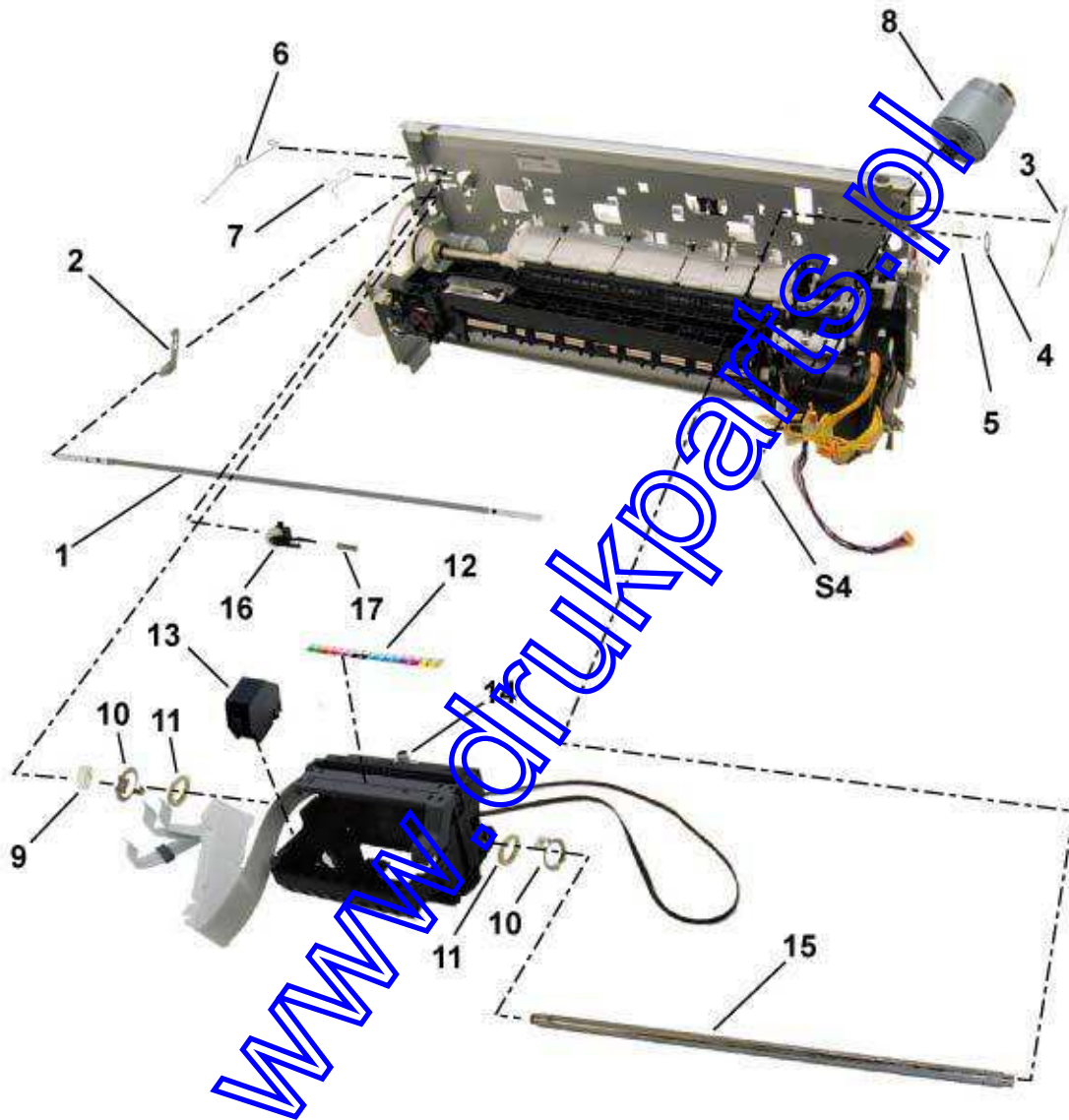


FIGURE & KEY No.		PART NUMBER	RANK	QTY	DESCRIPTION	REMARKS
8 -	1	QC1-5373-000		1	FILM, TIMING SLIT STRIP	
	2	QA4-0990-000		1	SPRING, LEAF	
	3	QC1-4280-000		1	CLIP, SHAFT R	
	4	QC1-2289-000		1	RING, CARRIAGE SHAFT	
	5	QC1-4282-000		1	CAM, CARRIAGE SHAFT R	
	6	QC1-4279-000		1	CLIP, SHAFT L	
	7	QC1-2510-000		1	CLIP, CARRIAGE SHAFT	
	8	QK1-0545-000		1	MOTOR, CARRIAGE	
	9	QC1-4281-000		1	CAM, CARRIAGE SHAFT L	
	10	QC1-5616-000	N	2	HOLDER, GREASE PAD	
	11	QA4-0721-000		2	PAD, GREASE	
	12	QC1-5420-000		1	LABEL, TANK	FOR iP8500
		QC1-5612-000		1	LABEL, TANK	FOR iP8600
		QC1-5617-000		1	LABEL, TANK	FOR iP7100
		QC1-5647-000		1	LABEL, TANK	FOR iP8100
	13	QC1-5648-000		1	CAP, CARRIAGE COVER	FOR iP8100
		QC1-5648-000		2	CAP, CARRIAGE COVER	FOR iP7100
	14	QM2-1586-000		1	CARRIAGE UNIT	
	15	QC1-5372-000	N	1	SHAFT, CARRIAGE	
	16	QL2-0597-000		1	IDLER PULLEY ASS'Y	
	17	QC1-2290-000		1	SPRING, COIL	

FIGURE 9 PURGE UNIT

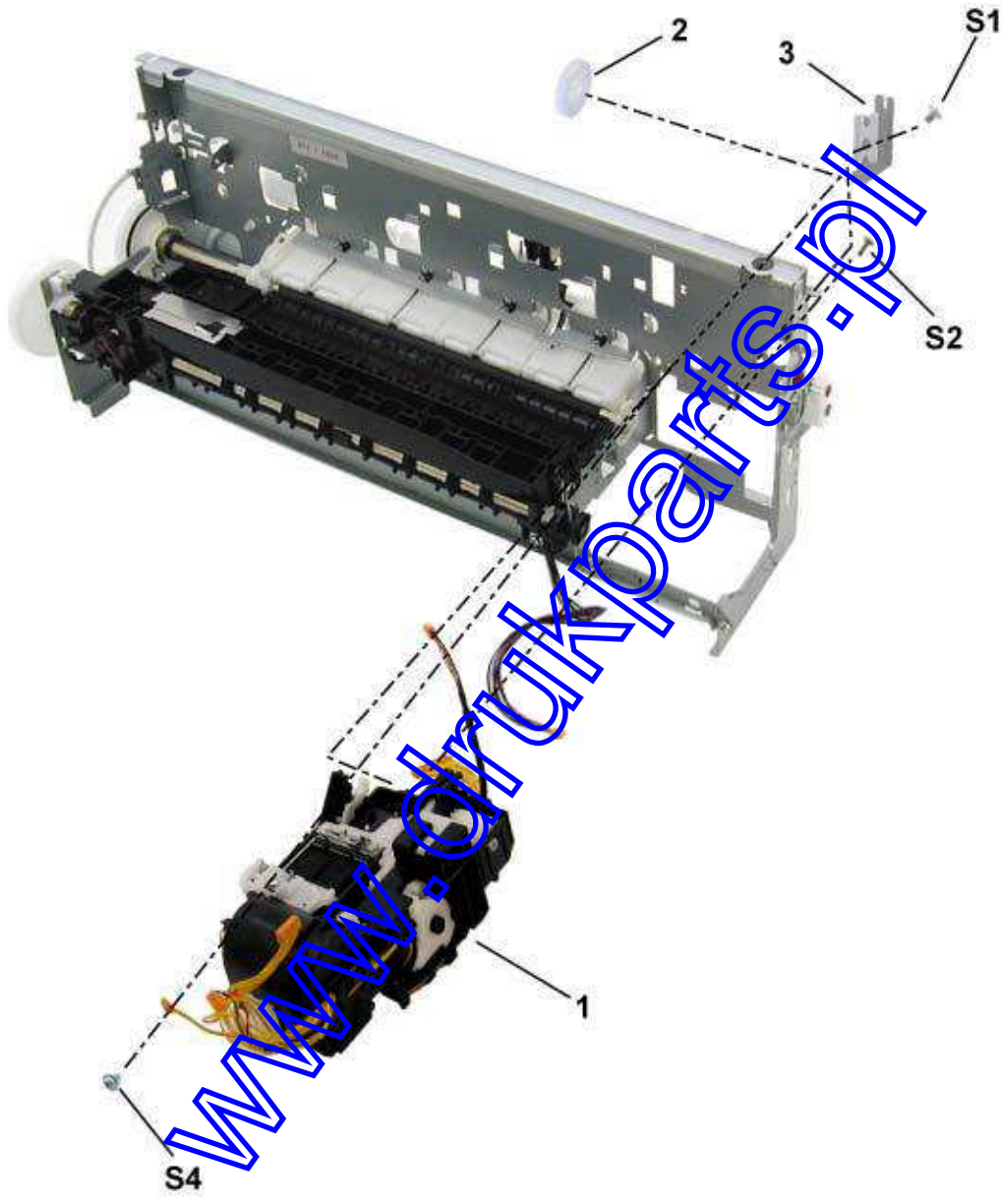


FIGURE & KEY No.		PART NUMBER	RANK	QTY	DESCRIPTION	REMARKS
9 -	1	QM2-1590-000		1	PURGE UNIT	
	2	QC1-4390-000		1	GEAR, TRANSMISSION	
	3	QC1-4875-000	N	1	PLATE, PURGE	

www.drukparts.pl

FIGURE 10 PLATEN UNIT

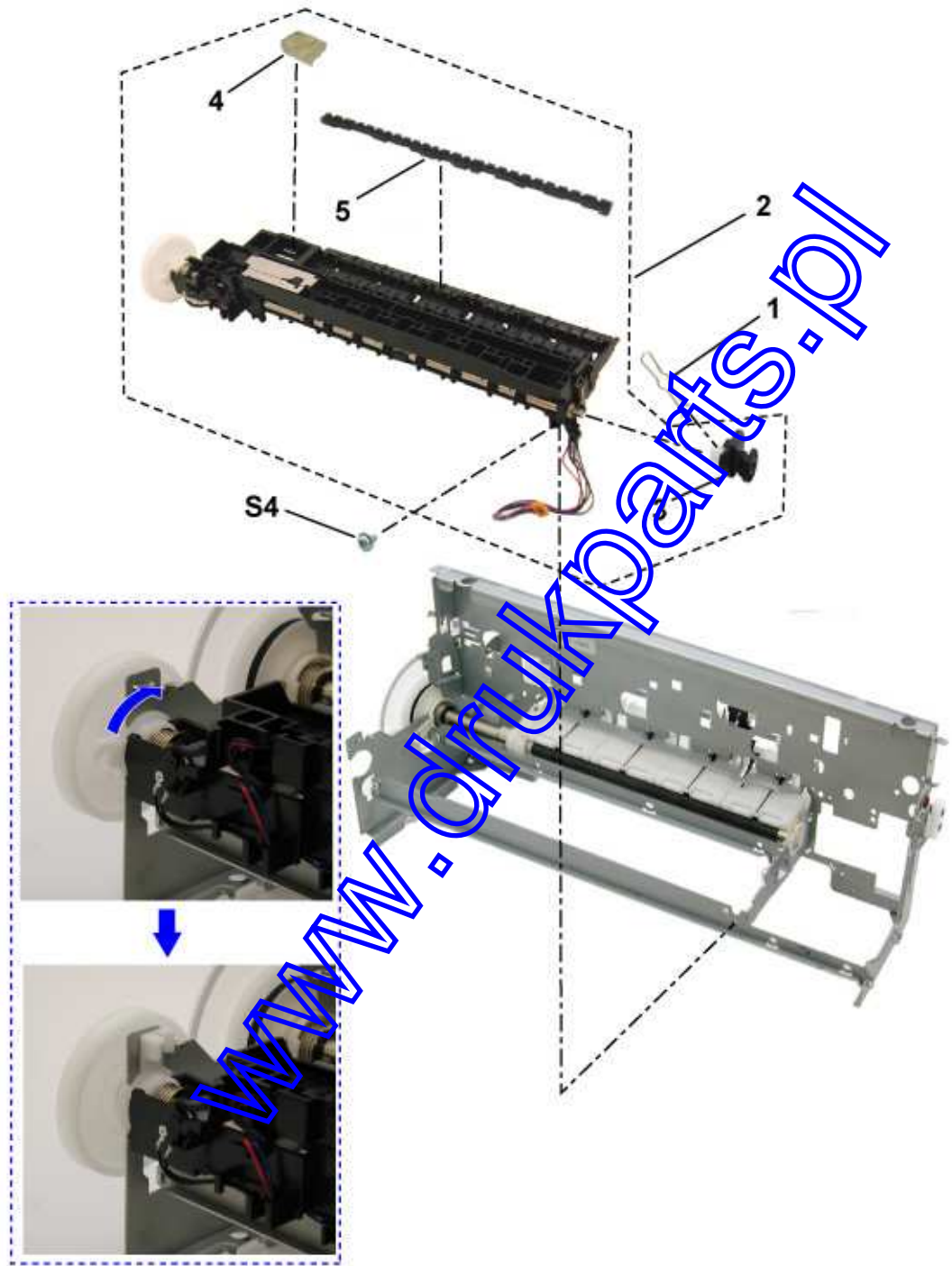


FIGURE & KEY No.		PART NUMBER	RANK	QTY	DESCRIPTION	REMARKS
10 -	1	QC1-5850-000		1	SPRING, VALVE CAM	
	2	QM2-1831-000		1	PLATEN UNIT	
	3	QC1-4376-000		1	CAM, VALVE	
	4	QC1-4879-000		1	ABSORBER, INK	
	5	QC1-5368-000		1	ABSORBER, INK	

www.drukparts.pl

FIGURE 11 PAPER FEED & CARRIAGE LIFT PART

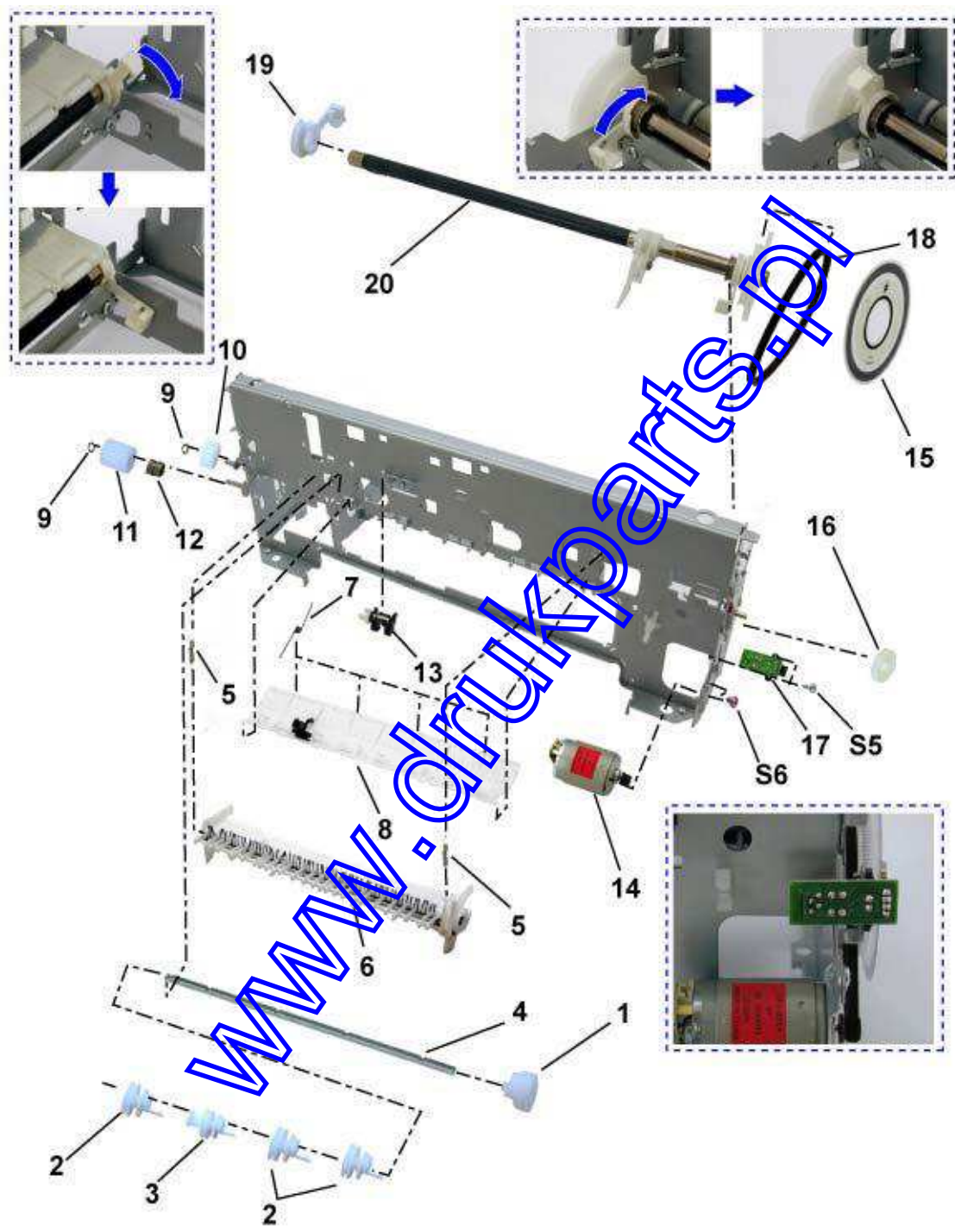


FIGURE & KEY No.		PART NUMBER	RANK	QTY	DESCRIPTION	REMARKS
11 -	1	QC1-4333-000		1	GEAR, LIFT SHAFT	
	2	QC1-4332-000		3	CAM, LIFT SHAFT	
	3	QC1-4837-000		1	CAM, PAPER END RELEASE	
	4	QC1-4331-000	N	1	SHAFT, LIFT	
	5	QU1-2098-000		2	SPRING, HOOK END COIL	
	6	QM2-1830-000		1	PAPER GUIDE UNIT	
	7	QC1-4346-000		4	SPRING, TORSION	
	8	QM2-1235-000		1	PRESSURE ROLLER ASS'Y	
	9	QC1-4391-000		2	RING, LIFT TRANSMISSION GEAR	
	10	QC1-4327-000		1	GEAR, LIFT TRANSMISSION	
	11	QC1-4328-000		1	GEAR, LIFT TRANSMISSION	
	12	QC1-4329-000		1	SPRING, COIL	
	13	WG8-5624-000		1	IC, PHOTO INTERRUPTER	
	14	QK1-0550-000		1	MOTOR, PAPER FEED	
	15	QC1-4375-000		1	FILM, TIMING SLIT DISK	
	16	QC1-4340-000		1	GEAR, EJECT	
	17	QM2-1587-000		1	TIMING SENSOR UNIT	
	18	QC1-4836-000		1	BELT, PAPER FEED	
	19	QC1-4351-000		1	BUSHING	
	20	QL2-0742-000		1	FEED ROLLER ASS'Y	

www.druckparts.pl

FIGURE 12 OPTION & CONSUMABLES



FIGURE & KEY No.		PART NUMBER	RANK	QTY	DESCRIPTION	REMARKS		
12 -	1	NPN		1	BLACK INK TANK BCI-6BK	CONSUMABLES		
		NPN		1	CYAN INK TANK BCI-6C	CONSUMABLES		
		NPN		1	MAGENTA INK TANK BCI-6M	CONSUMABLES		
		NPN		1	YELLOW INK TANK BCI-6Y	CONSUMABLES		
		NPN		1	PHOTO CYAN INK TANK BCI-6PC	CONSUMABLES		
		NPN		1	PHOTO MAGENTA INK TANK BCI-6PM	CONSUMABLES		
		NPN		1	RED INK TANK BCI-6R	CONSUMABLES		
		NPN		1	GREEN INK TANK BCI-6G	CONSUMABLES		
			2	NPN		1	BLACK INK TANK BCI-7BK	CONSUMABLES
NPN				1	CYAN INK TANK BCI-7C	CONSUMABLES		
NPN				1	MAGENTA INK TANK BCI-7M	CONSUMABLES		
NPN				1	YELLOW INK TANK BCI-7Y	CONSUMABLES		
NPN				1	PHOTO CYAN INK TANK BCI-7PC	CONSUMABLES		
NPN				1	PHOTO MAGENTA INK TANK BCI-7PM	CONSUMABLES		
NPN				1	RED INK TANK BCI-7R	CONSUMABLES		
NPN				1	GREEN INK TANK BCI-7G	CONSUMABLES		
	3			NPN		1	BLACK INK TANK BCI-7BK	CONSUMABLES
		NPN		1	CYAN INK TANK BCI-7C	CONSUMABLES		
		NPN		1	MAGENTA INK TANK BCI-7M	CONSUMABLES		
		NPN		1	YELLOW INK TANK BCI-7Y	CONSUMABLES		
		NPN		1	PHOTO CYAN INK TANK BCI-7PC	CONSUMABLES		
		NPN		1	PHOTO MAGENTA INK TANK BCI-7PM	CONSUMABLES		
		NPN		1	RED INK TANK BCI-7R	CONSUMABLES		
			4	NPN		1	BLACK INK TANK BCI-7BK	CONSUMABLES
				NPN		1	CYAN INK TANK BCI-7C	CONSUMABLES
NPN				1	MAGENTA INK TANK BCI-7M	CONSUMABLES		
NPN				1	YELLOW INK TANK BCI-7Y	CONSUMABLES		
NPN				1	PHOTO CYAN INK TANK BCI-7PC	CONSUMABLES		
NPN				1	PHOTO MAGENTA INK TANK BCI-7PM	CONSUMABLES		
NPN				1	RED INK TANK BCI-7R	CONSUMABLES		

D. SCREW & WASHER LIST

[Contents](#)

FIGURE & KEY No.		PART NUMBER	RANK	QTY	DESCRIPTION	REMARKS
S -	1	XB1-2300-405			SCREW, MACH.BH, M3X4	
	2	XB4-7300-805			SCREW, TP, BH3X8	
	3	XA9-1258-000			SCREW, TAP, WASHER HEAD, M3X12	
	4	XB6-7300-605			SCREW, MACHINE, WASHER HEAD, M3x6	
	5	XB1-2200-505			SCREW, MACH, TRUSS HEAD, M2X5	
	6	XA9-1437-000			SCREW, BIND, M2.6X4(RED)	

www.drukparts.pl

FIGURE 13 TOOL

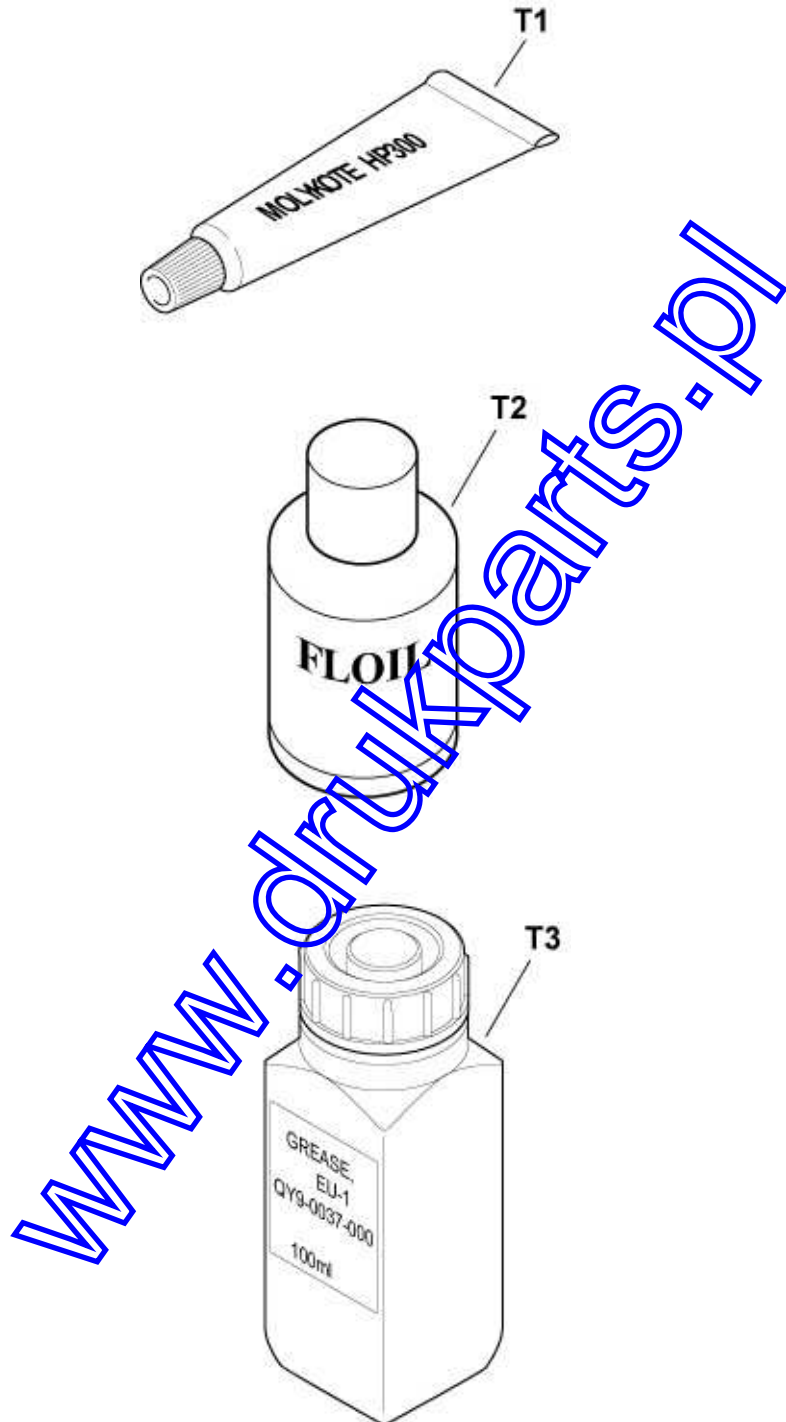


FIGURE & KEY No.		PART NUMBER	RANK	QTY	DESCRIPTION	REMARKS
T -	1	QY9-0035-000		1	GREASE, MOLYKOTE HP300	
	2	QY9-0057-000		1	LUBE, FLOIL KG107A, OIL	
	3	QY9-0037-000		1	GREASE EU-1	

www.drukparts.pl

F. NUMERICAL INDEX

PART NUMBER	FIGURE & KEY No.		DESCRIPTION
QA4-0721-000	8 -	11	PAD, GREASE
QA4-0990-000	8 -	2	SPRING, LEAF
QA4-1117-000	1 -	4	TRAY, CD SUB
QC1-2289-000	8 -	4	RING, CARRIAGE SHAFT
QC1-2290-000	8 -	17	SPRING, COIL
QC1-2510-000	8 -	7	CLIP, CARRIAGE SHAFT
QC1-4252-000	3 -	15	ARM, RELEASE
QC1-4261-000	3 -	2	EMBLEM, PIXMA
QC1-4265-000	3 -	2	EMBLEM, PIXUS
QC1-4279-000	8 -	6	CLIP, SHAFT L
QC1-4280-000	8 -	3	CLIP, SHAFT R
QC1-4281-000	8 -	9	CAM, CARRIAGE SHAFT L
QC1-4282-000	8 -	5	CAM, CARRIAGE SHAFT R
QC1-4286-000	1 -	2	COVER, CASSETTE
QC1-4327-000	11 -	10	GEAR, LIFT TRANSMISSION
QC1-4328-000	11 -	11	GEAR, LIFT TRANSMISSION
QC1-4329-000	11 -	12	SPRING, COIL
QC1-4331-000	11 -	4	SHAFT, LIFT
QC1-4332-000	11 -	2	CAM, LIFT SHAFT
QC1-4333-000	11 -	1	GEAR, LIFT SHAFT
QC1-4340-000	11 -	16	GEAR, EJECT
QC1-4346-000	11 -	7	SPRING, TORSION
QC1-4351-000	11 -	19	BUSHING
QC1-4375-000	11 -	15	FILM, TIMING SLIT DISK
QC1-4376-000	10 -	3	CAM, VALVE
QC1-4390-000	9 -	2	GEAR, TRANSMISSION
QC1-4391-000	11 -	9	RING, LIFT TRANSMISSION GEAR
QC1-4456-000	2 -	2	COVER, PAPER FEED GUIDE
QC1-4836-000	11 -	18	BELT, PAPER FEED
QC1-4837-000	11 -	3	CAM, PAPER END RELEASE
QC1-4875-000	9 -	3	PLATE, PURGE
QC1-4879-000	10 -	4	ABSORBER, INK
QC1-5368-000	10 -	5	ABSORBER, INK
QC1-5372-000	8 -	15	SHAFT, CARRIAGE
QC1-5373-000	8 -	1	FILM, TIMING SLIT STRIP
QC1-5381-000	7 -	1	ABSORBER, INK
QC1-5382-000	7 -	3	ABSORBER, INK
QC1-5383-000	7 -	5	ABSORBER, INK
QC1-5384-000	7 -	6	ABSORBER, INK
QC1-5385-000	7 -	10	ABSORBER, INK
QC1-5386-000	7 -	9	ABSORBER, INK
QC1-5387-000	7 -	4	ABSORBER, INK
QC1-5388-000	7 -	7	ABSORBER, INK
QC1-5389-000	7 -	8	ABSORBER, INK

PART NUMBER	FIGURE & KEY No.		DESCRIPTION
QC1-5390-000	7 -	2	ABSORBER, INK
QC1-5394-000	3 -	4	COVER, MAIN CASE R
QC1-5395-000	3 -	5	COVER, MAIN CASE L
QC1-5402-000	3 -	8	COVER, SIDE L
QC1-5404-000	3 -	10	COVER, I/F
QC1-5412-000	3 -	6	COVER, SIDE R
QC1-5420-000	8 -	12	LABEL, TANK
QC1-5489-000	2 -	2	COVER, PAPER FEED GUIDE
QC1-5612-000	8 -	12	LABEL, TANK
QC1-5615-000	4 -	1	LABEL, RATING
QC1-5616-000	8 -	10	HOLDER, GREASE PAD
QC1-5617-000	8 -	12	LABEL, TANK
QC1-5622-000	3 -	4	COVER, MAIN CASE R
QC1-5623-000	3 -	5	COVER, MAIN CASE L
QC1-5627-000	3 -	8	COVER, SIDE L
QC1-5628-000	3 -	6	COVER, SIDE R
QC1-5629-000	3 -	10	COVER, I/F
QC1-5647-000	8 -	12	LABEL, TANK
QC1-5648-000	8 -	13	CAP, CARRIAGE COVER
QC1-5667-000	3 -	12	SHEET, OPERARION PANEL
QC1-5850-000	10 -	1	SPRING, VALVE CAM
QH2-2724-000	1 -	5	CORD, POWER
QH2-2725-000	1 -	5	CORD, POWER
QH2-2726-000	1 -	5	CORD, POWER
QH2-2727-000	1 -	5	CORD, POWER
QK1-0545-000	8 -	8	MOTOR, CARRIAGE
QK1-0550-000	11 -	14	MOTOR, PAPER FEED
QK1-0857-000	2 -	1	AC ADAPTER: 100V-120V 50/60HZ
QK1-0858-000	2 -	1	AC ADAPTER: 220V-240V 50/60HZ
QL2-0597-000	8 -	16	IDLER PULLEY ASS'Y
QL2-0605-000	1 -	3	CDR TRAY ASS'Y
QL2-0742-000	11 -	20	FEED ROLLER ASS'Y
QM2-1220-000	6 -	5	SHEET FEED UNIT
QM2-1225-000	1 -	1	CASSETTE UNIT
QM2-1232-000	3 -	1	PAPER SUPPORT UNIT
QM2-1235-000	11 -	8	PRESSURE ROLLER ASS'Y
QM2-1239-000	3 -	16	CDR TRAY BASE UNIT
QM2-1557-000	6 -	3	SENSOR MULTI HARNESS ASS'Y
QM2-1582-000	3 -	11	MAIN CASE UNIT
QM2-1583-000	4 -	2	BOTTOM CASE UNIT
QM2-1586-000	8 -	14	CARRIAGE UNIT
QM2-1587-000	11 -	17	TIMING SENSOR UNIT
QM2-1590-000	9 -	1	PURGE UNIT
QM2-1595-000	3 -	13	OPERATION PANEL UNIT

PART NUMBER	FIGURE & KEY No.		DESCRIPTION
QM2-1596-000	3 -	3	ACCESS COVER UNIT
QM2-1597-000	3 -	7	SIDE COVER BASE R UNIT
QM2-1616-000	5 -	1	LOGIC BOARD ASS'Y
QM2-1621-000	3 -	16	CDR TRAY BASE UNIT
QM2-1625-000	3 -	1	PAPER SUPPORT UNIT
QM2-1630-000	1 -	1	CASSETTE UNIT
QM2-1823-000	4 -	2	BOTTOM CASE UNIT
QM2-1824-000	3 -	13	OPERATION PANEL UNIT
QM2-1825-000	3 -	3	ACCESS COVER UNIT
QM2-1827-000	3 -	17	FRONT DOOR UNIT
QM2-1829-000	3 -	11	MAIN CASE UNIT
QM2-1830-000	11 -	6	PAPER GUIDE UNIT
QM2-1831-000	10 -	2	PLATEN UNIT
QM2-1833-000	3 -	3	ACCESS COVER UNIT
QM2-1838-000	3 -	9	SIDE COVER BASE L UNIT
QM2-1839-000	3 -	3	ACCESS COVER UNIT
QM2-1840-000	3 -	17	FRONT DOOR UNIT
QM2-1910-000	5 -	1	LOGIC BOARD ASS'Y
QM2-1911-000	5 -	1	LOGIC BOARD ASS'Y
QM2-1913-000	6 -	4	MOTOR MULTI HARNESS ASS'Y
QM2-1924-000	6 -	2	DC CONNECTOR ASS'Y
QM2-1926-000	3 -	14	PANEL EARTH HARNESS ASS'Y
QM2-2036-000	3 -	16	INNER COVER UNIT
QU1-2098-000	11 -	5	SPRING, HOOK END COIL
QY6-0053-000	1 -	6	PRINT HEAD
QY6-0055-000	1 -	6	PRINT HEAD
QY6-0058-000	1 -	6	PRINT HEAD
QY9-0035-000	T -	1	GREASE, MOLYKOTE HP300
QY9-0037-000	T -	3	GREASE, FU-1
QY9-0057-000	T -	2	LUBE, FLOIL KG107A, OIL
WE8-5972-000	6 -	1	FERRITE CORE
WG8-5624-000	11 -	13	OPT. PHOTO INTERRUPTER
WT3-5156-000	1 -	5	CORD, POWER
WT3-5160-000	1 -	5	CORD, POWER
WT3-5182-000	1 -	5	CORD, POWER
XA9-1258-000	S -	3	SCREW, TAP, WASHER HEAD, M3X12
XA9-1437-000	S -	6	SCREW, BIND, M2.6X4(RE D)
XB1-2200-505	S -	5	SCREW, MACH, TRUSS HEAD, M2X5
XB1-2300-405	S -	1	SCREW, MACH.BH, M3X4
XB4-7300-805	S -	2	SCREW, TP, BH3X8
XB6-7300-605	S -	4	SCREW, MACHINE, WASHER HEAD, M3x6