

# PIXMS iP6220D

## PARTS CATALOG

REVISION 0

0011B001AA	PIXMA iP6220D/ 120V(US)
0011B002AA	PIXMA iP6220D/ 120V(CA)
0011B003AA	PIXMA iP6220D/ 120V(LAM LVT)
0011B004AA	PIXMA iP6220D/ 220V-240V(LAN HVT)
0011B006AA	PIXMA iP6220D/ 220V-240V(EUM)
0011B007AA	PIXMA iP6220D/ 220V-240V(EMB)
0011B008AA	PIXMA iP6220D/ 220V-240V(ASA HVT)
0011B009AA	PIXMA iP6220D/ 220V-240V(AU)
0011B010AA	PIXMA iP6220D/ 220V-240V(KR)
0011B011AA	PIXMA iP6220D/ 100V(GB)

[www.drukparts.pl](http://www.drukparts.pl)

**Canon**

AUG. 2005

**QY8-31CD-000**

COPYRIGHT © 2005 CANON INC. CANON PIXMA iP6220D 0805 N 0.00-0

## Application

This manual has been issued by Canon Inc. for qualified person to learn technical theory, installation, maintenance, and repair of products. This manual covers all localities where the products are sold. For this reason, there may be information in this manual that does not apply to your locality.

## Corrections

This manual could include technical inaccuracies or typographical errors due to improvements or changes in the products. When changes occur in applicable products or in the content of this manual, Canon will release technical information as the need arises. In the event of major changes in the contents of this manual over a long or short period, Canon will issue a new editions of this manual. The following paragraph does not apply to any countries where such provisions are inconsistent with local law.

## Trademarks

The product names and company names described in this manual are the registered trademarks of the individual companies.

## Copyright

This manual is copyrighted with all rights reserved. Under the copyright laws, this manual may not be copied, reproduced or translated into another language, in whole or in part, without the written consent of Canon Inc.

Copyright © 2005 by Canon Inc.

CANON INC.

Inkjet Device Quality Assurance Div. 1

451, Tsukagoshi, 3-chome, Saiwai-ku, Kawasaki-shi, Kanagawa 213-8512, Japan

This manual was created under Microsoft® Windows® 2000.

Parts layout pictures were edited using Adobe® Photoshop® 7.0. KEY No. were created using Adobe® Illustrator® 10.

HTML files were created using Microsoft® FrontPage® 2000.

www.druckparts.pl

## ABOUT THIS MANUAL

### A. ILLUSTRATION INDEX

For illustration index, the parts layout illustrations in this parts catalog are listed in abbreviated form in order of illustration number to identify the pages they appear on. To find an illustration of a part, see the ILLUSTRATION INDEX.

### B. PARTS LAYOUT & PARTS LIST

Parts layout illustration

#### a) Parts search

Find a part from the parts layout illustration and find its key number from the parts list to identify the part number and name. For screws, nuts, washers, lock washers, pins, spacers, see SCREWS & WASHERS LIST.

Note: If parts have the same or similar shape but different specifications, their key number is assigned to several part numbers and names in the parts list.

#### b) Parts replacement procedure

To replace parts, the parts layout illustrations have figure numbers according to the disassembly procedure of the product. The parts that require careful work are shown in the illustration.

Parts list

#### a) FIGURE & KEY No.

The FIGURE & KEY No. column corresponds to the key numbers assigned to the parts in the parts layout illustration.

#### b) PART NUMBER

The PART NUMBER column gives the part numbers corresponding to the key numbers. To order a part, indicate the part number clearly.

Note: Parts marked NPN are not service parts.

#### c) RANK

The service parts with N in the RANK column are order parts.

#### d) QTY

The QTY column gives the number of parts in the corresponding components layout illustration.

#### e) DESCRIPTION

The DESCRIPTION column gives the part names in English.

To order a part, indicate the part name, too.

### C. OPTIONS & CONSUMABLES

These are illustrations and a list of parts that can be used as optional consumable equipments.

### D. SCREWS & WASHERS LIST

This is a list of screws, nuts, washers, lock washers, pins, and spacers.

The QTY column does not give the number of parts used.

### E. TOOL LIST

This is a list of tools used for servicing products.

### F. NUMERICAL INDEX

All the parts listed in this parts catalog are arranged in order of part number. You can identify part locations and names from the NUMERICAL INDEX.

## Contents

- A. ILLUSTRATION INDEX ▶
- B. PARTS LAYOUT & PARTS LIST ▶
- C. OPTION & CONSUMABLES ▶
- D. SCREW & WASHER LIST ▶
- E. TOOL ▶
- F. NUMERICAL INDEX ▶

[www.drukparts.pl](http://www.drukparts.pl)

# A. ILLUSTRATION INDEX

Contents NUMERICAL INDEX

FIGURE 1 PACKING CONTENTS



FIGURE 2 AC ADAPTER



FIGURE 3 EXTERNAL COVERS

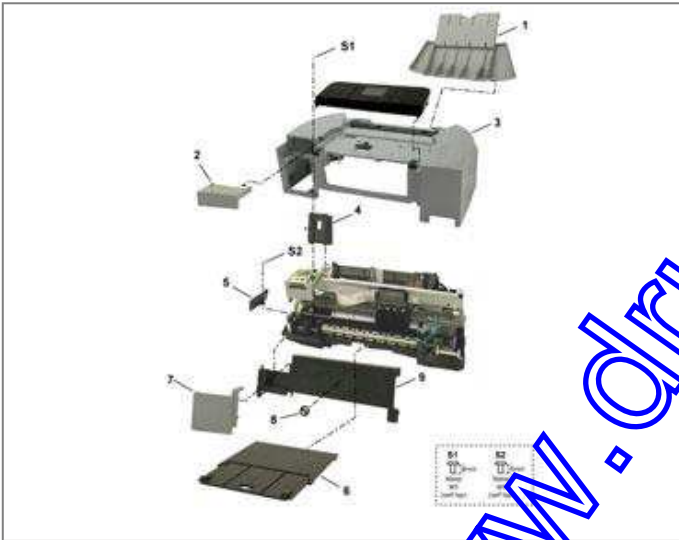


FIGURE 4 OPERATION PANEL UNIT

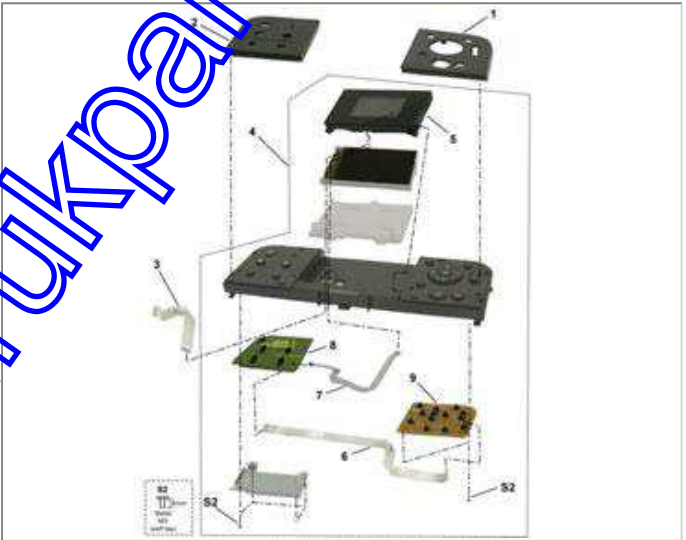


FIGURE 5 LOGIC BOARD ASS'Y & CARD BOARD ASS'Y

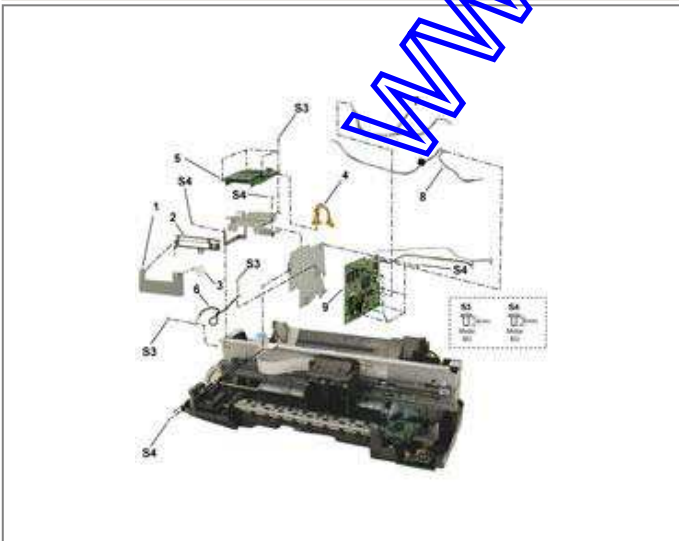


FIGURE 6 CARRIAGE UNIT

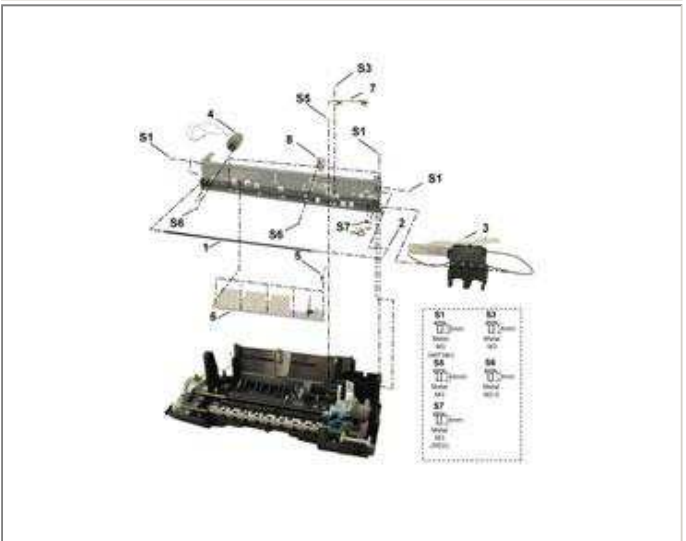


FIGURE 7 PAPER FEED PART

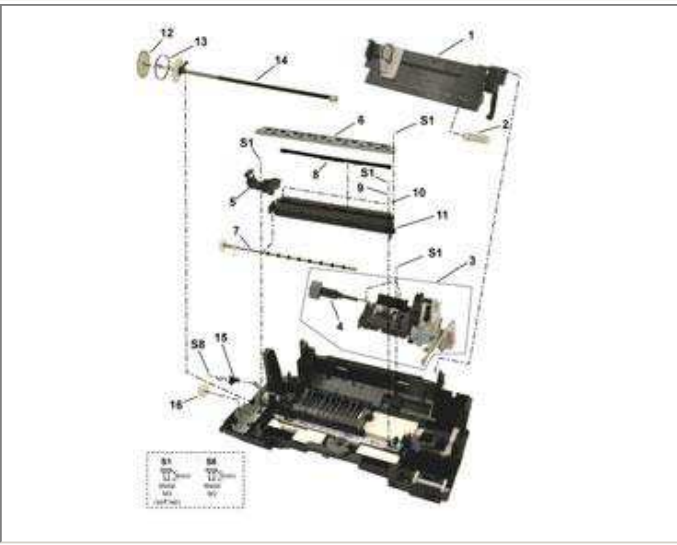


FIGURE 8 INK ABSORBER & DCD PART

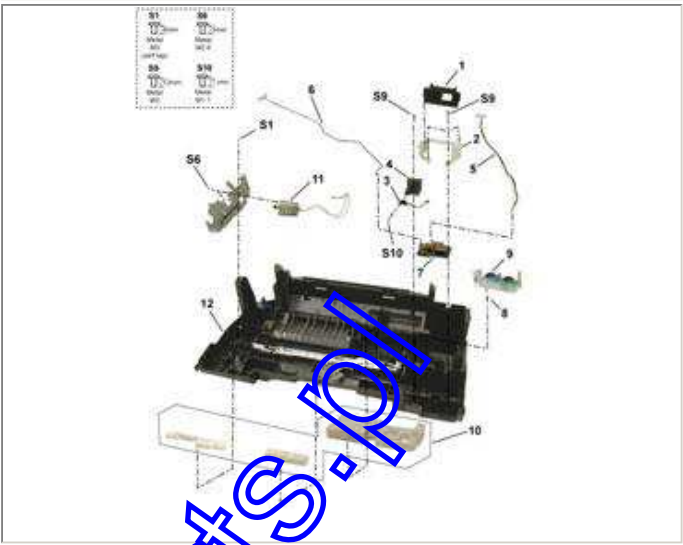
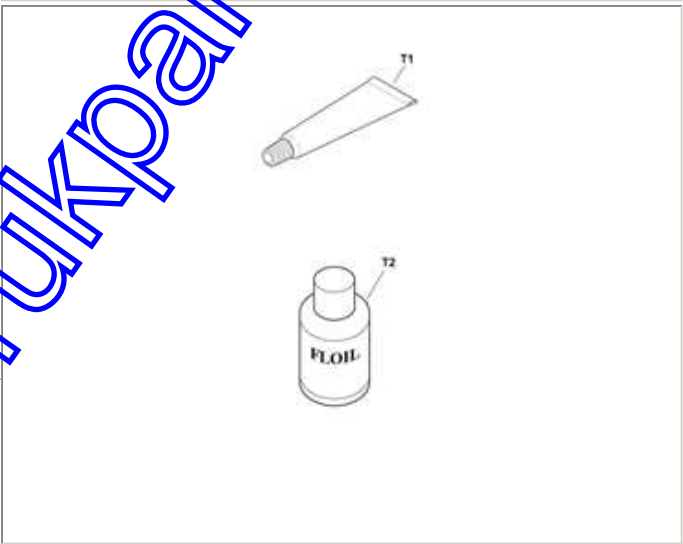


FIGURE 9 OPTION & CONSUMABLES



FIGURE 10 TOOL



www.drukparts.pl

This page intentionally left blank

[www.drukparts.pl](http://www.drukparts.pl)

## B. PARTS LAYOUT & PARTS LIST

Contents ILLUSTRATION INDEX NUMERICAL INDEX ▶

FIGURE 1 PACKING CONTENTS





FIGURE & KEY No.		PART NUMBER	RANK	QTY	DESCRIPTION	REMARKS
1 -	1	QK1-0278-000		1	CORD, POWER	100V-120V
		QK1-0279-000		1	CORD, POWER	220V-240V
		QK1-1061-000		1	CORD, POWER	220V-240V(AU)
		QK1-1903-000		1	CORD, POWER	120V(LAM-LV)
		WT3-5156-000		1	CORD, POWER	220V-240V(GB, HK)
		WT3-5160-000		1	CORD, POWER	220V-240V(KR)
	2	QC1-8391-000		1	LABEL, PANEL	LAM LVT, LAM HVT, EUM, EMB

[www.drukparts.pl](http://www.drukparts.pl)

FIGURE 2 AC ADAPTER



FIGURE & KEY No.		PART NUMBER	RANK	QTY	DESCRIPTION	REMARKS
2 -	1	QK1-1860-000		1	AC ADAPTER: 100V-240V 50/60HZ	

[www.drukparts.pl](http://www.drukparts.pl)

FIGURE 3 EXTERNAL COVERS

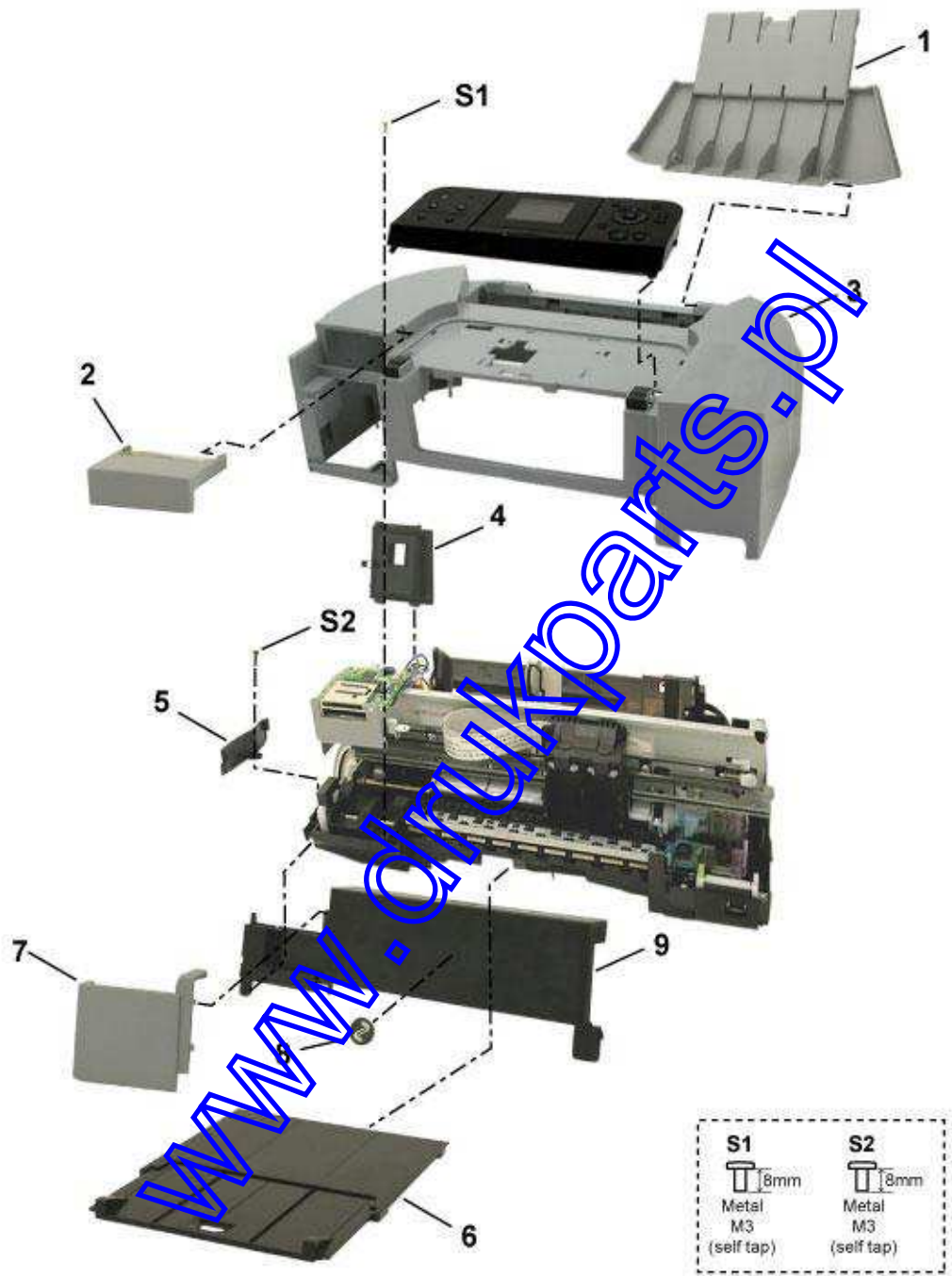


FIGURE & KEY No.		PART NUMBER	RANK	QTY	DESCRIPTION	REMARKS
3 -	1	QM2-3323-000		1	PAPER SUPPORT UNIT	
	2	QC1-7519-000		1	COVER, HEAD ACCESS	
	3	QM2-3338-000		1	MAIN CASE ASS'Y	
	4	QC1-7509-000		1	COVER, I/F	
	5	QC1-7508-000		1	COVER, SIDE L	
	6	QM2-3325-000		1	EJECT TRAY UNIT	
	7	QL2-1279-000		1	CARD SLOT COVER ASS'Y	
	8	QC1-5005-000		1	EMBLEM(E)	
	9	QL2-1281-000		1	FRONT COVER ASS'Y	

[www.drukparts.pl](http://www.drukparts.pl)

FIGURE 4 OPERATION PANEL UNIT



FIGURE & KEY No.		PART NUMBER	RANK	QTY	DESCRIPTION	REMARKS
4 -	1	QC1-7544-000		1	COVER, TOP(R)	US, CA, ASA HVT, AU, KR
		QC1-7546-000		1	COVER, TOP(R)	LAM LVT, LAM HVT, EUM, EMB, GB
	2	QC1-7543-000		1	COVER, TOP(L)	US, CA, ASA HVT, AU, KR
		QC1-7545-000		1	COVER, TOP(L)	LAM LVT, LAM HVT, EUM, EMB, GB
	3	QK1-1629-000		1	CABLE, PANEL	
	4	QM2-3326-000		1	OPERATION PANEL UNIT	
	5	QM3-0075-000		1	LCD COVER UNIT	
	6	QK1-1627-000		1	CABLE, SWITCH / PANEL	
	7	QK1-1630-000		1	CABLE, LCD	
	8	QM2-2843-000		1	SWITCH BOARD ASS'Y	
	9	QM2-2844-000		1	PANEL BOARD ASS'Y	

[www.drukparts.pl](http://www.drukparts.pl)

FIGURE 5 LOGIC BOARD ASS'Y & CARD BOARD ASS'Y

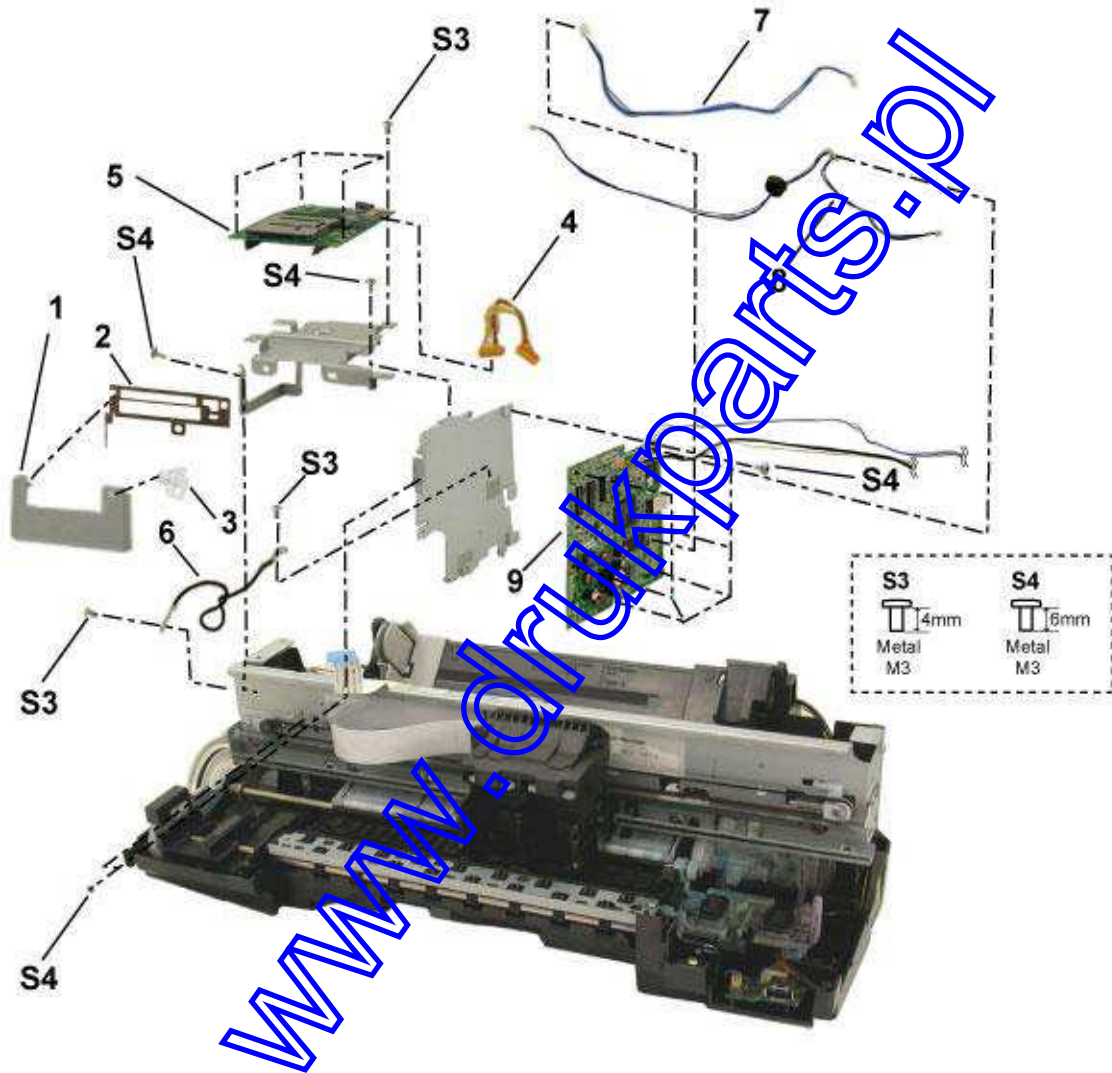




FIGURE & KEY No.		PART NUMBER	RANK	QTY	DESCRIPTION	REMARKS
5 -	1	QC1-7521-000		1	COVER, CARD SLOT, INNER	
	2	QC1-7523-000		1	PLATE, CARD SLOT	
	3	QC1-7524-000		1	GUIDE, LIGHT	
	4	QM2-2861-000		1	CARD SLOT HARNESS ASS'Y	
	5	QM2-3304-000		1	CARD BOARD ASS'Y	
	6	QM2-2856-000		1	GROUNDING HARNESS ASS'Y	
	7	QM2-2868-000		1	DC CONNECTOR ASS'Y	
	8	QM2-2864-000		1	ASF-PE SENSOR HARNESS ASS'Y	
	9	QM2-2840-000		1	LOGIC BOARD ASS'Y	

[www.drukparts.pl](http://www.drukparts.pl)

FIGURE 6 CARRIAGE UNIT

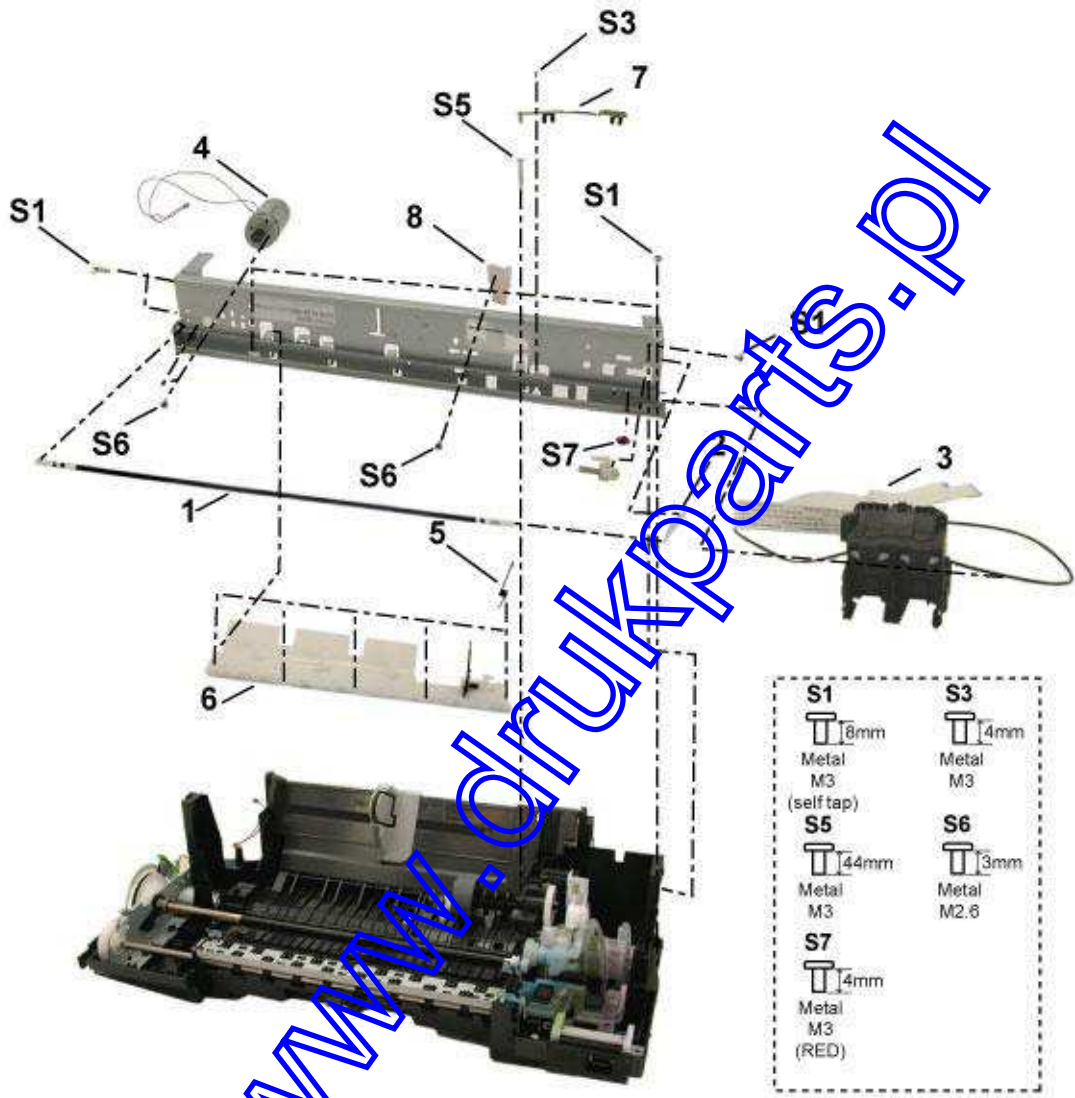


FIGURE & KEY No.		PART NUMBER	RANK	QTY	DESCRIPTION	REMARKS
6 -	1	QC1-6015-000		1	FILM, TIMING SLIT STRIP	
	2	QC1-6016-000		1	SPRING, TIMING SLIT STRIP FILM	
	3	QM2-3332-000		1	CARRIAGE UNIT	
	4	QM2-2865-000		1	CARRIAGE MOTOR UNIT	
	5	QC1-6054-000		5	SPRING, TORSION	
	6	QM2-3337-000		1	PRESSURE ROLLER ASS'Y	
	7	QM2-2855-000		1	PE ASF SENSOR UNIT	
	8	QC1-6055-000		1	BUSHING	

[www.drukparts.pl](http://www.drukparts.pl)

FIGURE 7 PAPER FEED PART

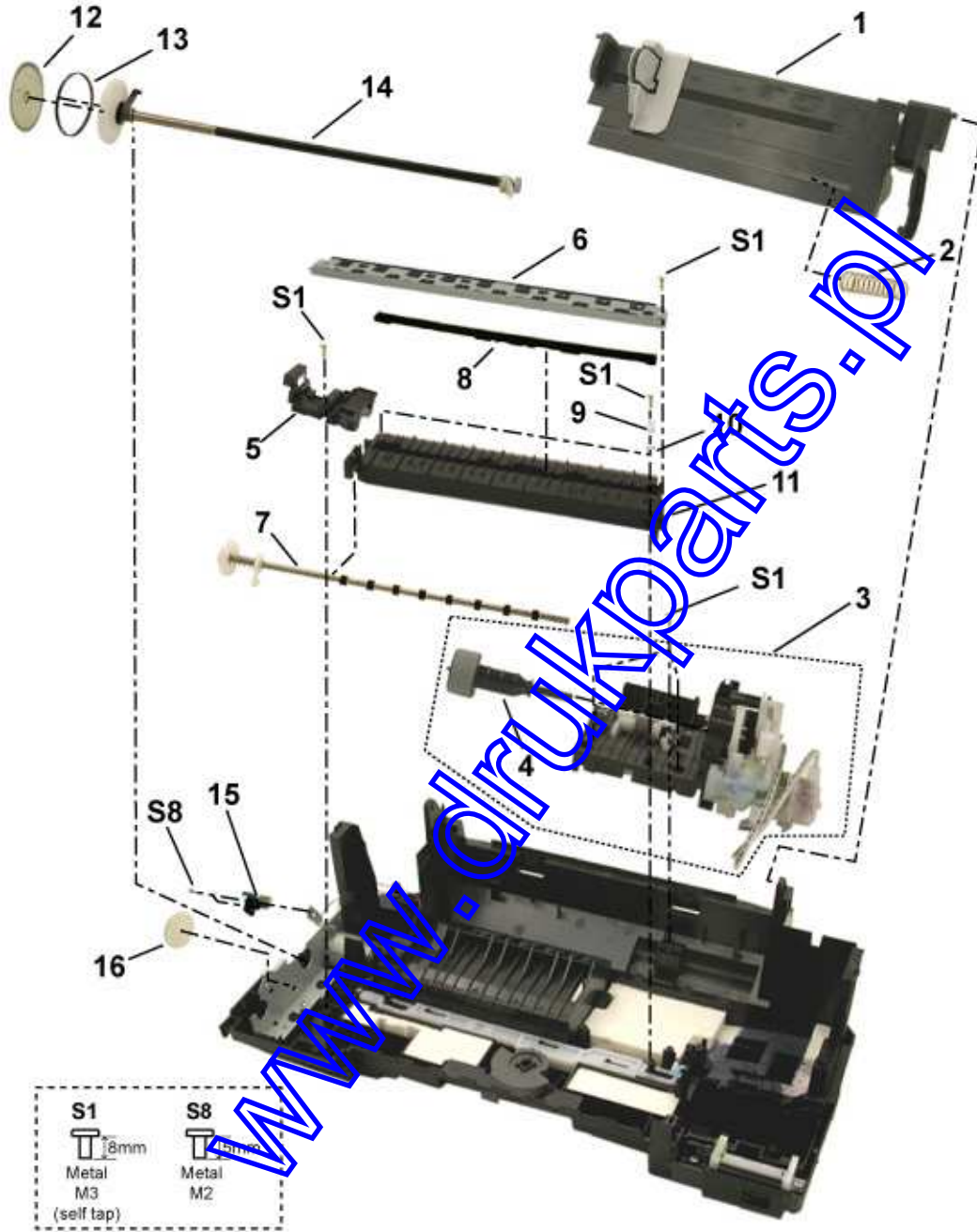


FIGURE & KEY No.		PART NUMBER	RANK	QTY	DESCRIPTION	REMARKS
7 -	1	QM2-2129-000		1	PRESSING PLATE ASS'Y	
	2	QS4-2150-000		1	SPRING, COMPRESSION	
	3	QM2-3333-000		1	DRIVE ASS'Y	
	4	QM2-2133-000		1	PICK UP ROLLER ASS'Y	
	5	QC1-7527-000		1	GUIDE, HEAD	
	6	QM2-3340-000		1	SPUR BASE ASS'Y	
	7	QL2-1284-000		1	FEED ROLLER ASS'Y	
	8	QC1-6014-000		1	ABSORBER, INK, PLATEN	
	9	QC1-6096-000		2	SPRING, PLATEN	
	10	QC1-6121-000		2	WASHER	
	11	QC1-7503-000		1	PLATEN	
	12	QC1-4962-000		1	FILM, TIMING SLIT DISK	
	13	QC1-5194-000		1	BELT, PAPER FEED	
	14	QL2-1283-000		1	EJECT ROLLER ASS'Y	
	15	QM2-2850-000		1	TIMING SENSOR UNIT	
	16	QC1-6012-000		1	GEAR, EJECT IDLER	

[www.drukparts.pl](http://www.drukparts.pl)

FIGURE 8 INK ABSORBER & DCD PART

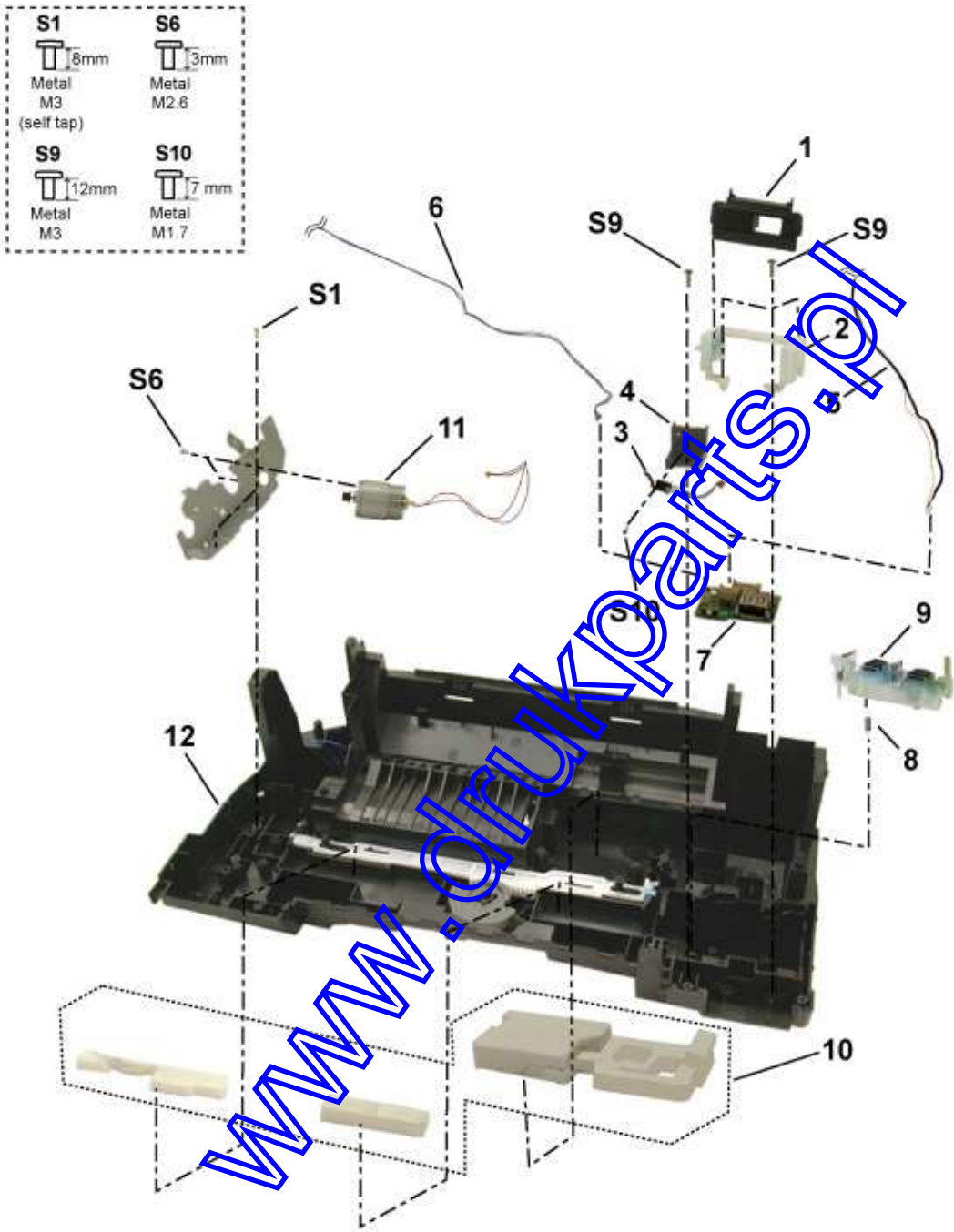


FIGURE & KEY No.		PART NUMBER	RANK	QTY	DESCRIPTION	REMARKS
8 -	1	QC1-7512-000		1	COVER, DCD	
	2	QC1-7554-000		1	HOLDER, DCD	
	3	QM2-2867-000		1	COVER SWITCH ASS'Y	
	4	QC1-7555-000		1	HOLDER, DOOR SWITCH	
	5	QM2-2859-000		1	DCD HARNESS ASS'Y	
	6	QM2-2860-000		1	IR HARNESS ASS'Y	
	7	QM2-2851-000		1	DCD BOARD ASS'Y	
	8	QC1-6021-000		1	SPRING, CAP SLIDE	
	9	QM2-3330-000		1	CAP-BLADE UNIT	
	10	QY5-0148-000		1	ABSORBER KIT	
	11	QM2-2866-000		1	PAPER FEED MOTOR ASS'Y	
	12	QM2-3321-000		1	BOTTOM CASE UNIT	

[www.drukparts.pl](http://www.drukparts.pl)

FIGURE 9 OPTION & CONSUMABLES



[www.drumparts.pl](http://www.drumparts.pl)



FIGURE & KEY No.		PART NUMBER	RANK	QTY	DESCRIPTION	REMARKS
9 -	1	QY5-0155-000	N	1	BLUETOOTH UNIT, BU-20	
	2	QY5-0156-000	N	1	CAP, BU-20	
	3	NPN		1	COLOR INK CARTRIDGE CL51	
	4	NPN		1	PHOTO INK CARTRIDGE CL51	

[www.drukparts.pl](http://www.drukparts.pl)

## D. SCREW & WASHER LIST

[Contents](#)[NUMERICAL INDEX](#)

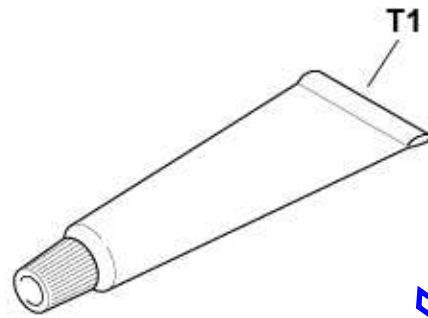
FIGURE & KEY No.		PART NUMBER	RANK	QTY	DESCRIPTION	REMARKS
S -	1	XA9-1493-000			SCREW, TP M3X8	
	2	XB4-7300-805			SCREW, TP, BH3X8	
	3	XB1-2300-405			SCREW, MACH.BH, M3X4	
	4	XB6-7300-605			SCREW, MACHINE, WASHER HEAD, M3x6	
	5	QC1-6108-000			SCREW, B-TIGHT M3X44	
	6	XB1-2260-305			SCREW, MACH. TRUSS HEAD, M2.6X3	
	7	XA9-1436-000			SCREW, TP, M3x4	
	8	XB1-2200-505			SCREW, MACH, TRUSS HEAD, M2X5	
	9	XB4-7301-205			SCREW, B-TIGHT, M3X12	
	10	XA4-4170-705			SCREW, M1.7X7	

[www.drukparts.pl](http://www.drukparts.pl)

This page intentionally left blank

[www.drukparts.pl](http://www.drukparts.pl)

FIGURE 10 TOOL



[www.drukparts.pl](http://www.drukparts.pl)

FIGURE & KEY No.		PART NUMBER	RANK	QTY	DESCRIPTION	REMARKS
T -	1	CK-0562-000		1	GREASE, MOLYKOTE PG-641	
	2	QY9-0057-000		1	LUBE, FLOIL KG107A, OIL	

[www.drukparts.pl](http://www.drukparts.pl)

# F. NUMERICAL INDEX

PART NUMBER	FIGURE & KEY No.	DESCRIPTION	PART NUMBER	FIGURE & KEY No.	DESCRIPTION
<a href="#">CK-0562-000</a>	T - 1	GREASE, MOLYKOTE PG-641	<a href="#">QM2-3321-000</a>	8 - 12	BOTTOM CASE UNIT
<a href="#">QC1-4962-000</a>	7 - 12	FILM, TIMING SLIT DISK	<a href="#">QM2-3323-000</a>	3 - 1	PAPER SUPPORT UNIT
<a href="#">QC1-5005-000</a>	3 - 8	EMBLEM(E)	<a href="#">QM2-3325-000</a>	3 - 6	EJECT TRAY UNIT
<a href="#">QC1-5194-000</a>	7 - 13	BELT, PAPER FEED	<a href="#">QM2-3326-000</a>	4 - 4	OPERATION PANEL UNIT
<a href="#">QC1-6012-000</a>	7 - 16	GEAR, EJECT IDLER	<a href="#">QM2-3330-000</a>	8 - 9	CAP-BLADE UNIT
<a href="#">QC1-6014-000</a>	7 - 8	ABSORBER, INK, PLATEN	<a href="#">QM2-3332-000</a>	6 - 3	CARRIAGE UNIT
<a href="#">QC1-6015-000</a>	6 - 1	FILM, TIMING SLIT STRIP	<a href="#">QM2-3333-000</a>	7 - 3	DRIVE ASS'Y
<a href="#">QC1-6016-000</a>	6 - 2	SPRING, TIMING SLIT STRIP FILM	<a href="#">QM2-3337-000</a>	6 - 6	PRESSURE ROLLER ASS'Y
<a href="#">QC1-6021-000</a>	8 - 8	SPRING, CAP SLIDE	<a href="#">QM2-3338-000</a>	3 - 3	MAIN CASE ASS'Y
<a href="#">QC1-6054-000</a>	6 - 5	SPRING, TORSION	<a href="#">QM2-3340-000</a>	7 - 6	SPUR BASE ASS'Y
<a href="#">QC1-6055-000</a>	6 - 8	BUSHING	<a href="#">QM3-0075-000</a>	4 - 5	LCD COVER UNIT
<a href="#">QC1-6096-000</a>	7 - 9	SPRING, PLATEN	<a href="#">QS4-2150-000</a>	7 - 2	SPRING, COMPRESSION
<a href="#">QC1-6108-000</a>	S - 5	SCREW, B-TIGHT M3X44	<a href="#">QY5-0148-000</a>	8 - 10	ABSORBER KIT
<a href="#">QC1-6121-000</a>	7 - 10	WASHER	<a href="#">QY5-0155-000</a>	9 - 1	BLADE TOOTH UNIT, BU-20
<a href="#">QC1-7503-000</a>	7 - 11	PLATEN	<a href="#">QY5-0156-000</a>	9 - 2	CAP, BU-20
<a href="#">QC1-7508-000</a>	3 - 5	COVER, SIDE L	<a href="#">QY9-0057-000</a>	T - 2	LUBE, FLOI, PG107A, OIL
<a href="#">QC1-7509-000</a>	3 - 4	COVER, I/F	<a href="#">WT3-5156-000</a>	1 -	CORD, POWER
<a href="#">QC1-7512-000</a>	8 - 1	COVER, DCD	<a href="#">WT3-5160-000</a>	1 -	CORD, POWER
<a href="#">QC1-7519-000</a>	3 - 2	COVER, HEAD ACCESS	XA4-4170-705	8 - 10	SCREW, M1.7X7
<a href="#">QC1-7521-000</a>	5 - 1	COVER, CARD SLOT, INNER	XA9-1436-000	5 - 7	SCREW, TP, M3x4
<a href="#">QC1-7523-000</a>	5 - 2	PLATE, CARD SLOT	XA9-1493-000	5 - 1	SCREW, TP M3X8
<a href="#">QC1-7524-000</a>	5 - 3	GUIDE, LIGHT	XB1-2200-505	5 - 8	SCREW, MACH, TRUSS HEAD, M2X5
<a href="#">QC1-7527-000</a>	7 - 5	GUIDE, HEAD	XB1-2260-305	5 - 6	SCREW, MACH. TRUSS HEAD, M2.6X3
<a href="#">QC1-7543-000</a>	4 - 2	COVER, TOP(L)	XB1-2300-805	5 - 3	SCREW, MACH.BH, M3X4
<a href="#">QC1-7544-000</a>	4 - 1	COVER, TOP(R)	XB4-7300-805	S - 2	SCREW, TP, BH3X8
<a href="#">QC1-7545-000</a>	4 - 2	COVER, TOP(L)	XB4-7401-205	S - 9	SCREW, B-TIGHT, M3X12
<a href="#">QC1-7546-000</a>	4 - 1	COVER, TOP(R)	XB6-1300-605	S - 4	SCREW, MACHINE, WASHER HEAD, M3x6
<a href="#">QC1-7554-000</a>	8 - 2	HOLDER, DCD			
<a href="#">QC1-7555-000</a>	8 - 4	HOLDER, DOOR SWITCH			
<a href="#">QC1-8391-000</a>	1 - 2	LABEL, PANEL			
<a href="#">QK1-0278-000</a>	1 - 1	CORD, POWER			
<a href="#">QK1-0279-000</a>	1 - 1	CORD, POWER			
<a href="#">QK1-1061-000</a>	1 - 1	CORD, POWER			
<a href="#">QK1-1627-000</a>	4 - 6	CABLE, SWITCH / PANEL			
<a href="#">QK1-1629-000</a>	4 - 3	CABLE, PANEL			
<a href="#">QK1-1630-000</a>	4 - 7	CABLE, LCD			
<a href="#">QK1-1860-000</a>	2 - 1	AC ADAPTER: 100V-240V 50/60Hz			
<a href="#">QK1-1903-000</a>	1 - 1	CORD, POWER			
<a href="#">QL2-1279-000</a>	3 - 7	CARD SLOT COVER ASS'Y			
<a href="#">QL2-1281-000</a>	3 - 9	FRONT COVER ASS'Y			
<a href="#">QL2-1283-000</a>	7 - 14	EJECT ROLLER ASS'Y			
<a href="#">QL2-1284-000</a>	7 - 7	FEED ROLLER ASS'Y			
<a href="#">QM2-2129-000</a>	7 - 1	PRESSING PLATE ASS'Y			
<a href="#">QM2-2133-000</a>	7 - 4	PICK UP ROLLER ASS'Y			
<a href="#">QM2-2840-000</a>	5 - 9	LOGIC BOARD ASS'Y			
<a href="#">QM2-2843-000</a>	4 - 8	SWITCH BOARD ASS'Y			
<a href="#">QM2-2844-000</a>	4 - 9	PANEL BOARD ASS'Y			
<a href="#">QM2-2850-000</a>	7 - 15	TIMING SENSOR UNIT			
<a href="#">QM2-2851-000</a>	8 - 7	DCD BOARD ASS'Y			
<a href="#">QM2-2855-000</a>	6 - 7	PE ASF SENSOR UNIT			
<a href="#">QM2-2856-000</a>	5 - 6	GROUNDING HARNESS ASS'Y			
<a href="#">QM2-2859-000</a>	8 - 5	DCD HARNESS ASS'Y			
<a href="#">QM2-2860-000</a>	8 - 6	IR HARNESS ASS'Y			
<a href="#">QM2-2861-000</a>	5 - 4	CARD SLOT HARNESS ASS'Y			
<a href="#">QM2-2864-000</a>	5 - 8	ASF-PE SENSOR HARNESS ASS'Y			
<a href="#">QM2-2865-000</a>	6 - 4	CARRIAGE MOTOR UNIT			
<a href="#">QM2-2866-000</a>	8 - 11	PAPER FEED MOTOR ASS'Y			
<a href="#">QM2-2867-000</a>	8 - 3	COVER SWITCH ASS'Y			
<a href="#">QM2-2868-000</a>	5 - 7	DC CONNECTOR ASS'Y			
<a href="#">QM2-3304-000</a>	5 - 5	CARD BOARD ASS'Y			