

brother®

LASER PRINTER

PARTS REFERENCE LIST

MODEL:MFC-P2000/HL-P2000

www.drukparts.pl

MECHANISMS & ELECTRONICS

NOTE FOR USING THIS PARTS REFERENCE LIST

1. In the case of ordering parts, it needs mentioning the following items:

- (1) Code
- (2) Q'ty
- (3) Description
- (4) Symbol (PCB No., Revision , and Parts location mounted on the PCB.)

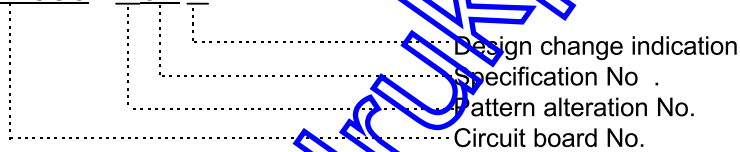
Note : No orders without Parts Code or Tool No. can be accepted.

< Example >

REF.NO.	CODE	Q'TY	DESCRIPTION	SYMBOL	REMARK

Revision No.: marked on the **main printed circuit board**

B48K056 - 201A



Revision No.: marked on the **power supply printed circuit board**.

Rev. A



2. Design-changed parts :

If the parts are changed, any one of the following symbols is indicated in the REMARKS column.

- #A : compatible between old and new
- #B : replaceable from old to new
- #D : incompatible
- # : newly established

3. The original of this list was made based on the information available in August, 1998.

4. Parts are subject to change in design without prior notice.

CONTENTS

1. DRIVE UNIT	1
2. DOCUMENT SCANNER UNIT	1
3. SCANNER PANEL UNIT	3
4. LASER UNIT.....	5
5. MP SHEET FEEDER.....	5
6. FIXING UNIT	9
7. COVERS.....	7
8. MAIN PCB	9
9. PANEL SENSOR PCB.....	11
10. POWER SUPPLY PCB.....	11
11. HIGH VOLTAGE POWER SUPPLY PCB	13
12. AC CORD	13
13. ACCESSORIES	15
14. PACKING MATERIALS	15

www.drukparts.pl

1. DRIVE UNIT

REF.NO.	CODE	Q'TY	DESCRIPTION	REMARK
1	UL8747001	1	DRIVE UNIT ASSY (SP)	
2	087412016	3	TAPTITE, CUP B M4X20	
3	085411215	1	TAPTITE, BIND B M4X12	
4	UL7964001	1	MAIN MOTOR ASSY	
5	UL7968001	1	SUB MOTOR ASSY	
6	085320616	4	TAPTITE, BIND S M3X6	

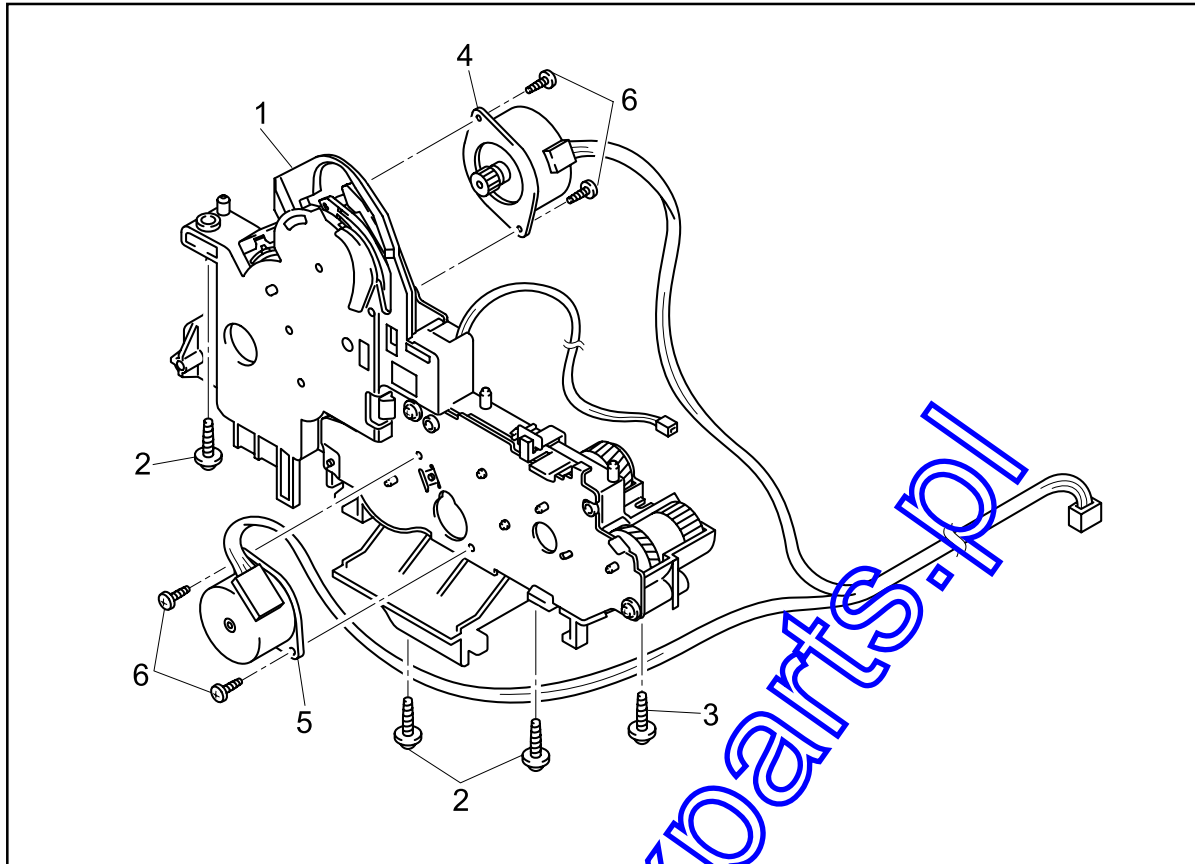
MODEL MFC-P2000/HL-P2000 84U-901-010

2. DOCUMENT SCANNER UNIT

REF.NO.	CODE	Q'TY	DESCRIPTION	SYMBOL	REMARK
1-4	UH3809001	1	SCANNER FRAME ASSY		
1	UH3811001	1	SCANNER DRIVE UNIT ASSY		
2	0A4300605	1	SCREW PAN(S/P WASHER), M3X6		
3	087310815	2	TAPTITE, CUP B M3X8		
4	UU7031001	1	SEPARATION ROLLER		
5	UG4601001	1	CIS98 YL2		
6	UU7035001	2	CIS BACK-UP SPRING		
7	UU7036001	1	CIS FILM		
8	UH3893001	1	LF ROLLER ASSY		
9	UH3894001	1	DOCUMENT EJECT ROLLER ASSY		
10	UF7187001	1	GEAR SHIELD FILM		
11	087310815	4	TAPTITE, CUP B M3X8		
12	UK4161001	1	MOTOR FRAME FG HARNESS ASSY		

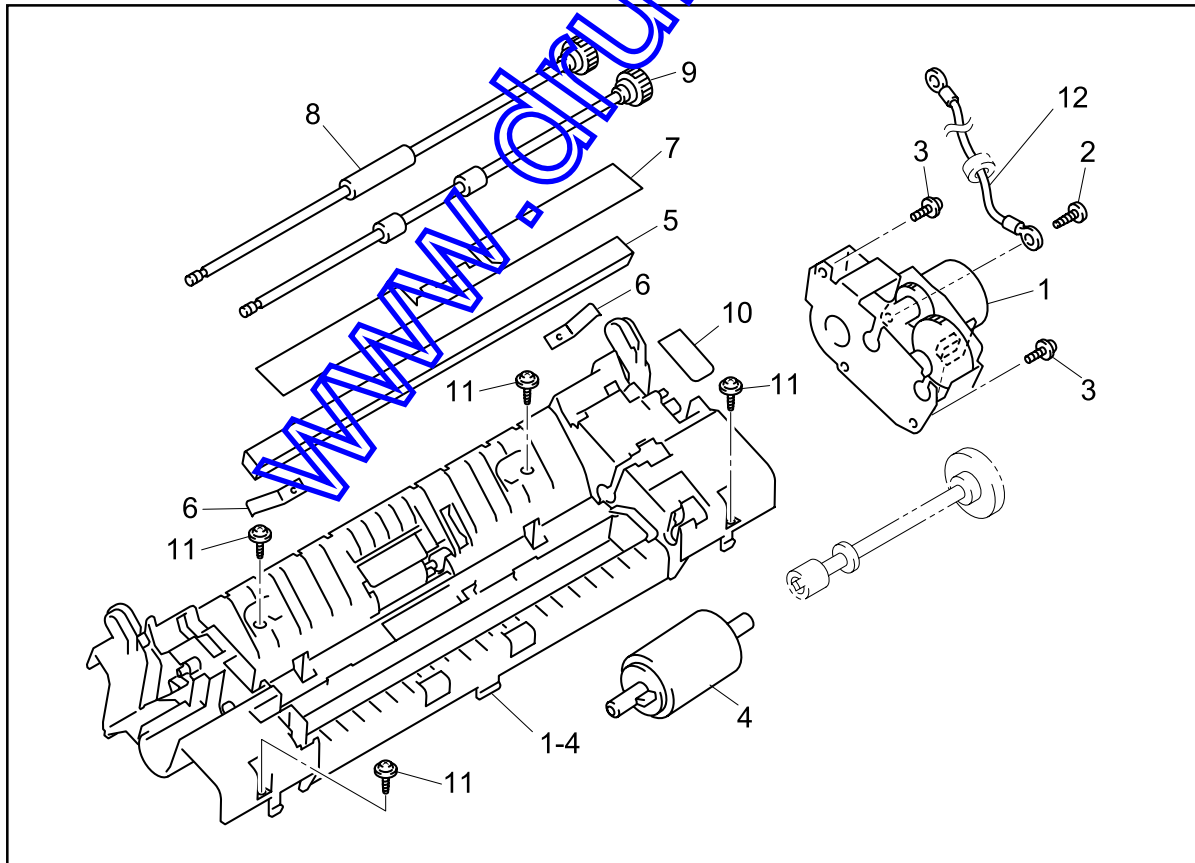
MODEL MFC-P2000/HL-P2000 84U-901-015

1. DRIVE UNIT



MODEL MFC-P2000/HL-P2000 84U-901-010

2. DOCUMENT SCANNER UNIT



MODEL MFC-P2000/HL-P2000 84U-901-015

3. SCANNER PANEL UNIT

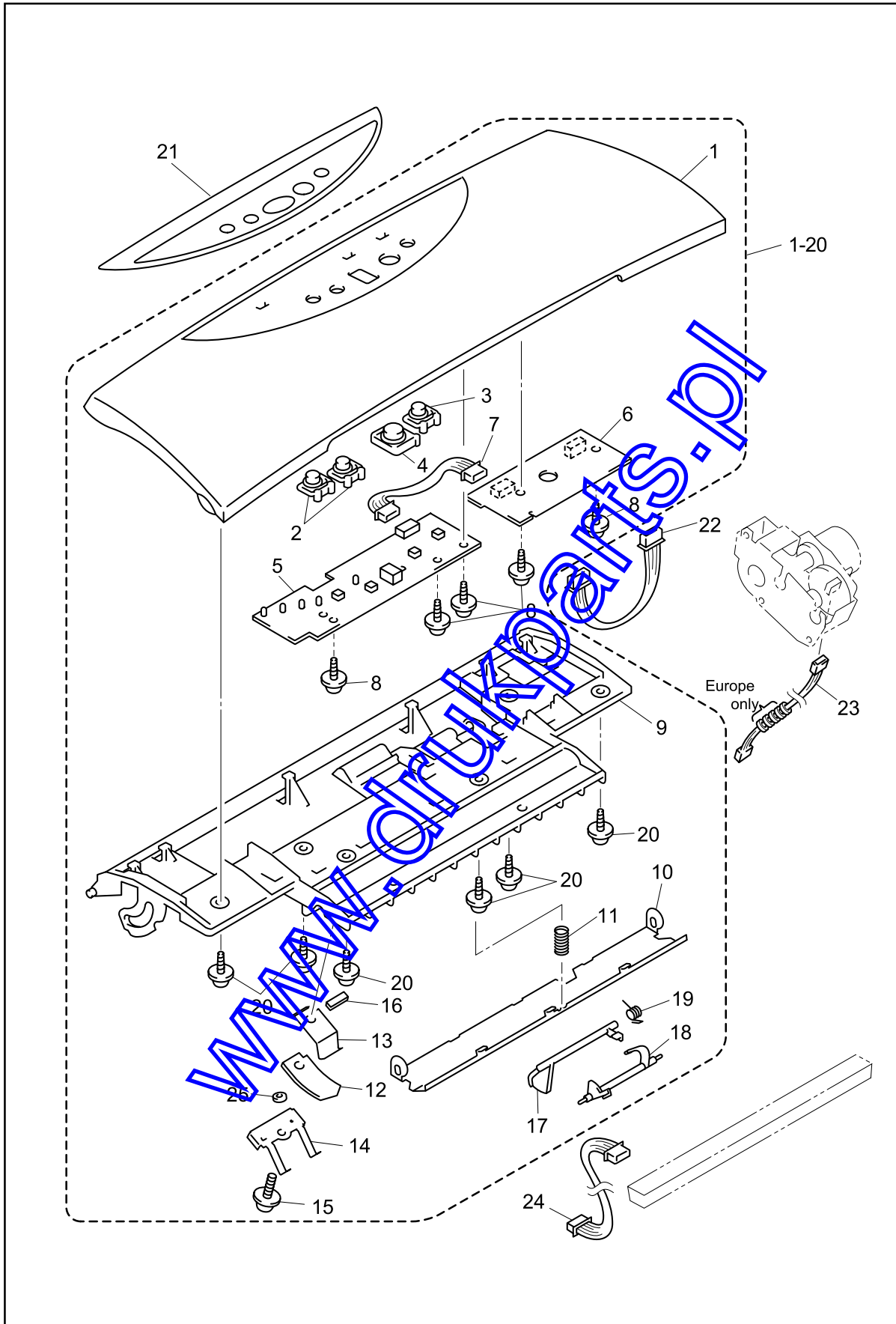
REF.NO.	CODE	Q'TY	DESCRIPTION	SYMBOL	REMARK
1-20	UH3900001	1	SCANNER PANEL UNIT ASSY (SP)		
1	UH3820001	1	SCANNER PANEL		
2	UH3823001	2	KEY TOP (GRAY)		
3	UH3823002	1	KEY TOP (ORANGE)		
4	UH3822001	1	START KEY (BLUE)		
5	UK4258001	1	SCANNER PANEL PCB ASSY (SP)	B512019	
6	UK4257001	1	SCANNER SENSOR PCB ASSY (SP)	B512020	
7	UK3989001	1	SCANNER PANEL HARNESS ASSY		
8	087310616	5	TAPTITE, CUP B M3X6		
9	UH3824001	1	SCANNER PANEL REAR COVER		
10	UH3779001	1	DOCUMENT PRESSURE BAR ASSY (SP)		
11	UU7147001	1	DOCUMENT PRESSURE BAR SPRING		
12	UH3767001	1	SEPARATION RUBBER ML ASSY		
13	UU7105001	1	ADF SPRING PLATE		
14	UU7106001	1	FRONT SPRING PLATE		
15	UF5034001	1	TAPTITE, PAN B M3X6		
16	UU7285001	1	VIBRATION-PROOF RUBBER		
17	UU7107001	1	ACTUATOR F		
18	UU7108001	1	ACTUATOR R		
19	UH3897001	1	HELICAL TORSION SPRING		
20	087310815	6	TAPTITE, CUP B M3X8		
21	UH3821001	1	PANEL SHEET, US		
21	UH3848001	1	PANEL SHEET, EU		
21	UH3754001	1	PANEL SHEET, CANADA DX		
21	UH4002001	1	PANEL SHEET, LEG		
22	UH3853001	1	SENSOR HARNESS ASSY		
23	UK4264001	1	R MOTOR HARNESS ASSY		
23	UK4321001	1	R MOTOR HARNESS ASSY		
24	UH3855001	1	CIS HARNESS ASSY		
25	026030135	1	WASHER, PLAIN S3		

www.drumparts.pl

MODEL MFC-P2000/HL-P2000 84U-901/902-016

T/I NO. PR98227 / PR98242 / PR98303

3. SCANNER PANEL UNIT



MODEL MFC-P2000/HL-P2000 84U-901-016

T/I No. PR98227 / PR98242

4. LASER UNIT

REF.NO.	CODE	Q'TY	DESCRIPTION	SYMBOL	REMARK
1	UL8748001	1	LASER UNIT Y (SP)	(B48K226)	
2	085411215	3	TAPTITE, BIND B M4X12		
3	UL8759001	1	TONER SENSOR PCB ASSY	B48K231	
3	UK4326001	1	TONER SENSOR PCB ASSY EU	B48K231	
3	UL8810001	1	TONER SENSOR PCB ASSY LEG	B512028	
4	087310815	1	TAPTITE, CUP B M3X8		
4	084311015	1	TAPTITE, SARA B M3X10 (LEGEND)		
5	UH3064001	1	S SEAL SPONGE 4		

MODEL MFC-P2000/HL-P2000 84U-901/902-020

T/I NO. PR98228 / PR98303

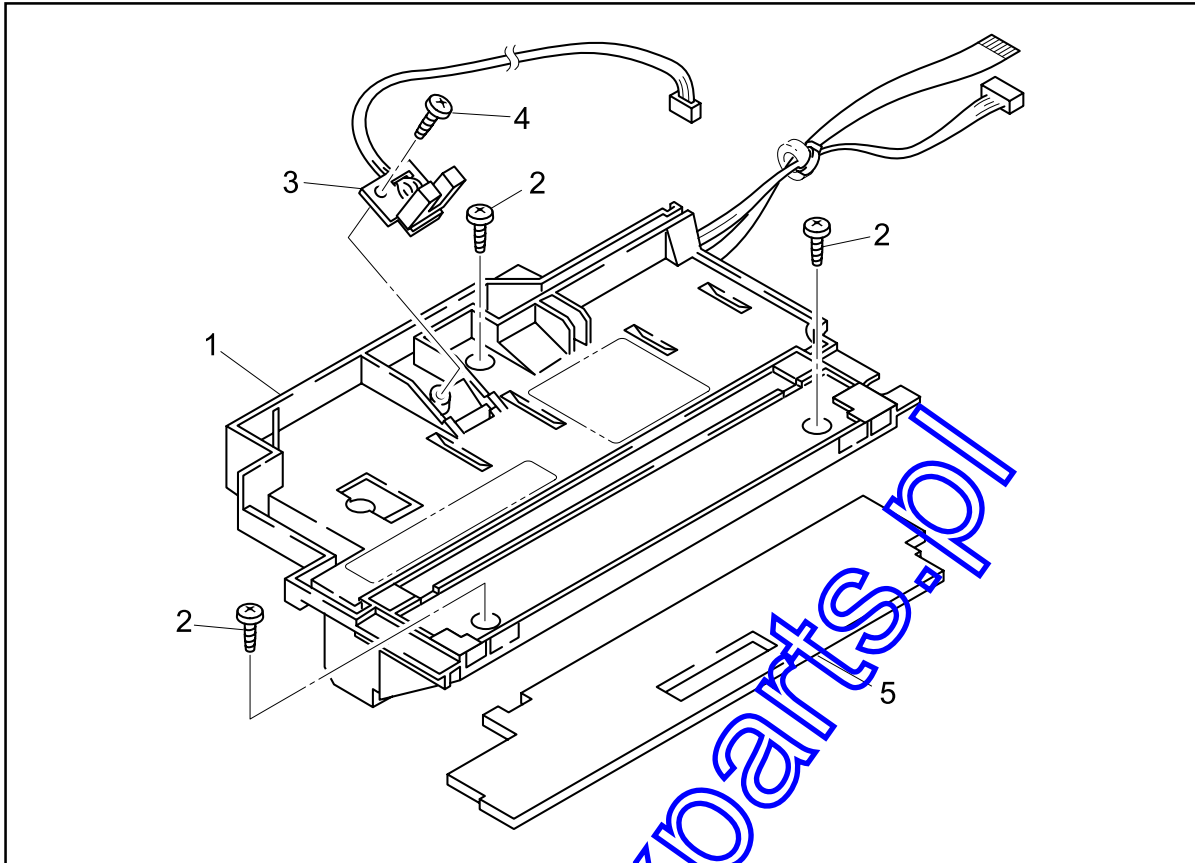
5. MP SHEET FEEDER

REF.NO.	CODE	Q'TY	DESCRIPTION	REMARK
1	UH3899001	1	MP REAR SHEET FEEDER ASSY (SP)	
1	UH4013001	1	MP REAR SHEET FEEDER ASSY LEG(SP)	

MODEL MFC-P2000/HL-P2000 84U-901/902-040

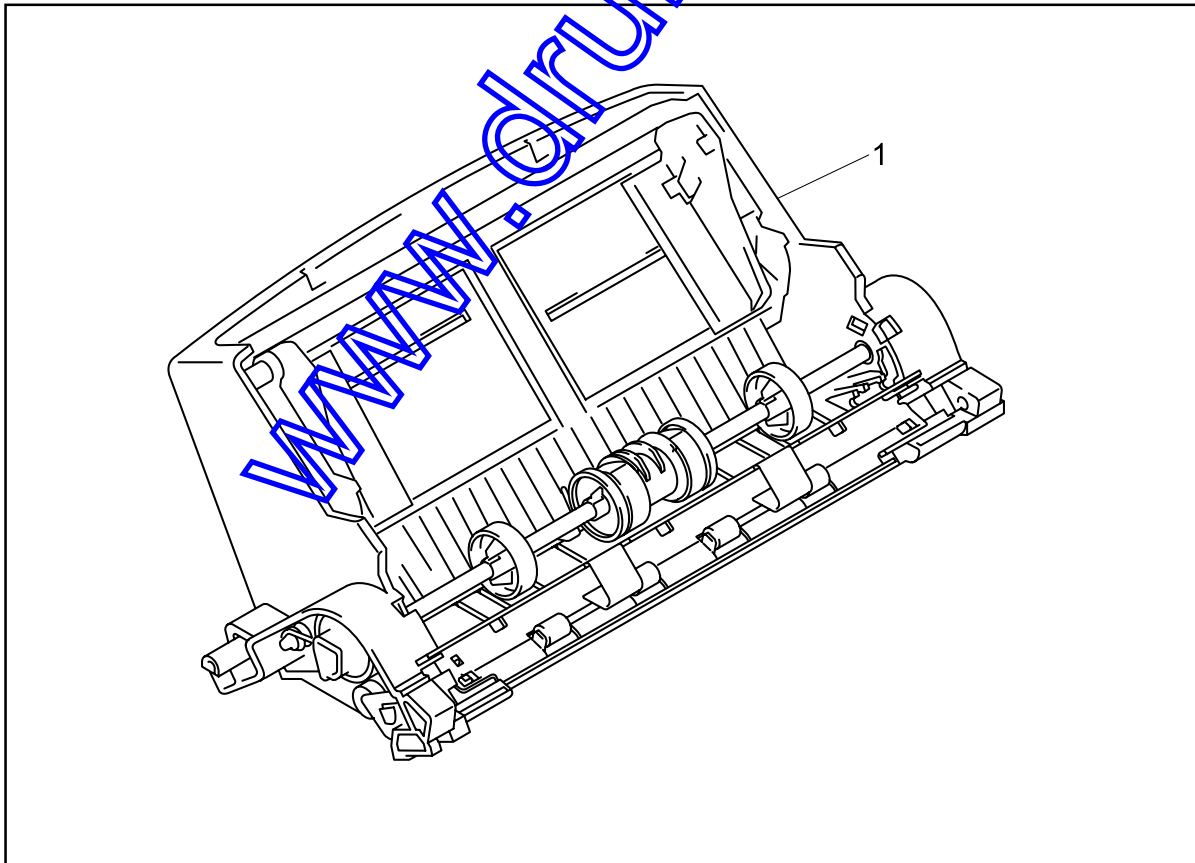
T/I NO. PR98303

4. LASER UNIT



MODEL MFC-P2000/HL-F2000 84U-901-020

5. MP SHEET FEEDER



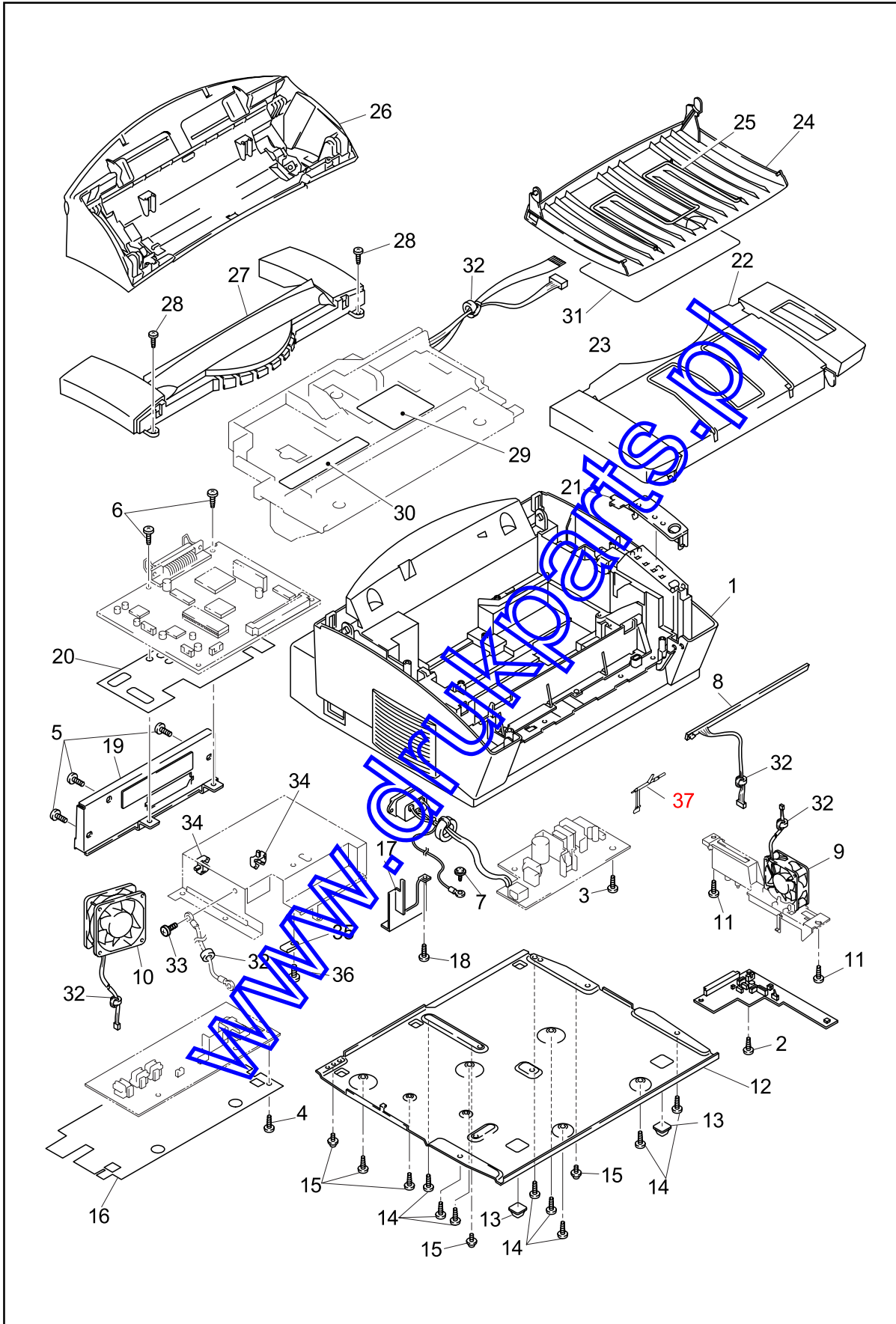
MODEL MFC-P2000/HL-P2000 84U-901-040

7. COVERS

REF.NO.	CODE	Q'TY	DESCRIPTION	SYMBOL	REMARK
1	UL7983001	1	MAIN COVER ASSY		
2	085411215	1	TAPTITE, BIND B M4X12		
3	085411215	1	TAPTITE, BIND B M4X12		
4	085411215	1	TAPTITE, BIND B M4X12		
5	002400616	3	SCREW PAN M4X6		
6	087320616	2	TAPTITE, CUP S M3X6		
7	0A5350605	1	SCREW PAN(WASHER), M3.5X6		
8	UL8659001	1	EL PCB UNIT	B48K304	
9	UL8753001	1	MAIN FAN MOTOR		
10	UL8509001	1	SUB FAN MOTOR		
11	085411215	2	TAPTITE, BIND B M4X12		
12	UL8601001	1	BASE PLATE		
13	UL8507001	2	RUBBER FOOT		
14	085411215	8	TAPTITE, BIND B M4X12		
15	087320616	5	TAPTITE, CUP S M3X6		
16	UL8508001	1	INSULATION SHEET		
17	UL8512001	1	INLET HOLDER		
18	085411215	1	TAPTITE, BIND B M4X12		
19	UL8510001	1	I/F SHIELD ASSY		
20	UH3828001	1	SHIELD SHEET, P2000		
21	UH3850001	1	PANEL COVER, GRAY1227		
22	UH3852001	1	TOP COVER ASSY		
23	UH3826001	1	DOCUMENT EXTENSION SUPPORT WIRE		
24	UH3825001	1	OUTPUT TRAY		
25	UL8516001	1	EXTENSION SUPPORT WIRE		
26	UH3801001	1	SCANNER REAR COVER ASSY		
27	UH3805001	1	REAR COVER ASSY		
28	085411215	2	TAPTITE, BIND B M4X12		
29	UL6740001	1	LASER CAUTION LABEL		
29	UL7931001	1	LASER CAUTION LABEL, LFS		
30	UL6741001	1	TONER WARNING LABEL		
31	UH3838001	1	MYLAR LABEL MFC-P2000 (US)		
31	UH3839001	1	MYLAR LABEL MFC-P2000 (CANADA)		
31	UH3840001	1	MYLAR LABEL HL-P2000 (EUR)		
32	UG3005000	5	FERRITE CORE		
33	087320616	1	TAPTITE, CUP S M3X6		
34	UH3751001	2	MINI CLAMP		
35	UH3752001	1	NYLON CLAMP		
36	085411215	1	TAPTITE, BIND B M4X12		
37	UL7992001	1	PAPER EJECT ACTUATOR		

MODEL MFC-P2000/HL-P2000 84U-901/902-060

T/I NO. PR98303 / PR99041 / PR99057 / PR99201



MODEL MFC-P2000/HL-P2000 84U-901/902-060

T/I NO. PR99201

6. FIXING UNIT

REF.NO.	CODE	Q'TY	DESCRIPTION	REMARK
1-11	UL8750001	1	FIXING UNIT, 120V (SP)	
1-11	UL8751001	1	FIXING UNIT, 230V (SP)	
1-11	UL8833001	1	FIXING UNIT, LEG 230V (SP)	
1	UH3306001	1	HALOGEN LAMP Y, 120V (SP)	
1	UH3307001	1	HALOGEN LAMP Y, 230V (SP)	
2	087411616	2	TAPTITE, CUP B M4X16	
3	085311216	2	TAPTITE, BIND B M3X12	
4	083311017	2	TAPTITE, PAN B M3X10	
5	UL8757001	1	HEAT ROLLER YS (SP)	
5	UL8834001	1	HEAT ROLLER, LEG (SP)	
6	UH3178000	2	H/R BEARING Y	
7	UL8758001	1	H/R CLEANER	
7	UL8855001	1	H/R CLEANER, LEG	
8	UL8754001	1	H/R WASHER	
9	UL6667001	1	THERMISTOR ASSY	
10	UH3323001	4	EJECT PINCH ROLLER ASSY	
11	UL6682001	4	PINCH SPRING	

MODEL MFC-P2000/HL-P2000 84U-901/902-050/051/052

T/I NO. PR98271 / PR98292 / PR98303

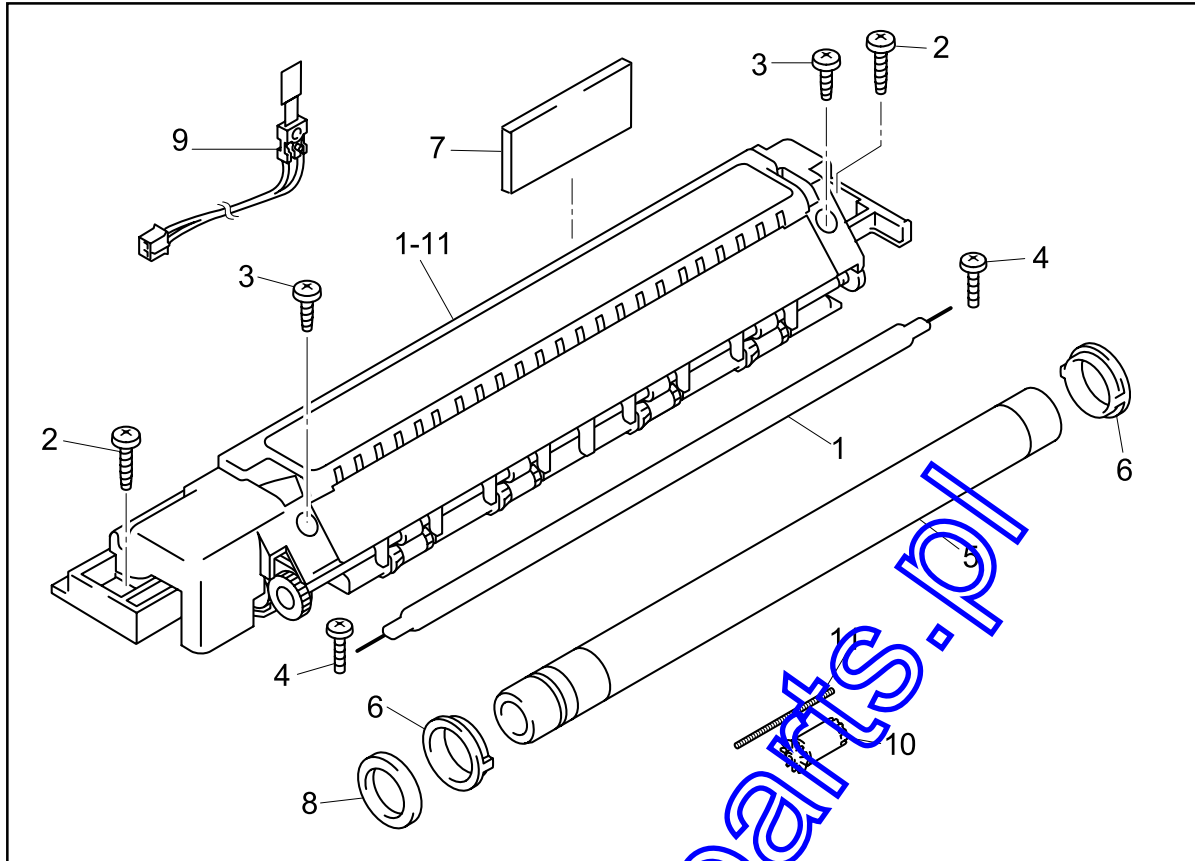
8. MAIN PCB

REF.NO.	CODE	Q'TY	DESCRIPTION	SYMBOL	REMARK
1-1	UK4250001	1	MAIN PCB ASSY, US (SP)	B512018-100C	
1-1	UK4251001	1	MAIN PCB ASSY, EUR (SP)	B512018-101B	
1-1	UK4252001	1	MAIN PCB ASSY, HFB (SP)	B512018-102	
1	UK4328000	1	MROMP2000, US	#4	
1	UK4320000	1	MROMP2000, EUR	#4	
1	UK4160000	1	MROMP2000, HEB	#4	

MODEL MFC-P2000/HL-P2000 84U-901/902-101/102/103

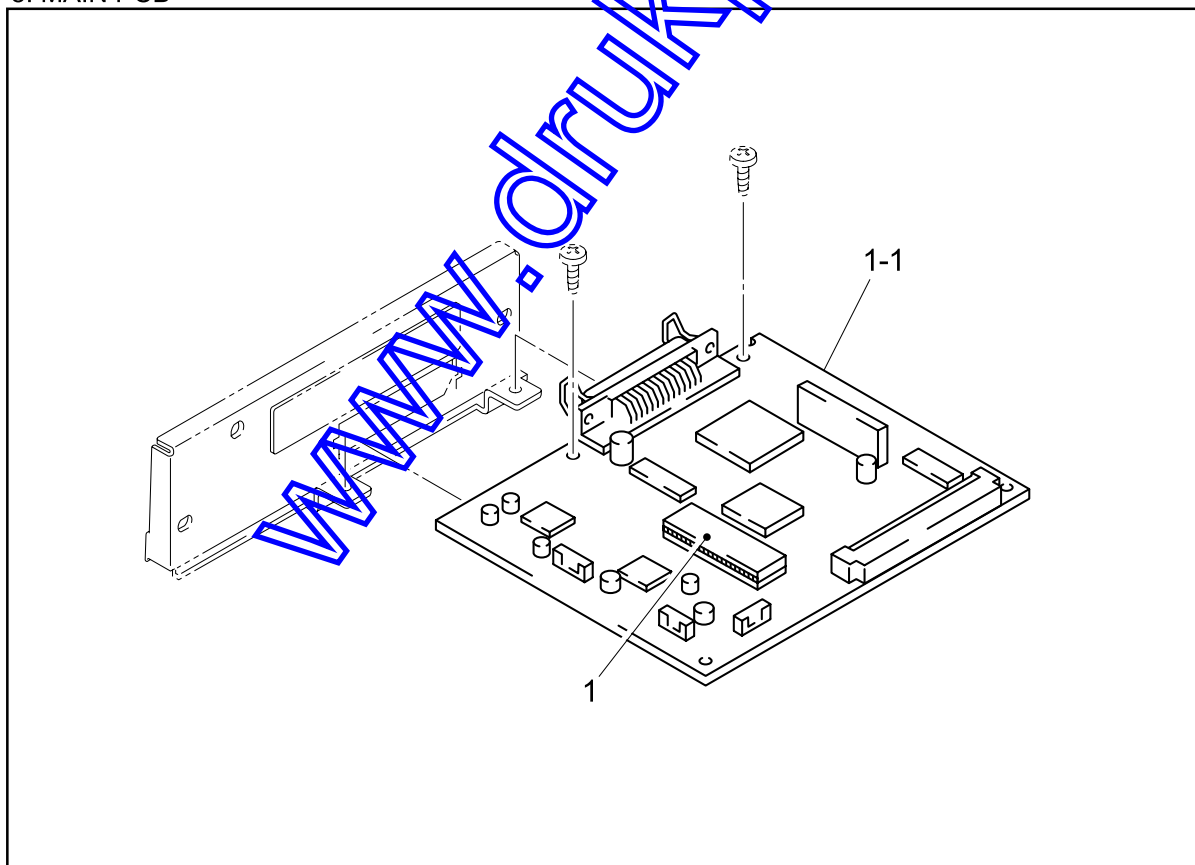
T/I NO. PR98260

6. FIXING UNIT



T/I NO. PR98271 / PR98292 MODEL MFC-P2000/HL-P2000 84U-901-050/051

8. MAIN PCB



MODEL MFC-P2000/HL-P2000 84U-901-101/102/103

9. PANEL SENSOR PCB

REF.NO.	CODE	Q'TY	DESCRIPTION	SYMBOL	REMARK
1	UK4205001	1	PANEL SENSOR PCB ASSY (SP)	B48K303	

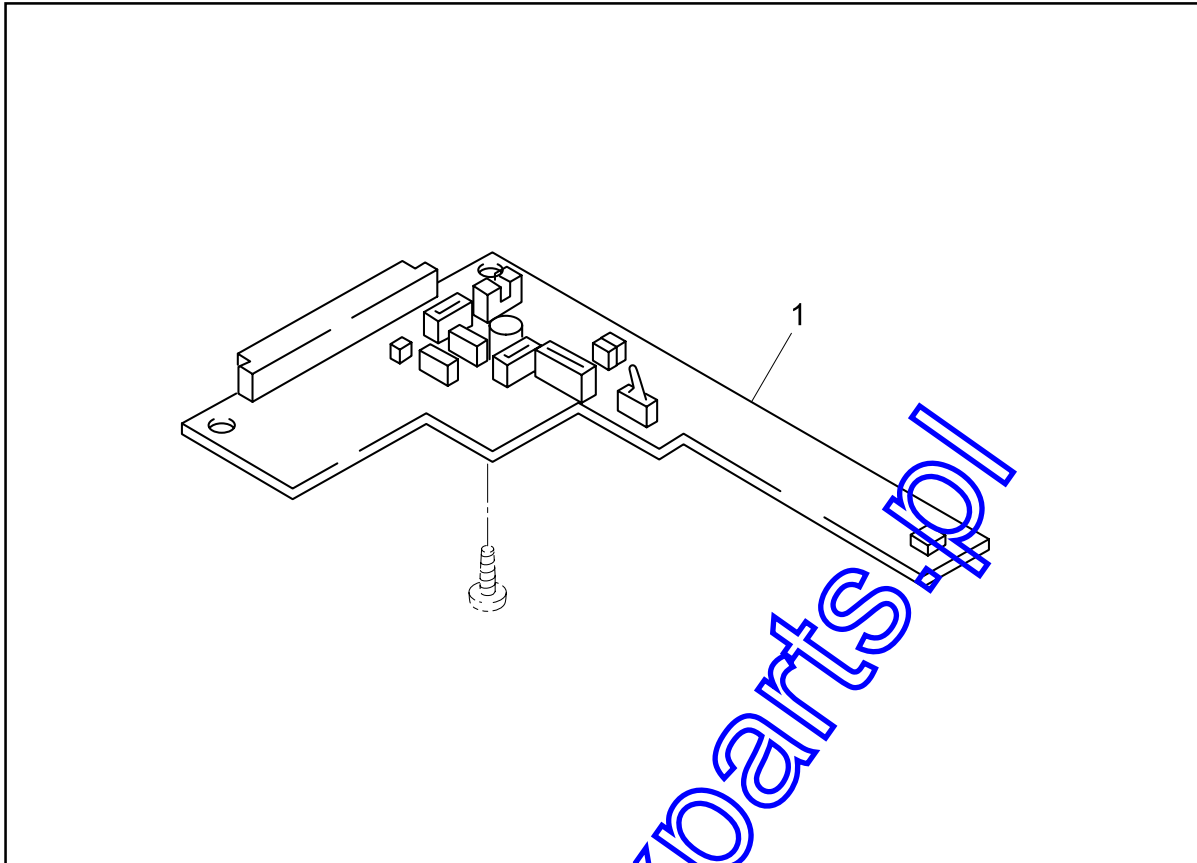
MODEL MFC-P2000/HL-P2000 84U-901-151

10. POWER SUPPLY PCB

REF.NO.	CODE	Q'TY	DESCRIPTION	REMARK
1	UK4120001	1	LOW-VOLTAGE PS ASSY, 115V (SP)	
1	UK4121001	1	LOW-VOLTAGE PS ASSY, 230V (SP)	
2	UK3836001	1	AC INLET ASSY, 115V	
2	UK3843001	1	AC INLET ASSY, 230V	

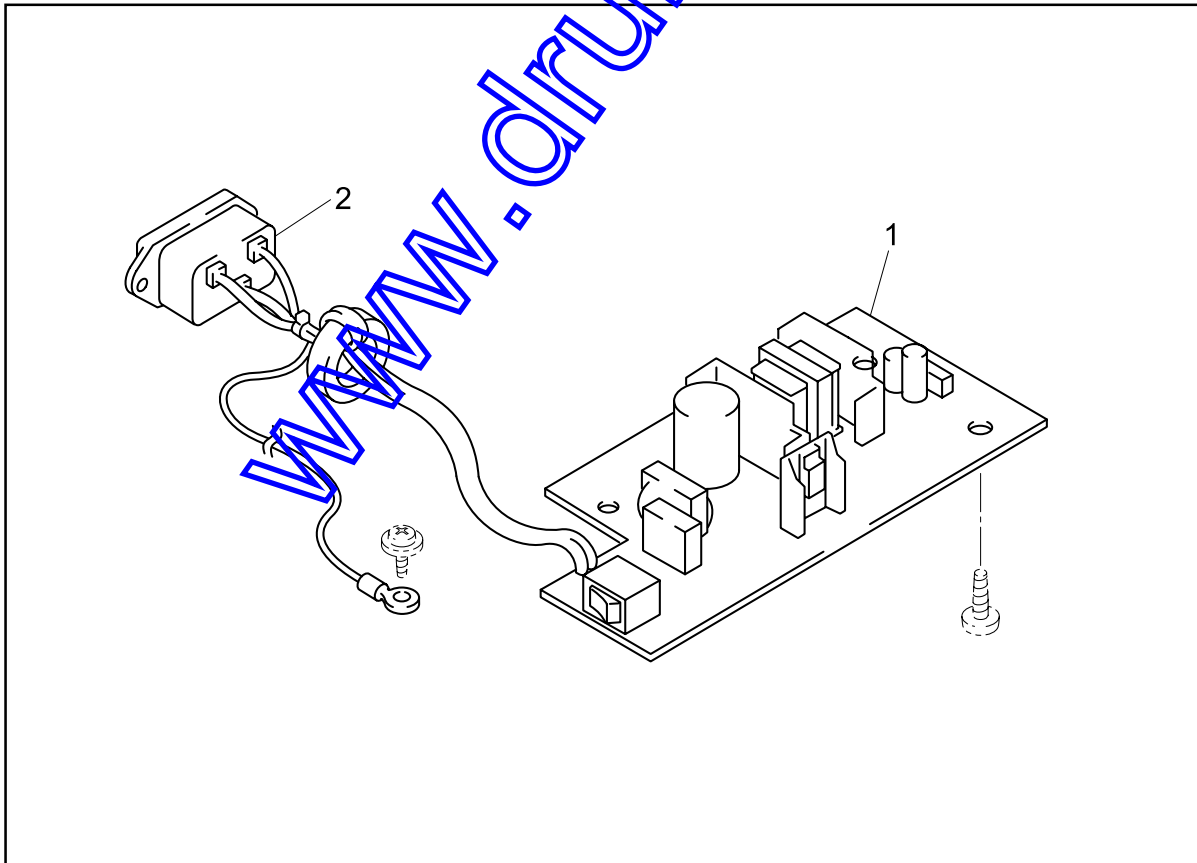
MODEL MFC-P2000/HL-P2000 84U-901-200/201

9. PANEL SENSOR PCB



MODEL MFC-P2000/HL-F2000 84U-901-151

10. POWER SUPPLY PCB



MODEL MFC-P2000/HL-P2000 84U-901-200/201

11. HIGH VOLTAGE POWER SUPPLY PCB

REF.NO.	CODE	Q'TY	DESCRIPTION	SYMBOL	REMARK
1	UK4122001	1	HIGH-VOLTAGE PS ASSY (SP)		

MODEL MFC-P2000/HL-P2000 84U-901/902-220

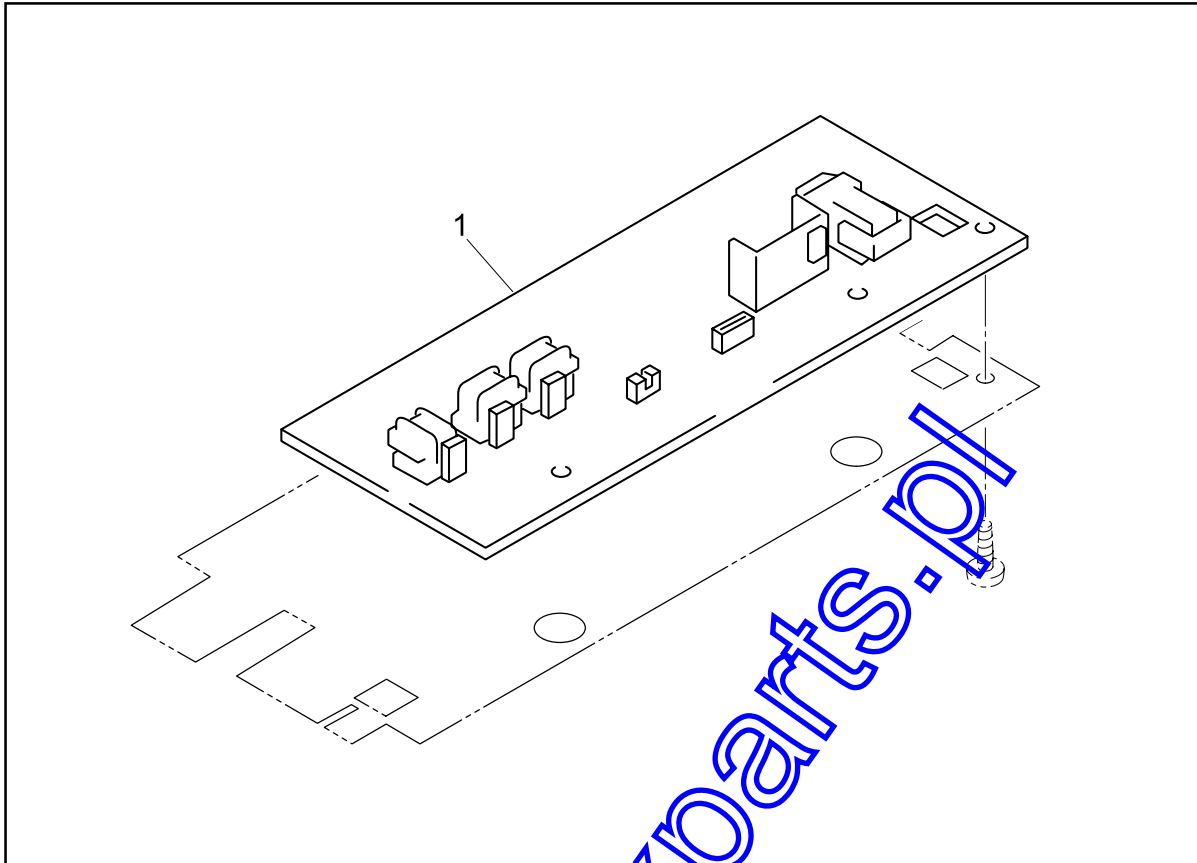
12. AC CORDS

REF.NO.	CODE	Q'TY	DESCRIPTION	REMARK
1A	UH1051001	1	AC CORD ASSY, UL/CSA	
1B	UH1054001	1	AC CORD ASSY, BS	
1C	UH1052001	1	AC CORD ASSY, VDE	
1D	UH1055001	1	AC CORD ASSY, SAA	
1E	UH1053001	1	AC CORD ASSY, SEV	
1F	UK4094001	1	AC CORD ASSY, DEMKO	
1G	U34320001	1	AC CORD ASSY, #4 (SAF)	
1H	UK4099001	1	AC CORD ASSY, CHLI	
1I	U34322001	1	AC CORD ASSY, #6 (ISRAEL)	
1J	UK3610001	1	AC CORD ASSY, CHN96	

MODEL MFC-P2000/HL-P2000 84U-901/902-230

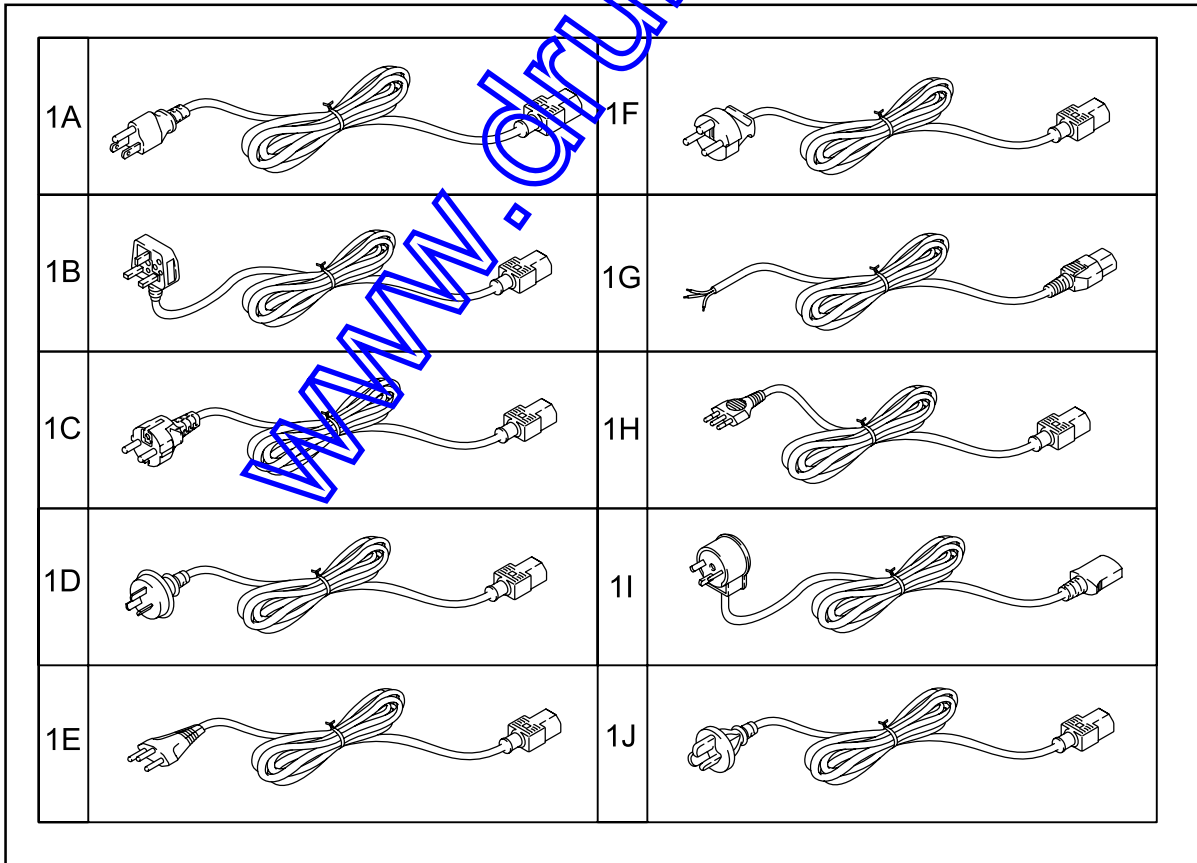
T/I NO. PR98303

11. HIGH VOLTAGE POWER SUPPLY PCB



MODEL MFC-P2000/HL-P2000 84U-901/902-220

12. AC CORD



MODEL MFC-P2000/HL-P2000 84U-901/902-230

T/I NO. PR98303

13. ACCESSORIES

REF.NO.	CODE	Q'TY	DESCRIPTION	REMARK
1	UK4223001	1	PR DRIVER DISK ASSY1 (MFC-P2000)	
1	UK4237001	1	PR DRIVER DISK ASSY1 (HL-P2000)	
1	UK4343001	1	PR DRIVER DISK ASSY1, LEG	
2	UK4225001	1	PR DRIVER DISK ASSY2 (MFC-P2000)	
2	UK4239001	1	PR DRIVER DISK ASSY2 (HL-P2000)	
2	UK4345001	1	PR DRIVER DISK ASSY2, LEG	
3	UK4253001	1	PR DRIVER DISK ASSY3 (MFC-P2000)	
3	UK4255001	1	PR DRIVER DISK ASSY3 (HL-P2000)	
3	UK4347001	1	PR DRIVER DISK ASSY3, LEG	
4	UK4227001	1	CD-ROM ASSY (MFC-P2000)	
4	UK4228001	1	CD-ROM ASSY (HL-P2000)	
5	UH3625001	1	EXTENSION WIRE ASSY, P2000	
5-1	UL7158001	1	TE TUBE	
6	UH3846001	1	SET GUIDE, US	
6	UH3871001	1	SET GUIDE, FRA	
6	UH3847001	1	SET GUIDE, GER	
6	UH3875001	1	SET GUIDE, NOR	
6	UH3877001	1	SET GUIDE, NL	
6	UH3882001	1	SET GUIDE, DEN	
6	UH3889001	1	SET GUIDE, SWE	
7	UE2014001	1	BAG, 215X350H	
8	UG4558001	1	I/F CABLE FE (US/LEG)	
9	UK4322001	1	CORE NF-135 ASSY	
10	UK4339001	1	PR DRIVER DISK ASSY #3, LEG	
10	UK4333001	1	PR DRIVER DISK ASSY4 (ISRAEL)	

MODEL MFC-P2000/HL-P2000 84U-901/902-920

T/I NO. PR98227 / PR98250 / PR98262 / PR98303

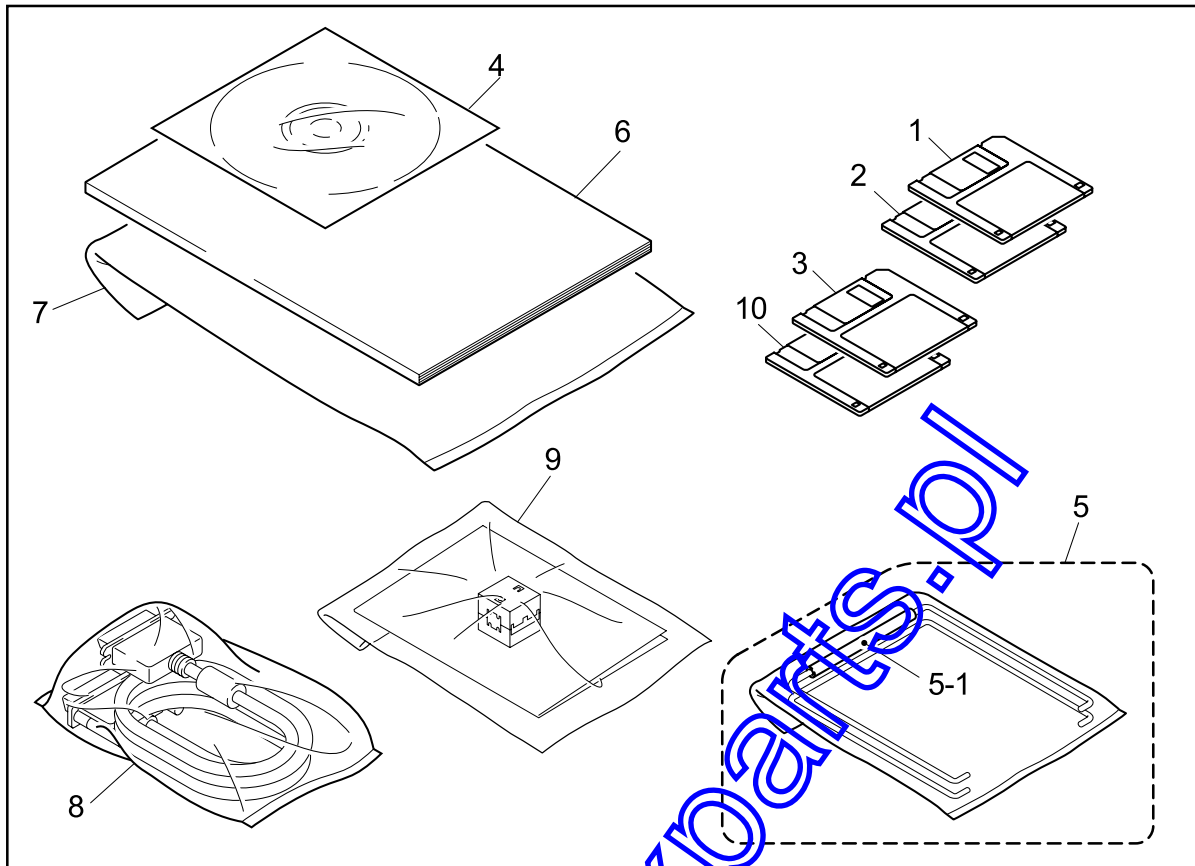
14. PACKING MATERIALS

REF.NO.	CODE	Q'TY	DESCRIPTION	REMARK
1	UE0752001	1	CARTON, USA	
1	UE0753001	1	CARTON, EUR	
1	UE0777001	1	CARTON, CANADA DX	
1	UE0781001	1	CARTON, CANADA	
1	UE0806001	1	CARTON, LEG	
2	UE0754001	1	STYROFOAM PAD ASSY	
3	UE0757001	1	CARTON, ACCESORRIES	
4	UE2126001	1	BAG, 700X300 (BODY)	

MODEL MFC-P2000/HL-P2000 84U-901/902-930

T/I NO. PR98303

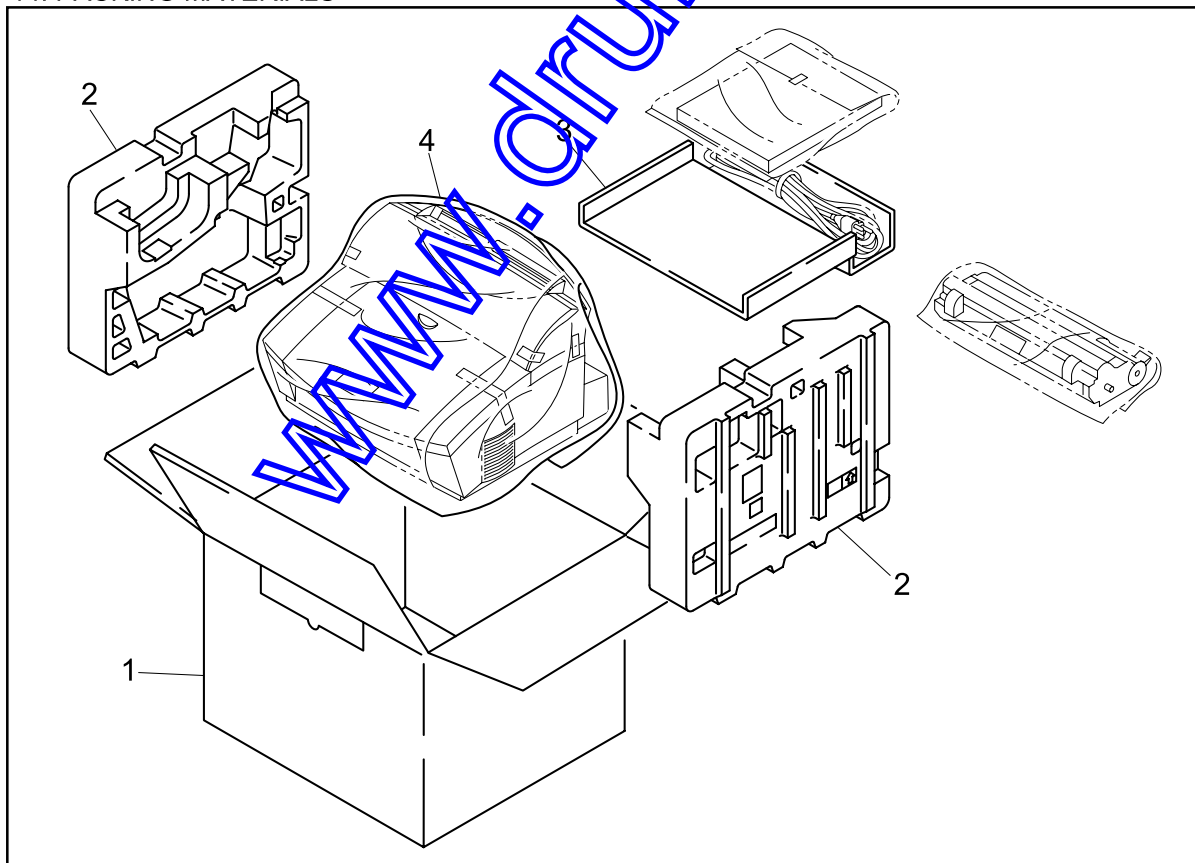
13. ACCESSORIES



T/I NO. PR98227 / PR98250

MODEL MFC-P2000/HL-P2000 84U-901-920

14. PACKING MATERIALS



MODEL MFC-P2000/HL-P2000 84U-901-930