



**MULTI-FUNCTION CENTER**

**PARTS REFERENCE LIST**

**MODEL: MFC9750 / MFC9850 / MFC9870**

**(For Germany / United Kingdom /  
France / Norway / Belgium /  
Netherlands / Switzerland / Ireland /  
Denmark / Austria / Spain / Italy /  
Sweden / European Generic)**



[www.drukparts.pl](http://www.drukparts.pl)

© Copyright Brother 1999

All rights reserved

No part of this publication may be reproduced in any form or by any means without permission in writing from the publisher.

Specifications are subject to change without prior notice.

## NOTES FOR USING THIS PARTS REFERENCE LIST

1. In the case of ordering parts, it needs mentioning the following items:

- (1) Code
- (2) Q' ty
- (3) Description

Note: No orders without Parts Code or Tool No. can be accepted.

[Example]

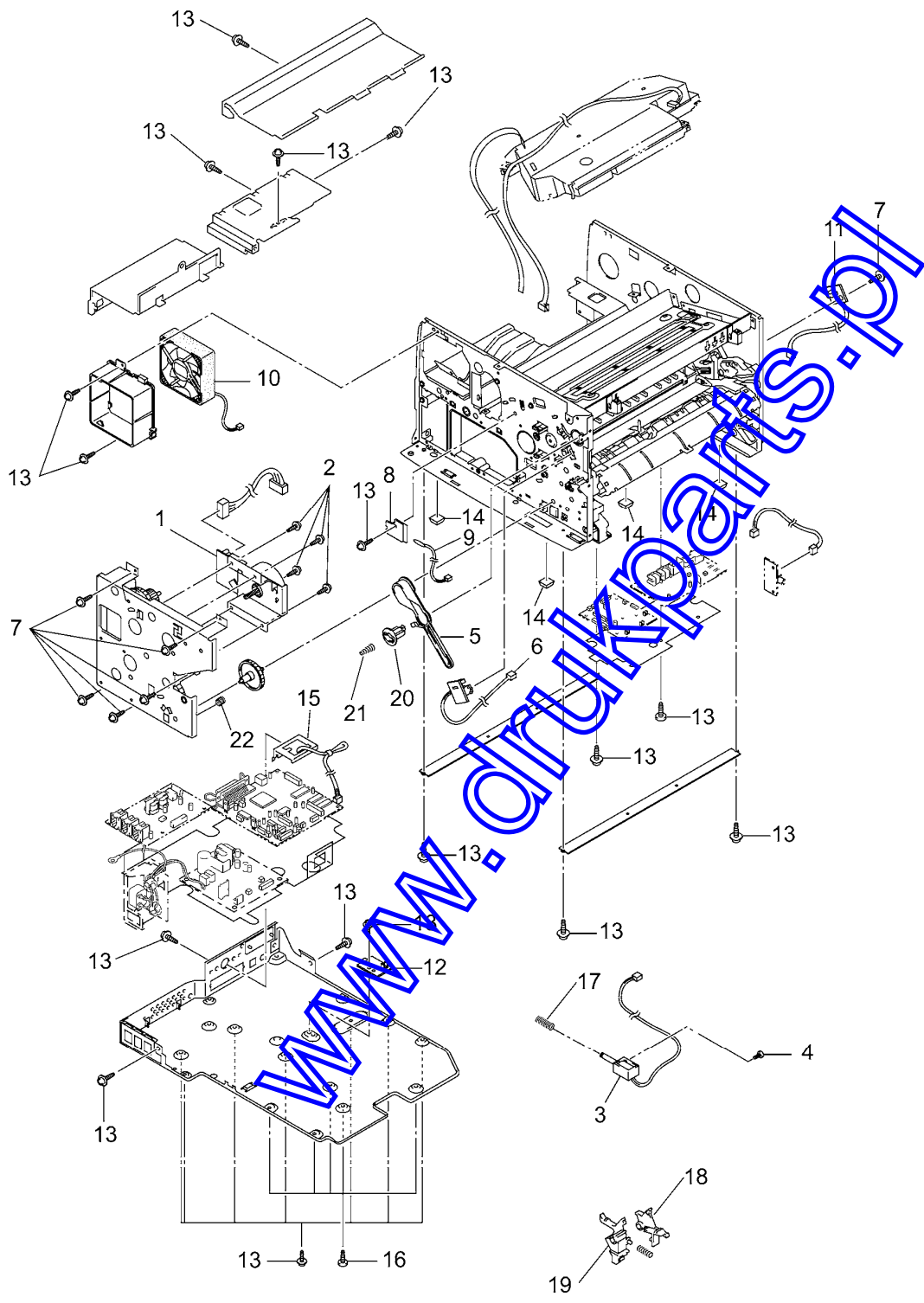
	(1)	(2)	(3)	
REF.NO.	CODE	Q' TY	DESCRIPTION	REMARKS

2. Parts change will be informed by the technical information

### COUNTRIES

- Germany ----- GER
- United Kingdom ----- UK
- France ----- FRA
- Norway ----- NOR
- Belgium ----- BEL
- Netherlands ----- NLD
- Switzerland ----- CHE
- Ireland ----- IRE
- Denmark ----- DEN
- Austria ----- AUT
- Spain ----- SPA
- Italy ----- ITA
- Sweden ----- SWE
- European Generic ----- GNR

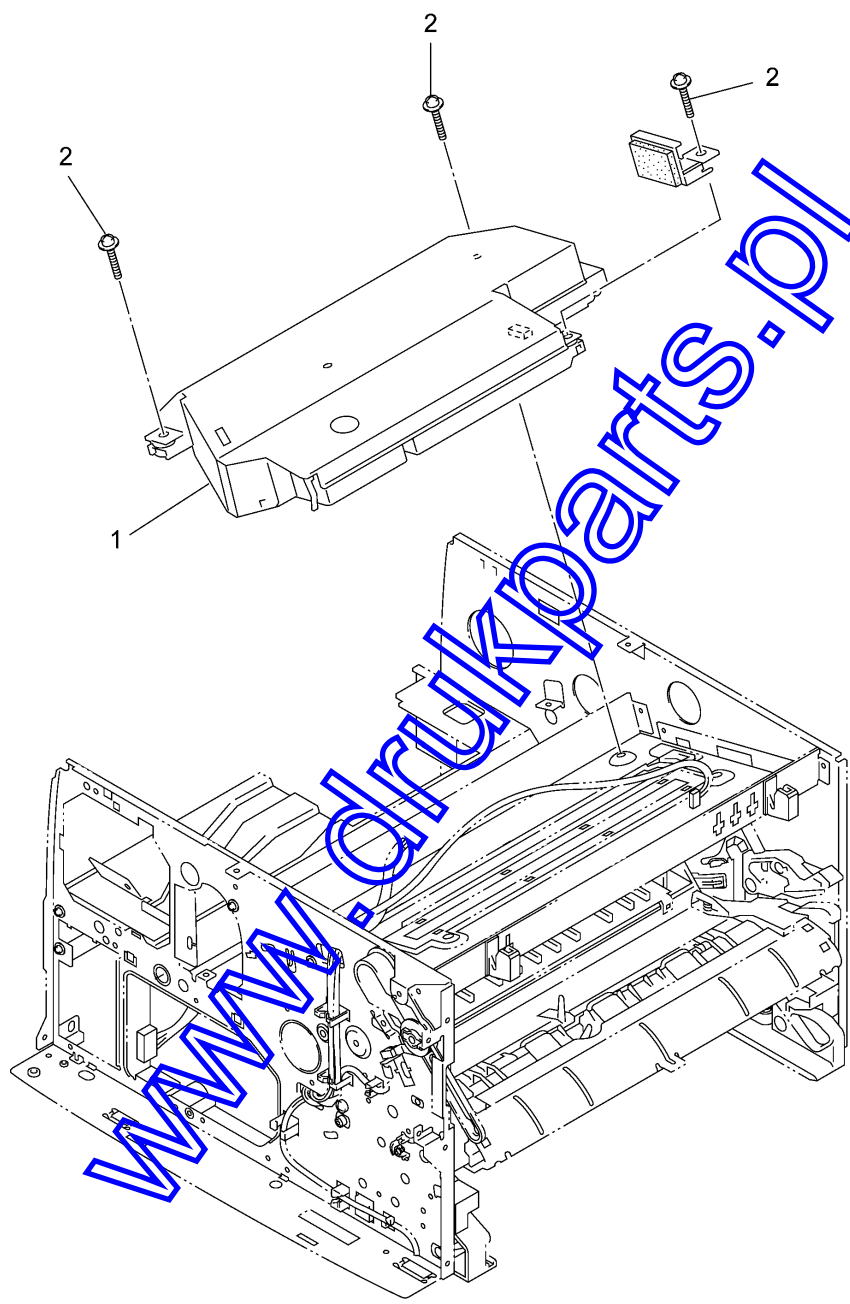
www.druckparts.pl



## List1(MAIN FRAME)

REF.No.	CODE	Q'TY	DESCRIPTION	REMARKS	ORDER TO BIUK
1	UL9311001	1	MAIN MOTOR ASSY		
2	087320616	4	TAPTITE, CUP S M3X6		
3	LJ4069001	1	SOLENOID		
4	000300415	1	SCREW, BIND M3X4		
5	UL8984001	1	FRONT COVER LINK		
6	UL9099001	1	TONER SENSOR (LED) PCB		
7	087320616	6	TAPTITE, CUP S M3X6		
8	LE1166001	1	THERMISTOR FILM		
9	LG2423001	1	IN CASING TEMPERATURE THERMISTOR		
10	LJ4745001	1	FAN		
11	UL9104001	1	TONER SENSOR (RECEIVER) PCB		
12	LG2438001	1	PAPER EJECTION SENSOR PCB		
13	087320616	22	TAPTITE, CUP S M3X6		
14	LJ7403001	4	RUBBER FOOT		
15	LJ8031001	1	2ND CASSETTE RELAY PCB		
16	085411215	5	TAPTITE, BIND B M4X12		
17	UL8970001	1	SOLENOID RELEASE SPRING		
18	UL8972001	1	P/R CLUTCH LEVER		
19	UL8971001	1	F/R CLUTCH LEVER		
20	UL8982001	1	DEVELOP JOINT		
21	UL8983001	1	JOINT SPRING		
22	<del>UL8959001</del>	<del>4</del>	<del>FRICITION SPRING</del>		

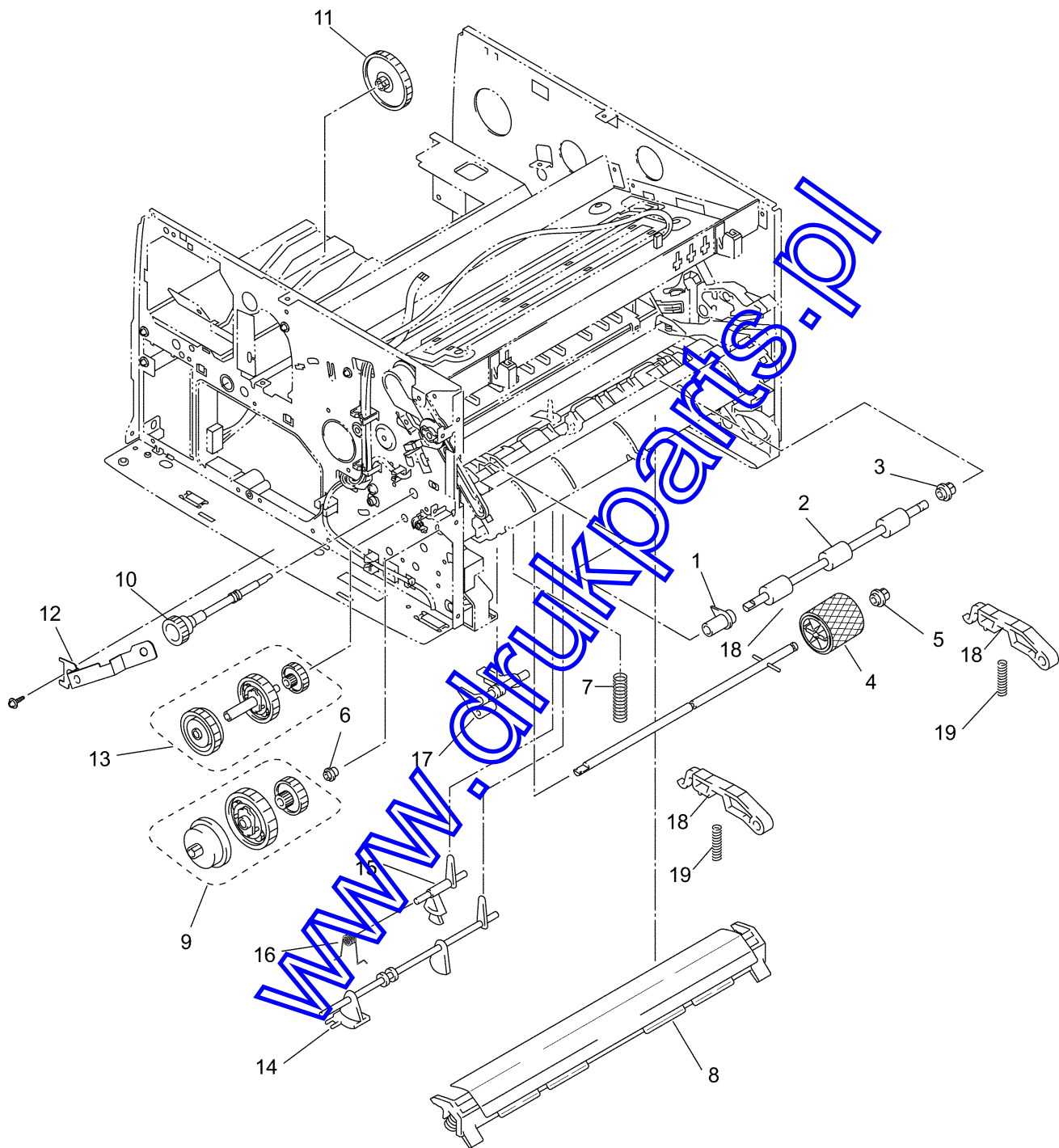
[www.drukparts.pl](http://www.drukparts.pl)



List2(LASER UNIT)

REF.No.	CODE	Q'TY	DESCRIPTION	REMARKS	ORDER TO BIUK
1	LJ4157001	1	LASER UNIT (SP)		
2	087321615	3	TAPTITE, CUP S M3X16		

[www.drukparts.pl](http://www.drukparts.pl)

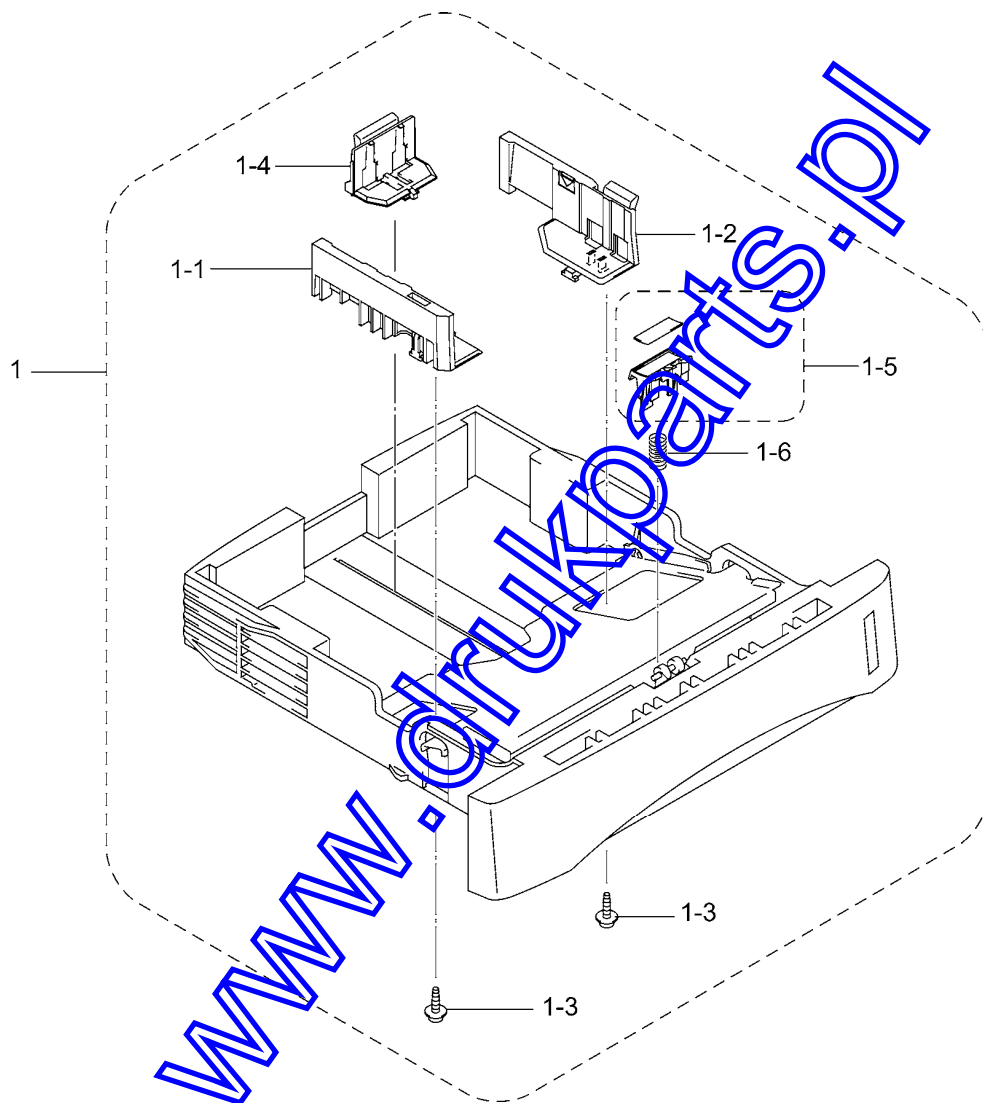




List3(PAPER TRANSPORT)

REF.No.	CODE	Q'TY	DESCRIPTION	REMARKS	ORDER TO BIUK
1	UL9059001	1	JOINT		
2	UL9060001	1	PAPER FEED ROLLER ASSY		
3	UL9062001	1	PAWLED BUSHING		
4	UL9066001	1	PAPER PICKUP ROLLER		
5	UL9062001	1	PAWLED BUSHING		
6	UL9069001	1	CONDUCTIVE BUSHING		
7	LJ4499001	1	ELECTRODE SPRING		
8	LJ4843001	1	OUTER CHUTE 1 (SP)		
9	LJ5591001	1	PLANETARY GEAR ASSY (SP)		
10	UL9070001	1	GEAR 21		
11	UL8985001	1	GEAR 59		
12	LJ5705001	1	GEAR 21 PRESSURE PLATE		
13	LJ5838001	1	FEED ROLLER PLANETARY GEAR ASSY (SP)		
14	UL9049001	1	MANUAL INSERTION SENSOR ACTUATOR		
15	UL9050001	1	REGISTRATION SENSOR ACTUATOR		
16	UL9051001	1	REGISTRATION SENSOR SPRING		
17	UU2042001	1	CASSETTE SENSOR ACTUATOR		
18	UL9053001	2	TRANSFER ARM	ADD	
19	UL9052001	2	TRANSFER SPRING	ADD	

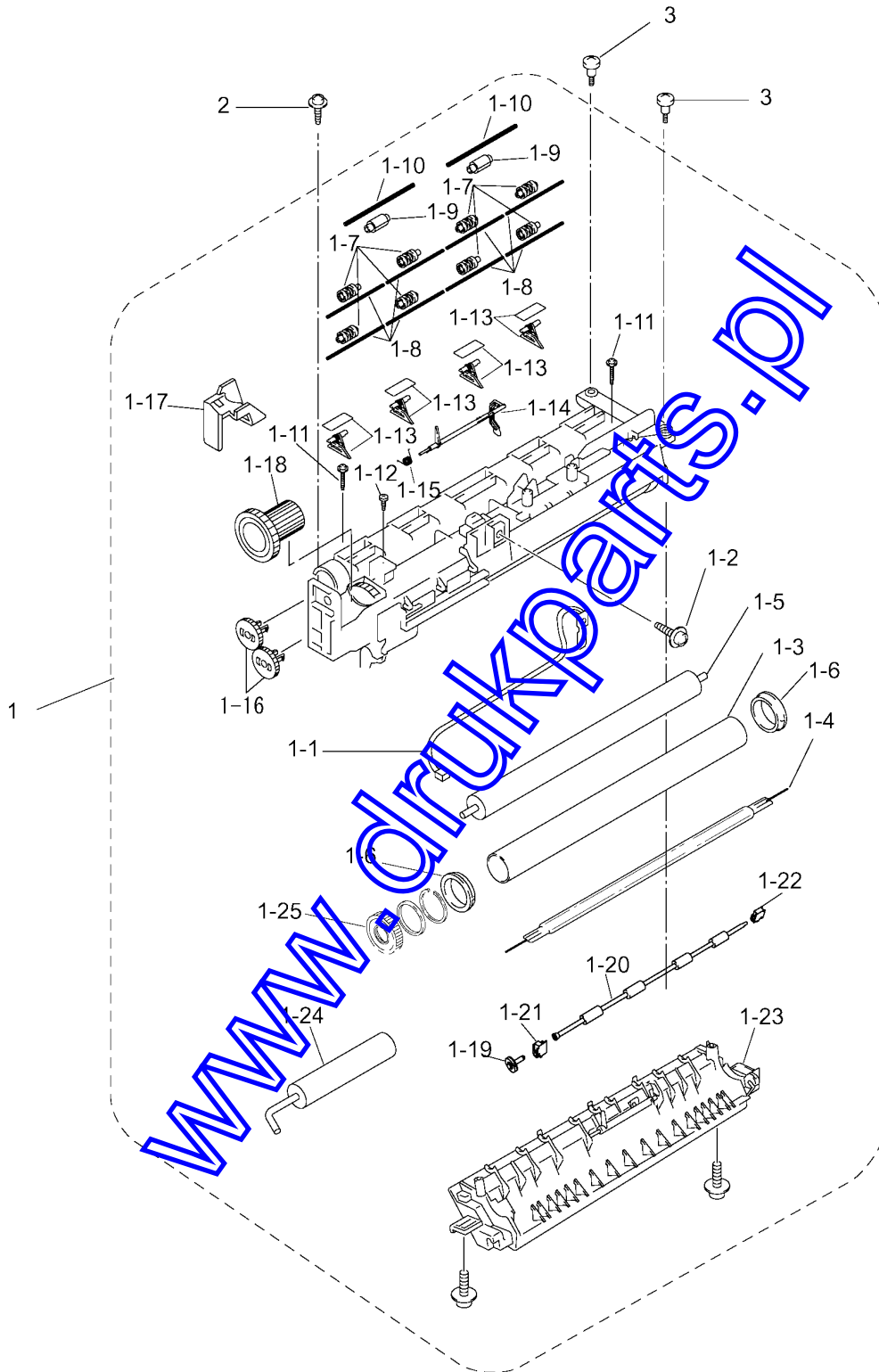
www.drukparts.pl



## List4(PAPER TRAY)

REF.No.	CODE	Q'TY	DESCRIPTION	REMARKS	ORDER TO BIUK
1	LJ4181001	1	PAPER TRAY ASSY, A4 (SP)		
1-1	UL9078001	1	SIDE GUIDE L		
1-2	UL9079001	1	SIDE GUIDE R		
1-3	U73515001	2	SCREW, PAN CUP B M2.6X5		
1-4	UL9083001	1	PAPER REAR GUIDE		
1-5	UL9084001	1	SEPARATION PAD SUPPORT ASSY		
1-6	UL9090001	1	SEPARATION PAD SPRING		

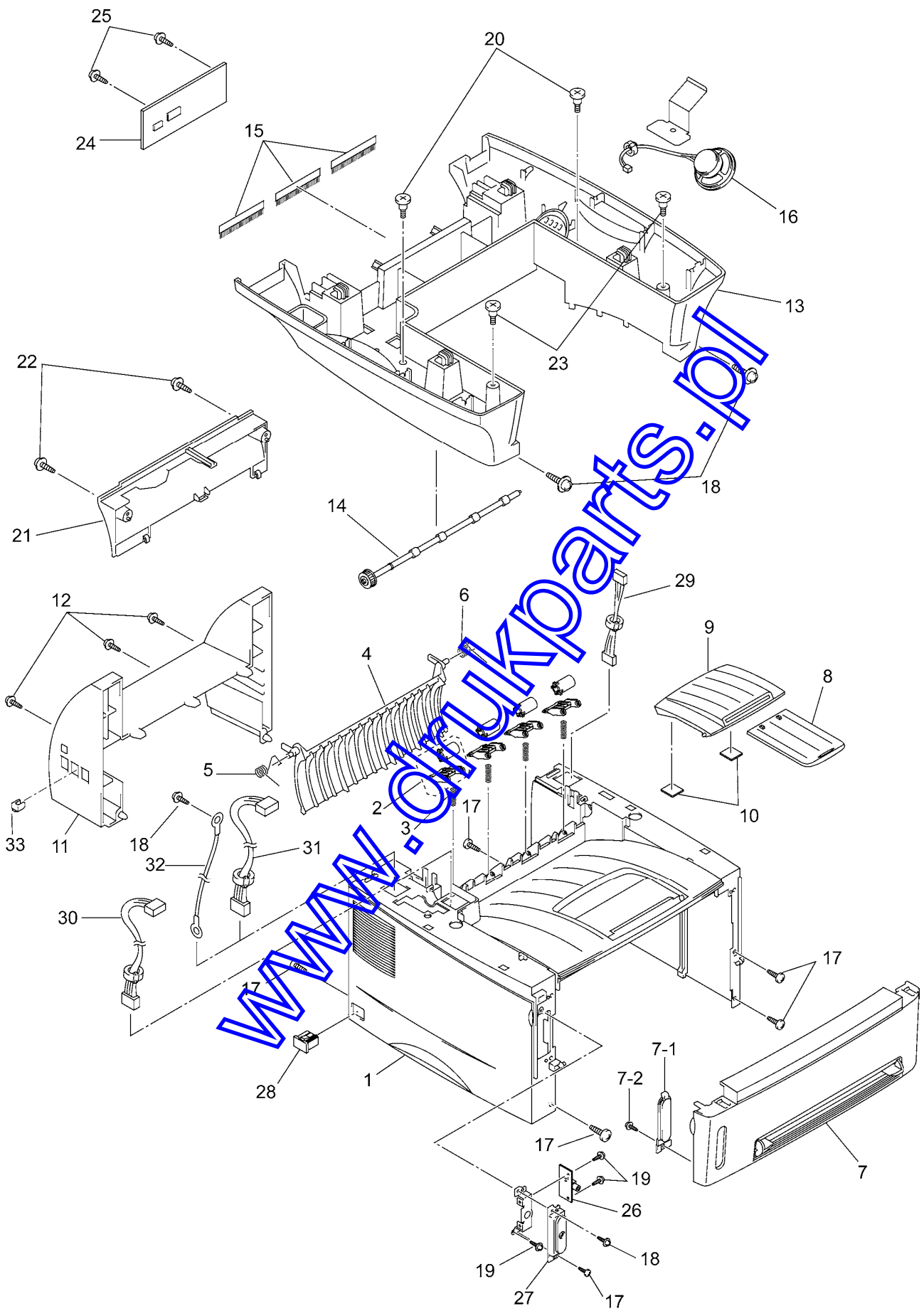
[www.drukparts.pl](http://www.drukparts.pl)



## List5(HEAT FIXING UNIT)

REF.NÖ.	CÖDE	Q'TY	DESCRIPTION	REMARKS	ORDER TÖ BIUK
1	LJ7760001	1	HEAT FIXING UNIT, 230V (SP)		
1-1	UL8902001	1	THERMISTÖR ASSY		
1-2	087311215	1	TAPTITE, CUP B M3X12		
1-3	LJ4169001	1	HEAT RÖLLER (SP)		
1-4	LJ4163001	1	FUSER LAMP, 230V (SP)		
1-5	LJ4853001	1	PRESSURE RÖLLER (SP)		
1-6	UL8908001	2	HR BEARING 25		
1-7	UL8929001	8	EJECT PINCH RÖLLER		
1-8	LJ4431001	8	PINCH SPRING		
1-9	LJ4407001	2	CLEANER RÖLLER ASSY		
1-10	LJ4409001	2	CLEANER SPRING		
1-11	087312015	2	TAPTITE, CUP B M3X20		
1-12	Z07200001	1	TAPTITE, PAN B M3X10		
1-13	LJ4845001	4	PICK ÖFF FINGER (SP)		
1-14	UL8920001	1	PAPER EJECT ACTUATÖR		
1-15	UL8921001	1	EJECT ACTUATÖR SPRING		
1-16	UL8914001	2	IDLE GEAR 13		
1-17	LJ5871001	1	IDLE GEAR HÖLDER		
1-18	UL8923001	1	FU DRIVER GEAR		
1-19	LJ7256001	1	EJECT RÖLLER SHAFT L	add	
1-20	LJ7257001	1	EJECT RÖLLER ASSY R	add	
1-21	LJ7259001	1	EJECT RÖLLER BEARING L	add	
1-22	LJ7260001	1	EJECT RÖLLER BEARING R	add	
1-23	LJ7261001	1	FU FRAME LÖWER 2	add	
1-24	LJ7262001	1	EJECT RÖLLER JAM REMÖVE TÖÖL	add	
1-25	UL8910001	1	HR GEAR 34	ADD	
2	087320815	1	TAPTITE, CUP S M3X8		√
3	LJ4740001	2	SHÖULDER SCREW		

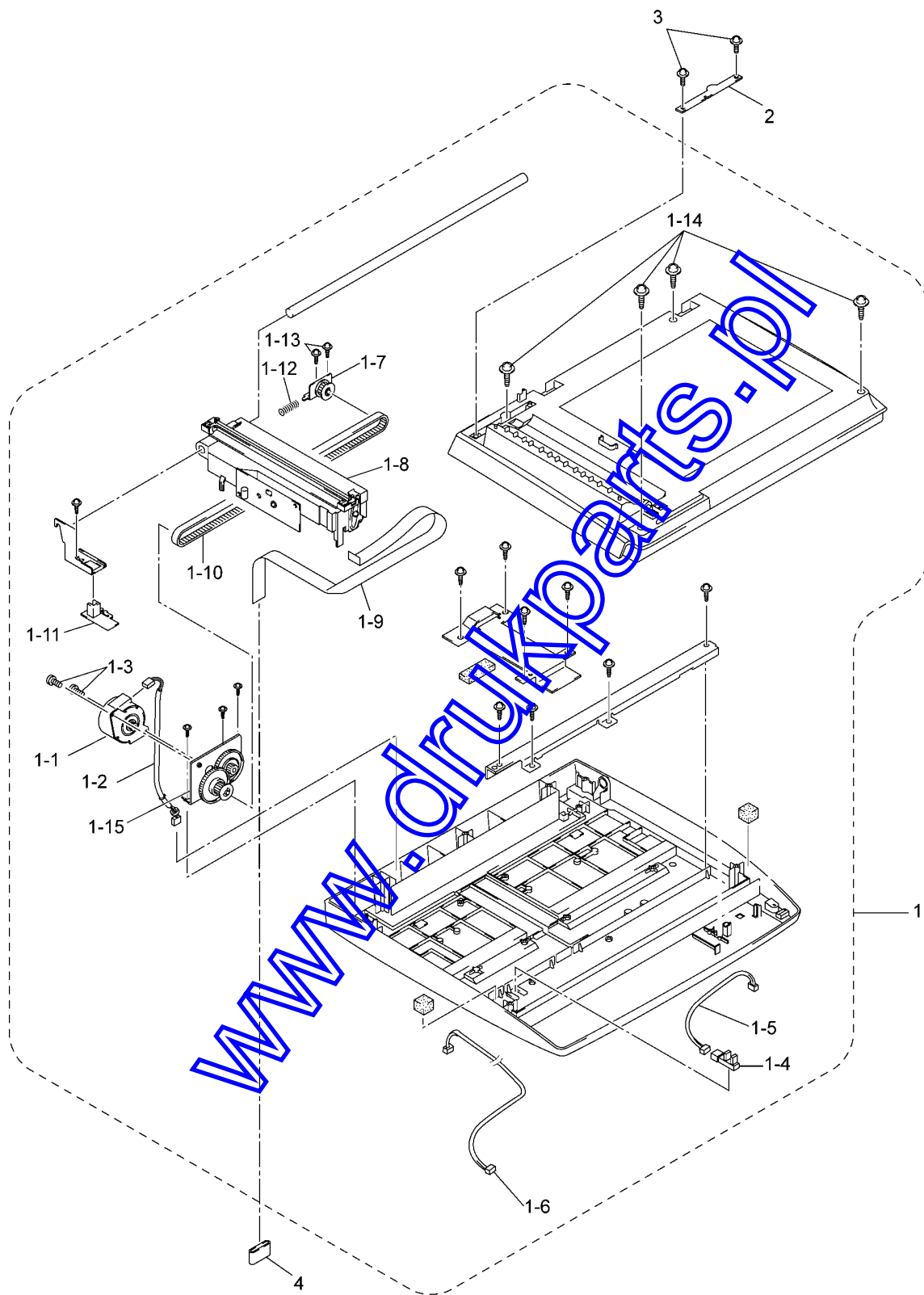
www.druckparts.pl



## List6(COVER)

REF.No.	CODE	Q'TY	DESCRIPTION	REMARKS	ORDER TO BIUK
1	LJ5753001	1	MAIN COVER ASSY, WHITE(1495)		
2	UL9122001	4	PINCH ROLLER ASSY		
3	UL9125001	4	PINCH ROLLER SPRING		
4	LJ5763001	1	OUTER CHUTE, WHITE(1495)		
5	UL9127001	1	CHUTE SPRING L		
6	UL9128001	1	CHUTE SPRING R		
7	UU2102001	1	FRONT COVER ASSY, WHITE(1495)		
7-1	UU2094001	1	FRONT SUB COVER, WHITE(1495)		
7-2	087310815	1	TAPTITE, CUP B M3X8		√
8	LE1197001	1	PAPER SUB TRAY, WHITE(1495)		
9	LE1198001	1	PAPER SUB TRAY COVER, WHITE(1495)		
10	LE1291001	2	TRAY COVER ADHESIVE TAPE		
11	UU2002001	1	REAR COVER, WHITE(1495)		
12	0A5401006	3	SCREW, PAN (S/P WASHER) M4X10		
13	LE1200001	1	SCANNER MOUNT, WHITE(1495)		
14	UL9142001	1	EXIT ROLLER ASSY		
15	LJ4125001	1	ANTI-STATIC BRUSH ZL		
16	LG2425001	1	SPEAKER UNIT		
17	085320816	6	TAPTITE, BIND S M3X8		
18	087321015	4	TAPTITE, CUP S M3X10		
19	---		NOT USE		
20	UF9823001	2	SHOULDER SCREW		
21	LE1202001	1	UPPER REAR COVER		
22	087411216	2	TAPTITE, CUP B M4X12		
23	LE1368001	2	SHOULDER SCREW BIND B M4X8		
24	LG2219001	1	RELAY PCB ASSY		
25	087311016	2	TAPTITE, CUP B M3X10		
26	---		NOT USE		
27	---		NOT USE		
28	---		NOT USE		
29	LG2221001	1	MAIN-RELAY(PANEL) HARNESS		
30	LG2499001	1	MAIN-RELAY(CCD) HARNESS		
31	LG2223001	1	MAIN-RELAY(MOTORS) HARNESS		
32	LG2418001	1	CHASSIS GROUNDING WIRE, MFC9850/9870		
33	UF5745000	1	MJ COVER, EXT, MFC9850/MFC9870 FOR GER/UK/FRA/BEL/NLD/DEN/AUT/ITA/SWE		

www.druckparts.pl

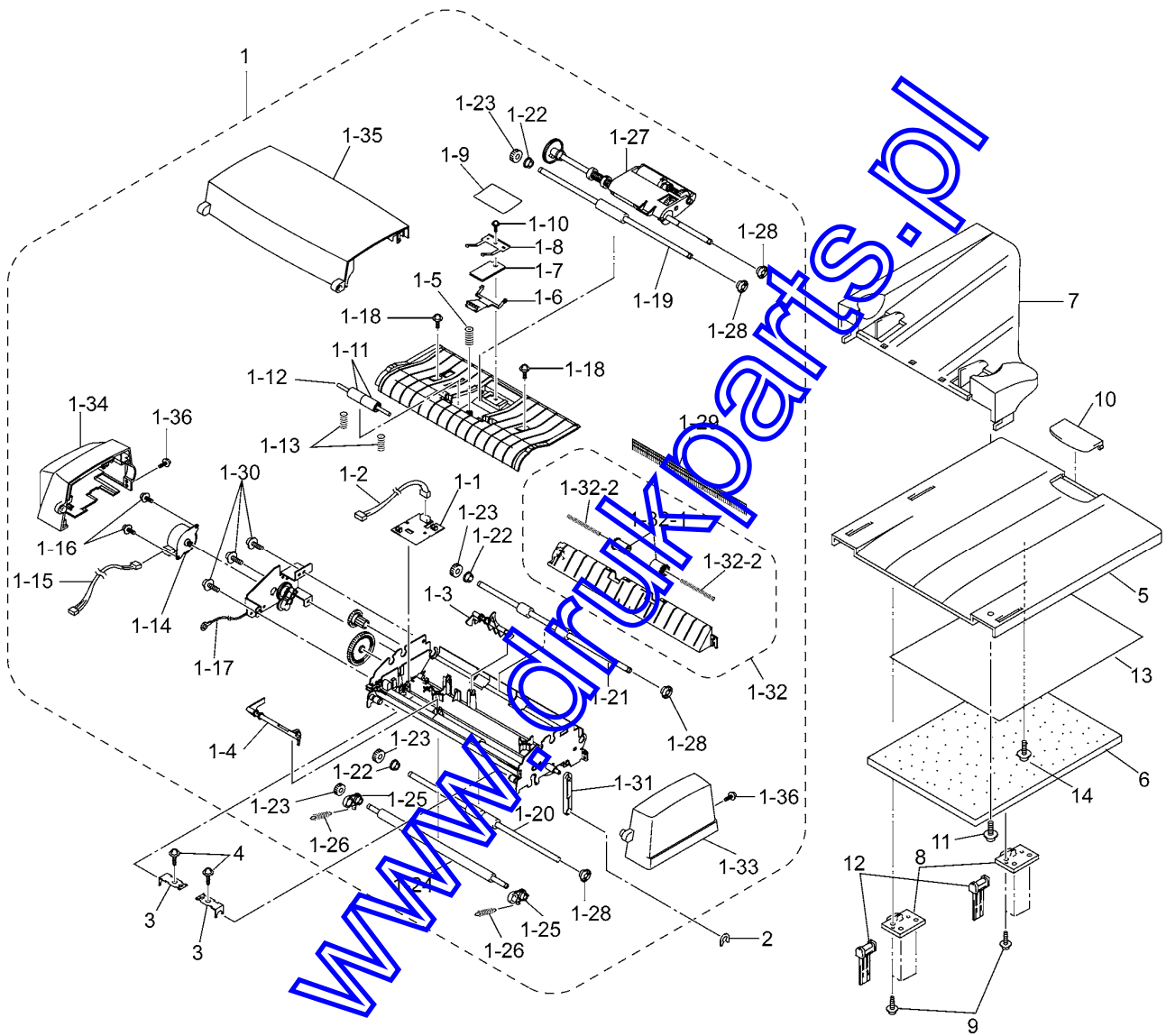




## List7(SCANNER UNIT)

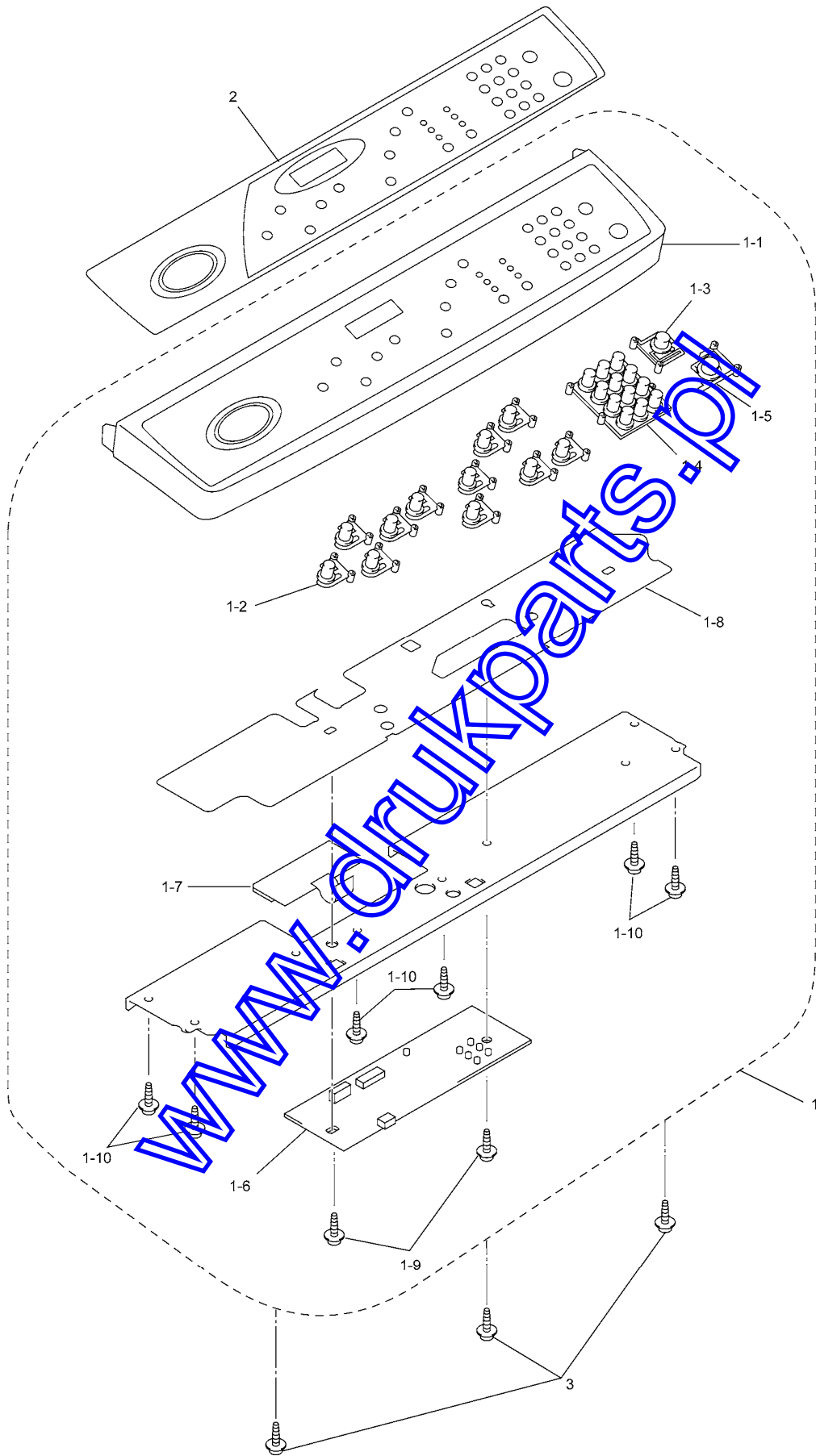
REF.No.	CODE	QTY	DESCRIPTION	REMARKS	ORDER TO BIUK
1	LE1524001	1	SCANNER UNIT (SP)		
1-1	UU7490001	1	CCD MOTOR		
1-2	LG2017001	1	CCD MOTOR HARNESS		
1-3	0A4300605	2	SCREW, PAN (S/P WASHER) M3X6		
1-4	LG2239001	1	CCD HP SENSOR		
1-5	LG2019001	1	CCD HP SENSOR HARNESS		
1-6	LG2025001	1	PANEL-MAIN HARNESS		
1-7	LE2074001	1	CCD IDLE PULLEY HOLDER ASSY		
1-8	LE1552001	1	CCD UNIT (SP)		
1-9	LE8489001	1	CCD FLAT CABLE ZL		
1-10	LE2297001	1	CCD DRIVE BELT		
1-11	LE2082001	1	CCD LOCK		
1-12	LE2079001	1	COMPRESSION SPRING		
1-13	LE2805001	2	TAPTITE, PAN B M3X10		
1-14	087411216	4	TAPTITE, CUP B M4X12		
1-15	LE1775001	1	MOTOR BRACKET		
2	LE2092001	1	HARNESS SUPPORT		
3	087310816	2	TAPTITE, CUP B M3X8		
4	LG2020001	1	FLAT CORE (CCD)		

[www.drukparts.pl](http://www.drukparts.pl)



## List8(ADF&amp;TRAY)

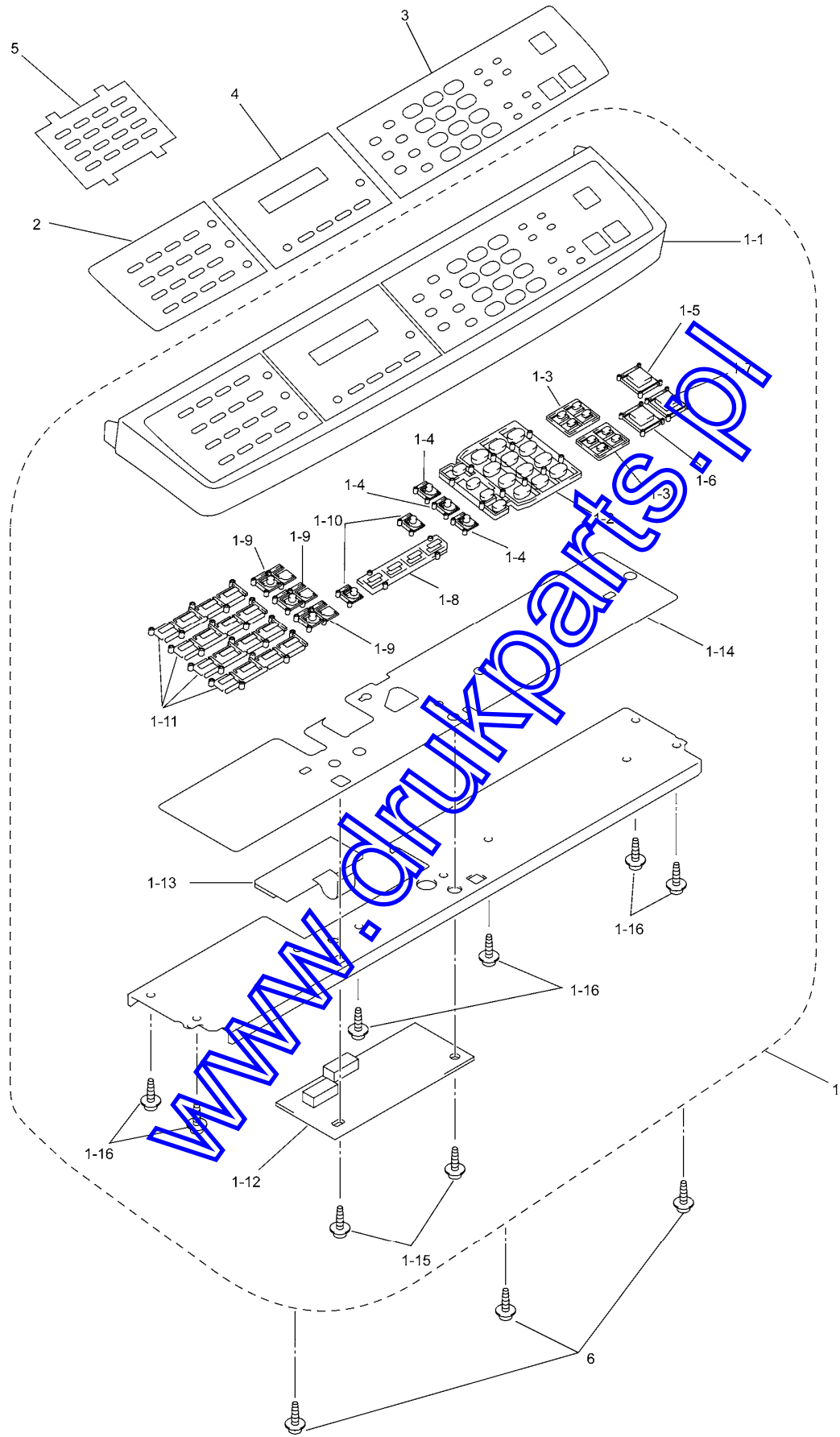
REF.No.	CODE	Q'TY	DESCRIPTION	REMARKS	ORDER TO BIUK
1	LE1525001	1	ADF UNIT (SP)		
1-1	UG6609001	1	DOCUMENT SENSOR PCB		
1-2	LG2014001	1	DOCUMENT SENSOR HARNESS		
1-3	UF7026001	1	DOCUMENT FRONT SENSOR ACTUATOR		
1-4	LE2008001	1	DOCUMENT REAR SENSOR ACTUATOR		
1-5	LE2011001	1	COMPRESSION SPRING		
1-6	LE2551001	1	RUBBER HOLDER A		
1-7	UU2055001	1	SEPARATION RUBBER		
1-8	LE1513001	1	SPRING PLATE A ASSY		
1-9	LE2470001	1	ADF FILM		
1-10	UF6116001	1	TAPTITE, PAN B M3X6		
1-11	UF9009001	2	PRESSURE ROLLER		
1-12	LE2471001	1	PRESSURE ROLLER SHAFT		
1-13	LE2472001	2	PRESSURE ROLLER SPRING		
1-14	LE1215001	1	ADF MOTOR		
1-15	LG2201001	1	ADF MOTOR HARNESS		
1-16	0A4300605	2	SCREW, PAN (S/P WASHER) M3X6		
1-17	LG2016001	1	GROUNDING WIRE		
1-18	087310815	2	TAPTITE, CUP B M3X8		√
1-19	LE2026001	1	UPPER LF ROLLER (GRAY)		
1-20	LE2029001	1	LOWER LF ROLLER (BLACK)		
1-21	LE2028001	1	DOCUMENT EJECTION ROLLER		
1-22	UF8105001	3	CONDUCTIVE BUSHING		
1-23	UU7039001	4	LF ROLLER GEAR 27		
1-24	LE2030001	1	WHITE ROLLER		
1-25	LE2032001	2	WHITE ROLLER BUSHING		
1-26	LE2033001	2	EXTENSION SPRING		
1-27	LE2919001	1	DOCUMENT FEED ROLLER HOLDER ASSY		
(1-27-1)	LE2037001	2	DOCUMENT FEED ROLLER (RUBBER)		
1-28	UU1290001	4	CONDUCTIVE BUSHING		
1-29	UU7505001	1	ANTI-STATIC BRUSH		
1-30	087320616	3	TAPTITE, CUP S M3X6		
1-31	UF0208001	1	ADF ARM		
1-32	LE2048001	1	DOCUMENT EJECTION CHUTE ASSY		
1-32-1	LE2582001	2	PINCH ROLLER		
1-32-2	UU2009001	2	PINCH ROLLER SPRING		
1-33	LE2050001	1	ADF SIDE COVER F, WHITE(1495)		
1-34	LE2051001	1	ADF SIDE COVER R, WHITE(1495)		
1-35	LE2534001	1	ADF COVER ASSY, WHITE(1495)		
1-36	087320816	2	TAPTITE, CUP S M3X8		
2	UF8088001	1	PLASTIC RETAINING RING		
3	LE2053001	2	ADF SUPPORT		
4	087310816	2	TAPTITE, CUP B M3X8		
5	LE2056001	1	DOCUMENT TRAY, WHITE(1495)		
6	LE2487001	1	DOCUMENT SPONGE		
7	LE3426001	1	DOCUMENT CHUTE, WHITE(1495)		
8	LE2567001	2	HINGE A		
9	087311015	6	TAPTITE, CUP B M3X10		√
10	LE2777001	1	DOCUMENT SUPPORT, WHITE(1495)		
11	087320816	1	TAPTITE, CUP S M3X8		
12	LE2568001	2	HINGE HOLDER A		
13	LE1568001	1	DOCUMENT TRAY REINFORCEMENT PLATE		
14	UF6116001	1	TAPTITE, PAN B M3X6		



List9A(CONTROL PANEL MFC9750)

REF.No.	CODE	Q'TY	DESCRIPTION	REMARKS	ORDER TO BIUK
1	LE1686001	1	CONTROL PANEL ASSY, WHITE(1495), MFC9750 (SP)		
1-1	LE1336001	1	CONTROL PANEL, WHITE(1495), MFC9750		
1-2	LJ4283001	8	KEY, FUNCTION, WHITE(1496)		
1-3	LJ4231002	1	KEY, STOP, PINK(2205)		
1-4	LJ4284001	1	KEY, TEN, WHITE(1495)		
1-5	LJ4285001	1	KEY, START, GREEN(5159)		
1-6	LG2326001	1	CONTROL PANEL PCB ASSY, MFC9750		
1-7	UG4552000	1	LCD		
1-8	LE1556001	1	FPC KEY (SP)		
1-9	087270815	2	TAPTITE, CUP B M2.6X8		
1-10	087310816	6	TAPTITE, CUP B M3X8		
2	LE1483001	1	PANEL SHEET, MFC9750 FOR GER		√
2	LE1490001	1	PANEL SHEET, MFC9750 FOR UK/BEL/NLD/CHE/GNR		√
2	LE1493001	1	PANEL SHEET, MFC9750 FOR FRA		√
2	LE1494001	1	PANEL SHEET, MFC9750 FOR NOR		√
2	LE1501001	1	PANEL SHEET, MFC9750 FOR SPA		√
2	LE1499001	1	PANEL SHEET, MFC9750 FOR ITA		√
2	LE1503001	1	PANEL SHEET, MFC9750 FOR SWE		√
3	087310615	3	TAPTITE, CUP B M3X6		

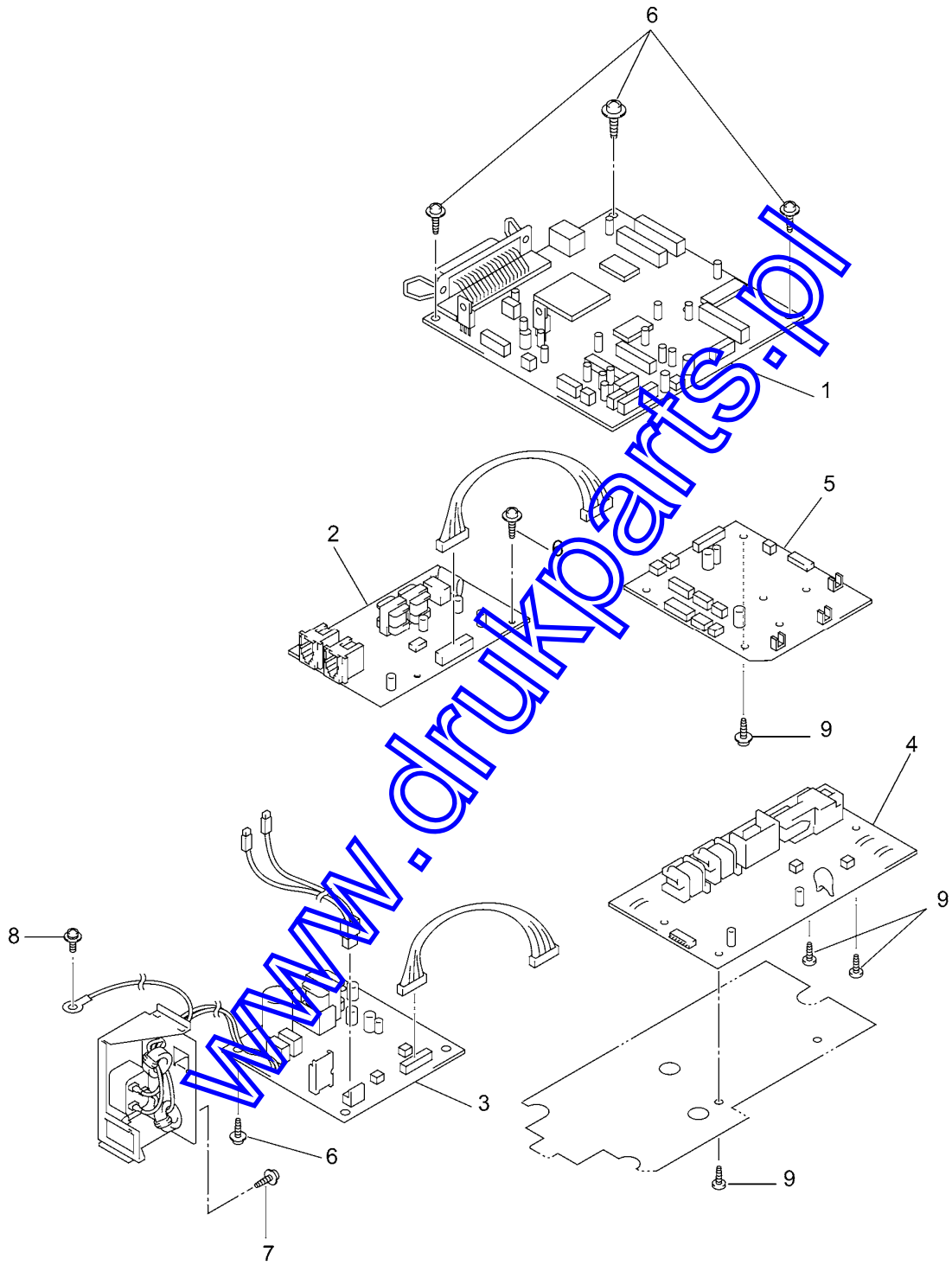
www.drukparts.pl



List9B(C PANEL MFC9850 9870)

REF.No.	CODE	Q'TY	DESCRIPTION	REMARKS	ORDER TO BIUK
1	LE1611001	1	CONTROL PANEL ASSY, WHITE(1495), MFC9850/MFC9870 (SP)		
1-1	LE2273001	1	CONTROL PANEL, WHITE(1495), MFC9850/MFC9870		
1-2	UF4393007	1	KEY, TEN, WHITE(1495)		
1-3	LE2274001	2	KEY, COPY/FAX AREA, WHITE(1495)		
1-4	LE1340001	3	KEY, SCANNER, WHITE(1495)		
1-5	UF8174008	1	KEY, COPY, WHITE(1495)		
1-6	UF8174010	1	KEY, STOP, PINK(2205)		
1-7	UF8174011	1	KEY, START, PURPLE(6255)		
1-8	UF8176009	1	KEY, FUNCTION4, GRAY(1509)		
1-9	UF4576008	3	KEY, SHIFT, WHITE(1495)		
1-10	UF4576010	2	KEY, SHIFT, GRAY(1509)		
1-11	UF9118006	4	KEY, ONE TOUCH, WHITE(1495)		
1-12	LG2138001	1	CONTROL PANEL PCB ASSY, MFC9850/MFC9870		
1-13	UG4552000	1	LCD		
1-14	LG2190001	1	FPC KEY ASSY		
1-15	087270815	2	TAPTITE, CUP B M2.6X8		
1-16	087310816	6	TAPTITE, CUP B M3X8		
2	LE2508001	1	PANEL SHEET-1, MFC9850/MFC9870 FOR GER/AUS		
2	LE2514001	1	PANEL SHEET-1, MFC9850/MFC9870 FOR FRA		
2	LE2277001	1	PANEL SHEET-1, MFC9870 FOR UK/BEL/NLD/CHE/IRE/GNR		
2	LE2811001	1	PANEL SHEET-1, MFC9870 FOR NOR		
2	LE2814001	1	PANEL SHEET-1, MFC9870 FOR DEN		
2	LE1674001	1	PANEL SHEET-1, MFC9870 FOR SPA		
2	LE2820001	1	PANEL SHEET-1, MFC9870 FOR ITA		
2	LE2823001	1	PANEL SHEET-1, MFC9870 FOR SWE		
3	LE1391001	1	PANEL SHEET-2, MFC9850/MFC9870 FOR GER/AUS		
3	LE1404001	1	PANEL SHEET-2, MFC9850/MFC9870 FOR FRA		
3	LE1401001	1	PANEL SHEET-2, MFC9870 FOR UK/BEL/NLD/CHE/IRE/GNR		
3	LE1421001	1	PANEL SHEET-2, MFC9870 FOR NOR		
3	LE1428001	1	PANEL SHEET-2, MFC9870 FOR DEN		√
3	LE1432001	1	PANEL SHEET-2, MFC9870 FOR SPA		
3	LE1436001	1	PANEL SHEET-2, MFC9870 FOR ITA		
3	LE1439001	1	PANEL SHEET-2, MFC9870 FOR SWE		
4	LE1558001	1	LCD SHEET MFC9850 FOR GER		
4	LE1587001	1	LCD SHEET MFC9850 FOR FRA		
4	LE1392001	1	LCD SHEET MFC9870 FOR GER/AUS		
4	LE1402001	1	LCD SHEET MFC9870 FOR UK/BEL/NLD/CHE/IRE/GNR		
4	LE1405001	1	LCD SHEET MFC9870 FOR FRA		
4	LE1422001	1	LCD SHEET MFC9870 FOR NOR		
4	LE1429001	1	LCD SHEET MFC9870 FOR DEN		√
4	LE1433001	1	LCD SHEET MFC9870 FOR SPA		
4	LE1437001	1	LCD SHEET MFC9870 FOR ITA		
4	LE1440001	1	LCD SHEET MFC9870 FOR SWE		
5	LE1341001	1	ADDRESS LABEL		
6	087310816	3	TAPTITE, CUP B M3X8		

www.biukparts.nl

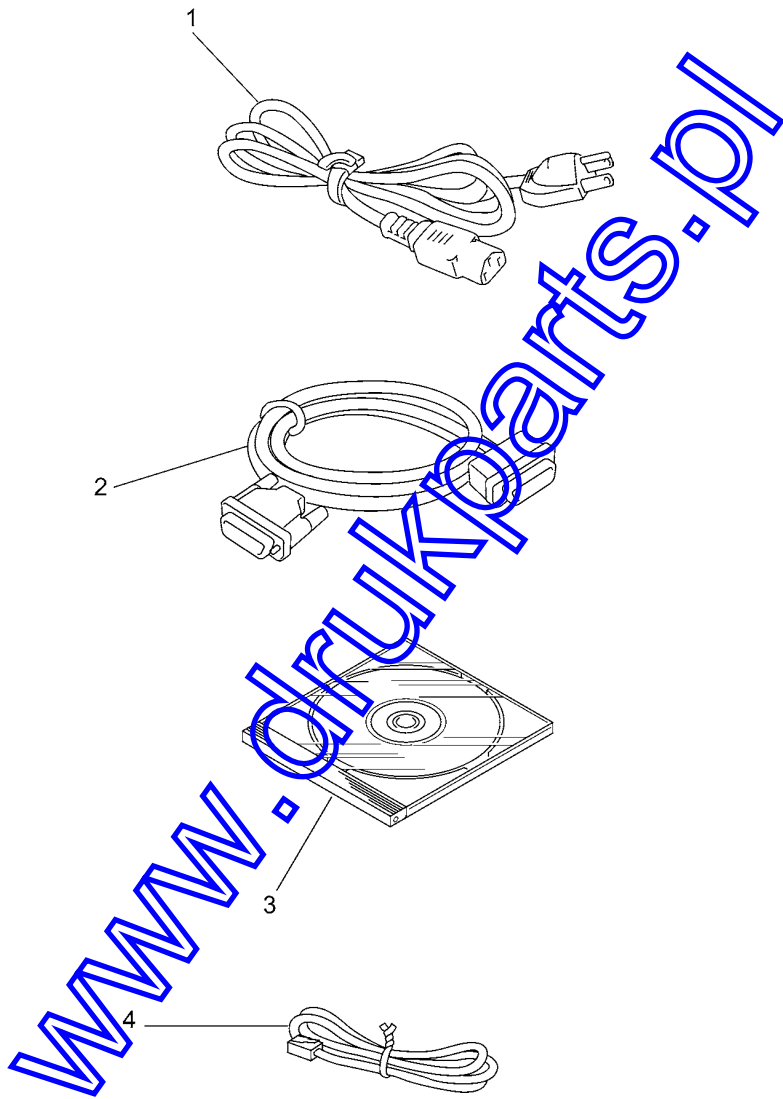




## List10(PCB ASSY)

REF.No.	CODE	Q'TY	DESCRIPTION	REMARKS	ORDER TO BIUK
1	LG2382011	1	MAIN PCB ASSY, MFC9870	CHG	
1	LG2382012	1	MAIN PCB ASSY, MFC9850	CHG	
1	LG2519001	1	MAIN PCB ASSY, MFC9750	CHG	
2	LG2295001	1	NCU PCB ASSY, MFC9850/MFC9870		
3	LG4016001	1	LOW VOLTAGE POWER SUPPLY PCB ASSY, 230V		
4	LE1364001	1	HIGH VOLTAGE POWER SUPPLY PCB ASSY (SP)		
5	LG2364001	1	ENGINE PCB ASSY		
6	087320616	5	TAPTITE, CUP S M3X6		
7	084320815	1	SCREW, FLAT S M3X8		
8	LM2048001	1	SCREW, PAN (WASHER) M3.5X6	chg	
9	085411215	4	TAPTITE, BIND B M4X12		

[www.drukparts.pl](http://www.drukparts.pl)



## List11(Accessories)

REF.No.	CODE	Q'TY	DESCRIPTION	REMARKS	ORDER TO BIUK
1	LG4424001	1	AC CORD, MFC9750 FOR GER/FRA/NOR/BEL/NLD/SPA/ITA/SWE/GNR, MFC9870 FOR NOR/BEL/NLD/AUS/SPA/ITA/SWE/GNR	CHG	√
1	LG2085001	1	AC CORD, MFC9850/MFC9870 FOR GER/FRA		
1	LG2359001	1	AC CORD, MFC9750 FOR UK, MFC9870 FOR IRE		√
1	LG2086001	1	AC CORD, MFC9870 FOR UK		
1	LG4718001	1	AC CORD, MFC9750 FOR CHE	CHG	√
1	LG2361001	1	AC CORD, MFC9870 FOR DEN		√
2	UG4558001	1	INTERFACE CABLE, MFC9750 FOR GER/UK/GNR, MFC9850 FOR UK, MFC9870 FOR GER/UK/IRE/AUS/GNR		
3	LE1716001	1	CD-ROM ASSY FOR MFC9750/MFC9850		√
3	LE1393001	1	CD-ROM ASSY FOR MFC9870		
4	UG3625001	1	TELEPHONE LINE CORD, MFC9850/MFC9870 FOR GER		√
4	UG3627001	1	TELEPHONE LINE CORD, MFC9850/MFC9870 FOR FRA		√
4	UG3626001	1	TELEPHONE LINE CORD, MFC9870 FOR UK		√
4	UG3631001	1	TELEPHONE LINE CORD, MFC9870 FOR NLD		√
4	UG3469000	1	TELEPHONE LINE CORD, MFC9870 FOR CHE		√
4	UG1570001	1	TELEPHONE LINE CORD, MFC9870 FOR IRE/SPA/GNR		
4	UG3633001	1	TELEPHONE LINE CORD, MFC9870 FOR DEN		√
4	UG4205001	1	TELEPHONE LINE CORD, MFC9870 FOR AUS		√
4	UG3634001	1	TELEPHONE LINE CORD, MFC9870 FOR ITA		√
4	UG3635001	1	TELEPHONE LINE CORD, MFC9870 FOR SWE		√

www.drukparts.pl

List12(PRINTED MATERIAL)

REF.No.	CODE	QTY	DESCRIPTION	REMARKS	ORDER TO BIUK
(1)	LE1487001	1	OWNER'S MANUAL ASSY, MFC9750 FOR GER (INCLUDING OWNER'S MANUAL(1-1), WARRANTY CARD)		√
(1)	LE1491001	1	OWNER'S MANUAL ASSY, MFC9750 FOR UK (INCLUDING OWNER'S MANUALS(1-1), 3 WARRANTY CARDS)		√
(1)	LE1492001	1	OWNER'S MANUAL ASSY, MFC9750 FOR FRA (INCLUDING OWNER'S MANUAL(1-1), 2 WARRANTY CARDS)		√
(1)	LE1495001	1	OWNER'S MANUAL ASSY, FAX9750 FOR NOR (INCLUDING OWNER'S MANUAL(1-1), 2 WARRANTY CARDS)		√
(1)	LE1496001	1	OWNER'S MANUAL ASSY, FAX9750 FOR BEL (INCLUDING 2 OWNER'S MANUALS(1-1), WARRANTY CARD)		√
(1)	LE1497001	1	OWNER'S MANUAL ASSY, FAX9750 FOR NLD (INCLUDING OWNER'S MANUAL(1-1), WARRANTY CARD)		√
(1)	LE1498001	1	OWNER'S MANUAL ASSY, FAX9750 FOR CHE (INCLUDING 2 OWNER'S MANUALS(1-1), WARRANTY CARD)		√
(1)	LE1721001	1	OWNER'S MANUAL ASSY, FAX9750 FOR DEN (INCLUDING OWNER'S MANUAL(1-1), 2 WARRANTY CARDS)		√
(1)	LE1502001	1	OWNER'S MANUAL ASSY, FAX9750 FOR SPA (INCLUDING OWNER'S MANUAL(1-1), 2 WARRANTY CARDS)		√
(1)	LE1500001	1	OWNER'S MANUAL ASSY, FAX9750 FOR ITA (INCLUDING OWNER'S MANUAL(1-1), WARRANTY CARD)		√
(1)	LE1504001	1	OWNER'S MANUAL ASSY, FAX9750 FOR SWE (INCLUDING OWNER'S MANUAL(1-1), 2 WARRANTY CARDS)		√
(1)	LE1732001	1	OWNER'S MANUAL ASSY, FAX9750 FOR GNR (INCLUDING OWNER'S MANUAL(1-1))		√
(1)	LE1583001	1	OWNER'S MANUAL ASSY, FAX9850 FOR GER (INCLUDING OWNER'S MANUAL(1-1), WARRANTY CARD)		
(1)	LE1588001	1	OWNER'S MANUAL ASSY, FAX9850 FOR FRA (INCLUDING OWNER'S MANUAL(1-1), 2 WARRANTY CARDS)		
(1)	LE1396001	1	OWNER'S MANUAL ASSY, FAX9870 FOR GER (INCLUDING OPERATION MANUAL(1-1), MFL MANUAL(1-2), WARRANTY CARD)		
(1)	LE1399001	1	OWNER'S MANUAL ASSY, FAX9870 FOR UK (INCLUDING OPERATION MANUAL(1-1), MFL MANUAL(1-2), 3 WARRANTY CARDS)		
(1)	LE1406001	1	OWNER'S MANUAL ASSY, FAX9870 FOR FRA (INCLUDING OPERATION MANUAL(1-1), MFL MANUAL(1-2), WARRANTY CARD)		
(1)	LE1423001	1	OWNER'S MANUAL ASSY, FAX9870 FOR NOR (INCLUDING OPERATION MANUAL(1-1), MFL MANUAL(1-2), 2 WARRANTY CARDS)		√
(1)	LE1424001	1	OWNER'S MANUAL ASSY, FAX9870 FOR BEL (INCLUDING 2 OPERATION MANUALS(1-1), MFL MANUAL(1-2), WARRANTY CARD)		√
(1)	LE1426001	1	OWNER'S MANUAL ASSY, FAX9870 FOR NLD (INCLUDING OPERATION MANUAL(1-1), MFL MANUAL(1-2), WARRANTY CARD)		√
(1)	LE1408001	1	OWNER'S MANUAL ASSY, FAX9870 FOR CHE (INCLUDING 2 OPERATION MANUALS(1-1), MFL MANUAL(1-2), WARRANTY CARD)		√
(1)	LE1427001	1	OWNER'S MANUAL ASSY, FAX9870 FOR IRE (INCLUDING OPERATION MANUAL(1-1), MFL MANUAL(1-2), WARRANTY CARD)		√
(1)	LE1430001	1	OWNER'S MANUAL ASSY, FAX9870 FOR DEN (INCLUDING OPERATION MANUAL(1-1), MFL MANUAL(1-2), WARRANTY CARD)		√
(1)	LE1684001	1	OWNER'S MANUAL ASSY, FAX9870 FOR AUS (INCLUDING OPERATION MANUAL(1-1), MFL MANUAL(1-2), WARRANTY CARD)		√
(1)	LE1434001	1	OWNER'S MANUAL ASSY, FAX9870 FOR SPA (INCLUDING OPERATION MANUAL(1-1), MFL MANUAL(1-2), 2 WARRANTY CARDS)		√

## List12(PRINTED MATERIAL)

REF.No.	CODE	QTY	DESCRIPTION	REMARKS	ORDER TO BIUK
(1)	LE1438001	1	OWNER'S MANUAL ASSY, FAX9870 FOR ITA (INCLUDING OPERATION MANUAL(1-1), MFL MANUAL(1-2), WARRANTY CARD)		√
(1)	LE1441001	1	OWNER'S MANUAL ASSY, FAX9870 FOR SWE (INCLUDING OPERATION MANUAL(1-1), MFL MANUAL(1-2), 2 WARRANTY CARDS)		√
(1)	LE1733001	1	OWNER'S MANUAL ASSY, FAX9870 FOR GNR (INCLUDING OPERATION MANUAL(1-1), MFL MANUAL(1-2))		√
(1-1)	LE1488003	1	OWNER'S MANUAL, MFC9750 FOR GER		√
(1-1)	LE1488004	1	OWNER'S MANUAL, MFC9750 FOR UK/GNR		√
(1-1)	LE1488005	1	OWNER'S MANUAL, MFC9750 FOR FRA		√
(1-1)	LE1488007	1	OWNER'S MANUAL, MFC9750 FOR NOR		√
(1-1)	LE1488008	1	OWNER'S MANUAL, MFC9750 FOR BEL/CHE <FRENCH>		√
(1-1)	LE1488009	1	OWNER'S MANUAL, MFC9750 FOR BEL/NLD <DUTCH>		√
(1-1)	LE1488010	1	OWNER'S MANUAL, MFC9750 FOR CHE <GERMAN>		√
(1-1)	LE1488013	1	OWNER'S MANUAL, MFC9750 FOR DEN		√
(1-1)	LE1488015	1	OWNER'S MANUAL, MFC9750 FOR SPA		√
(1-1)	LE1488016	1	OWNER'S MANUAL, MFC9750 FOR ITA		√
(1-1)	LE1488026	1	OWNER'S MANUAL, MFC9750 FOR SWE		√
(1-1)	LE1584001	1	OWNER'S MANUAL, MFC9850 FOR GER		
(1-1)	LE1397005	1	OWNER'S MANUAL, MFC9850/MFC9870 FOR FRA		
(1-1)	LE1397003	1	OPERATION MANUAL, MFC9870 FOR GER/AUS		
(1-1)	LE1397004	1	OPERATION MANUAL, MFC9870 FOR UK/IRE/GNR		
(1-1)	LE1397007	1	OPERATION MANUAL, MFC9870 FOR NOR		√
(1-1)	LE1397008	1	OPERATION MANUAL, MFC9870 FOR BEL/CHE <FRENCH>		√
(1-1)	LE1397009	1	OPERATION MANUAL, MFC9870 FOR BEL/NLD <DUTCH>		√
(1-1)	LE1397010	1	OPERATION MANUAL, MFC9870 FOR CHE <GERMAN>		√
(1-1)	LE1979013	1	OPERATION MANUAL, MFC9870 FOR DEN		√
(1-1)	LE1397015	1	OPERATION MANUAL, MFC9870 FOR SPA		√
(1-1)	LE1397016	1	OPERATION MANUAL, MFC9870 FOR ITA		√
(1-1)	LE1397026	1	OPERATION MANUAL, MFC9870 FOR SWE		√
(1-2)	LE1398001	1	MFL MANUAL, MFC9870 FOR GER/UK/FRA/BEL/NLD/CHE/IRE/AUS/GNR		
(1-2)	LE1398007	1	MFL MANUAL, MFC9870 FOR NOR/DEN/SPA/ITA/SWE		√
(1-3)	LE1031013	1	OWNER'S MANUAL, MFC9870 FOR DEN (ORIGINALLY PROVIDED FOR FAX8350P)		√

## List13(CARTON)

REF.No.	CODE	Q'TY	DESCRIPTION	REMARKS	ORDER TO BIUK
(1)	LE1480001	1	CARTON, BROTHER MFC9750		
(1)	LE1585001	1	CARTON, BROTHER MFC9850		
(1)	LE1387001	1	CARTON, BROTHER MFC9870		
(2)	LE1232001	1	STYROFOAM ASSY		
(3)	UE1688001	1	POLYETHYLENE BAG FOR MACHINE, 1000X1000 EXCEPT FOR FRA		
(3)	UE1688002	1	POLYETHYLENE BAG FOR MACHINE, 1000X1000 FOR FRA		
(4)	UE3122001	1	CARTON FOR MANUAL		
(5)	LJ4546001	1	BAG FOR DRUM/TONER, 400X480		

[www.drukparts.pl](http://www.drukparts.pl)

**brother**

[www.drumparts.pl](http://www.drumparts.pl)