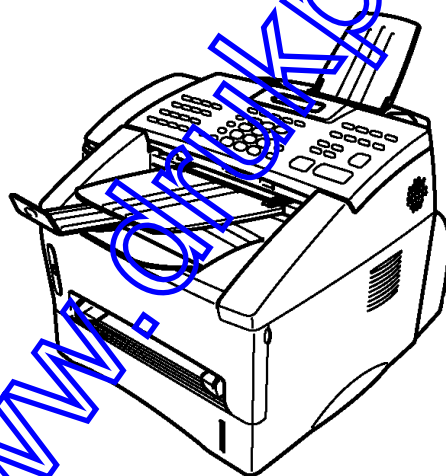


brother®

FACSIMILE EQUIPMENT PARTS REFERENCE LIST

**MODEL: FAX8350P / 8750P
MFC9650**

(For Germany / United Kingdom / France /
Norway / Belgium / Netherlands /
Switzerland / Denmark / Spain / Austria/
Italy / Sweden / Euro Generic)



www.drukparts.pl

© Copyright Brother 1999

All rights reserved

No part of this publication may be reproduced in any form or by any means without permission in writing from the publisher.

Specifications are subject to change without prior notice.

NOTES FOR USING THIS PARTS REFERENCE LIST

1. In the case of ordering parts, it needs mentioning the following items:

- (1) Code
- (2) Q' ty
- (3) Description

Note: No orders without Parts Code or Tool No. can be accepted.

[Example]

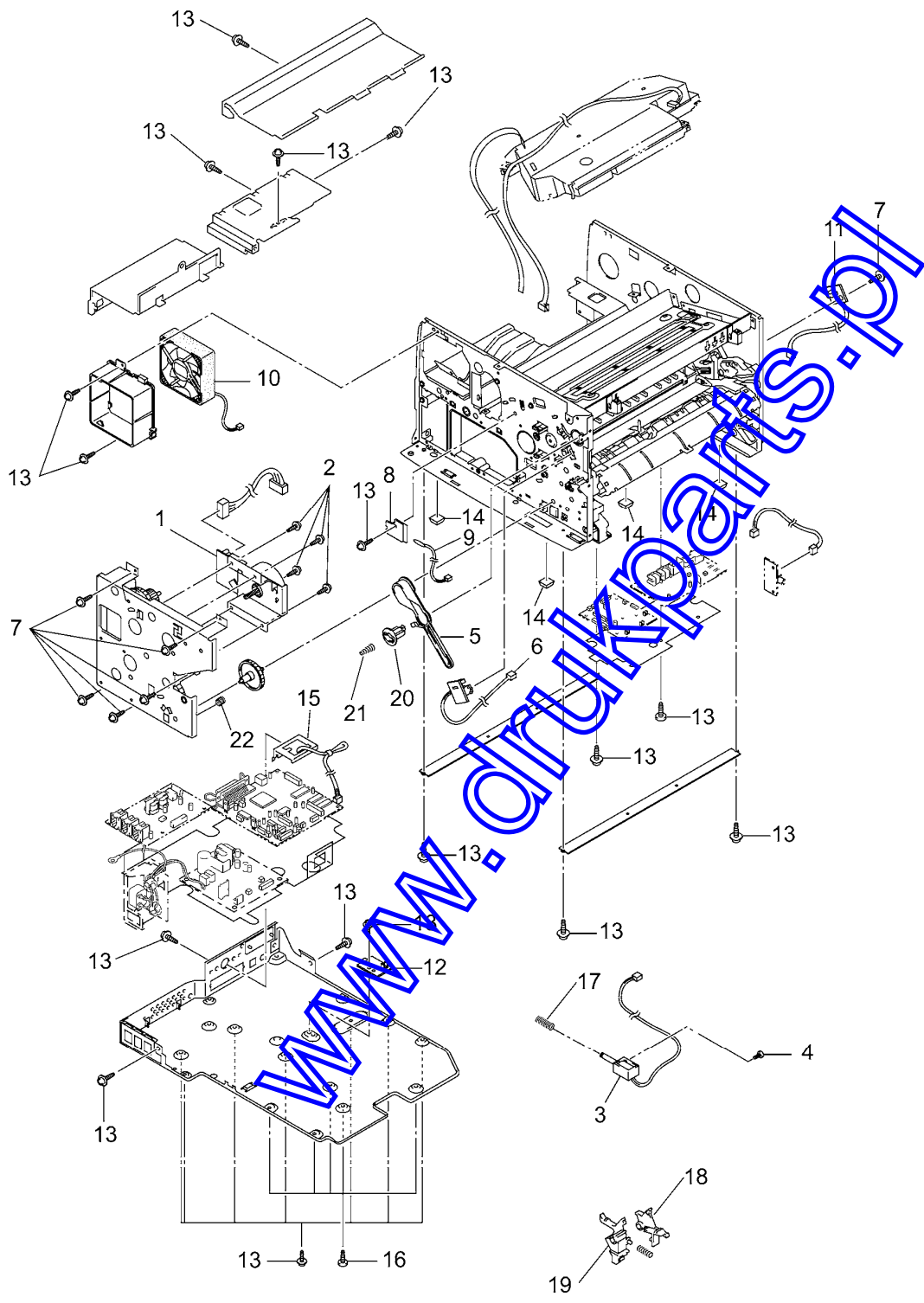
| | (1) | (2) | (3) | |
|---------|------|-------|-------------|---------|
| REF.NO. | CODE | Q' TY | DESCRIPTION | REMARKS |
| | | | | |

2. Parts change will be informed by the technical information.

COUNTRIES

- GERMANY ----- GER
- UNITED KINGDOM ----- UK
- FRANCE ----- FRA
- NORWAY ----- NOR
- BELGIUM ----- BEL
- NETHERLANDS ----- NLD
- SWITZERLAND ----- CHE
- IRELAND ----- IRE
- DENMARK ----- DEN
- AUSTRIA ----- AUS
- SPAIN ----- SPA
- ITALY ----- ITA
- SWEDEN ----- SWE
- EURO GENERIC ----- GNR

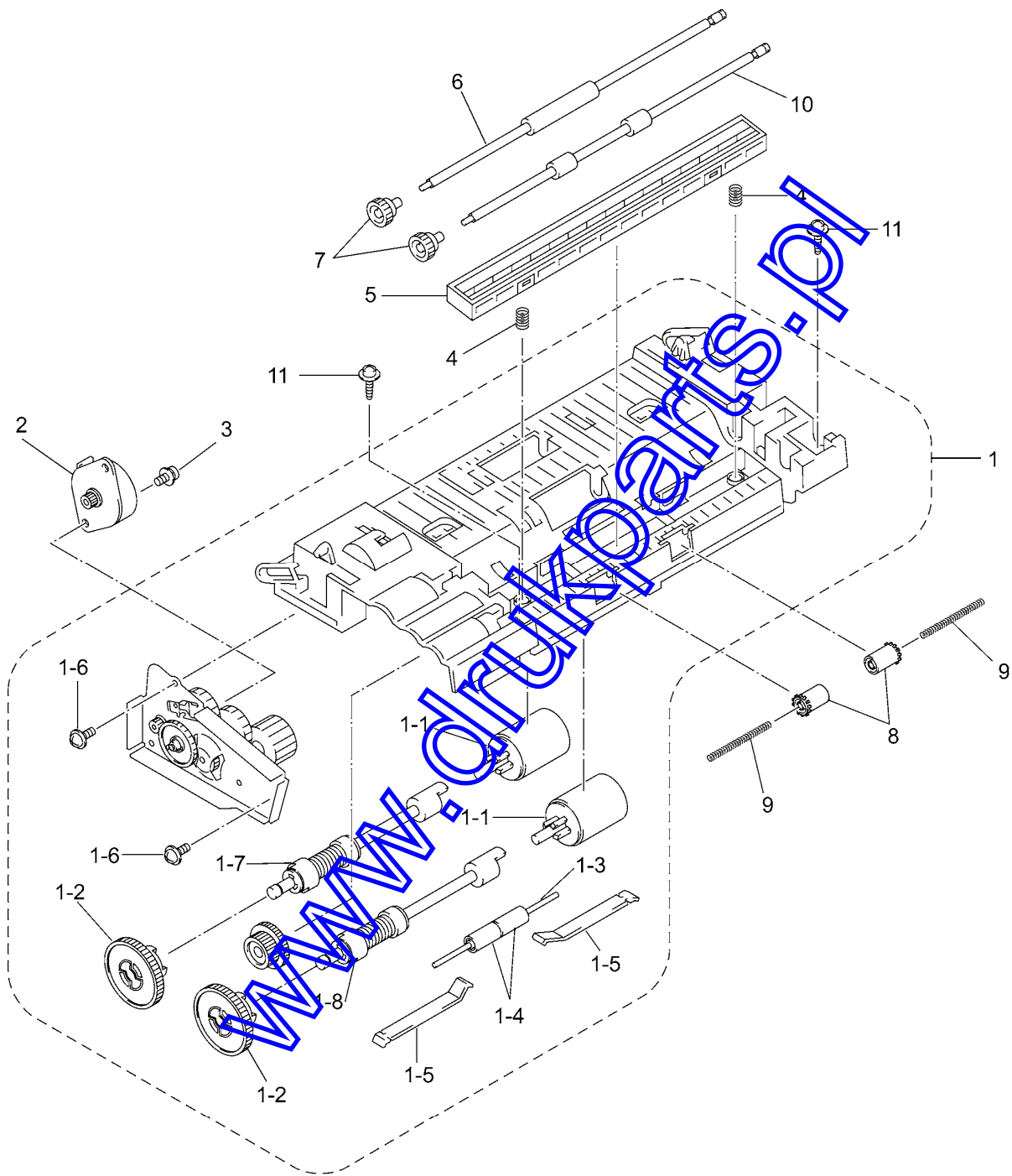
www.drukparts.pl



List1(MAIN FRAME)

| REF.NO. | CODE | Q'TY | DESCRIPTION | REMARKS |
|---------|-----------|------|----------------------------------|---------|
| 1 | UL9311001 | 1 | MAIN MOTOR ASSY | |
| 2 | 087320616 | 4 | TAPTITE, CUP S M3X6 | |
| 3 | LJ4069001 | 1 | SOLENOID ASSY | |
| 4 | 000300415 | 1 | SCREW, BIND M3X4 | |
| 5 | UL8984001 | 1 | FRONT COVER LINK | |
| 6 | UL9099001 | 1 | TONER SENSOR (LED) PCB | |
| 7 | 087320616 | 6 | TAPTITE, CUP S M3X6 | |
| 8 | LE1166001 | 1 | THERMISTOR FILM | |
| 9 | LE1284001 | 1 | IN CASING TEMPERATURE THERMISTOR | |
| 10 | LJ4745001 | 1 | FAN | |
| 11 | UL9104001 | 1 | TONER SENSOR (RECEIVER) PCB | |
| 12 | UG6217001 | 1 | PAPER EJECTION SENSOR PCB | |
| 13 | 087320616 | 23 | TAPTITE, CUP S M3X6 | |
| 14 | LJ7403001 | 4 | RUBBER FOOT | |
| 15 | LJ8031001 | 1 | 2ND CASSETTE RELAY PCB | |
| 16 | 085411215 | 5 | SCREW, BIND B TITE M4X12 | |
| 17 | UL8970001 | 1 | SOLENOID RELEASE SPRING | |
| 18 | UL8972001 | 1 | P/R CLUTCH LEVER | |
| 19 | UL8971001 | 1 | F/R CLUTCH LEVER | |
| 20 | UL8982001 | 1 | DEVELOP JOINT | |
| 21 | UL8983001 | 1 | JOINT SPRING | |
| 22 | UL8950004 | 4 | FRICTION SPRING | |

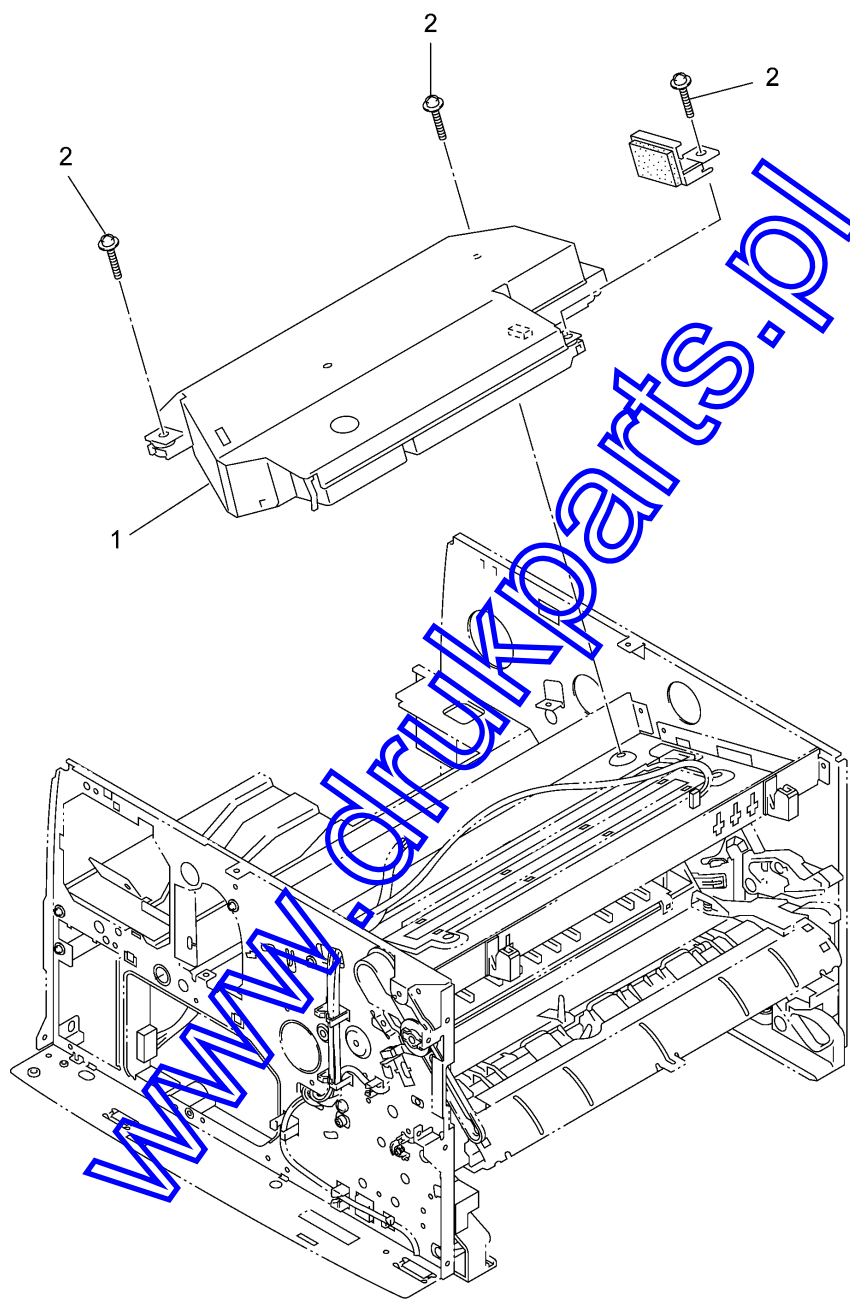
www.drukparts.pl



List2(DOCUMENT SCANNER)

| REF.NO. | CODE | Q'TY | DESCRIPTION | REMARKS |
|---------|-----------|------|-------------------------------------------|---------|
| 1 | LE1164001 | 1 | SCANNER FRAME ASSY (SP) | |
| 1-1 | LE1072001 | 2 | DOCUMENT SEPARATION ROLLER | |
| 1-2 | UL5632000 | 2 | DOCUMENT SEPARATION ROLLER GEAR | |
| 1-3 | UF4369000 | 1 | PRESSURE ROLLER SHAFT | |
| 1-4 | UF9009001 | 2 | PRESSER ROLLER | |
| 1-5 | UU7032001 | 2 | PRESSER ROLLER LEAF SPRING | |
| 1-6 | 087310815 | 2 | TAPTITE, CUP B M3X8 | |
| 1-7 | UU2006001 | 1 | DOCUMENT TAKE-IN ROLLER SHAFT ASSY, WHITE | |
| 1-8 | UU2008001 | 1 | SEPARATION ROLLER SHAFT ASSY, BLACK | |
| 2 | UU2027001 | 1 | SCANNER MOTOR | |
| 3 | 0A4300605 | 1 | SCREW, PAN (WASHER) M3X6DA | |
| 4 | UU2028001 | 2 | CIS SPRING | |
| 5 | LE1160001 | 1 | CIS UNIT (SP) | |
| 6 | UU2029001 | 1 | DOCUMENT FEED ROLLER | |
| 7 | LE1196001 | 2 | DOCUMENT FEED ROLLER ROLLER GEAR | |
| 8 | UL6244002 | 2 | PINCH ROLLER | |
| 9 | UU2009001 | 2 | PINCH ROLLER SPRING | |
| 10 | UU2031001 | 1 | DOCUMENT EJECTION ROLLER | |
| 11 | 087311016 | 2 | TAPTITE, CUP B M3X10 | |

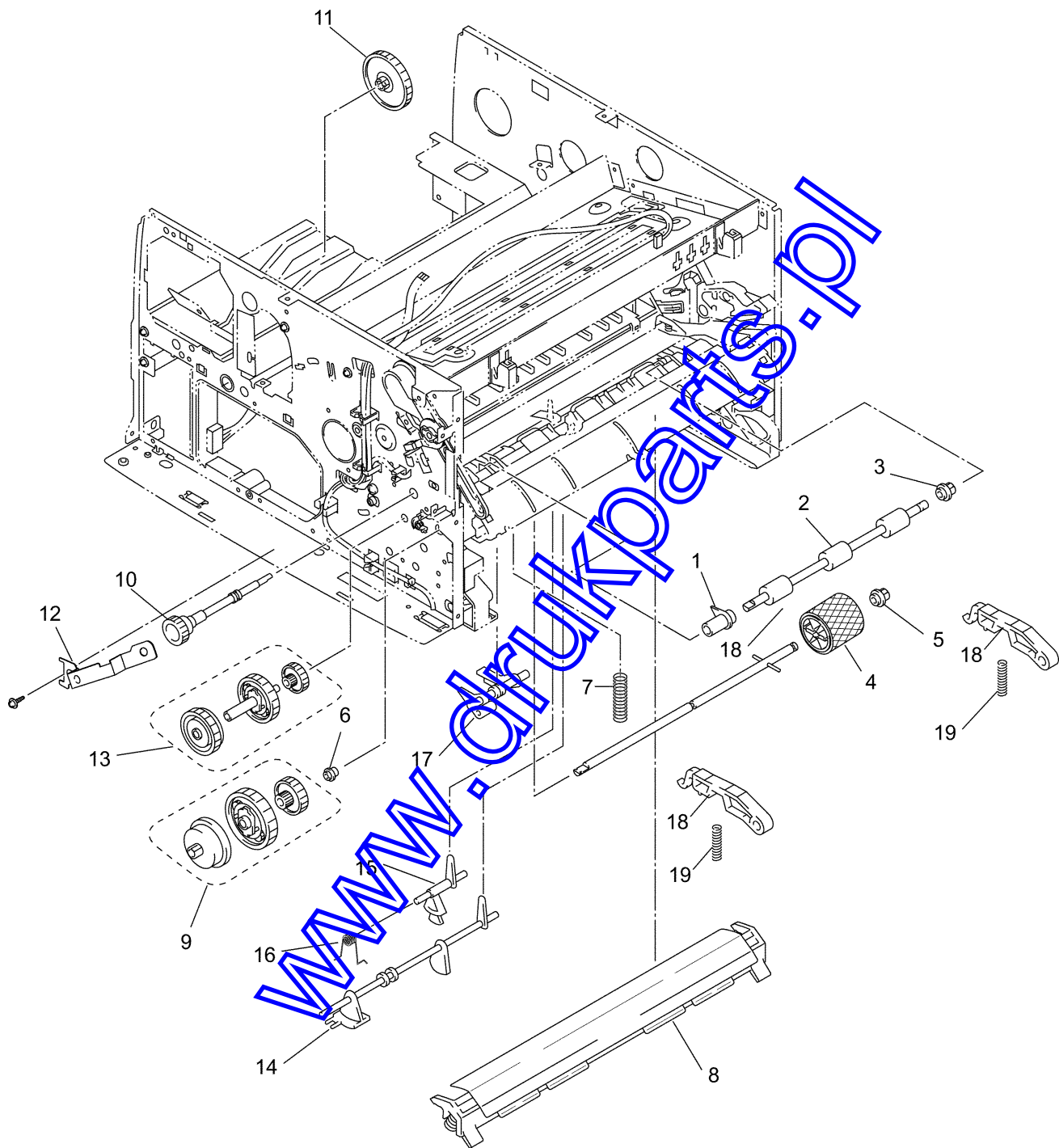
www.drukparts.nl



List3(LASER UNIT)

| REF.No. | CODE | Q'TY | DESCRIPTION | REMARKS |
|---------|-----------|------|----------------------|---------|
| 1 | LJ4157001 | 1 | LASER UNIT (SP) | |
| 2 | 087321615 | 3 | TAPTITE, CUP S M3X16 | |

www.drukparts.pl

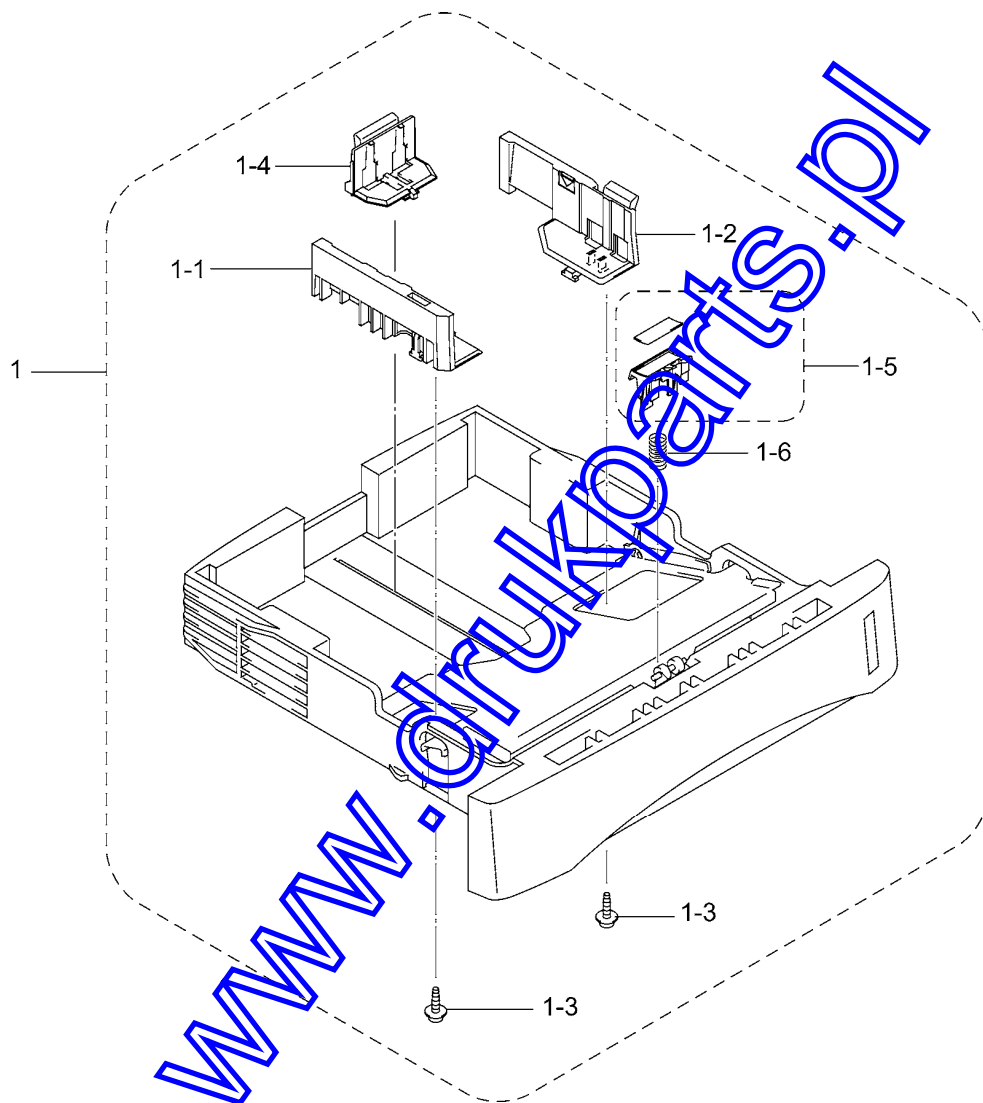


List4(PAPER TRANSPORT)

To replace part marked with an asterisk(*), you need to confirm if the PAPER CHUTE part is early type or later type. Please refer T/I No.FAX99448 for details.

| REF.No. | CODE | Q'TY | DESCRIPTION | REMARKS |
|---------|-----------|------|--------------------------------------|---------|
| 1 | UL9059001 | 1 | JOINT | |
| 2 | UL9060001 | 1 | PAPER FEED ROLLER ASSY | |
| 3 | UL9062001 | 1 | PAWLED BUSHING | |
| 4 | UL9066001 | 1 | PAPER PICKUP ROLLER | |
| 5 | UL9062001 | 1 | PAWLED BUSHING | |
| 6 | UL9069001 | 1 | CONDUCTIVE BUSHING | |
| *7 | UL9071001 | 1 | ELECTRODE SPRING (FOR EARLY LOT) | |
| *7 | LJ4499001 | 1 | ELECTRODE SPRING (FOR LATER LOT) | |
| 8 | LJ4843001 | 1 | OUTER CHUTE 1 (SP) | |
| 9 | LJ5591001 | 1 | PLANETARY GEAR ASSY (SP) | |
| 10 | UL9070001 | 1 | GEAR 21 | |
| 11 | UL8985001 | 1 | GEAR 59 | |
| 12 | LJ5705001 | 1 | GEAR 21 PRESSURE PLATE | |
| 13 | LJ5838001 | 1 | FEED ROLLER PLANETARY GEAR ASSY (SP) | |
| 14 | UL9049001 | 1 | MANUAL INSERTION SENSOR ACTUATOR | |
| 15 | UL9050001 | 1 | REGISTRATION SENSOR ACTUATOR | |
| 16 | UL9051001 | 1 | REGISTRATION SENSOR SPRING | |
| 17 | UU2042001 | 1 | CASSETTE SENSOR ACTUATOR | |
| 18 | UL9053001 | 2 | TRANSFER ARM | ADD |
| 19 | UL9052001 | 2 | TRANSFER SPRING | ADD |

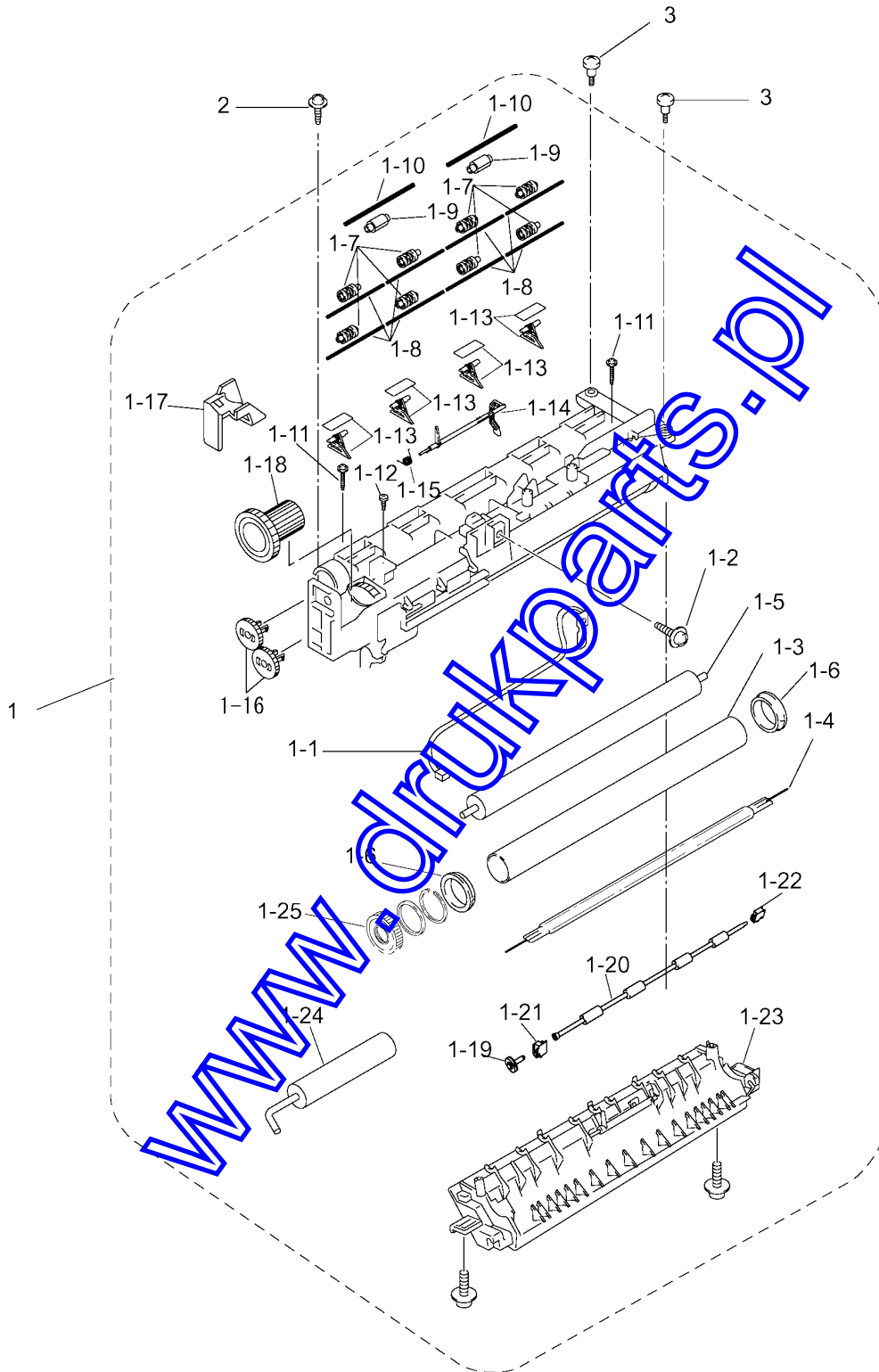
www.drukparts.pl



List5(PAPER TRAY)

| REF.NO. | CODE | Q'TY | DESCRIPTION | REMARKS |
|---------|-----------|------|------------------------------|---------|
| 1 | LJ4181001 | 1 | PAPER TRAY ASSY, A4 (SP) | |
| 1-1 | UL9078001 | 1 | SIDE GUIDE L, GRAY(1496) | |
| 1-2 | UL9079001 | 1 | SIDE GUIDE R, GRAY(1496) | |
| 1-3 | U73515001 | 2 | SCREW, PAN CUP B M2.6X5 | |
| 1-4 | UL9083001 | 1 | PAPER REAR GUIDE, GRAY(1496) | |
| 1-5 | UL9084001 | 1 | SEPARATION PAD SUPPORT ASSY | |
| 1-6 | UL9090001 | 1 | SEPARATION PAD SPRING | |

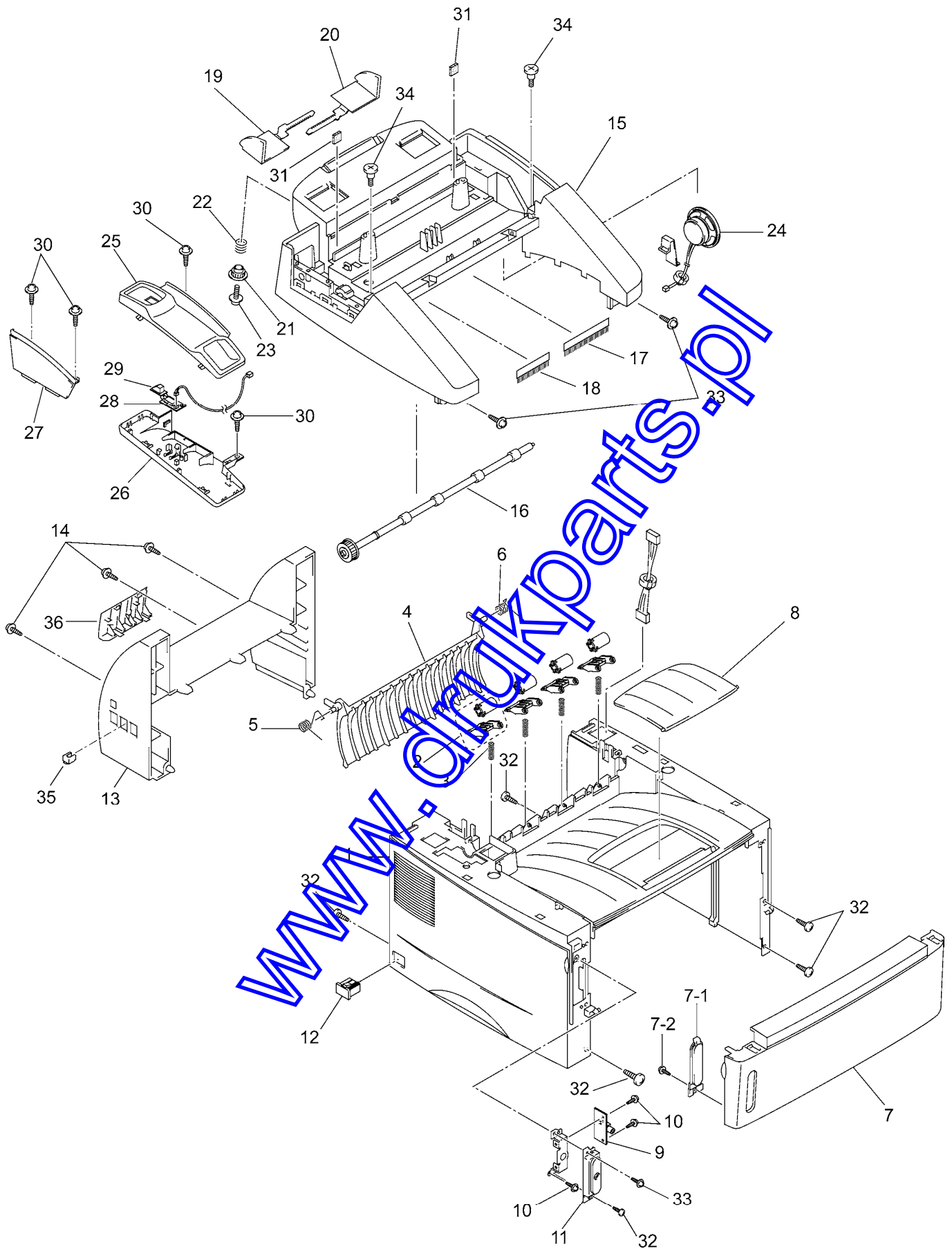
www.drukparts.pl



List6(HEAT FIXING UNIT)

| REF.No. | CODE | Q'TY | DESCRIPTION | REMARKS |
|---------|-----------|------|------------------------------|---------|
| 1 | LJ7760001 | 1 | HEAT FIXING UNIT, 230V (SP) | |
| 1-1 | UL8902001 | 1 | THERMISTOR ASSY | |
| 1-2 | 087311215 | 1 | TAPTITE, CUP B M3X12 | |
| 1-3 | LJ4169001 | 1 | HEAT ROLLER (SP) | |
| 1-4 | LJ4163001 | 1 | FUSER LAMP, 230V (SP) | |
| 1-5 | LJ4853001 | 1 | PRESSURE ROLLER (SP) | |
| 1-6 | UL8908001 | 2 | HR BEARING 25 | |
| 1-7 | UL8929001 | 8 | EJECT PINCH ROLLER | |
| 1-8 | LJ4431001 | 8 | PINCH SPRING | |
| 1-9 | LJ4407001 | 2 | CLEANER ROLLER ASSY | |
| 1-10 | LJ4409001 | 2 | CLEANER SPRING | |
| 1-11 | 087312015 | 2 | TAPTITE, CUP B M3X20 | |
| 1-12 | Z07200001 | 1 | TAPTITE, PAN B M3X10 | |
| 1-13 | LJ4845001 | 4 | PICK OFF FINGER (SP) | |
| 1-14 | UL8920001 | 1 | PAPER EJECT ACTUATOR | |
| 1-15 | UL8921001 | 1 | EJECT ACTUATOR SPRING | |
| 1-16 | UL8914001 | 2 | IDLE GEAR 13 | |
| 1-17 | LJ5871001 | 1 | IDLE GEAR HOLDER | |
| 1-18 | UL8923001 | 1 | FU DRIVER GEAR | |
| 1-19 | LJ7256001 | 1 | EJECT ROLLER SHAFT L | added |
| 1-20 | LJ7257001 | 1 | EJECT ROLLER ASSY R | added |
| 1-21 | LJ7259001 | 1 | EJECT ROLLER BEARING L | added |
| 1-22 | LJ7260001 | 1 | EJECT ROLLER BEARING R | added |
| 1-23 | LJ7261001 | 1 | FU FRAME LOWER 2 | added |
| 1-24 | LJ7262001 | 1 | EJECT ROLLER JAM REMOVE TOOL | added |
| 1-25 | UL8910001 | 1 | HR GEAR 34 | ADDED |
| 2 | 087320815 | 1 | TAPTITE, CUP S M3X8 | |
| 3 | LJ4740001 | 2 | SHOULDER SCREW | |

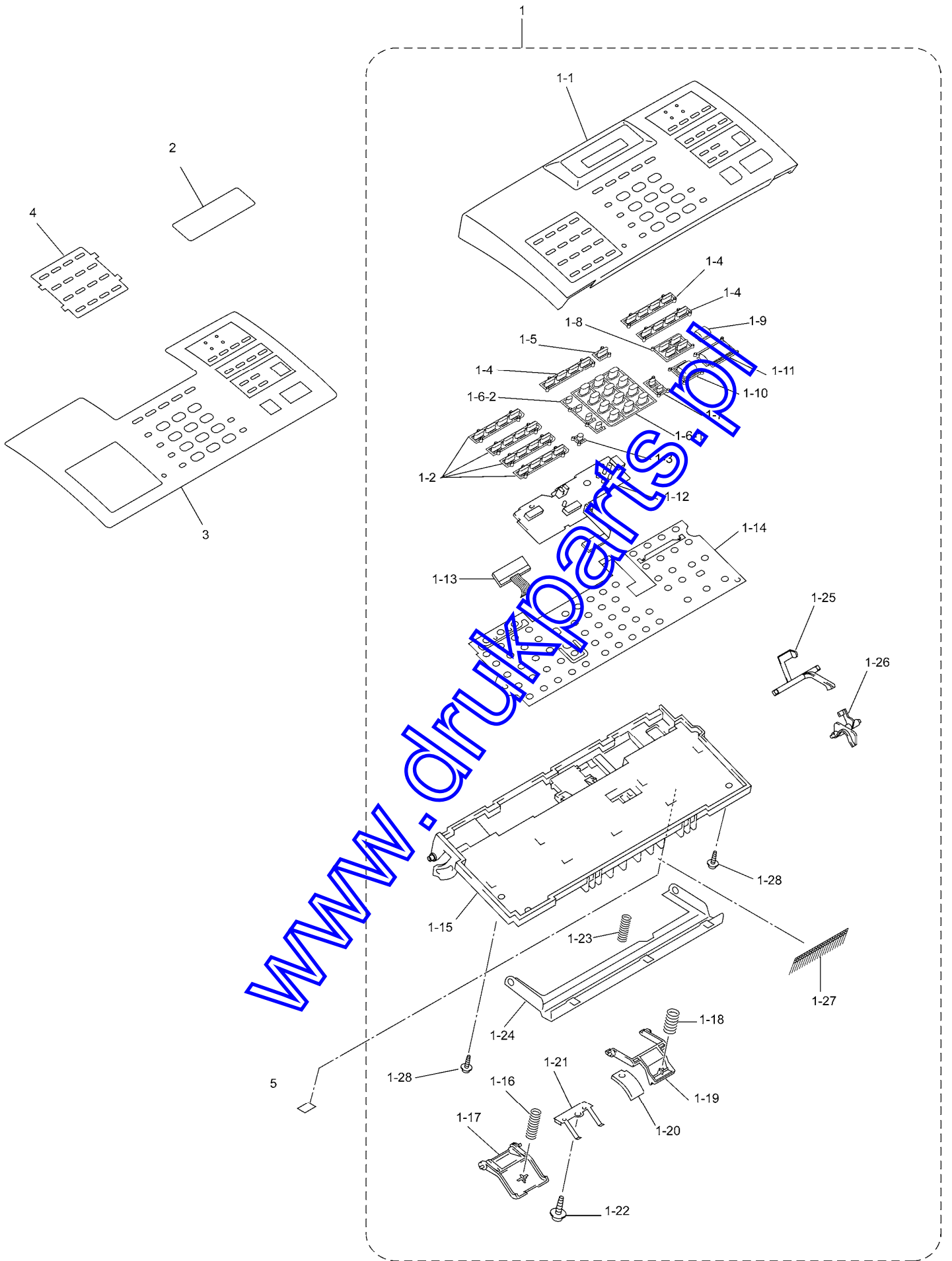
www.drukparts.pl



List7(COVER)

| REF.NO. | CODE | Q'TY | DESCRIPTION | REMARKS |
|---------|-----------|------|-----------------------------------------------------------------------------------------|---------|
| 1 | LJ5753001 | 1 | MAIN COVER ASSY, GRAY(1495) | |
| 2 | UL9122001 | 4 | PINCH ROLLER ASSY | |
| 3 | UL9125001 | 4 | PINCH ROLLER SPRING | |
| 4 | LJ5763001 | 1 | OUTER CHUTE, GRAY(1495) | |
| 5 | UL9127001 | 1 | CHUTE SPRING L | |
| 6 | UL9128001 | 1 | CHUTE SPRING R | |
| 7 | UU2102001 | 1 | FRONT COVER ASSY, | |
| 7-1 | UU2094001 | 1 | FRONT SUB COVER, GRAY(1495) | |
| 7-2 | 087310815 | 1 | TAPTITE, CUP B M3X8 | |
| 8 | UL9140001 | 1 | PAPER SUB TRAY, GRAY(1495) | |
| 9 | ---- | | NOT USED | |
| 10 | ---- | | NOT USED | |
| 11 | ---- | | NOT USED | |
| 12 | UU2045001 | 1 | SWITCH COVER, GRAY(1495) | |
| 13 | UU2002001 | 1 | REAR COVER, GRAY(1495) | |
| 14 | 0A5401006 | 3 | SCREW, PAN (S/P WASHER) M4X10 | |
| 15 | UU2003001 | 1 | TOP COVER, GRAY(1495) | |
| 16 | UL9142001 | 1 | EXIT ROLLER ASSY | |
| 17 | LJ4125001 | 1 | ANTI-STATIC BRUSH (LONG) | |
| 18 | LE1242001 | 1 | ANTI-STATIC BRUSH (SHORT) | |
| 19 | UF6114008 | 1 | DOCUMENT GUIDE, L, GRAY(1495) | |
| 20 | UF6115008 | 1 | DOCUMENT GUIDE, R, GRAY(1495) | |
| 21 | UF4417000 | 1 | GUIDE GEAR | |
| 22 | UF4418001 | 1 | SPRING, COMPRESSION | |
| 23 | UF5034001 | 1 | TAPTITE, B 3X6 | |
| 24 | LG2210001 | 1 | SPEAKER UNIT | |
| 25 | ---- | | NOT USED | |
| 26 | ---- | | NOT USED | |
| 27 | LE1023001 | 1 | SIDE COVER | |
| 28 | ---- | | NOT USED | |
| 29 | ---- | | NOT USED | |
| 30 | 087311016 | 2 | TAPTITE, CUP B M3X10 | |
| 31 | ---- | | NOT USED | |
| 32 | 085320816 | 6 | TAPTITE, BIND S M3X8 | |
| 33 | 087321015 | 2 | TAPTITE, CUP S M3X10 | |
| 34 | UF9823001 | 2 | SHOULDER SCREW | |
| 35 | UF5745000 | 1 | MJ COVER, EXT, FAX8350P/MFC9650/FAX8750P FOR GER/UK/FRA/BEL/NL/S/DEN/AUS/ITA/SWE/GNR | |
| 36 | LE8190001 | 1 | SUB BACK COVER, FAX8350P | |

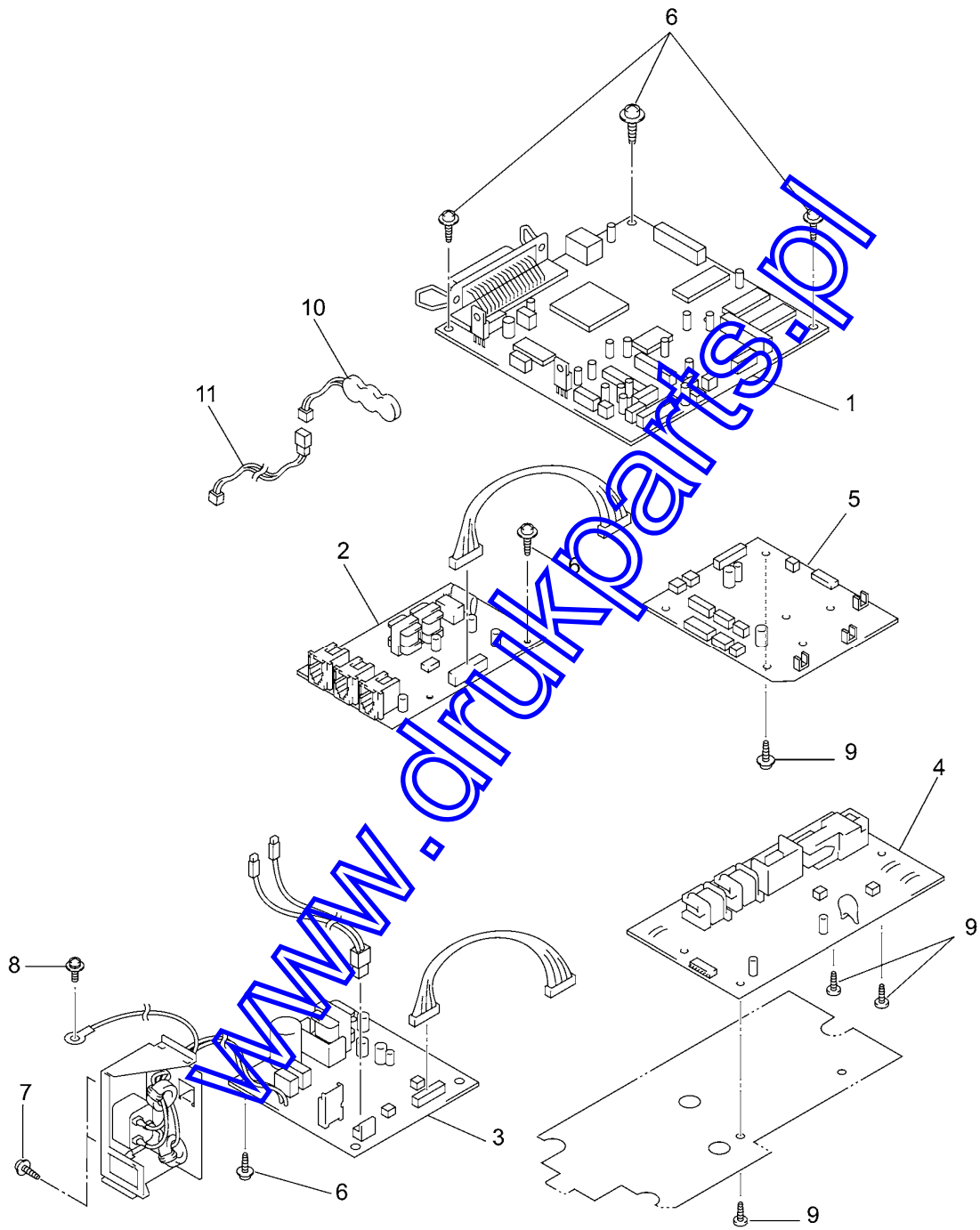
www.druckparts.pl



List8(CONTROL PANEL)

| REF.NO. | CODE | Q'TY | DESCRIPTION | REMARKS |
|---------|-----------|------|-------------------------------------------|---------|
| 1 | LE1250001 | 1 | CONTROL PANEL ASSY, FAX8350P (SP) | |
| 1 | LE1158001 | 1 | CONTROL PANEL ASSY, FAX8750P/MFC9650 (SP) | |
| 1-1 | UU2004001 | 1 | CONTROL PANEL, GRAY(1495) | |
| 1-2 | UF8176008 | 4 | KEY, ONE TOUCH, GRAY(1495) | |
| 1-3 | UF4576008 | 1 | KEY, SHIFT, GRAY(1495) | |
| 1-4 | UF9118006 | 2 | KEY, FUNCTION4, GRAY(1495) | |
| 1-5 | UF5581010 | 1 | KEY, FUNCTION1, GRAY(1495) | |
| 1-6 | UF4393007 | 1 | KEY, TEN, GRAY(1495) | |
| 1-7 | UU7099008 | 1 | KEY, VOLUME, GRAY(1495) | |
| 1-8 | UU7100008 | 1 | KEY, COPY AREA, GRAY(1495) | |
| 1-9 | UF8174008 | 1 | KEY, COPY, GRAY(1495) | |
| 1-10 | UF8173004 | 1 | KEY, STOP, PINK(2205) | |
| 1-11 | UF8172006 | 1 | KEY, SEND, PURPLE(6255) | |
| 1-12 | LG2212001 | 1 | CONTROL PANEL PCB ASSY | |
| 1-13 | UG4552000 | 1 | LCD | |
| 1-14 | LE1155001 | 1 | FPC KEY (SP) | |
| 1-15 | UU2005001 | 1 | PANEL REAR COVER | |
| 1-16 | UU2051001 | 1 | DOCUMENT NIP SPRING | |
| 1-17 | UU2052001 | 1 | DOCUMENT NIP PIECE | |
| 1-18 | UU2053001 | 1 | ADF SPRING | |
| 1-19 | UU2054001 | 1 | SPRING PLATE B | |
| 1-20 | UU2055001 | 1 | SEPARATION RUBBER | |
| 1-21 | UU2056001 | 1 | SPRING PLATE A | |
| 1-22 | UF5034001 | 1 | TAPTITE, B 3X6 | |
| 1-23 | UU2057001 | 1 | DOCUMENT PRESSURE SPRING | |
| 1-24 | LE6342001 | 1 | DOCUMENT PRESSURE BAR ASSY | |
| 1-25 | UU2061001 | 1 | DOCUMENT FRONT SENSOR ACTUATOR | |
| 1-26 | UU2062001 | 1 | DOCUMENT REAR SENSOR ACTUATOR | |
| 1-27 | LE1071001 | 1 | ANTI-STATIC BRUSH | |
| 1-28 | 087310815 | 2 | TAPTITE, CUP B M3X8 | |
| 2 | UU2063001 | 1 | LCD SHEET | |
| 3 | LE1029001 | 1 | PANEL SHEET, FAX8350P FOR GER/ALS | |
| 3 | LE1033001 | 1 | PANEL SHEET, FAX8350P FOR UK/CHE/IRE | |
| 3 | LE1036001 | 1 | PANEL SHEET, FAX8350P FOR FRA | |
| 3 | LE1099001 | 1 | PANEL SHEET, FAX8350P FOR NOR | |
| 3 | LE1144001 | 1 | PANEL SHEET, FAX8350P FOR BEL | |
| 3 | LE1102001 | 1 | PANEL SHEET, FAX8350P FOR HOL | |
| 3 | LE1106001 | 1 | PANEL SHEET, FAX8350P FOR DEN | |
| 3 | LE1731001 | 1 | PANEL SHEET, FAX8350P FOR SPA | |
| 3 | LE1110001 | 1 | PANEL SHEET, FAX8350P FOR SWE | |
| 3 | LE1046001 | 1 | PANEL SHEET, MFC9650 FOR GER | |
| 3 | LE1053001 | 1 | PANEL SHEET, MFC9650 FOR UK/CHE/GNR | |
| 3 | LE1114001 | 1 | PANEL SHEET, MFC9650 FOR NOR | |
| 3 | LE1117001 | 1 | PANEL SHEET, MFC9650 FOR BEL | |
| 3 | LE1120001 | 1 | PANEL SHEET, MFC9650 FOR NLD | |
| 3 | LE1124001 | 1 | PANEL SHEET, MFC9650 FOR DEN | |
| 3 | LE1127001 | 1 | PANEL SHEET, MFC9650 FOR SPA | |
| 3 | LE1130001 | 1 | PANEL SHEET, MFC9650 FOR ITA | |
| 3 | LE1133001 | 1 | PANEL SHEET, MFC9650 FOR SWE | |
| 3 | LE1347001 | 1 | PANEL SHEET, FAX8750P FOR GER | |
| 3 | LE1353001 | 1 | PANEL SHEET, FAX8750P FOR UK/CHE | |
| 3 | LE1354001 | 1 | PANEL SHEET, FAX8750P FOR FRA | |
| 3 | LE1356001 | 1 | PANEL SHEET, FAX8750P FOR NOR | |
| 3 | LE1357001 | 1 | PANEL SHEET, FAX8750P FOR BEL | |
| 3 | LE1359001 | 1 | PANEL SHEET, FAX8750P FOR NLD | |
| 3 | LE1361001 | 1 | PANEL SHEET, FAX8750P FOR ITA | |
| 3 | LE1363001 | 1 | PANEL SHEET, FAX8750P FOR SWE | |
| 3 | LE1713001 | 1 | PANEL SHEET, FAX8750P FOR SPA | |
| 3 | LE1722001 | 1 | PANEL SHEET, FAX8750P FOR DEN | |
| 4 | UU2067001 | 1 | ADDRESS LABEL | |
| 5 | LE1706001 | 2 | HOLE SHIELD FILM | |
| (6) | LE1707001 | 1 | ANTI-STATIC SUB BRUSH | |

FAX8350P,MFC9650,FAX8750P

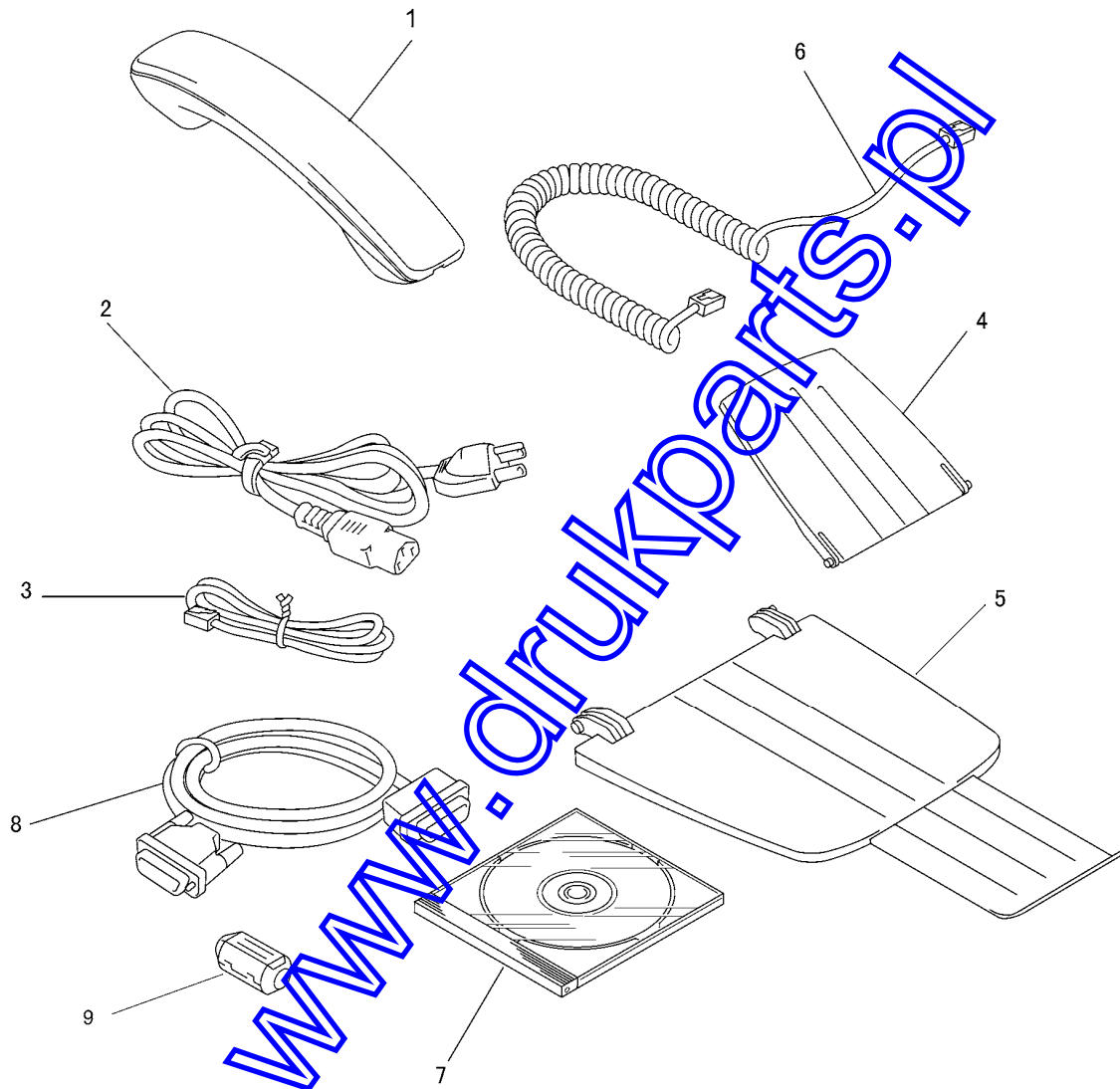


List9(PCB ASSY)

To replace part marked with an asterisk(*), you need to confirm if the PAPER CHUTE part is early type or later type. Please refer T/I No.FAX99448 for details.

| REF.No. | CODE | Q'TY | DESCRIPTION | REMARKS |
|---------|-----------|------|---------------------------------------------------------|---------|
| 1 | LG2082001 | 1 | MAIN PCB ASSY, FAX8350P | |
| 1 | LG2252001 | 1 | MAIN PCB ASSY, MFC9650 | |
| 1 | LG2422001 | 1 | MAIN PCB ASSY, FAX8750P | |
| 2 | LG2295001 | 1 | NCU PCB ASSY, FAX8350P/MFC9650 | CHG |
| 2 | LG2295051 | 1 | NCU PCB ASSY, FAX8750P | CHG |
| 3 | LG4016001 | 1 | LOW VOLTAGE POWER SUPPLY PCB, 230V | |
| *4 | LJ4176001 | 1 | HIGH VOLTAGE POWER SUPPLY PCB ASSY (FOR EARLY LOT) (SP) | |
| *4 | LJ8156001 | 1 | HIGH VOLTAGE POWER SUPPLY PCB ASSY (FOR LATER LOT) (SP) | |
| *5 | LE1163001 | 1 | ENGINE PCB ASSY (FOR EARLY LOT) (SP) | |
| *5 | LG2404001 | 1 | ENGINE PCB ASSY (FOR LATER LOT) (SP) | |
| 6 | 087320616 | 5 | TAPTITE, CUP S M3X6 | |
| 7 | 084320815 | 1 | SCREW, FLAT S M3X8 | |
| 8 | LM2048001 | 1 | SCREW, PAN (WASHER) M3.5X6 | chg |
| 9 | 085411215 | 4 | SCREW, BIND B TITE M4X12 | |

www.drukparts.pl



List10(Accessories)

| REF.No. | CODE | Q'TY | DESCRIPTION | REMARKS |
|---------|-----------|------|--------------------------------------------------------------------------------------------|---------|
| 1 | ---- | | NOT USED | |
| 2 | LG4424001 | 1 | AC CORD BAG ASSY, FAX8350P/MFC9650/FAX8750P FOR GER/FRA/NOR/BEL/NLD/AUS/SPA/ITA/SWE/GNR | CHG |
| 2 | LG2359001 | 1 | AC CORD BAG ASSY, FAX8350P/MFC9650/FAX8750P FOR UK/IRE | |
| 2 | LG4718001 | 1 | AC CORD BAG ASSY, FAX8350P/MFC9650/FAX8750P FOR CHE | CHG |
| 2 | LG2361001 | 1 | AC CORD BAG ASSY, FAX8350P/MFC9650 FOR DEN | |
| 3 | UG3625001 | 1 | TELEPHONE LINE CORD, FAX8350P/MFC9650/FAX8750P FOR GER | |
| 3 | UG3626001 | 1 | TELEPHONE LINE CORD, FAX8350P/MFC9650/FAX8750P FOR UK | |
| 3 | UG3627001 | 1 | TELEPHONE LINE CORD, FAX8350P/FAX8750P FOR FRA | |
| 3 | UG3629001 | 1 | TELEPHONE LINE CORD, FAX8350P/MFC9650/FAX8750P FOR NOR | |
| 3 | UG1575001 | 1 | TELEPHONE LINE CORD, FAX8350P/MFC9650/FAX8750P FOR BEL | |
| 3 | UG3631001 | 1 | TELEPHONE LINE CORD, FAX8350P/MFC9650/FAX8750P FOR NLD | |
| 3 | UG3469000 | 1 | TELEPHONE LINE CORD, FAX8350P/MFC9650/FAX8750P FOR CHE | |
| 3 | UG1570001 | 1 | TELEPHONE LINE CORD, FAX8350P/MFC9650/FAX8750 FOR IRE/SPA/GNR | |
| 3 | UG3633001 | 1 | TELEPHONE LINE CORD, FAX8350P/MFC9650 FOR DEN | |
| 3 | UG4205001 | 1 | TELEPHONE LINE CORD, FAX8350P FOR AUT | |
| 3 | UG3634001 | 1 | TELEPHONE LINE CORD, MFC9650/FAX8750P FOR ITA | |
| 3 | UG3635001 | 1 | TELEPHONE LINE CORD, FAX8350P/MFC9650/FAX8750P FOR SWE | |
| 5 | UU2069001 | 1 | DOCUMENT SUPPORT | |
| 4 | UU2080001 | 1 | DOCUMENT TRAY | |
| 6 | ---- | | NOT USED | |
| 7 | LE1047001 | 1 | CD-ROM ASSY FOR MFC9650 | |
| 7 | LE1716001 | 1 | CD-ROM ASSY FOR FAX8750P | |
| 8 | UG4558001 | 1 | I/F CABLE, MFC9650 FOR GER/UK | |
| 9 | LE0019001 | 1 | FERRITE CORE BAG ASSY, MFC9650 FOR NOR/BEL/NLD/CHE/DEN/SPA/ITA/SWE/GNR, FAX8750P | |

www.drukparts.nl

List11(PRINTED MATERIAL)

| REF.NO. | CODE | Q'TY | DESCRIPTION | REMARKS |
|---------|-----------|------|---------------------------------------------------------------------------------------------------------------------------------------------------------|---------|
| (1) | LE1030001 | 1 | OWNER'S MANUAL ASSY, FAX8350P FOR GER/AUS (INCLUDING OPERATIONS MANUAL(1-1) AND WARRANTY CARD) | |
| (1) | LE1034001 | 1 | OWNER'S MANUAL ASSY, FAX8350P/8750P FOR UK (INCLUDING OPERATIONS MANUAL(1-1) AND 3WARRANTY CARDS) | |
| (1) | LE1037001 | 1 | OWNER'S MANUAL ASSY, FAX8350P/8750P FOR FRA (INCLUDING OPERATIONS MANUAL(1-1) AND 2WARRANTY CARDS) | |
| (1) | LE1100001 | 1 | OWNER'S MANUAL ASSY, FAX8350P/8750P FOR NOR (INCLUDING OPERATIONS MANUAL(1-1) AND 2WARRANTY CARDS) | |
| (1) | LE1145001 | 1 | OWNER'S MANUAL ASSY, FAX8350P/8750P FOR BEL (INCLUDING 2 OPERATIONS MANUALS(1-1) AND WARRANTY CARD) | |
| (1) | LE1103001 | 1 | OWNER'S MANUAL ASSY, FAX8350P/8750P FOR NLD (INCLUDING OPERATIONS MANUAL(1-1) AND WARRANTY CARD) | |
| (1) | LE1038001 | 1 | OWNER'S MANUAL ASSY, FAX8350P/8750P FOR CHE (INCLUDING 2 OPERATIONS MANUALS(1-1) AND WARRANTY CARD) | |
| (1) | LE1104001 | 1 | OWNER'S MANUAL ASSY, FAX8350P FOR IRE (INCLUDING OPERATIONS MANUAL(1-1) AND WARRANTY CARD) | |
| (1) | LE1107001 | 1 | OWNER'S MANUAL ASSY, FAX8350P/8750P FOR DEN (INCLUDING OPERATIONS MANUAL(1-1) AND WARRANTY CARD) | |
| (1) | LE1111001 | 1 | OWNER'S MANUAL ASSY, FAX8350P FOR SWE, FAX8750P FOR GNR (INCLUDING OPERATIONS MANUAL(1-1) AND 2WARRANTY CARDS) | |
| (1) | LE1351001 | 1 | OWNER'S MANUAL ASSY, FAX8750P FOR GNR (INCLUDING OPERATIONS MANUAL(1-1) AND WARRANTY CARD) | |
| (1) | LE1362001 | 1 | OWNER'S MANUAL ASSY, FAX8750P FOR ITA (INCLUDING OPERATIONS MANUAL(1-1) AND WARRANTY CARD) (INCLUDING OPERATIONS MANUAL(1-1) AND 2WARRANTY CARDS) | |
| (1) | LE1714001 | 1 | OWNER'S MANUAL ASSY, FAX8350P/8750P FOR SPA (INCLUDING OPERATIONS MANUAL(1-1) AND 2WARRANTY CARDS) | |
| (1) | LE1050001 | 1 | OWNER'S MANUAL ASSY, MFC9650 FOR GER (INCLUDING OPERATIONS MANUAL(1-1), WARRANTY CARD AND MFL MANUAL(1-2)) | |
| (1) | LE1054001 | 1 | OWNER'S MANUAL ASSY, MFC9650 FOR UK (INCLUDING OPERATIONS MANUAL(1-1), 3 WARRANTY CARDS AND MFL MANUAL(1-2)) | |
| (1) | LE1115001 | 1 | OWNER'S MANUAL ASSY, MFC9650 FOR NOR (INCLUDING OPERATIONS MANUAL(1-1), 2 WARRANTY CARDS AND MFL MANUAL(1-2)) | |
| (1) | LE1118001 | 1 | OWNER'S MANUAL ASSY, MFC9650 FOR BEL (INCLUDING 2 OPERATIONS MANUALS(1-1), WARRANTY CARDS AND MFL MANUAL(1-2)) | |
| (1) | LE1121001 | 1 | OWNER'S MANUAL ASSY, MFC9650 FOR NLD (INCLUDING OPERATIONS MANUAL(1-1), WARRANTY CARD AND MFL MANUAL(1-2)) | |
| (1) | LE1055001 | 1 | OWNER'S MANUAL ASSY, MFC9650 FOR CHE (INCLUDING 2 OPERATIONS MANUALS(1-1), WARRANTY CARD AND MFL MANUAL(1-2)) | |
| (1) | LE1125001 | 1 | OWNER'S MANUAL ASSY, MFC9650 FOR DEN (INCLUDING OPERATIONS MANUAL(1-1) WARRANTY CARD AND MFL MANUAL(1-2)) | |
| (1) | LE1128001 | 1 | OWNER'S MANUAL ASSY, MFC9650 FOR SPA (INCLUDING OPERATIONS MANUAL(1-1) 2WARRANTY CARDS AND MFL MANUAL(1-2)) | |
| (1) | LE1131001 | 1 | OWNER'S MANUAL ASSY, MFC9650 FOR ITA (INCLUDING OPERATIONS MANUAL(1-1), WARRANTY CARD AND MFL MANUAL(1-2)) | |
| (1) | LE1134001 | 1 | OWNER'S MANUAL ASSY, MFC9650 FOR SWE (INCLUDING OPERATIONS MANUAL(1-1), 2WARRANTY CARDS AND MFL MANUAL(1-2)) | |
| (1) | LE1135001 | 1 | OWNER'S MANUAL ASSY, MFC9650 FOR GNR (INCLUDING OPERATIONS MANUAL(1-1) AND MFL MANUAL) | |
| (1-1) | LE1031003 | 1 | OPERATIONS MANUAL, FAX8350P FOR GER/AUS | |
| (1-1) | LE1031004 | 1 | OPERATIONS MANUAL, FAX8350P/8750P/MFC9650 FOR UK/IRE/GNR | |
| (1-1) | LE1031005 | 1 | OPERATIONS MANUAL, FAX8350P/8750P FOR FRA | |
| (1-1) | LE1031007 | 1 | OPERATIONS MANUAL, FAX8350P/8750P/MFC9650 FOR NOR | |

List11(PRINTED MATERIAL)

| REF.NO. | CODE | Q'TY | DESCRIPTION | REMARKS |
|---------|-----------|------|---------------------------------------------------|---------|
| (1-1) | LE1031008 | 1 | OPERATIONS MANUAL, FAX8350P/8750P/MFC9650 FOR BEL | |
| (1-1) | LE1039008 | 1 | OPERATIONS MANUAL, FAX8350P/8750P FOR BEL/CHE | |
| (1-1) | LE1031009 | 1 | OPERATIONS MANUAL, FAX8350P/8750P/MFC9650 FOR NLD | |
| (1-1) | LE1031010 | 1 | OPERATIONS MANUAL, FAX8350P/8750P/MFC9650 FOR CHE | |
| (1-1) | LE1031013 | 1 | OPERATIONS MANUAL, FAX8350P/MFC9650 FOR DEN | |
| (1-1) | LE1031026 | 1 | OPERATIONS MANUAL, FAX8350P/8750P/MFC9650 FOR SWE | |
| (1-1) | LE1352001 | 1 | OPERATIONS MANUAL, FAX8750P FOR GER | |
| (1-1) | LE1031016 | 1 | OPERATIONS MANUAL, FAX8750P/MFC9650 FOR ITA | |
| (1-1) | LE1416003 | 1 | OPERATIONS MANUAL, MFC9650 FOR GER | |
| (1-1) | LE1031015 | 1 | OPERATIONS MANUAL, FAX8350P/8750P/MFC9650 FOR SPA | |
| (1-2) | LE1051003 | 1 | MFL MANUAL, MFC9650 FOR GER/UK/BEL/NLD/CHE/GNR | |
| (1-2) | LE1051007 | 1 | MFL MANUAL, MFC9650 FOR NOR/DEN/SPA/ITA/SWE | |

www.drukparts.pl

List12(CARTON)

| REF.NO. | CODE | QTY | DESCRIPTION | REMARKS |
|---------|-----------|-----|---------------------------------------------------------|---------|
| (1) | LE1026001 | 1 | CARTON, FAX8350P | |
| (1) | LE1042001 | 1 | CARTON, MFC9650 | |
| (1) | LE1343001 | 1 | CARTON, FAX8750P | |
| (2) | LE1292001 | 1 | STYROFOAM ASSY | |
| (3) | UE1688001 | 1 | POLY-ETHYLENE BAG FOR MACHINE, 1000X1000 EXCEPT FOR FRA | |
| (3) | UE1688002 | 1 | POLY-ETHYLENE BAG FOR MACHINE, 1000X1000 FOR FRA | |
| (4) | UE3122001 | 1 | CARTON FOR MANUAL | |
| (5) | UU0456001 | 1 | PROTECTION PAPER | |
| (6) | LJ4546001 | 1 | BAG FOR DRUM/TONER, 400X480 | |

www.drukparts.pl

brother

www.drumparts.pl