



FACSIMILE EQUIPMENT

PARTS REFERENCE LIST

MODEL: MFC9160 / MFC9180

(For Germany / United Kingdom / France /
Norway / Belgium / Netherlands /
Switzerland / Ireland / Finland / Denmark /
Austria / Spain / Italy / Sweden /
Russia / Euro Generic)

www.drukparts.nl

www.drukparts.pl

© Copyright Brother 2001

All rights reserved

No part of this publication may be reproduced in any form or by any means without permission in writing from the publisher.

Specifications are subject to change without prior notice.

NOTES FOR USING THIS PARTS REFERENCE LIST

1. In the case of ordering parts, it needs mentioning the following items:

- (1) Code
- (2) Q' ty
- (3) Description

Note: No orders without Parts Code or Tool No. can be accepted.

[Example]

	(1)	(2)	(3)	
REF.NO.	CODE	Q' TY	DESCRIPTION	REMARKS

2. Design-changed parts:

When the parts are changed, any one of the following symbols is mentioned in the REMARKS column.

CNG(cng) : The part is changed to a new part.

ADD(add) : The part is newly added.

DEL(del) : The part is deleted.

Symbol in capital letters indicates that the change is the latest one in the page.

3. Parts change will be informed by the technical information.

COUNTRIES

GERMAN ---- GER

UNITED KINGDOM ---- UK

FRANCE ---- FRA

NORWAY ---- NOR

BELGIUM ---- BEL

NETHERLANDS ---- NLD

SWITZERLAND ---- CHE

IRELAND ---- IRE

FINLAND ---- FIN

DENMARK ---- DEN

AUSTRIA ---- AUS

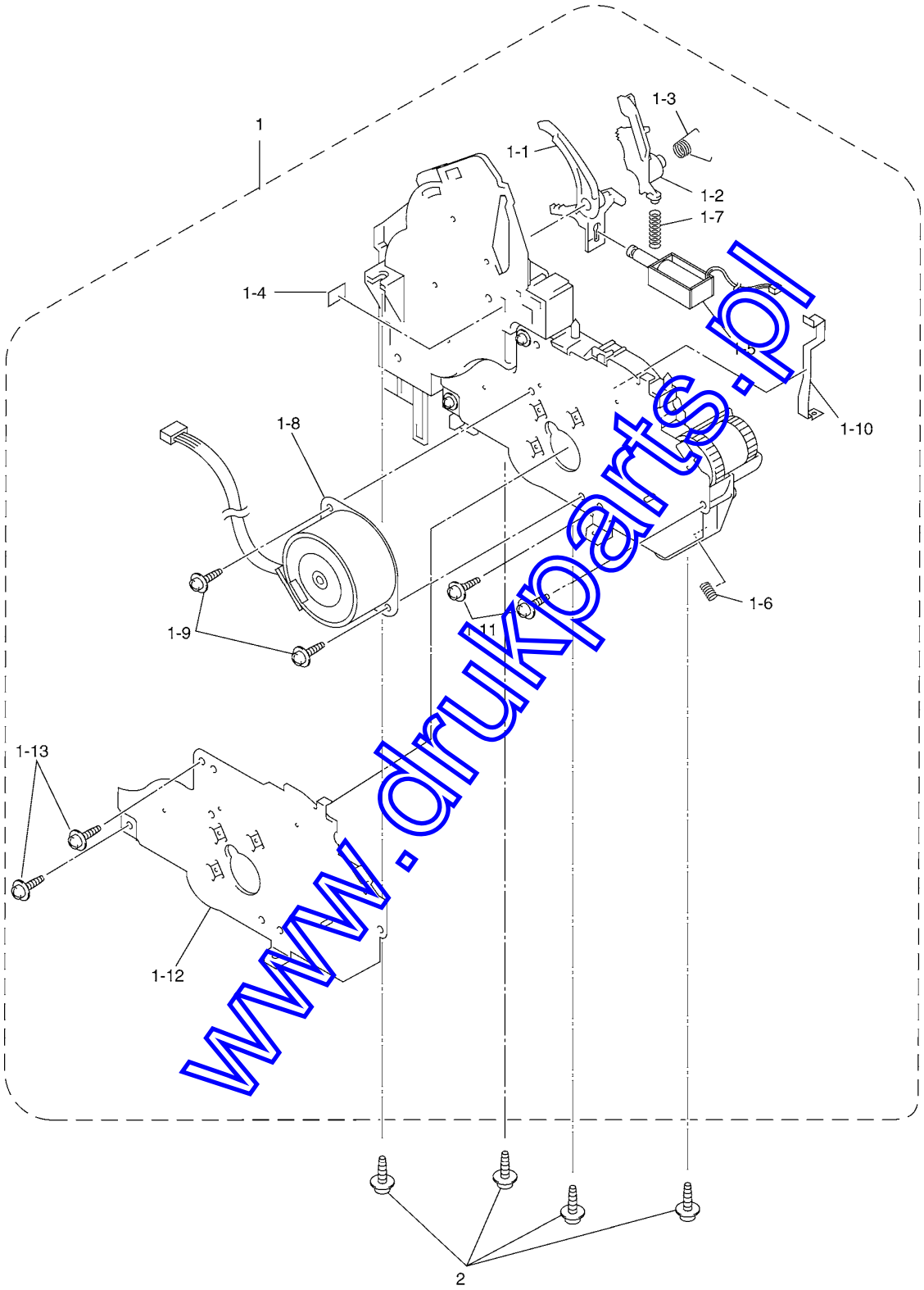
SPAIN ---- SPA

ITALY ---- ITA

SWEDEN ---- SWE

RUSSIA ---- RUS

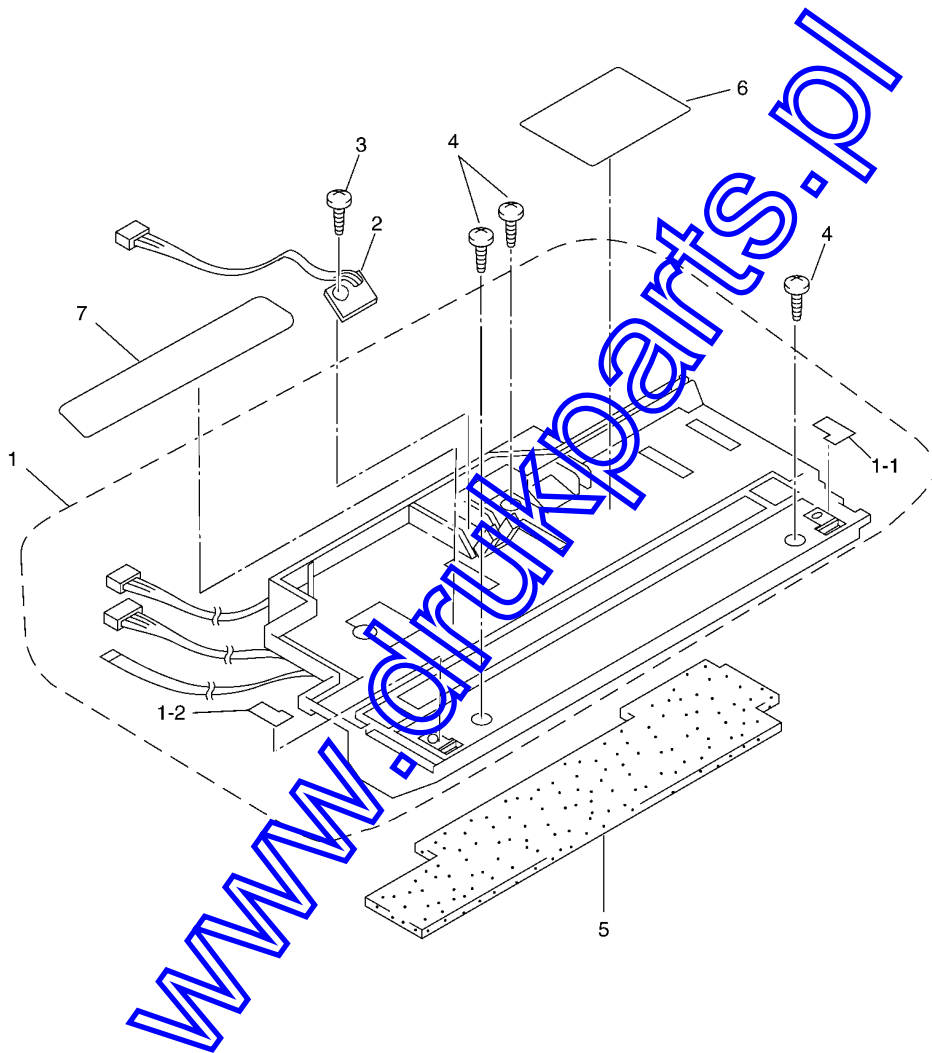
EURO GENERIC ---- GNR



LIST1(PAPER DRIVE)

REF.NO.	CODE	Q'TY	DESCRIPTION	RECOMMEND	REMARKS
1	LE1793001	1	GEAR DRIVE UNIT		
1-1	UL6573000	1	SOLENOID LEVER		
1-2	UL6574000	1	CLUTCH RELEASE LEVER		
1-3	UL6575001	1	SOLENOID SPRING		
1-4	LE7280001	1	SOLENOID LEVER SHEET		
1-5	LE7015001	1	PAPER FEED SOLENOID ASSY		
1-6	LE7419001	1	CLUTCH GEAR SPRING		
1-7	UL6579001	1	CLUTCH HOLDER SPRING		
1-8	LE1806001	1	MAIN MOTOR ASSY		
1-9	087320616	2	TAPTITE, CUP S M3X6		
1-10	LE1807001	1	ELECTRODE		
1-11	087311016	2	TAPTITE, CUP B M3X10		
1-12	LE1795001	1	MOTOR BRACKET		
1-13	087321615	2	TAPTITE, CUP S M3X16		
2	087411415	4	TAPTITE, CUP B M4X14		
(3)	UG3005000	1	FERRITE CORE, 16X8X10		

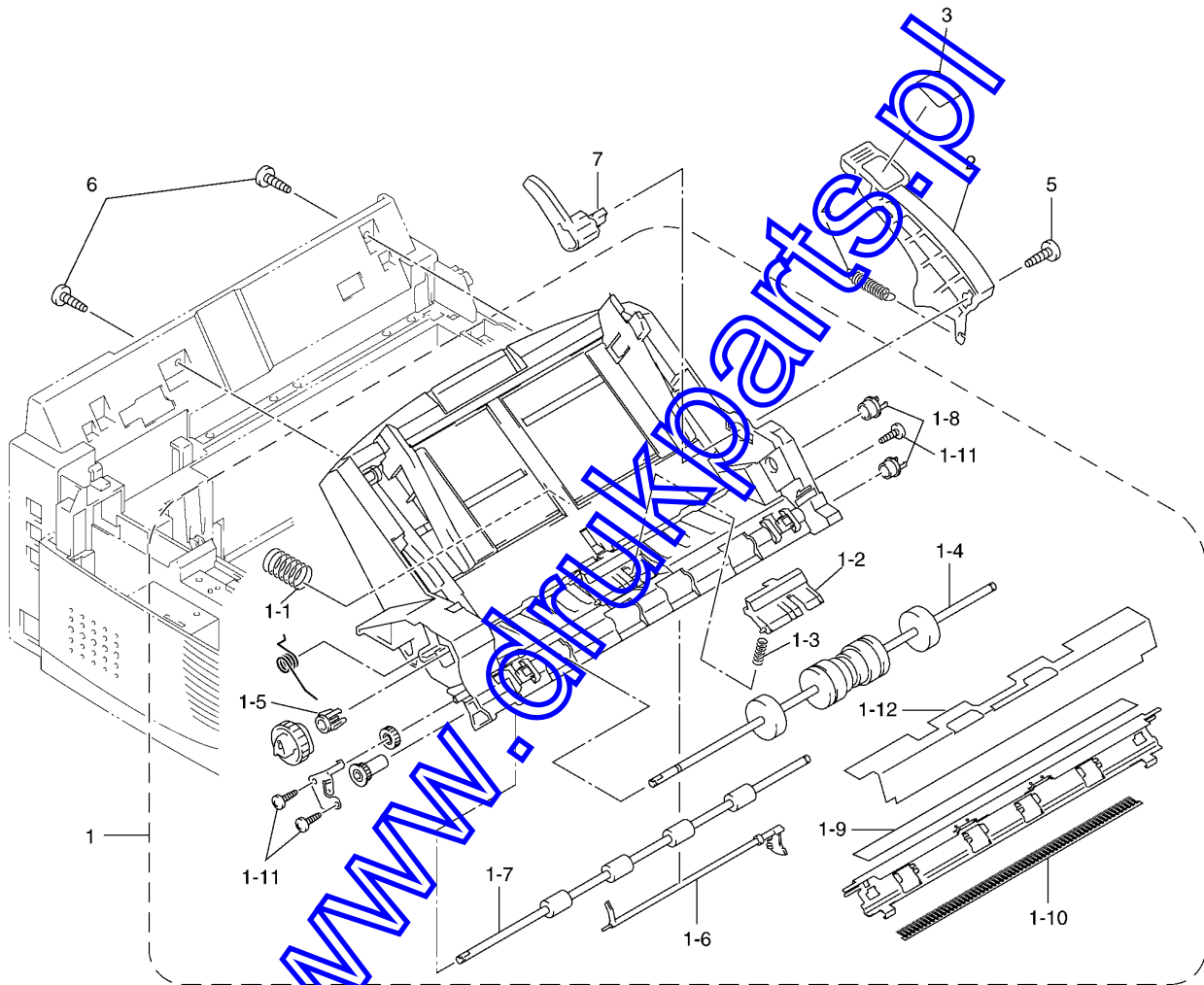
www.drukparts.pl



LIST2(LASER UNIT)

REF.NO.	CODE	Q'TY	DESCRIPTION	RECOMMEND	REMARKS
1	LE7197001	1	LASER UNIT(SP)	1	
1-1	UL6614001	1	SCANNER SHEET 1		
1-2	UL6615001	1	SCANNER SHEET 2		
2	LG3162001	1	TONER SENSOR PCB ASSY		
3	087310815	1	TAPTITE, CUP B M3X8		
4	085411215	3	SCREW, BIND B TITE 4X12		
5	UU7043001	1	SCANNER SEAL SPONGE		
6	UL6740001	1	LASER CAUTION LABEL		
7	UL6741001	1	TONER CAUTION LABEL		
(8)	UG3005000	1	FERRITE CORE, 16X8X10		

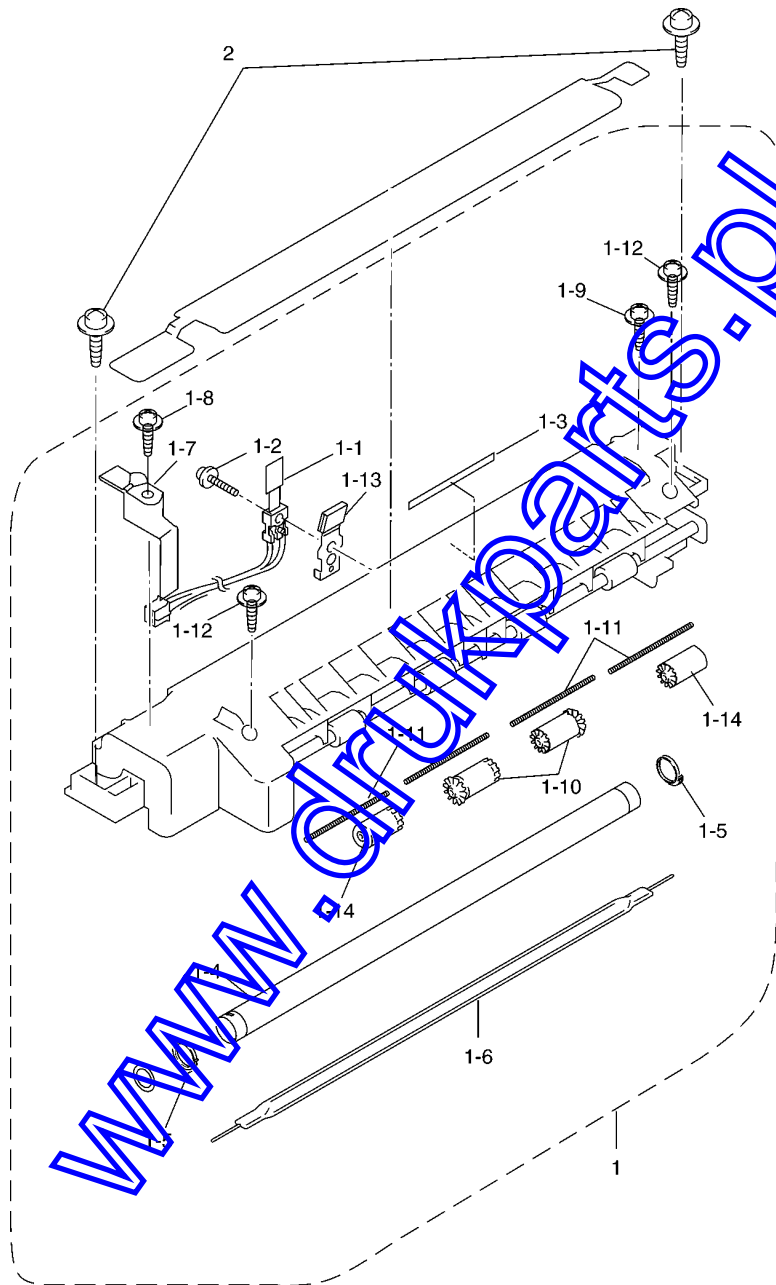
www.drukparts.pl



LIST3(PAPER FEED)

REF.No.	CODE	Q'TY	DESCRIPTION	RECOMMEND	REMARKS
1	LE1833001	1	ASF ASSY, GRAY(1495)		
1-1	LE1844001	1	PLATE SPRING		
1-2	LE1943001	1	SEPARATION PAD ASSY		
1-3	UL5184001	1	SPRING		
1-4	LE1945001	1	PAPER PULL-IN ROLLER		
1-5	LF4230001	1	PAWLED BUSHING L		CHG
1-6	LE1845001	1	REGISTRATION SENSOR ACTUATOR		
1-7	UL6654001	1	PAPER FEED ROLLER		
1-8	UF0026001	2	PAWLED BUSHING R		
1-9	UL6659001	1	CHUTE FILM		
1-10	LJ5219001	1	ANTI-STATIC BRUSH		
1-11	U04887001	3	TAPTITE, BIND B M2.6X8		
1-12	LE7019001	1	BLACK FILM		
2	LE7047001	1	RELEASE LEVER, PURPLE(6255)		
3	LE7137001	1	RELEASE LEVER LABEL		
4	LE1835001	1	RELEASE LEVER SPRING		
5	085411015	1	TAPTITE, BIND B M4X10		
6	085411215	2	TAPTITE, BIND B M4X12		
7	LE1837001	1	RELEASE CAM		

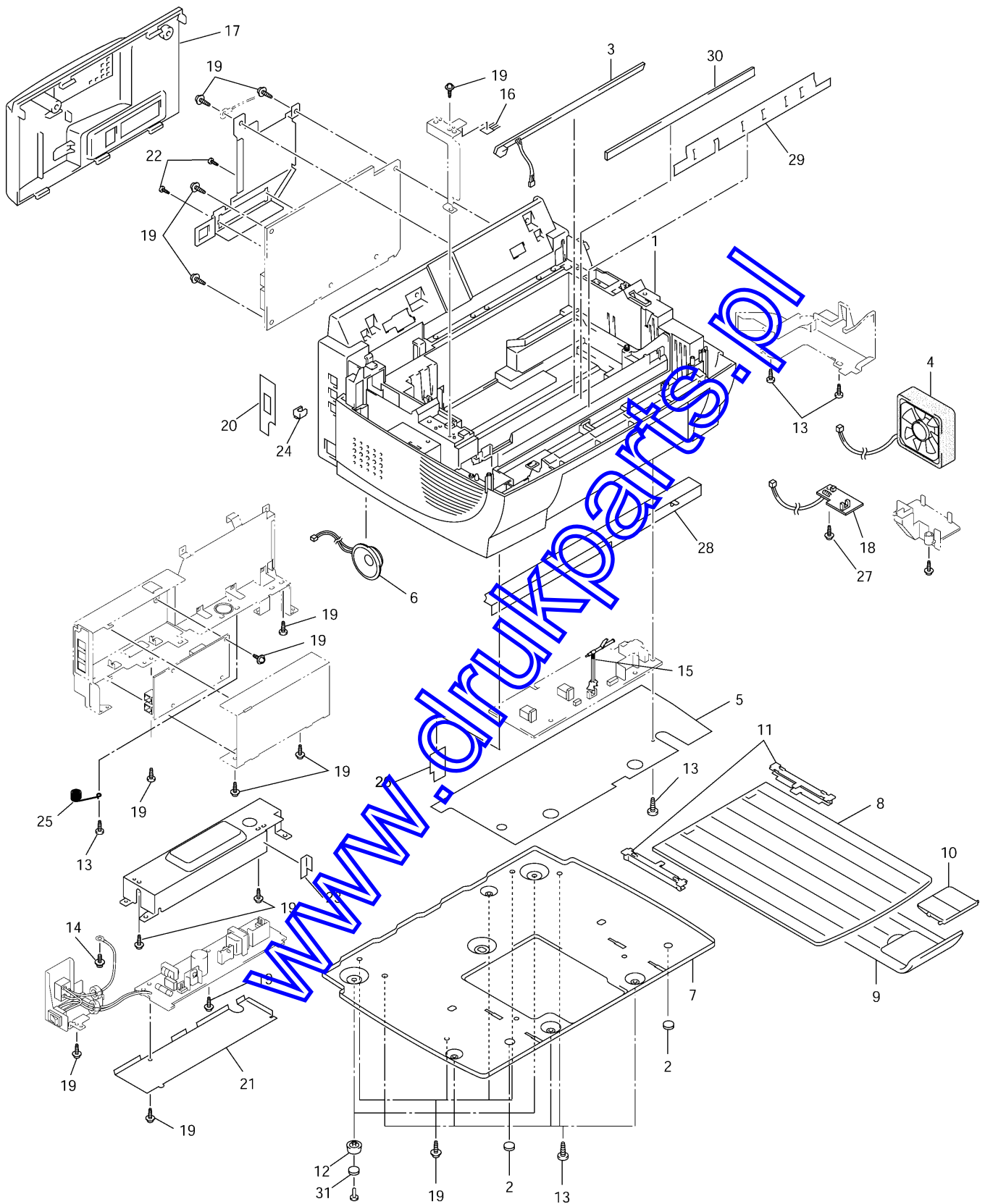
www.drukparts.pl



LIST4(FIXING UNIT)

REF.NO.	CODE	Q'TY	DESCRIPTION	RECOMMEND	REMARKS
1	LE7343001	1	HEAT FIXING UNIT 230 ASSY(SP)	1	
1-1	LE1849001	1	THERMISTER ASSY		
1-2	087311415	1	TAPTITE, CUP B M3X14		
1-3	LE7302001	1	HEATER ROLLER CLEANER FELT		
1-4	LE1850001	1	HEATER ROLLER		
1-5	UH3178000	2	HEATER ROLLER SHAFT HOLDER		
1-6	LE7133001	1	TUNGSTEN HOLOGEN LAMP, 230V		
1-7	UH3182000	1	LOCK PLATE		
1-8	083311017	1	TAPTITE, PAN B M3X10		
1-9	LJ4820001	1	SCREW, PAN(WASHER) M2.6X6DA		
1-10	UH3323001	2	EJECT PINCH ROLLER ASSY		
1-11	UL6682001	4	PINCH SPRING		
1-12	085311216	2	TAPTITE, BIND B M3X12		
1-13	LE7043001	1	CLEANER ASSY		
1-14	UH3324001	2	EJECTION PRESSURE ROLLER		
2	087411616	2	TAPTITE, CUP B M4X16		

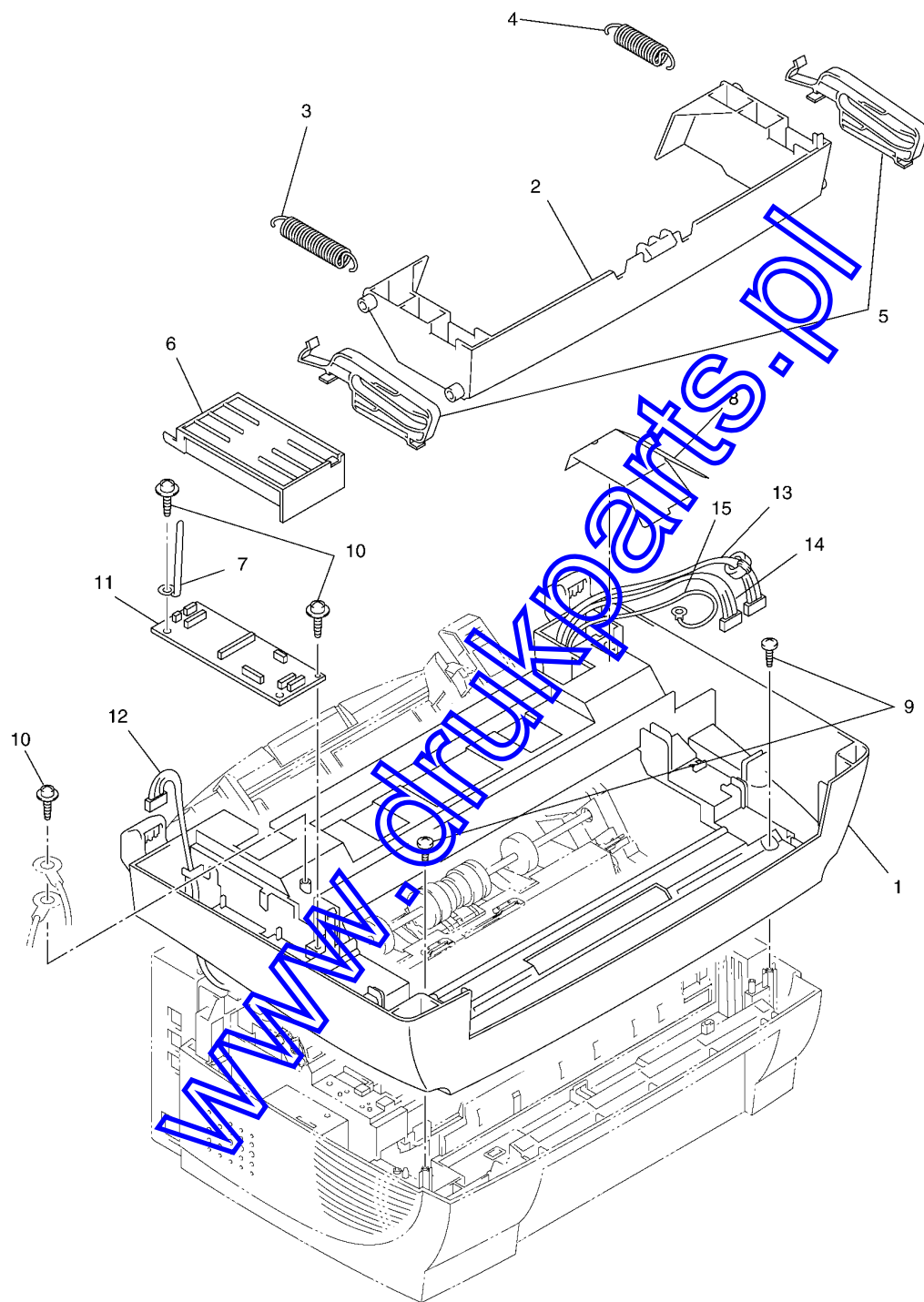
www.drukparts.pl



LIST5(MAIN COVER)

REF.No.	CODE	Q'TY	DESCRIPTION	RECOMMEND	REMARKS
1	LE1786001	1	MAIN COVER, GRAY(1495)		
2	LE7299001	2	RUBBER FOOT (FRONT)		
3	LE1863001	1	EL (ERASER LAMP) BOARD		
4	LF2520001	1	FAN MOTOR ASSY		chg
5	LE1865001	1	HIGH-VOLTAGE INSULATOR SHEET		
6	LG3166001	1	SPEAKER		
7	LF2503001	1	BOTTOM PLATE		chg
8	LE1870001	1	PAPER TRAY		
9	LE1871001	1	PAPER SUB TRAY		
10	LJ5599001	1	PAPER STOPPER		
11	LE1872001	2	PAPER TRAY HOLDER		
12	LF2504001	2	BOTTOM LEG		chg
13	085411215	9	SCREW, BIND B TITE 4X12		
14	UF6559001	1	SCREW, PAN (WASHER) M4X8DB		
15	LE1874001	1	PAPER EJECTION SENSOR ACTUATOR		
16	LE1876001	1	ANTI-STATIC BRUSH		
17	LE1877001	1	BOARD ACCESS COVER		
18	LG3279001	1	MAIN-FAN PCB ASSY		
19	087320616	18	TAPTITE, CUP S M3X6		
20	LE1253001	1	MODULAR JACK FILM, MFC9180		
20	LE1435001	1	MODULAR JACK FILM, MFC9160		
21	LE1881001	1	LOW-VOLTAGE INSULATOR SHEET		
22	083321416	2	TAPTITE, PAN S M3X14		chg
23	LE7142001	1	PS SHIELD FILM		
24	UF5745000	1	MJ COVER, MFC9180		chg
25	LE7883001	1	FOR GER/UK/FRA/BEL/FIN/DEN/AUS/ITA/SWE/GNF		
26	LE7898001	1	GROUNDING SPRING		
27	087310815	2	TAPTITE, CUP B M3X8		
28	LE1967001	1	DUCT FILM		add
29	UU7047001	1	HEAT INSULATION SHEET		add
30	UU7048001	1	LABEL SPONGE		add
31	LF2505001	2	RUBBER FOOT (REAR)		CHG

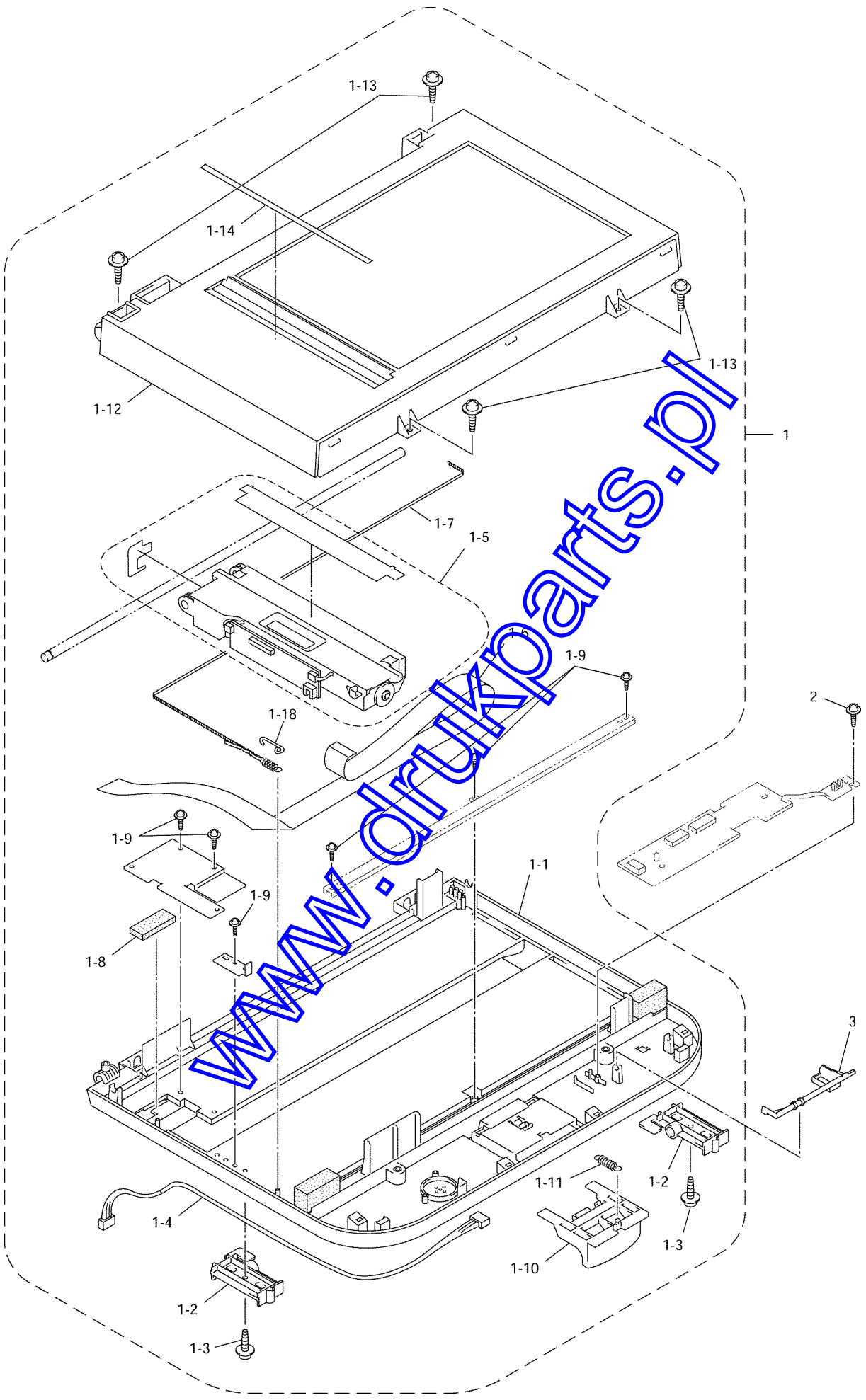
www.druckparts.pl



LIST6(JOINT COVER)

REF.NO.	CODE	Q'TY	DESCRIPTION	RECOMMEND	REMARKS
1	LE1788001	1	SCANNER MOUNT		
2	LE1992001	1	FRONT COVER		
3	LE7421001	1	SCANNER SPRING L		
4	LE7422001	1	SCANNER SPRING R		
5	LE1994001	2	FRONT COVER GUIDE		
6	LE7026001	1	RELAY PCB COVER		
7	LE7660001	1	COATING CLIP		
8	LE7173001	1	HARNESS COVER		
9	085411216	2	TAPTITE, BIND B M4X12		
10	087311016	5	TAPTITE, CUP B M3X10		
11	LG3266001	1	RELAY PCB ASSY	1	
12	LG3272001	1	RELAY (CCD/SEN) HARNESS		
13	LG3273001	1	RELAY (ADF) HARNESS		
14	LG3699001	1	RELAY (CCD/PANEL) HARNESS		
15	LG3275001	1	GROUNDING WIRE		
(16)	UG4641001	1	FERRITE CORE, NF-80		

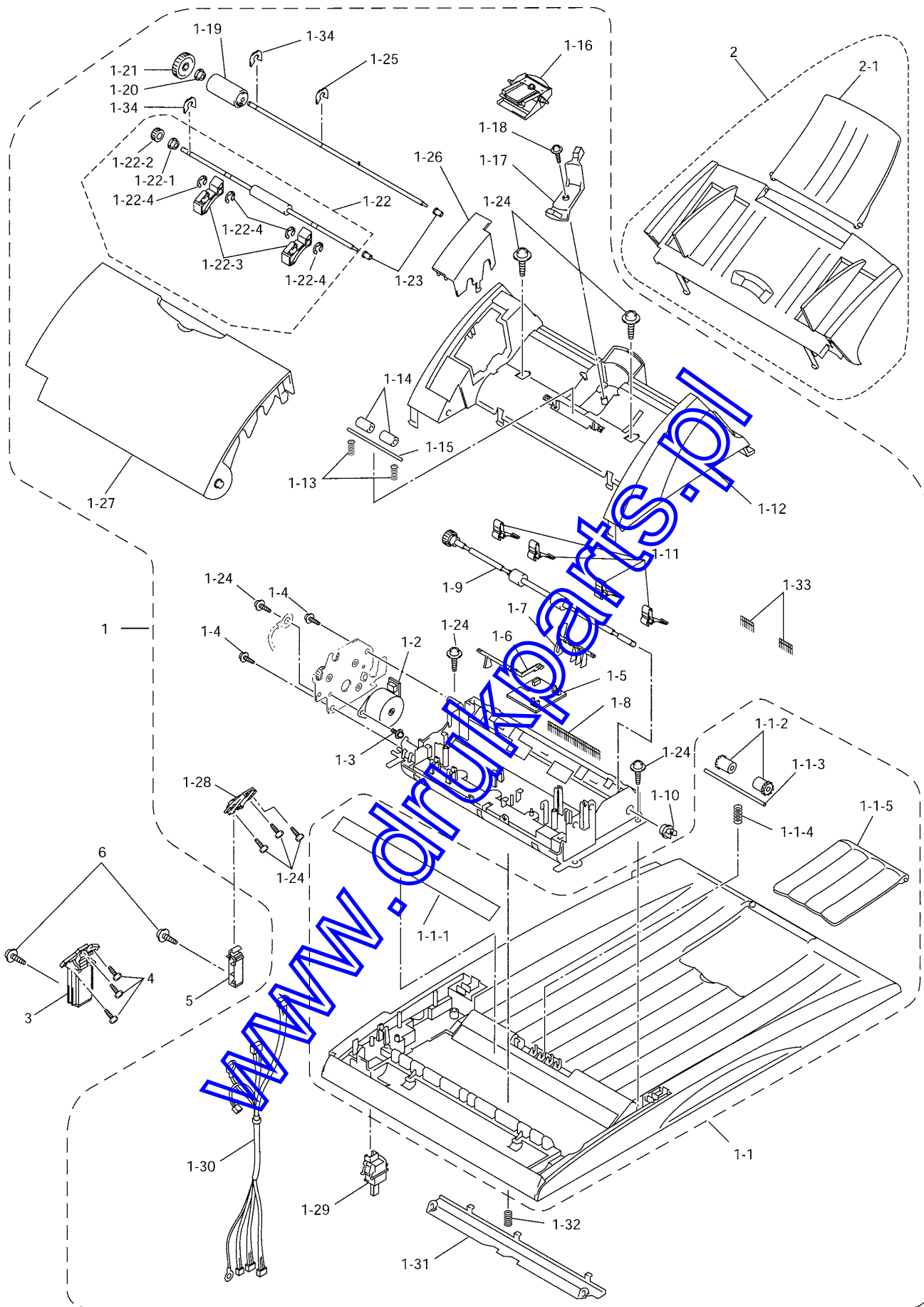
www.drukparts.pl



LIST7(DOCUMENT SCANNER)

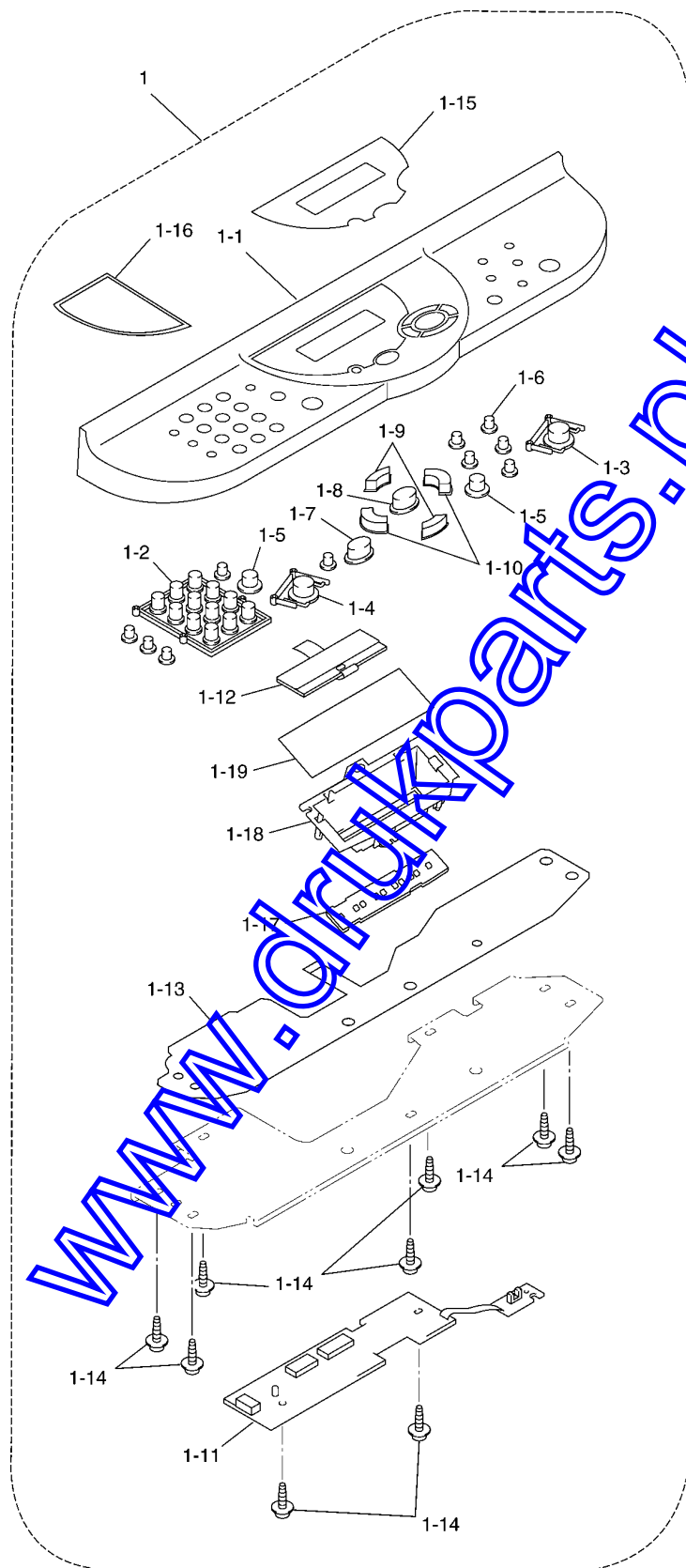
REF.No.	CODE	Q'TY	DESCRIPTION	RECOMMEND	REMARKS
1	LF2297001	1	FB SCANNER UNIT (SP)	√	chg
1-1	LE1789001	1	SCANNER BASE, GRAY(1495)		
1-2	LE6253001	2	FRONT COVER CONNECTOR		
1-3	087411216	2	TAPTITE, CUP B M4X12		
1-4	LG3233001	1	PANEL HARNESS		
1-5	LF2492001	1	CCD UNIT (SP)		CHG
1-6	LE6351001	1	CCD FLAT CABLE		
1-7	LE6353001	1	CCD DRIVE BELT ASSY		
1-8	LE6260001	1	SPONGE		
1-9	087310816	6	TAPTITE, CUP B M3X8		
1-10	LE6263001	1	SCANNER OPEN LEVER, PURPLE(6255)		
1-11	LE6264001	1	LEVER SPRING		
1-12	LE6267001	1	SCANNER TOP COVER ASSY		
1-13	087411216	4	TAPTITE, CUP B M4X12		
1-14	LE8107001	4	CCD PROTECTOR R		del
1-15	LE8108001	4	CCD PROTECTOR F		del
1-14	LE6355001	1	DOCUMENT SET LABEL		
1-15	LE7947001	4	BELT STOPPER		del
1-18	LE8826001	1	BELT HOLDING SPRING		add
2	087310815	1	TAPTITE, CUP B M3X8		
3	LE2095001	1	SCANNER OPEN SENSOR ACTUATOR		

www.drukparts.pl



LIST8(ADF)

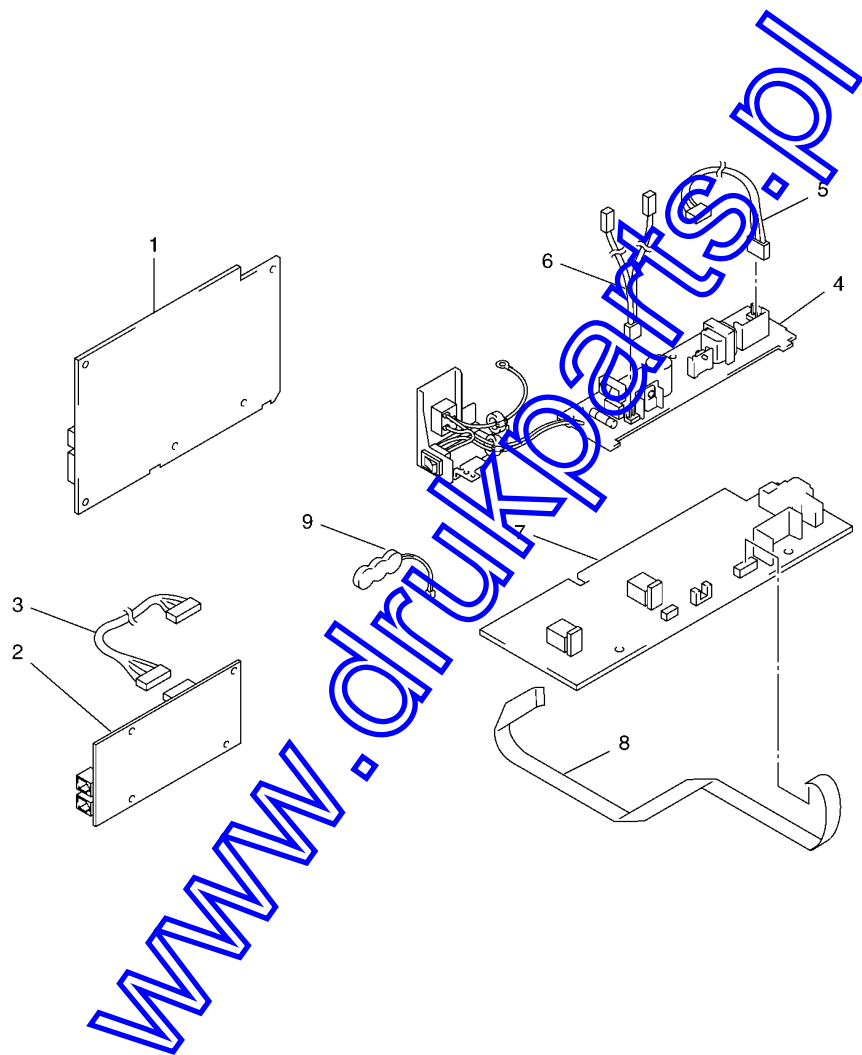
REF.No.	CODE	Q'TY	DESCRIPTION	RECOMMEND	REMARKS
1	LE6201001	1	ADF/DOCUMENT TRAY ASSY	√	
1-1	LE9437001	1	DOCUMENT TRAY SUB ASSY		
1-1-1	LE6205001	1	CHUTE FILM		
1-1-2	UL6244002	2	PINCH ROLLER		
1-1-3	LE2471001	1	PINCH ROLLER SHAFT		
1-1-4	LE6206001	1	PINCH ROLLER SPRING		
1-1-5	LE6207001	1	DOCUMENT STOPPER		
1-2	LE6214001	1	ADF MOTOR		
1-3	0A4300605	1	SCREW, PAN WASHER M3X6		
1-4	087310815	2	TAPTITE, CUP B M3X8		
1-5	LG3216001	1	DOCUMENT SENSOR PCB ASSY		
1-6	LE6219001	1	DOCUMENT REAR SENSOR ACTUATOR		
1-7	LE6220001	1	DOCUMENT FRONT SENSOR ACTUATOR		
1-8	LE6221001	1	ANTI-STATIC BRUSH		
1-9	LE6222001	1	DOCUMENT EJECTION ROLLER ASSY		
1-10	UF0026001	1	PAWLED BUSHING		
1-11	LE6334001	4	DOCUMENT GUIDE CLIP		
1-12	LE6226001	1	UPPER ADF CHUTE		
1-13	LE2472001	2	PRESSURE ROLLER SPRING		
1-14	UF9009001	2	PRESSURE ROLLER		
1-15	LE2471001	1	PRESSURE ROLLER SHAFT		
1-16	LE6345001	1	SEPARATION RUBBER UNIT		
1-17	LE6330001	1	ADF THICKNESS ADJUSTER		
1-18	UF5034001	1	TAPTITE, B M3X6		
1-19	LE2037001	1	SEPARATION ROLLER		
1-20	LE6494001	1	BUSHING		
1-21	LE6230001	1	SEPARATION ROLLER GEAR		
1-22	LE6233001	1	DOCUMENT FEED ROLLER ASSY		
1-22-1	LE6494001	1	BUSHING		
1-22-2	LE6495001	1	DOCUMENT FEED ROLLER GEAR		
1-22-3	LE6492001	2	DOCUMENT FEED PAPER CHUTE		
1-22-4	048050346	4	RETAINING RING		
1-23	UF9949001	2	BUSHING S (SEPARATION ROLLER, FEED ROLLER)		
1-24	087311016	8	TAPTITE, CUP B M3X10		
1-25	048050346	1	RETAINING RING E5		
1-26	LE6236001	1	GEAR COVER, GRAY(1495)		
1-27	LE6237001	1	ADF COVER, GRAY(1495)		
1-28	LE6245001	1	HINGE BASE R		
1-29	LG3218001	1	DOCUMENT TRAY OPEN SENSOR		
1-30	LG3219001	1	ADF MOTOR SENSOR HARNESS ASSY		
1-31	LE8834001	1	DOCUMENT PRESSURE BAR		chg
1-32	LE6218001	1	SPRING		
1-33	LE6609001	2	ANTI-STATIC BRUSH S		
1-34	LE2537001	2	PLASTIC RETAINING RING B		
2	LF2521001	1	DOCUMENT GUIDE BASE		CHG
2-1	LE6250001	1	DOCUMENT SUPPORT, CLEAR PURPLE(6342)		
3	LE6238001	1	HINGE L		
4	087311016	3	TAPTITE, CUP B M3X10		
5	LE6244001	1	HINGE ARM		
6	085411215	2	SCREW, BIND B M4X12		



www.druckparts.pl

LIST9(CONTROL PANEL)

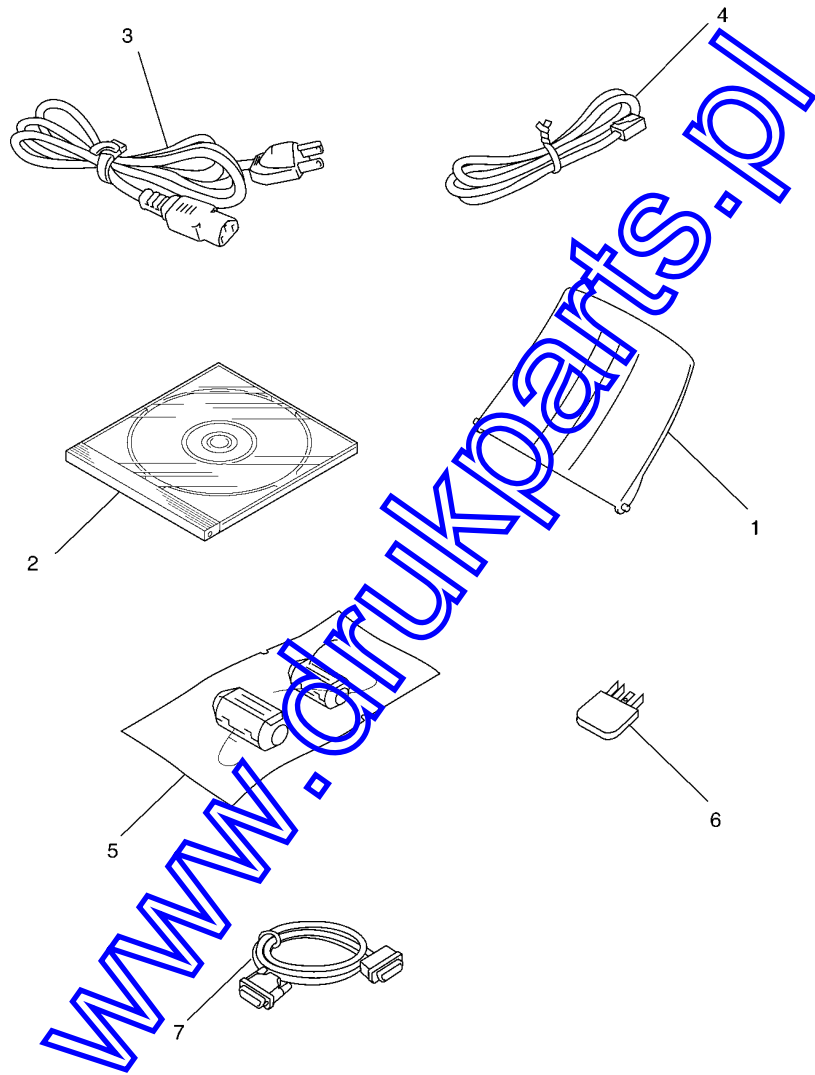
REF.No.	CODE	Q'TY	DESCRIPTION	RECOMMEND	REMARKS
1	LE7384001	1	CONTROL PANEL ASSY, MFC9160 FOR GER	√	
1	LE7352001	1	CONTROL PANEL ASSY, MFC9180 FOR GER/AUS	√	
1	LE7396001	1	CONTROL PANEL ASSY, MFC9160 FOR UK/BEL/CHE/GNR	√	
1	LE7372001	1	CONTROL PANEL ASSY, MFC9180 FOR UK/BEL/CHE/IRE/GNR	√	
1	LE7403001	1	CONTROL PANEL ASSY, MFC9160 FOR FRA	√	
1	LE7378001	1	CONTROL PANEL ASSY, MFC9180 FOR FRA	√	
1	LE7804001	1	CONTROL PANEL ASSY, MFC9160 FOR NOR	√	
1	LE7720001	1	CONTROL PANEL ASSY, MFC9180 FOR NOR	√	
1	LE7819001	1	CONTROL PANEL ASSY, MFC9160 FOR NLD	√	
1	LE7732001	1	CONTROL PANEL ASSY, MFC9180 FOR NLD	√	
1	LE7743001	1	CONTROL PANEL ASSY, MFC9180 FOR FIN	√	
1	LE7826001	1	CONTROL PANEL ASSY, MFC9160 FOR DEN	√	
1	LE7748001	1	CONTROL PANEL ASSY, MFC9180 FOR DEN	√	
1	LE7831001	1	CONTROL PANEL ASSY, MFC9160 FOR SPA	√	
1	LE7754001	1	CONTROL PANEL ASSY, MFC9180 FOR SPA	√	
1	LE7836001	1	CONTROL PANEL ASSY, MFC9160 FOR ITA	√	
1	LE7759001	1	CONTROL PANEL ASSY, MFC9180 FOR ITA	√	
1	LE7841001	1	CONTROL PANEL ASSY, MFC9160 FOR SWE	√	
1	LE7764001	1	CONTROL PANEL ASSY, MFC9180 FOR SWE	√	
1	LF2462001	1	CONTROL PANEL ASSY, MFC9180 FOR RUS		ADD
1-1	LE7178001	1	CONTROL PANEL, MFC9160 FOR GER		
1-1	LE7175001	1	CONTROL PANEL, MFC9180 FOR GER/AUS		
1-1	LE7179001	1	CONTROL PANEL, MFC9160 FOR UK/BEL/CHE/GNR		
1-1	LE7176001	1	CONTROL PANEL, MFC9180 FOR UK/BEL/CHE/IRE/GNR		
1-1	LE7180001	1	CONTROL PANEL, MFC9160 FOR FRA		
1-1	LE7177001	1	CONTROL PANEL, MFC9180 FOR FRA		
1-1	LE7805001	1	CONTROL PANEL, MFC9160 FOR NOR		
1-1	LE7721001	1	CONTROL PANEL, MFC9180 FOR NOR		
1-1	LE7820001	1	CONTROL PANEL, MFC9160 FOR NLD		
1-1	LE7733001	1	CONTROL PANEL, MFC9180 FOR NLD		
1-1	LE7744001	1	CONTROL PANEL, MFC9180 FOR FIN		
1-1	LE7827001	1	CONTROL PANEL, MFC9160 FOR DEN		
1-1	LE7749001	1	CONTROL PANEL, MFC9180 FOR DEN		
1-1	LE7832001	1	CONTROL PANEL, MFC9160 FOR SPA		
1-1	LE7755001	1	CONTROL PANEL, MFC9180 FOR SPA		
1-1	LE7837001	1	CONTROL PANEL, MFC9160 FOR ITA		
1-1	LE7760001	1	CONTROL PANEL, MFC9180 FOR ITA		
1-1	LE7842001	1	CONTROL PANEL, MFC9160 FOR SWE		
1-1	LE7765001	1	CONTROL PANEL, MFC9180 FOR SWE		
1-1	LF2463001	1	CONTROL PANEL, MFC9180 FOR RUS		ADD
1-2	LJ4284001	1	KEY, TEN, GRAY(1495), MFC9160		
1-2	LE3431001	1	KEY, TEN, GRAY(1495), MFC9180		
1-3	LJ4285001	1	KEY, COPY, GREEN(515)		
1-4	LJ4285002	1	KEY, START, GRAY(1495), MFC9160		
1-4	LJ4285004	1	KEY, START, PURPLE(6255), MFC9180		
1-5	LE6171001	2	KEY, CYLINDER 5, GRAY(1495)		
1-6	LE7276001	7	KEY, CYLINDER 6, GRAY(1495), MFC9160		
1-6	LE7276001	10	KEY, CYLINDER 6, GRAY(1495), MFC9180		
1-7	LE6170002	1	KEY, STOP, PINK(2205)		
1-8	LE6350001	1	KEY, MENU FOR GER/AUS <GERMAN>		
1-8	LE6079001	1	KEY, MENU FOR COUNTRIES EXCEPT GER/AUS <ENGLISH>		
1-9	LE6168001	2	KEY, CURSOR L, PURPLE(6255)		
1-10	LE6169001	2	KEY, CURSOR S, PURPLE(6255)		
1-11	LG3445001	1	CONTROL PANEL PCB ASSY EXCEPT FOR RUS		
1-11	LG5116001	1	CONTROL PANEL PCB ASSY FOR RUS		ADD
1-12	LJ8529001	1	LCD EXCEPT FOR RUS		
1-12	LG5117001	1	LCD FOR RUS		ADD
1-13	LG3230001	1	FPC KEY		
1-14	087310615	9	TAPTITE, CUP B M3X6		
1-15	LE7182001	1	LCD SHEET, MFC9160	√	
1-15	LE7181001	1	LCD SHEET, MFC9180	√	
1-16	LE7279001	1	LOGO PLATE, MFC9160		
1-17	LG3446001	1	BACK LIGHT PCB		
1-18	LE7353001	1	BACK LIGHT HOLDER		
1-19	LE7354001	1	BACK LIGHT FILM		
2	087311216	6	TAPTITE, CUP B M3X12		



LIST10(PCB)

REF.No.	CODE	Q'TY	DESCRIPTION	RECOMMEND	REMARKS
1	LG3444001	1	MAIN PCB ASSY, MFC9160 EXCEPT FOR GNR	√	
1	LG3444002	1	MAIN PCB ASSY, MFC9160 FOR GNR	√	
1	LG3442001	1	MAIN PCB ASSY, MFC9180 EXCEPT FOR GNR	√	
1	LG3442002	1	MAIN PCB ASSY, MFC9180 FOR GNR	√	
2	LG3490031	1	NCU PCB ASSY, MFC9180 FOR GER/CHE	√	
2	LG3490032	1	NCU PCB ASSY, MFC9180 FOR FRA/BEL/NLD/IRE/AUS/SPA/ITA	√	
2	LG2810014	1	NCU PCB ASSY, MFC9180 FOR UK/NOR/FIN/DEN/SWE/GNR	√	
2	LG2821001	1	NCU PCB ASSY, MFC9180 FOR RUS	√	ADD
3	LG3491001	1	NCU HARNESS, MFC9180		
4	LG5124001	1	LOW-VOLTAGE POWER SUPPLY PCB ASSY, EXCEPT FOR RUS	√	chg
4	LG5126001	1	LOW-VOLTAGE POWER SUPPLY PCB ASSY FOR RUS	√	ADD
5	LG3195001	1	LOW-VOLTAGE POWER HARNESS		
6	LG3196001	1	HEATER HARNESS		
7	LG5009001	1	HIGH-VOLTAGE POWER SUPPLY PCB ASSY	√	chg
8	LG3198001	1	HIGH-VOLTAGE POWER FLAT CABLE		
9	LG3429001	1	BATTERY, MFC9180		

www.drukparts.pl



LIST11(Accessories)

REF.No.	CODE	Q'TY	DESCRIPTION	RECOMMEND	REMARKS
1	UU2080008	1	PAPER SUPPORT, CLEAR PURPLE(6342)		
2	LE7385001	1	CD-ROM ASSY<GERMAN/ENGLISH/FRENCH>, MFC9160 FOR GER/UK/FRA/BEL/CHE/GNR		
2	LE7943001	1	CD-ROM ASSY<GERMAN/ENGLISH/FRENCH>, MFC9180 FOR GER/UK/FRA/BEL/CHE/IRE/AUS		
2	LE7806001	1	CD-ROM ASSY <ENGLISH/NORWEGIAN/DANISH/SWEDISH>, MFC9160 FOR NOR/DEN/SWE		
2	LE7722001	1	CD-ROM ASSY <ENGLISH/NORWEGIAN/DANISH/SWEDISH>, MFC9180 FOR NOR/FIN/DEN/SWE/GNR		
2	LE7812001	1	CD-ROM ASSY<DUTCH/FRENCH/ITALIAN/SPANISH>, MFC9160 FOR BEL/NLD/SPA/ITA		
2	LE7734001	1	CD-ROM ASSY<DUTCH/FRENCH/ITALIAN/SPANISH>, MFC9180 FOR BEL/NLD/SPA/ITA		
2	LF2485001	1	CD-ROM ASSY, MFC9180 FOR RUS		ADD
3	LG2085001	1	AC CORD ASSY, VDE FOR GER/FRA/NOR/BEL/NLD/FIN/AUS/SPA/ITA/SWE/GNR		
3	LG2086001	1	AC CORD ASSY, BS FOR UK/IRE		
3	LG2087001	1	AC CORD ASSY, SEV FOR CHE		
3	LG2181001	1	AC CORD ASSY, DEMKO FOR DEN		
4	UG3625001	1	TELEPHONE LINE CORD, MFC9180 FOR GER		
4	UG3626001	1	TELEPHONE LINE CORD, MFC9180 FOR UK		
4	UG3627001	1	TELEPHONE LINE CORD, MFC9180 FOR FRA		
4	UG3629001	1	TELEPHONE LINE CORD, MFC9180 FOR NOR		
4	UG1575001	1	TELEPHONE LINE CORD, MFC9180 FOR BEL		
4	LG3077001	1	TELEPHONE LINE CORD, MFC9180 FOR NLD/IRE/SPA/GNR		
4	UG3469000	1	TELEPHONE LINE CORD, MFC9180 FOR CHE		
4	UG3632001	1	TELEPHONE LINE CORD, MFC9180 FOR FIN		
4	UG3633001	1	TELEPHONE LINE CORD, MFC9180 FOR DEN		chg
4	UG4205001	1	TELEPHONE LINE CORD, MFC9180 FOR AUS		
4	UG3634001	1	TELEPHONE LINE CORD, MFC9180 FOR ITA		
4	UG3635001	1	TELEPHONE LINE CORD, MFC9180 FOR SWE		
5	LE7699001	1	FERRITE CORE BAG ASSY, MFC9160 (MFC9180 <USB>)		
6	LG3622001	1	TELEPHONE PLUG FOR NLD		
6	LG4566001	4	TELEPHONE PLUG, MFC9180 FOR DEN		del
7	UG4558001	1	PARALLEL I/F CABLE, MFC9160/MFC9180 FOR GER/UK/IRE/AUS/GNR		
(8)	UF8263001	1	TEST CHART TC-027		
(9)	LE8791001	1	CD-ROM ASSY XP, MFC9160 FOR GER/UK/FRA/CHE/GNR		
(9)	LE8793001	1	CD-ROM ASSY XP, MFC9180 FOR NOR/DEN/SWE		
(9)	LE8792001	1	CD-ROM ASSY XP, MFC9160 FOR BEL/NLD/SPA/ITA		
(9)	LE8788001	1	CD-ROM ASSY XP, MFC9180 FOR GER/UK/FRA/CHE/IRE/AUS		
(9)	LE8790001	1	CD-ROM ASSY XP, MFC9180 FOR NOR/FIN/DEN/SWE/GNR		
(9)	LE8789001	1	CD-ROM ASSY XP, MFC9180 FOR BEL/NLD/SPA/ITA		

www.cuparts.pl

LIST12(PRINTED MATERIAL)

REF.No.	CODE	Q'TY	DESCRIPTION	RECOMMEND	REMARKS
(1)	LE7388001	1	OWNER'S MANUAL ASSY, MFC9160 FOR GER (INCLUDING OWNER'S MANUAL(REF.No.(1-1) LICENSE GUIDE, WARRANTY CARD, 3YR GUARANTEE CARD)	√	
(1)	LE7358001	1	OWNER'S MANUAL ASSY, MFC9180 FOR GER (INCLUDING OWNER'S MANUAL(REF.No.(1-1) LICENSE GUIDE, WARRANTY CARD, 3YR GUARANTEE CARD)	√	add
(1)	LE7358001	1	OWNER'S MANUAL ASSY, MFC9180 FOR AUS (INCLUDING OWNER'S MANUAL(REF.No.(1-1) LICENSE GUIDE, WARRANTY CARD)	√	
(1)	LE7397001	1	OWNER'S MANUAL ASSY, MFC9160 FOR UK (INCLUDING OWNER'S MANUAL(REF.No.(1-1) LICENSE GUIDE, WARRANTY CARDS)	√	
(1)	LE7373001	1	OWNER'S MANUAL ASSY, MFC9180 FOR UK (INCLUDING OWNER'S MANUAL(REF.No.(1-1) LICENSE GUIDE, WARRANTY CARDS)	√	
(1)	LE7404001	1	OWNER'S MANUAL ASSY, MFC9160 FOR FRA (INCLUDING OWNER'S MANUAL(REF.No.(1-1) LICENSE GUIDE, WARRANTY CARDS)	√	
(1)	LE7379001	1	OWNER'S MANUAL ASSY, MFC9180 FOR FRA (INCLUDING OWNER'S MANUAL(REF.No.(1-1) LICENSE GUIDE, WARRANTY CARDS)	√	
(1)	LE7809001	1	OWNER'S MANUAL ASSY, MFC9160 FOR NOR (INCLUDING OWNER'S MANUAL(REF.No.(1-1) LICENSE GUIDE, WARRANTY CARD)	√	
(1)	LE7725001	1	OWNER'S MANUAL ASSY, MFC9180 FOR NOR (INCLUDING OWNER'S MANUAL(REF.No.(1-1) LICENSE GUIDE, WARRANTY CARD)	√	
(1)	LE7815001	1	OWNER'S MANUAL ASSY, MFC9160 FOR BEL (INCLUDING 2 OWNER'S MANUALS(REF.No.(1-1) LICENSE GUIDE, WARRANTY CARD)	√	
(1)	LE7728001	1	OWNER'S MANUAL ASSY, MFC9180 FOR BEL (INCLUDING 2 OWNER'S MANUALS(REF.No.(1-1) LICENSE GUIDE, WARRANTY CARD)	√	
(1)	LE7821001	1	OWNER'S MANUAL ASSY, MFC9160 FOR NLD (INCLUDING OWNER'S MANUAL(REF.No.(1-1) LICENSE GUIDE, WARRANTY CARD)	√	
(1)	LE7771001	1	OWNER'S MANUAL ASSY, MFC9180 FOR NLD (INCLUDING OWNER'S MANUAL(REF.No.(1-1) LICENSE GUIDE, WARRANTY CARD)	√	
(1)	LE7824001	1	OWNER'S MANUAL ASSY, MFC9160 FOR CHE (INCLUDING 2 OWNER'S MANUALS(REF.No.(1-1) LICENSE GUIDE, WARRANTY CARD)	√	
(1)	LE7737001	1	OWNER'S MANUAL ASSY, MFC9180 FOR CHE (INCLUDING 2 OWNER'S MANUALS(REF.No.(1-1) LICENSE GUIDE, WARRANTY CARD)	√	
(1)	LE7741001	1	OWNER'S MANUAL ASSY, MFC9180 FOR IRE (INCLUDING OWNER'S MANUAL(REF.No.(1-1) LICENSE GUIDE, WARRANTY CARD)	√	
(1)	LE7745001	1	OWNER'S MANUAL ASSY, MFC9180 FOR FIN (INCLUDING OWNER'S MANUAL(REF.No.(1-1) LICENSE GUIDE)	√	
(1)	LE7828001	1	OWNER'S MANUAL ASSY, MFC9160 FOR DEN (INCLUDING OWNER'S MANUAL(REF.No.(1-1) LICENSE GUIDE, WARRANTY CARD)	√	
(1)	LE7750001	1	OWNER'S MANUAL ASSY, MFC9180 FOR DEN (INCLUDING OWNER'S MANUAL(REF.No.(1-1) LICENSE GUIDE, WARRANTY CARD)	√	
(1)	LE7833001	1	OWNER'S MANUAL ASSY, MFC9160 FOR SPA (INCLUDING OWNER'S MANUAL(REF.No.(1-1) LICENSE GUIDE, WARRANTY CARDS)	√	
(1)	LE7756001	1	OWNER'S MANUAL ASSY, MFC9180 FOR SPA (INCLUDING OWNER'S MANUAL(REF.No.(1-1) LICENSE GUIDE, WARRANTY CARDS)	√	
(1)	LE7838001	1	OWNER'S MANUAL ASSY, MFC9160 FOR ITA (INCLUDING OWNER'S MANUAL(REF.No.(1-1) LICENSE GUIDE, WARRANTY CARD)	√	

LIST12(PRINTED MATERIAL)

REF.No.	CODE	Q'TY	DESCRIPTION	RECOMMEND	REMARKS
(1)	LE7761001	1	OWNER'S MANUAL ASSY, MFC9180 FOR ITA (INCLUDING OWNER'S MANUAL(REF.No.(1-1) LICENSE GUIDE, WARRANTY CARD)	√	
(1)	LE7843001	1	OWNER'S MANUAL ASSY, MFC9160 FOR SWE (INCLUDING OWNER'S MANUAL(REF.No.(1-1) LICENSE GUIDE, WARRANTY CARDS)	√	
(1)	LE7766001	1	OWNER'S MANUAL ASSY, MFC9180 FOR SWE (INCLUDING OWNER'S MANUAL(REF.No.(1-1) LICENSE GUIDE, WARRANTY CARDS)	√	
(1)	LE8205001	1	OWNER'S MANUAL ASSY, MFC9160 FOR GNR (INCLUDING OWNER'S MANUAL(REF.No.(1-1) LICENSE GUIDE, WARRANTY CARD)	√	
(1)	LE7769001	1	OWNER'S MANUAL ASSY, MFC9180 FOR GNR (INCLUDING OWNER'S MANUAL(REF.No.(1-1) LICENSE GUIDE)	√	
(1)	LF2464001	1	OWNER'S MANUAL ASSY, MFC9180 FOR RUS (INCLUDING OWNER'S MANUAL(REF.No.(1-1) LICENSE GUIDE)	√	ADD
(1-1)	LE7389001	1	OWNER'S MANUAL, MFC9160 FOR GER		
(1-1)	LE7359001	1	OWNER'S MANUAL, MFC9180 FOR GER/AUS		
(1-1)	LE7398004	1	OWNER'S MANUAL, MFC9160 FOR UK/GNR		
(1-1)	LE7374004	1	OWNER'S MANUAL, MFC9180 FOR UK/IRE/GNR		
(1-1)	LE7398005	1	OWNER'S MANUAL, MFC9160 FOR FRA		
(1-1)	LE7374005	1	OWNER'S MANUAL, MFC9180 FOR FRA		
(1-1)	LE7398007	1	OWNER'S MANUAL, MFC9160 FOR NOR		
(1-1)	LE7374007	1	OWNER'S MANUAL, MFC9180 FOR NOR		
(1-1)	LE7398008	1	OWNER'S MANUAL, MFC9160 FOR BEL <DUTCH>		
(1-1)	LE7816008	1	OWNER'S MANUAL, MFC9160 FOR BEL/CHE<FRENCH>		
(1-1)	LE7374008	1	OWNER'S MANUAL, MFC9180 FOR BEL <DUTCH>		
(1-1)	LE7729008	1	OWNER'S MANUAL, MFC9180 FOR BEL/CHE<FRENCH>		
(1-1)	LE7398010	1	OWNER'S MANUAL, MFC9160 FOR CHE <GERMAN>		
(1-1)	LE7374010	1	OWNER'S MANUAL, MFC9180 FOR CHE <GERMAN>		
(1-1)	LE7398009	1	OWNER'S MANUAL, MFC9160 FOR NLD		
(1-1)	LE7374009	1	OWNER'S MANUAL, MFC9180 FOR NLD		
(1-1)	LE7374012	1	OWNER'S MANUAL, MFC9180 FOR FIN		
(1-1)	LE7398013	1	OWNER'S MANUAL, MFC9160 FOR DEN		
(1-1)	LE7374013	1	OWNER'S MANUAL, MFC9180 FOR DEN		
(1-1)	LE7398015	1	OWNER'S MANUAL, MFC9160 FOR SPA		
(1-1)	LE7374015	1	OWNER'S MANUAL, MFC9180 FOR SPA		
(1-1)	LE7398016	1	OWNER'S MANUAL, MFC9160 FOR ITA		
(1-1)	LE7374016	1	OWNER'S MANUAL, MFC9180 FOR ITA		
(1-1)	LE7398026	1	OWNER'S MANUAL, MFC9160 FOR SWE		
(1-1)	LE7374026	1	OWNER'S MANUAL, MFC9180 FOR SWE		
(1-1)	LF2385001	1	OWNER'S MANUAL, MFC9180 FOR RUS		ADD

www.dmkparts.pl

LIST13(PACKING)

REF.No.	CODE	Q'TY	DESCRIPTION	RECOMMEND	REMARKS
(1)	LE7390001	1	CARTON, BROTHER, MFC9160	√	
(1)	LE7360001	1	CARTON, BROTHER, MFC9180	√	
(2)	LE1986001	1	STYROFOAM ASSY		
(3)	LJ0763001	1	BAG, 1000X1000H		
(4)	LE7467001	1	PE SHEET, 306X450 (FOR SCANNER GLASS)		
(5)	LE7012001	1	CARTON FOR MANUAL, MFC9160/MFC9180		
(6)	LE7391001	1	START CARD, MFC9160 FOR GER		
(6)	LE7362001	1	START CARD, MFC9180 FOR GER/AUS		
(6)	LE7399001	1	START CARD, MFC9160 FOR UK		
(6)	LE7376001	1	START CARD, MFC9180 FOR UK/IRE		
(6)	LE7406001	1	START CARD, MFC9160 FOR FRA		
(6)	LE7381001	1	START CARD, MFC9180 FOR FRA		
(6)	LE7811001	1	START CARD, MFC9160 FOR NOR		
(6)	LE7727001	1	START CARD, MFC9180 FOR NOR		
(6)	LE7818001	1	START CARD, MFC9160 FOR BEL <DUTCH>		
(6)	LE7847001	1	START CARD, MFC9160 FOR BEL/CHE <FRENCH>		
(6)	LE7731001	1	START CARD, MFC9180 FOR BEL <DUTCH>		
(6)	LE7740001	1	START CARD, MFC9180 FOR BEL/CHE <FRENCH>		
(6)	LE7823001	1	START CARD, MFC9160 FOR NLD		
(6)	LE7773001	1	START CARD, MFC9180 FOR NLD		
(6)	LE7846001	1	START CARD, MFC9160 FOR CHE <GERMAN>		
(6)	LE7739001	1	START CARD, MFC9180 FOR CHE <GERMAN>		
(6)	LE7747001	1	START CARD, MFC9180 FOR FIN		
(6)	LE7830001	1	START CARD, MFC9160 FOR DEN		
(6)	LE7752001	1	START CARD, MFC9160 FOR DEN		
(6)	LE7835001	1	START CARD, MFC9160 FOR SPA		
(6)	LE7758001	1	START CARD, MFC9180 FOR SPA		
(6)	LE7840001	1	START CARD, MFC9160 FOR ITA		
(6)	LE7763001	1	START CARD, MFC9180 FOR ITA		
(6)	LE7845001	1	START CARD, MFC9160 FOR SWE		
(6)	LE7768001	1	START CARD, MFC9180 FOR SWE		
(6)	LE8208001	1	START CARD, MFC9160 FOR GNR		
(6)	LE7634001	1	START CARD, MFC9180 FOR GNR		
(6)	LF2389001	1	START CARD, MFC9180 FOR FUS		ADD
(7)	UL7932001	1	BAG 400X480 (FOR TONER/DRUM)		
(8)	LE7714001	1	PE SHEET, 280X500 (FOR DOCUMENT TRAY)		
(9)	UU0456001	1	PROTECTION PAPER (FOR ADF)		
(10)	LE8254001	1	QUICK SET UP GUIDE XP, MFC9160 FOR GER/CHE, MFC9180 FOR GER/CHE/AUS <GERMAN>		chg
(10)	LE8252001	1	QUICK SET UP GUIDE XP, MFC9160 FOR UK/GNR, MFC9180 FOR UK/IRE/GNR		chg
(10)	LE8253001	1	QUICK SET UP GUIDE XP, MFC9160/MFC9180 FOR FRA/BEL/CHE <FRENCH>		chg
(10)	LE8258001	1	QUICK SET UP GUIDE XP, MFC9160/MFC9180 FOR NOR		chg
(10)	LE8255001	1	QUICK SET UP GUIDE XP, MFC9160/MFC9180 FOR BEL/NLD <DUTCH>		chg
(10)	LE8261001	1	QUICK SET UP GUIDE XP, MFC9180 FOR FIN		chg
(10)	LE8260001	1	QUICK SET UP GUIDE XP, MFC9160/MFC9180 FOR DEN		chg
(10)	LE8257001	1	QUICK SET UP GUIDE XP, MFC9160/MFC9180 FOR SPA		chg
(10)	LE8256001	1	QUICK SET UP GUIDE XP, MFC9160/MFC9180 FOR ITA		chg
(10)	LE8259001	1	QUICK SET UP GUIDE XP, MFC9160/MFC9180 FOR SWE		chg

brother®

www.drukparts.pl

8C5631
PL-FAX017
Ver. U-1