

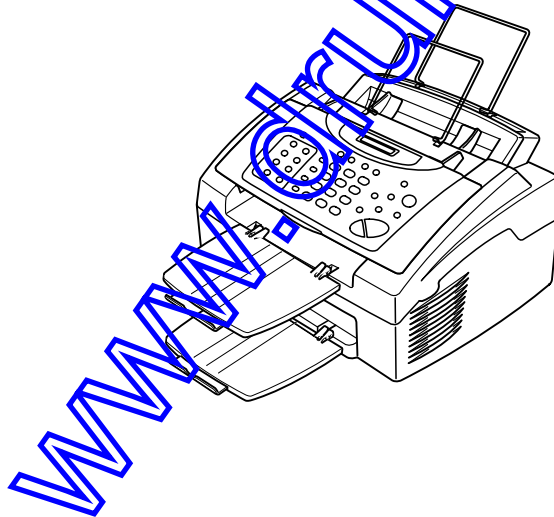
# brother®

FACSIMILE EQUIPMENT

## PARTS REFERENCE LIST

**MODEL: FAX8060P / MFC9060**

(For Germany / United Kingdom / France /  
Norway / Belgium / Netherlands /  
Switzerland / Ireland / Finland / Denmark /  
Austria / Spain / Italy / South Africa /  
Sweden / Euro Generic)



[www.drukparts.pl](http://www.drukparts.pl)

© Copyright Brother 2000

All rights reserved

No part of this publication may be reproduced in any form or by any means without permission in writing from the publisher.

Specifications are subject to change without prior notice.

## NOTES FOR USING THIS PARTS REFERENCE LIST

1. In the case of ordering parts, it needs mentioning the following items:

- (1) Code
- (2) Q' ty
- (3) Description

Note: No orders without Parts Code or Tool No. can be accepted.

[Example]

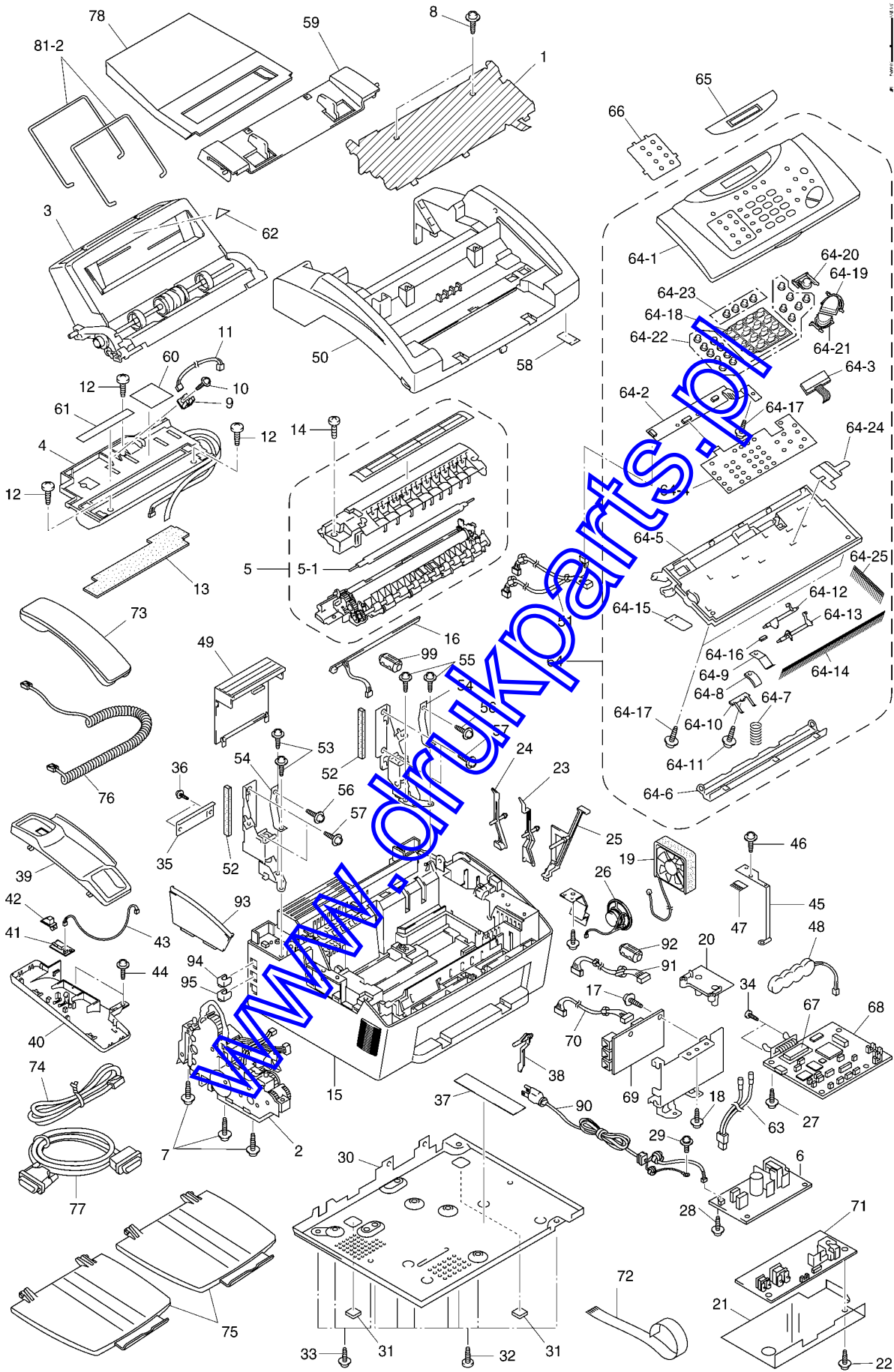
	(1)	(2)	(3)	
REF.NO.	CODE	Q' TY	DESCRIPTION	REMARKS

2. Parts change will be informed by the technical information

### COUNTRIES

- GERMANY ---- GER
- UNITED KINGDOM ---- UK
- FRANCE ---- FRA
- NORWAY ---- NOR
- BELGIUM ---- BEL
- NETHERLANDS ---- NLD
- SWITZERLAND ---- CHE
- IRELAND ---- IRE
- FINLAND ---- FIN
- DENMARK ---- DEN
- AUSTRIA ---- AUT
- SPAIN ---- SPA
- ITALY ---- ITA
- SOUTH AFRICA ---- ZAF
- SWEDEN ---- SWE
- EURO GENERIC ---- GNR

www.druckparts.pl



REF.NO.	CODE	Q'TY	DESCRIPTION	REMARKS
1			<b>SCANNER FRAME ATTACHMENT</b>	
2	LH0477001	1	GEAR DRIVE UNIT ASSY (SP)	
3	LH0478005	1	MULTI-PURPOSE SHEET FEEDER ASSY (SP), GLAY(1495)	
4	UU7134001	1	LASER UNIT ASSY (SP)	
5	UU7442001	1	HEAT-FIXING UNIT 240V ASSY (SP)	
5-1	UL6880001	1	FUSER LAMP, 240V (SP)	
(5-2)	UL6667001	1	THERMISTOR ASSY	
(5-3)	UL6681001	4	PINCH ROLLER ASSY	
(5-4)	UL6682001	4	PINCH ROLLER SPRING	
6	UG4557001	1	LOW-VOLTAGE POWER SUPPLY PCB ASSY, 230V, (EXCLUDING AC CORD)	
7	087412016	3	TAPTITE, CUP B M4X20	
8	087311016	2	TAPTITE, CUP B M3X10	
9	UG4220001	1	TONER SENSOR PCB ASSY	
10	087310815	1	TAPTITE, CUP B M3X8	
11	UG4144001	1	TONER SENSOR HARNESS	
12	085411215	3	TAPTITE, BIND B M4X12	
13	UU7043001	1	SCANNER SPONGE	
14	085411215	1	TAPTITE, BIND B M4X12	
15	LH0504001	1	MAIN COVER ASSY, GRAY(1495)	
16	UL6887001	1	EL PCB UNIT	
17	087320616	1	TAPTITE, CUP S M3X6	
18	085411215	1	TAPTITE, BIND B M4X12	
19	LH0367001	1	FAN	
20	UU7054001	1	FAN SUPPORT	
21	LH0417001	1	INSULATION FILM	
22	085411215	1	TAPTITE, BIND B M4X12	
23	UU7056001	1	REGISTRATION SENSOR ACTUATOR	
24	----		NOT USED	
25	UU7058001	1	TOP COVER SENSOR ACTUATOR	
26	UG4509001	1	SPEAKER	
27	085411215	1	TAPTITE, BIND B M4X12	
28	087320616	1	TAPTITE, CUP S M3X6	
29	UF6559001	1	SCREW, PAN (WASHER) M4X8LB	
30	UU7062001	1	BOTTOM PLATE	
31	UD4019001	2	RUBBER FOOT	
32	085411215	7	TAPTITE, BIND B M4X12	
33	087320616	3	TAPTITE, CUP S M3X6	
34	002300616	2	SCREW, PAN M3X6	
35	UU7064001	1	OPTION COVER, MFC9060	
36	0A5300805	2	SCREW, PAN (S/P WASHER) M3X8	
37	UU7322001	1	SPACER 30X145	
38	UL6717001	1	PAPER EJECTION SENSOR ACTUATOR (BLACK)	
39	----		NOT USED	
40	----		NOT USED	
41	----		NOT USED	
42	----		NOT USED	
43	----		NOT USED	
44	----		NOT USED	
45	UU7065001	1	SCANNER GROUNDING PLATE	
46	087310815	1	TAPTITE, CUP B M3X8	
47	UF7676001	1	ANTI-STATIC BRUSH	
48	----		NOT USED	
49	UU7006005	1	RCM COVER, GRAY(1495)	
50	UU7001005	1	TOP COVER, GRAY(1495)	
51	UG4502001	1	CIS & PANEL-MAIN HARNESSSES	
52	UU7168001	2	HARNESS SUPPORT SPONGE	
53	087411215	2	TAPTITE, CUP B M4X12	
54	UU7170001	2	TOP COVER STOPPER 12	
55	087411215	2	TAPTITE, CUP B M4X12	
56	087320616	2	TAPTITE, CUP S M3X6	
57	085411215	4	TAPTITE, BIND B M4X12	
58	UF7187001	1	SHIELD FILM	
59	UU7090005	1	DOCUMENT GUIDE BASE, GRAY(1495)	
60	UL6740001	1	LASER CAUTION LABEL	
61	UL6741001	1	TONER CAUTION LABEL	
62	----		NOT USED	
63	UG4634001	1	HEATER HARNESS(BROWN AND BLUE WIRES)	

REF.NO.	CODE	Q'TY	DESCRIPTION	REMARKS
64	LH0507001	1	CONTROL PANEL ASSY, FAX8060P FOR GER	
64	LH0514001	1	CONTROL PANEL ASSY, FAX8060P FOR UK/BEL/CHE/ZAF	
64	LH0517001	1	CONTROL PANEL ASSY, FAX8060P FOR FRA	
64	LH0572001	1	CONTROL PANEL ASSY, FAX8060P FOR NLD	
64	LH0575001	1	CONTROL PANEL ASSY, FAX8060P FOR SPA	
64	LH0578001	1	CONTROL PANEL ASSY, FAX8060P FOR ITA	
64	LH0523001	1	CONTROL PANEL ASSY, MFC9060 FOR GER/AUT	
64	LH0530001	1	CONTROL PANEL ASSY, MFC9060 FOR UK/BEL/CHE/IRE/ZAF/GNR	
64	LH0533001	1	CONTROL PANEL ASSY, MFC9060 FOR FRA	
64	LH0582001	1	CONTROL PANEL ASSY, MFC9060 FOR NOR	
64	LH0585001	1	CONTROL PANEL ASSY, MFC9060 FOR NLD	
64	LH0588001	1	CONTROL PANEL ASSY, MFC9060 FOR FIN	
64	LH0591001	1	CONTROL PANEL ASSY, MFC9060 FOR DEN	
64	LH0594001	1	CONTROL PANEL ASSY, MFC9060 FOR SPA	
64	LH0597001	1	CONTROL PANEL ASSY, MFC9060 FOR ITA	
64	LH0600001	1	CONTROL PANEL ASSY, MFC9060 FOR SWE	
64-1	LH0508001	1	CONTROL PANEL, FAX8060P FOR GER	
64-1	LH0515001	1	CONTROL PANEL, FAX8060P FOR UK/BEL/CHE/ZAF	
64-1	LH0518001	1	CONTROL PANEL, FAX8060P FOR FRA	
64-1	LH0573001	1	CONTROL PANEL, FAX8060P FOR NLD	
64-1	LH0576001	1	CONTROL PANEL, FAX8060P FOR SPA	
64-1	LH0579001	1	CONTROL PANEL, FAX8060P FOR ITA	
64-1	LH0524001	1	CONTROL PANEL, MFC9060 FOR GER/AUT	
64-1	LH0531001	1	CONTROL PANEL, MFC9060 FOR UK/BEL/CHE/IRE/ZAF/GNR	
64-1	LH0534001	1	CONTROL PANEL, MFC9060 FOR FRA	
64-1	LH0583001	1	CONTROL PANEL, MFC9060 FOR NOR	
64-1	LH0586001	1	CONTROL PANEL, MFC9060 FOR NLD	
64-1	LH0589001	1	CONTROL PANEL, MFC9060 FOR FIN	
64-1	LH0592001	1	CONTROL PANEL, MFC9060 FOR DEN	
64-1	LH0595001	1	CONTROL PANEL, MFC9060 FOR SPA	
64-1	LH0598001	1	CONTROL PANEL, MFC9060 FOR ITA	
64-1	LH0601001	1	CONTROL PANEL, MFC9060 FOR SWE	
64-2	LH7095001	1	CONTROL PANEL PCB ASSY	
64-3	LG2567001	1	LCD	
64-4	LH7098001	1	FPC KEY	
64-5	UU7004001	1	PANEL REAR COVER	
64-6	UU7101001	1	DOCUMENT PRESSURE BAR	
64-7	UU7147001	1	DOCUMENT PRESSURE BAR SPRING	
64-8	UU7521001	1	SEPARATION RUBBER	
64-9	UU7105001	1	ADF SPRING PLATE	
64-10	UU7106001	1	SPRING PLATE, ADF FRONT	
64-11	087310815	1	TAPTITE, CUP B M3X8	
64-12	UU7107001	1	DOCUMENT FRONT SENSOR ACTUATOR	
64-13	UU7108001	1	DOCUMENT REAR SENSOR ACTUATOR	
64-14	UU7505001	1	ANTI-STATIC BRUSH 1	
64-15	UF7187001	1	SHIELD FILM	
64-16	UU7285001	1	ANTI-VIBRATION RUBBER	
64-17	087310815	2	TAPTITE, CUP B M3X8	
64-18	UF4393007	1	KEY, TEL, GRAY(1495)	
64-19	LE4074001	1	KEY, START, PURPLE(6255)	
64-20	LJ4285003	1	KEY, COPY, GRAY(1496)	
64-21	LE4075002	1	KEY, STOP, GRAY(1495)	
64-22	LE3295001	15	KEY, CYLINDER 6, GRAY(1495)	
64-23	LE3295002	4	KEY, CYLINDER 6, PURPLE(6255)	
64-24	LH0505001	1	PANEL SHEET	
64-25	UU7506001	1	ANTI-STATIC BRUSH 22	
65	LH0509001	1	PANEL SHEET, FAX8060P	
65	LH0525001	1	PANEL SHEET, MFC9060 FOR GER/AUT	
65	LH0532001	1	PANEL SHEET, MFC9060 FOR UK/FRA/NOR/BEL/NLD/ CHE/IRE/FIN/DEN/SPA/ITA/ZAF/SWE/GNR	
66	LH0443001	1	ADDRESS LABEL, FAX8060P	
66	LH0407001	1	ADDRESS LABEL, MFC9060	
67	LH7048003	4	OPTROM, FOR GER/AUT	<Eliminated>
67	LH7141003	4	MASKED ROM, FAX8060P FOR GER	
67	LH7048004	1	OPTROM, FAX8060P FOR UK/ZAF, MFC9060 FOR UK/IRE/ZAF/GNR	
67	LH7048005	1	OPTROM, FAX8060P/MFC9060 FOR FRA	
67	LH7048007	1	OPTROM, FOR NOR/BEL/NLD/CHE/FIN/DEN/ITA/SWE	

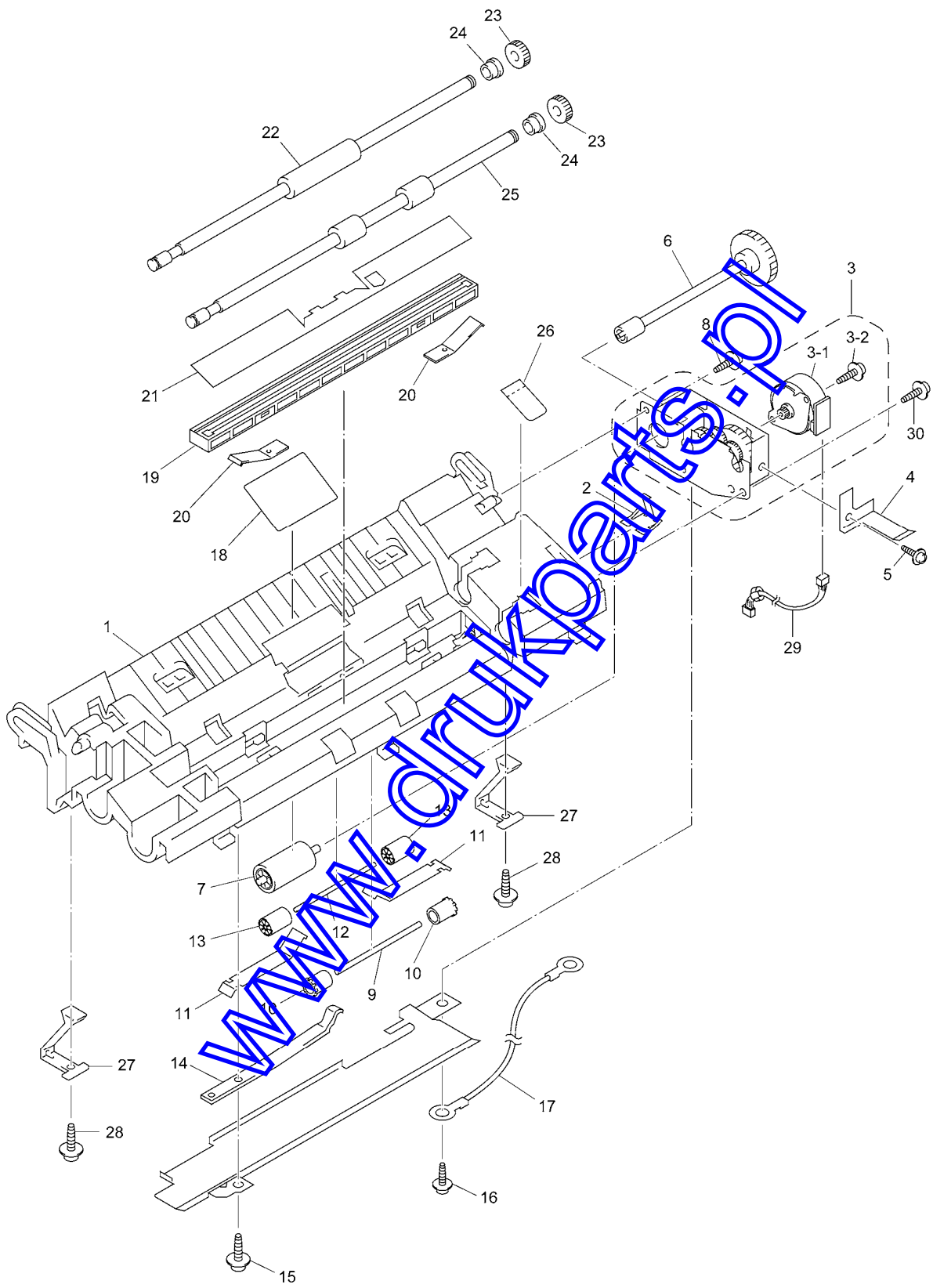
REF.NO.	CODE	Q'TY	DESCRIPTION	REMARKS
67	LH7048015	1	OPTROM, FAX8060P/MFC9060 FOR SPA	
67	LH7048024	1	OPTROM, FAX8060P FOR ZAF	
68	LH7143034	4	MAIN PCB ASSY, FAX8060P FOR GER	<Eliminated>
68	LH7130011	1	MAIN PCB ASSY (W/O FLASH), FAX8060P FOR GER/UK/FRA/BEL/NLD/CHE/SPA/ITA/ZAF	
68	LH7142031	1	MAIN PCB ASSY (W/ FLASH), MFC9060 FOR GER/UK/FRA/IRE/AUT/SPA/ZAF	
68	LH7131021	1	MAIN PCB ASSY (W/O FLASH), MFC9060 FOR NOR/BEL/NLD/CHE/FIN/DEN/ITA/SWE/GNR	
69	LG2810011	1	NCU PCB ASSY, FOR GER	
69	LG2810014	1	NCU PCB ASSY, FOR UK/FRA/NOR/BEL/ NLD/IRE/FIN/DEN/AUT/ZAF/SWE/GNR	
69	LG2810012	1	NCU PCB ASSY, FOR CHE	
69	LG2810013	1	NCU PCB ASSY, FOR SPA/ITA	
70	LH7050001	1	NCU-MAIN HARNESS	
71	LH7129001	1	HIGH-VOLTAGE POWER SUPPLY PCB ASSY	
72	UG4507001	1	HV FLAT CABLE 12	
73	----		NOT USED	
74	UG3625001	1	TELEPHONE LINE CORD, FOR GER	
74	UG3626001	1	TELEPHONE LINE CORD, FOR UK/ZAF	
74	UG3627001	1	TELEPHONE LINE CORD, FOR FRA	
74	UG3629001	1	TELEPHONE LINE CORD, FOR NOR	
74	UG1575001	1	TELEPHONE LINE CORD, FOR BEL	
74	UG3631001	1	TELEPHONE LINE CORD, FOR NLD	
74	UG3469000	1	TELEPHONE LINE CORD, FOR CHE	
74	UG1570001	1	TELEPHONE LINE CORD, FOR IRE/SPA/ZAF/GNR	
74	UG3632001	1	TELEPHONE LINE CORD, FOR FIN	
74	UG3633001	1	TELEPHONE LINE CORD, FOR DEN	
74	UG4205001	1	TELEPHONE LINE CORD, FOR AUT	
74	UG3634001	1	TELEPHONE LINE CORD, FOR ITA	
74	UG3635001	1	TELEPHONE LINE CORD, FOR SWE	
75	UU7114005	2	PAPER EJECTION TRAY, GRAY(1495)	
76	----		NOT USED	
77	UG4558001	1	I/F CABLE, MFC9060 FOR GER/UK/IRE/AUT/ZAF/GNR	
78	----		NOT USED	
79	----		NOT USED	
80	----		NOT USED	
(81)	LH0510001	1	OWNER'S MANUAL ASSY, FAX8060P FOR GER (INCLUDING OPERATIONS MANUAL(REF.NO.(81-1), WARRANTY CARD, REORDER FORM AND TRAY EXTENSION (REF.NO.(81-2))	
(81)	LH0537001	1	OWNER'S MANUAL ASSY, MFC9060 FOR GER/AUT (INCLUDING OPERATIONS MANUAL (REF.NO.(81-1), WARRANTY CARD, TRAY EXTENSION (REF.NO.81-2))	
(81)	LH0516001	1	OWNER'S MANUAL ASSY, FAX8060P FOR UK (INCLUDING 2 OPERATIONS MANUAL(REF.NO.(81-1), WARRANTY CARD, SUFFOCATION CAUTION LABEL, TRAY EXTENSION(REF.NO.81-2))	
(81)	LH0664001	1	OWNER'S MANUAL ASSY, MFC9060P FOR UK (INCLUDING OPERATIONS MANUAL(REF.NO.(81-1), WARRANTY CARDS, SUFFOCATION CAUTION LABEL, LICENCE SHEET, TRAY EXTENSION(REF.NO.81-2))	
(81)	LH0519001	1	OWNER'S MANUAL ASSY, FAX8060P FOR FRA (INCLUDING OPERATIONS MANUAL(REF.NO.(81-1), WARRANTY CARD, TRAY EXTENSION (REF.NO.81-2))	
(81)	LH0665001	1	OWNER'S MANUAL ASSY, MFC9060P FOR FRA (INCLUDING OPERATIONS MANUAL(REF.NO.(81-1), WARRANTY CARDS, LICENCE SHEET, TRAY EXTENSION(REF.NO.81-2))	
(81)	LH0584001	1	OWNER'S MANUAL ASSY, MFC9060 FOR NOR (INCLUDING OPERATIONS MANUAL (REF.NO.(81-1), WARRANTY CARD, TRAY EXTENSION (REF.NO.81-2))	
(81)	LH0571001	1	OWNER'S MANUAL ASSY, FAX8060P FOR BEL (INCLUDING OPERATIONS MANUALS (REF.NO.(81-1), WARRANTY CARD, TRAY EXTENSION (REF.NO.81-2))	
(81)	LH0667001	1	OWNER'S MANUAL ASSY, MFC9060 FOR BEL (INCLUDING 2 OPERATIONS MANUALS (REF.NO.(81-1),	

REF.NO.	CODE	Q'TY	DESCRIPTION	REMARKS
(81)	LH0574001	1	WARRANTY CARD, LICENCE SHEET, TRAY EXTENSION (REF.NO.81-2)) OWNER'S MANUAL ASSY, FAX8060P FOR NLD (INCLUDING OPERATIONS MANUAL (REF.NO.(81-1), WARRANTY CARD, TRAY EXTENSION (REF.NO.81-2))	
(81)	LH0668001	1	OWNER'S MANUAL ASSY, MFC9060 FOR NLD (INCLUDING 2 OPERATIONS MANUALS (REF.NO.(81-1), WARRANTY CARD, LICENCE SHEET, TRAY EXTENSION (REF.NO.81-2))	
(81)	LH0520001	1	OWNER'S MANUAL ASSY, FAX8060P FOR CHE (INCLUDING OPERATIONS MANUALS (REF.NO.(81-1), WARRANTY CARD, TRAY EXTENSION (REF.NO.81-2))	
(81)	LH0669001	1	OWNER'S MANUAL ASSY, MFC9060 FOR CHE (INCLUDING 2 OPERATIONS MANUALS (REF.NO.(81-1), WARRANTY CARD, LICENCE SHEET, TRAY EXTENSION (REF.NO.81-2))	
(81)	LH0587001	1	OWNER'S MANUAL ASSY, FOR IRE (INCLUDING OPERATIONS MANUAL (REF.NO.(81-1), WARRANTY CARD, TRAY EXTENSION (REF.NO.81-2))	
(81)	LH0590001	1	OWNER'S MANUAL ASSY, FOR FIN (INCLUDING OPERATIONS MANUAL (REF.NO.(81-1), TRAY EXTENSION (REF.NO.81-2))	
(81)	LH0593001	1	OWNER'S MANUAL ASSY, FOR DEN (INCLUDING OPERATIONS MANUAL (REF.NO.(81-1), WARRANTY CARD, TRAY EXTENSION (REF.NO.81-2))	
(81)	LH0577001	1	OWNER'S MANUAL ASSY, FAX8060P FOR SPA (INCLUDING OPERATIONS MANUAL (REF.NO.(81-1), WARRANTY CARD, TRAY EXTENSION (REF.NO.81-2))	
(81)	LH0670001	1	OWNER'S MANUAL ASSY, MFC9060 FOR SPA (INCLUDING OPERATIONS MANUAL (REF.NO.(81-1), WARRANTY CARDS, LICENCE SHEET, TRAY EXTENSION (REF.NO.81-2))	
(81)	LH0580001	1	OWNER'S MANUAL ASSY, FAX8060P FOR ITA (INCLUDING OPERATIONS MANUAL (REF.NO.(81-1), WARRANTY CARD, TRAY EXTENSION (REF.NO.81-2))	
(81)	LH0671001	1	OWNER'S MANUAL ASSY, MFC9060 FOR ITA (INCLUDING OPERATIONS MANUAL (REF.NO.(81-1), WARRANTY CARD, LICENCE SHEET, TRAY EXTENSION (REF.NO.81-2))	
(81)	LH0677001	1	OWNER'S MANUAL ASSY, FAX8060P FOR ZAF (INCLUDING OPERATIONS MANUAL (REF.NO.(81-1), TRAY EXTENSION (REF.NO.81-2))	
(81)	LH0599001	1	OWNER'S MANUAL ASSY, MFC9060 FOR ZAF (INCLUDING OPERATIONS MANUAL (REF.NO.(81-1), TRAY EXTENSION (REF.NO.81-2))	
(81)	LH0602001	1	OWNER'S MANUAL ASSY, FOR SWE (INCLUDING OPERATIONS MANUAL (REF.NO.(81-1), WARRANTY CARD, TRAY EXTENSION (REF.NO.81-2))	
(81)	LH0648001	1	OWNER'S MANUAL ASSY, FOR GNR (INCLUDING OPERATIONS MANUAL (REF.NO.(81-1), TRAY EXTENSION (REF.NO.81-2))	
(81-1)	LH0536001	1	OPERATIONS MANUAL, FAX8060P FOR GER	
(81-1)	LH0538001	1	OPERATIONS MANUAL, MFC9060 FOR GER/AUT	
(81-1)	LH0511004	1	OPERATIONS MANUAL, FOR UK/IRE/ZAF/GNR	
(81-1)	LH0511005	1	OPERATIONS MANUAL, FOR FRA	
(81-1)	LH0511007	1	OPERATIONS MANUAL, FOR NOR	
(81-1)	LH0511008	1	OPERATIONS MANUAL, FOR BEL (DUTCH)	
(81-1)	LH0521008	1	OPERATIONS MANUAL, FOR BEL/CHE (FRENCH)	
(81-1)	LH0511009	1	OPERATIONS MANUAL, FOR NLD	
(81-1)	LH0511010	1	OPERATIONS MANUAL, FOR CHE (GERMAN)	
(81-1)	LH0511012	1	OPERATIONS MANUAL, FOR FIN	
(81-1)	LH0511013	1	OPERATIONS MANUAL, FOR DEN	
(81-1)	LH0511015	1	OPERATIONS MANUAL, FOR SPA	
(81-1)	LH0511016	1	OPERATIONS MANUAL, FOR ITA	
(81-1)	LH0511026	1	OPERATIONS MANUAL, FOR SWE	
81-2	UL6856000	2	TRAY EXTENSION	
(82)	LH0526001	1	CD-ROM ASSY, MFC9060 FOR GER/UK/FRA/CHE/IRE/AUT/ITA/ZAF/GNR	



REF.NO.	CODE	Q'TY	DESCRIPTION	REMARKS
(82)	LH0660001	1	CD-ROM ASSY, MFC9060 FOR NOR/FIN/DEN/SWE	
(82)	LH0657001	1	CD-ROM ASSY, MFC9060 FOR BEL/NLD/SPA	
(83)	----		NOT USED	
(84)	LH0513001	1	CARTON, BROTHER, FAX8060P	
(84)	LH0529001	1	CARTON, BROTHER, MFC9060	
(85)	LH0041001	1	STYROFOAM ASSY	
(86)	UE2136002	1	BAG, 700X1000H (FOR MACHINE) FOR FRA	
(86)	UE2136001	1	BAG, 700X1000H (FOR MACHINE) FOR COUNTRIES EXCEPT FRA	
(87)	UL7932001	1	PROCESS BAG 400X480	
(88)	UU0456001	1	PROTECTION PAPER	
(89)	----		NOT USED	
90	UG4575001	1	AC CORD ASSY, FOR GER/FRA/NOR/BEL/ NLD/FIN/AUT/SPA/ITA/SWE/GNR	
90	UG4576001	1	AC CORD ASSY, FOR UK/IRE	
90	UG4578001	1	AC CORD ASSY, FOR CHE	
90	LH7134001	1	AC CORD ASSY, FOR DEN	
90	LH7061001	1	AC CORD ASSY, FOR ZAF	
91	----		NOT USED	
92	LE0019001	1	FERRITE CORE BAG ASSY, MFC9060 FOR FRA/NOR/BEL/ NLD/CHE/FIN/DEN/SPA/ITA/SWE	
93	UU7165003	1	W/O HANDSET COVER	
94	UF5745000	1	MJ COVER, EXT, FOR GER/UK/FRA/BEL/ NLD/FIN/DEN/AUT/ITA/ZAF/SWE/GNR	
95-99	----		NOT USED	

www.drukparts.pl



**1.SCANNER FRAME ATTACHMENT**

REF.NO.	CODE	Q'TY	DESCRIPTION	REMARKS
1	UU7002001	1	SCANNER FRAME	
2	UU7012001	1	CIS SIDE SPRING	
3	LH0393001	1	SCANNER DRIVE UNIT	
3-1	UU7490001	1	SCANNER MOTOR	
3-2	0A4300605	1	SCREW, PAN (S/P WASHER) M3X6	
4	UU7029001	1	SCANNER GROUNDING LEAF SPRING	
5	087320616	1	TAPTITE, CUP S M3X6	
6	UU7030001	1	SEPARATION ROLLER GEAR	
7	UU7031001	1	SEPARATION ROLLER	
8	087310815	1	TAPTITE, CUP B M3X8	
9	UF4369000	1	PINCH ROLLER SHAFT	
10	UL6244002	2	PINCH ROLLER	
11	UU7032001	2	PRESSURE ROLLER LEAF SPRING	
12	UF4369000	1	PRESSURE ROLLER SHAFT	
13	UF9009001	2	PRESSURE ROLLER	
14	UU7033001	1	PINCH ROLLER LEAF SPRING	
15	087310815	1	TAPTITE, CUP B M3X8	
16	087320616	1	TAPTITE, CUP S M3X6	
17	UG4595001	1	GROUNDING WIRE	
18	UU7364001	1	ROLLER FILM	
19	LH7116001	1	CIS UNIT	
20	UU7035001	2	CIS LEAF SPRING	
21	UU7036001	1	CIS FILM	
22	UU7037001	1	DOCUMENT FEED ROLLER	
23	UU7039001	2	GEAR 27	
24	UU7284001	2	BEARING 6	
25	UU7040001	1	DOCUMENT EJECTION ROLLER	
26	UF7187001	1	SHIELD FILM	
27	UU7013001	2	CONTROL PANEL LOCK (LEAF SPRING)	
28	087310815	2	TAPTITE, CUP B M3X8	
29	UG4501001	1	SCANNER MOTOR HARNESS	
30	087311016	1	TAPTITE, CUP B M3X10	

[www.druckparts.pl](http://www.druckparts.pl)

**brother**

[www.drumparts.pl](http://www.drumparts.pl)