



FACSIMILE EQUIPMENT

PARTS REFERENCE LIST

MODEL: MFC890

(For Germany / United Kingdom / France /
Belgium / Netherlands / Switzerland /
Ireland / Denmark / Austria / Spain / Italy /
Sweden / Norway / Finland / General)

MFC5200C

(For Australia / New Zealand / Asia)

www.drukparts.nl

www.drukparts.pl

© Copyright Brother 2002

All rights reserved

No part of this publication may be reproduced in any form or by any means without permission in writing from the publisher.

Specifications are subject to change without prior notice.

NOTES FOR USING THIS PARTS REFERENCE LIST

1. In the case of ordering parts, it needs mentioning the following items:

- (1) Code
- (2) Q' ty
- (3) Description

Note: No orders without Parts Code or Tool No. can be accepted.

[Example]

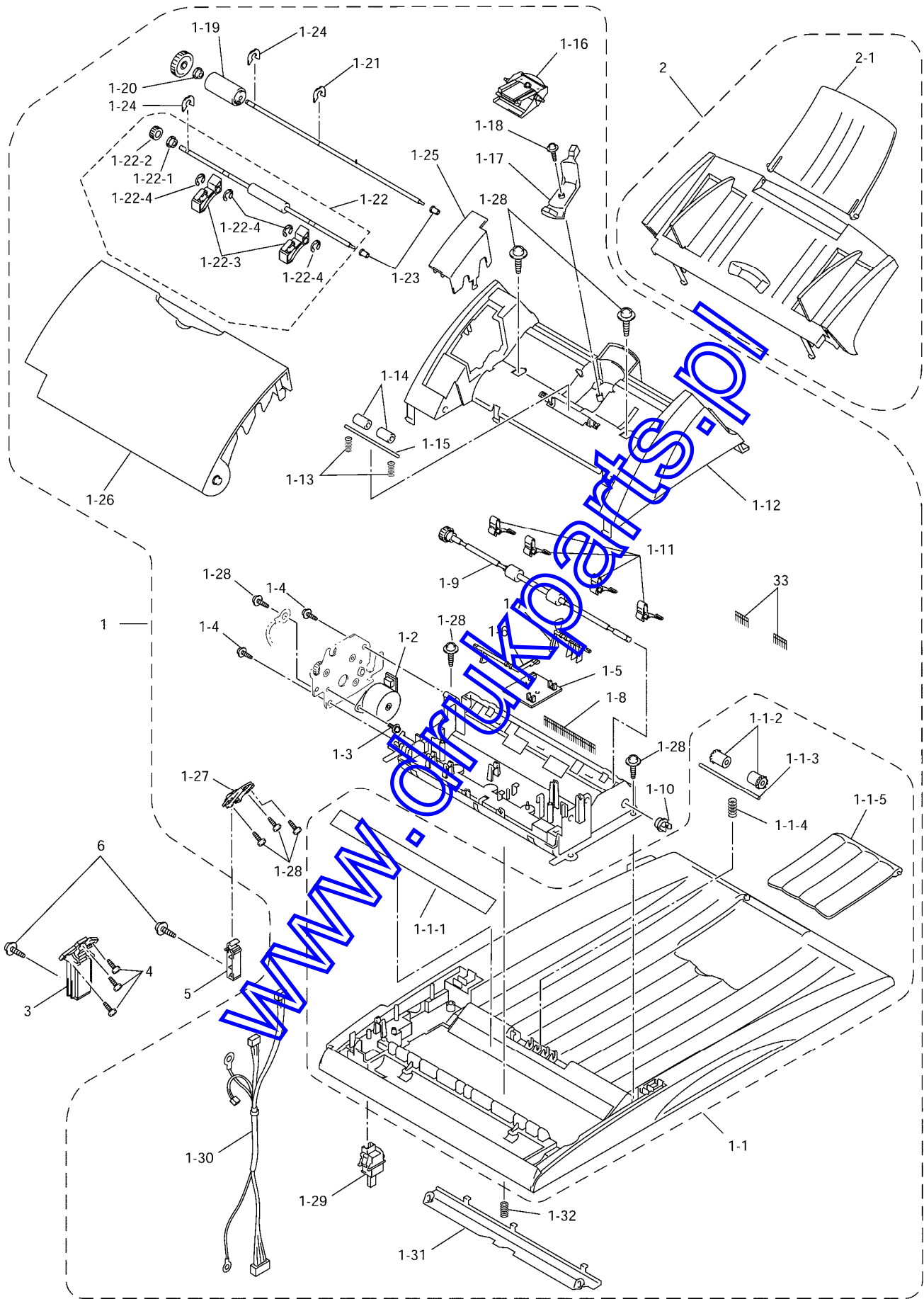
	(1)	(2)	(3)		
REF.NO.	CODE	Q' TY	DESCRIPTION	RECOMMEND	REMARKS

2. Parts change will be informed by the technical information

COUNTRIES

- GERMAN ---- GER
- UNITED KINGDOM ---- UK
- FRANCE ---- FRA
- BELGIUM ---- BEL
- NETHERLAND ---- NLD
- SWITZERLAND ---- CHE
- IRELAND ---- IRE
- DENMARK ---- DEN
- AUSTRIA ---- AUS
- SPAIN ---- SPA
- ITALY ---- ITA
- SWEDEN ---- SWE
- NORWAY ---- NOR
- FINLAND ---- FIN
- GENERAL ---- GEN
- AUSTRALIA ---- ARL
- NEW ZEALAND ---- NZ
- ASIA ---- ASA

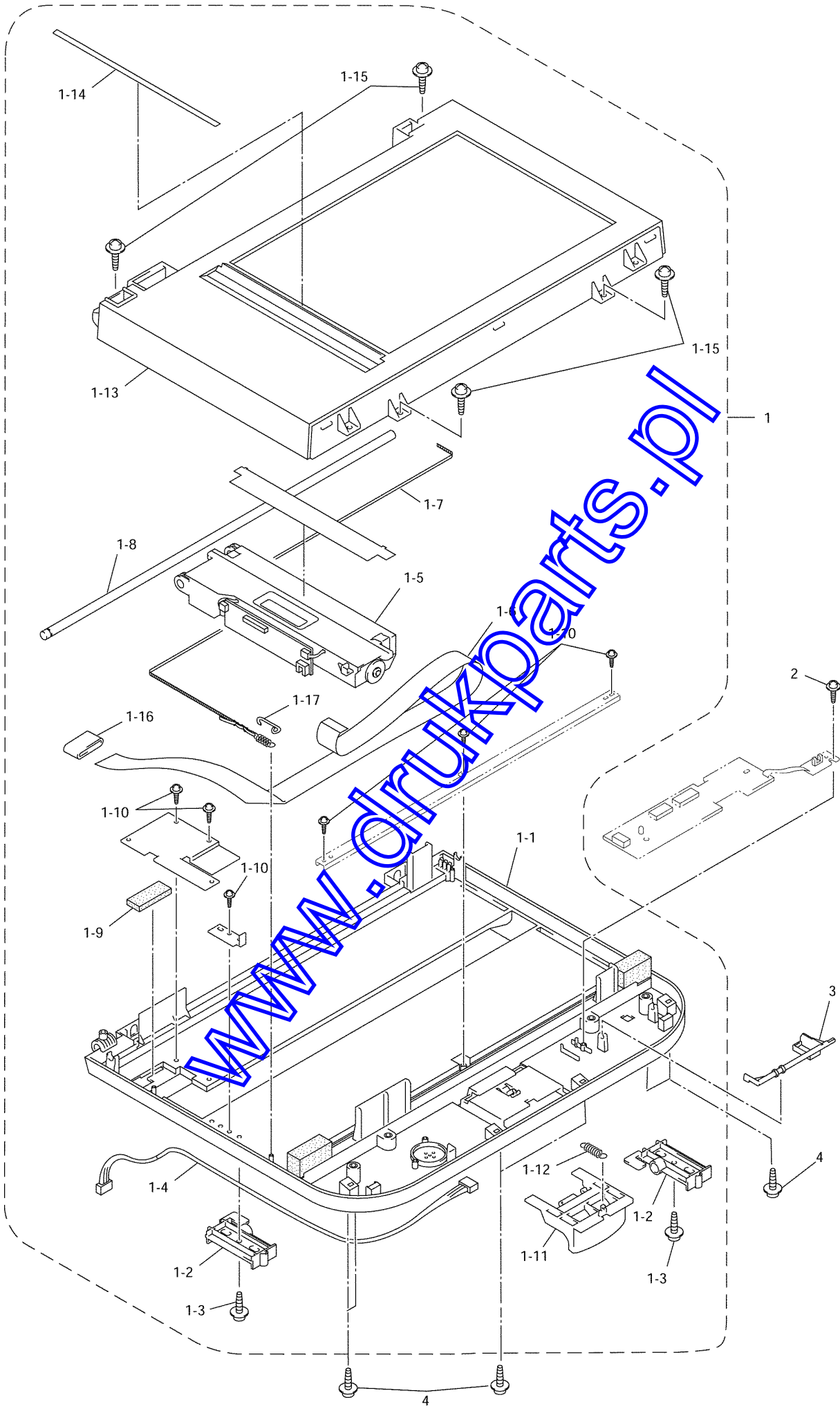
www.druckparts.pl



LIST1(ADF)

REF.No.	CODE	Q'TY	DESCRIPTION	RECOMMEND	REMARKS
1	LE9436001	1	DOCUMENT COVER ASSY	√	
1-1	LE9437001	1	DOCUMENT COVER SUB ASSY, GRAY(1495)		
1-1-1	LE6205001	1	CHUTE FILM		
1-1-2	UL6244002	2	PINCH ROLLER		
1-1-3	LE2471001	1	PINCH ROLLER SHAFT		
1-1-4	LE6206001	1	PINCH ROLLER SPRING		
1-1-5	LE6207001	1	ADF DOCUMENT OUTPUT SUPPORT EXTENSION, GRAY(1495)		
1-2	LE6214001	1	ADF MOTOR		
1-3	0A4300605	1	SCREW, PAN (S/P WASHER) M3X6		
1-4	087310815	2	TAPTITE, CUP B M3X8		
1-5	LG3216001	1	DOCUMENT SENSOR PCB ASSY		
1-6	LE6219001	1	DOCUMENT REAR SENSOR ACTUATOR		
1-7	LE6220001	1	DOCUMENT FRONT SENSOR ACTUATOR		
1-8	LE6221001	1	ANTI-STATIC BRUSH		
1-9	LE6222001	1	DOCUMENT EJECTION ROLLER ASSY		
1-10	UF0026001	1	PAWLED BUSHING		
1-11	LE6334001	4	DOCUMENT GUIDE CLIP		
1-12	LE6226001	1	UPPER ADF CHUTE, GRAY(1495)		
1-13	LE2472001	2	PRESSURE ROLLER SPRING		
1-14	UF9009001	2	PRESSER ROLLER		
1-15	LE2471001	1	PRESSURE ROLLER SHAFT		
1-16	LE6345001	1	SEPARATOR RUBBER UNIT		
1-17	LE6330001	1	ADF THICKNESS ADJUSTER		
1-18	UF5034001	1	TAPTITE, B 3X6		
1-19	LE2037001	1	SEPARATION ROLLER		
1-20	LE6494001	1	BUSHING		
1-21	048050346	1	RETAINING RING, E5		
1-22	LE6233001	1	DOCUMENT FEED ROLLER ASSY		
1-22-1	LE6494001	1	BUSHING		
1-22-2	LE6495001	1	DOCUMENT FEED ROLLER GEAR		
1-22-3	LE6492001	2	DOCUMENT FEED ROLLER PAPER CHUTE		
1-22-4	048050346	4	RETAINING RING, E5		
1-23	UF9949001	2	BUSHING S		
1-24	LE2537001	2	PLASTIC RETAINING RING		
1-25	LE6236001	1	GEAR COVER, GRAY(1495)		
1-26	LE6237001	1	ADF COVER, GRAY(1495)		
1-27	LE6245001	1	HINGE BASE R		
1-28	087311016	8	TAPTITE, CUP B M3X10		
1-29	LG3218001	1	DOCUMENT COVER OPEN SENSOR		
1-30	LG3827001	1	ADF HARNESS		
1-31	LE9010001	1	DOCUMENT PRESSURE BAR		
1-32	LE6218001	1	SPRING		
1-33	LE6609001	2	ANTI-STATIC BRUSH S		
1-34	LE6230001	1	SEPARATE ROLLER GEAR		
2	LE6246001	1	DOCUMENT GUIDE ASSY, GRAY(1495)		
2-1	LE6250001	1	DOCUMENT SUPPORT, CLEAR PURPLE(6342)		
3	LE6238001	1	HINGE ASSY L		
4	087311016	3	TAPTITE, CUP B M3X10		
5	LE6244001	1	HINGE ARM R		
6	085411216	2	SCREW, BIND B TITE 4X72		

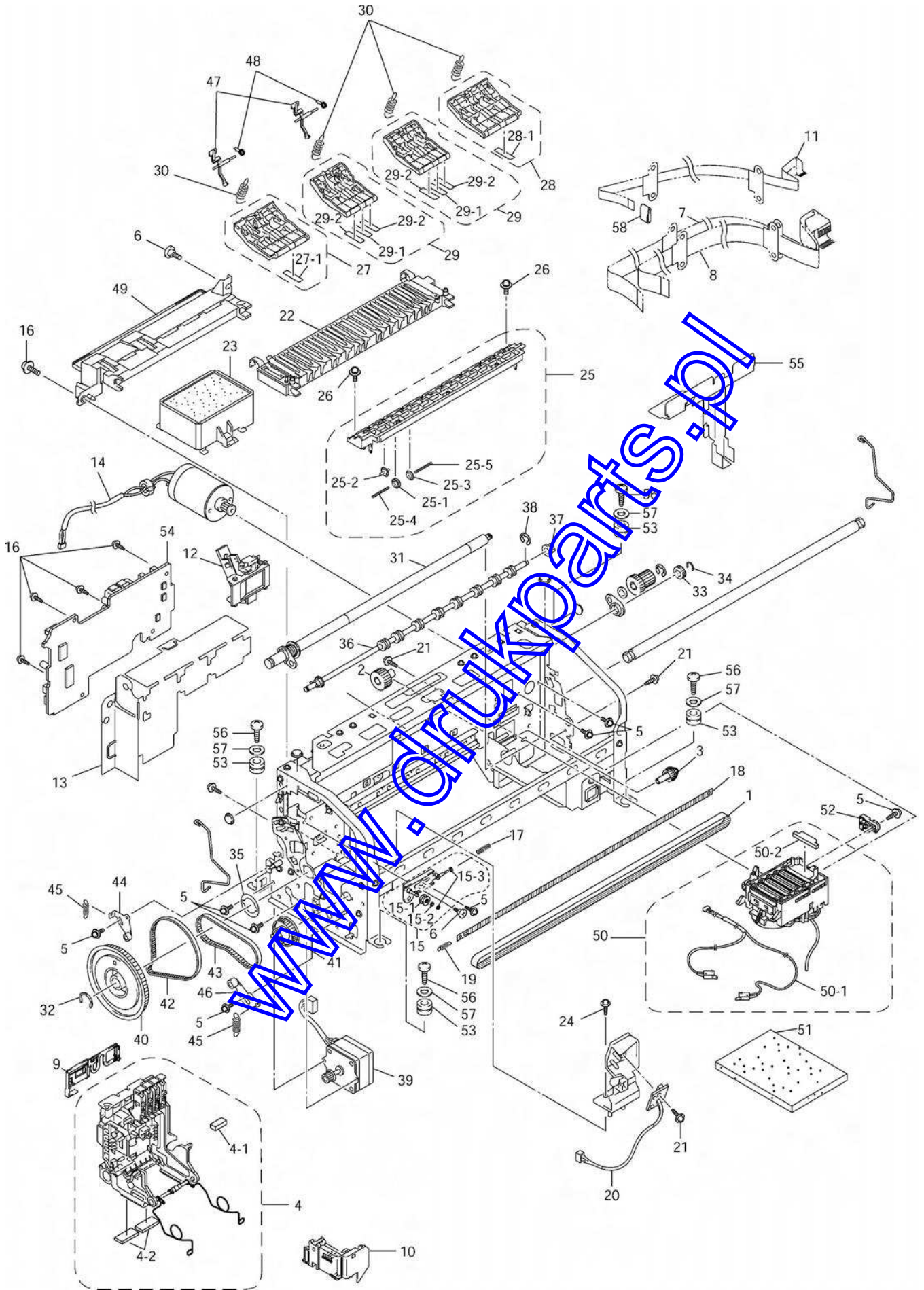
www.druckparts.pl



LIST2(SCANNER)

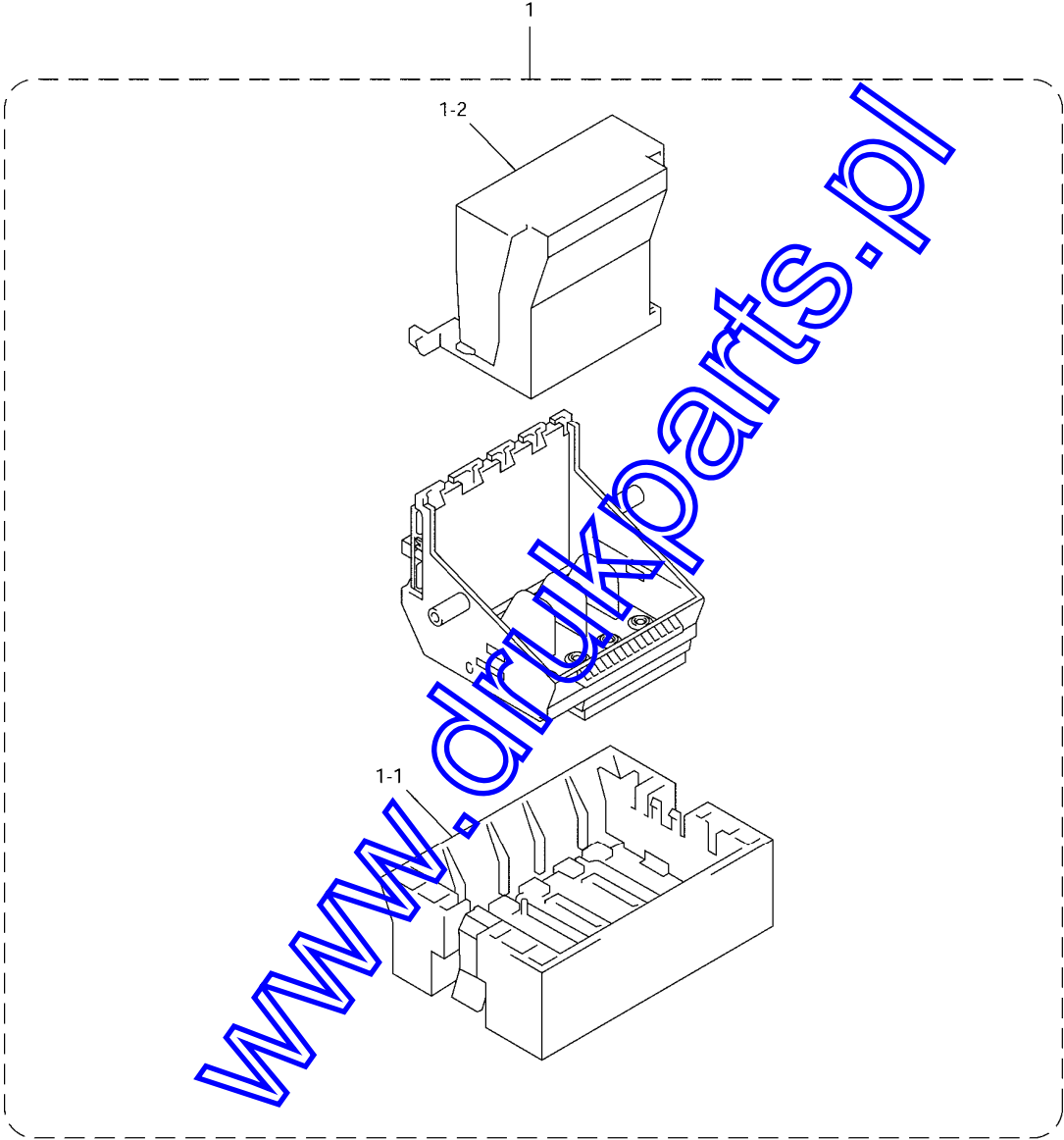
REF.No.	CODE	Q'TY	DESCRIPTION	RECOMMEND	REMARKS
1	LE9351001	1	SCANNER UNIT(SP)	√	
1-1	LE9314001	1	SCANNER BASE, GRAY(1495)		
1-2	LE6253001	2	SCANNER LINK SUPPORT		
1-3	087411216	2	TAPTITE, CUP B M4X12		
1-4	LG3233001	1	PANEL HARNESS		
1-5	LF2492001	1	CCD UNIT (SP)		CHG
1-6	LE6351001	1	CCD FLAT CABLE		
1-7	LE6353001	1	CCD DRIVE BELT ASSY		
1-8	LE6259001	1	CCD RAIL		
1-9	LE6260001	1	SPONGE R		
1-10	087310816	6	TAPTITE, CUP B M3X8		
1-11	LE9255001	1	SCANNER COVER RELEASE LEVER, PURPLE(6255)		
1-12	LE6264001	1	LEVER SPRING		
1-13	LE6267001	1	SCANNER TOP COVER ASSY, GRAY(1495)		
1-14	LE6355001	1	DOCUMENT SET LABEL		
1-15	087411216	4	TAPTITE, CUP B M4X12		
1-16	LG2020001	1	FLAT CORE 40X20X6.5		
1-17	LE9433001	1	BELT HOLDING SPRING		
2	087310815	1	TAPTITE, CUP B M3X8		
3	LE2095001	1	SCANNER OPEN SENSOR ACTUATOR		
4	087311216	6	TAPTITE, CUP B M3X12		

www.drukparts.pl



LIST3(ENGINE)

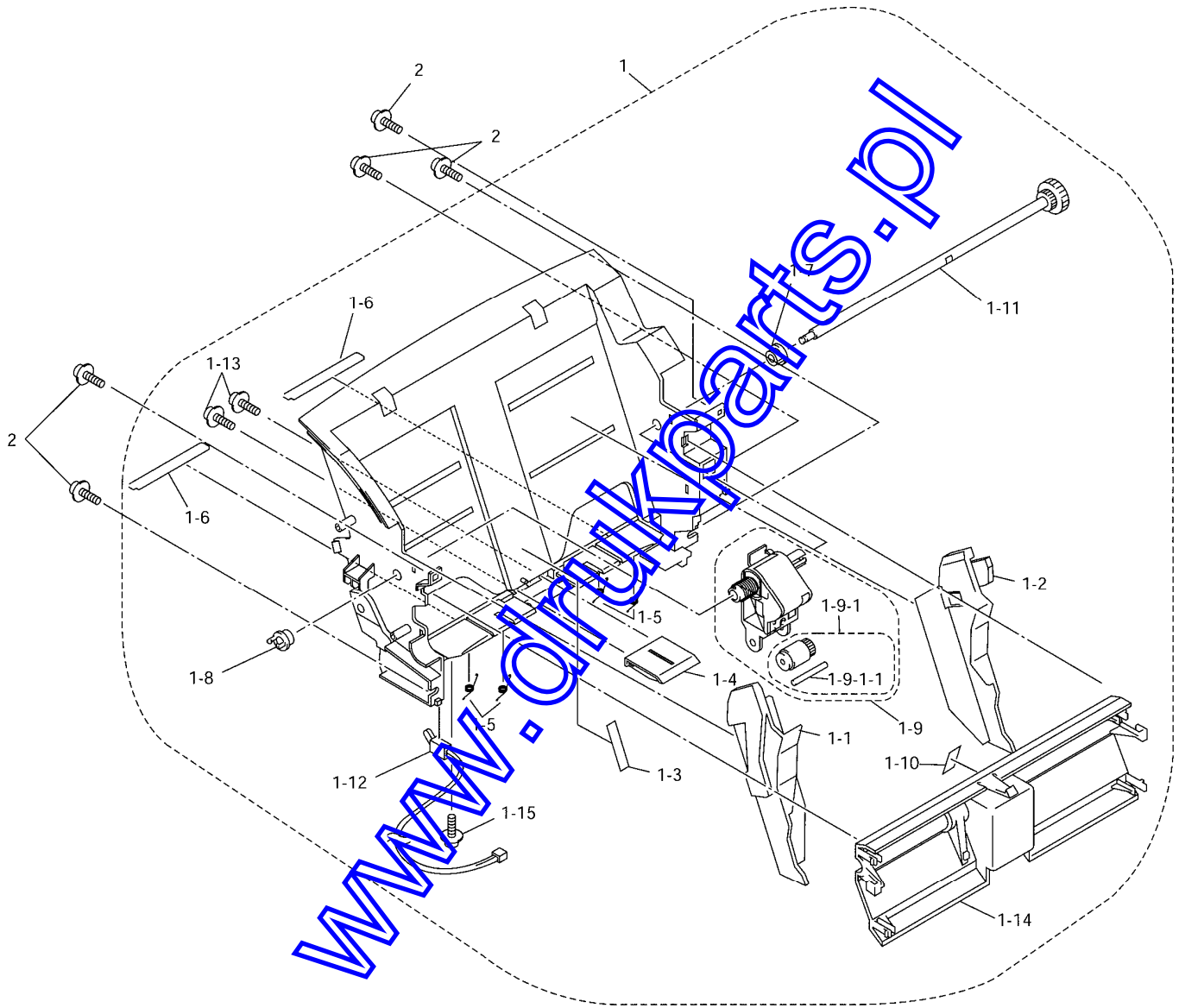
REF No.	CODE	Q'TY	DESCRIPTION	RECOMMEND	REMARKS
1	LE9061001	1	CARRIAGE TIMING BELT		
2	LE9268001	1	GEAR, 25M		
3	LE6031001	1	PURGE BEVEL GEAR A		
4	LE9039001	1	CARRIAGE UNIT ASSY	√	
4-1	LE9434001	1	FELT		
4-2	LE9435001	2	FELT M2		
5	0A5300605	8	SCREW, PAN (S/P WASHER) M3X6		
6	UF9823001	2	SHOULDER SCREW		
7	LE9068001	1	HEAD FLAT CABLE W ASSY (18 terminals)		
8	LE9070001	1	HEAD FLAT CABLE M ASSY (32 terminals)		
9	LE9071001	1	FFC STOPPER 1		
10	LE9072001	1	FFC STOPPER 2		
11	LE9073001	1	HEAD FLAT CABLE N ASSY		
12	LE9075001	1	FLAT CABLE CLAMP		
13	LE9180001	1	HARNES SUPPORT FILM L		
14	LE9077001	1	CARRIAGE MOTOR		
15	LE9081001	1	IDLE PULLEY HOLDER ASSY		
15-1	LE3170001	1	IDLE PULLEY		
15-2	026030135	1	WASHER, PLAIN S 3		
15-3	048020345	2	RETAINING RING, E2		
16	087320615	5	SCREW, CUP S TITE 3X6		
17	LE3171001	1	PULLEY SPRING		
18	LE9084001	1	ENCODER STRIP		
19	UD6012001	1	ENCODER STRIP SPRING		
20	LG3837001	1	INK EMPTY SENSOR PCB ASSY		
21	087310815	3	TAPTITE, CUP B M3X8		
22	LE9329001	1	PLATEN		
23	LE9090001	1	FLUSHING FOAM CASE ASSY		
24	087320616	1	TAPTITE, CUP S M3X6		
25	LE9094001	1	STAR WHEEL SUPPORT ASSY		
25-1	LE6504001	8	STAR WHEEL W		
25-2	LE6805001	8	STAR WHEEL B		
25-3	LE6105001	5	STAR WHEEL A		
25-4	LE9236001	8	STAR WHEEL SPRING		
25-5	LE9274001	5	STAR WHEEL SPRING A		
26	LE9229001	2	TAPTITE, PAN B 3X10		
27	LE9096001	1	PAPER PRESSURE HOLDER L ASSY		
27-1	LE9291001	1	PRESSURE HOLDER FILM		
28	LE9098001	1	PAPER PRESSURE HOLDER R ASSY		
28-1	LE9291001	1	PRESSURE HOLDER FILM		
29	LE9100001	2	PAPER PRESSURE HOLDER M ASSY		
29-1	LE9291001	2	PRESSURE HOLDER FILM		
29-2	LE9430001	4	PRESSURE HOLDER FILM M2		
30	LE6090001	4	PRESSURE ROLLER SPRING		
31	LE9102001	1	PAPER FEED ROLLER ASSY		
32	LE9107001	1	CRESCENT RING, C14		
33	LE9266001	1	PF ROLLER GEAR R		
34	LE6121001	1	CRESCENT RING, C14		
35	LE9109001	1	WASHER, 15.1X21		
36	LE9286001	1	PAPER EJECTION ROLLER ASSY		
37	UF8097001	1	BUSHING		
38	048060345	1	RETAINING RING, E2		
39	LE9114001	1	PAPER FEED MOTOR		
40	LE9653001	1	PF ROLLER PULLEY FLANGE ASSY		chg
41	LE9117001	1	EJECTION PULLEY PULLEY		
42	LE9118001	1	PF TIMING BELT L		
43	LE9119001	1	PF TIMING BELT S		
44	LE9121001	1	TENSION PLATE R		
45	LE9125001	2	TENSION SPRING		
46	LE9126001	1	TENSION PLATE F		
47	LE9128001	2	SENSOR ACTUATOR		
48	LE9129001	2	ACTUATOR SPRING		
49	LE9242001	1	PAPER CHUTE ASSY		
50	LE9131001	1	PURGE UNIT	√	
50-1	LG3839001	1	PURGE SWITCH HARNESS		
50-2	LE9134001	1	PURGE FOAM		
51	LE9235001	1	MAINTENANCE FOAM		
52	LE9135001	1	MAINTENANCE STOPPER		
53	LE9166001	4	RUBBER BUSHING		
54	LG7430001	1	DRIVER PCB ASSY	√	CHG
55	LE9179001	1	HARNES HOLDER FILM		
56	085411216	4	TAPTITE, BIND B M4X12		
57	LE9167001	4	PLAIN WASHER		
58	LG4043001	1	FLAT CORE:24.5-20		



LIST4(HEAD UNIT)

REF.No.	CODE	Q'TY	DESCRIPTION	RECOMMEND	REMARKS
1	LK0799001	1	PRINT HEAD UNIT (SP)		
1-1	LK0800001	1	HEAD NOZZLE SEAL ASSY(SP)		
1-2	LK0536001	1	HEAD FILTER SEAL(SP)	√	

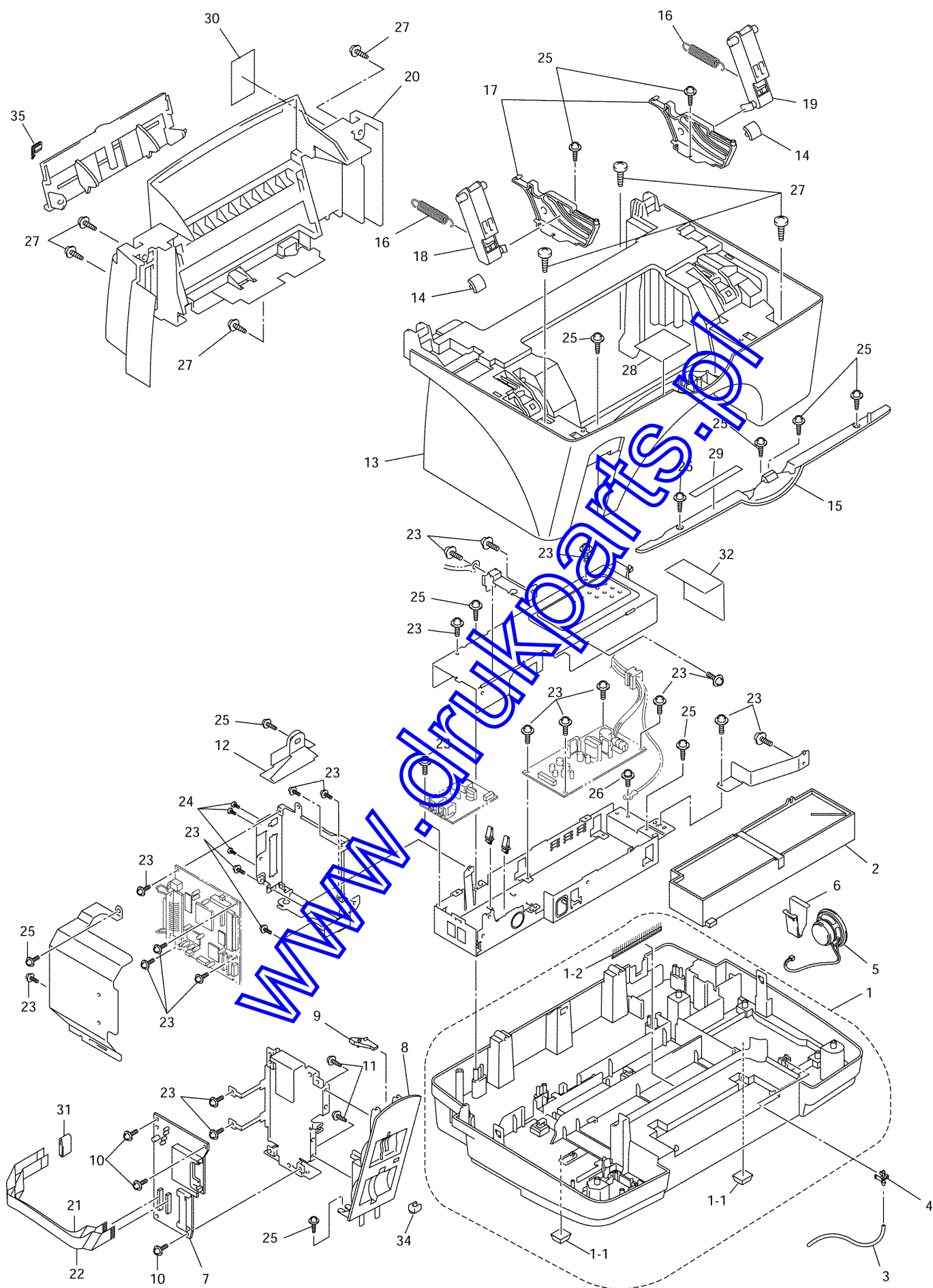
www.drukparts.pl



LIST5(ASF)

REF.No	CODE	QTY	DESCRIPTION	RECOMMEND	REMARKS
1	LE9136001	1	ASF BASE ASSY		
1-1	LE6332001	1	SIDE GUIDE L, GRAY(1495)		
1-2	LE6333001	1	SIDE GUIDE R, GRAY(1495)		
1-3	LE6137001	1	BASE PAD		
1-4	LE9267001	1	SEPARATION PAD ASSY		
1-5	LE9232001	4	FLAP SPRING		
1-6	LE9233001	2	FLAP HOLDER, GRAY(1495)		
1-7	UF8097001	1	BUSHING		
1-8	UF0026001	1	PAWLED BUSHING		
1-9	LE9160001	1	ASF ROLLER ASSY, PURPLE(6255)		
1-9-1	LE3432001	1	ASF ROLLER		
1-9-1-1	LE3267001	1	ASF ROLLER CORE		
1-10	LE9312001	1	JAM MARK LABEL		
1-11	LE9253001	1	ASF SHAFT		
1-12	LG4167001	1	MANUAL FEED SLOT COVER SENSOR HARNESS		
1-13	085311015	2	SCREW, BND B TITE 3X10		
1-14	LE9161001	1	PCB COVER, GRAY(1495)		
1-15	087310815	1	TAPTITE, CUP B M3X8		
1-16	LE9304001	2	FLAP FILM		
1-17	LE9189001	1	MANUAL FEED SLOT COVER ASSY, PURPLE(6255)		
2	087320616	5	TAPTITE, CUP S M3X6		

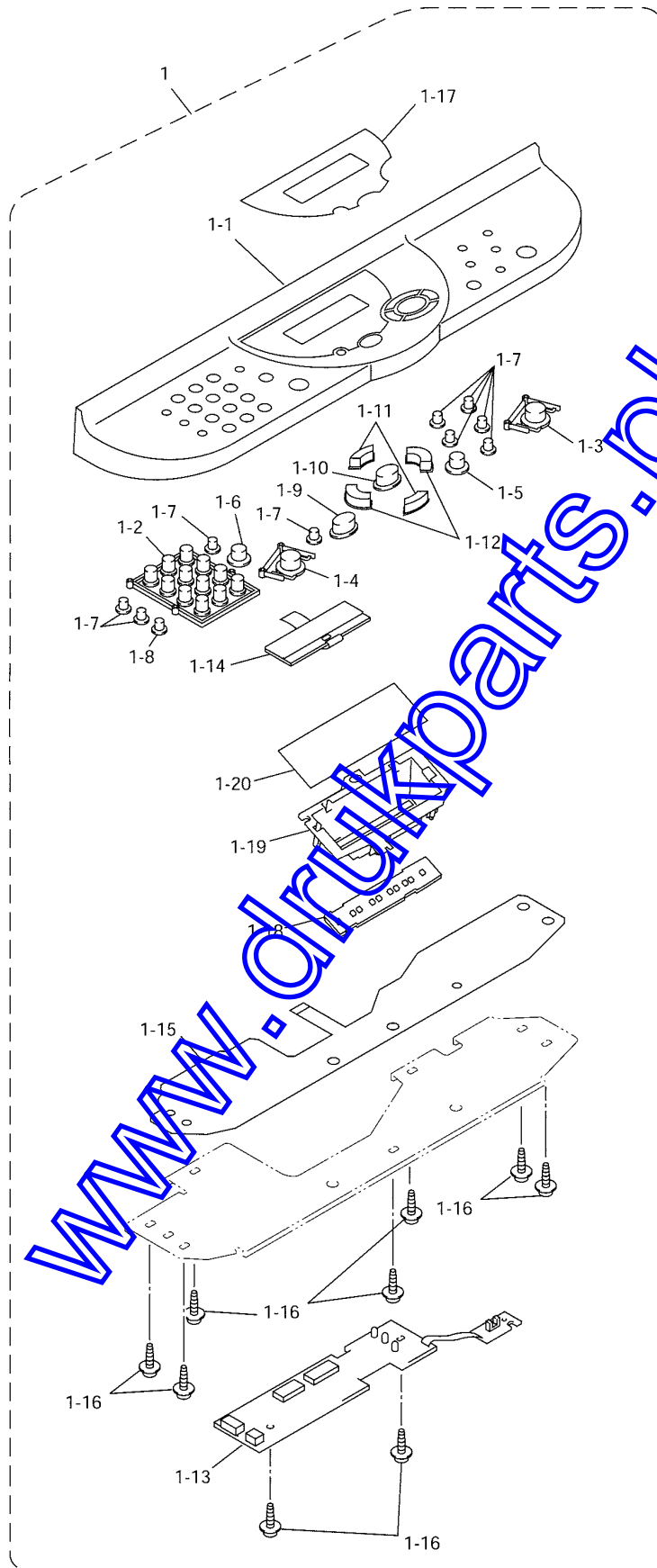
www.drukparts.pl



LIST6(COVER)

REF.No	CODE	Q'TY	DESCRIPTION	RECOMMEND	REMARKS
1	LE9219001	1	LOWER COVER ASSY , PURPLE(6255)		
1-1	UD4019001	2	RUBBER FOOT		
1-2	LE6568001	1	ANTI-STATIC BRUSH		
2	LE9247001	1	INK ABSORBER BOX ASSY		
3	LE9164001	1	EXTENSION TUBE		
4	LE9165001	1	DRAIN TUBE JOINT		
5	LG3845001	1	SPEAKER		
6	UF9847001	1	SPEAKER SPRING		
7	LG4416001	1	MEDIA PCB ASSY	√	
8	LE9174001	1	MEDIA COVER, PURPLE(6255)		
9	LE3439001	1	LENS		
10	087320616	3	TAPTITE, CUP S M3X6		
11	087311016	2	TAPTITE, CUP B M3X10		
12	LE9178001	1	CCD FLAT CABLE GUIDE FILM		
13	LE9182001	1	MAIN COVER, GRAY(1495)		
14	LE9184001	2	SUPPORT CHIP		
15	LE9187001	1	EDGE COVER, GRAY(1495)		
16	LE6282001	2	SCANNER LINK SPRING		
17	LE6283001	2	SCANNER LINK GUIDE		
18	LE6284001	1	SCANNER LINK L		
19	LE6285001	1	SCANNER LINK R		
20	LE9271001	1	REAR COVER ASSY, GRAY(1495)		
21	LE9305001	1	MEDIA FLAT CABLE ASSY(22P)		
22	LE9306001	1	MEDIA FLAT CABLE ASSY(21P)		
23	087320616	23	TAPTITE, CUP S M3X6		
24	002300616	3	SCREW, PAN M3X6		
25	087311016	12	TAPTITE, CUP B M3X10		
26	UF6559001	1	SCREW, PAN (WASHER) M4X8DB		
27	085411216	7	TAPTITE, BIND B M4X12		
28	LE9193001	1	INK REPLACE INSTRUCTION LABEL		
29	LE6649001	1	CONSUMPTION LABEL EXCEPT FOR ARL/NZ/ASA		
29	LE6530001	1	CONSUMPTION LABEL FOR ARL/NZ/ASA		
30	LE9289001	1	MANUAL SLOT LABEL		
31	UG5577000	1	FLAT CORE :33.5-20		
32	LE9310001	1	PS PROTECT FILM		
(33)	UU0456001	1	PROTECTION PAPER		
34	UF5745000	1	MJ COVER, EXT FOR GER/UK/FRA/BEL/DEN/AUS/CA		CHG
35	LE9365001	1	MANUAL GUIDE STOPPER		

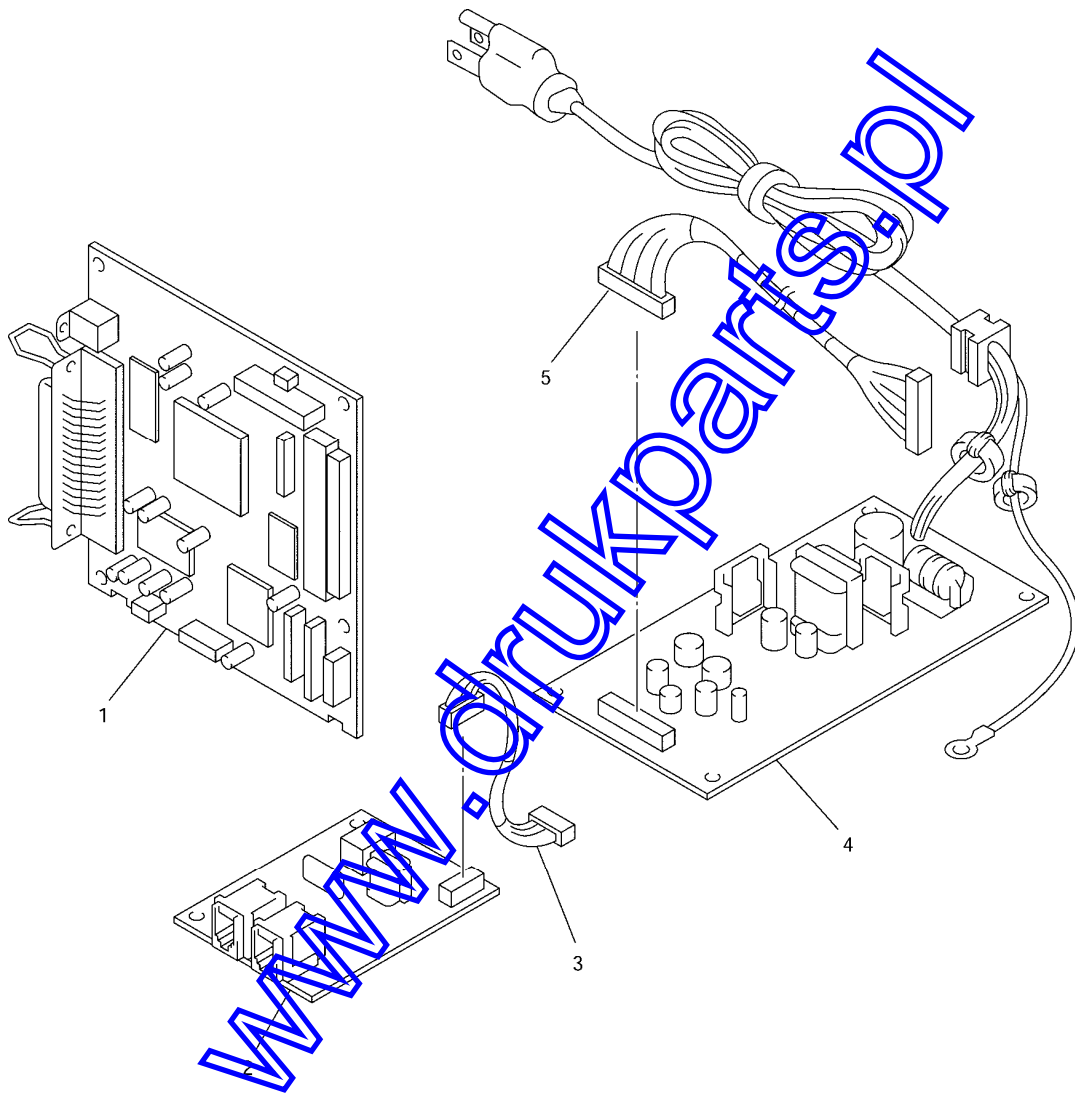
www.druckparts.pl



LIST7(PANEL)

REF.No	CODE	Q'TY	DESCRIPTION	RECOMMEND	REMARKS
1	LE9319001	1	PANEL COVER ASSY (SP) , MFC890 FOR GER/AUS	√	
1	LE9223001	1	PANEL COVER ASSY (SP) , MFC890 FOR UK/BEL/CHE/IRE/GNR	√	
1	LE9344001	1	PANEL COVER ASSY (SP) , MFC890 FOR FRA	√	
1	LE9386001	1	PANEL COVER ASSY (SP) , MFC890 FOR NLD	√	
1	LE9398001	1	PANEL COVER ASSY (SP) , MFC890 FOR DEN/NOR/FIN/SWE	√	
1	LE9405001	1	PANEL COVER ASSY (SP) , MFC890 FOR SPA	√	
1	LE9410001	1	PANEL COVER ASSY (SP) , MFC890 FOR ITA	√	
1	LE9526001	1	PANEL COVER ASSY, MFC5200C FOR ARL/NZ/ASA	√	
1-1	LE9320001	1	CONTROL PANEL ASSY , MFC890 FOR GER/AUS		
1-1	LE9224001	1	CONTROL PANEL ASSY , MFC890 FOR UK/BEL/CHE/IRE/GNR		
1-1	LE9345001	1	CONTROL PANEL ASSY , MFC890 FOR FRA		
1-1	LE9387001	1	CONTROL PANEL ASSY , MFC890 FOR NLD		
1-1	LE9399001	1	CONTROL PANEL ASSY , MFC890 FOR DEN/NOR/FIN/SWE		
1-1	LE9406001	1	CONTROL PANEL ASSY , MFC890 FOR SPA		
1-1	LE9411001	1	CONTROL PANEL ASSY , MFC890 FOR ITA		
1-1	LE9527001	1	CONTROL PANEL ASSY , MFC5200C FOR ARL/NZ/ASA		
1-2	LE3431001	1	KEY, TEN, GRAY(1495)		
1-3	LE9228001	1	KEY, CYLINDER 13, GREEN(5159)		
1-4	LE9228004	1	KEY, CYLINDER 13, PURPLE(6255)		
1-5	LE6171005	1	KEY, CYLINDER9.5, GRAY(1496)		
1-6	LE6171001	1	KEY, CYLINDER9.5, GRAY(1495)		
1-7	LE3295001	9	KEY, CYLINDER 6, GRAY(1495)		
1-8	LE3295003	1	KEY, CYLINDER 6, GRAY(1496)		
1-9	LE6350001	1	KEY, OVAL, GRAY(1495) GER/AUS		
1-9	LE6170002	1	KEY, OVAL, PINK(2205) EXCEPT FOR GER/AUS		
1-10	LE6350001	1	KEY, PRINTED OVAL, GRAY(1495) FOR GER/AUS		
1-10	LE6079001	1	KEY, PRINTED OVAL, GRAY(1495) EXCEPT FOR		
1-11	LE6168001	2	KEY, CURSOR L, PURPLE(6255)		
1-12	LE6169001	2	KEY, CURSOR S, PURPLE(6255)		
1-13	LG4191001	1	CONTROL PANEL PCB ASSY, MFC890		
1-13	LG4193001	1	CONTROL PANEL PCB ASSY, MFC5200C		
1-14	LJ8529001	1	LCD, MFC890		
1-14	UG4552000	1	LCD, MFC5200C		
1-15	LG5639001	1	FPC KEY		CHG
1-16	087310615	9	TAPTITE , CUP B M3X6		
1-17	LE9225001	1	LCD SHEET, MFC890	√	
1-17	LE9522001	1	LCD SHEET, MFC5200C	√	
1-18	LG3446001	1	BACK LIGHT PCB ASSY, MFC890	√	
1-19	LE7353001	1	BACK LIGHT HOLDER, MFC890	√	
1-20	LE7354001	1	BACK LIGHT FILM, MFC890	√	

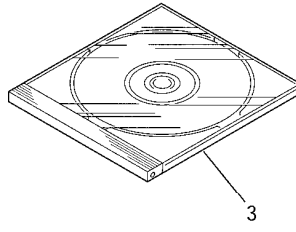
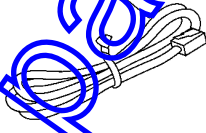
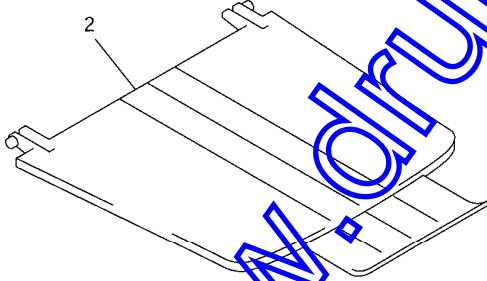
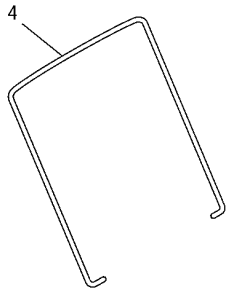
www.druckparts.pl



LIST8(PCB)

REF.No	CODE	Q'TY	DESCRIPTION	RECOMMEND	REMARKS
1	LG3966021	1	MAIN PCB ASSY, MFC890, MFC5200C FOR ARL/NZ	√	
1	LG3966023	1	MAIN PCB ASSY, MFC5200C FOR ASA	√	
2	LG4207063	1	NCU PCB ASSY, MFC890	√	
2	LG3689066	1	NCU PCB ASSY, MFC5200C	√	
3	LG3884001	1	NCU MAIN HARNESS, MFC890		
3	LG3884003	1	NCU MAIN HARNESS, MFC5200C FOR ARL/NZ		
3	LG3884002	1	NCU MAIN HARNESS, MFC5200C FOR ASA		
4	LG3882001	1	POWER SUPPLY UNIT, MFC890, MFC5200C FOR ARL/NZ	√	
4	LG4330001	1	POWER SUPPLY UNIT, MFC5200C FOR ASA	√	
5	LG3875001	1	POWER SUPPLY HARNESS		

www.drukparts.pl



www.drukparts.pl

LIST9(Accessories)

REF.No	CODE	Q'TY	DESCRIPTION	RECOMMEND	REMARKS
1	UG3625001	1	TELEPHONE LINE CORD FOR GER		
1	UG3626001	1	TELEPHONE LINE CORD FOR UK		
1	UG3627001	1	TELEPHONE LINE CORD FOR FRA		
1	UG1575001	1	TELEPHONE LINE CORD FOR BEL		
1	LG3077001	1	TELEPHONE LINE CORD FOR NLD/IRE/SPA/ASA/ARL/NZ/GNR		
1	UG3469000	1	TELEPHONE LINE CORD FOR CHE		
1	LG5827001	1	TELEPHONE LINE CORD FOR DEN/NOR/FIN/SWE		CHG
1	UG4205001	1	TELEPHONE LINE CORD FOR AUS		
1	UG3634001	1	TELEPHONE LINE CORD FOR ITA		
1	UG3629004	4	TELEPHONE LINE CORD NOR FOR NOR/FIN/SWE		DEL
1	UG3635004	4	TELEPHONE LINE CORD SWE FOR NOR/FIN/SWE		DEL
1	UG3632004	4	TELEPHONE LINE CORD FIN FOR NOR/FIN/SWE		DEL
1	UG3290001	1	TELEPHONE LINE CORD FIN FOR ASA/ARL/NZ		
2	LE6398002	1	OUTPUT PAPER SUPPORT ASSY, PURPLE(6255)		
3	LE9321004	4	CD-ROM ASSY FOR GER/UK/FRA/IRE/AUS		del
3	LE9385001	1	CD-ROM ASSY FOR BEL/NLD/GNR/NOR/FIN/SWE		
3	LE9391001	1	CD-ROM ASSY FOR CHE/GER/UK/FRA/IRE/AUS		chg
3	LE9419001	1	CD-ROM ASSY FOR DEN/NOR/FIN/SWE		
3	LE9400001	1	CD-ROM ASSY FOR SPA/ITA		
3	LE9524001	1	CD-ROM ASSY FOR ASA/ARL/NZ		
4	LE6821001	1	INPUT PAPER SUPPORT		
(5)	ZA0310001	1	HEAD CLEANER STICK ASSY	√	
(6)	LK0504001	1	GLYCEROL CLEAN FLUID	√	
(7)	UF8263001	1	TEST CHART-027	√	
(8)	UF9258001	1	COLOR TEST CHART CTC-001	√	
(9)	UF4600001	1	CONTRAST CHART TC-023	√	
(10)	LE0019001	1	FERRITE CORE BAG ASSY	√	
(11)	LE6455001	1	FORM EMPTY CARTRIDGE UNIT	√	
(12)	LG2085001	1	AC CORD BAG ASSY FOR GER/FRA/BEL/NLD/AUS/SPA/ITA/GNR/SWE/FIN/ASA	√	
(12)	LG2086001	1	AC CORD BAG ASSY FOR UK/IRE/ASA	√	
(12)	LG2087001	1	AC CORD BAG ASSY FOR CHE	√	
(12)	LG2181001	1	AC CORD BAG ASSY FOR DEN	√	
(12)	LJ9667001	1	AC CORD BAG ASSY FOR ARL/NZ	√	chg
(13)	LG3622001	1	TELEPHONE PLUG FOR NLD		
(13)	LG5828001	1	TELEPHONE PLUG FOR DEN		ADD
(13)	LG5829001	1	TELEPHONE PLUG FOR FIN		ADD
(13)	LG5830001	1	TELEPHONE PLUG FOR SWE		ADD
(13)	LG3509001	1	TELEPHONE PLUG FOR ARL		
(13)	LG4566004	4	TELEPHONE PLUG FOR DEN		del
(14)	LN2395001	1	USB I/F CABLE FOR GER/UK/BEL/IRE/AUS/ASA/ARL/NZ/GNR		chg
(15)	UG3468000	1	BT-MJ ADAPTER FOR ASA		
(16)	LK0505001	1	INITIAL LIQUID CARTRIDGE ASSY (SP)	√	add

www.drukparts.nl

LIST10(PRINTED MATERIAL)

REF.No	CODE	Q'TY	DESCRIPTION	RECOMMEND	REMARKS
(1)	LF4449003	1	USER'S GUIDE ASSY, MFC890 FOR GER (INCLUDING USER'S GUIDE, WARRANTY CARD, INPUT PAPER SUPPORT, 3YR GUARANTEE CARD)	√	add
(1)	LE9322014	1	USER'S GUIDE ASSY, MFC890 FOR AUS (INCLUDING USER'S GUIDE, WARRANTY CARD, INPUT PAPER SUPPORT)	√	CHG
(1)	LE9339004	1	USER'S GUIDE ASSY, MFC890 FOR UK (INCLUDING USER'S GUIDE, 3 WARRANTY CARDS, INPUT PAPER SUPPORT)	√	
(1)	LE9343005	1	USER'S GUIDE ASSY, MFC890 FOR FRA (INCLUDING USER'S GUIDE, 2 WARRANTY CARDS, INPUT PAPER SUPPORT)	√	
(1)	LE9383008	1	USER'S GUIDE ASSY, MFC890 FOR BEL (INCLUDING 2 USER'S GUIDES, WARRANTY CARD, INPUT PAPER SUPPORT)	√	
(1)	LE9388009	1	USER'S GUIDE ASSY, MFC890 FOR NLD (INCLUDING USER'S GUIDE, WARRANTY CARD, INPUT PAPER SUPPORT)	√	
(1)	LE9392010	1	USER'S GUIDE ASSY, MFC890 FOR CHE (INCLUDING 2 USER'S GUIDES, WARRANTY CARD, INPUT PAPER SUPPORT)	√	
(1)	LE9396011	1	USER'S GUIDE ASSY, MFC890 FOR IRE/NOR/FIN/SWE (INCLUDING USER'S GUIDE, WARRANTY CARD, INPUT PAPER SUPPORT)	√	
(1)	LE9401013	1	USER'S GUIDE ASSY, MFC890 FOR DEN (INCLUDING USER'S GUIDE, WARRANTY CARD, INPUT PAPER SUPPORT)	√	
(1)	LE9407015	1	USER'S GUIDE ASSY, MFC890 FOR SPA (INCLUDING USER'S GUIDE, 2 WARRANTY CARDS, INPUT PAPER SUPPORT)	√	
(1)	LE9412016	1	USER'S GUIDE ASSY, MFC890 FOR ITA (INCLUDING USER'S GUIDE, WARRANTY CARD, INPUT PAPER SUPPORT)	√	
(1)	LE9415054	1	USER'S GUIDE ASSY, MFC890 FOR GNR (INCLUDING USER'S GUIDE, INPUT PAPER SUPPORT)	√	
(1)	LE9519001	1	USER'S GUIDE ASSY, MFC5200C FOR ASA/ARL/NZ (INCLUDING USER'S GUIDE, INPUT PAPER SUPPORT)	√	
(1-1)	LE9323003	1	USER'S GUIDE, MFC890 FOR GER/AUS		
(1-1)	LE9323004	1	USER'S GUIDE, MFC890 FOR UK/IRE/GNR/NOR/FIN/SWE		
(1-1)	LE9323005	1	USER'S GUIDE, MFC890 FOR FRA		
(1-1)	LE9323008	1	USER'S GUIDE, MFC890 FOR BEL<DUTCH>		
(1-1)	LE9395008	1	USER'S GUIDE, MFC890 FOR BEL/CHE<FRENCH>		
(1-1)	LE9323009	1	USER'S GUIDE, MFC890 FOR NLD		
(1-1)	LE9323010	1	USER'S GUIDE, MFC890 FOR CHE<GERMAN>		
(1-1)	LE9323013	1	USER'S GUIDE, MFC890 FOR DEN		
(1-1)	LE9323015	1	USER'S GUIDE, MFC890 FOR SPA		
(1-1)	LE9323016	1	USER'S GUIDE, MFC890 FOR ITA		
(1-1)	LE9520001	1	USER'S GUIDE, MFC5200C FOR ASA/ARL/NZ		

www.starkparts.com

LIST11(PACKAGING)

REF.No	CODE	Q'TY	DESCRIPTION	RECOMMEND	REMARKS
(1)	LE9440001	1	CARTON, BROTHER, MFC890 FOR GER	√	
(1)	LE9442001	1	CARTON, BROTHER, MFC890 FOR UK	√	
(1)	LE9444001	1	CARTON, BROTHER, MFC890 FOR FRA	√	
(1)	LE9325001	1	CARTON, BROTHER, MFC890 FOR BEL/NLD/CHE/IRE/DEN/AUS/SPA/ITA/NOR/FIN/SWE	√	
(1)	LE9528001	1	CARTON, BROTHER, MFC890 FOR ASA/ARL/NZ	√	
(2)	LE9212001	1	POLYSTYRENE FOAM ASSY		
(3)	LE6625001	1	SHEET, 400X450		
(4)	LJ0763001	1	BAG, 1000X1000H		
(5)	LE6317001	1	CARTON FOR MANUAL		
(6)	LE9324001	1	QUICK SETUP GUIDE FOR GER/AUS		
(6)	LE9338001	1	QUICK SETUP GUIDE FOR UK/IRE		
(6)	LE9342001	1	QUICK SETUP GUIDE FOR FRA		
(6)	LE9381001	1	QUICK SETUP GUIDE FOR BEL<DUTCH>		
(6)	LE9382001	1	QUICK SETUP GUIDE FOR BEL/CHE<FRENCH>		
(6)	LE9390001	1	QUICK SETUP GUIDE FOR NLD		
(6)	LE9394001	1	QUICK SETUP GUIDE FOR CHE<GERMAN>		
(6)	LE9403001	1	QUICK SETUP GUIDE FOR DEN		
(6)	LE9409001	1	QUICK SETUP GUIDE FOR SPA		
(6)	LE9414001	1	QUICK SETUP GUIDE FOR ITA		
(6)	LE9417001	1	QUICK SETUP GUIDE FOR GNR		
(6)	LE9420001	1	QUICK SETUP GUIDE FOR NOR/FIN/SWE <ENGLISH>		
(6)	LE9424001	1	QUICK SETUP GUIDE FOR NOR/FIN/SWE <DANISH>		
(6)	LE9421001	1	QUICK SETUP GUIDE FOR NOR/FIN/SWE <NORWEGIAN>		
(6)	LE9422001	1	QUICK SETUP GUIDE FOR NOR/FIN/SWE <SWEDISH>		
(6)	LE9423001	1	QUICK SETUP GUIDE FOR NOR/FIN/SWE <FINNISH>		
(6)	LE9523001	1	QUICK SETUP GUIDE FOR ASA/ARL/NZ		
(7)	LE9216001	1	CARRIAGE STOPPER		
(8)	LE9352001	1	WIPER STOPPER ASSY		

www.drukparts.nl

brother®

www.drukparts.pl

8CA533
PL-FAX040
Ver. P-1