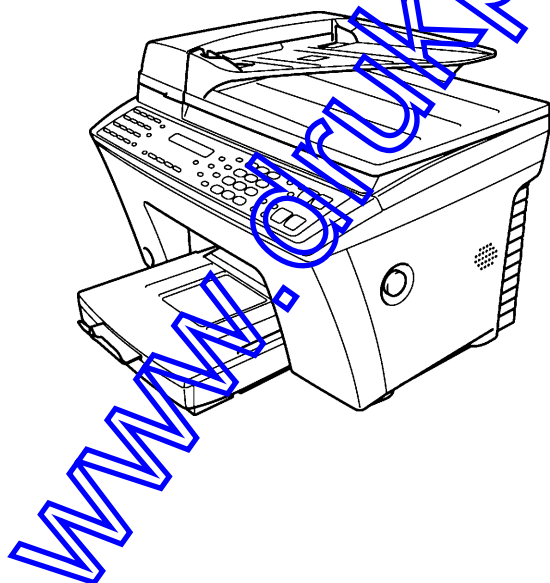


# brother®

## FACSIMILE EQUIPMENT PARTS REFERENCE LIST

**MODEL: MFC760**

(For Germany / United Kingdom  
/ France / Norway / Belgium  
/ Netherlands / Switzerland  
/ Denmark / Spain / Italy  
/ Sweden /)



[www.drukparts.pl](http://www.drukparts.pl)

© Copyright Brother 1999

All rights reserved

No part of this publication may be reproduced in any form or by any means without permission in writing from the publisher.

Specifications are subject to change without prior notice.

## NOTES FOR USING THIS PARTS REFERENCE LIST

1. In the case of ordering parts, it needs mentioning the following items:

- (1) Code
- (2) Q' ty
- (3) Description

Note: No orders without Parts Code or Tool No. can be accepted.

[Example]

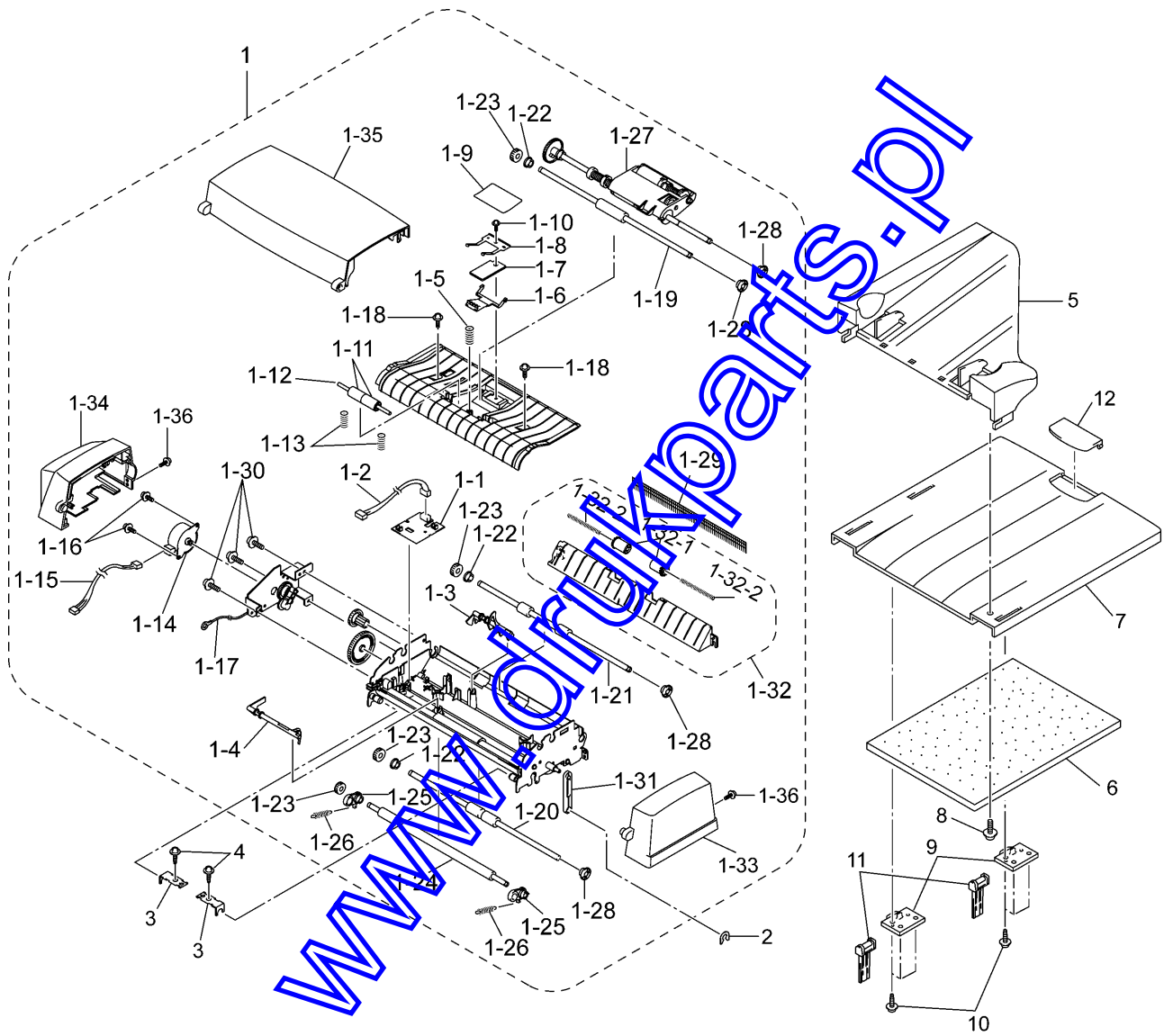
REF.NO.	CODE	Q' TY	DESCRIPTION	REMARKS

2. Parts change will be informed by the technical information

### COUNTRIES

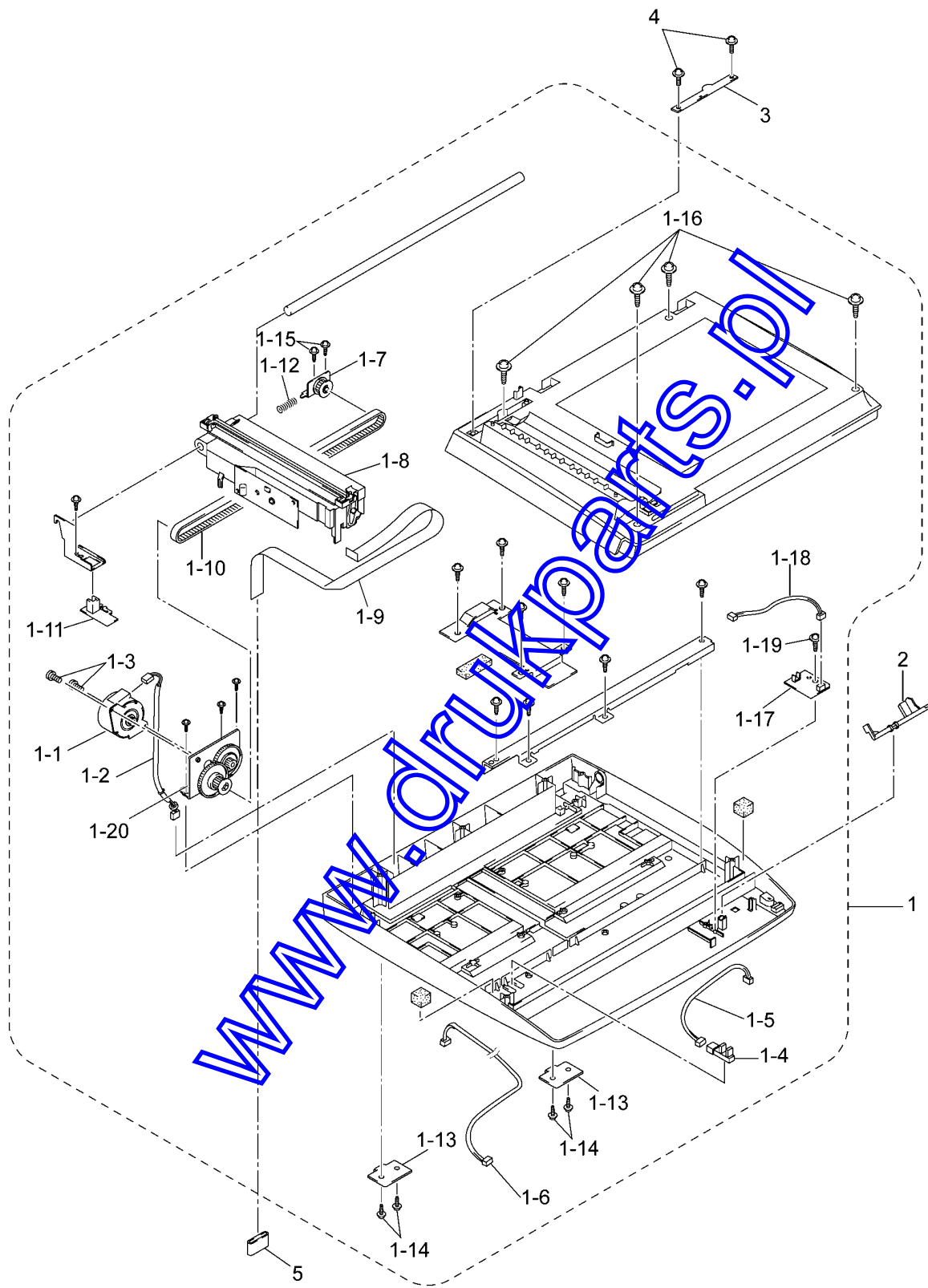
- Germany ----- GER
- United Kingdom ----- UK
- France ----- FRA
- Norway ----- NOR
- Belgium ----- BEL
- Netherlands ----- NLD
- Switzerland ----- CHE
- Denmark ----- DEN
- Spain ----- SPA
- Italy ----- ITA
- Sweden ----- SWE

[www.drukparts.pl](http://www.drukparts.pl)



## List1(ADF&amp;TRAY)

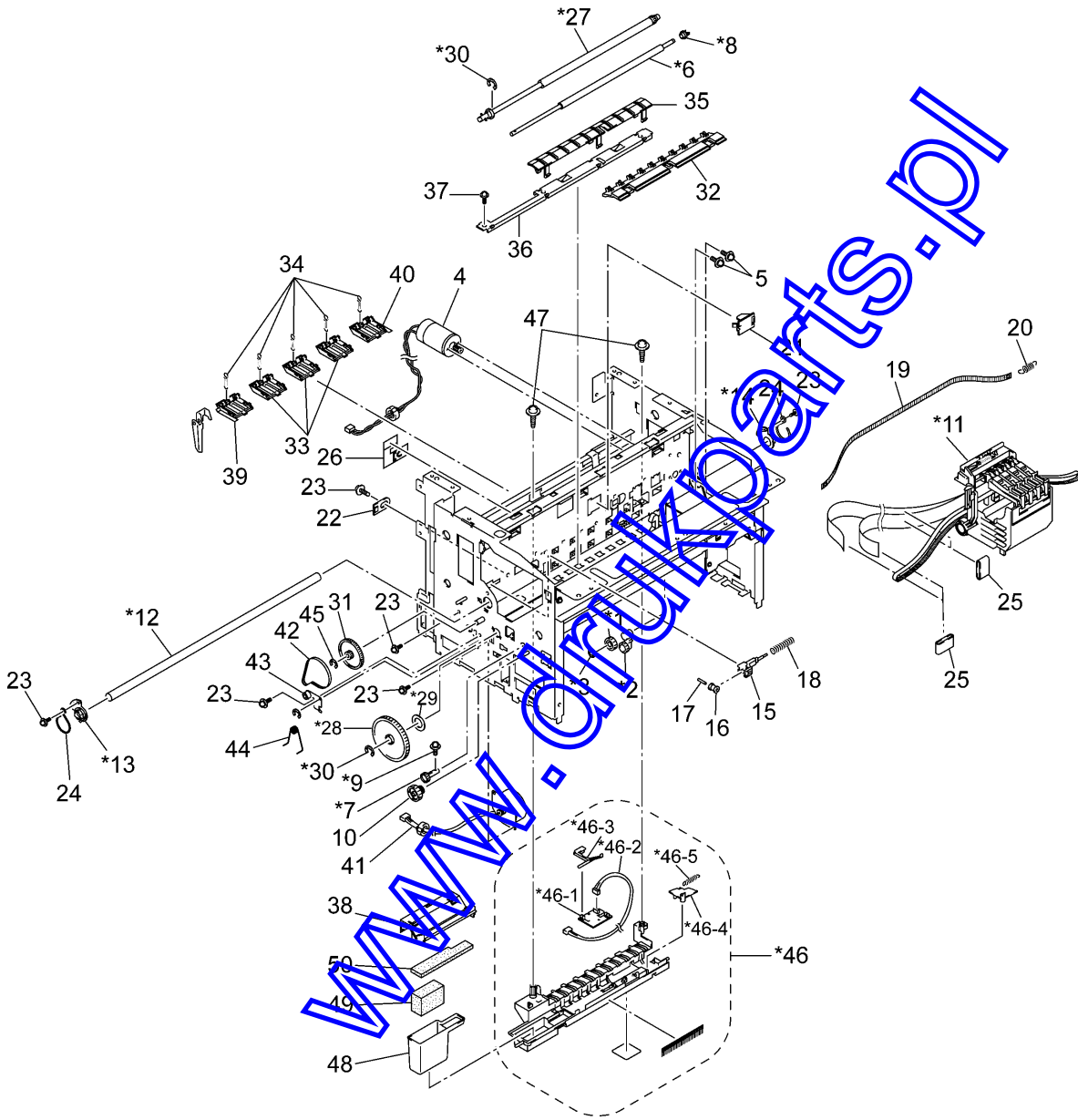
REF.NO.	CODE	Q'TY	DESCRIPTION	REMARKS
1	LE2005001	1	ADF UNIT	
1-1	UG6609001	1	DOCUMENT SENSOR PCB	
1-2	LG2014001	1	DOCUMENT SENSOR HARNESS	
1-3	UF7026001	1	DOCUMENT FRONT SENSOR ACTUATOR	
1-4	LE2008001	1	DOCUMENT REAR SENSOR ACTUATOR	
1-5	LE2011001	1	COMPRESSION SPRING	
1-6	LE2551001	1	RUBBER HOLDER A	
1-7	UU2055001	1	SEPARATION RUBBER	
1-8	LE2550001	1	SPRING PLATE A	
1-9	LE2470001	1	ADF FILM	
1-10	UF6116001	1	TAPTITE, PAN B M3X6	
1-11	UF9009001	2	PRESSURE ROLLER	
1-12	LE2471001	1	PRESSURE ROLLER SHAFT	
1-13	LE2472001	2	PRESSURE ROLLER SPRING	
1-14	LE2566001	1	ADF MOTOR	
1-15	LG2015001	1	ADF MOTOR HARNESS	
1-16	0A4300605	2	SCREW, PAN (S/P WASHER) M3X6	
1-17	LG2016001	1	GROUNDING WIRE	
1-18	087310815	2	TAPTITE, CUP B M3X8	
1-19	LE2026001	1	UPPER LF ROLLER (GRAY)	
1-20	LE2029001	1	LOWER LF ROLLER (BLACK)	
1-21	LE2028001	1	DOCUMENT EJECTION ROLLER	
1-22	UF8105001	3	CONDUCTIVE BUSHING	
1-23	UU7039001	4	LF ROLLER GEAR 27	
1-24	LE2030001	1	WHITE ROLLER	
1-25	LE2032001	2	WHITE ROLLER BUSHING	
1-26	LE2033001	2	EXTENSION SPRING	
1-27	LE2919001	1	DOCUMENT FEED ROLLER HOLDER ASSY	
(1-27-1)	LE2037001	2	DOCUMENT FEED ROLLER (RUBBER)	
1-28	UU1290001	4	CONDUCTIVE BUSHING	
1-29	UU7505001	1	ANTI-STATIC BRUSH	
1-30	087320616	3	TAPTITE, CUP S M3X6	
1-31	UF0208001	1	ADF ARM	
1-32	LE2048001	1	DOCUMENT EJECTION CHUTE ASSY	
1-32-1	LE2582001	2	PINCH ROLLER	
1-32-2	UU2009001	2	PINCH ROLLER SPRING	
1-33	LE2050001	1	ADF SIDE COVER F, WHITE(1495)	
1-34	LE2051001	1	ADF SIDE COVER R, WHITE(1495)	
1-35	LE2534001	1	ADF COVER ASSY, WHITE(1495)	
1-36	087320816	2	TAPTITE, CUP S M3X8	
2	UF8088001	1	PLASTIC RETAINING RING	
3	LE2053001	2	ADF SUPPORT	
4	087310816	2	TAPTITE, CUP B M3X8	
5	LE3426001	1	DOCUMENT CHUTE, WHITE(1495)	
6	LE2487001	1	DOCUMENT SPONGE	
7	LE2056001	1	DOCUMENT TRAY, WHITE(1495)	
8	087320816	1	TAPTITE, CUP S M3X8	
9	LE2567001	2	HINGE A	
10	087311015	6	TAPTITE, CUP B M3X10	
11	LE2568001	2	HINGE HOLDER A	
12	LE2777001	1	DOCUMENT SUPPORT, WHITE(1495)	



## List2(SCANNER UNIT)

REF.NO.	CODE	Q'TY	DESCRIPTION	REMARKS
1	LE2883001	1	SCANNER UNIT SUPPLY ASSY	
1-1	UU7490001	1	CCD MOTOR	
1-2	LG2017001	1	CCD MOTOR HARNESS	
1-3	0A4300605	2	SCREW, PAN (S/P WASHER) M3X6	
1-4	LG2239001	1	CCD HP SENSOR	
1-5	LG2019001	1	CCD HP SENSOR HARNESS	
1-6	LG2025001	1	PANEL-MAIN HARNESS	
1-7	LE2074001	1	CCD IDLE PULLEY HOLDER ASSY	
1-8	LE2884001	1	CCD UNIT SUPPLY ASSY	
1-9	LG2196001	1	CCD FLAT CABLE	
1-10	LE2297001	1	CCD DRIVE BELT	
1-11	LE2082001	1	CCD LOCK	
1-12	LE2079001	1	COMPRESSION SPRING	
1-13	LE2098001	2	HINGE PLATE	
1-14	085411216	4	TAPTITE, BIND B M4X12	
1-15	LE2805001	2	TAPTITE, PAN B M3X10	
1-16	087411216	4	TAPTITE, CUP B M4X12	
1-17	LG2018001	1	COVER SENSOR PCB	
1-18	LG2137001	1	COVER SENSOR HARNESS	
1-19	087310815	1	TAPTITE, CUP B M3X8	
1-20	LE1775001	1	MOTOR BRACKET	
2	LE2095001	1	COVER SENSOR ACTUATOR	
3	LE2092001	1	HARNESS SUPPORT	
4	087310816	2	TAPTITE, CUP B M3X8	
5	LG2020001	1	FLAT CORE (CCD)	

[www.drukparts.pl](http://www.drukparts.pl)

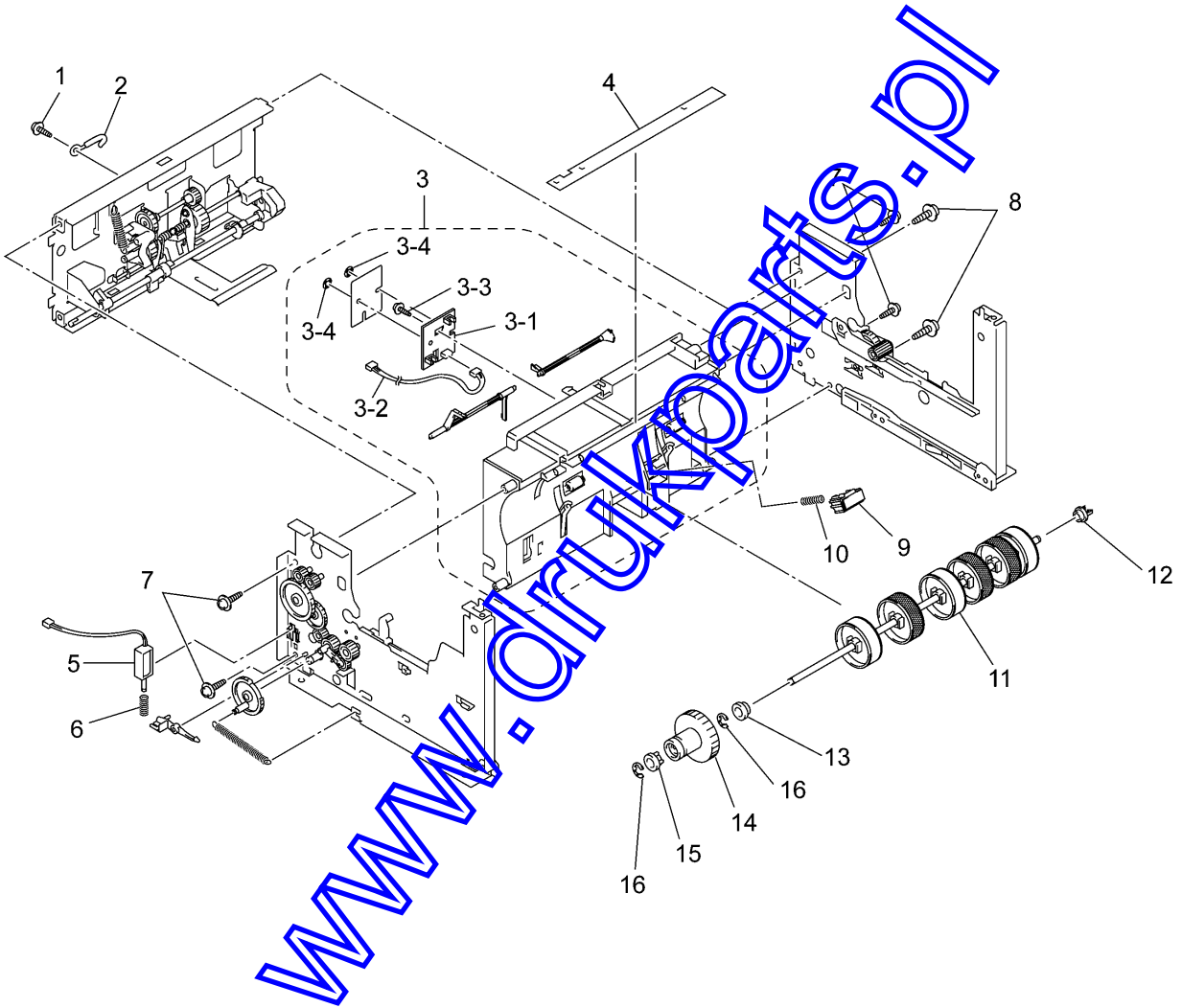




## List3(MAIN CHASIS)

To replace part marked with an asterisk(\*), you need the special adjustment jig set. If your service center has no special adjustment jig set, you cannot handle those parts as spare parts.

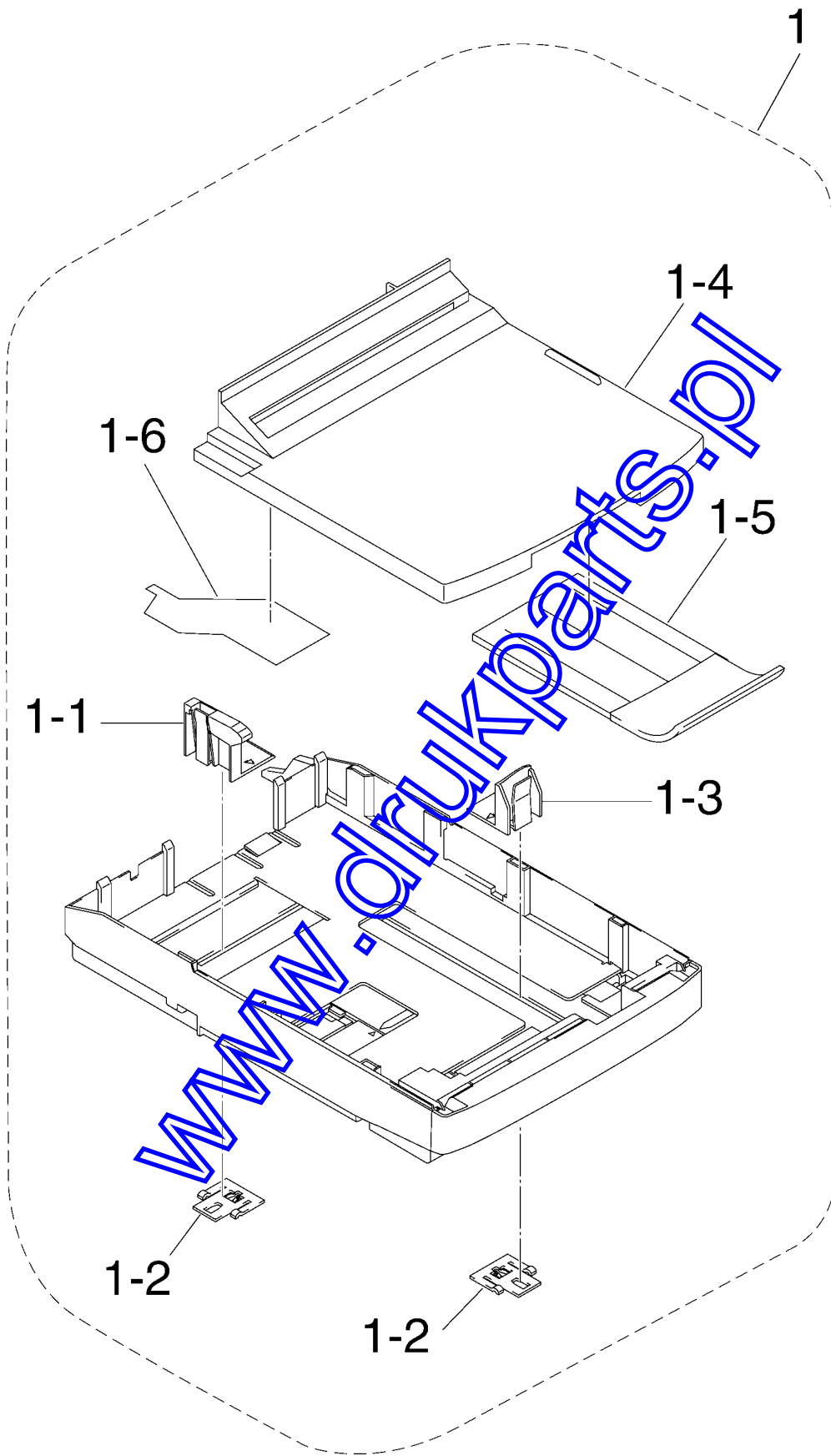
REF.NO.	CODE	Q'TY	DESCRIPTION	REMARKS
*1	LE2110001	1	IDLE GEAR 23	
*2	LE2111001	1	ARM 12.3 ASSY	
*3	048030345	1	RETAINING RING, E3	
4	LE3940001	1	CARRIAGE MOTOR	
5	0A5300605	2	SCREW, PAN (S/P WASHER) M3X6	
*6	UU1047001	1	PAPER EJECTION ROLLER	
*7	UU1049001	1	PAPER EJECTION ROLLER GEAR	
*8	UU1290001	1	CONDUCTIVE BUSHING	
*9	0A5260805	1	TAPTITE, PAN 2.6X8DB	
10	UU1050001	1	IDLE GEAR EJECTION	
*11	LE3079001	1	CARRIAGE ASSY (SUPPLY ASSY INCLUDING CR DRIVE BELT AND FLAT CABLES)	
(1-11-1)	UU1454001	1	CARRIAGE TIMING BELT	
*12	UU1077001	1	CARRIAGE RAIL	
*13	UU1078001	1	ECCENTRIC BUSHING L	
*14	UU1079001	1	ECCENTRIC BUSHING R	
15	UU1081001	1	IDLE PULLEY HOLDER	
16	UD6023000	1	IDLE PULLEY	
17	UD6025001	1	IDLE PULLEY SHAFT	
18	LE0010001	1	TENSION SPRING	
19	UD6014001	1	ENCODER STRIP	
20	UD6012001	1	SPRING, EXTENSION	
21	UU1088001	1	FFC HOLDER	
22	UU1286001	1	IDLE PULLEY STOPPER	
23	0A5300805	6	SCREW, PAN (S/P WASHER) M3X8	
24	UU1476001	2	BUSHING LOCK	
25	UG5569000	2	FLAT CORE	
26	UU1459001	1	CORE SUPPORT	
*27	LE2933001	1	PAPER FEED ROLLER	
*28	UU1094001	1	PAPER FEED ROLLER GEAR L	
*29	UU1092001	1	SPACER	
*30	048080345	2	RETAINING RING, E3	
31	UU1428001	1	IDLE GEAR P720	
32	UU1108001	1	STAR WHEEL HOLDER ASSY	
33	LE2759001	3	PAPER PRESSURE HOLDER ASSY	
34	UU1115001	5	PRESSER ROLLER SPRING	
35	UU1116001	1	PLATEN	
36	UU1117001	1	PLATEN FRAME	
37	087320616	1	TAPTITE, CUP G M3X6	
38	UU1315001	1	FLUSHING FOAM GUTTER	
39	LE2760001	1	PAPER PRESSURE HOLDER L	
40	LE2761001	1	PAPER PRESSURE HOLDER R	
41	LE2479001	1	PAPER FEED MOTOR	
42	UU1446001	1	CR DRIVE BELT	
43	UU1450001	1	TENSION PLATE ASSY	
44	UU1444001	1	SPRING	
45	048040345	1	RETAINING RING, E4	
*46	LE2117001	1	LOWER CHUTE ASSY	
*46-1	UG6609001	1	PAPER EJECTION/CASSETTE SENSOR PCB	
*46-2	LG2021001	1	PAPER EJECTION/CASSETTE SENSOR HARNESS	
*46-3	LE2119001	1	PAPER EJECTION SENSOR ACTUATOR	
*46-4	LE2120001	1	CASSETTE SENSOR ACTUATOR	
*46-5	UD4336001	1	ACTUATOR SPRING	
47	087411015	2	TAPTITE, CUP B M4X10	
48	UU1449001	1	FLUSHING FOAMS PACK	
49	UU1199001	2	LOWER FLUSHING FOAM	
50	UU1200001	1	UPPER FLUSHING FOAM	



## List4(PAPER TRANSPORT)

REF.NO.	CODE	Q'TY	DESCRIPTION	REMARKS
1	087320616	1	TAPTITE, CUP S M3X6	
2	LE2489001	1	CABLE CLIP	
3	LE2157001	1	UPPER PAPER CHUTE ASSY	
3-1	UG6609001	1	PAPER WIDTH/REGISTRATION SENSOR PCB	
3-2	LG2022001	1	PAPER WIDTH/REGISTRATION SENSOR HARNESS	
3-3	087270816	1	TAPTITE, CUP B M2.6X8	
3-4	UF0250000	2	PUSH NUT 3	
4	LE2169001	1	CHUTE FILM	
5	LE2481001	1	SOLENOID	
6	UD4319001	1	SOLENOID SPRING	
7	087320616	4	TAPTITE, CUP S M3X6	
8	087311017	2	TAPTITE, CUP B M3X10	
9	LE2208001	1	SEPARATION PAD HOLDER ASSY	
10	LE2211001	1	SEPARATION PAD SPRING	
11	LE2213001	1	PAPER PICK-UP ROLLER ASSY	
12	UU1290001	1	PAWLED BUSHING	
13	UF8105001	1	CONDUCTIVE BUSHING	
14	LE2220001	1	PAPER PICK-UP ROLLER GEAR ASSY	
15	LE2482001	1	COLLAR STOPPER	
16	048050346	2	RETAINING RING, E5	

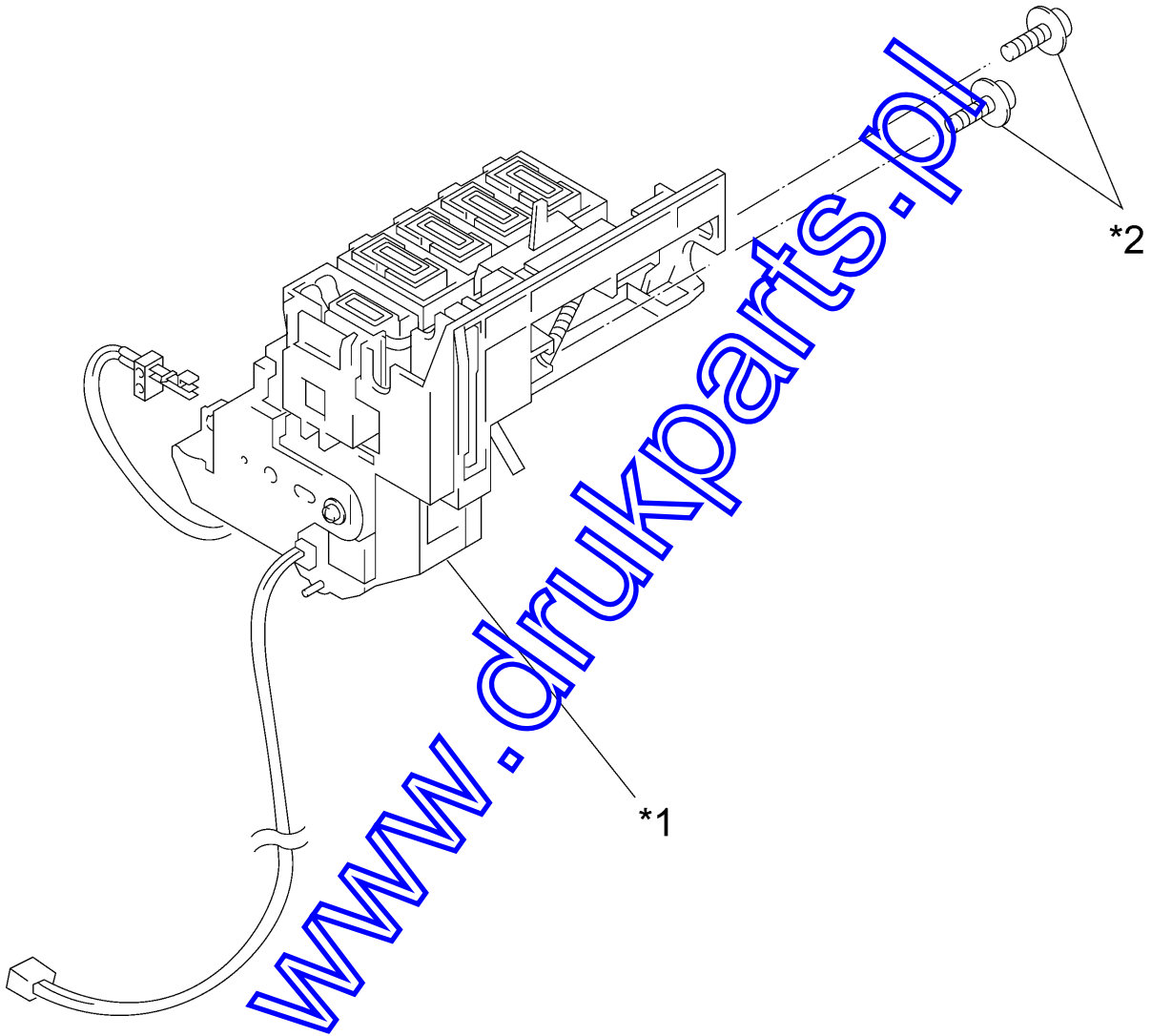
[www.drukparts.pl](http://www.drukparts.pl)



## List5(PAPER CASSETTE)

REF.NO.	CODE	Q'TY	DESCRIPTION	REMARKS
1	LE2228001	1	PAPER CASSETTE ASSY	
1-1	LE2234001	1	SIDE PAPER GUIDE	
1-2	LE2235001	2	GUIDE STOPPER	
1-3	LE2236001	1	FRONT PAPER GUIDE	
1-4	LE2239001	1	CASSETTE COVER	
1-5	LE2856001	1	PAPER EJECT SUB TRAY	ADD
1-6	LE2490001	1	CASSETTE GUIDE FILM	ADD

[www.drukparts.pl](http://www.drukparts.pl)

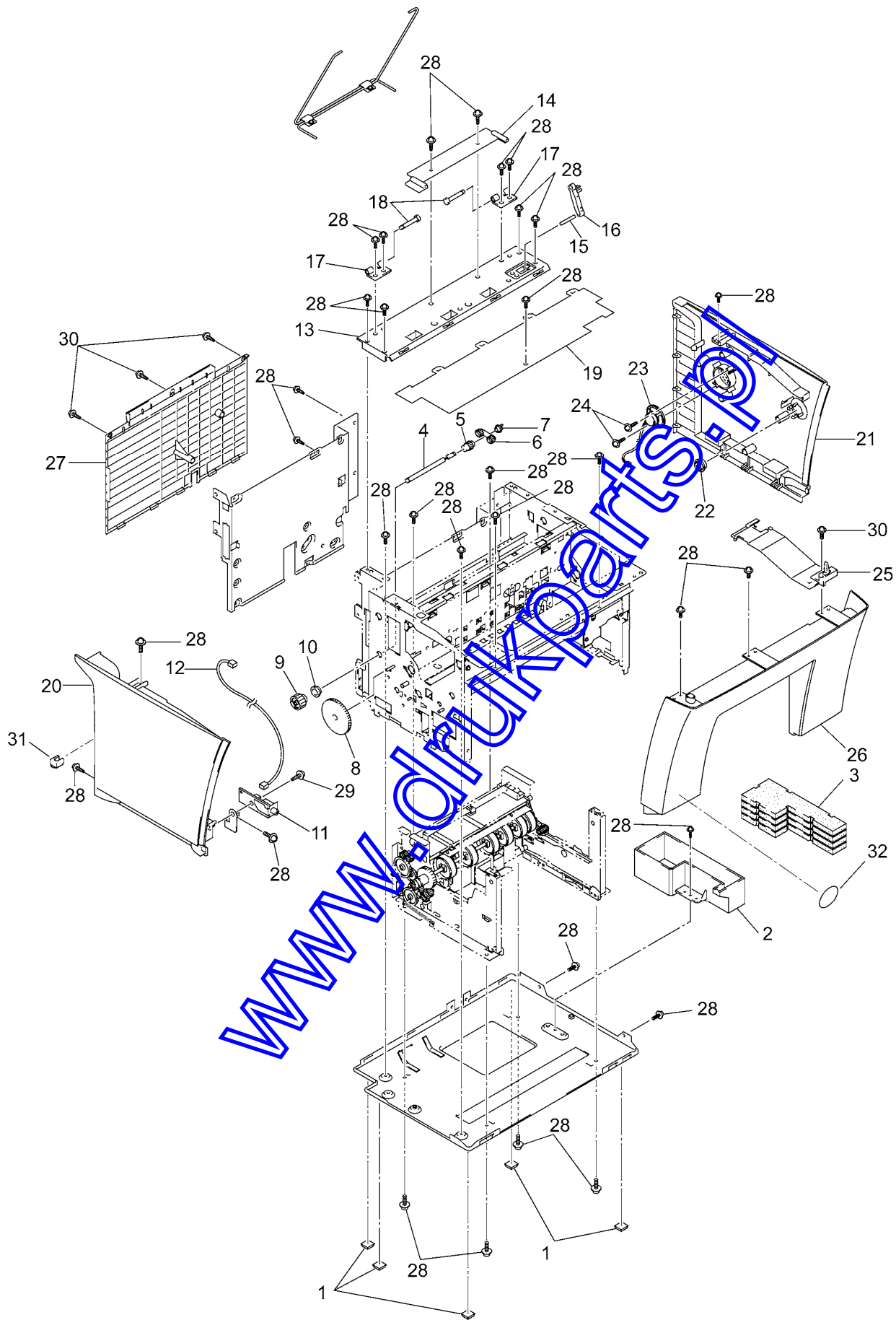


List6(PURGE UNIT)

To replace part marked with an asterisk(\*), you need the special adjustment jig set. If your service center has no special adjustment jig set, you cannot handle those parts as spare parts.

REF.NO.	CODE	Q'TY	DESCRIPTION	REMARKS
*1	LE2242001	1	PURGE UNIT ASSY	
*2	0A5300605	2	SCREW, PAN (S/P WASHER) M3X6	

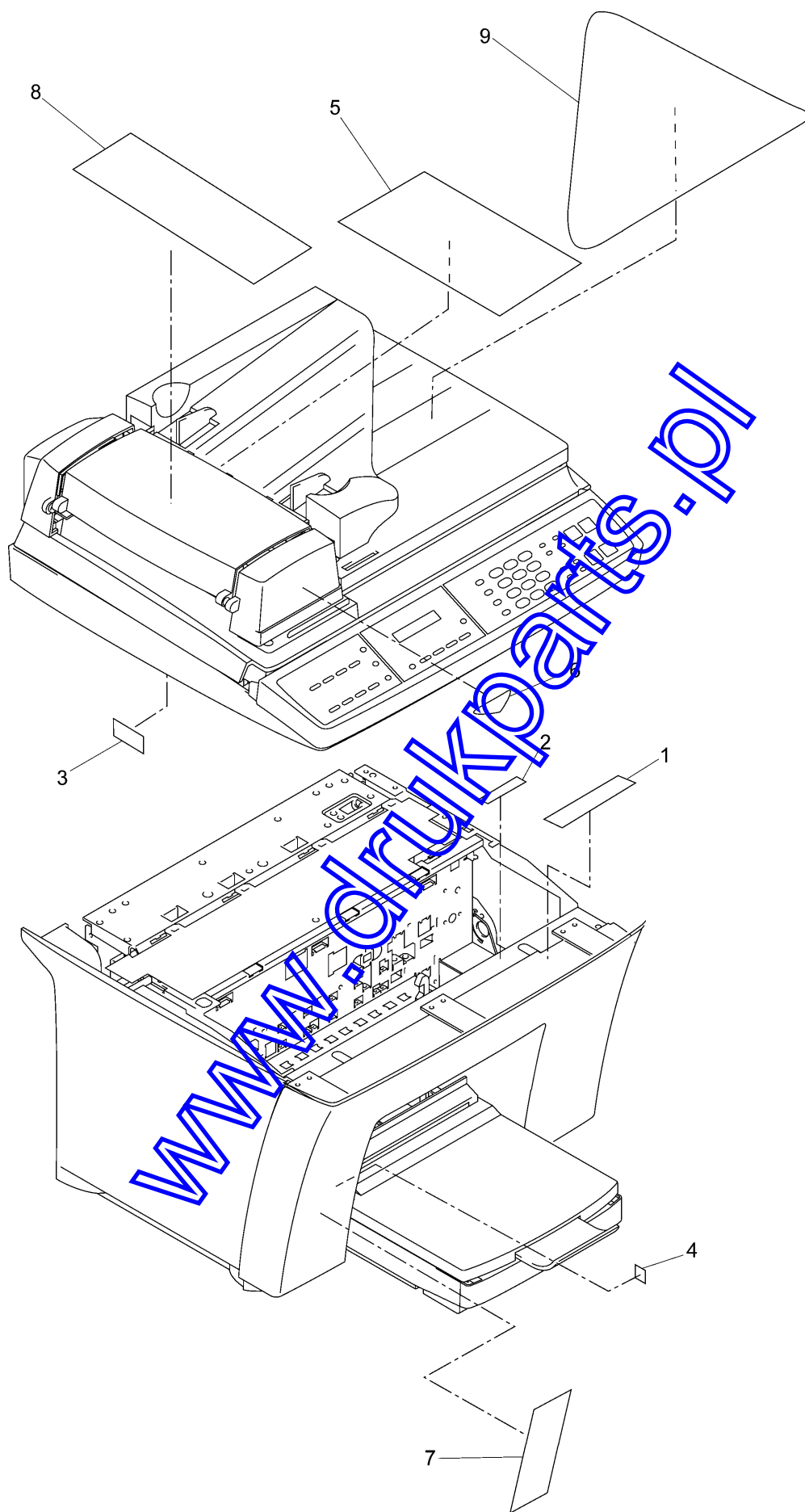
[www.drukparts.pl](http://www.drukparts.pl)





## List7(COVER)

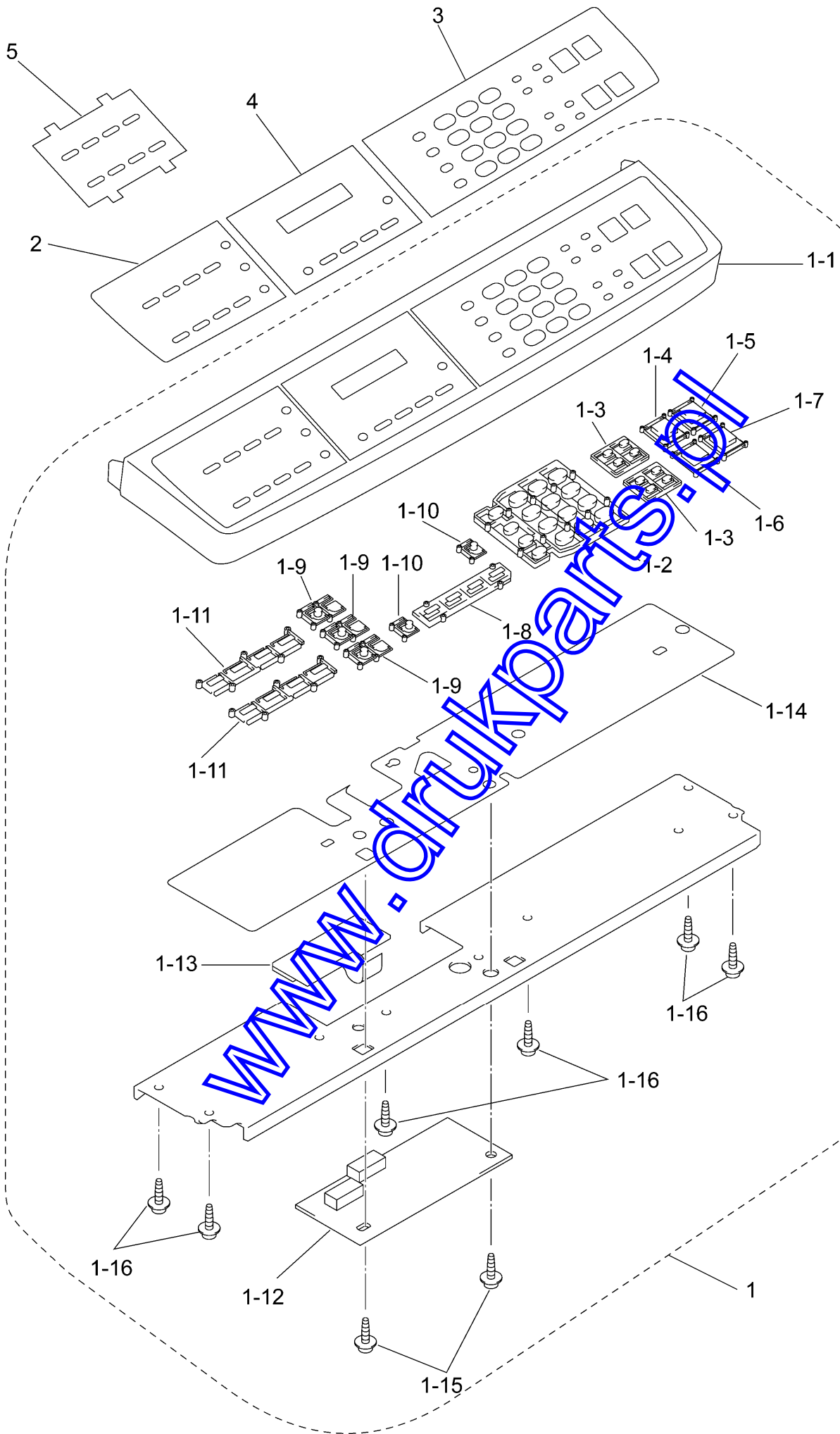
REF.NO.	CODE	Q'TY	DESCRIPTION	REMARKS
1	UL5600001	5	RUBBER FOOT	
2	LE2246001	1	DRAIN TANK	
3	UU1198001	4	INK ABSORBER	
4	LE2223001	1	PAPER FEED SHAFT ASSY	
5	LE2225001	1	GEAR M0.5/25	
6	LE2226001	1	ONE WAY ARM ASSY	
7	UU1290001	1	CONDUCTIVE BUSHING	
8	LE2221001	1	IDLE GEAR	
9	LE2222001	1	GEAR M0.6/25	
10	UF0022000	1	BUSHING	
11	UG5717001	1	VC CONNECTOR PCB ASSY FOR GER/UK/NOR/BEL/NLD/CHE/DEN/SPA/ITA/SWE	
12	LG2195001	1	VC HARNESS FOR GER/UK/NOR/BEL/NLD/CHE/DEN/SPA/ITA/SWE	
13	LE2248001	1	REAR FRAME	
14	LE2577001	1	TORSION BAR SUPPORT	
15	LE2773001	1	LINK SHAFT	
16	LE2758001	1	LINK	
17	LE2252001	2	HINGE PLATE	
18	LE2253001	2	PIVOT PIN	
19	LE2545001	1	COVER SHEET	
20	LE3427001	1	SIDE COVER L, WHITE(1495)	
21	LE2263001	1	SIDE COVER R, WHITE(1495)	
22	LE2264001	1	OPEN BUTTON	
23	LG2187001	1	SPEAKER	
24	UU1225001	2	TAPTITE, CUP B M4X10	
25	LE2265001	1	INNER COVER, WHITE(1495)	
26	LE3471001	1	FRONT COVER, WHITE(1495)	
27	LE2499001	1	REAR COVER, WHITE(1495)	
28	087320616	32	TAPTITE, CUP S M3X6	
29	087310815	1	TAPTITE, CUP B M3X8 FOR GER/UK/NOR/BEL/NLD/CHE/DEN/SPA/ITA/SWE	
30	087321016	4	TAPTITE, CUP S M3X10	
31	UF5745000	1	MJ COVER, EXT FOR FOR GER/UK/FRA/BEL/NLD/DEN/ITA/SWE	
32	LE2778001	1	VIDEO CAPTURE COVER SEAL FOR FRA	



## List8(LABEL)

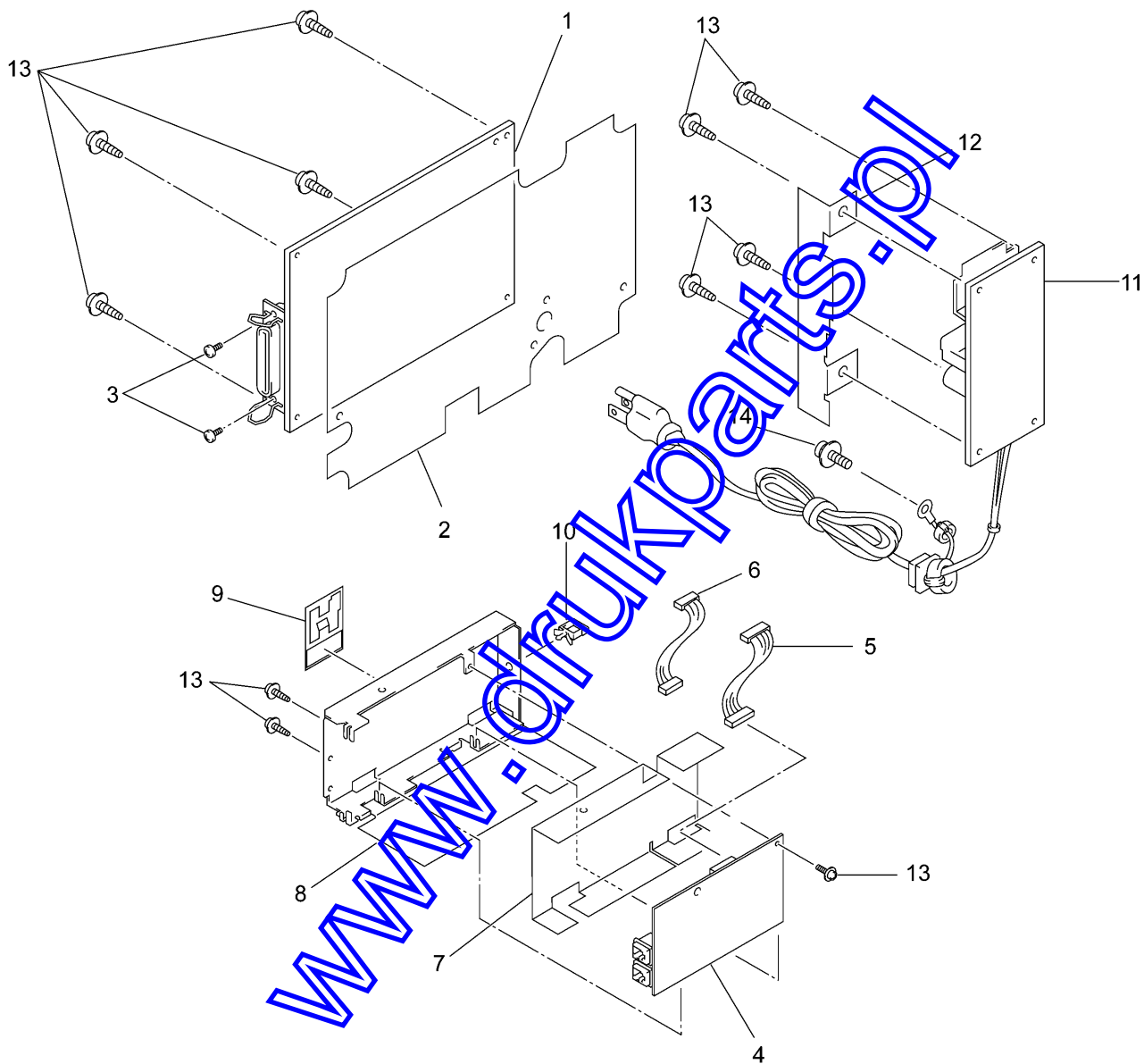
REF.NO.	CODE	Q'TY	DESCRIPTION	REMARKS
1	UU1235001	1	INK REPLACEMENT INSTRUCTION LABEL	
2	UU1236001	1	HEAD GAP ADJUSTMENT INSTRUCTION LABEL	
4	LE2859001	1	PAPER JAM CLEARANCE INSTRUCTION LABEL	
5	UU0456001	1	PROTECTION PAPER	
6	LE2498001	1	COLOR MARK	
7	UU1351001	1	VIDEO MYLAR LABEL BY2, EUR FOR GER/UK/NOR/BEL/NLD/CHE/DEN/SPA/ITA/SWE	
8	LE2501003	1	MYLAR LABEL 760 FOR GER	
8	LE2501004	1	MYLAR LABEL 760 FOR UK/CHE	
8	LE2501005	1	MYLAR LABEL 760 FOR FRA	
9	---		NOT USE	

[www.drukparts.pl](http://www.drukparts.pl)



## List9(CONTROL PANEL)

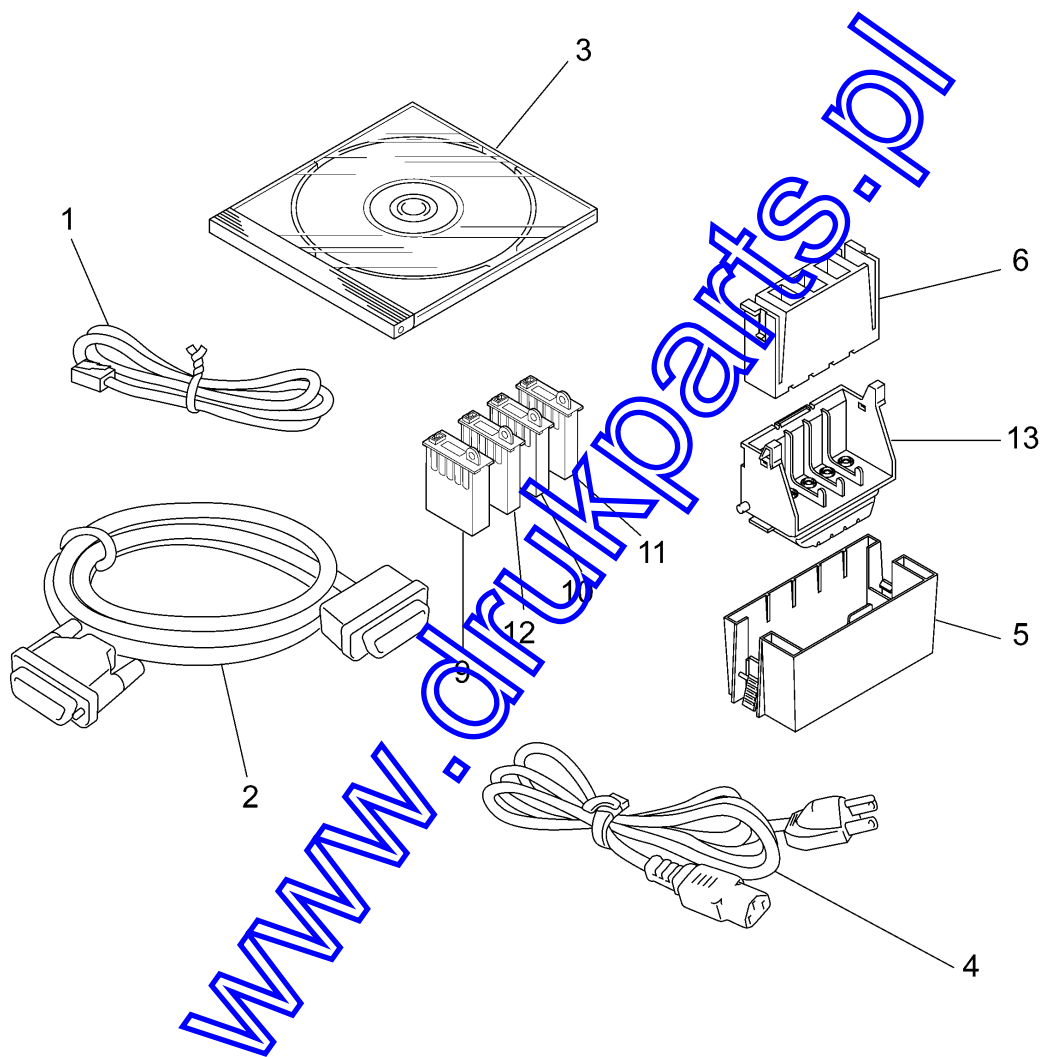
REF.NO.	CODE	Q'TY	DESCRIPTION	REMARKS
1	LE2272001	1	CONTROL PANEL ASSY, WHITE(1495)	
1-1	LE2273001	1	CONTROL PANEL, WHITE(1495)	
1-2	UF4393007	1	KEY, TEN, WHITE(1495)	
1-3	LE2274001	2	KEY, COPY/FAX AREA, WHITE(1495)	
1-4	UF8174008	1	KEY, MONO COPY, WHITE(1495)	
1-5	UF8174009	1	KEY, COLOR COPY, GREEN(5159)	
1-6	UF8174010	1	KEY, STOP, PINK(2205)	
1-7	UF8174011	1	KEY, START, PURPLE(6255)	
1-8	UF8176009	1	KEY, FUNCTION4, GRAY(1509)	
1-9	UF4576008	3	KEY, SHIFT, WHITE(1495)	
1-10	UF4576010	2	KEY, SHIFT, GRAY(1509)	
1-11	UF9118006	2	KEY, ONE TOUCH, WHITE(1495)	
1-12	LG2138001	1	CONTROL PANEL PCB ASSY	
1-13	UG4552000	1	LCD	
1-14	LG2190001	1	FPC KEY ASSY	
1-15	087270815	2	TAPTITE, CUP B M2.6X8	
1-16	087310615	6	TAPTITE, CUP B M3X6	
2	LE2508001	1	PANEL SHEET-1 FOR GER	
2	LE2277001	1	PANEL SHEET-1 FOR UK/BEL/NLD/CHE	
2	LE2514001	1	PANEL SHEET-1 FOR FRA	
2	LE2811001	1	PANEL SHEET-1 FOR NOR	
2	LE2814001	1	PANEL SHEET-1 FOR DEN	
2	LE2817001	1	PANEL SHEET-1 FOR SPA	
2	LE2820001	1	PANEL SHEET-1 FOR ITA	
2	LE2823001	1	PANEL SHEET-1 FOR SWE	
3	LE2509001	1	PANEL SHEET-2 FOR GER	
3	LE2512001	1	PANEL SHEET-2 FOR UK/BEL/NLD/CHE	
3	LE2515001	1	PANEL SHEET-2 FOR FRA	
3	LE2812001	1	PANEL SHEET-2 FOR NOR	
3	LE2815001	1	PANEL SHEET-2 FOR DEN	
3	LE2818001	1	PANEL SHEET-2 FOR SPA	
3	LE2821001	1	PANEL SHEET-2 FOR ITA	
3	LE2824001	1	PANEL SHEET-2 FOR SWE	
4	LE2510001	1	LCD SHEET FOR GER	
4	LE2513001	1	LCD SHEET FOR UK/BEL/NLD/CHE	
4	LE2516001	1	LCD SHEET FOR FRA	
4	LE2813001	1	LCD SHEET FOR NOR	
4	LE2816001	1	LCD SHEET FOR DEN	
4	LE2819001	1	LCD SHEET FOR SPA	
4	LE2822001	1	LCD SHEET FOR ITA	
4	LE2825001	1	LCD SHEET FOR SWE	
5	LE2280001	1	ADDRESS LABEL	



## List10(PCB ASSY)

REF.NO.	CODE	Q'TY	DESCRIPTION	REMARKS
1	LG2233001	1	MAIN PCB ASSY	
2	LE2258001	1	INSULATION FILM (MAIN)	
3	002300615	2	SCREW, PAN M3X6	
4	LG2295001	1	NCU PCB ASSY	
5	LG2140001	1	NCU MAIN HARNESS	
6	LG2231001	1	NCU MAIN HARNESS 2	
7	LE2257001	1	INSULATION FILM (NCU)	
8	LE2484001	1	INSULATION FILM 2 (NCU)	
9	LE2543001	1	CORE SUPPORT	
10	UG4163000	1	CABLE CLAMP	
11	UG5573001	1	POWER SUPPLY PCB (EXCLUDING AC CORD)	
12	LE2483001	1	INSULATION FILM (POWER SUPPLY)	
13	087320616	11	TAPTITE, CUP S M3X6	
14	UF6559001	1	SCREW, PAN (WASHER) M4X8DB	

[www.drukparts.pl](http://www.drukparts.pl)



www.drukparts.pl



## List11(Accessories&amp;Others)

REF.NO.	CODE	Q'TY	DESCRIPTION	REMARKS
1	UG3565001	1	TELEPHONE LINE CORD FOR GER	
1	UG3626001	1	TELEPHONE LINE CORD FOR UK	
1	UG3627001	1	TELEPHONE LINE CORD FOR FRA	
1	UG3290001	1	TELEPHONE LINE CORD FOR NOR	
1	UG1575001	1	TELEPHONE LINE CORD FOR BEL	
1	UG3631001	1	TELEPHONE LINE CORD FOR NLD	
1	UG3469000	1	TELEPHONE LINE CORD FOR CHE	
1	UG3633001	1	TELEPHONE LINE CORD FOR DEN	
1	UG3634001	1	TELEPHONE LINE CORD FOR ITA	
1	UG3635001	1	TELEPHONE LINE CORD FOR SWE	
1	UG1570001	1	TELEPHONE LINE CORD FOR SPA	
2	UG4558001	1	INTERFACE CABLE FOR GER/UK	
3	LE2502001	1	CD-ROM ASSY	
4	LG2085001	1	AC CORD FOR GER/FRA/NOR/BEL/NLD/SPA/ITA/SWE	
4	LG2086001	1	AC CORD FOR UK	
4	LG2087001	1	AC CORD FOR CHE	
4	LG2181001	1	AC CORD FOR DEN	
5	ZA0423001	1	HEAD NOZZLE SEALS (INCLUDING 10PCS)	
6	ZA0424001	1	HEAD FILTER SEALS (INCLUDING 10PCS)	
(7)	ZA0310001	1	HEAD CLEANER STICK ASSY	
(8)	ZA0509001	1	INITIAL LIQUID CARTRIDGE ASSY (INCLUDING 4 EMPTY CARTRIDGES)	
9	ZA0492004	4	BLACK INK CARTRIDGES (INCLUDING 100PCS)	<Eliminated>
10	ZA0495004	4	CYAN INK CARTRIDGES (INCLUDING 100PCS)	<Eliminated>
11	ZA0498004	4	MAGENTA INK CARTRIDGES (INCLUDING 100PCS)	<Eliminated>
12	ZA0501004	4	YELLOW INK CARTRIDGES (INCLUDING 100PCS)	<Eliminated>
13	LK0045001	1	PRINT HEADS HD002 (INCLUDING 10PCS)	
(14)	ZA0304001	1	INITIAL LIQUID ASSY (INCLUDING INITIAL LIQUID (120CC) AND SYRINGE (25CC))	
(15)	LE0026001	1	FOAM EMPTY CARTRIDGE FOR INK SENSOR ADJUSTMENT	
(16)	LE0025001	1	EMPTY CARTRIDGE FOR INK SENSOR ADJUSTMENT	
(17)	UF9258001	1	COLOR TEST CHART CTC-001	
(18)	UF4600001	1	CONTRAST CHECK CHART TC-025	

## List12(PRINTED MATERIAL)

REF.NO.	CODE	Q'TY	DESCRIPTION	REMARKS
(1)	LE2517001	1	OWNER'S MANUAL ASSY FOR GER (INCLUDING OWNER'S MANUAL(1-1), WARRANTY CARD AND MFL MANUAL(1-2))	
(1)	LE2518001	1	OWNER'S MANUAL ASSY FOR UK (INCLUDING OWNER'S MANUAL(1-1), 3 WARRANTY CARDS AND MFL MANUAL(1-2))	
(1)	LE2519001	1	OWNER'S MANUAL ASSY FOR FRA (INCLUDING OPERATIONS MANUAL(1-1), 2 WARRANTY CARDS AND MFL MANUAL(1-2))	
(1)	LE2826001	1	OWNER'S MANUAL ASSY FOR NOR (INCLUDING OPERATIONS MANUAL(1-1), 2 WARRANTY CARDS AND MFL MANUAL(1-2))	
(1)	LE2827001	1	OWNER'S MANUAL ASSY FOR BEL (INCLUDING 2 OPERATIONS MANUALS(1-1), WARRANTY CARD AND MFL MANUAL(1-2))	
(1)	LE2828001	1	OWNER'S MANUAL ASSY FOR NLD (INCLUDING OPERATIONS MANUAL(1-1), WARRANTY CARD AND MFL MANUAL(1-2))	
(1)	LE2520001	1	OWNER'S MANUAL ASSY FOR CHE (INCLUDING 2 OPERATIONS MANUALS(1-1), WARRANTY CARD AND MFL MANUAL(1-2))	
(1)	LE2829001	1	OWNER'S MANUAL ASSY FOR DEN (INCLUDING OPERATIONS MANUAL(1-1), WARRANTY CARD AND MFL MANUAL(1-2))	
(1)	LE2830001	1	OWNER'S MANUAL ASSY FOR SPA (INCLUDING OPERATIONS MANUAL(1-1), 2 WARRANTY CARDS AND MFL MANUAL(1-2))	
(1)	LE2831001	1	OWNER'S MANUAL ASSY FOR ITA (INCLUDING OPERATIONS MANUAL(1-1), WARRANTY CARD AND MFL MANUAL(1-2))	
(1)	LE2832001	1	OWNER'S MANUAL ASSY FOR SWE (INCLUDING OPERATIONS MANUAL(1-1), 2 WARRANTY CARDS AND MFL MANUAL(1-2))	
(1-1)	LE2535003	1	OWNER'S MANUAL FOR GER	
(1-1)	LE2505004	1	OWNER'S MANUAL FOR UK	
(1-1)	LE2505005	1	OWNER'S MANUAL FOR FRA	
(1-1)	LE2505007	1	OWNER'S MANUAL FOR NOR	
(1-1)	LE2505008	1	OWNER'S MANUAL FOR BEL/NLD	
(1-1)	LE2506008	1	OWNER'S MANUAL FOR BEL/CHE	
(1-1)	LE2505010	1	OWNER'S MANUAL FOR CHE	
(1-1)	LE2505013	1	OWNER'S MANUAL FOR DEN	
(1-1)	LE2505015	1	OWNER'S MANUAL FOR SPA	
(1-1)	LE2505016	1	OWNER'S MANUAL FOR ITA	
(1-1)	LE2505026	1	OWNER'S MANUAL FOR SWE	
(1-2)	LE1051003	1	MFL MANUAL FOR GER/UK/FRA/BEL/NLD/CHE	
(1-2)	LE1051007	1	MFL MANUAL FOR NOR/DEN/SPA/ITA/SWE	

## List13(CARTON)

REF.NO.	CODE	Q'TY	DESCRIPTION	REMARKS
(1)	LE2507003	1	CARTON, BROTHER MFC760 FOR GER	
(1)	LE2507004	1	CARTON, BROTHER MFC760 FOR UK/CHE	
(1)	LE2507005	1	CARTON, BROTHER MFC760 FOR FRA	
(1)	LE2833001	1	CARTON, BROTHER MFC760 FOR NOR/BEL/NLD/DEN/SPA/ITA/SWE	
(2)	LE2288001	1	STYROFOAM ASSY	
(3)	LE2565001	1	POLY-ETHYLENE BAG FOR MACHINE, 900X850	
(3)	LE2565002	1	POLY-ETHYLENE BAG FOR MACHINE, 900X850 ONLY FOR FRA	
(4)	LE2291001	1	CARTON, FOR MANUAL	
(5)	LE2292001	1	PAD, 320X240	

[www.drukparts.pl](http://www.drukparts.pl)

**brother**

[www.drumparts.pl](http://www.drumparts.pl)