



FACSIMILE EQUIPMENT

PARTS REFERENCE LIST

MODEL: MFC-740 / 730

(For Germany / United Kingdom / France /
Norway / Belgium / Netherlands /
Switzerland / Italy / Sweden / Euro Generic)

www.drukparts.nl

www.drukparts.pl

© Copyright Brother 1998

All rights reserved

No part of this publication may be reproduced in any form or by any means without permission in writing from the publisher.

Specifications are subject to change without prior notice.

NOTES FOR USING THIS PARTS REFERENCE LIST

1. In the case of ordering parts, it needs mentioning the following items:

- (1) Code
- (2) Q' ty
- (3) Description

Note: No orders without Parts Code or Tool No. can be accepted.

[Example]

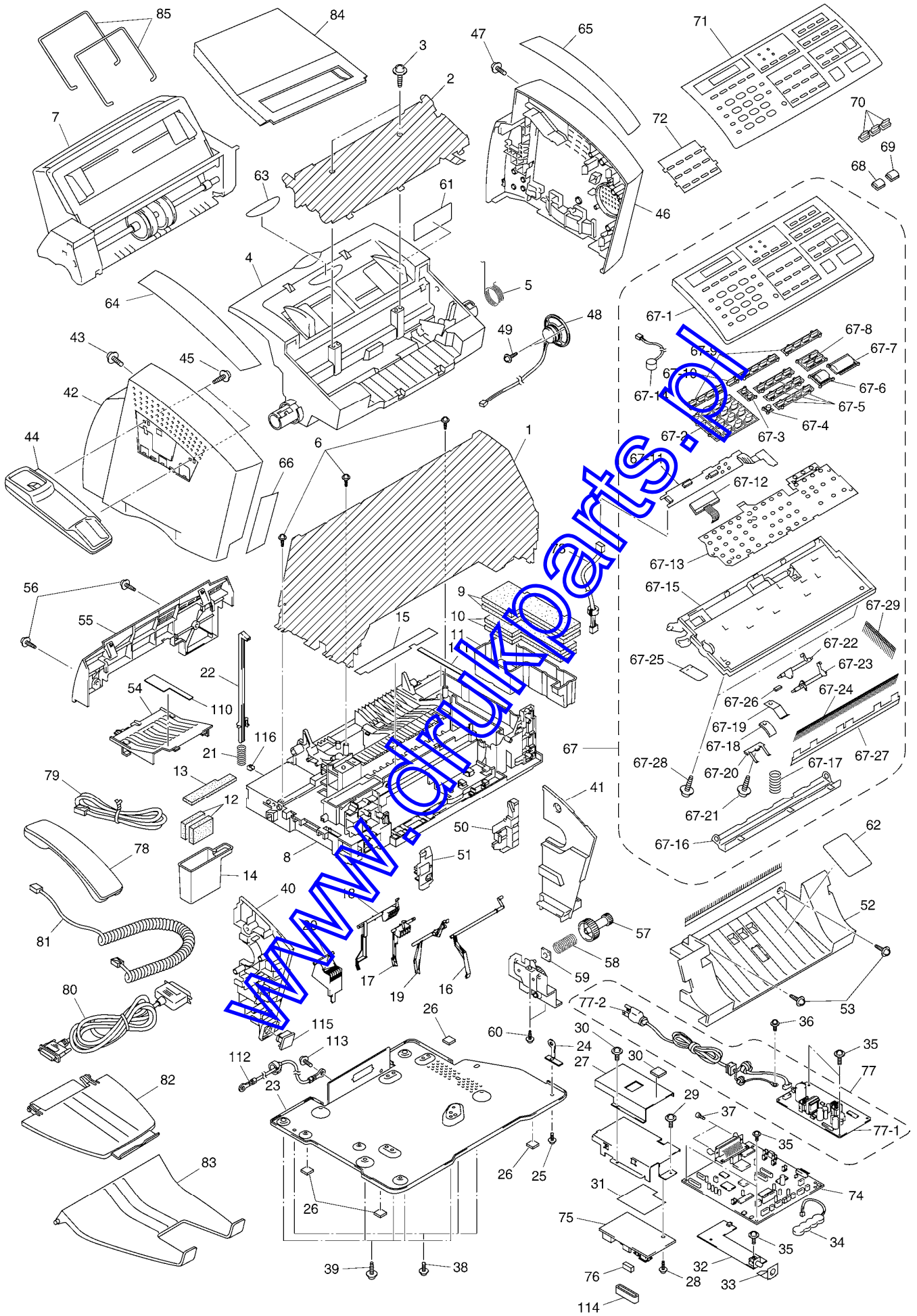
	(1)	(2)	(3)	
REF.NO.	CODE	Q' TY	DESCRIPTION	REMARKS

2. Parts change will be informed by the technical information.

COUNTRIES

- GERMANY ----- GER
- UNITED KINGDOM ----- UK
- FRANCE ----- FRA
- NORWAY ----- NOR
- BELGIUM ----- BEL
- NETHERLANDS ----- NLD
- SWITZERLAND ----- CHE
- ITALY ----- ITA
- SWEDEN ----- SWE
- EURO GENERIC ----- GNR

www.drukparts.pl



To replace those marked with an asterisk(*), you need the special adjustment jig set. If your service center has no special adjustment jig set, you cannot handle those parts as spare parts.

RefNo	CODE	Q'TY	DESCRIPTION	REMARKS
1			MAIN FRAME ATTACHMENT	
2			SCANNER FRAME ATTACHMENT	
3	087311016	2	TAPTITE, CUP B M3X10	
4	UU1016001	1	TOP COVER	
5	UU1022001	1	TOP COVER SPRING	
*6	087411216	3	TAPTITE, CUP B M4X12	
7	UU1482001	1	BIN, WHITE(1138), (A4)	
8	UU1197001	1	LOWER COVER, WHITE(1138)	
9	UU1198001	2	UPPER INK ABSORBER	
10	UU1380001	2	LOWER INK ABSORBER	
*11	UU1448001	1	INK ABSORBERS PACK	
12	UU1199001	1	LOWER FLUSHING FOAM	
13	UU1200001	1	UPPER FLUSHING FOAM	
*14	UU1449001	1	FLUSHING FOAMS PACK	
15	UU1311001	1	PROTECTION FILM	
16	UU1201001	1	BIN COVER SENSOR ACTUATOR	
17	UU1202001	1	RESISTORATION SENSOR ACTUATOR	
18	UU1203001	1	PAPER WIDTH SENSOR ACTUATOR	
19	UU1204001	1	PAPER EJECTION SENSOR ACTUATOR	
20	UU1205001	1	COVER SENSOR ACTUATOR 1	
21	UH3245001	1	SPRING	
22	UU1206001	1	COVER SENSOR ACTUATOR 2	
23	UU1492001	1	BOTTOM PLATE	
24	UU1210001	1	GROUNDING PLATE	
25	000300606	1	SCREW, BIND M3X6	
26	UL5600001	4	RUBBER FOOT	
27	UU1466001	1	SHIELD PLATE B	
28	087320616	1	TAPTITE, CUP S M3X6	
29	087320616	2	TAPTITE, CUP S M3X6	
30	UU1306001	1	SPONGE B	
31	UU1468001	1	NCU SHIELD FILM	
32	UG5543001	1	VIDEO PCB ASSY FOR GER/UK/NOR/BEL/NLD/CHE/ITA/SWE/GNR	
33	UU1213001	1	VIDEO FILM FOR GER/UK/NOR/BEL/NLD/CHE/ITA/SWE/GNR	
34	UG3732001	1	BATTERY ASSY FOR MFC740	
35	087320616	5	TAPTITE, CUP S M3X6 FOR GER/UK/NOR/BEL/NLD/CHE/ITA/SWE/GNR	
35	087320616	4	TAPTITE, CUP S M3X6 FOR FRA	
36	UF6559001	1	SCREW, PAN (WASHER) M4X8DB	
37	002300615	2	SCREW, PAN M3X6	
38	087320616	3	TAPTITE, CUP S M3X6	
39	087311016	5	TAPTITE, CUP B M3X10	
40	UU1218001	1	INNER COVER L, WHITE(1138)	
41	LE0042001	1	INNER COVER R, WHITE(1138)	
42	UU1220001	1	COVER L, WHITE(1138)	
43	0A5400806	1	SCREW, PAN (S/P WASHER) M4X8	
44	UU1221001	1	HANDSET HOLDER ASSY	
45	087311016	2	TAPTITE, CUP B M3X10	

To replace those marked with an asterisk(*), you need the special adjustment jig set. If your service center has no special adjustment jig set, you cannot handle those parts as spare parts.

RefNo	CODE	Q'TY	DESCRIPTION	REMARKS
46	UU1224001	1	COVER R, WHITE(1138)	
47	0A5400806	1	SCREW, PAN (S/P WASHER) M4X8	
48	UG5559001	1	SPEAKER	
49	UU1225001	2	TAPTITE, CUP B M4X10	
50	UU1226001	1	SPACER R, WHITE(1138)	
51	UU1227001	1	SPACER L, WHITE(1138)	
52	UU1411001	1	FRONT COVER ASSY	
53	087411216	2	TAPTITE, CUP B M4X12	
54	UU1229001	1	ROM COVER, WHITE(1138)	
55	UU1230001	1	REAR COVER, WHITE(1138)	
56	087411216	2	TAPTITE, CUP B M4X12	
57	UU1195001	1	PURGE GEAR 3	
58	UU1291001	1	SPRING, COMPRESSION	
59	UD6190001	1	SPACER	
60	087311016	1	TAPTITE, CUP B M3X10	
61	UU1236001	1	PAPER THK INSTRUCTION LABEL	
62	UU1460001	1	TRAY CAUTION LABEL	
63	UU1320001	1	COLOR MARK FOR MFC740	
63	UU1522001	1	COLOR MARK FOR MFC730	
64	----		NOT USED	
65	----		NOT USED	
66	UU1351001	1	VIDEO MYLAR LABEL FOR GER/UK/NOR/BEL/NLD/CHE/ITA/SWE/IC/NR	
67	UU1261001	1	CONTROL PANEL ASSY, WHITE(1138) FOR MFC740	
67	UU1480001	1	CONTROL PANEL ASSY, WHITE(1138) FOR MFC730	
67-1	UU7003001	1	CONTROL PANEL COVER, WHITE(1138)	
67-2	UF4393003	1	KEY, TEL, WHITE(1138)	
67-3	UU7099001	1	KEY, VOLUME, WHITE(1138)	
67-4	UF4576003	1	KEY, SHIFT, WHITE(1138)	
67-5	UF8176003	3	KEY, ONE TOUCH, WHITE(1138)	
67-6	UF8173002	1	KEY, STOP, ORANGE(3172)	
67-7	UF8172004	1	KEY, START, BLUE(6238)	
67-8	UU7100001	1	KEY, COPY AREA, WHITE(1138)	
67-9	UF9118001	3	KEY, FUNCTION 1, WHITE(1138)	
67-10	UF5581005	1	KEY, FUNCTION 2, WHITE(1138)	
67-11	UG5547001	1	PANEL PCB ASSY FOR MFC740	
67-11	UG4519001	1	PANEL PCB ASSY FOR MFC730	
67-12	UG4552000	1	REC KEY	
67-13	UG4553001	1	REC KEY	
67-14	UG5575001	1	MICROPHONE FOR MFC740	
67-15	UU7004001	1	PANEL REAR COVER	
67-16	UU7101001	1	DOCUMENT PRESSURE BAR ASSY	
67-17	UU7147001	1	DOCUMENT PRESSURE BAR SPRING	
67-18	UU7521001	1	SEPARATION RUBBER	
67-19	UU7105001	1	SPRING PLATE B	
67-20	UU7106001	1	SPRING PLATE A	
67-21	UF6116001	1	TAPTITE, PAN B M3X6	
67-22	UU7107001	1	DOCUMENT FRONT SENSOR ACTUATOR	
67-23	UU7108001	1	DOCUMENT REAR SENSOR ACTUATOR	

To replace those marked with an asterisk(*), you need the special adjustment jig set. If your service center has no special adjustment jig set, you cannot handle those parts as spare parts.

RefNo	CODE	Q'TY	DESCRIPTION	REMARKS
67-24	UU7505001	1	ANTISTATIC BRUSH 1	
67-25	UF7187001	1	GEAR SHIELD FILM	
67-26	UU7285001	1	ANTIVIBRATION RUBBER	
67-29	UU7506001	1	ANTISTATIC BRUSH 2	
67-27	UU1477001	1	CIS SHIELD FILM 1	
67-28	087310815	2	TAPTITE, CUP B M3X8	
68	UU7110001	1	KEY, COPY, WHITE(1138)	
69	UU7110003	1	KEY, COPY, GREEN(5180)	
70	UU7111001	3	KEY, MC, WHITE(1138) FOR MFC740	
71	UU1329001	1	PANEL SHEET, MFC740 FOR GER	
71	UU1526001	1	PANEL SHEET, MFC730 FOR GER	
71	UU1330001	1	PANEL SHEET, MFC740 FOR UK/CHE/GNR	
71	UU1526001	1	PANEL SHEET, MFC730 FOR UK	
71	UU1331001	1	PANEL SHEET FOR FRA	
71	UU1332001	1	PANEL SHEET FOR NOR	
71	UU1352001	1	PANEL SHEET FOR BEL	
71	UU1333001	1	PANEL SHEET FOR NLD	
71	UU1334001	1	PANEL SHEET FOR ITA	
71	UU1335001	1	PANEL SHEET FOR SWE	
72	UU7139001	1	ADDRESS LABEL, WHITE(1138)	
73	UG5562001	1	PANEL-MAIN HARNESS FOR MFC740	
73	UG5561001	1	PANEL-MAIN HARNESS FOR MFC730	
74	LE0429001	1	MAIN PCB SUPPLY ASSY FOR MFC740	
74	LE0431001	1	MAIN PCB SUPPLY ASSY FOR MFC730	
75	UG5578003	1	NCU PCB ASSY FOR GER	
75	UG5579004	1	NCU PCB ASSY FOR UK/GNR	
75	UG5583005	1	NCU PCB ASSY FOR FRA	
75	UG5580007	1	NCU PCB ASSY FOR NOR	
75	UG5581008	1	NCU PCB ASSY FOR BEL	
75	UG5582009	1	NCU PCB ASSY FOR NLD	
75	UG5578010	1	NCU PCB ASSY FOR CHE	
75	UG5581016	1	NCU PCB ASSY FOR ITA	
75	UG5579026	1	NCU PCB ASSY FOR SWE	
(75-1)	UG6776000	1	ARRESTER:RA102 (LOCATION:A1)	
(75-2)	UG6775000	1	ARRESTER:RA311 (LOCATION:A2)	
(75-3)	UG6798000	2	PHOTO COUPLER:TLP621 (LOCATION:PH2,PH4)	
(75-4)	UG3272000	1	IC:THS-65 (LOCATION:T3)	
(75-5)	-----		NOT USED	
(75-6)	-----		NOT USED	
76	UG5585000	1	EXTENTION CONNECTOR, 18P	
77	-----		NOT USED	
77-1	UG5573001	1	POWER SUPPLY PCB ASSY	
77-2	UG3156001	1	AC CORD ASSY FOR GER/FRA/NOR/BEL/NLD/ITA/SWE/GNR	
77-2	UG3152001	1	AC CORD ASSY FOR UK	
77-2	UG3154001	1	AC CORD ASSY FOR CHE	
78	UF6857003	1	HANDSET, WHITE(1138) FOR GER/FRA/NOR/BEL/NLD/CHE/ITA/SWE/GNR	
78	UU0281003	1	HANDSET, WHITE(1138) FOR UK	

To replace those marked with an asterisk(*), you need the special adjustment jig set. If your service center has no special adjustment jig set, you cannot handle those parts as spare parts.

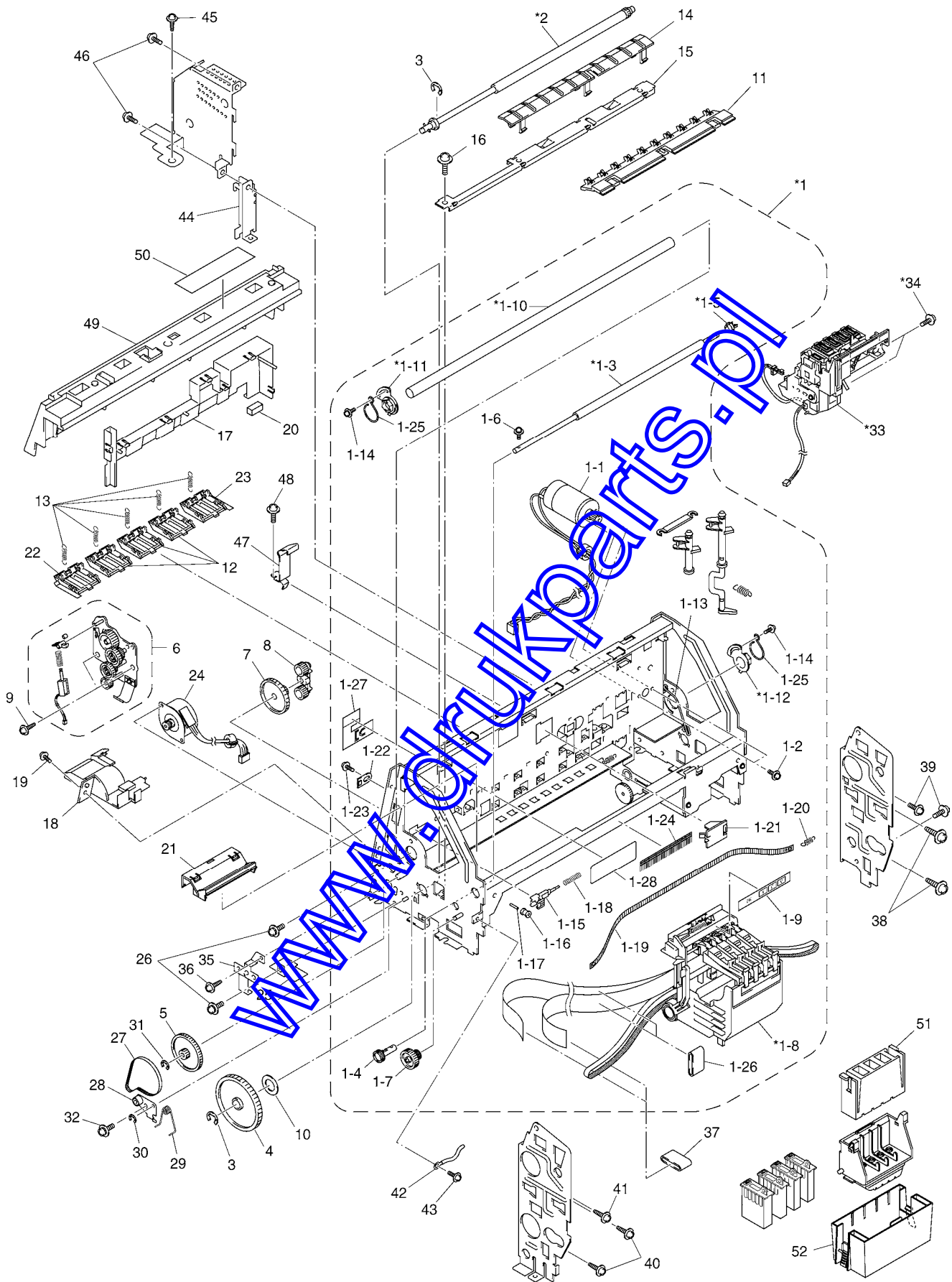
RefNo	CODE	Q'TY	DESCRIPTION	REMARKS
79	UL8230001	1	TELEPHONE LINE CORD FOR GER	
79	UL8211001	1	TELEPHONE LINE CORD FOR UK	
79	UL8290001	1	TELEPHONE LINE CORD FOR FRA	
79	UL8384001	1	TELEPHONE LINE CORD FOR NOR	
79	UL8219001	1	TELEPHONE LINE CORD FOR BEL	
79	UL8231001	1	TELEPHONE LINE CORD FOR NLD	
79	UG4169001	1	TELEPHONE LINE CORD FOR CHE	
79	UL8289001	1	TELEPHONE LINE CORD FOR ITA	
79	UL8218001	1	TELEPHONE LINE CORD FOR SWE	
79	UG3409001	1	TELEPHONE LINE CORD FOR GNR	
80	UG4558001	1	I/F CABLE FOR GER/UK	
81	UF7204009	1	HANDSET CURLED CORD ASSY, WHITE(1255)	
82	UU1248001	1	DOCUMENT EJECTION TRAY ASSY	
83	UU1289001	1	PAPER TRAY	
84	UU1481001	1	DUST COVER ASSY	
85	UU1309001	2	TRAY EXTENSION	
(86)	UU0456001	1	PROTECTION PAPER	
(87)	UD6246001	1	STARTER COATED PAPER ASSY (A4)	
(88)	UU1336004	1	CD-ROM ASSY FOR MFC740	
(89)	UU1365001	1	OWNER'S MANUAL ASSY, MFC740 FOR GER (INCLUDING OWNER'S MANUAL(REF.NO.(89-1)), MULTI FUNCTION LINK MANUAL(REF.NO.(89-4)), WARRANTY CARD, LICENSE GUIDE, TRAY EXTENSION(REF.NO.85))	
(89)	UU1524001	1	OWNER'S MANUAL ASSY, MFC730 FOR GER (INCLUDING OWNER'S MANUAL(REF.NO.(89-1)), WARRANTY CARD, TRAY EXTENSION(REF.NO.85))	
(89)	UU1366001	1	OWNER'S MANUAL ASSY FOR UK (INCLUDING OWNER'S MANUAL(REF.NO.(89-1)), MULTI FUNCTION LINK MANUAL(REF.NO.(89-4)), WARRANTY CARDS, LICENSE GUIDE, TRAY EXTENSION(REF.NO.85))	
(89)	LE0424001	1	OWNER'S MANUAL ASSY FOR UK (INCLUDING OWNER'S MANUAL(REF.NO.(89-1)), WARRANTY CARDS, TRAY EXTENSION(REF.NO.85))	
(89)	UU1367001	1	OWNER'S MANUAL ASSY FOR FRA (INCLUDING OWNER'S MANUAL(REF.NO.(89-1)), MULTI FUNCTION LINK MANUAL(REF.NO.(89-4)), WARRANTY CARDS, LICENSE GUIDE, TRAY EXTENSION(REF.NO.85))	
(89)	UU1368001	1	OWNER'S MANUAL ASSY FOR NOR (INCLUDING OWNER'S MANUAL(REF.NO.(89-1)), MULTI FUNCTION LINK MANUAL(REF.NO.(89-4)), WARRANTY CARDS, LICENSE GUIDE, TRAY EXTENSION(REF.NO.85))	
(89)	UU1369001	1	OWNER'S MANUAL ASSY FOR BEL (INCLUDING OWNER'S MANUALS(REF.NO.(89-1)), MULTI FUNCTION LINK MANUAL(REF.NO.(89-4)), WARRANTY CARD, LICENSE GUIDE,	

To replace those marked with an asterisk(*), you need the special adjustment jig set. If your service center has no special adjustment jig set, you cannot handle those parts as spare parts.

RefNo	CODE	Q'TY	DESCRIPTION	REMARKS
(89)	UU1370001	1	TRAY EXTENSION(REF.NO.85)) OWNER'S MANUAL ASSY FOR NLD (INCLUDING OWNER'S MANUAL(REF.NO.(89-1)), MULTI FUNCTION LINK MANUAL(REF.NO.(89-4)), WARRANTY CARD, LICENSE GUIDE, TRAY EXTENSION(REF.NO.85))	
(89)	UU1371001	1	OWNER'S MANUAL ASSY FOR CHE (INCLUDING OWNER'S MANUALS(REF.NO.(89-1)), MULTI FUNCTION LINK MANUAL(REF.NO.(89-4)), WARRANTY CARD, LICENSE GUIDE, TRAY EXTENSION(REF.NO.85))	
(89)	UU1372001	1	OWNER'S MANUAL ASSY FOR ITA (INCLUDING OWNER'S MANUAL(REF.NO.(89-1)), MULTI FUNCTION LINK MANUAL(REF.NO.(89-4)), WARRANTY CARD, LICENSE GUIDE, TRAY EXTENSION(REF.NO.85))	
(89)	UU1373001	1	OWNER'S MANUAL ASSY FOR SWE (INCLUDING OWNER'S MANUAL(REF.NO.(89-1)), MULTI FUNCTION LINK MANUAL(REF.NO.(89-4)), WARRANTY CARDS, LICENSE GUIDE, TRAY EXTENSION(REF.NO.85))	
(89)	UU1374001	1	OWNER'S MANUAL ASSY FOR GNR (INCLUDING OWNER'S MANUAL(REF.NO.(89-1)), MULTI FUNCTION LINK MANUAL(REF.NO.(89-4)), LICENSE GUIDE, TRAY EXTENSION(REF.NO.85))	
(89-1)	UU1362003	1	OWNER'S MANUAL, MFC740 FOR GER	
(89-1)	UU1525003	1	OWNER'S MANUAL, MFC730 FOR GER	
(89-1)	UU1362004	1	OWNER'S MANUAL FOR UK/GNR	
(89-1)	UU1362005	1	OWNER'S MANUAL FOR FRA	
(89-1)	UU1362007	1	OWNER'S MANUAL FOR NOR	
(89-1)	UU1362008	1	OWNER'S MANUAL FOR BEL (DUTCH)	
(89-1)	UU1363008	1	OWNER'S MANUAL FOR BEL/CHE (FRENCH)	
(89-1)	UU1362009	1	OWNER'S MANUAL FOR NLD	
(89-1)	UU1362010	1	OWNER'S MANUAL FOR CHE (GERMAN)	
(89-1)	UU1362016	1	OWNER'S MANUAL FOR ITA	
(89-1)	UU1362026	1	OWNER'S MANUAL FOR SWE	
(89-2)	-----		NOT USED	
(89-3)	-----		NOT USED	
(89-4)	UU7361003	1	MULTI FUNCTION LINK MANUAL, MFC740 FOR GER/UK/FRA/BEL/NLD/CHE/GNR	
(89-4)	UU7361007	1	MULTI FUNCTION LINK MANUAL FOR NOR/ITA/SWE	
(90)	UE1974003	1	CARTON, BROTHER, MFC740 FOR GER	
(90)	UE3109003	1	CARTON, BROTHER, MFC730 FOR GER	
(90)	UE1974004	1	CARTON, BROTHER, MFC740 FOR UK/CHE/GNR	
(90)	LE0426004	1	CARTON, BROTHER, MFC730 FOR UK	
(90)	UE1974005	1	CARTON, BROTHER FOR FRA	
(90)	UE1974007	1	CARTON, BROTHER FOR NOR/BEL/NLD/ITA/SWE	
(91)	UE1956001	1	STYROFORM	

To replace those marked with an asterisk(*), you need the special adjustment jig set. If your service center has no special adjustment jig set, you cannot handle those parts as spare parts.

RefNo	CODE	Q'TY	DESCRIPTION	REMARKS
(92)	UE3402004	4	SHEET, 230X300 FOR GER/UK/FRA/CHE/GNR	<Eliminated>
(93)	UE3031001	1	BAG, 800X900H	
(93)	UE3031002	1	BAG, 800X900H, ONLY FOR FRA	
(94)	UE1959001	1	PAD FOR MANUAL	
(95)	UE1960001	1	PAD FOR ACCESSORY	
(96)	UE3030001	2	SPACER	
(97)	UU1350003	4	POP FOR GER	<Eliminated>
(97)	UU1350004	4	POP FOR UK/CHE/GNR	<Eliminated>
(97)	UU1350005	4	POP FOR FRA	<Eliminated>
(98)	UE3042001	1	SHEET, 170X550	
(99)	UF9258001	1	CONTRAST CHECK SHEET CTC-001	
(100)	ZA0310001	1	HEAD CLEANER STICK ASSY	
(101)	ZA0304001	1	INITIAL LIQUID ASSY (INCLUDING INITIAL LIQUID (120CC) AND SYRINGE (250CC))	
(102)	ZA0509001	1	INITIAL LIQUID CARTRIDGE ASSY (INCLUDING 4 EMPTY CARTRIDGES)	
(103)	LE0026001	1	FOAM EMPTY CARTRIDGE FOR INK SENSOR ADJUSTMENT	
(104)	LE0025001	1	EMPTY CARTRIDGE FOR INK SENSOR ADJUSTMENT	
(105)	ZA0492001	1	BLACK CARTRIDGES (INCLUDING 100PCS)	
(106)	ZA0495001	1	CYAN CARTRIDGES (INCLUDING 100PCS)	
(107)	ZA0498001	1	MAGENTA CARTRIDGES (INCLUDING 100PCS)	
(108)	ZA0501001	1	YELLOW CARTRIDGES (INCLUDING 100PCS)	
(109)	LK0045001	1	PRINT HEADS HD002 (INCLUDING 10PCS)	
110	UU1486001	1	UNDERFILM L	
111	UU1485001	1	UNDERFILM R	
112	UG5596001	1	GROUNDING WIRE, MFC740	
113	0A5300605	1	SCREW, PAN (S/P WASHER), M3X6	
114	UG5603000	1	FERRITE CORE	
115	UU1506001	1	VC COVER FOR FR	
116	UF5745000	1	MJ COVER, EXT FOR UK/GER/FRA/BEL/NLD/ITA/SWE/GNR	
(117)	LE0019001	1	FERRITE CORE BAG ASSY, MFC740 FOR FRA/NOR/BEL/NLD/CHE/ITA/SWE/GNR	
(118)	UU1518001	1	WASHER, 4	
(119)	UU1513001	1	NCU INSULATION FILM	
(120)	UU1527001	1	FLOPPY DISK ASSY, MFC730 FOR GER	
(120)	LE0419001	1	FLOPPY DISK ASSY, MFC730 FOR UK	
(121)	UU1381001	1	SPONGE A	
(122)	UU1020001	1	BLIND FILM	



To replace those marked with an asterisk(*), you need the special adjustment jig set. If your service center has no special adjustment jig set, you cannot handle those parts as spare parts.

1.MAIN FRAME ATTACHMENT

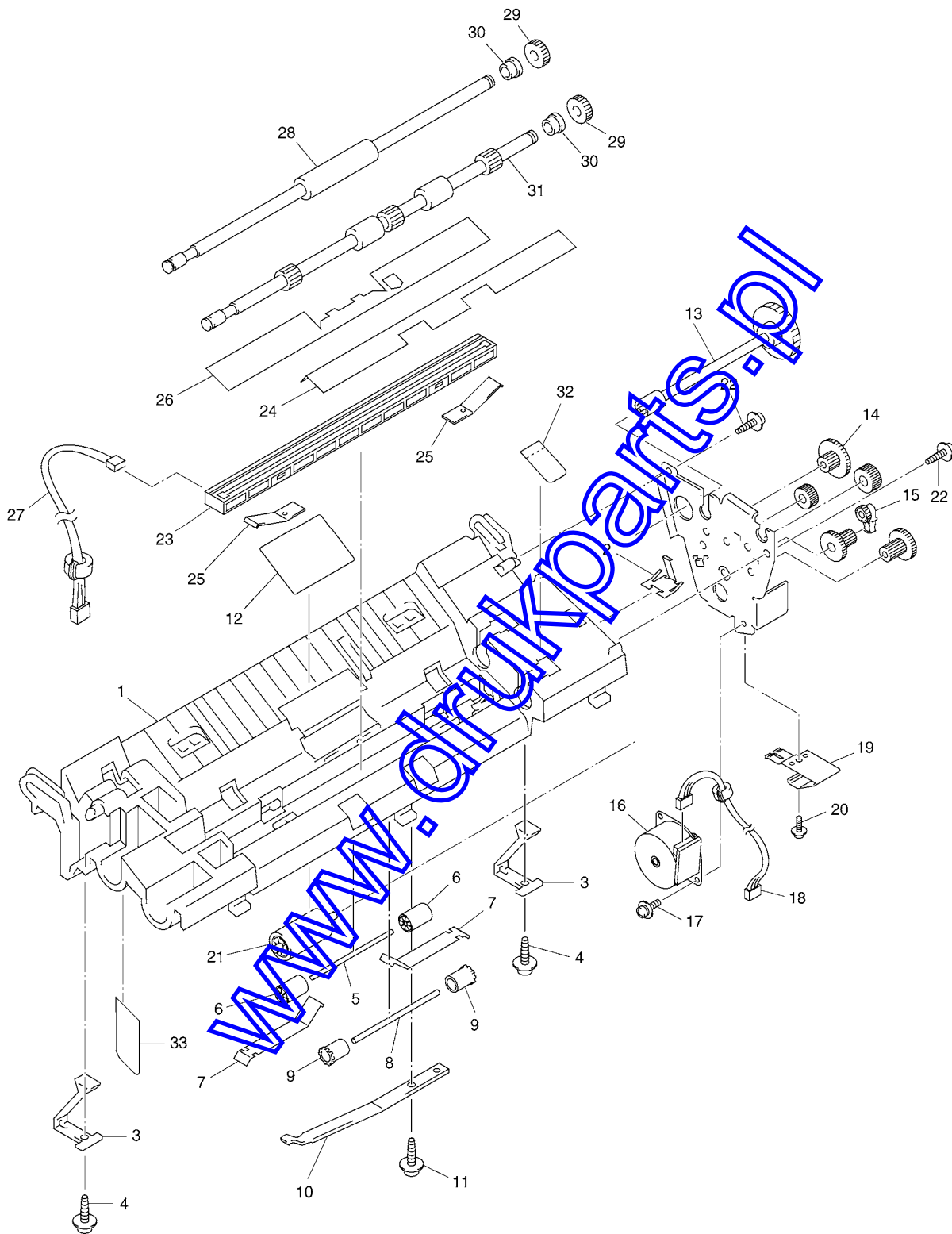
REF.NO.	CODE	Q'TY	DESCRIPTION	REMARKS
*1	UU1493001	1	MAIN FRAME ASSY	
1-1	UU1042001	1	CARRIAGE MOTOR	
1-2	0A5300605	2	SCREW, PAN (S/P WASHER) M3X6	
*1-3	UU1047001	1	PAPER EJECTION ROLLER	
1-4	UU1049001	1	PAPER EJECTION ROLLER GEAR	
*1-5	UU1290001	1	BUSHING	
1-6	0A5260805	1	SCREW, PAN (S/P WASHER) M2.6X8	
1-7	UU1050001	1	PAPER EJECTION IDLE GEAR	
*1-8	LE0159001	1	CARRIAGE ASSY	
1-9	UU1313001	1	INK COLOR LABEL	
*1-10	UU1077001	1	CARRIAGE RAIL	
*1-11	UU1078001	1	ECCENTRIC BUSHING L	
*1-12	UU1079001	1	ECCENTRIC BUSHING R	
1-13	UU1080001	1	RAIL PRESSURE SPRING	
1-14	0A5300805	2	SCREW, PAN (S/P WASHER) M3X8	
1-15	UU1081001	1	IDLE PULLEY HOLDER	
1-16	UD6023000	1	IDLE PULLEY	
1-17	UD6025001	1	IDLE PULLEY SHAFT	
1-18	UU1082001	1	TENSION SPRING	
1-19	UD6014001	1	ENCODER STRIP	
1-20	UD6012001	1	ENCODER STRIP SPRING	
1-21	UU1088001	1	FFC HOLDER	
1-22	UU1286001	1	IDLE PULLEY STOPPER	
1-23	0A5300805	1	SCREW, PAN (S/P WASHER) M3X8	
1-24	UU1107001	1	ANTISTATIC BRUSH	
1-25	UU1476001	2	BUSHING LOCK	
1-26	UG5569000	1	UPPER FLAT CORE	
1-27	UU1459001	1	CORE SUPPORT	
1-28	UU1238001	1	CAUTION LABEL	
*2	UU1089001	1	PAPER FEED ROLLER ASSY	
3	048080345	2	RETAINING RING E8	
4	UU1094001	1	PAPER FEED ROLLER GEAR L	
5	UU1428001	1	IDLE GEAR 72D	
6	UU1096001	1	GEAR FRAME ASSY	
7	UU1105001	1	PAPER FEED IDLE GEAR	
8	UU1275001	1	FE ARM ASSY	
9	087311016	2	TAPTITE, CUP B M3X10	
10	UU1092001	1	SPACER	
11	UU1108001	1	STAR WHEEL HOLDER ASSY	
12	UU1111001	3	PAPER PRESSURE HOLDER ASSY	
13	UU1115001	5	PRESSURE HOLDER SPRING	
14	UU1116001	1	PLATEN	
15	UU1117001	1	PLATEN FRAME	
16	087320616	1	TAPTITE, CUP S M3X6	
17	UU1119001	1	PURGE LEVER COVER	
18	UU1120001	1	GEAR COVER	
19	087320616	1	TAPTITE, CUP S M3X6	
20	UU1381001	1	SPONGE A	
21	UU1315001	1	FLUSHING SUPPORT PLATE	

To replace those marked with an asterisk(*), you need the special adjustment jig set. If your service center has no special adjustment jig set, you cannot handle those parts as spare parts.

1.MAIN FRAME ATTACHMENT

REF.NO.	CODE	Q'TY	DESCRIPTION	REMARKS
22	UU1418001	1	PAPER PRESSURE HOLDER L	
23	UU1419001	1	PAPER PRESSURE HOLDER R	
24	UU1452001	1	PAPER FEED MOTOR ASSY	
25	UU1465001	1	MOTOR SHIELD	
26	0A5300805	2	SCREW, PAN (S/P WASHER) M3X8	
27	UU1446001	1	PF TIMING BELT	
28	UU1450001	1	TENSION PLATE ASSY	
29	UU1444001	1	TENSION SPRING	
30	048030345	1	RETAINING RING, E3	
31	048040345	1	RETAINING RING, E4	
32	0A5300805	1	SCREW, PAN (S/P WASHER) M3X8	
*33	UU1502001	1	PURGE UNIT ASSY	
*34	0A5300605	2	SCREW, PAN (S/P WASHER) M3X6	
35	UU1152001	1	GROUNDING PLATE	
36	087320616	1	TAPTITE, CUP S M3X6	
37	UG5577000	1	LOWER FLAT CORE	
38	087411216	2	TAPTITE, CUP B M4X12	
39	087320616	2	TAPTITE, CUP S M3X6	
40	087411216	2	TAPTITE, CUP B M4X12	
41	087320616	1	TAPTITE, CUP S M3X6	
42	UU1375001	1	COATING CLIP	
43	087320616	1	TAPTITE, CUP S M3X6	
44	UU1196001	1	GROUNDING PLATE R	
45	087411216	1	TAPTITE, CUP B M4X12	
46	087320616	2	TAPTITE, CUP S M3X6	
47	UU1046001	1	COVER LOCK LEAF SPRING	
48	0A5300605	1	SCREW, PAN (S/P WASHER) M3X6	
49	UU1217001	1	FRAME COVER, WHITE (M38)	
50	UU1235001	1	INK REPLACE INSTRUCTION LABEL	
51	ZA0424001	1	HEAD FILTER SEALS (INCLUDING 10PCS)	
52	ZA0423001	1	HEAD NOZZLE SEALS (INCLUDING 10PCS)	

www.crukparts.pl



To replace those marked with an asterisk(*), you need the special adjustment jig set. If your service center has no special adjustment jig set, you cannot handle those parts as spare parts.

2.SCANNER FRAME ATTACHMENT

REF.NO.	CODE	Q'TY	DESCRIPTION
1	UU7002001	1	SCANNER FRAME
2	UU7012001	1	CIS SIDE SPRING
3	UU7013001	2	CONTROL PANEL LOCK LEAF SPRING
4	087310815	2	TAPTITE, CUP B M3X8
5	UF4369000	1	PINCH ROLLER SHAFT
6	UF9009001	2	PRESSURE ROLLER
7	UU7032001	2	PRESSURE ROLLER LEAF SPRING
8	UF4369000	1	PINCH ROLLER SHAFT
9	UL6244002	2	PINCH ROLLER
10	UU7033001	1	PINCH ROLLER LEAF SPRING
11	087310815	1	TAPTITE, CUP B M3X8
12	UU7364001	1	ADF FILM
13	UU7030001	1	SEPARATIONROLLER GEAR
14	UU1013001	1	GEAR 19/72
15	UU7026001	1	ARM ASSY
16	UU7024001	1	SCANNER MOTOR
17	0A4300605	1	SCREW, PAN (S/P WASHER) M3X6
18	UG5551001	1	SCANNER MOTOR HARNESS
19	UU1021001	1	SCANNER GROUNDING LEAF SPRING
20	087320616	1	TAPTITE, CUP S M3X6
21	UU7031001	1	SPARATION ROLLER
22	087310815	2	TAPTITE, CUP B M3X8
23	UG5552001	1	CIS UNIT, COLOR
24	UU1478001	1	CIS SHIELED FILM 2
25	UU7035001	2	CIS LEAF SPRING
26	UU7036001	1	CIS FILM
27	UG5554001	1	CIS HARNESS
28	UU7037001	1	DOCUMENT FEED ROLLER
29	UU7039001	2	DOCUMENT FEED ROLLER GEAR
30	UU7284001	2	BUSHING
31	UU1479001	1	DOCUMENT EJECTION ROLLER
32	UF7187001	1	GEAR SHIELD FILM
33	UU1507001	1	HARNES STOPPER

www.druckparts.pl

brother

www.drukparts.pl