



**FACSIMILE EQUIPMENT  
PARTS REFERENCE LIST**

**MODEL: MFC590**

**( For Germany / United Kingdom / France /  
Belgium / Netherlands /  
Switzerland / Ireland / Denmark /  
Austria / Spain / Italy / Euro Generic /  
Pan Nordic)**

[www.drukparts.nl](http://www.drukparts.nl)

[www.drukparts.pl](http://www.drukparts.pl)

© Copyright Brother 2001

All rights reserved

No part of this publication may be reproduced in any form or by any means without permission in writing from the publisher.

Specifications are subject to change without prior notice.

## NOTES FOR USING THIS PARTS REFERENCE LIST

1. In the case of ordering parts, it needs mentioning the following items:

- (1) Code
- (2) Q' ty
- (3) Description

Note: No orders without Parts Code or Tool No. can be accepted.

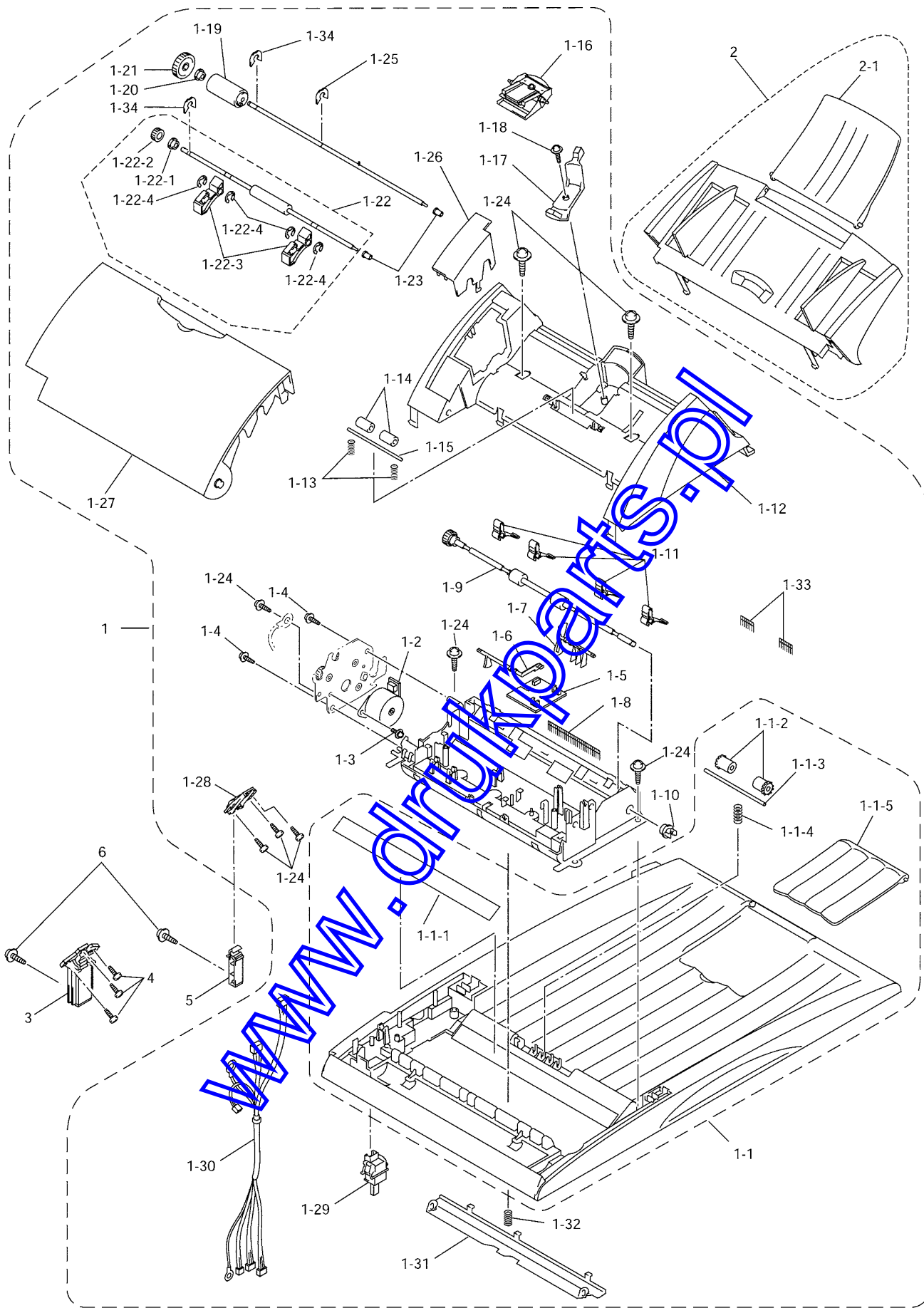
[Example]

	(1)	(2)	(3)		
REF.NO.	CODE	Q' TY	DESCRIPTION	RECOMMEND	REMARKS

2. Parts change will be informed by the technical information

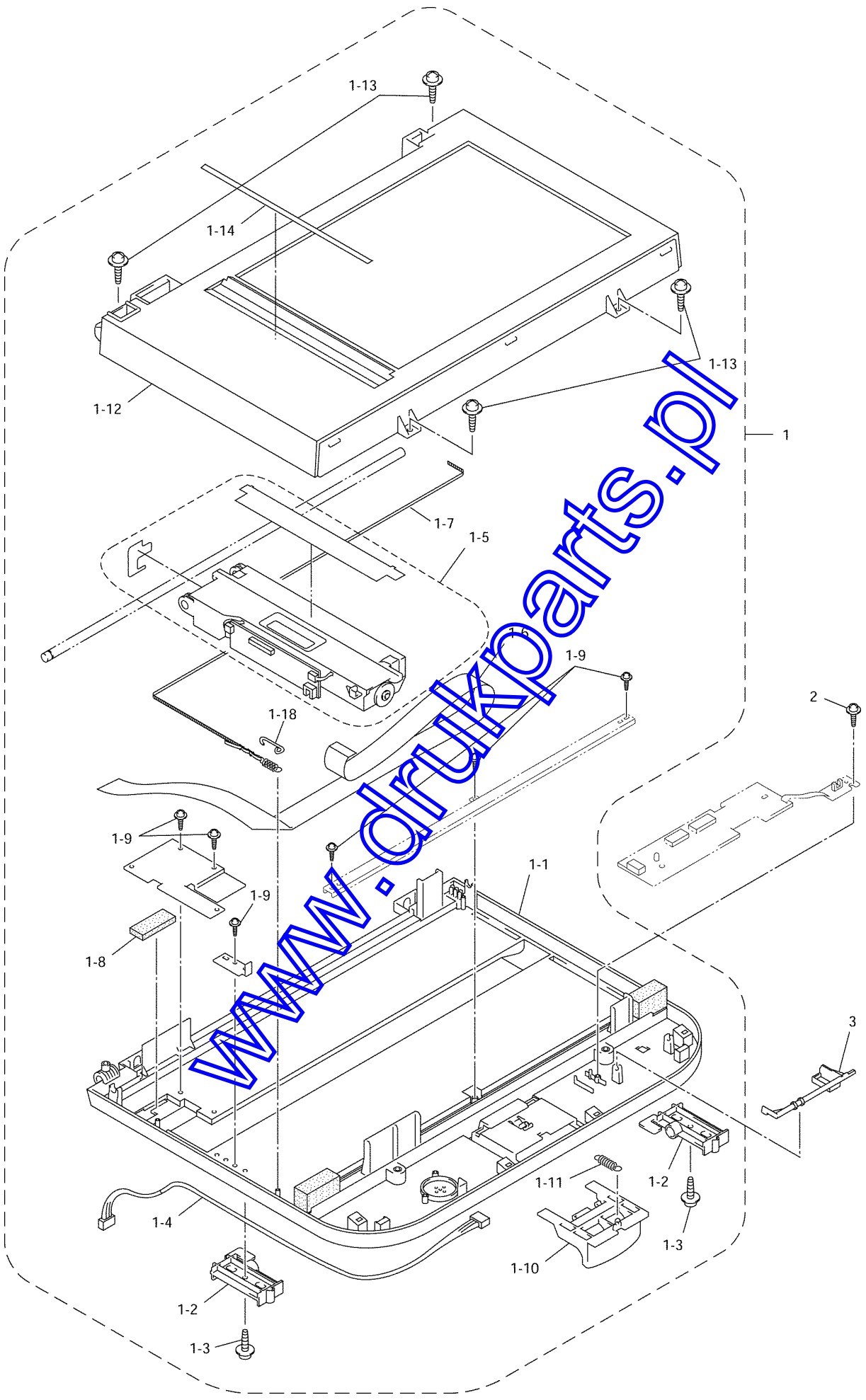
### COUNTRIES

- GERMANY ---- GER
- UNITED KINGDOM ---- UK
- FRANCE ---- FRA
- BELGIUM ---- BEL
- NETHERLANDS ---- NLD
- SWITZERLAND ---- CHE
- IRELAND ---- IRE
- DENMARK ---- DEN
- AUSTRIA ---- AUS
- SPAIN ---- SPA
- ITALY ---- ITA
- EURO GENERIC ---- QNR
- PAN NORDIC ---- NOR



## LIST1(ADF)

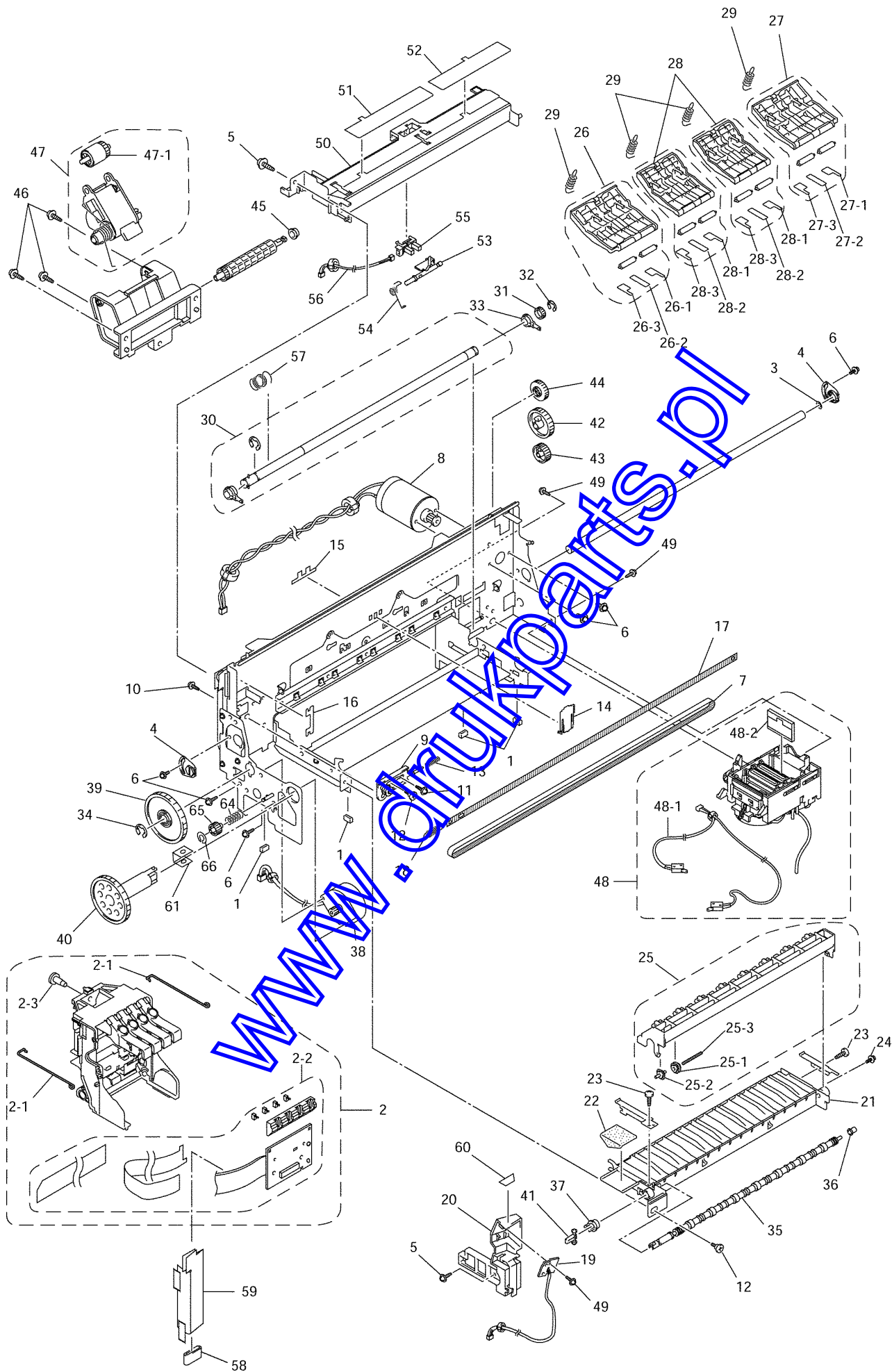
REF.No.	CODE	Q'TY	DESCRIPTION	RECOMMEND	REMARKS
1	LE6867001	1	ADF/DOCUMENT TRAY ASSY	1	
1-1	LE9437001	1	DOCUMENT TRAY		
1-1-1	LE6205001	1	CHUTE FILM ASSY		
1-1-2	UL6244002	2	PINCH ROLLER		
1-1-3	LE2471001	1	PINCH ROLLER SHAFT		
1-1-4	LE6206001	1	PINCH ROLLER SPRING		
1-1-5	LE6207001	1	DOCUMENT STOPPER		
1-2	LE6214001	1	ADF MOTOR		
1-3	0A4300605	1	SCREW, PAN WASHER M3X6		
1-4	087310815	2	TAPTITE, CUP B M3X8		
1-5	LG3216001	1	DOCUMENT SENSOR PCB ASSY		
1-6	LE6219001	1	DOCUMENT REAR SENSOR ACTUATOR		
1-7	LE6220001	1	DOCUMENT FRONT SENSOR ACTUATOR		
1-8	LE6221001	1	ANTI-STATIC BRUSH		
1-9	LE6222001	1	DOCUMENT EJECTION ROLLER ASSY		
1-10	UF0026001	1	PAWLED BUSHING		
1-11	LE6334001	4	DOCUMENT GUIDE CLIP		
1-12	LE6226001	1	UPPER ADF CHUTE		
1-13	LE2472001	2	PRESSURE ROLLER SPRING		
1-14	UF9009001	2	PRESSURE ROLLER		
1-15	LE2471001	1	PRESSURE ROLLER SHAFT		
1-16	LE6345001	1	SEPARATION RUBBER UNIT		
1-17	LE6330001	1	ADF THICKNESS ADJUSTER		
1-18	UF5034001	1	TAPTITE, B M3X6		
1-19	LE2037001	1	SEPARATION ROLLER		
1-20	LE6494001	1	BUSHING		
1-21	LE6230001	1	SEPARATION ROLLER GEAR		
1-22	LE6233001	1	DOCUMENT FEED ROLLER ASSY		
1-22-1	LE6494001	1	BUSHING		
1-22-2	LE6495001	1	DOCUMENT FEED ROLLER GEAR		
1-22-3	LE6492001	2	DOCUMENT FEED PAPER CHUTE		
1-22-4	048050346	4	RETAINING RING		
1-23	UF9949001	2	BUSHING S (SEPARATION ROLLER, FEED ROLLER)		
1-24	087311016	8	TAPTITE, CUP B M3X10		
1-25	048050346	1	RETAINING RING E5		
1-26	LE6236001	1	GEAR COVER, GRAY(1495)		
1-27	LE6237001	1	ADF COVER, GRAY(1495)		
1-28	LE6245001	1	HINGE ARM		
1-29	LG3218001	1	DOCUMENT TRAY OPEN SENSOR		
1-30	LG3219001	1	ADF MOTOR SENSOR HARNESS ASSY		
1-31	LE9010001	1	DOCUMENT PRESSURE BAR		
1-32	LE6218001	1	SPRING		
1-33	LE6609001	2	ANTI-STATIC BRUSH S		
1-34	LE2537001	2	PLASTIC RETAINING RING		
2	LE6246001	1	DOCUMENT GUIDE BASE		
2-1	LE6250001	1	DOCUMENT SUPPORT, CLEAR PURPLE(6342)		
3	LE6238001	1	HINGE L		
4	087311016	3	TAPTITE, CUP B 3X10		
5	LE6244001	1	HINGE BASE R		
6	085411216	2	TAPTITE, BIND B M4X12		



## LIST2(SCANNER)

REF.No.	CODE	Q'TY	DESCRIPTION	RECOMMEND	REMARKS
1	LE9351001	1	SCANNER UNIT (SP)	√	
1-1	LE9314001	1	SCANNER BASE, GRAY(1495)		
1-2	LE6253001	2	FRONT COVER CONNECTOR		
1-3	087411216	2	TAPTITE, CUP B M4X12		
1-4	LG3233001	1	PANEL HARNESS		
1-5	LF2492001	1	CCD UNIT (SP)		CHG
1-6	LE6351001	1	CCD FLAT CABLE		
1-7	LE6353001	1	CCD DRIVE BELT ASSY		
1-8	LE6260001	1	SPONGE		
1-9	087310816	6	TAPTITE, CUP B M3X8		
1-10	LE9255001	1	SCANNER OPEN LEVER		
1-11	LE6264001	1	LEVER SPRING		
1-12	LE6267001	1	SCANNER TOP COVER ASSY		
1-13	087411216	4	TAPTITE, CUP B M4X12		
<del>1-14</del>	<del>LE8107001</del>	4	<del>CCD PROTECTOR R</del>		del
<del>1-15</del>	<del>LE8108001</del>	4	<del>CCD PROTECTOR F</del>		del
1-1614	LE6355001	1	DOCUMENT SET LABEL		
<del>1-1715</del>	<del>LE7947001</del>	4	<del>BELT STOPPER</del>		del
1-18	LE9433001	1	BELT HOLDING SPRING		add
2	087310815	1	TAPTITE, CUP B M3X8		
3	LE2095001	1	SCANNER OPEN SENSOR ACTUATOR		

www.drukparts.pl





## LIST3(ENGINE)

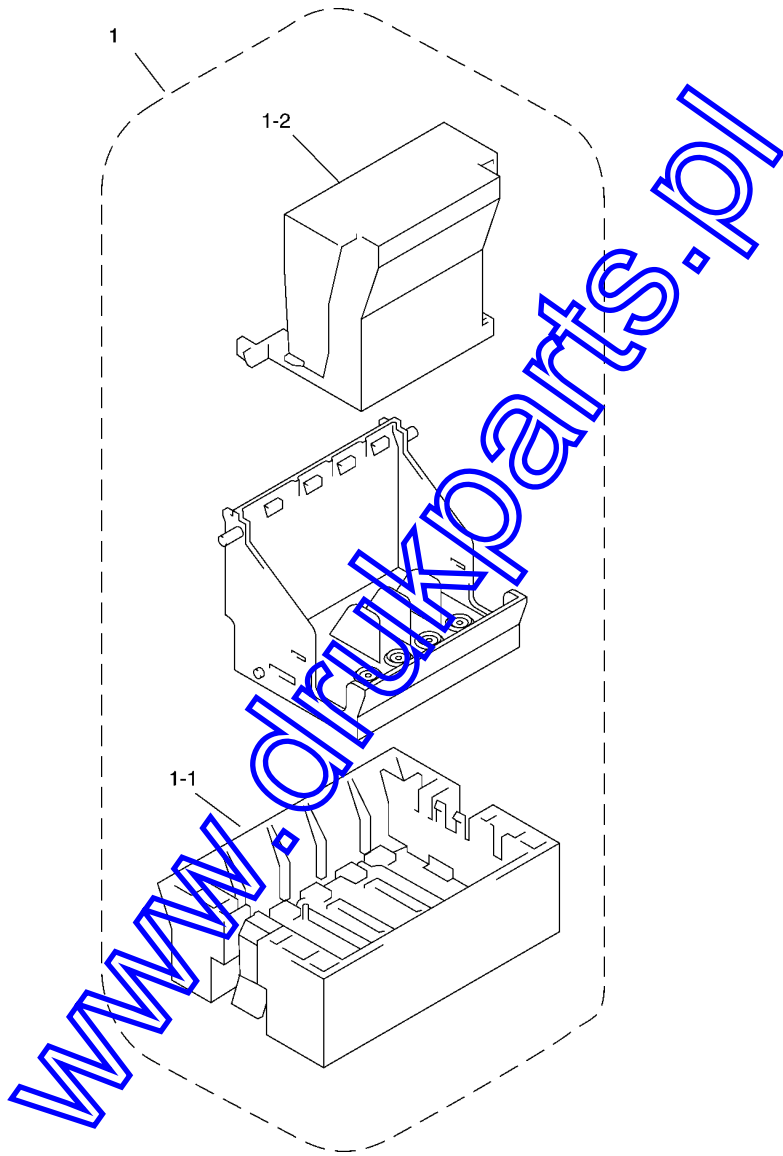
REF No.	CODE	Q'TY	DESCRIPTION	RECOMMEND	REMARKS
1	LE6053001	4	VIBRATION ABSORBER		
2	LE6198001	1	CARRIAGE ASSY		
2-1	LE6062001	2	HEAD CLAMP SPRING		
2-2	LE6715001	1	CARRIAGE PCB ASSY	√	
2-3	LE6911001	1	STOPPER PIN		add
3	LE6421001	1	WAVY WASHER		
4	LE6722001	2	ECCENTRIC BUSHING		
5	087320616	2	TAPTITE, CUP S M3X6		
6	0A5300605	4	SCREW, PAN (S/P WASHER) M3X6		
7	LE6074001	1	TIMING BELT		
8	LE6434001	1	CARRIAGE MOTOR		
9	LE6424001	1	IDLE PULLEY HOLDER ASSY		
10	087320616	1	TAPTITE, CUP S M3X6		
11	0A5300805	1	SCREW, PAN (S/P WASHER) M3X8		
12	UF9823001	2	SHOULDER SCREW		
13	LE3171001	1	PULLEY SPRING		
14	LE6078001	1	FLAT CABLE CLAMP		
15	LE6571001	1	CABLE CLAMP STOPPER		
16	LE6152001	1	FFC CLAMP FILM		
17	LE6425001	1	ENCODER STRIP		
18	UD6012001	1	ENCODER STRIP SPRING		
19	LG3124001	1	INK EMPTY SENSOR PCB		
20	LE6081001	1	SENSOR SUPPORT		
21	LE6082001	1	PLATEN		
22	LE6385001	1	FLUSHING SPONGE		
23	085271015	2	TAPTITE, BIND B M2.6X10		
24	085311015	1	SCREW, BIND B TITE 3X10		
25	LE6430001	1	STAR WHEEL SUPPORT ASSY		
25-1	LE6504001	7	STAR WHEEL W		
25-2	LE6805001	8	STAR WHEEL B		
25-3	LE6107001	7	STAR WHEEL SPRING		
26	LE6874001	1	PAPER PRESSURE HOLDER L ASSY		
26-1	LE6875001	1	PAPER PRESSURE HOLDER FILM A		
26-2	LE6876001	1	PAPER PRESSURE HOLDER FILM B		
26-3	LE6392001	1	PAPER PRESSURE HOLDER FILM C		
27	LE6877001	1	PAPER PRESSURE HOLDER R ASSY		
27-1	LE6875001	1	PAPER PRESSURE HOLDER FILM A		
27-2	LE6876001	1	PAPER PRESSURE HOLDER FILM B		
27-3	LE6392001	1	PAPER PRESSURE HOLDER FILM C		
28	LE6878001	2	PAPER PRESSURE HOLDER M ASSY		
28-1	LE6875001	1	PAPER PRESSURE HOLDER FILM A		
28-2	LE6876001	1	PAPER PRESSURE HOLDER FILM B		
28-3	LE6392001	1	PAPER PRESSURE HOLDER FILM C		
29	LE6090001	4	SPRING		
*30	LE6091003	1	PAPER FEED ROLLER ASSY, RED (INCLUDING PF BUSHING L)		
*30	LE6091004	1	PAPER FEED ROLLER ASSY, BLUE (INCLUDING PF BUSHING L)		
31	LE6093001	1	PF ROLLER GEAR R		
32	LE6121001	1	RETAINING RING, EXTERNAL C5		
33	LE6095001	1	PF BUSHING R		
34	LE6122001	1	RETAINING RING, EXTERNAL C8		
35	LE6096001	1	PAPER EJECTION ROLLER ASSY		
36	UU1290001	1	BUSHING		
37	UF9949001	1	PAWLED BUSHING		
38	LE6489001	1	PAPER FEED MOTOR ASSY		
39	LE6101001	1	PF ROLLER GEAR		
40	LE6103001	1	PAPER EJECTION ROLLER GEAR		
41	LE6104001	1	PAPER EJECTION JOINT		
42	UF8034001	1	GEAR, 39		
43	LE9268001	1	GEAR, 25M		
44	LE6109001	1	GEAR, 31 MF		
45	UF8105001	1	BUSHING		
46	087320616	3	TAPTITE, CUP S M3X6		
47	LE6576001	1	ASF ROLLER ASSY		
47-1	LE3432001	1	ASF ROLLER		
48	LE6002001	1	PURGE UNIT ASSY	√	
48-1	LG3083001	1	PURGE SWITCH HARNESS		
48-2	LE6472001	1	PURGE FOAM		
49	087310815	3	TAPTITE, CUP B M3X8		
50	LE6134001	1	PAPER CHUTE		
51	LE6393001	1	CHUTE FILM L		
52	LE6394001	1	CHUTE FILM R		
53	LE3194001	1	REGISTRATION SENSOR ACTUATOR		
54	LE6153001	1	ACTUATOR SPRING		

## LIST3(ENGINE)

REF No.	CODE	Q'TY	DESCRIPTION	RECOMMEND	REMARKS
55	LG2239001	1	REGISTRATION SENSOR		
56	LG3156001	1	REGISTRATION SENSOR HARNESS		
57	LE6356001	1	PF SPRING		
58	UG5569000	1	FLAT CORE		
59	LE6438001	1	FLAT CABLE GUIDE		
60	----		NOT USED		
61	LE6626001	1	SUPPORT SPRING		
62	0A5300805	2	SCREW, PAN (S/P WASHER) M3X6		
63	LE6863001	1	CHUTE FILM		add
64	LE6376001	1	IDLE GEAR SPRING		add
65	LE6857001	1	IDOL GEAR		add
66	LE6858001	1	POLYSLIDER WASHER		add

\* You have to use the same color spare part with the original part for the replacement.

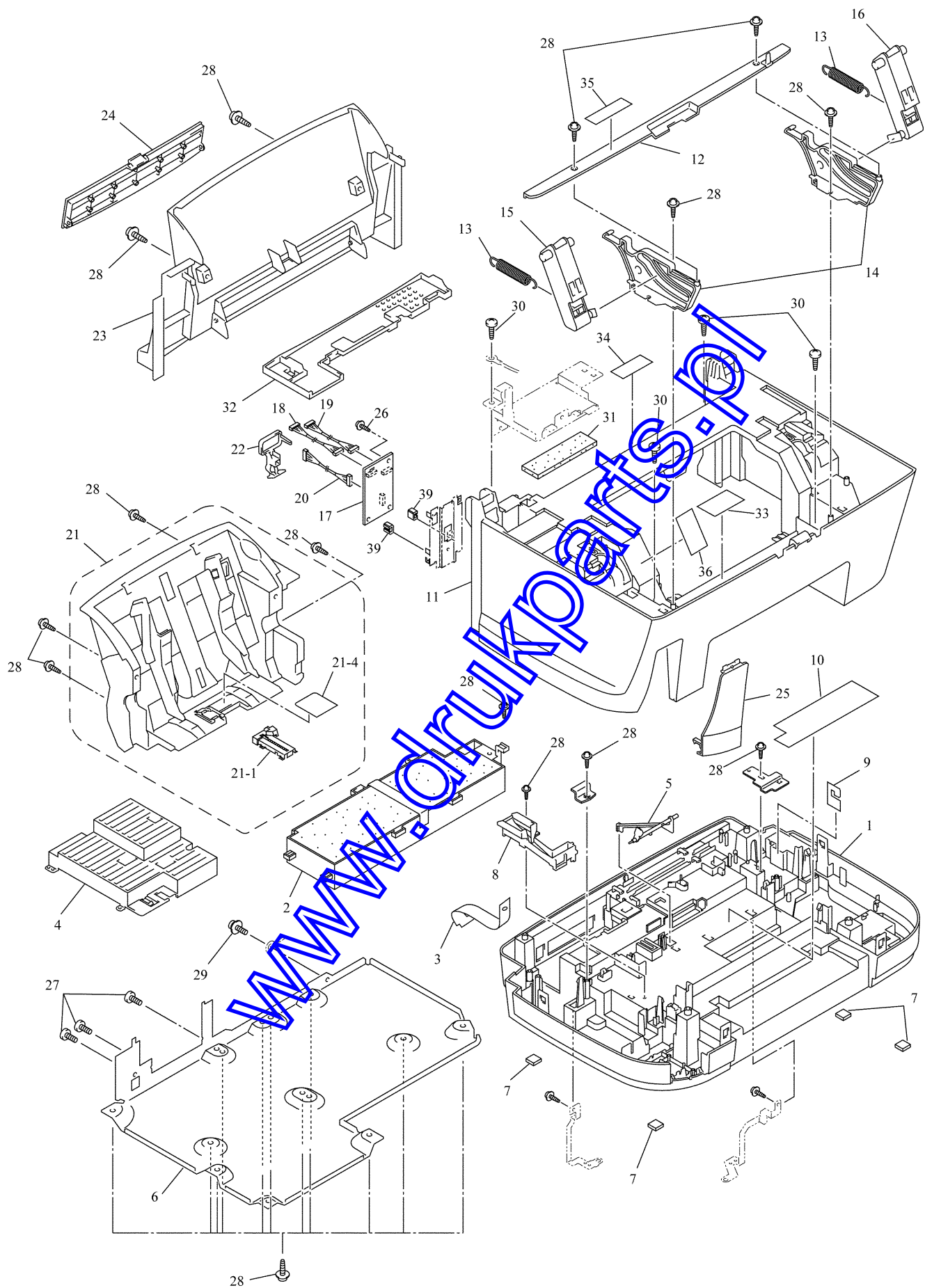
[www.drukparts.pl](http://www.drukparts.pl)



## LIST4(HEAD UNIT)

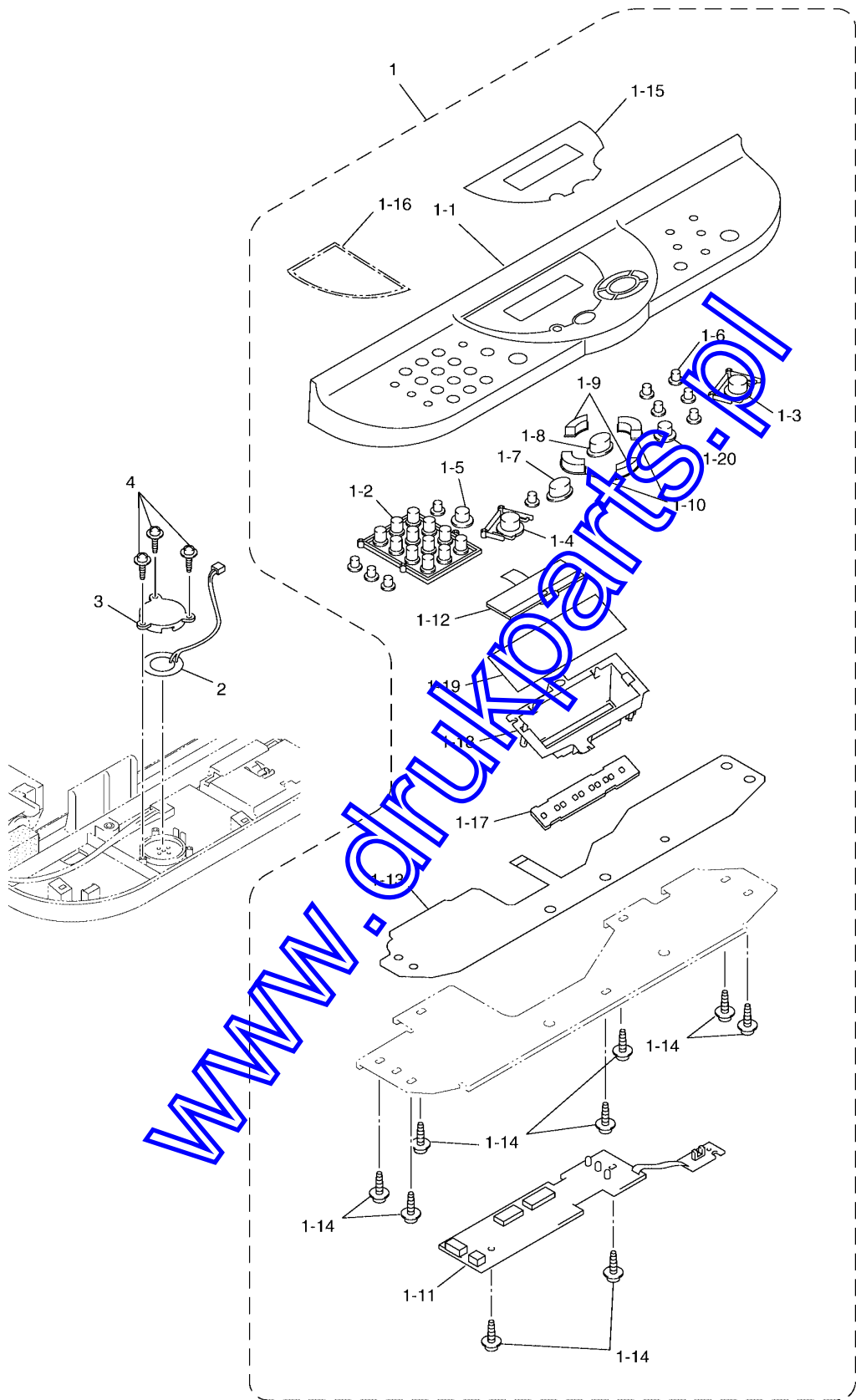
REF.No	CODE	Q'TY	DESCRIPTION	RECOMMEND	REMARKS
1	LK0935001	1	PRINT HEAD UNIT(SP)	√	CHG
1-1	LK0516001	1	HEAD NOZZLE SEAL 2(SP)	√	
1-2	LK0536001	1	HEAD FILTER SEAL(SP)	√	

[www.drukparts.pl](http://www.drukparts.pl)



## LIST5(COVER)

REF.No	CODE	Q'TY	DESCRIPTION	RECOMMEND	REMARKS
1	LE6441001	1	LOWER COVER, GRAY(1495)		
2	LE6272001	1	INK ABSORBER BOX ASSY		
3	LE6475001	1	SHIELD FILM		
4	LE6156001	1	ENCLOSURE COVER		
5	LE6278001	1	PAPER WIDTH SENSOR ACTUATOR		
6	LE6277001	1	BOTTOM PLATE		
7	UD4019001	4	RUBBER FOOT		
8	LE6550001	1	FLUSHING GUTTER ASSY		
9	LE6581001	1	HARNESS FILM		
10	LE6573001	1	INK FORM FB		
11	LE6280001	1	MAIN COVER		
12	LE6331001	1	EDGE COVER		
13	LE6282001	2	SCANNER LINK SPRING		
14	LE6283001	2	SCANNER LINK GUIDE		
15	LE6284001	1	SCANNER LINK L		
16	LE6285001	1	SCANNER LINK R		
17	LG3223001	1	RELAY PCB ASSY	√	
18	LG3227001	1	RELAY HARNESS 1(12PIN)		
19	LG3228001	1	RELAY HARNESS 2(11PIN)		
20	LG3229001	1	RELAY HARNESS 3(9PIN)		
21	LE6286001	1	AUTO SHEET FEEDER ASSY		
21-1	LE6903001	1	SEPARATION PAD ASSY		chg
<del>21-2</del>	<del>LE3255004</del>	<del>4</del>	<del>PAD HOLDER</del>		del
<del>21-3</del>	<del>LE3434004</del>	<del>4</del>	<del>CAP</del>		del
21-4	LE6442001	1	AUTO SHEET FEEDER FILM		
<del>21-5</del>	<del>LE6618004</del>	<del>4</del>	<del>RUBBER</del>		del
<del>21-6</del>	<del>LE6908004</del>	<del>4</del>	<del>GUIDE CAP</del>		del
22	LE6457001	1	RELAY PCB COVER		
23	LE6289001	1	REAR COVER, GRAY(1495)		
24	LE3282001	1	JAM CLEAR COVER, GRAY(1495)		
25	LE6290001	1	MEDIA COVER, GRAY(1495)		
26	087320615	2	SCREW, CUP S TITE 3X6		
27	002300616	3	SCREW, PAN M3X6		
28	087311216	25	TAPTITE, CUP B M3X12		
29	UF6559001	1	SCREW, PAN (WASHER) M4X8DB		
30	085411616	4	TAPTITE, BIND B M4X16		
31	LE6357001	1	SPONGE FFC		
32	LE6491001	1	INNER COVER		
33	LE6160001	1	INK REPLACE INSTRUCTION LABEL		
34	LE6525001	1	JAM MARK LABEL		
35	LE6649001	1	CONSUMABLES LABEL		
36	LE6861001	1	INK SET INSTRUCTION LABEL		
(37)	UU0456001	1	PROTECTION PAPER		
(38)	UF5745000	1	MJ COVER FOR GER/UK/FRA/BEL/DEN/AUS/ITA		CHG
39	LE6910001	1	RELAY PCB STOPPER		

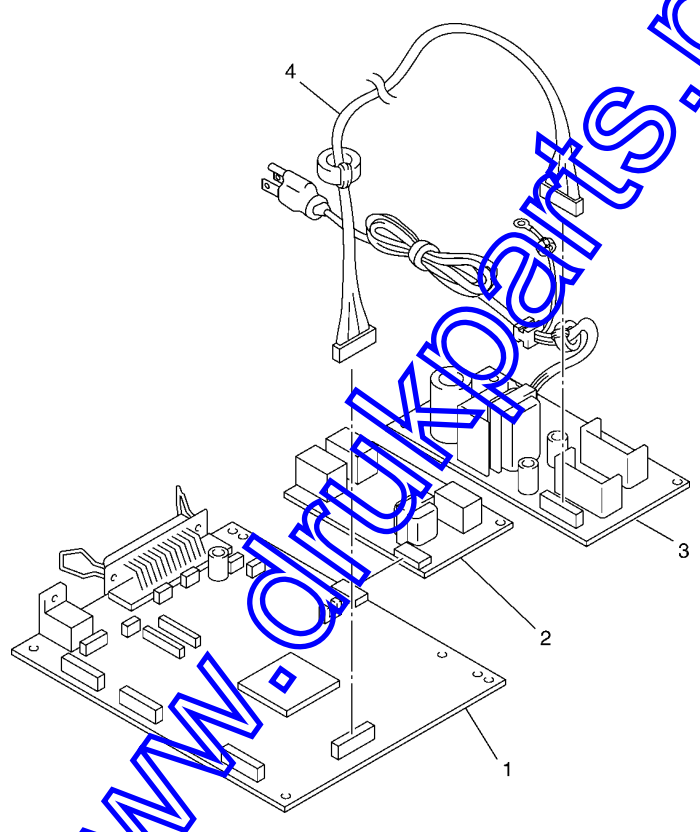


## LIST6(PANEL)

REF.No	CODE	Q'TY	DESCRIPTION	RECOMMEND	REMARKS
1	LE6377001	1	CONTROL PANEL ASSY, MFC590 FOR GER	√	
1	LE6380001	1	CONTROL PANEL ASSY, MFC590 FOR UK/BEL/CHE/IRE/GNR	√	
1	LE6382001	1	CONTROL PANEL ASSY, MFC590 FOR FRA	√	
1	LE6731001	1	CONTROL PANEL ASSY, MFC590 FOR NLD	√	
1	LE6739001	1	CONTROL PANEL ASSY, MFC590 FOR DEN/NOR	√	
1	LE6745001	1	CONTROL PANEL ASSY, MFC590 FOR SPA	√	
1	LE6750001	1	CONTROL PANEL ASSY, MFC590 FOR ITA	√	
1-1	LE6378001	1	CONTROL PANEL, MFC590 FOR GER		
1-1	LE6381001	1	CONTROL PANEL, MFC590 FOR UK/BEL/CHE/IRE/GNR		
1-1	LE6383001	1	CONTROL PANEL, MFC590 FOR FRA		
1-1	LE6732001	1	CONTROL PANEL, MFC590 FOR NLD		
1-1	LE6740001	1	CONTROL PANEL, MFC590 FOR DEN/NOR		
1-1	LE6746001	1	CONTROL PANEL, MFC590 FOR SPA		
1-1	LE6751001	1	CONTROL PANEL, MFC590 FOR ITA		
1-2	LE3431001	1	KEY, TEN, GRAY(1495)		
1-3	LE9228001	1	KEY, COLOR COPY, GREEN(5159)		
1-4	LE9228003	1	KEY, BLACK FAX START, GRAY(1496)		
1-5	LE6171005	1	KEY, COLOR FAX START, GRAY(1496)		
1-6	LE3295001	10	KEY, CYLINDER 6, GRAY(1495)		
1-7	LE6170002	1	KEY, STOP, PINK(2205)		
1-8	LE6350001	1	KEY, MENU FOR GER		
1-8	LE6079001	1	KEY, MENU FOR UK/FRA/BEL/NLD/CHE/IRE/DEN/AUS/SPA/ITA/GNR/NOR		
1-9	LE6168001	2	KEY, CURSOR L, PURPLE(6255)		
1-10	LE6169001	2	KEY, CURSOR S, PURPLE(6255)		
1-11	LG3665001	1	CONTROL PANEL PCB ASSY, MFC590		
1-12	LG3393001	1	LCD		
1-13	LG5639001	1	FPC KEY		CHG
1-14	087310615	9	TAPTITE, CUP B M3X6		
1-15	LE6379001	1	LCD SHEET	√	
1-16	----		NOT USED		
1-17	LG3682001	1	BACK LIGHT PCB ASSY		
1-18	LE6628001	1	BACK LIGHT HOLDER		
1-19	LE6629001	1	BACK LIGHT FILM		
1-20	LE6171003	1	KEY, BLACK COPY, PURPLE(6255)		
2	LG3221001	1	PIEZO RINGER ASSY		
3	LE6172001	1	PIEZO RINGER CAP		
4	087310815	3	TAPTITE, CUP B M3X8		



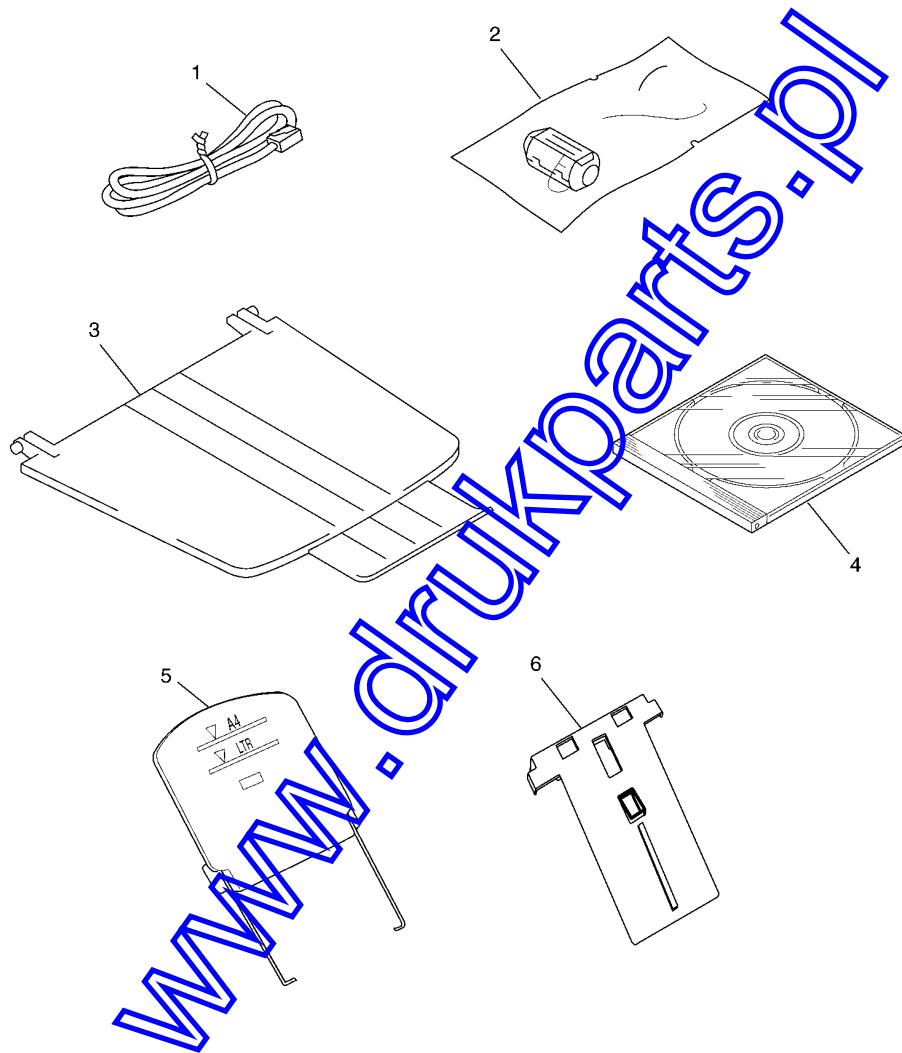
www.drukarts.pl



## LIST7(PCB)

REF.NO	CODE	Q'TY	DESCRIPTION	RECOMMEND	REMARKS
1	LG4253021	1	MAIN PCB ASSY	1	
2	LG4207004	1	NCU PCB ASSY	1	
3	LG3666001	1	POWER SUPPLY PCB ASSY	1	
4	LG3154001	1	POWER SUPPLY HARNESS		

[www.drukparts.pl](http://www.drukparts.pl)



LIST8(Accessories)

REF.No	CODE	Q'TY	DESCRIPTION	RECOMMEND	REMARKS
1	UG3625001	1	TELEPHONE LINE CORD FOR GER		
1	UG3626001	1	TELEPHONE LINE CORD FOR UK		
1	UG3627001	1	TELEPHONE LINE CORD FOR FRA		
1	UG1575001	1	TELEPHONE LINE CORD FOR BEL		
1	LG3077001	1	TELEPHONE LINE CORD FOR NLD/IRE/SPA/GNR		
1	UG3469000	1	TELEPHONE LINE CORD FOR CHE		
1	UG3633001	1	TELEPHONE LINE CORD FOR DEN		CHG
1	<del>LG4566001</del>	<del>1</del>	<del>TELEPHONE PLUG FOR DEN</del>		DEL
1	UG4205001	1	TELEPHONE LINE CORD FOR AUS		
1	UG3634001	1	TELEPHONE LINE CORD FOR ITA		
1	UG3629001	1	TELEPHONE LINE CORD FOR NOR (NORWAY)		
1	UG3635001	1	TELEPHONE LINE CORD FOR NOR (SWEDEN)		
1	UG3632001	1	TELEPHONE LINE CORD FOR NOR (FINLAND)		
2	LE0019001	1	FERRITE CORE BAG ASSY FOR FRA/BEL/NLD/CHE/DEN/SPA/ITA/NOR		
3	LE6398001	1	PAPER EJECT TRAY ASSY, GRAY(1495)		
4	LE6632001	1	CD-ROM ASSY<GERMAN/ENGLISH/FRENCH>, MFC590 FOR GER/UK/FRA/BEL/CHE/IRE/AUS		
4	LE6708001	1	CD-ROM ASSY<DUTCH/FRENCH/ITALIAN/SPANISH>, MFC590 FOR BEL/NLD/SPA/ITA		
4	LE6711001	1	CD-ROM ASSY <ENGLISH/NORWEGIAN/DANISH/SWEDISH>, MFC590 FOR DEN/GNR/NOR		
5	LE6822001	1	TRAY EXTENSION		
6	LE6807001	1	SP ATTACHMENT BAG ASSY		
(7)	ZA0310001	1	HEAD CLEANER STICK ASSY(SP)		
(8)	LK0504001	1	GLYCEROL CLEANING FLUID(SP) (INCLUDING 120CC FLUID IN A BOTTLE AND SYRINGE)		
(9)	LE6455001	1	FORM EMPTY CARTRIDGE(SP) (FOR INK EMPTY SENSOR COMPENSATION)		
(10)	UF9258001	1	COLOR TEST CHART CTC-001		
(11)	LK0505001	1	INITIAL LIQUID CARTRIDGE ASSY(SP)	√	
(12)	UF4600001	1	CONTRAST CHART TC-023		
(13)	---		NOT USED		
(14)	LG2085001	1	AC CORD ASSY FOR GER/FRA/BEL/NLD/AUS/SPA/ITA/GNR/NOR/SWE	√	
(14)	LG2086001	1	AC CORD ASSY FOR UK/IRE (BS)	√	
(14)	LG2087001	1	AC CORD ASSY FOR CHE (SEV)	√	
(14)	LG2181001	1	AC CORD ASSY FOR DEN (DEMCS)	√	
(15)	UG4558001	1	I/F CABLE FOR GER/UK/IRE/AUS/GNR		
(16)	----		N/A		
(17)	UF8263001	1	TEST CHART TC-027		
(18)	LE6915001	1	CD-ROM ASSY XP, FOR GER/UK/FRA/CHE/IRE/AUS		add
(18)	LE6916001	1	CD-ROM ASSY XP, FOR BEL/NLD/SPA/ITA		add
(18)	LE6017001	1	CD-ROM ASSY XP, FOR DEN/GNR/NOR		add

www.druckparts.pl

LIST9(PRINTED MATERIAL)

REF.No	CODE	Q'TY	DESCRIPTION	RECOMMEND	REMARKS
(1)	LE6829003	1	OWNER'S MANUAL ASSY, MFC590 FOR GER/AUS (INCLUDING OWNER'S MANUAL(REF. No.(1-1), WARRANTY CARD, LICENSE AGREEMENT SHEET, TRAY EXTENSION(REF.No.8-5))	1	
(1)	LE6830004	1	OWNER'S MANUAL ASSY, MFC590 FOR UK (INCLUDING OWNER'S MANUAL(REF. No.(1-1), 3 WARRANTY CARDS, LICENSE AGREEMENT SHEET, TRAY EXTENSION(REF.No.8-5))	1	
(1)	LE6831005	1	OWNER'S MANUAL ASSY, MFC590 FOR FRA (INCLUDING OWNER'S MANUAL(REF. No.(1-1), 2 WARRANTY CARDS, LICENSE AGREEMENT SHEET, TRAY EXTENSION(REF.No.8-5))	1	
(1)	LE6832008	1	OWNER'S MANUAL ASSY, MFC590 FOR BEL (INCLUDING 2 OWNER'S MANUALS(REF. No.(1-1), WARRANTY CARD, LICENSE AGREEMENT SHEET, TRAY EXTENSION(REF.No.8-5))	1	
(1)	LE6833009	1	OWNER'S MANUAL ASSY, MFC590 FOR NLD (INCLUDING OWNER'S MANUAL(REF. No.(1-1), WARRANTY CARD, LICENSE AGREEMENT SHEET, TRAY EXTENSION(REF.No.8-5))	1	
(1)	LE6834010	1	OWNER'S MANUAL ASSY, MFC590 FOR CHE (INCLUDING 2 OWNER'S MANUALS(REF. No.(1-1), WARRANTY CARD, LICENSE AGREEMENT SHEET, TRAY EXTENSION(REF.No.8-5))	1	
(1)	LE6835011	1	OWNER'S MANUAL ASSY, MFC590 FOR IRE/NOR (INCLUDING OWNER'S MANUAL(REF. No.(1-1), WARRANTY CARD, LICENSE AGREEMENT SHEET, TRAY EXTENSION(REF.No.8-5))	1	
(1)	LE6836013	1	OWNER'S MANUAL ASSY, MFC590 FOR DEN (INCLUDING OWNER'S MANUAL(REF. No.(1-1), WARRANTY CARD, LICENSE AGREEMENT SHEET, TRAY EXTENSION(REF.No.8-5))	1	changed
(1)	LE6837015	1	OWNER'S MANUAL ASSY, MFC590 FOR SPA (INCLUDING OWNER'S MANUAL(REF. No.(1-1), 2 WARRANTY CARDS, LICENSE AGREEMENT SHEET, TRAY EXTENSION(REF.No.8-5))	1	
(1)	LE6838016	1	OWNER'S MANUAL ASSY, MFC590 FOR ITA (INCLUDING OWNER'S MANUAL(REF. No.(1-1), WARRANTY CARD, LICENSE AGREEMENT SHEET, TRAY EXTENSION(REF.No.8-5))	1	
(1)	LE6839054	1	OWNER'S MANUAL ASSY, MFC590 FOR GNR (INCLUDING OWNER'S MANUAL(REF. No.(1-1), LICENSE AGREEMENT SHEET, TRAY EXTENSION(REF.No.8-5))	1	
(1-1)	LE6518003	1	OWNER'S MANUAL, MFC590 FOR GER		
(1-1)	LE6518004	1	OWNER'S MANUAL, MFC590 FOR UK/IRE/GNR/NOR		
(1-1)	LE6518005	1	OWNER'S MANUAL, MFC590 FOR FRA		
(1-1)	LE6518008	1	OWNER'S MANUAL, MFC590 FOR BEL <DUTCH>		
(1-1)	LE6728008	1	OWNER'S MANUAL, MFC590 FOR BEL/CHE <FRENCH>		
(1-1)	LE6518009	1	OWNER'S MANUAL, MFC590 FOR NLD		
(1-1)	LE6518010	1	OWNER'S MANUAL, MFC590 FOR CHE <GERMAN>		
(1-1)	LE6518004	1	OWNER'S MANUAL, MFC590 FOR DEN		added
(1-1)	LE6518015	1	OWNER'S MANUAL, MFC590 FOR SPA		
(1-1)	LE6518016	1	OWNER'S MANUAL, MFC590 FOR ITA		

## LIST10(PACKAGING)

REF.No	CODE	Q'TY	DESCRIPTION	RECOMMEND	REMARKS
(1)	LE6636001	1	CARTON, BROTHER, MFC590	1	
(2)	LE6314001	1	BODY STYROFOAM ASSY		
(3)	LE6625001	1	SHEET, 400X450		
(4)	LE3645001	1	BAG, 900X850H		
(5)	LE6317001	1	CARTON FOR MANUAL		
(6)	LE6638001	1	START CARD, MFC590 FOR GER/AUS		
(6)	LE6642001	1	START CARD, MFC590 FOR UK/IRE		
(6)	LE6646001	1	START CARD, MFC590 FOR FRA		
(6)	LE6764001	1	START CARD, MFC590 FOR BEL <DUTCH>		
(6)	LE6763001	1	START CARD, MFC590 FOR BEL/CHE <FRENCH>		
(6)	LE6730001	1	START CARD, MFC590 FOR NLD		
(6)	LE6761001	1	START CARD, MFC590 FOR CHE <GERMAN>		
(6)	LE6743001	1	START CARD, MFC590 FOR DEN/NOR <DANISH>		CHG
(6)	LE6749001	1	START CARD, MFC590 FOR SPA		
(6)	LE6754001	1	START CARD, MFC590 FOR ITA		
(6)	LE6559001	1	START CARD, MFC590 FOR GNR		
(6)	LE6762001	1	START CARD, MFC590 FOR NOR <ENGLISH>		ADD
(6)	LE6758001	1	START CARD, MFC590 FOR NOR <NORWEGIAN>		
(6)	LE6759001	1	START CARD, MFC590 FOR NOR <SWEDISH>		
(6)	LE6760001	1	START CARD, MFC590 FOR NOR <FINNISH>		
(7)	LE6476001	1	CARRIAGE RETAINER		
(8)	LE8254001	1	QUICK SET UP GUIDE XP FOR GER/CHE/AUS		chg
(8)	LE8252001	1	QUICK SET UP GUIDE XP FOR UK/IRE/GNR/NOR <ENGLISH>		chg
(8)	LE8253001	1	QUICK SET UP GUIDE XP FOR FRA/BEL/CHE <FRENCH>		chg
(8)	LE8255001	1	QUICK SET UP GUIDE XP FOR BEL/NLD <DUTCH>		chg
(8)	LE8260001	1	QUICK SET UP GUIDE XP FOR DEN/NOR <DANISH>		CHG
(8)	LE8257001	1	QUICK SET UP GUIDE XP FOR SPA		chg
(8)	LE8256001	1	QUICK SET UP GUIDE XP FOR ITA		chg
(8)	LE8258001	1	QUICK SET UP GUIDE XP FOR NOR <NORWEGIAN>		ADD
(8)	LE8259001	1	QUICK SET UP GUIDE XP FOR NOR <SWEDISH>		ADD
(8)	LE8261001	1	QUICK SET UP GUIDE XP FOR NOR <FINNISH>		ADD

**brother**®

[www.drukparts.pl](http://www.drukparts.pl)

8CA431  
PL-FAX019  
Ver. T-1