

brother®

**FACSIMILE EQUIPMENT
PARTS REFERENCE LIST**

MODEL: MFC1025

www.drukparts.pl

www.drukparts.pl

© Copyright Brother 1997

All rights reserved

No part of this publication may be reproduced in any form or by any means without permission in writing from the publisher.

Specifications are subject to change without prior notice.

NOTES FOR USING THIS PARTS REFERENCE LIST

1. In the case of ordering parts, it needs mentioning the following items:

- (1) Code
- (2) Q' ty
- (3) Description

Note: No orders without Parts Code or Tool No. can be accepted.

[Example]

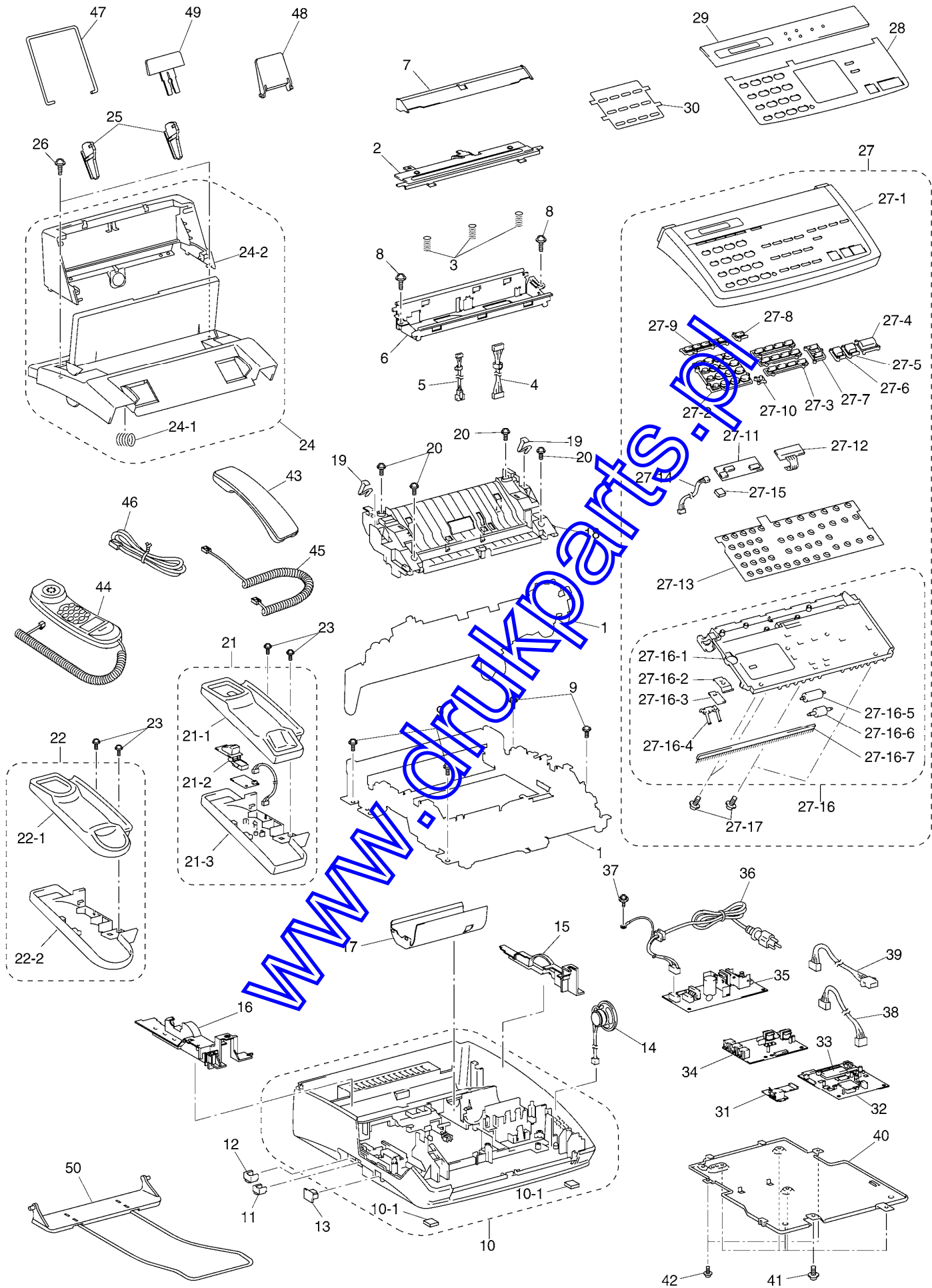
REF.NO.	CODE	Q' TY	DESCRIPTION	REMARKS

2. Parts change will be informed by the technical information.

COUNTRIES

GERMANY ---- GER
FRANCE ---- FRA
UNITED KINGDOM ---- UK
NORWAY ---- NOR
NETHERLANDS ---- NLD
SWITZERLAND ---- CHE
SWEDEN ---- SWE

www.drukparts.pl



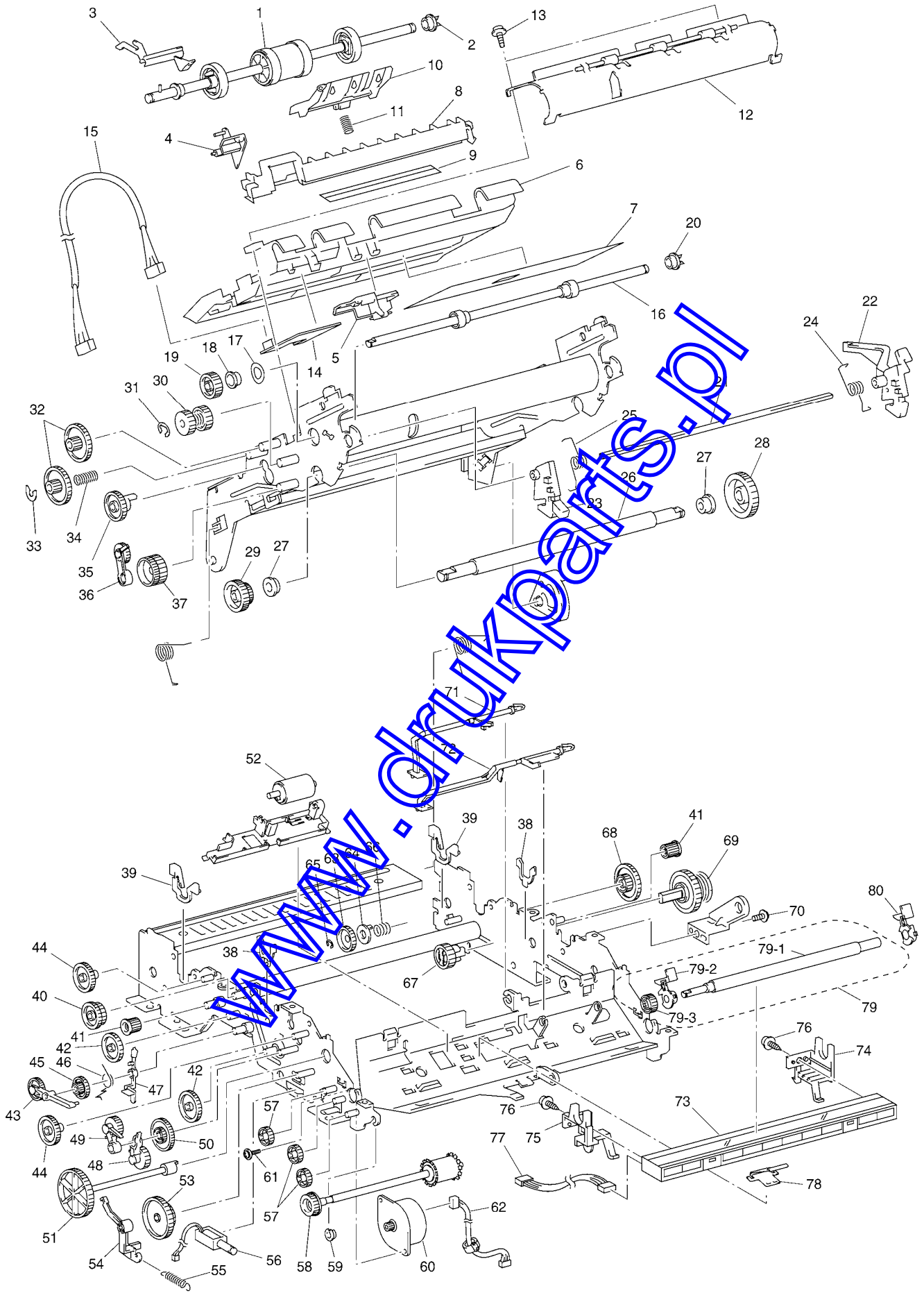
WWW.DRUKPARTS.PL

REF.NO.	CODE	Q'TY	DESCRIPTION	REMARKS
1			1. PLATEN FRAME & MAIN FRAME ATTACHEMENT	
2	UF8070001	1	RECORDING HEAD ASSY	
3	UF8072001	3	SPRING, COMPRESSION	
4	UG5009001	1	HEAD-MAIN HARNESS	
5	UG5010001	1	HEAD-POWER HARNESS	
6	UF8018001	1	RECORDER FRAME	
7	UF8073001	1	HEAD PROTECTION PLATE	
8	U24014001	2	TAPTITE, CUP S M3.0X6	
9	087320815	4	TAPTITE, CUP S M3X8	
10	UF8140003	1	MAIN COVER, WHITE(1138)	
10-1	UF6761001	2	RUBBER	
11	UF7095000	1	MJ COVER, H/S FOR UK	
12	UF5745000	1	MJ COVER, EXT FOR GER/NLD/CHE/SWE	
13	UF4759000	1	PC I/F COVER FOR UK	
14	LG2049001	1	SPEAKER ASSY	
15	UF8150002	1	SIDE COVER R, WHITE(1397)	
16	UF8147002	1	SIDE COVER L, WHITE(1397)	
17	UF8151004	1	ROM COVER, GRAY(1267)	
18	UF8143003	1	INNER COVER, WHITE(1138)	
19	UF5571001	2	PANEL LOCK SPRING	
20	087310815	4	TAPTITE, CUP B M3X8	
21	UF8164003	1	HANDSET HOLDER ASSY, WHITE(1138) FOR GER/FRA/NOR/NLD/CHE/SWE	
21-1	UF8165003	1	UPPER HANDSET HOLDER, WHITE(1138) FOR GER/FRA/NOR/NLD/CHE/SWE	
21-2	UF8167003	1	ACTUATOR HOOK, WHITE(1138) FOR GER/FRA/NOR/NLD/CHE/SWE	
21-3	UF8166003	1	LOWER HANDSET HOLDER, WHITE(1138) FOR GER/FRA/NOR/NLD/CHE/SWE	
22	UF8251001	1	B/T HANDSET HOLDER ASSY, WHITE(1138) FOR UK	
22-1	UF8252001	1	B/T UPPER HANDSET HOLDER, WHITE(1138) FOR UK	
22-2	UF8253001	1	B/T LOWER HANDSET HOLDER, WHITE(1138) FOR UK	
23	087320815	2	TAPTITE, CUP S M3X8	
24	UF8155003	1	RECORDING PAPER COVER ASSY, WHITE(1138)	
24-1	UF4418001	1	SPRING, COMPRESSION	
24-2	UF8153003	1	PAPER REAR COVER, WHITE(1138)	
25	UF8162003	2	PAPER GUIDE, WHITE(1138)	
26	087320815	2	TAPTITE, CUP S M3X8	
27	UF8235003	1	CONTROL PANEL ASSY, WHITE(1138)	
27-1	UF8193003	1	CONTROL PANEL, WHITE(1138)	
27-2	UF4393003	1	KEY, TEL, WHITE(1138)	
27-3	UF8176003	3	KEY, ONE TOUCH, WHITE(1138)	
27-4	UF8172002	1	KEY, START, BLUE(6155)	
27-5	UF8173001	1	KEY, STOP, ORANGE(3159)	
27-6	UF8174001	1	KEY, COPY, GRAY(1267)	
27-7	UF8179003	1	KEY, COPY MODE, GRAY(1267)	
27-8	UF8177003	1	KEY, MODE, WHITE(1138)	
27-9	UL5712003	1	KEY, OPERATION, WHITE(1138)	
27-10	UF4576003	1	KEY, SHIFT, WHITE(1138)	
27-11	UG5035001	1	PANEL PCB ASSY	
27-12	LG2351001	1	LCD	
27-13	UG5021001	1	FPC KEY	
27-14	UG5018001	1	PANEL-MAIN HARNESS	
27-15	UF6761001	1	RUBBER	
27-16	UF8178001	1	PANEL REAR COVER ASSY	
27-16-1	UF8175001	1	PANEL REAR COVER	
27-16-2	UF5585001	1	ADF SPRING PLATE	
27-16-3	UF5584000	1	SEPARATION RUBBER	

REF.NO.	CODE	Q'TY	DESCRIPTION	REMARKS
27-16-4	UF5586001	1	SPRING PLATE, ADF FRONT	
27-16-5	UF5587001	1	PRESSURE ROLLER	
27-16-6	UF8257001	1	EJECTION ROLLER	
27-16-7	UF8285001	1	ANTI-STATIC BRUSH	
27-17	087310815	2	TAPTITE, CUP B M3X8	
28	UF8583001	1	PANEL SHEET FOR GER	
28	UF8584001	4	PANEL SHEET FOR UK	
28	UF8585001	1	PANEL SHEET FOR FRA	
28	UF8586001	1	PANEL SHEET FOR NOR	
28	UF8587001	1	PANEL SHEET FOR NLD	
28	UF8588001	1	PANEL SHEET FOR CHE/UK	
28	UF8589001	1	PANEL SHEET FOR SWE	
29	UF8628001	1	LCD PLATE FOR GER	
29	UF8632001	1	LCD PLATE FOR UK/CHE	
29	UF8629001	1	LCD PLATE FOR FRA	
29	UF8630001	1	LCD PLATE FOR NOR	
29	UF8631001	1	LCD PLATE FOR NLD	
29	UF8633001	1	LCD PLATE FOR SWE	
30	UF8183003	1	ADDRESS LABEL	
31	UG5003001	1	MODULAR PCB ASSY	
32	UG5059021	1	MAIN PCB SUB ASSY	
33	UG2944003	1	ONE TIME PROM:1025-2M FOR GER	
33	UG2948004	1	ONE TIME PROM:1025-2M FOR UK	
33	UG2432005	1	PROM:1025-2M FOR FRA	
33	UG2944007	1	ONE TIME PROM:1025-2M FOR NOR	
33	UG2432009	1	PROM:1025-2M FOR NLD	
33	UG2944010	1	ONE TIME PROM:1025-2M FOR CHE	
33	UG2944026	1	ONE TIME PROM:1025-2M FOR SWE	
34	UG3713003	1	NCU PCB ASSY FOR GER	
34	UG3709004	1	NCU PCB ASSY FOR UK	
34	UG3711005	1	NCU PCB ASSY FOR FRA	
34	UG3709007	1	NCU PCB ASSY FOR NOR/SWE	
34	UG3707009	1	NCU PCB ASSY FOR NLD	
34	UG3705010	1	NCU PCB ASSY FOR CHE	
35	UG5061001	1	POWER SUPPLY PCB ASSY FOR WITHOUT CHE	
35	UG5057001	1	POWER SUPPLY PCB ASSY FOR CHE	
36	UG3308001	1	AC CORD ASSY FOR GER/FRA/NOR/NLD/SWE	
36	UG3304001	1	AC CORD ASSY FOR UK	
36	UG3306001	1	AC CORD ASSY FOR CHE	
37	UF4444001	1	SCREW, PAN(P WASHER) M4X6	
38	UG5019001	1	MAIN POWER HARNESS	
39	UG5051001	1	POWER HEAD HARNESS	
40	UF8152001	1	BOTTOM PLATE	
41	087310815	6	TAPTITE, CUP B M3X8	
42	U24014001	2	TAPTITE, CUP S M3.0X6	
43	UF6857003	1	HANDSET, WHITE(1138) FOR GER/FRA/NOR/NLD/CHE/SWE	
44	UF6403001	1	B/T HANDSET, WHITE(1138) FOR UK	
45	UL8019009	1	HANDSET CURLED CORD ASSY, WHITE(1255) FOR GER/FRA/NOR/NLD/CHE/SWE	
46	UG3625001	1	TELEPHONE LINE CORD FOR GER	
46	UG3626001	1	TELEPHONE LINE CORD FOR UK	
46	UG3627001	1	TELEPHONE LINE CORD FOR FRA	
46	UG3629001	1	TELEPHONE LINE CORD FOR NOR	
46	UG3631001	1	TELEPHONE LINE CORD FOR NLD	
46	UG3469000	1	TELEPHONE LINE CORD FOR CHE	
46	UG3635001	1	TELEPHONE LINE CORD FOR SWE	
47	UL6856000	1	TRAY EXTENSION	

REF.NO.	CODE	Q'TY	DESCRIPTION	REMARKS
48	UF8048001	1	RECORDING PAPER SUPPORT	
49	UF8247001	1	DOCUMENT SUPPORT	
50	UF8246001	1	DOCUMENT EJECTION TRAY ASSY	
(51)	UF8387001	1	RIBBON CASSETTE UNIT	
(51-1)	UF8245001	1	STARTER RIBBON (30M)	
(52)	UF8618002	1	MYLAR LABEL FOR GER	
(52)	UF8618001	1	MYLAR LABEL FOR UK/NOR/CHE/SWE	
(52)	UF8618003	1	MYLAR LABEL FOR FRA	
(53)	UF8660001	1	OWNER'S MANUAL FAX1025-1 FOR GER	
(53)	UF8654004	1	OWNER'S MANUAL FAX1025-1 FOR UK	
(53)	UF8361005	1	OWNER'S MANUAL FAX1025-1 FOR FRA	
(53)	UF8361007	1	OWNER'S MANUAL FAX1025-1 FOR NOR	
(53)	UF8361009	1	OWNER'S MANUAL FAX1025-1 FOR NLD	
(53)	UF8361010	1	OWNER'S MANUAL FAX1025-1 FOR CHE (GERMAN)	
(53)	UF8361026	1	OWNER'S MANUAL FAX1025-1 FOR SWE	
(53)	UF8362008	1	OWNER'S MANUAL FAX1025-2 FOR CHE (FRENCH)	
(54)	UF8610001	1	MULTI FUNCTION LINK MANUAL FOR GER/UK/FRA/NLD/CHE	
(54)	UF4310001	1	MULTI FUNCTION LINK MANUAL FOR NOR/SWE	
(55)	UF8306001	2	PROTECTION PAPER	
(56)	UE1745001	1	CARTON, BROTHER FAX1025 FOR GER/FRA/UK/NOR/CHE/SWE	
(56)	UE1746001	1	CARTON, BROTHER FAX1025 FOR NLD	
(57)	UE1514001	1	CARTON (FOR ACCESSORY)	
(58)	UE1511001	1	STYROFOAM	
(59)	UF8997001	1	ADJUSTING SHEET, A	
(60)	UF8263001	1	TEST CHART-027	
(60)	UF4340004	4	TEST-CHART-028	<Eliminated>
(61)	UF8609001	1	FLOPPY DISK ASSY FOR GER/UK/NLD/CHE	
(61)	UF8663001	1	FLOPPY DISK ASSY FOR NOR/SWE	
(62)	UF2647001	1	CLEANING KIT ASSY	
(63)	LE0218001	1	EJECTION SUPPORT	
(64)	LE0544001	1	SEPARATION PAD HOLDER SUPPLY ASSY	

www.druckparts.pl



1. PLATEN FRAME & MAIN FRAME ATTACHEMENT

REF.NO.	CODE	Q'TY	DESCRIPTION	REMARKS
1	UF8116001	1	PAPER FEED ROLLER ASSY	
2	UF0026001	1	PAWLED BUSHING	
3	UF8118001	1	PAPER FRONT COVER SENSING ACTUATOR	
4	UF8111001	1	PAPER-EDGE SENSOR ACTUATOR	
5	UF8112001	1	PAPER EJECTION SENSOR ACTUATOR	
6	UF8109001	1	PAPER FEED CHUTE ASSY (INCLUDING PAPER FEED CHUTE, CHUTE FILM, PAPER FEED SUB CHUTE, SUB CHUTE FILM, SEPARATION PAD, SPRING, SENSOR PCB ASSY, SENSOR-MAIN HARNESS, PAPER EDGE SENSOR ACTUATOR, AND PAPER EJECTION SENSOR ACTUATOR)	
7	UF8139001	1	CHUTE FILM	
8	UF8104001	1	PAPER FEED SUB CHUTE	
9	UF8249001	1	SUB CHUTE FILM	
10	UF8265001	1	SEPARATION PAD	
11	UL5184001	1	SPRING, COMPRESSION	
12	UF8086001	1	CHUTE ASSY	
13	087320815	2	TAPTITE, CUP S M3X8	
14	UG5000001	1	SENSOR PCB ASSY	
15	UG5014001	1	SENSOR-MAIN HARNESS	
16	UF0761001	1	PAPER EJECTION ROLLER	
17	UF8090001	1	CURVED WASHER	
18	UF8105001	1	BUSHING	
19	UF6048000	1	GEAR, 40	
20	UF0026001	1	PAWLED BUSHING	
21	UF8505001	1	LOCK LEVER SHAFT	
22	UF8506001	1	LOCK LEVER R	
23	UF8504001	1	LOCK LEVER L	
24	UF8126001	1	LOCK SPRING R	
25	UF8125001	1	LOCK SPRING L	
26	UF8095001	1	PLATEN	
27	UF8097001	2	BUSHING	
28	UF8101001	1	GEAR,33 RB	
29	UF8098001	1	GEAR,23	
30	UF8076001	1	CLUTCH GEAR ASSY	
32	UF8094001	2	GEAR,18/41	
33	UF8088001	1	PLASTIC RETAINING RING	
34	UF8087001	1	SPRING, COMPRESSION	
35	UF8122001	1	GEAR,33	
36	UF8123001	1	PLANET GEAR,34	
37	UF8093001	1	GEAR,33/24	
38	UF3665000	2	RIBBON BUSHING	
39	UF8013001	2	PAWLED RIBBON BUSHING	
40	UF8039001	1	GEAR,33/45	
41	UF8025001	2	GEAR,18	
42	UF8034001	2	GEAR,39	
43	UF8046001	1	ARM C ASSY	
44	UF8036001	2	GEAR,33	
45	UF8040001	1	GEAR,36/27	
46	UF8149001	1	ACTUATOR SPRING	
47	UF8148001	1	COVER SENSOR ACTUATOR	
48	UF8030001	1	ARM A ASSY	
49	UF8032001	1	ARM B ASSY	
50	UF8029001	1	GEAR,20/90	
51	UF8035001	1	SEPARATION ROLLER GEAR	

1. PLATEN FRAME & MAIN FRAME ATTACHEMENT

REF.NO.	CODE	Q'TY	DESCRIPTION	REMARKS
52	UF5511001	1	SEPARATION ROLLER	
53	UF8037001	1	GEAR,20/40	
54	UF8038001	1	CLUTCH LEVER	
55	UF6664001	1	SPRING, EXTENSION	
56	UG3086001	1	SOLENOID	
57	UF6616000	3	GEAR, 14/20	
58	UF8144001	1	DOCUMENT EJECTION ROLLER	
59	UF8146001	1	BUSHING	
60	Z26436001	1	MOTOR	
61	U09759001	1	SCREW, PAN (S/P WASHER) M3X6	
62	UG5012001	1	MOTOR-MAIN HARNESS	
63	UF6069000	1	SLIP GEAR, 40	
64	UF6067001	1	FRICITION PAD	
65	048030345	1	RETAINING RING, E3	
66	UF8043001	1	BACK TENSION SPRING	
67	UF8028001	1	GEAR,24	
68	UF8037001	1	GEAR,20/40	
69	UF8023001	1	FRICITION TORQUE TRANSMISSION ASSY (GEAR,40 ASSY)	
71	UF8022001	1	DOCUMNET FRONT SENSOR ACTUATOR	
72	UF8024001	1	DOCUMNET REAR SENSOR ACTUATOR	
73	UG5064001	1	CIS UNIT	
74	UF8578001	1	CIS HOLDER R	
75	UF8579001	1	CIS HOLDER L	
76	087310815	2	TAPTITE, CUP B M3X8	
77	UG5013001	1	CIS-MAIN HARNESS	
78	UF8041001	1	CIS LEAF SPRING	
79	UF8053001	1	WHITE PRESSURE ROLLER ASSY	
79	UF8054001	1	WHITE PRESSURE ROLLER	
79	UF8056001	1	BUSHING L	
79	UF8057001	1	WHITE PRESSURE ROLLER GEAR	
80	UF8058001	1	BUSHING R	

www.drukparts.pl

brother

www.drukparts.pl