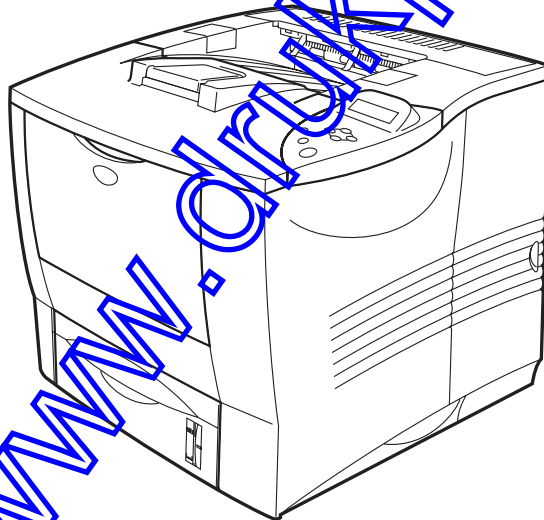




Brother Laser Printer **PARTS REFERENCE LIST**

MODEL: HL-7050 / 7050N



Read this list thoroughly before maintenance work.

Keep this list in a convenient place for quick and easy reference at all times.

NOTE FOR USING THIS PARTS REFERENCE LIST

1. In the case of ordering parts, it is necessary to mention the following items;

- (1) Code
- (2) Q'ty
- (3) Description
- (4) Symbol (PCB No., Revision , and Parts location mounted on the PCB.)

Note: No orders without Parts Code or Tool No. can be accepted.

< Example >

	(1)	(2)	(3)	(4)	
REF.NO.	CODE	Q'TY	DESCRIPTION	SYMBOL	REMARK

Revision No.: marked on the **main printed circuit board (Main PCB).**

B48K056 - 201A

Design change indication
 Specification No.
 Pattern alteration No.
 Circuit board No.

Revision No.: marked on the **power supply printed circuit board.**

Rev. A

Design change indication
 (The first version has no sign.)

2. Design-changed parts:

If any of the parts is changed, one of the following symbols is indicated in the REMARK column.

CHG(chg) : The parts is changed to a new parts.

ADD(add) : The parts is newly added.

DEL(del) : The parts is deleted.

Symbol in capital letters indicates the latest parts change information in the page.

3. The original parts reference list is based on the information available in September 2001.

4. Parts are subject to change in design without prior notice.

COUNTRIES AND AREAS

AP: Asia Pacific	HOL(NL): Holland(Netherlands)
ARG: Argentina	IBERIA: Spain/Portugal
ARL: Australia	IND: India
BEL: Belgium	ISR: Israel
BRZ: Brazil	ITA: Italy
CAN: Canada	KOR: Korea
CHI: Chile	NZ: New Zealand
CHN: China	PAN-NOR: Norway/Finland/Denmark/Sweden
EEU: EEU GENERAL	RUS: Russia
(Bulgaria/Czech/Hungary/Poland/Romania/Slovakia)	SAF: South Africa
EUR: Europe	SGP/GULF: Singapore/Gulf
FRA: France	SWI: Switzerland
GER: Germany	UK: U.K.
	US: U.S.A

LANGUEGES

BUL: Bulgarian	ITA: Italian
CHN: Chinese	NOR: Norwegian
CZE: Czech	KOR: Korean
DEN(DAN): Danish	POL: Polish
DUT: Dutch	POR: Portuguese
ENG: English	ROM: Romanian
FIN: Finnish	RUS: Russian
FRE: French	SVK: Slovak
GER: German	SPA: Spanish
HUN: Hungarian	SWE: Swedish

www.druckparts.pl

CONTENTS

1.	<u>FRAME</u>	1
2.	<u>DRIVE</u>	3
3.	<u>LASER UNIT</u>	5
4.	<u>PAPER EJECT</u>	5
5.	<u>PAPER FEED</u>	7
6.	<u>MP TRAY</u>	7
7.	<u>PAPER TRAY</u>	9
8.	<u>FIXING UNIT</u>	11
9.	<u>COVERS / LABELS</u>	13
10.	<u>SWITCH PANEL</u>	15
11.	<u>MAIN PCB</u>	15
12.	<u>ENGINE PCB</u>	17
13.	<u>HIGH-VOLTAGE POWER SUPPLY PCB</u>	17
14.	<u>LOW-VOLTAGE POWER SUPPLY PCB</u>	19
15.	<u>AC CORDS</u>	19
16.	<u>ACCESSORIES</u>	21
17.	<u>PACKING MATERIALS</u>	23
18.	<u>PERIODICAL MAINTENANCE PARTS</u>	25
19.	<u>NET WORKBOARD</u>	27
20.	<u>TCO099</u>	29

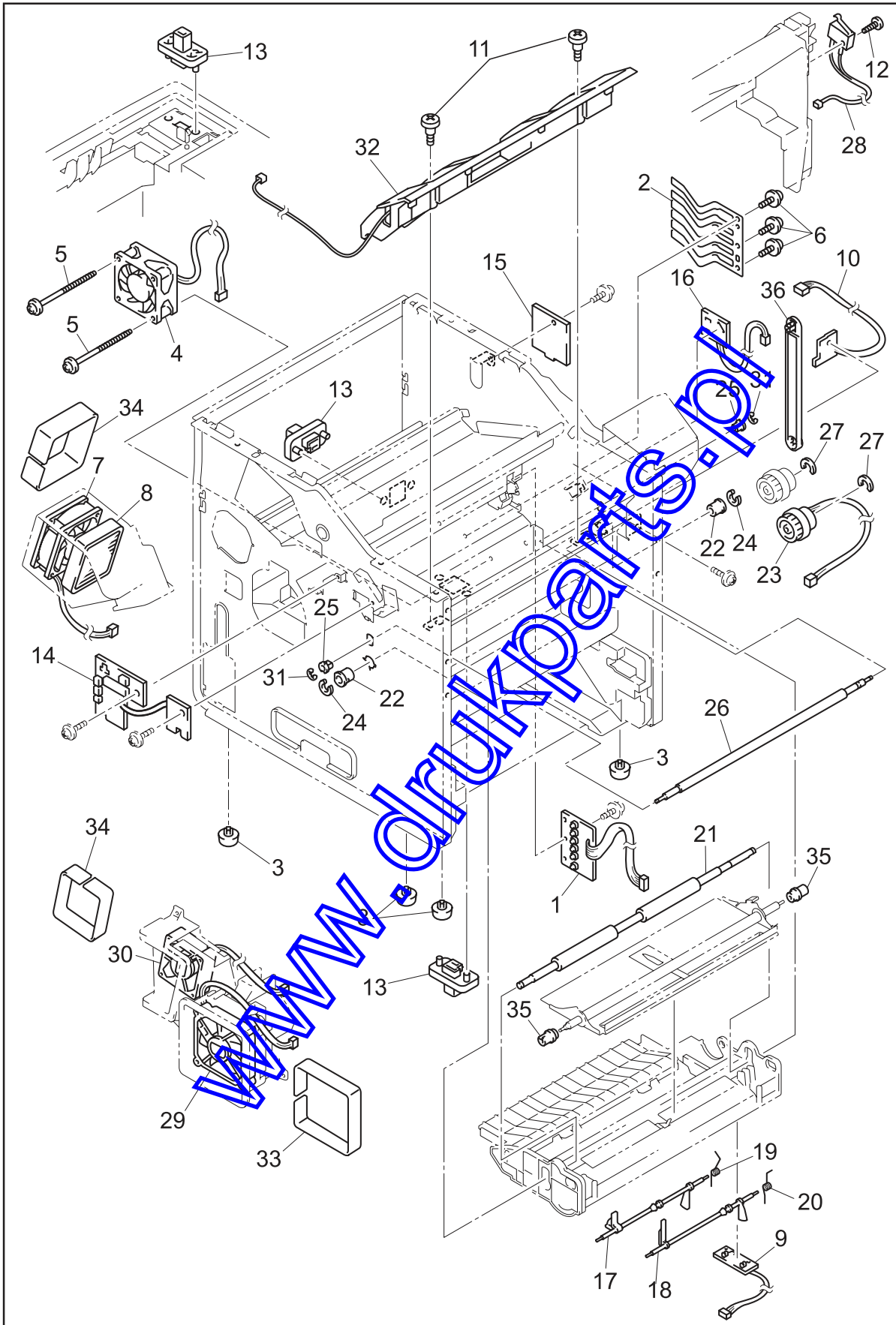
www.druckparts.pl

1. FRAME

REF.NO.	CODE	Q'TY	DESCRIPTION	REMARK
1	LJ9044001	1	SIZE SW PCB ASSY	
2	LJ1568001	1	SIZE SW SPRING	
3	UH2208001	4	RUBBER FOOT	
4	LJ0259001	1	FAN MOTOR 60	
5	LJ0670001	2	TAPTITE, PAN B M3X35	
6	LJ0822001	3	TAPTITE, CUP S M3X4	
7	LJ1135001	1	DC FAN AUB0624	
8	LJ1136001	1	FILTER TAK-CR	
9	LJ9036001	1	REGIST SENSOR PCB ASSY	
10	LJ9040001	1	RELEASE MOTOR SENSOR PCB ASSY	
11	UF9823001	2	SHOULDER SCREW	
12	LJ0941001	1	SCREW, BIND P TITE 2.3X16	
13	LJ8455001	3	CONNECTOR:52968-0611	
14	LJ9046001	1	LEFT SIDE PCB ASSY	
15	LJ9049001	1	REAR RELAY PCB ASSY	
16	LJ9051001	1	TONER LED PCB ASSY	
17	LJ1159001	1	TIP ACTUATOR	
18	LJ1160001	1	REGIST ACTUATOR	
19	LJ1161001	1	COIL SPRING TIP	
20	LJ1162001	1	COIL SPRING REGIST	
21	LJ1166001	1	REGIST ROLLER	
22	UD4152001	2	BEARING A	
23	LJ1244001	1	ELECTROMAGNETIC DEVELOP CLUTCH	
24	LJ1168001	2	COLLAR 8	
25	LJ1169001	2	BEARING AM	
26	LJ1170001	1	PINCH ROLLER	
27	LJ1175001	2	COLLAR 6	
28	LJ1210001	1	INTERLOCK SW ASSY	
29	UL9033001	1	FAN MOTOR	
30	LJ1651001	1	FAN MOTOR 60-3P	
31	LJ1209001	2	COLLAR 4	
32	LJ1204001	1	FRONT GUIDE ASSY	
33	LJ1214001	1	MAIN FAN FOAM	
34	LJ1215001	2	SUB FAN FOAM	
35	LJ0183001	2	CHUTE BEARING	add
36	LJ1225001	1	DRIVE RELEASE LINK	ADD

MODEL HL-7050/7050N 84T-U07/08-500

1. FRAME



MODEL HL-7050/7050N 84T-U07/08-500

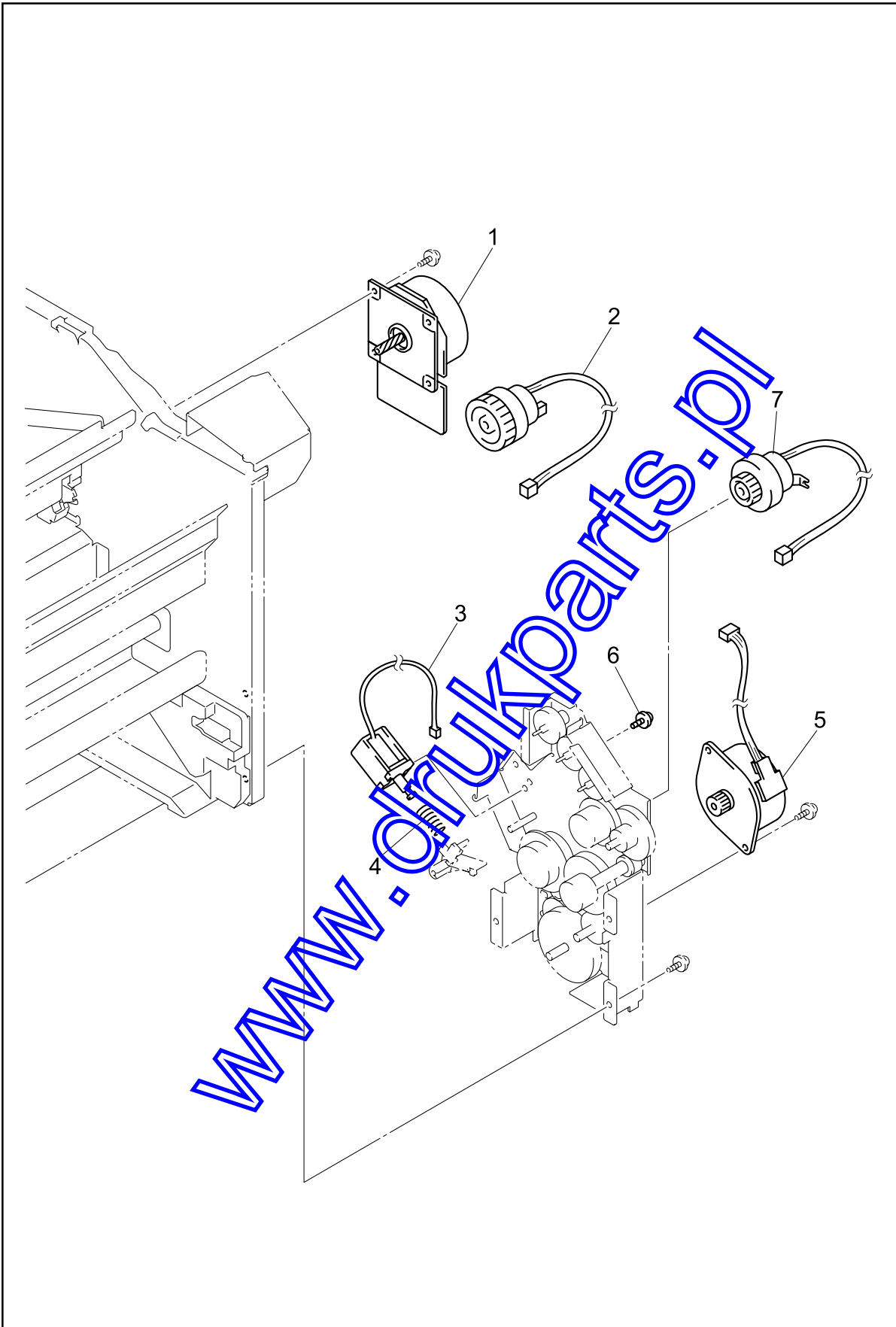
2. DRIVE

REF.NO.	CODE	Q'TY	DESCRIPTION	REMARK
1	LM6754001	1	MAIN MOTOR ASSY	CHG
2	LJ1244001	1	ELECTROMAGNETIC DEVELOP CLUTCH	
3	LJ1554001	1	SOLENOID ASSY	
4	LJ0309001	1	SOLENOID SPRING MP	
5	LJ1278001	1	FEEDING MOTOR ASSY	
6	U11776001	1	SCREW, FLANGED M3X3.5	
7	LJ1280001	1	ELECTROMAGNETIC FEED CLUTCH	

www.drukparts.pl

MODEL HL-7050/7050N 84T-U07/08-550

2. DRIVE



MODEL HL-7050/7050N 84T-U07/08-550

3. LASER UNIT

REF.NO.	CODE	Q'TY	DESCRIPTION	REMARK
1	LJ1304001	1	SCANNER UNIT (SP)	
2	087321615	4	TAPTITE, CUP S M3X16	
3	LJ0908001	4	LASER CAUTION LABEL-B	DEL

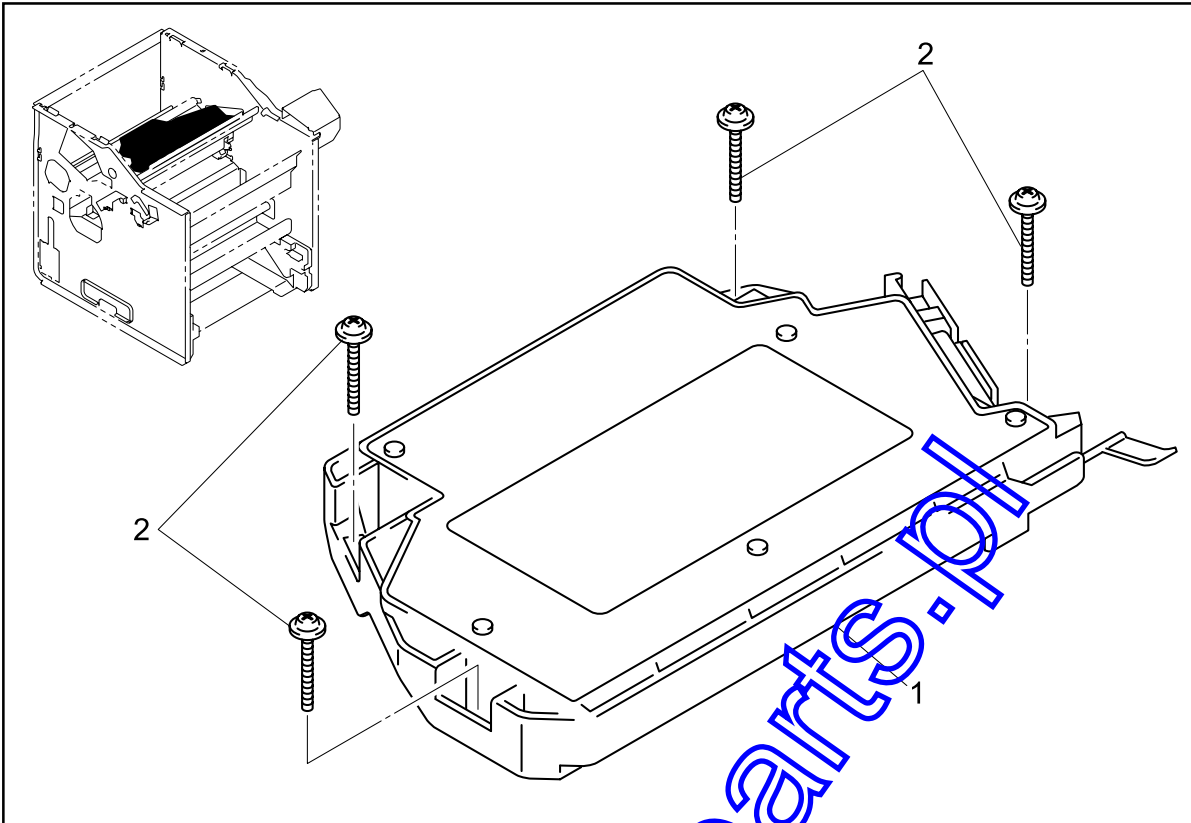
MODEL HL-7050/7050N 84T-U07/08-100

4. PAPER EJECT

REF.NO.	CODE	Q'TY	DESCRIPTION	REMARK
1	LJ1098001	1	PAPER EJECT UNIT	
1-1	UH3323001	4	EJECT PINCH ROLLER ASSY	
1-2	UH3948001	4	PINCH SPRING	
1-3	LJ0668001	2	EJECT ROLLER ASSY	
1-4	LJ0657001	2	EJECT ROLLER GROUND PLATE	
1-5	LJ0477001	4	BEARING 6	
1-6	LJ0718001	1	REAR ACTUATOR 1	
1-7	LJ9034001	1	REAR SENSOR PCB ASSY	
1-8	LJ0110001	1	REAR ACTUATOR 3	
1-9	LJ0111001	1	REAR TRAY ACTUATOR	
1-10	LJ0112001	1	REAR TRAY ACTUATOR SPRING	
1-11	087310815	1	TAPTITE, CUP B M3X8	
1-12	085310815	2	TAPTITE, BIND B M3X8	
1-13	048040346	2	RETAINING RING, E4	
1-14	LJ1562001	4	CORRUGATED COLLAR	
1-15	048030346	2	RETAINING RING, E3	
2	087320816	2	TAPTITE, CUP S M3X8	
3	LJ1103001	1	EJECTION GEAR UNIT	

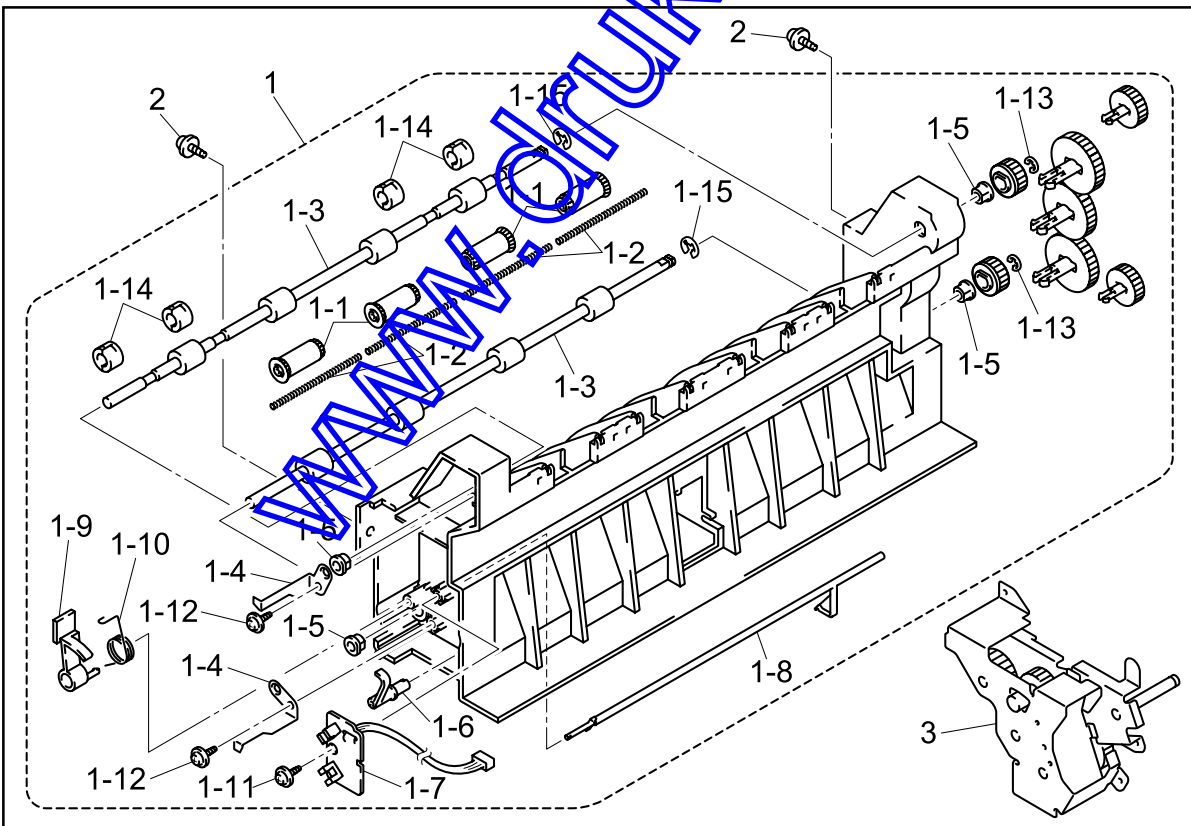
MODEL HL-7050/7050N 84T-U07/08-420

3. LASER UNIT



MODEL HL-7050/7050N 84T-U07/08-700

4. PAPER EJECT



MODEL HL-7050/7050N 84T-U07/08-420

5. PAPER FEED

REF.NO.	CODE	Q'TY	DESCRIPTION	REMARK
1	LJ0270001	1	PAPER FEED ROLLER ASSY 45 *1	
2	LJ0273001	1	PE SENSOR ACTUATOR	
3	LJ9055001	1	TRAY PE SENSOR PCB ASSY	
4	LJ0279001	2	BEARING	
5	LJ0284001	6	PAPER FEED ROLLER BEARING	
6	LJ1290001	1	PAPER FEED ROLLER TR	
7	LJ1297001	1	PAPER FEED ROLLER MP	
8	LJ1300001	1	PAPER FEED ROLLER A4	
9	LJ1313001	1	FOAM HOLDER A4 ASSY	
10	LJ1322001	2	HOLDER SPRING A4	
11	LJ1324001	2	FOAM HOLDER ASSY	
12	LJ1330001	4	HOLDER SPRING	
13	LJ1293001	2	PAPER FEED ROLLER	
14	LJ1168001	5	COLLAR 8	
15	LJ1302001	1	PINCH ROLLER A4	
16	LJ1175001	5	COLLAR 6	
17	LJ1741001	1	STOPPER SPRING	
			*1 A component part of the PAPER FEEDING KIT. Refer to "18. PERIODICAL MAINTENANCE PARTS".	

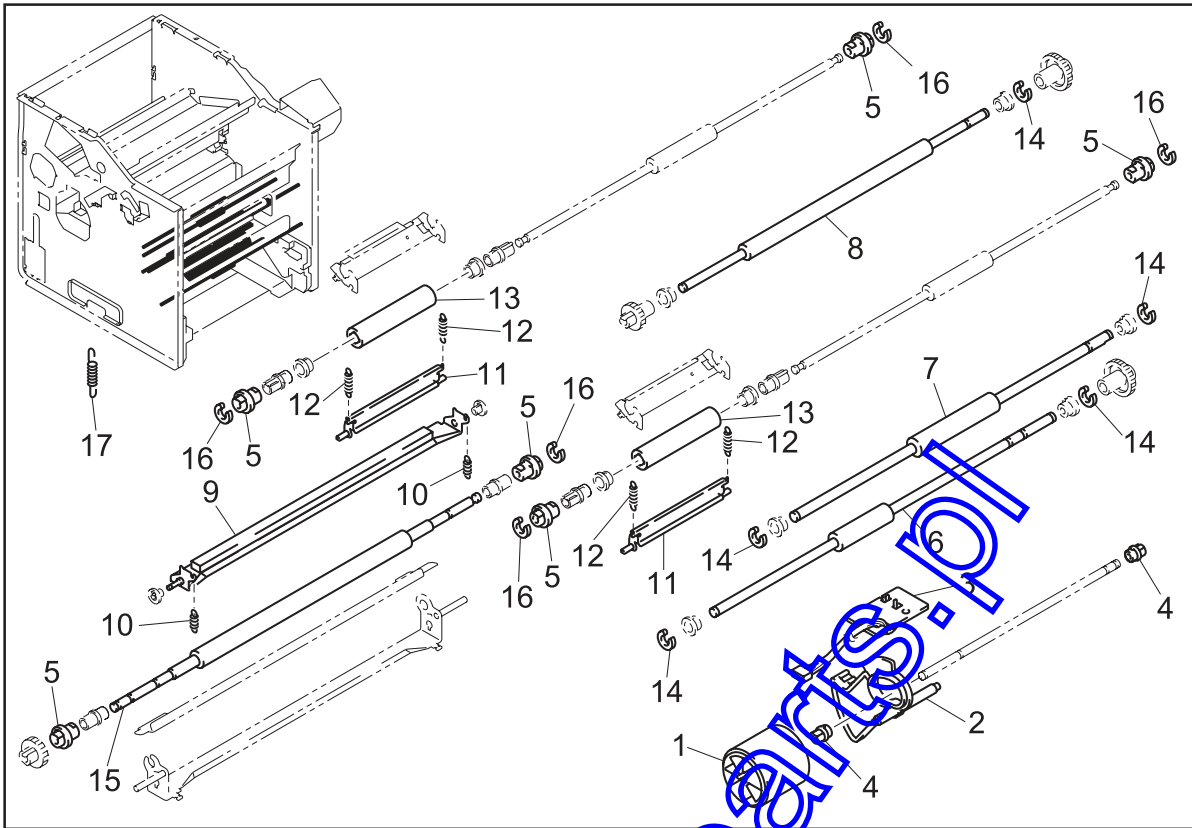
MODEL HL-7050/7050N 84T-U07/08-600

6. MP TRAY

REF.NO.	CODE	Q'TY	DESCRIPTION	REMARK
1	LJ0295001	1	SEPARATION PLATE ASSY MP	
2	LJ0298001	1	SEPARATION PAD SPRING MP	
3	LJ0299001	1	PLATE ASSY MP	
4	LJ0305001	2	PLATE SPRING MP	
5	LJ0307001	1	SOLENOID ASSY MP	
6	LJ0309001	1	SOLENOID SPRING MP	
7	LJ0311001	1	PAPER FEED ROLLER ASSY MP	
8	LJ1332001	1	ROLLER COVER ASSY MP	
8-1	LJ9057001	1	MP PE SENSOR PCB ASSY	
8-2	LJ0328001	1	PE SENSOR ACTUATOR MP	
8-3	LJ0329001	1	PE SENSOR ACTUATOR 2 MP	
9	LJ0330001	1	TRAY ASSY MP	
10	LJ0334001	1	TRAY COVER ASSY MP	
10-1	LJ0337001	2	TRAY COVER ROCK SPRING	
11	085310815	5	TAPTITE, BIND B M3X8	
12	085320816	4	TAPTITE, BIND S M3X8	
13	U11776001	1	SCREW, FLANGED M3X3.5	
14	LJ1741001	4	STOPPER SPRING	DEL
15	LJ0317001	1	PLATE CAM MPR	add
16	LJ0323001	1	PLATE CAM L	add

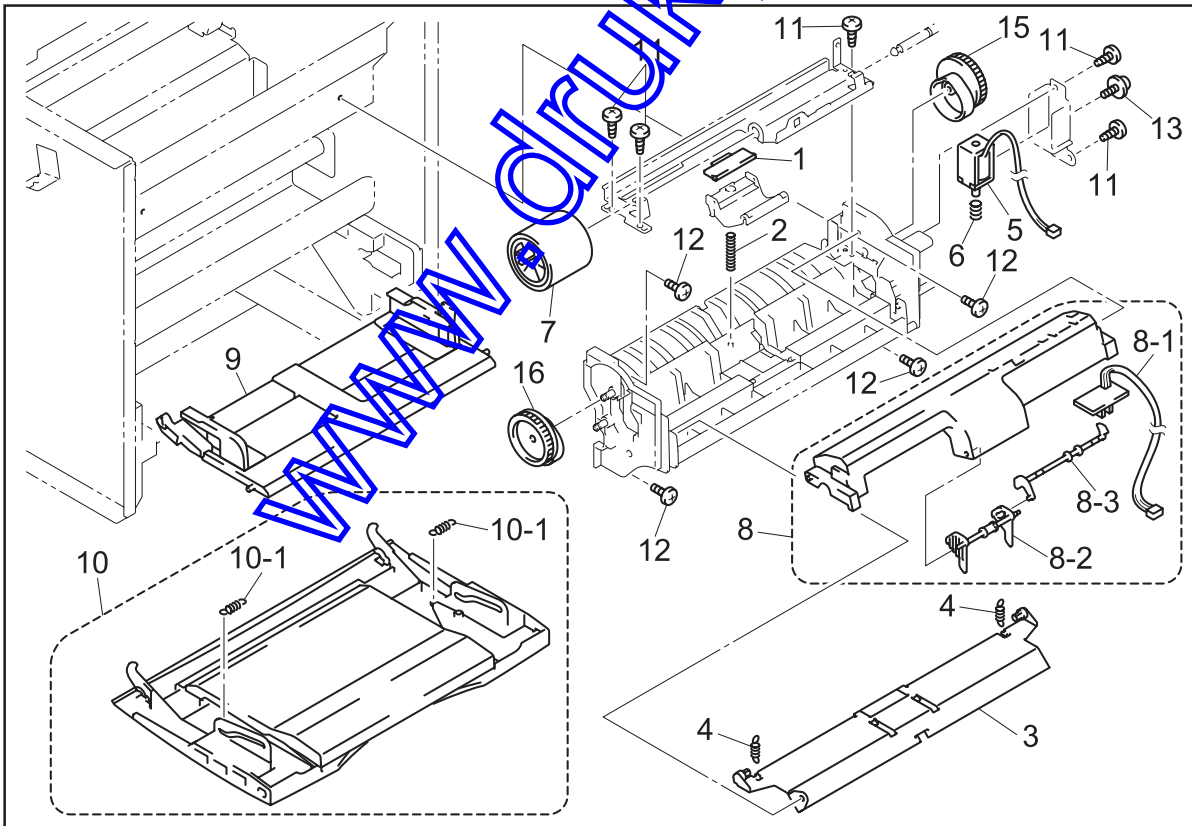
MODEL HL-7050/7050N 84T-U07/08-630

5. PAPER FEED



MODEL HL-7050/7050N 84T-U07/08-630

6. MP TRAY



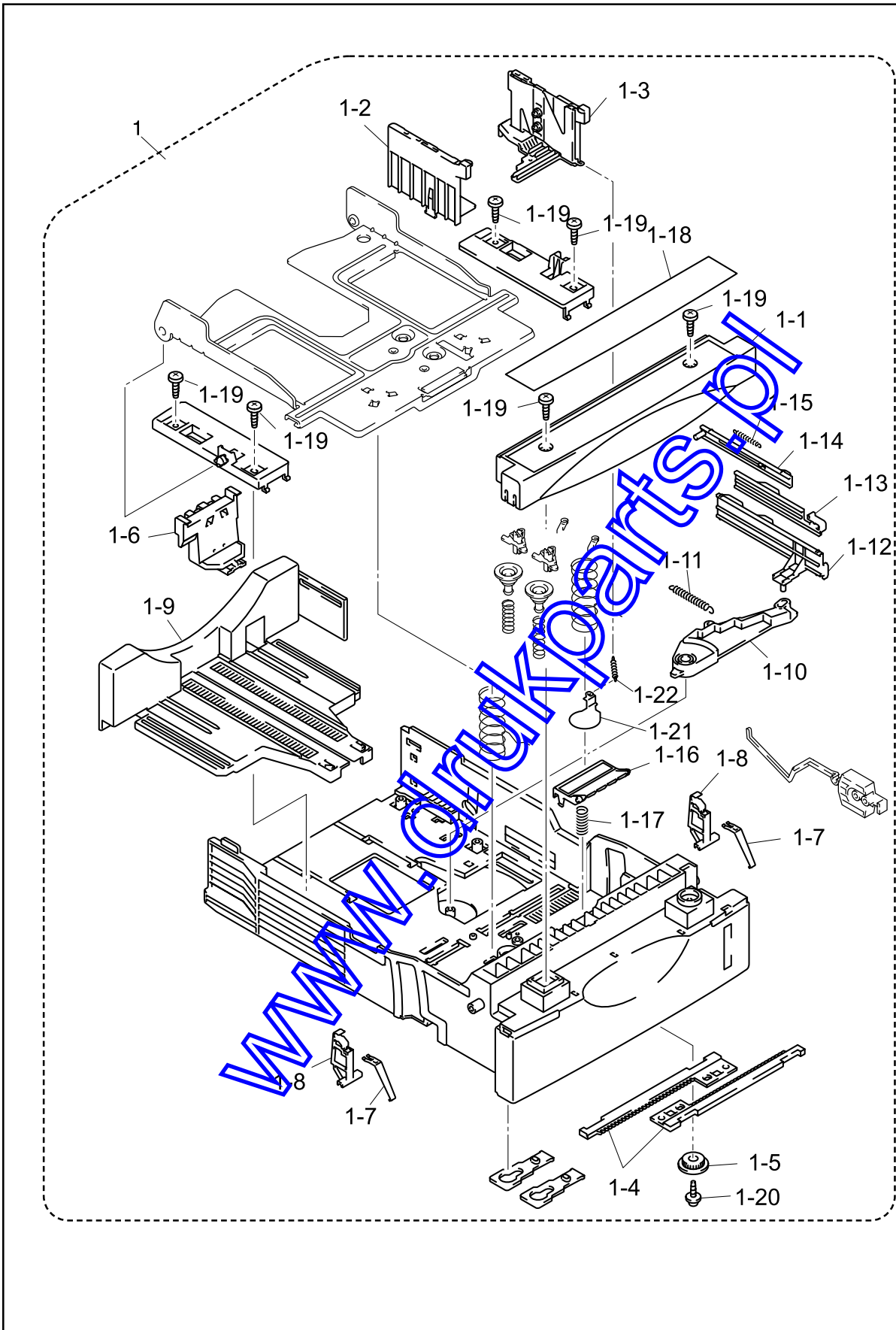
MODEL HL-7050/7050N 84T-U07/08-630

7. PAPER TRAY

REF.NO.	CODE	Q'TY	DESCRIPTION	REMARK
1	LJ1299001	1	PAPER TRAY UNIT (SP)	
1-1	LJ0228001	1	PAPER TRAY COVER	
1-2	LJ0341001	1	SIDE GUIDE L	
1-3	LJ1335001	1	SIDE GUIDE R ASSY *3	
1-4	LJ0819001	2	SIDE GUIDE RACK 2	
1-5	UL9081001	1	SIDE GUIDE GEAR	
1-6	LJ1649001	1	REAR GUIDE ASSY 2	
1-7	LJ0347001	2	SUPPORTER STOPPER SPRING	
1-8	LJ0348001	2	SUPPORTER STOPPER L	
1-9	LJ0351001	1	EX REAR TRAY	
1-10	LJ1660001	1	SIZE DETECTION LINK 2	
1-11	LJ0358001	1	SIZE DETECTION LINK SPRNG	
1-12	LJ0359001	1	SIZE DETECTION CAM *3	
1-13	LJ0360001	1	TRAY 1D DETECTION CAM	
1-14	LJ0361001	1	LTR/LGL DETECTION CAM	
1-15	LJ0362001	1	LTR/LGL DETECTION CAM SPRING	
1-16	LJ0374001	1	SEPARATION PAD ASSY *2	*2 A component part of the PAPER FEEDING KIT. Refer to "18. PERIODICAL MAINTENANCE PARTS".
1-17	LJ0377001	1	SEPARATION PAD SPRING	
1-18	LJ0809001	1	PAPER TRAY LABEL *4	
1-19	085411015	6	TAPTITE, BIND B M4X10	
1-20	UU0552001	1	TAPTITE, CUP B 3X8	
1-21	LJ1338001	1	SGR GROUND PLATE	
1-22	LJ1339001	1	SGR EXTENSION SPRING	*3 When either of the SIDE GUIDE R ASSY (LJ0729001) or the SIZE DETECTION CAM (LJ0359001) needs to be replaced, be sure to replace the both part at the same time. *4 Except for US and Canada. (This label has already been attached to the paper tray unit for US and Canada.)

www.druckparts.pl

7. PAPER TRAY



MODEL HL-7050/7050N 84T-U07/08-650

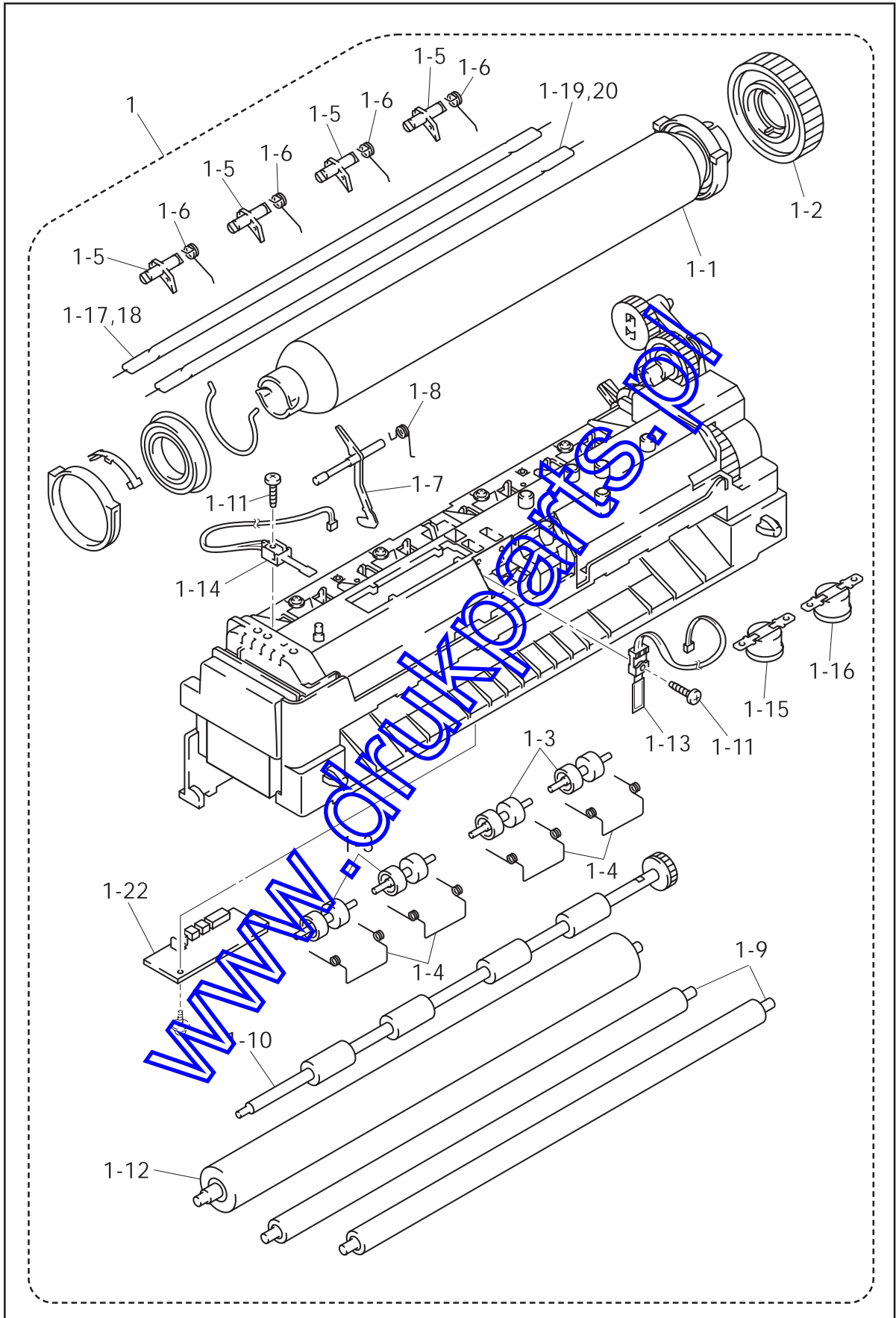
8. FIXING UNIT

REF.NO.	CODE	Q'TY	DESCRIPTION	REMARK
1	LJ1470001	1	FIXING UNIT, 115V (SP)	
1	LJ1473001	1	FIXING UNIT, 230V (SP)	
1-1	LJ1778001	1	HEAT ROLLER 34AM ASSY	
1-2	LJ1350001	1	H/R GEAR 45	
1-3	LJ0772001	4	EJECT PRESSURE ROLLER F	
1-4	LJ0424001	4	PRESSURE SPRING	
1-5	LJ1686001	4	SEPARATE PAWL AM	
1-6	LJ1735001	4	SEPARATE PAWL SPRING AM	
1-7	LJ1356001	1	FU ACTUATOR AM	
1-8	LJ0430001	1	FU ACTUATOR SPRING	
1-9	LJ1712001	2	CLEANER ROLLER ASSY AM	CHG
1-10	LJ0109001	1	EJECT ROLLER ASSY	
1-11	087311415	2	TAPTITE, CUP B M3X14	
1-12	LJ1359001	1	PRESSURE ROLLER 35	
1-13	LJ1344001	1	THERMISTOR ASSY AMC	
1-14	LJ1345001	1	THERMISTOR ASSY AMS	
1-15	LJ1717001	1	THERMOSTAT B	
1-16	LJ1634001	1	THERMOSTAT A	
1-17	LJ1475001	1	FIXING HEATER 115C ASSY (SP)	
1-18	LJ1476001	1	FIXING HEATER 115S ASSY (SP)	
1-19	LJ1477001	1	FIXING HEATER 230C ASSY (SP)	
1-20	LJ1478001	1	FIXING HEATER 230S ASSY (SP)	
1-21	LJ1359001	4	PRESSURE ROLLER 35	DEL
1-22	LJ9152001	1	EJECT SENSOR PCB ASSY	

www.druckparts.pl

MODEL HL-7050/7050N 84T-U07/08-770

8. FIXING UNIT



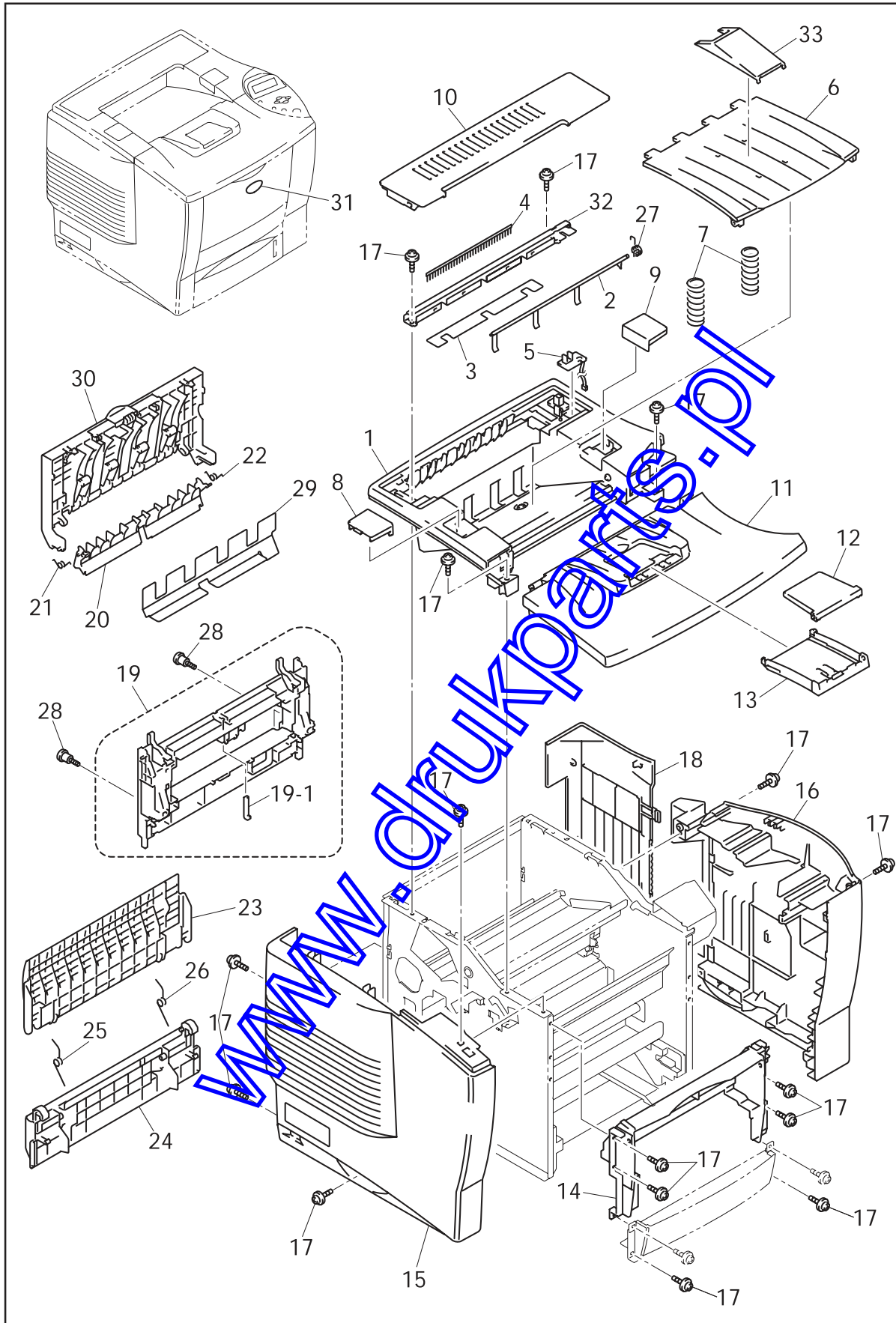
MODEL HL-7050/7050N 84T-U07/08-770

9. COVERS / LABELS

REF.NO.	CODE	Q'TY	DESCRIPTION	REMARK
1	LJ0062001	1	TOP COVER	
2	LJ0063001	1	PAPER ACTUATOR	
3	LJ0830001	1	ACTUATOR PLATE FILM	
4	LJ0065001	1	EJECT DISCHARGING BRUSH	
5	LJ9029001	1	FULL SENSOR PCB ASSY	
6	LJ1793001	1	SWING PAPER TRAY	chng
7	LJ0067001	2	SWING PAPER TRAY SPRING	
8	LJ0068001	1	MX CAP B	
9	LJ0069001	1	MX CAP C	
10	LJ1707001	1	MX CAP A2	
11	LJ0071001	1	OPEN COVER	
12	UH1540002	1	PAPER STOPPER	
13	UH1541002	1	PAPER STOPPER GUIDE	
14	LJ0072001	1	FRONT COVER 1	
15	LJ1085001	1	SIDE COVER L	
16	LJ1086001	1	SIDE COVER R 1	
17	087320816	16	TAPTITE, CUP S M3X8	
18	LJ1087001	1	SIDE COVER R 2	
19	LJ1088001	1	REAR COVER ASSY	
19-1	LJ1819001	1	REAR ACTUATOR 2P	ADD
20	LJ0094001	1	FLAP	
21	LJ0095001	1	FLAP SPRING L	
22	LJ0096001	1	FLAP SPRING R	
23	LJ1654001	1	FU PROTECTION COVER UPPER	
24	LJ1655001	1	FU PROTECTION COVER LOWER	
25	LJ0806001	1	FU PROTECTION COVER SPRING L	
26	LJ0807001	1	FU PROTECTION COVER SPRING R	
27	LJ1782001	1	ACTUATOR SPRING E *1	chng
28	LJ0097001	2	SHOULDER SCREW	
29	LJ0913001	1	REAR FILM	
30	LJ1709001	1	REAR TRAY ASSY B	
31	LJ5030001	1	BROTHER EMBLEM	
32	LJ1779001	1	ACTUATOR PLATE *1	chng
33	LJ1794001	1	SWING PAPER TRAY ATTACHMENT *2	add
				<p>*1 If the ACTUATOR PLATE is the old one, be sure to replace ACTUATOR SPRING E and ACTUATOR PLATE at the same time. Please refer to T/# PR2002178 for the difference between old and new ACTUATOR PLATE.</p> <p>*2 US model only</p>

MODEL HL-7050/7050N 84T-U07/08-400

9. COVERS / LABELS



MODEL HL-7050/7050N 84T-U07/08-400

10. SWITCH PANEL

REF.NO.	CODE	Q'TY	DESCRIPTION	REMARK
1	LU0519001	1	SW PANEL UNIT	CHG
2	LJ1771001	1	PRINTED PANEL COVER	chg
3	LJ0100001	1	LCD HOLDER	
4	LJ0456001	1	DIFFUSION FILM	
5	LJ5296001	1	PANEL LIGHT GUIDE	
6	LJ5297001	1	KEY	
7	LJ5298001	1	KEY TOP A	
8	LJ5299001	1	KEY TOP B	
9	LJ0103001	1	PANEL REAR COVER	
10	LV0109001	1	PANEL PCB ASSY	CHG
11	LV0111001	1	LCD:LMG162S5-TT	CHG
12	LJ9033001	1	BACK LIGHT PCB ASSY	
13	LJ1592001	1	CLEAR PANEL ASSY HL-7050	
14	087310816	5	TAPTITE, CUP B M3X8	

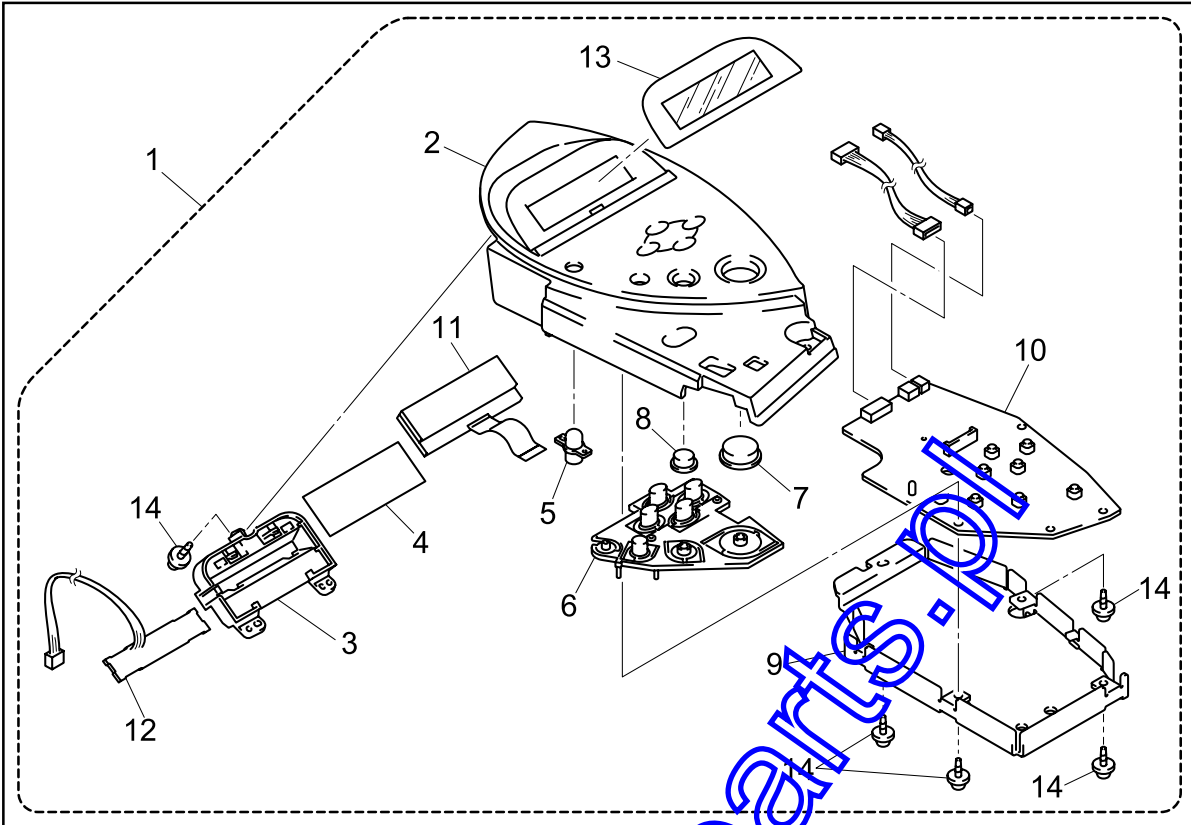
MODEL HL-7050/7050N 84T-U07/08-410

11. MAIN PCB

REF.NO.	CODE	Q'TY	DESCRIPTION	SYMBOL	REMARK
1	LM9032001	1	MAIN PCB ASSY, HL-7050	200K	CHG

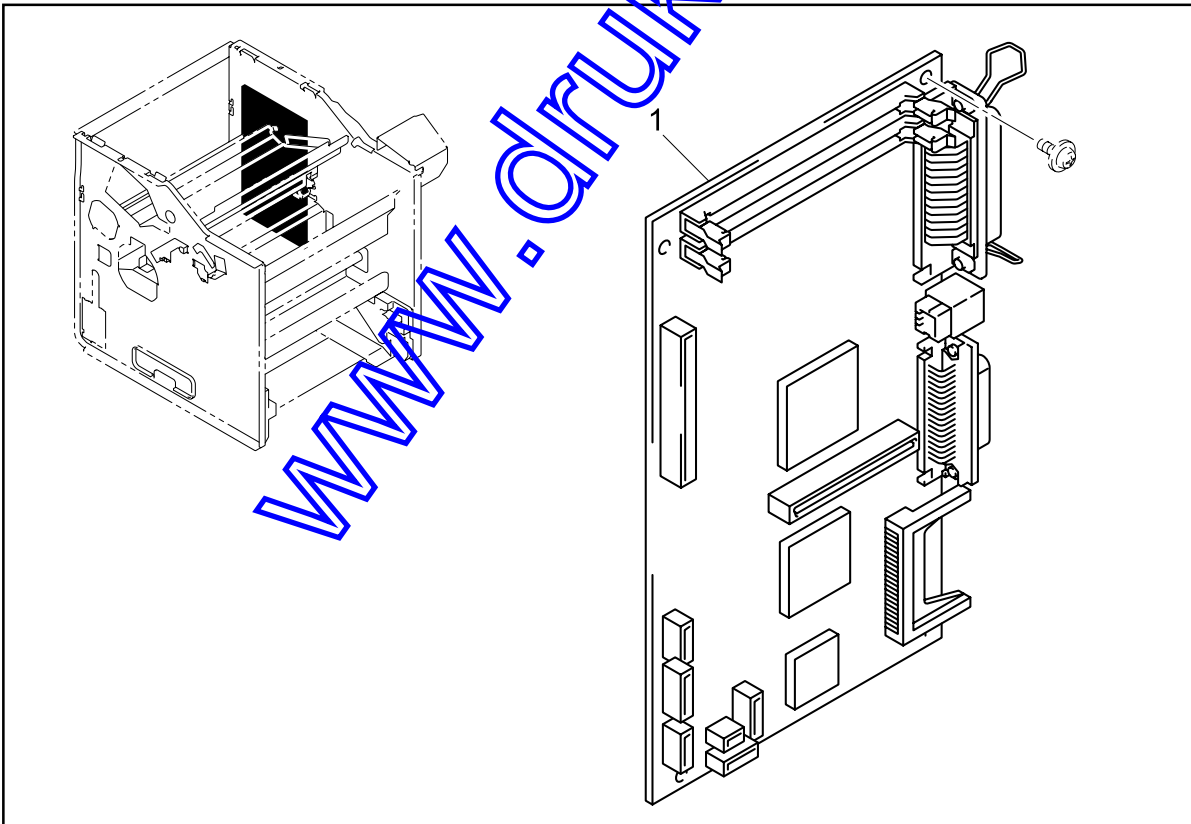
MODEL HL-7050/7050N 84T-U07/08-103

10. SWITCH PANEL



MODEL HL-7050/7050N 84T-U07/08-410

11. MAIN PCB



MODEL HL-7050/7050N 84T-U07/08-103

12. ENGINE PCB

REF.NO.	CODE	Q'TY	DESCRIPTION	SYMBOL	REMARK
1	LM9119001	1	ENGINE PCB ASSY, HL-AM		CHG
2	LJ0821001	2	ENGINE PCB SUPPORT		

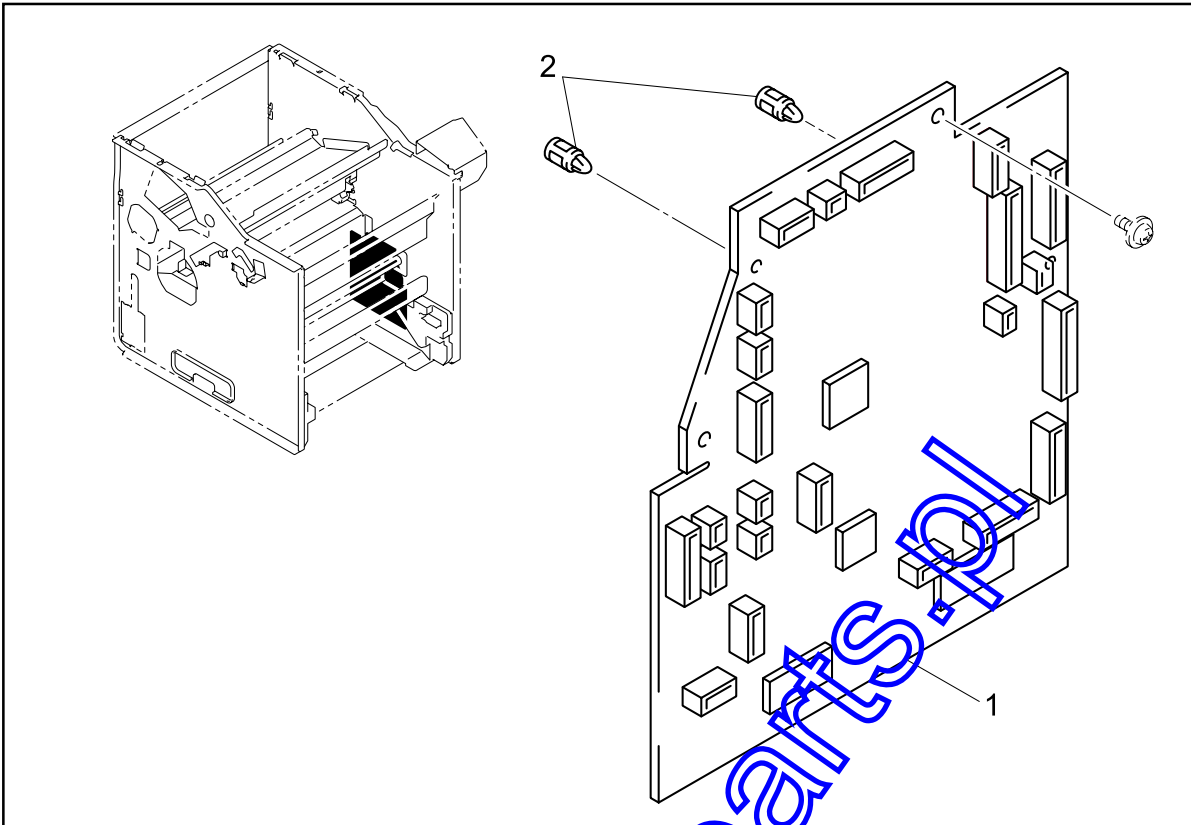
MODEL HL-7050/7050N 84T-U07/08-104

13. HIGH-VOLTAGE POWER SUPPLY PCB

REF.NO.	CODE	Q'TY	DESCRIPTION	SYMBOL	REMARK
1	LJ9018001	1	HVPS PCB ASSY, AM		
2	LJ0051001	2	TRANSFER PLATE		
3	087320616	1	TAPTITE, CUP 3 M3 X6		
4	085411015	2	TAPTITE, BIND B M4 X10		

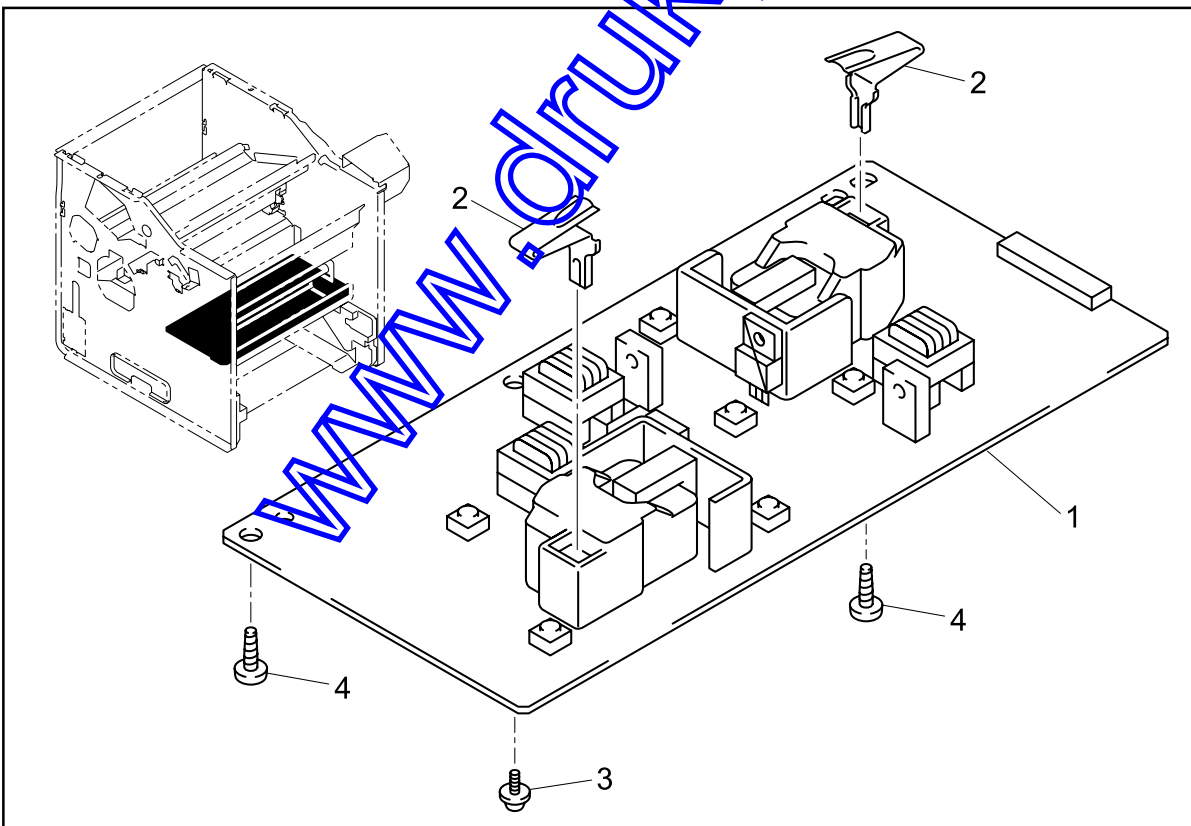
MODEL HL-7050/7050N 84T-U07/08-200

12. ENGINE PCB



MODEL HL-7050/7050N 84T-U07/08-104

13. HIGH-VOLTAGE POWER SUPPLY PCB



MODEL HL-7050/7050N 84T-U07/08-200

14. LOW-VOLTAGE POWER SUPPLY PCB

REF.NO.	CODE	Q'TY	DESCRIPTION	SYMBOL	REMARK
1	LJ9132001	1	LVPS PCB ASSY 7050, 115V(SP)		
1	LJ9133001	1	LVPS PCB ASSY 7050, 230V(SP)		
1-1	LJ9019001	1	LVPS PCB ASSY, 115V		add
1-1	LJ9075001	1	LVPS PCB ASSY, 230V		add
1-2	LJ9020001	1	INLET UNIT, 115V		chg
1-2	LJ9076001	1	INLET UNIT, 230V		chg
2	0A5350606	1	SCREW, PAN (S/P WASHER) M3.5X6		chg
3	087320616	3	TAPTITE, CUP S M3X6		chg

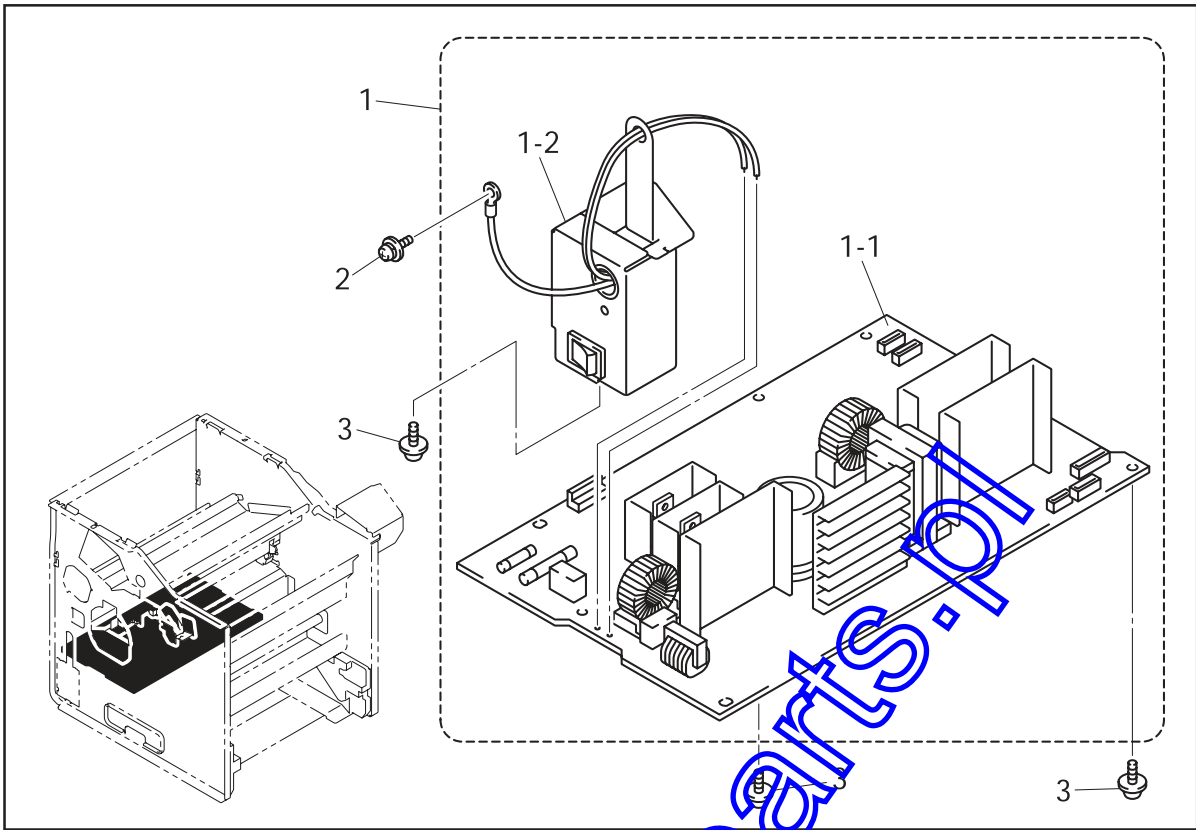
MODEL HL-7050/7050N 84T-U07/08-300

15. AC CORDS

REF.NO.	CODE	Q'TY	DESCRIPTION	SYMBOL	REMARK
1A	LJ8980001	1	AC CORD, UL/CSA, 15A		
1B	LJ9103001	1	AC CORD ASSY LF, VDE		
1C	LJ9921001	1	AC CORD ASSY LF, BS/PSB		chg
1D	LJ9666001	1	AC CORD LF, SAA		chg
1E	LJ9254001	1	AC CORD ASSY LF, SEV		
1F	LJ9256001	1	AC CORD ASSY LF, DEMKO		
1G	LM9288001	1	AC CORD ASSY LF, ISRAEL		CHG
1H	LJ9295001	1	AC CORD ASSY LF, SOUTH AFRICA		chg

MODEL HL-7050/7050N 84T-U07/08-050

14. LOW-VOLTAGE POWER SUPPLY PCB



MODEL HL-7050/7050N 84T-U07/08-050

15. AC CORDS

1A		1F	
1B		1G	
1C		1H	
1D			
1E			

MODEL HL-7050/7050N 84T-U07/08-050

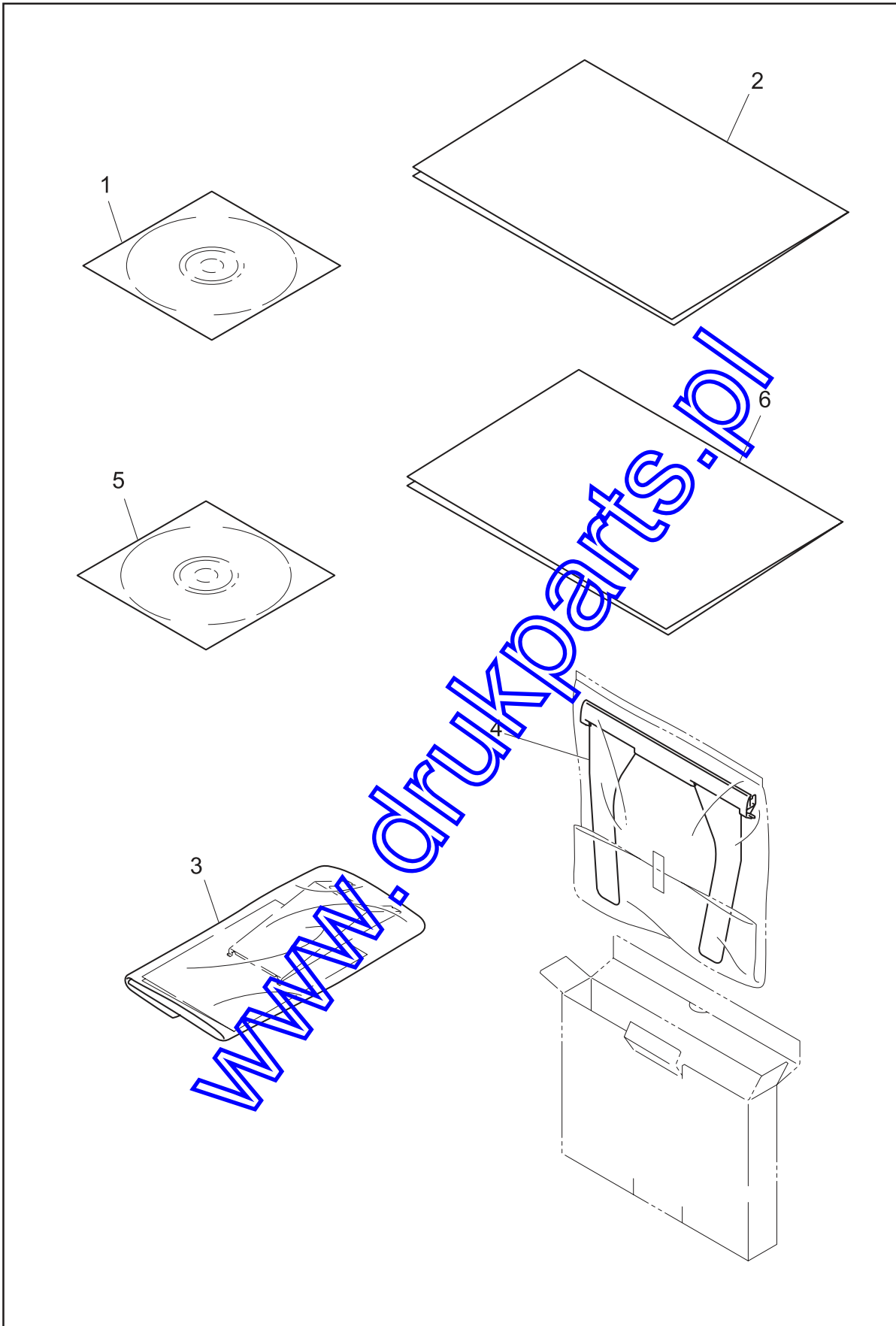
16. ACCESSORIES

REF.NO.	CODE	Q'TY	DESCRIPTION	REMARK
1	LJ1494001	1	CD ASSY	
2	LJ1467001	1	SET UP GUIDE ENG	
2	LJ1616001	1	SET UP GUIDE FRE	
2	LJ1465001	1	SET UP GUIDE GER	
2	LJ1620001	1	SET UP GUIDE NOR	
2	LJ1617001	1	SET UP GUIDE NL	
2	LJ1669001	1	SET UP GUIDE DEN	
2	LJ1619001	1	SET UP GUIDE SPA	
2	LJ1622001	1	SET UP GUIDE POR	
2	LJ1618001	1	SET UP GUIDE ITA	
2	LJ1621001	1	SET UP GUIDE SWE	
3	LJ1797001	1	TRAY ATTACHMENT ASSY *1	chg
4	LJ1804001	1	PAPER UPPER GUIDE UNIT (SP)	add
5	LU0428001	1	CD-ROM ASSY VISTA	ADD
6	LU0354001	1	SET UP GUIDE VISTA ENG	ADD
6	LU0355001	1	SET UP GUIDE VISTA GER	ADD
6	LU0356001	1	SET UP GUIDE VISTA FRE	ADD
6	LU0357001	1	SET UP GUIDE VISTA NL	ADD
6	LU0358001	1	SET UP GUIDE VISTA ITA	ADD
6	LU0359001	1	SET UP GUIDE VISTA SPA	ADD
6	LU0360001	1	SET UP GUIDE VISTA POR	ADD
6	LU0361001	1	SET UP GUIDE VISTA NOR	ADD
6	LU0362001	1	SET UP GUIDE VISTA SWE	ADD
6	LU0363001	1	SET UP GUIDE VISTA DEN	ADD

*1 Except for US model

MODEL HL-7050/7050N 84T-U07/08-920

16. ACCESSORIES



MODEL HL-7050/7050N 84T-U07/08-920

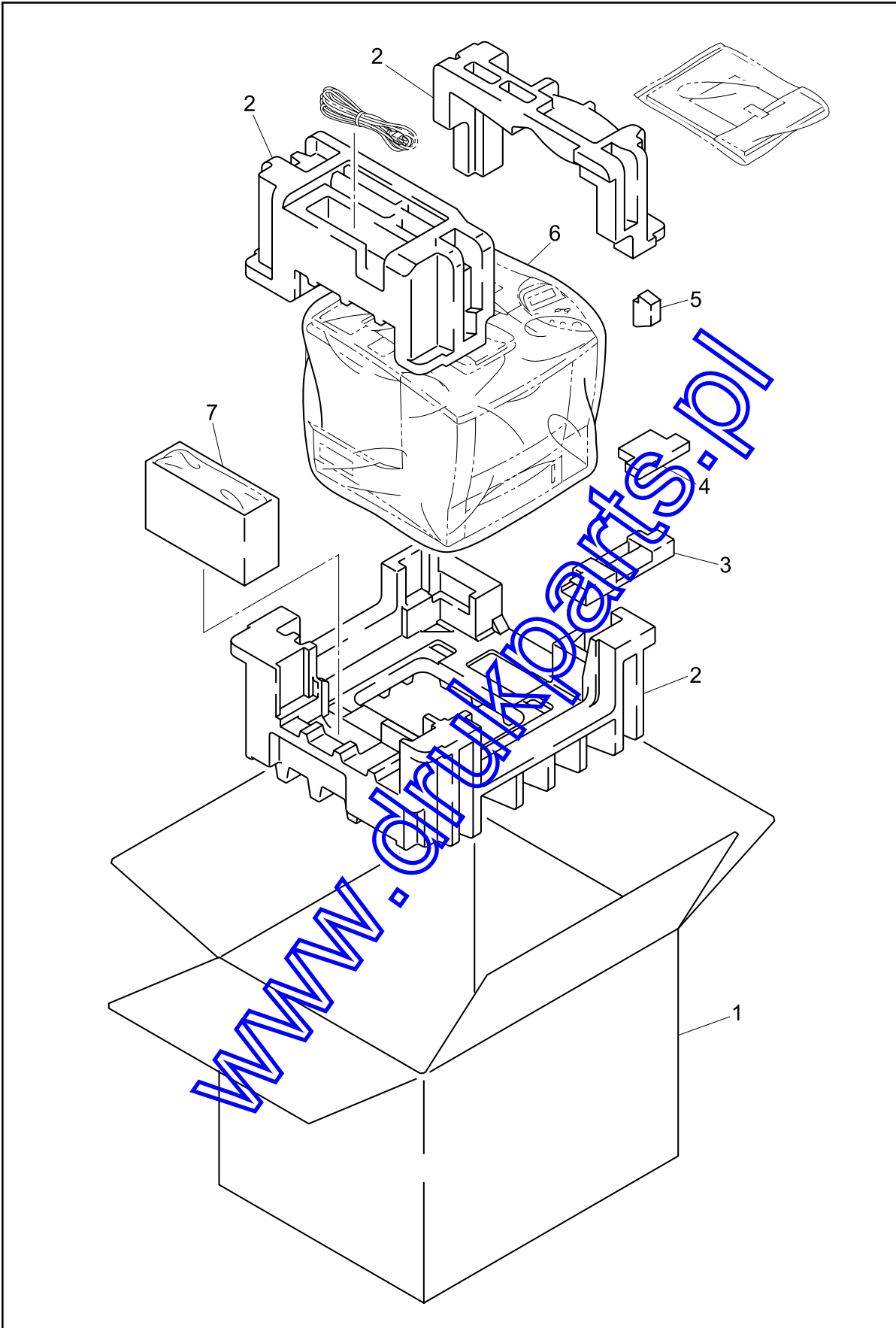
17. PACKING MATERIALS

REF.NO.	CODE	Q'TY	DESCRIPTION	REMARK
1	LJ1496001	1	CARTON, HL-7050 US	
1	LJ1718001	1	CARTON, HL-7050N US	
1	LJ1635001	1	CARTON, HL-7050 EUR	
1	LJ1719001	1	CARTON, HL-7050N EUR	
2	LJ1497001	1	STYROFOAM ASSY	
3	LJ1738001	1	TRAY HOLD PAD	
4	LJ0973001	1	SPACER MP	
5	LJ0852001	1	SWING PAPER TRAY HOLDER	
6	LJ0763001	1	BAG, 1000X1000H	
7	LJ1615001	1	CARTRIDGE CARTON	

www.drukparts.pl

MODEL HL-7050/7050N 84T-U07/08-930

17. PACKING MATERIALS



MODEL HL-7050/7050N 84T-U07/08-930

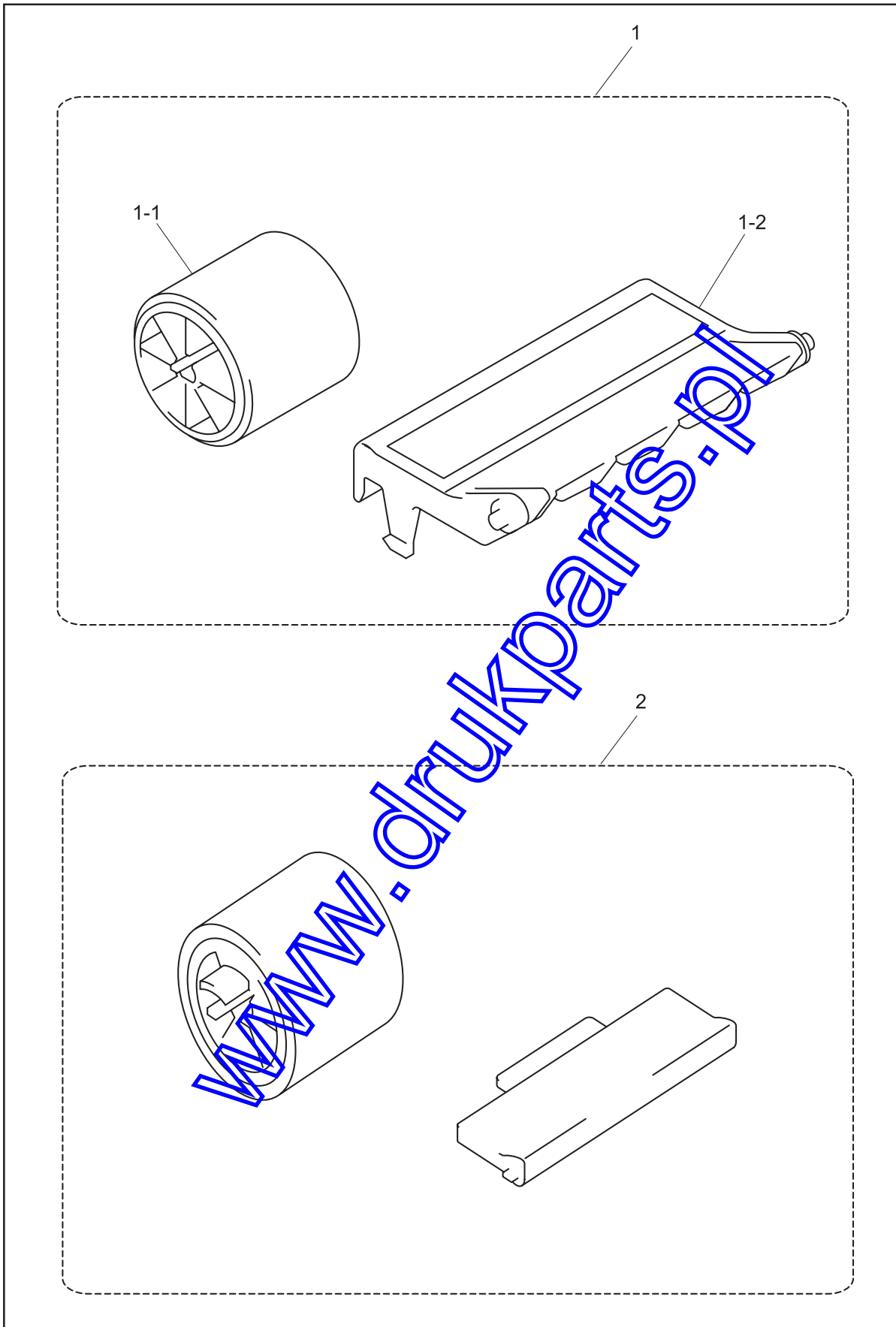
18. PERIODICAL MAINTENANCE PARTS

REF.NO.	CODE	Q'TY	DESCRIPTION	REMARK
1	LJ0977001	1	PAPER FEEDING KIT	ADD
1-1	LJ0270001	1	PAPER FEED ROLLER ASSY 45 *1	
1-2	LJ0374001	1	SEPARATION PAD ASSY *2	
2	LJ0991001	1	PAPER FEEDING KIT MP	
			*1 Refer to "5. PAPER FEED". *2 Refer to "7. PAPER TRAY".	

www.drukparts.pl

MODEL HL-7050/7050N 84T-U07/08-940

18. PERIODICAL MAINTENANCE PARTS



MODEL HL-7050/7050N 84T-U07/08-940

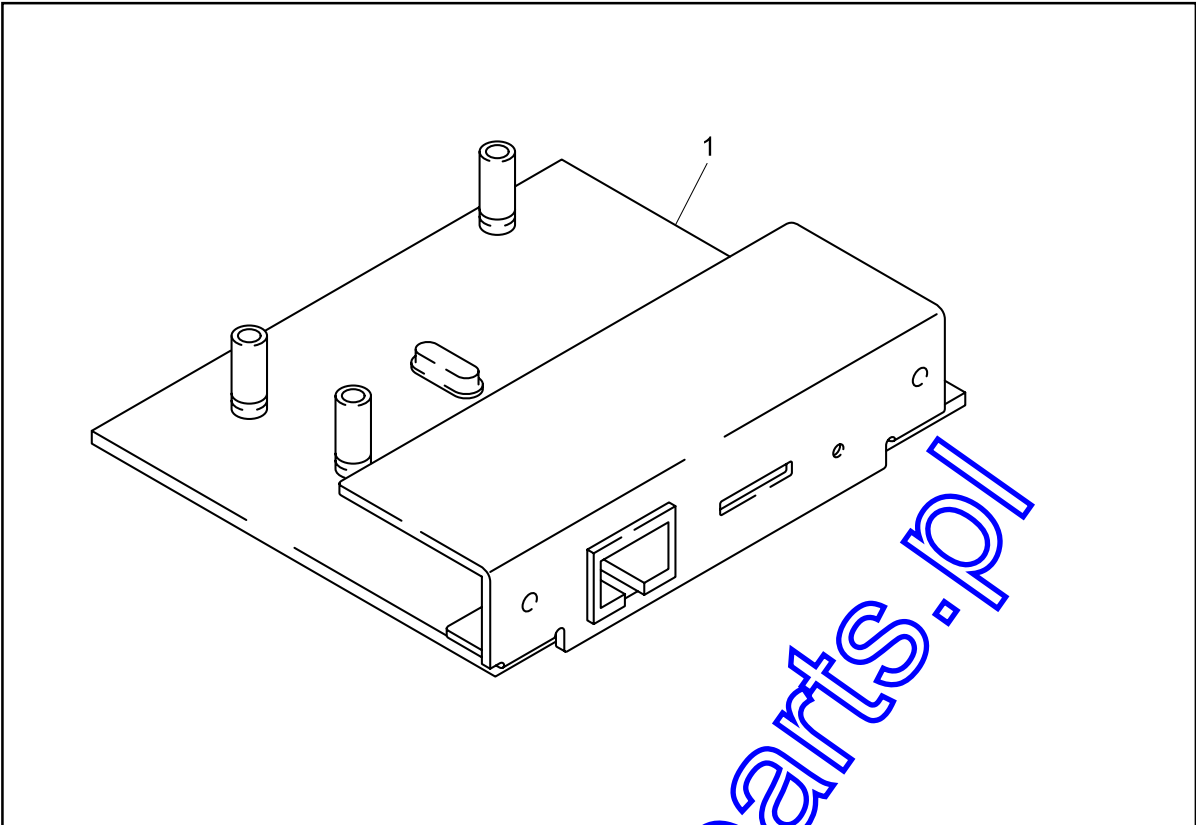
19. NETWORK BOARD

REF.NO.	CODE	Q'TY	DESCRIPTION	REMARK
1	LJ8671001	1	BRNET PCB UNIT 4100H	

www.drukparts.pl

MODEL HL-7050/7050N 84T-U07/08-150

19. NETWORK BOARD



MODEL HL-7050/7050N 84T907/08-150

20. TCO099

REF.NO.	CODE	Q'TY	DESCRIPTION	REMARK
1	LJ1791001	1	SW PANEL UNIT (SP)	DELETE
2	LJ9031002	1	PANEL PCB ASSY (with buzzer)	DELETE
			* See "10. SWITCH PANEL". * Refer to parts change information # PrPn030013.	

www.drukparts.pl