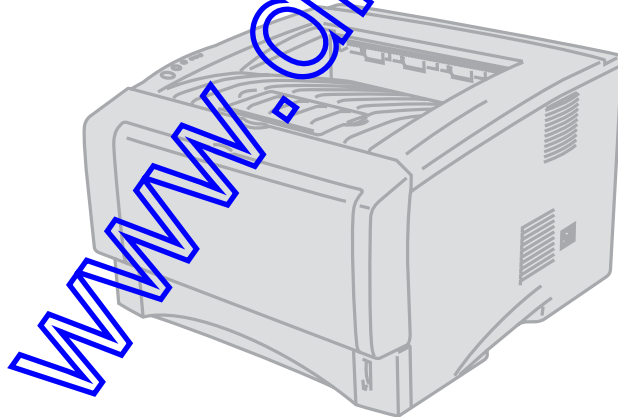




Brother Laser Printer **PARTS REFERENCE LIST**

**MODEL:
HL-5130/5140/5150/5170DN
5150DLT/5170DNL**



Read this list thoroughly before maintenance work.

Keep this list in a convenient place for quick and easy reference at all times.

NOTE FOR USING THIS PARTS REFERENCE LIST

1. In the case of ordering parts, it needs mentioning the following items:

- (1) Code
- (2) Q'ty
- (3) Description
- (4) Symbol (PCB No. etc)

< Example >

REF.NO.	(1) CODE	(2) Q'TY	(3) DESCRIPTION	(4) SYMBOL	REMARK

Revision No.: marked on the **main printed circuit board**.

B48K056

Circuit board No.

2. Design-changed parts :

If the parts are changed, any one of the following symbols is indicated in the REMARKS column.

CNG(cng) : The part is changed to a new part.

ADD(add) : The part is newly added.

DEL(del) : The part is deleted.

Symbol in capital letters indicates that the change is the latest one in the page.

3. The original of this list was made based on the information available in December 2003.

4. Parts are subject to change in design without prior notice.

CONTENTS

1.	<u>FRAME L/ DRIVE UNIT</u>	1
2.	<u>FRAME R UNIT</u>	1
3.	<u>FRAME UNIT</u>	3
4.	<u>LASER UNIT</u>	3
5.	<u>PAPER FEEDER</u>	5
6.	<u>MP UNIT (HL-5150D/5170DN ONLY)</u>	5
7.	<u>DX (HL-5150D/5170DN ONLY)</u>	7
8.	<u>PAPER TRAY</u>	9
9.	<u>FIXING UNIT</u>	11
10.	<u>COVERS / LABELS</u>	13
11.	<u>MAIN PCB</u>	15
12.	<u>ENGINE PCB</u>	17
13.	<u>LOW-VOTAGE POWER SUPPLY PCB</u>	17
14.	<u>HIGH-VOLTAGE POWER SUPPLY PCB</u>	19
15.	<u>ACCESSORIES</u>	19
16.	<u>PACKING MATERIALS</u>	21
17.	<u>PERIODICAL MAINTENANCE PARTS</u>	21
18.	<u>AC CORDS</u>	23

www.druckparts.pl

1. FRAME L/ DRIVE UNIT

REF.NO.	CODE	Q'TY	DESCRIPTION	SYMBOL	REMARK
1	LM2495001	1	MAIN FRAME L UNIT 30 E		
1	LM2434001	1	MAIN FRAME L UNIT 40 E		
1	LM2490001	1	MAIN FRAME L UNIT 50D E		
1	LM2488001	1	MAIN FRAME L UNIT 70DN E		
1-1	LM2440001	1	MAIN MOTOR ASSY ZL2E		
1-2	LJ7386001	1	F/R SOLENOID ASSY		
1-3	LJ7391001	1	P/R SOLENOID ASSY		
1-4	LJ5014001	1	SOLENOID RELEASE SPRING P/R		
1-5	LJ9166001	1	TONER LED PCB UNIT ASSY ZL2	B512156	
1-6	LJ7403001	2	RUBBER FOOT		
1-7	LG3218001	1	DOCUMENT COVER SENSOR		
1-8	LJ7784001	1	SENSOR CLIP		
1-9	LJ7377001	1	DEVELOP JOINT		
1-10	LJ7376001	1	JOINT SPRING		
1-11	UH3044000	1	GEAR, 40/54Y		
1-12	UL6569000	2	GEAR 17 PLANETARY		
1-13	UL8977001	1	GEAR 45 ARM F/R		
1-14	LM2444001	1	GEAR 20 CENTER F/R		
1-15	LJ7375001	1	DEV DRIVE GEAR ZL2		ADD

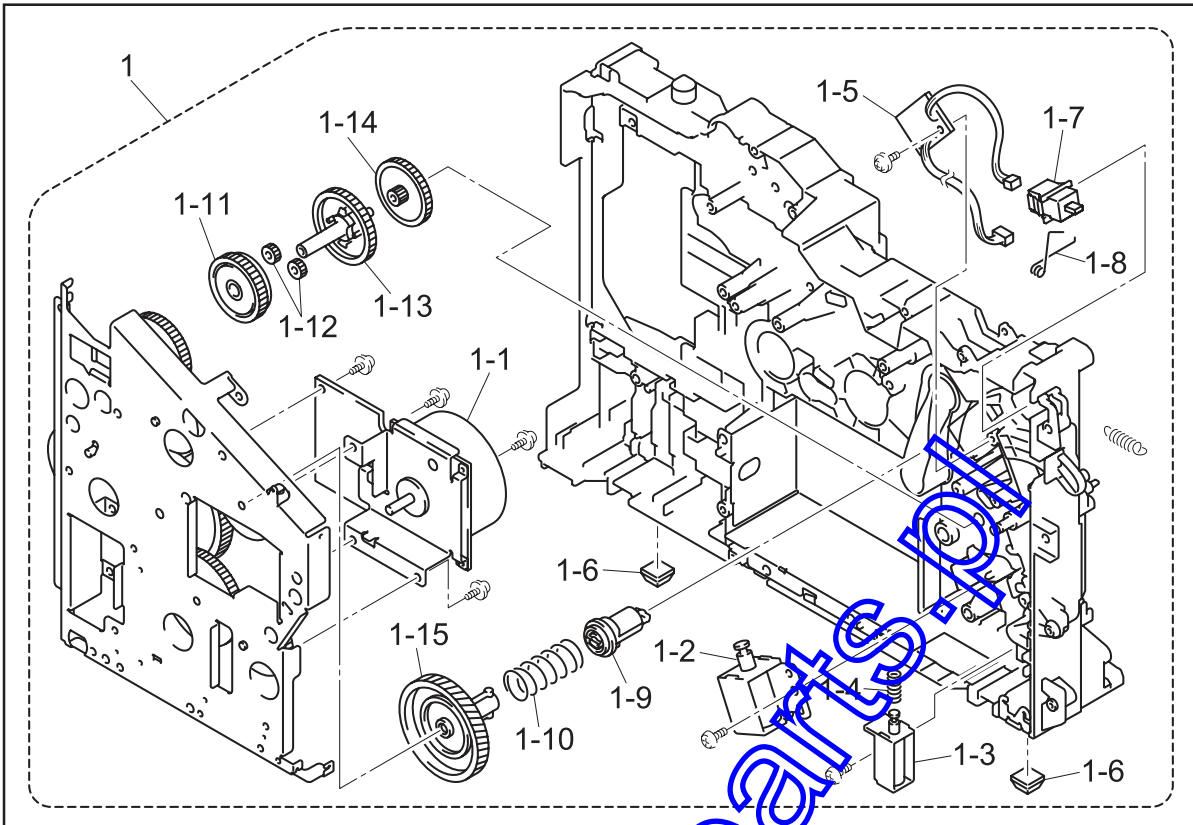
MODEL HL-5130/5140/5150D/5170DN/5150DLT/5170DNLT US 84U-Z71/Z72/Z73/Z74/Z76/Z77-010

2. FRAME R UNIT

REF.NO.	CODE	Q'TY	DESCRIPTION	SYMBOL	REMARK
1	LM2733001	1	MAIN FRAME R UNIT E		chg
1-1	LJ9612001	1	TONER SENSOR PCB UNIT ZL2	B512187	
1-2	LJ7403001	2	RUBBER FOOT		
1-3	LM2731001	1	TE FILM		add

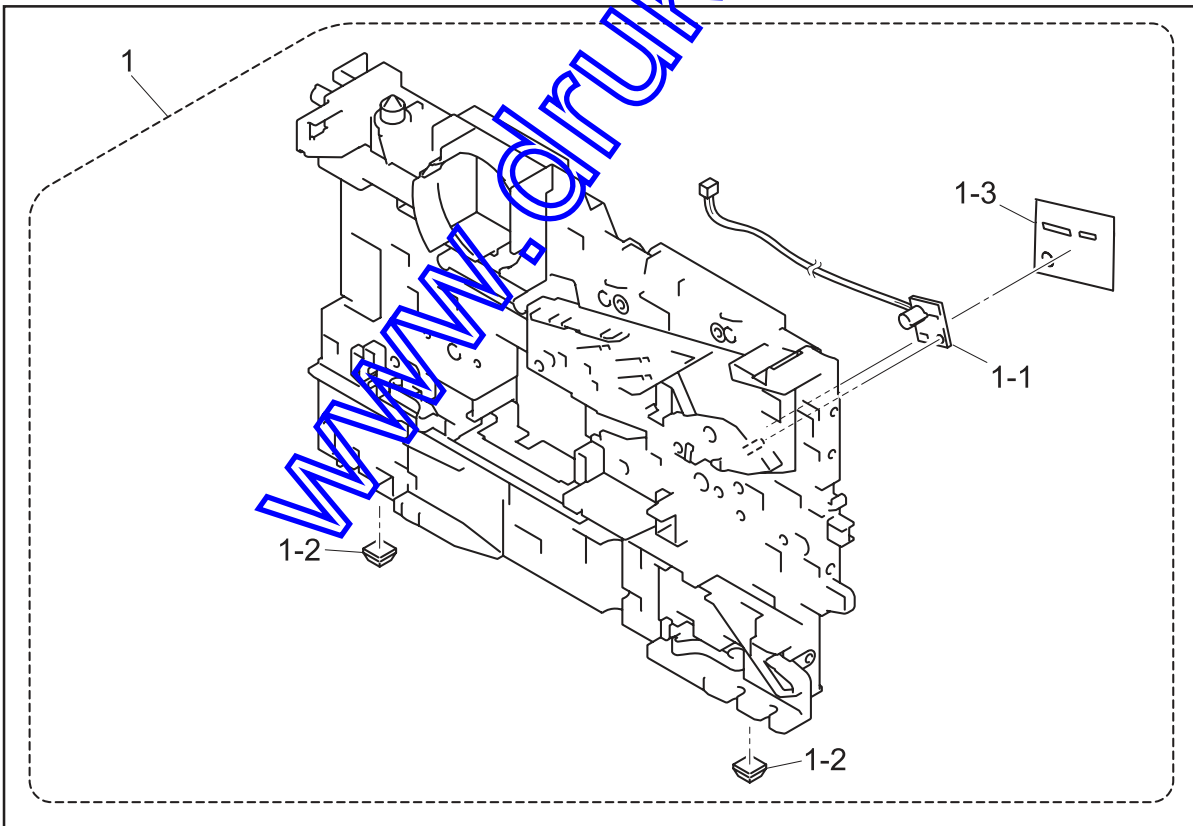
MODEL HL-5130/5140/5150D/5170DN/5150DLT/5170DNLT US 84U-Z71/Z72/Z73/Z74/Z76/Z77-011

1. FRAME L / DRIVE UNIT



MODEL HL-5130/5140/5150D/5170DN/5150DLT/5170DNLT US 84U-Z71/Z72/Z73/Z74/Z76/Z77-010

2. FRAME R



MODEL HL-5130/5140/5150D/5170DN/5150DLT/5170DNLT US 84U-Z71/Z72/Z73/Z74/Z76/Z77-011

3. FRAME UNIT

REF.NO.	CODE	Q'TY	DESCRIPTION	REMARK
1	LJ7490001	1	GROUND SPRING	
2	LM2445001	1	FILTER	with white marking
3	LJ7496001	1	SPRING, EXTENSION P/R	
4	LJ7501001	1	MIDDLE ROLLER GEAR	
5	LJ7502001	1	IDLE GEAR 22	
6	LJ7504001	1	GROUND WIRE	
7	LM2473001	1	FAN MOTOR 60 UNIT LV	
8	LM2474001	1	FAN MOTOR 60 UNIT	
9	LJ7579001	1	MP SOLENOID HOLDER UNIT	
10	LM2720001	1	SECTOR GEAR PR ASSY E	ADD
11	UH2378000	1	SPRING HOOK	ADD

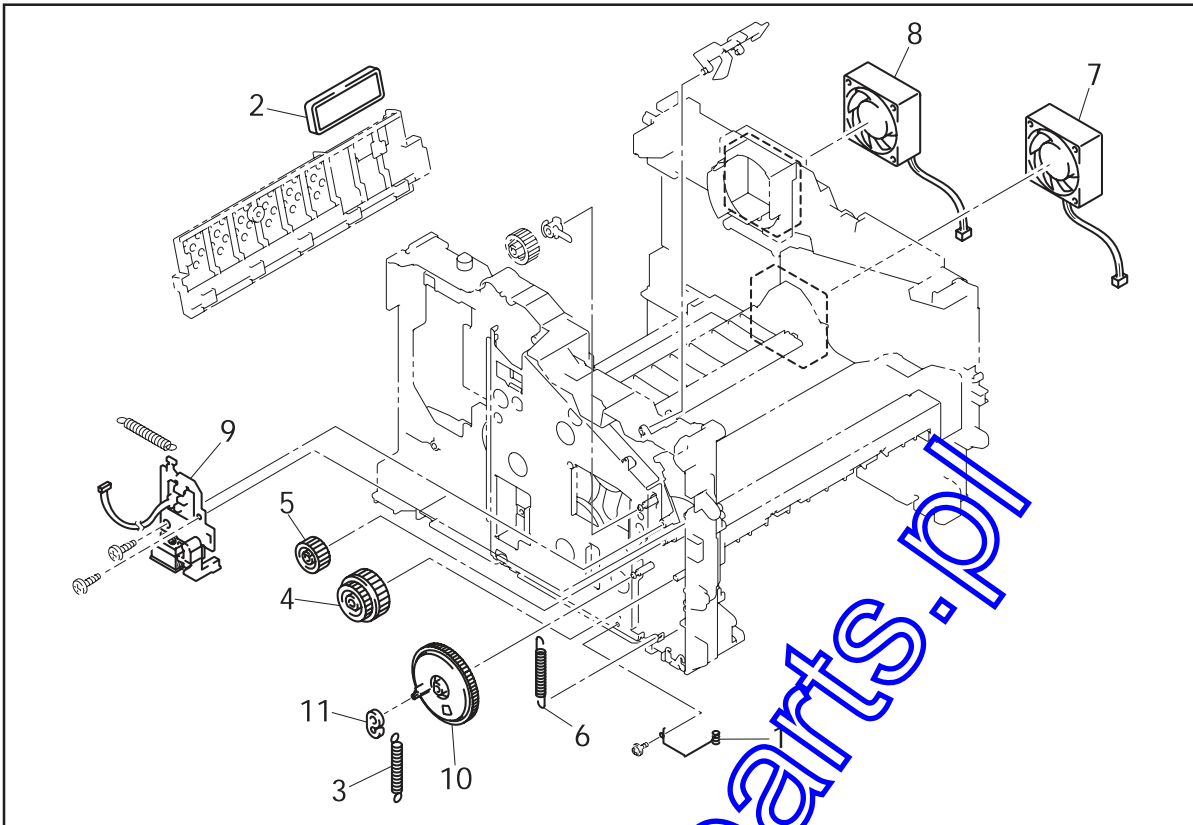
MODEL HL-5130/5140/5150D/5170DN/5150DLT/5170DNLT US 84U-Z71/Z72/Z73/Z74/Z76/Z77-012

4. LASER UNIT

REF.NO.	CODE	Q'TY	DESCRIPTION	REMARK
1	LM2835001	1	LASER UNIT (SP)	CHG
2	085310815	6	TAPTITE, BIND B M3X8	

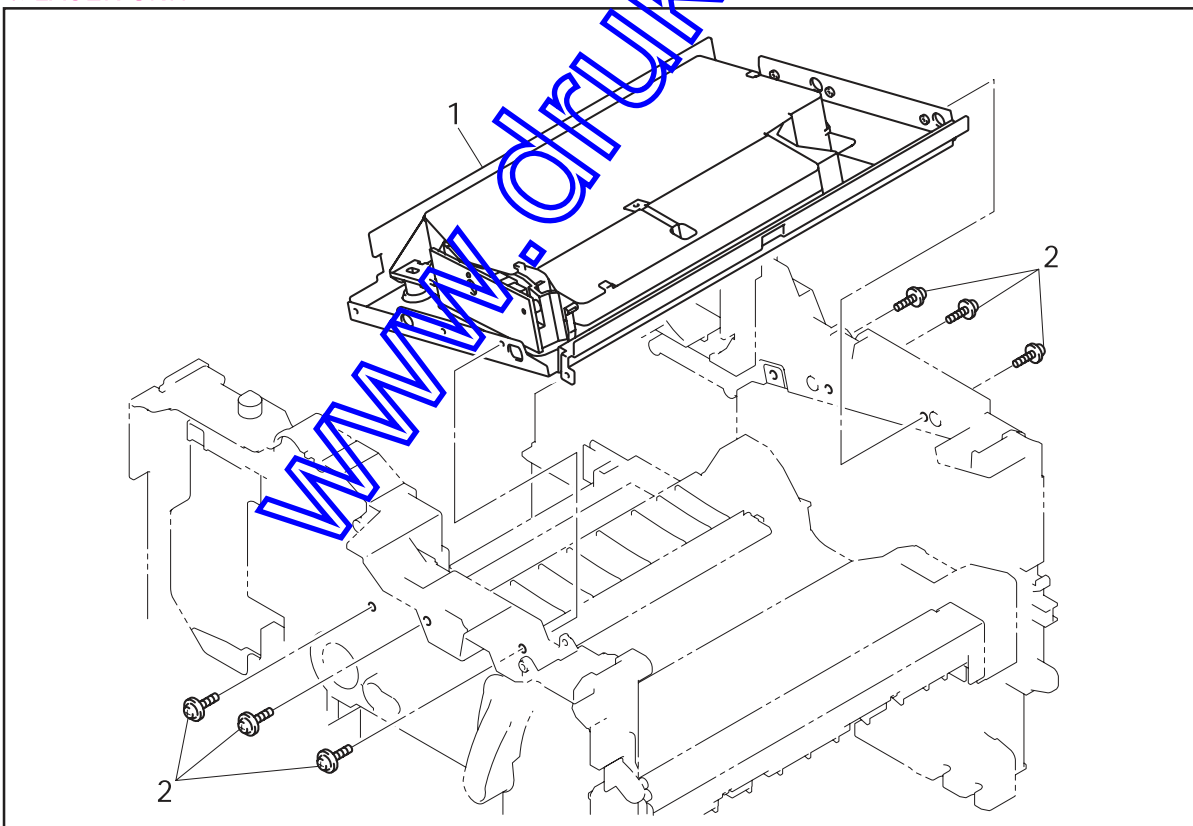
MODEL HL-5130/5140/5150D/5170DN/5150DLT/5170DNLT US 84U-Z71/Z72/Z73/Z74/Z76/Z77-020

3. FRAME UNIT



MODEL HL-5130/5140/5150D/5170DN/5150DLT/5170DNLT US 84U-Z71/Z72/Z73/Z74/Z76/Z77-012

4. LASER UNIT



MODEL HL-5130/5140/5150D/5170DN/5150DLT/5170DNLT US 84U-Z71/Z72/Z73/Z74/Z76/Z77-020

5. PAPER FEEDER

REF.NO.	CODE	Q'TY	DESCRIPTION	SYMBOL	REMARK
1	LJ7322001	1	REGIST FRONT ACTUATOR		
2	LM2590001	1	REGIST FRONT ACTUATOR SPRING		
3	LJ7324001	1	REGIST REAR ACTUATOR		
4	LJ7325001	1	REGIST REAR ACTUATOR SPRING		
5	LJ7703001	1	PAPER PICK-UP ROLLER ASSY ZL2		
6	LM2601001	1	PE ACTUATOR ZL2 (HL-5140/5150D/5170DN)		
7	LJ9235001	1	CASSETTE SENSOR PCB ASSY ZL2 (HL-5140/5150D/5170DN)	B512095	
8	LJ5155001	1	CA ACTUATOR (HL-5140/5150D/5170DN)		
9	LJ5211001	1	PE SENSOR COVER (HL-5140/5150D/5170DN)		
10	LM2033001	1	FRONT CHUTE GUIDE ASSY ZL2		
11	LM2032001	1	FRONT TRAY CHUTE ASSY ZL2		
12	LJ5020001	1	BUSH L		
13	LJ5021001	1	BUSH R		
14	LJ7730001	2	ROLLER COLLAR ZL2		
15	LU0508001	1	ROLLER 6 GUIDE/ ROLLER (SP)		CHG
16	LJ7342001	1	FRONT CHUTE (HL-5130/5140)		add
16	LM2558001	1	FRONT CHUTE (HL-5150D/5170DN/5150DLT)		add

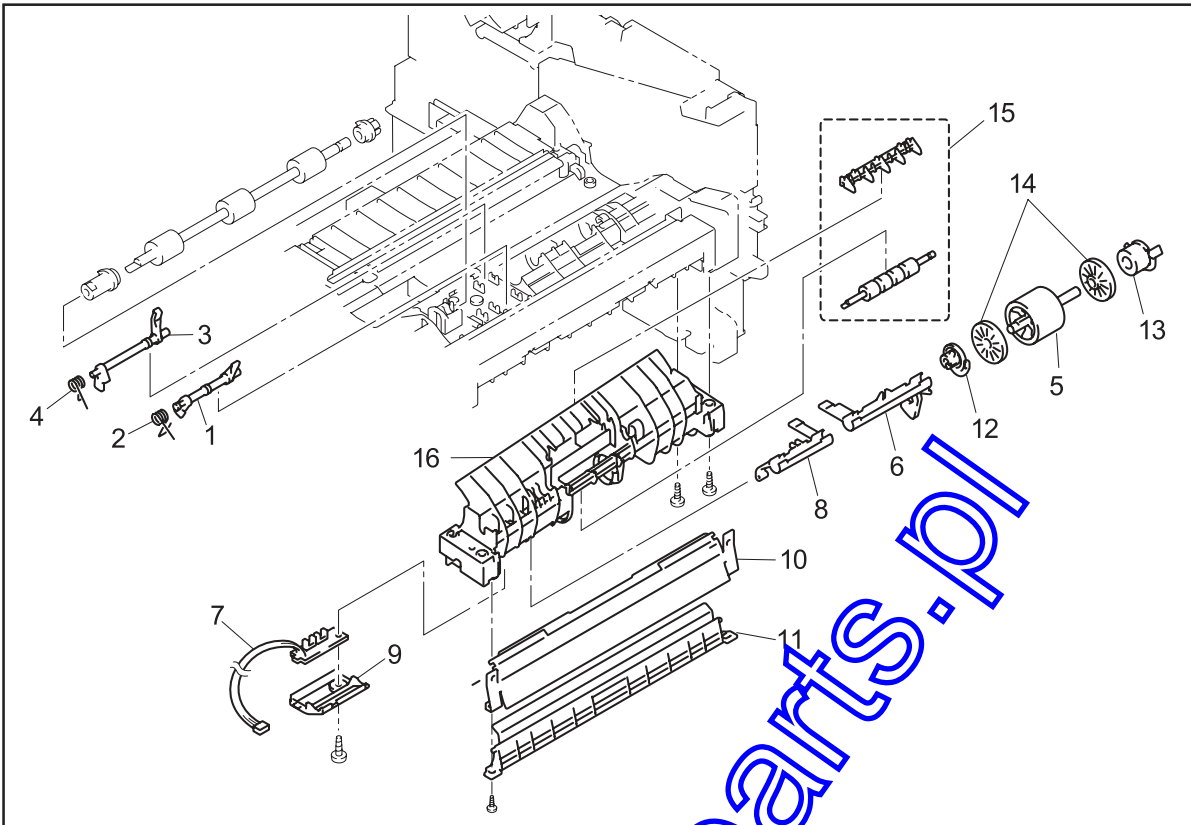
MODEL HL-5130/5140/5150D/5170DN/5150DLT/5170DNLT US 84U-Z71/Z72/Z73/Z74/Z76/Z77-040

6. MP UNIT (HL-5150D/5170DN ONLY)

REF.NO.	CODE	Q'TY	DESCRIPTION	SYMBOL	REMARK
1	LJ7551001	1	MP UNIT ASSY		
1-1	LJ7555001	1	SEPARATION PLATE ASSY		
1-2	LM2050001	1	PAPER PICK-UP ROLLER ASSY (SP)		
1-3	LJ7571001	1	MP-PE ACTUATOR		
1-4	LJ9222001	1	MP-PE SENSOR PCB ASSY ZL2	B512107	
2	LJ7587001	1	MP TRAY ASSY		
3	LM2313001	1	MP FRONT COVER ASSY ZL2E		
3-1	LJ7800001	1	MP COVER RELEASE BUTTON		add
4	LJ7589001	1	MP PAPER GUIDE ASSY		
5	LJ7600001	1	DRIVE RELEASE LINK MP (HL-5150D/5170DN)		add

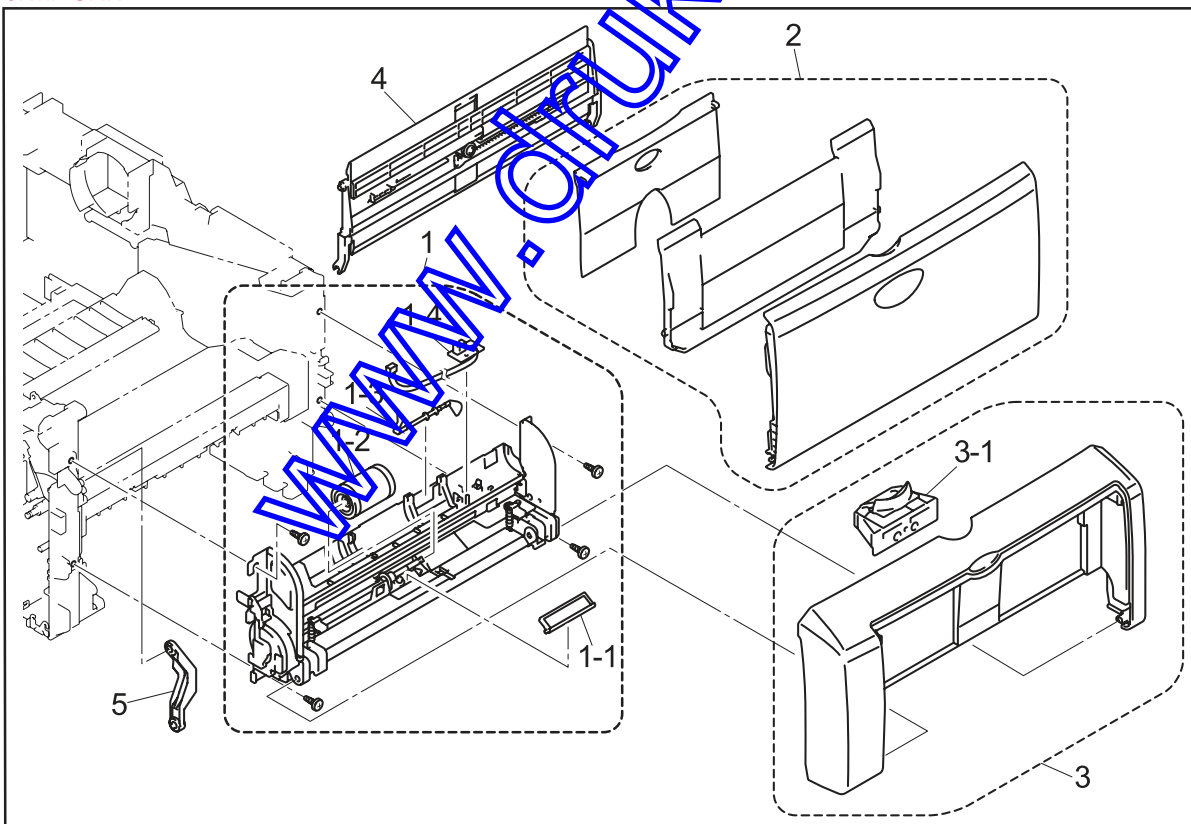
MODEL HL-5150D/5170DN/5150DLT/5170DNLT US 84U-Z73/Z74/Z76/Z77-041

5. PAPER FEEDER



MODEL HL-5130/5140/5150D/5170DN/5150DLT/5170DNLT US84U-Z71/Z72/Z73/Z74/Z76/Z77-040

6. MP UNIT



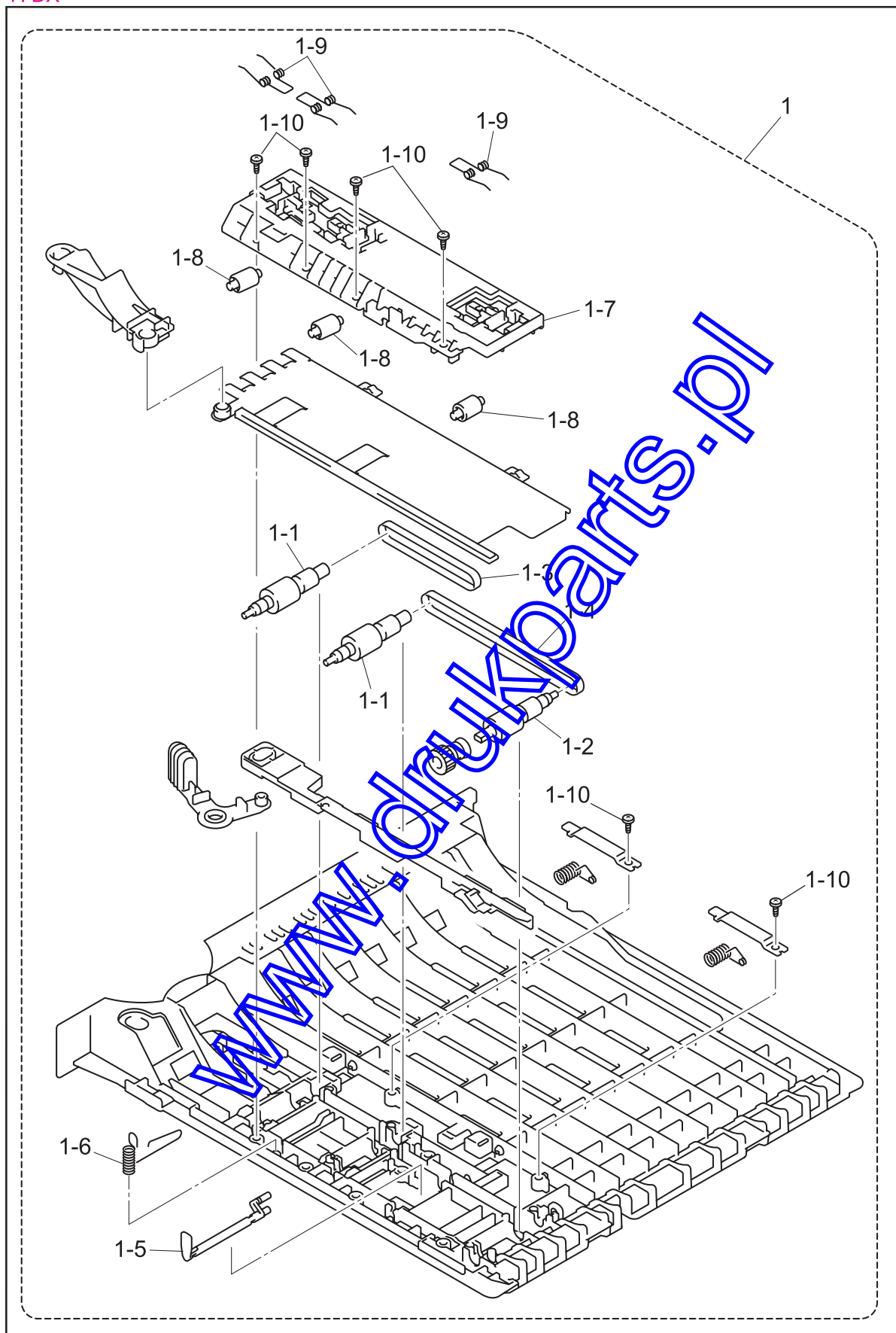
MODEL HL-5130/5140/5150D/5170DN/5150DLT/5170DNLT US84U-Z71/Z72/Z73/Z74/Z76/Z77-041

7. DX (HL-5150D/5170DN ONLY)

REF.NO.	CODE	QTY	DESCRIPTION	REMARK
1	LJ7661001	1	DX FEED ASSY	
1-1	LJ7663001	2	SIDE REGIST ROLLER ZL2	
1-2	LJ7664001	1	DX FEED ROLLER	
1-3	LJ5015001	1	T-BELT (S)	
1-4	LJ5240001	1	T-BELT (L)	
1-5	LJ5248001	1	GUIDE ACTUATOR	
1-6	LJ7669001	1	GROUND WIRE	
1-7	LJ7670001	1	DX ROLLER HOLDER	
1-8	LJ7671001	3	PRESSURE ROLLER	
1-9	LJ7672001	3	PRESSURE ROLLER SPRING	
1-10	085310816	6	TAPTITE, BIND B M3x8	

MODEL HL-5150D/5170DN/5150DLT/5170DNLT US 84U-Z73/Z74/Z76/Z77-042

7. DX



MODEL HL-5150D/5170DN/5150DLT/5170DNLT US 84U-Z73/Z74/Z76/Z77-042

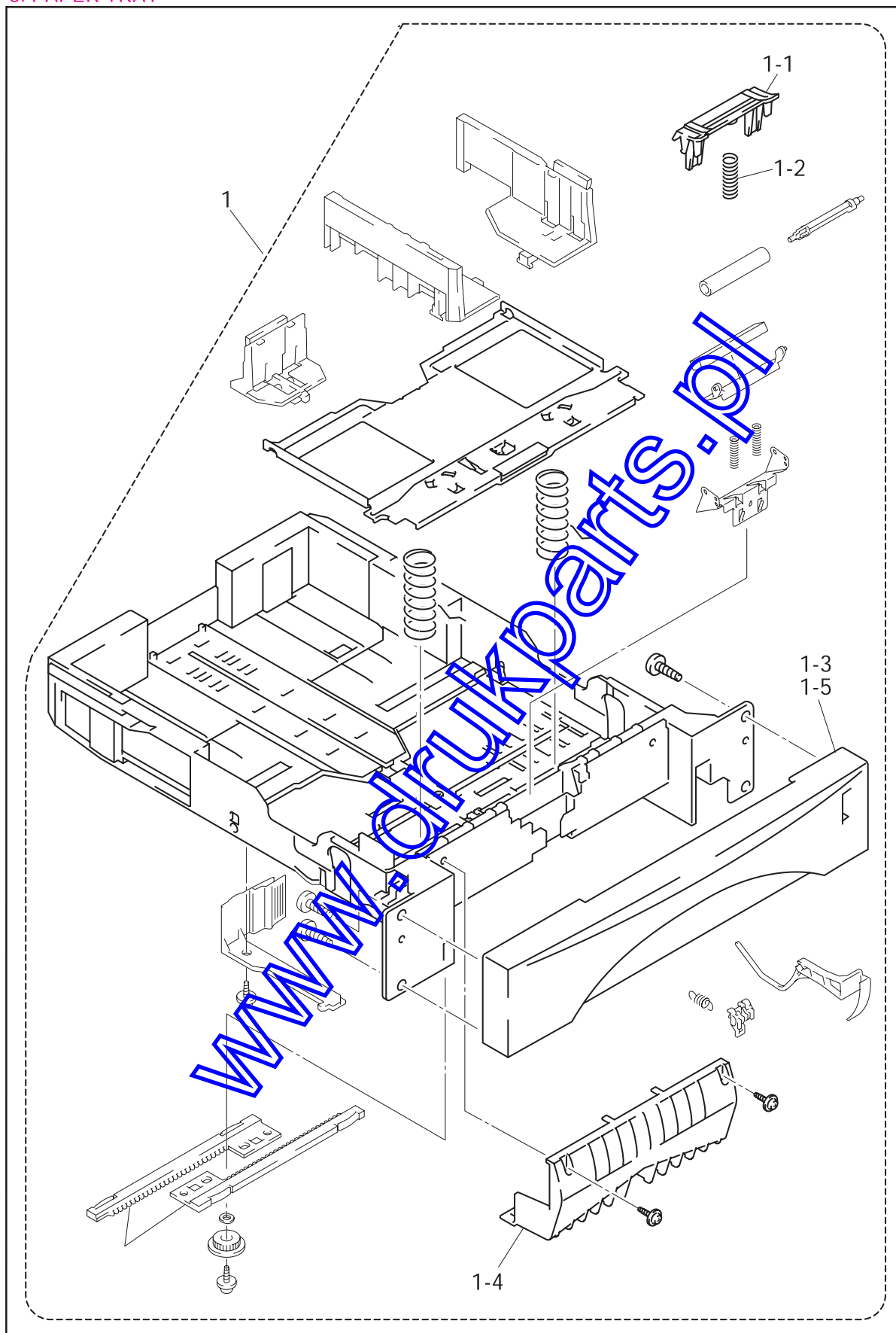
8. PAPER TRAY

REF.NO.	CODE	Q'TY	DESCRIPTION	REMARK
1	LJ7607001	1	PAPER TRAY ASSY ZL2 BRO 2	
1-1	LJ7307001	1	PAD HOLDER ZL2	
1-2	LJ5923001	1	SEPARATION PAD SPRING 350	
1-3	LJ7315001	1	PAPER TRAY FRONT COVER	
1-4	LJ7616001	1	PAPER TRAY COVER	
1-5	LJ7608001	1	PAPER TRAY FRONT COVER LT	

www.drukparts.pl

MODEL HL-5130/5140/5150D/5170DN/5150DLT/5170DNLT US 84U-Z71/Z72/Z73/Z74/Z76/Z77-045

8. PAPER TRAY



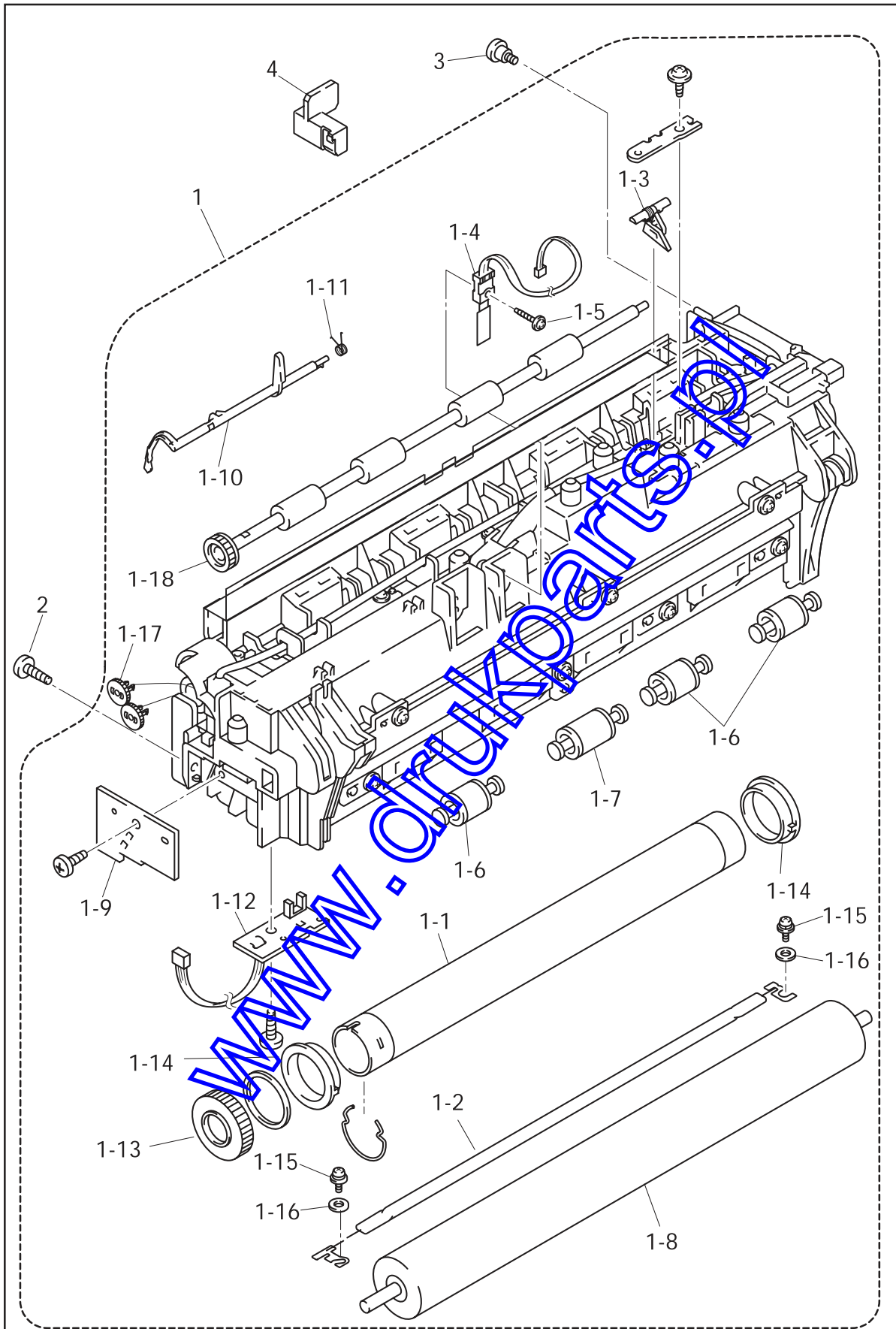
MODEL HL-5130/5140/5150D/5170DN/5150DLT/5170DNLT US 84U-Z71/Z72/Z73/Z74/Z76/Z77-045

9. FIXING UNIT

REF.NO.	CODE	Q'TY	DESCRIPTION	SYMBOL	REMARK
1	LM2578001	1	FIXING UNIT, 230V(SP)		
1	LM2579001	1	FIXING UNIT, 115V(SP)		
1-1	LM2706001	1	HEAT ROLLER 25 2E		
1-2	LJ7539001	1	HALOGEN LAMP, 230V		
1-2	LJ7417001	1	HALOGEN LAMP, 115V		
1-3	LJ7877001	4	SEPARATE CLAW ASSY C		
1-4	LJ7419001	1	THERMISTOR ASSY		
1-5	087311215	1	TAPTITE, CUP B M3X12		
1-6	LJ7428001	3	CLEANER PINCH ROLLER ASSY S		
1-7	LJ7432001	1	CLEANER PINCH ROLLER ASSY L		
1-8	LM2477001	1	PRESSURE ROLLER 25		
1-9	LJ9174001	1	THERMISTOR RELAY PCB ASSY ZL2	B512161	
1-10	LJ5289001	1	PAPER EJECT ACTUATOR		
1-11	LJ5066001	1	EJECT ACTUATOR SPRING		
1-12	LJ9176001	1	EJECT SENSOR PCB ASSY ZL2	B512163	
1-13	LJ7416001	1	HR GEAR 34		
1-14	LJ7414001	2	HR BEARING 25		
1-15	LM2254001	2	SCREW, PAN (S/P WASHER) M26x8		
1-16	LM2255001	2	WASHER, PLAIN 26		
1-17	LM2047001	2	IDLE GEAR 13		
1-18	LJ4118001	1	EJECT ROLLER ASSY		
2	085411216	1	TAPTITE, BIND B M4X12		
3	LJ4740001	1	SHOULDER SCREW		
4	LM2102001	1	FU LAMP ASSEMBLY JIG ASSY		

MODEL HL-5130/5140/5150D/5170DN/5150DLT/5170DNLT US 84U-Z71/Z72/Z73/Z74/Z76/Z77-050

9. FIXING UNIT



MODEL HL-5130/5140/5150D/5170DN/5150DLT/5170DNLT US 84U-Z71/Z72/Z73/Z74/Z76/Z77-050

10. COVERS/ LABELS

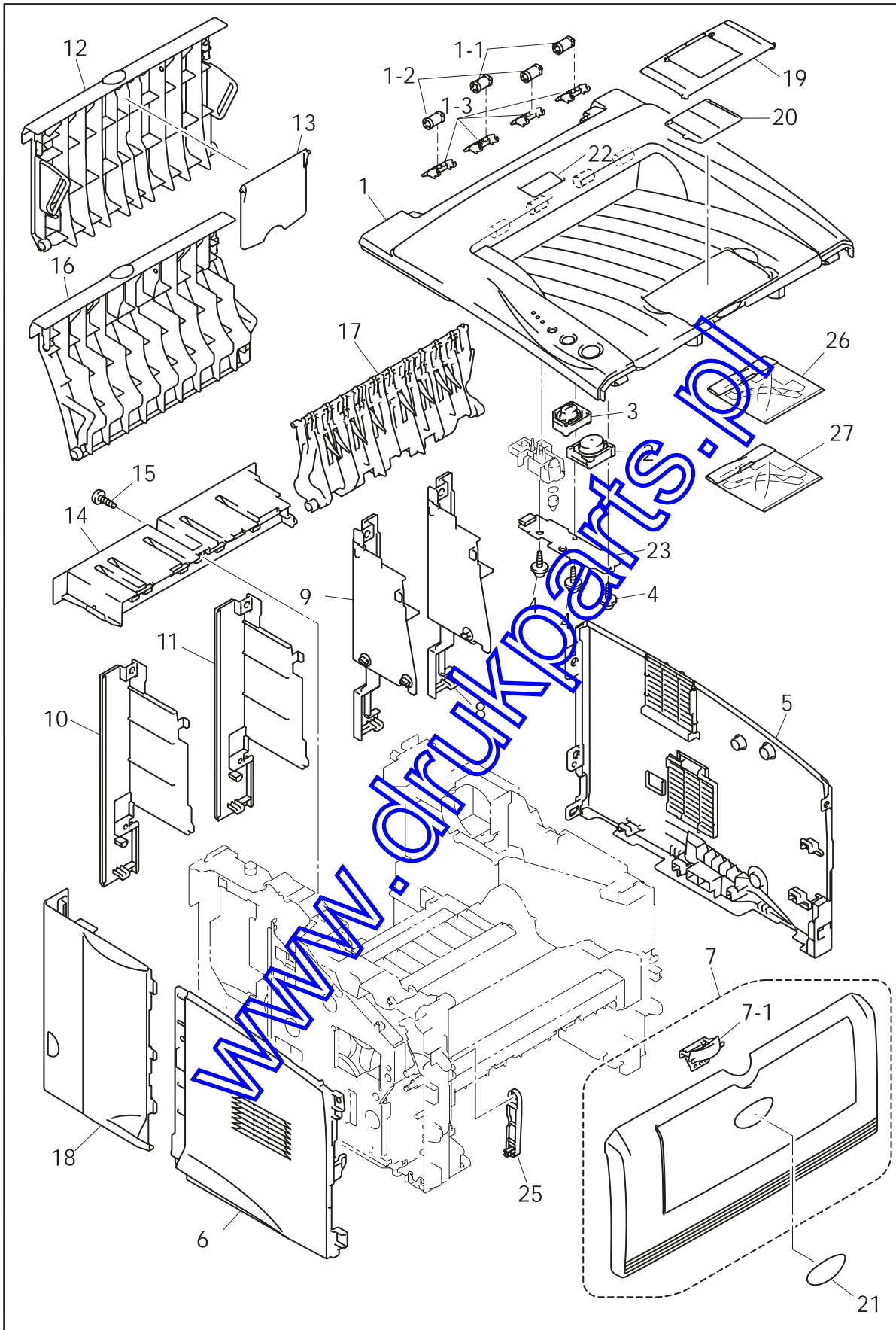
REF.NO.	CODE	Q'TY	DESCRIPTION	SYMBOL	REMARK
1	LM2273001	1	TOP COVER ASSY ZL2E		
1	LM6479001	1	TOP COVER RIB ASSY ZL2E *		ADD
1-1	LJ7911001	2	CORRUGATION PINCH ROLLER R		
1-2	LJ7912001	2	CORRUGATION PINCH ROLLER L		
1-3	UL9123001	4	PINCH ROLLER HOLDER		
2	LJ7451001	1	SW KEY A		
3	LJ7452001	1	SW KEY B		
4	087310815	3	TAPTITE, CUP B M3X8		chg
5	LM2713001	1	SIDE COVER R ASSY		chg
6	LM2714001	1	SIDE COVER L ASSY		chg
7	LM2724001	1	FRONT COVER ASSY ZL2E (HL-5130/5140)		
7-1	LJ7463001	1	FRONT COVER RELEASE BUTTON		add
8	LJ7465001	1	REAR COVER R		
8	LM2760001	1	REAR COVER R MOF (With MIN FIN logo)		add
9	LJ7617001	1	REAR COVER R MP		
10	LJ7466001	1	REAR COVER L		
11	LJ7618001	1	REAR COVER L MP		
12	LJ7610001	1	REAR COVER MP		
13	LJ7613001	1	REAR COVER MP TRAY		
14	LJ7467001	1	REAR COVER C		
15	085411216	1	TAPTITE, BIND B M4X12		
16	LJ7469001	1	OUTER CHUTE		
17	LJ7699001	1	OUTER CHUTE DX ASSY		
18	LM2715001	1	ACCESS COVER ASSY		chg
19	LJ7895001	1	SUPPORT FLAP		
20	LJ7896001	1	SUPPORT FLAP S		
21	LJ7350001	1	BROTHER EMBLEM		
22	LM2507001	1	MODEL PLATE 5130		
22	LM2504001	1	MODEL PLATE 5140		
22	LM2505001	1	MODEL PLATE 5150		
22	LM2506001	1	MODEL PLATE 5170DN		
23	LJ9180001	1	PANEL PCB ASSY	B512165	
24	LJ0908001	1	LASER CAUTION LABEL B		add
25	LJ7468001	1	LINK (HL-5130/5140)		add
26	LM2978001	1	TOP COVER RIB ASSY (SP)		ADD
27	LM6340001	1	TOP COVER RIB ASSY 2 (SP)		ADD

www.okparts.pl

* TOP COVER RIB ASSY ZL2E consists of TOP COVER ASSY ZL2E, 9 pieces of TOP COVER RIB ASSY (CP) and 2 pieces of TOP COVER RIB ASSY 2 (SP)

MODEL HL-5130/5140/5150D/5170DN/5150DLT/5170DNL US 84U-Z71/Z72/Z73/Z74/Z76/Z77-060,061

10. COVERS/LABELS



MODEL HL-5130/5140/5150D/5170DN/5150DLT/5170DNLT US 84U-Z71/Z72/Z73/Z74/Z76/Z77-060,061

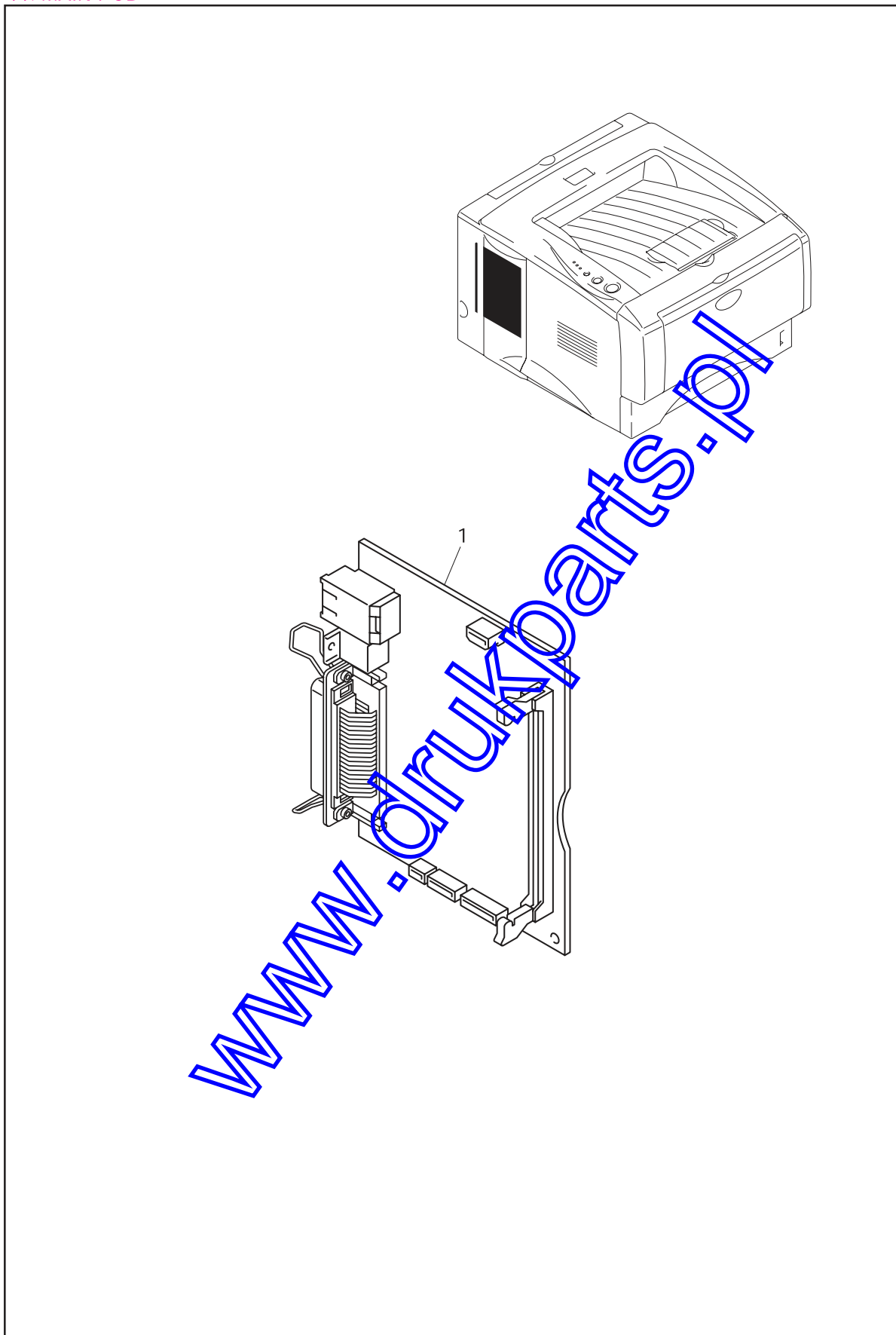
11. MAIN PCB

REF.NO.	CODE	Q'TY	DESCRIPTION	SYMBOL	REMARK
1	LJ9901001	1	MAIN PCB ASSY 5130 FLASH	B512208	CHG
1	LJ9902001	1	MAIN PCB ASSY 5140 FLASH	B512208	CHG
1	LJ9903001	1	MAIN PCB ASSY 5150D FLASH	B512208	CHG
1	LJ9567001	1	MAIN PCB ASSY 5170DN FLASH	B512185	
1	LJ9904001	1	MAIN PCB ASSY 5150D KOR FLASH (For HL-5150D KOR)	B512208	CHG

www.drukparts.pl

MODEL HL-5130/5140/5150D/5170DN/5150DLT/5170DNLT US 84U-Z71/Z72/Z73/Z74/Z76/Z77-101

11. MAIN PCB



MODEL HL-5130/5140/5150D/5170DN/5150DLT/5170DNLT US 84U-Z71/Z72/Z73/Z74/Z76/Z77-101

12. ENGINE PCB

REF.NO.	CODE	Q'TY	DESCRIPTION	SYMBOL	REMARK
1	LJ9188001	1	ZL2 ENGINE PCB ASSY 1 (HL-5130)	B512153	
1	LJ9274001	1	ZL2 ENGINE PCB ASSY 3 (HL-5150D/70DN)	B512153	
1	LG4404001	1	ZL2 ENGINE PCB ASSY 4 (HL-5140)	B512153	

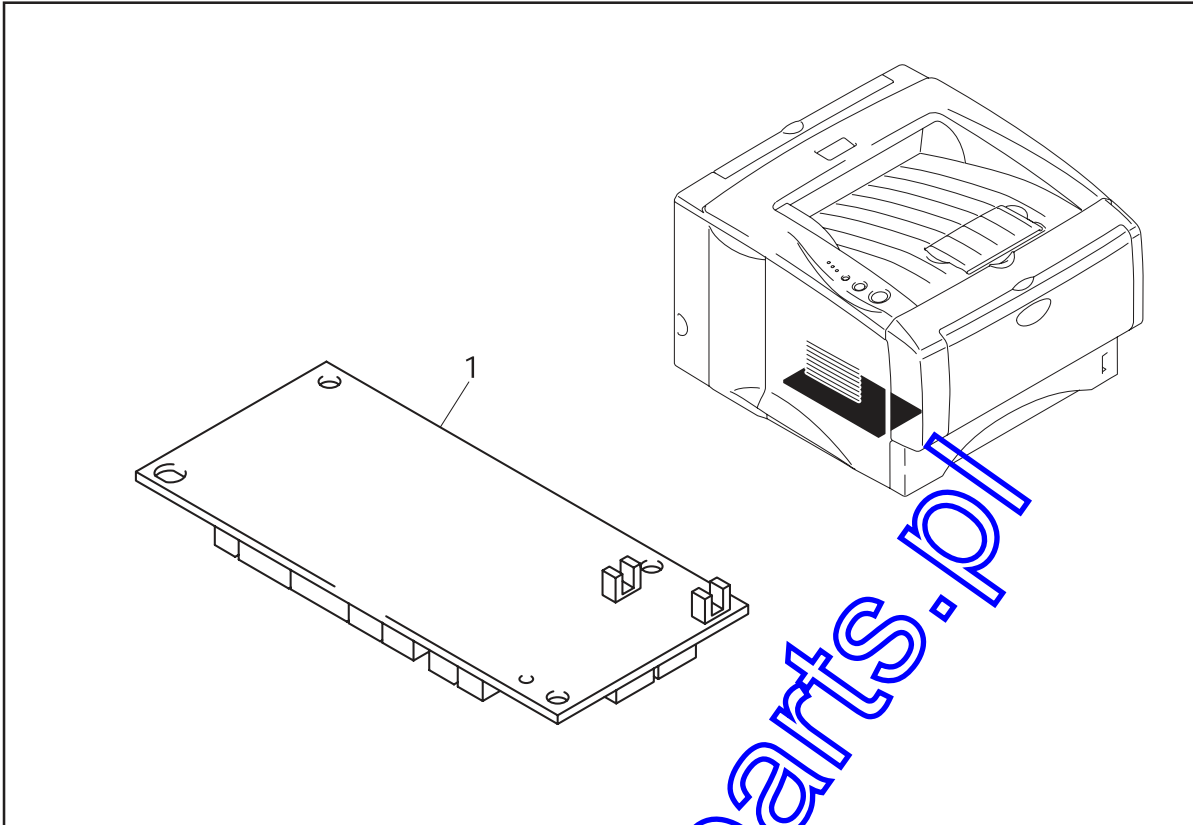
MODEL HL-5130/5140/5150D/5170DN/5150DLT/5170DNLT US 84U-Z71/Z72/Z73/Z74/Z76/Z77-151

13. LOW-VOLTAGE POWER SUPPLY PCB

REF.NO.	CODE	Q'TY	DESCRIPTION	SYMBOL	REMARK
1	LJ9620001	1	PS PCB UNIT 50V	MPW5706	
1	LJ9621001	1	PS PCB UNIT 115V	MPW5806	
2	085411216	1	TAPTITE, BIND R M4X2		
3	LM2048001	1	SCREW, PAN (SP. WASHER) M3.5X6		

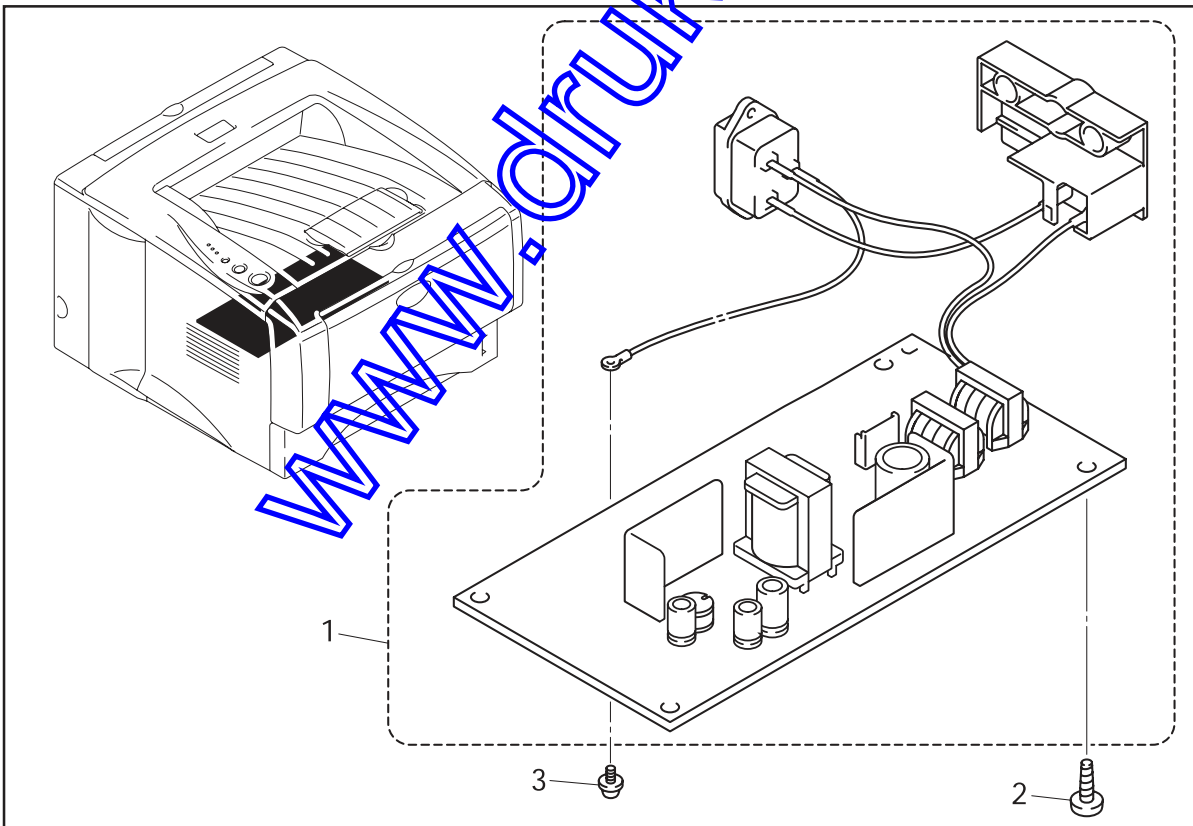
MODEL HL-5130/5140/5150D/5170DN/5150DLT/5170DNLT US 84U-Z71/Z72/Z73/Z74/Z76/Z77-200

12. ENGINE PCB



MODEL HL-5130/5140/5150D/5170DN/5150DLT/5170DNLT US 84U-Z71/Z72/Z73/Z74/Z76/Z77-151

13. LOW-VOLTAGE POWER SUPPLY PCB



MODEL HL-5130/5140/5150D/5170DN/5150DLT/5170DNLT US 84U-Z71/Z72/Z73/Z74/Z76/Z77-200

14. HIGH-VOLTAGE POWER SUPPLY PCB

REF.NO.	CODE	Q'TY	DESCRIPTION	SYMBOL	REMARK
1	LJ9200001	1	HIGH-VOLTAGE PS PCB ASSY ZL2	MPH3237	
2	085411216	1	TAPTITE, BIND B M4X12		

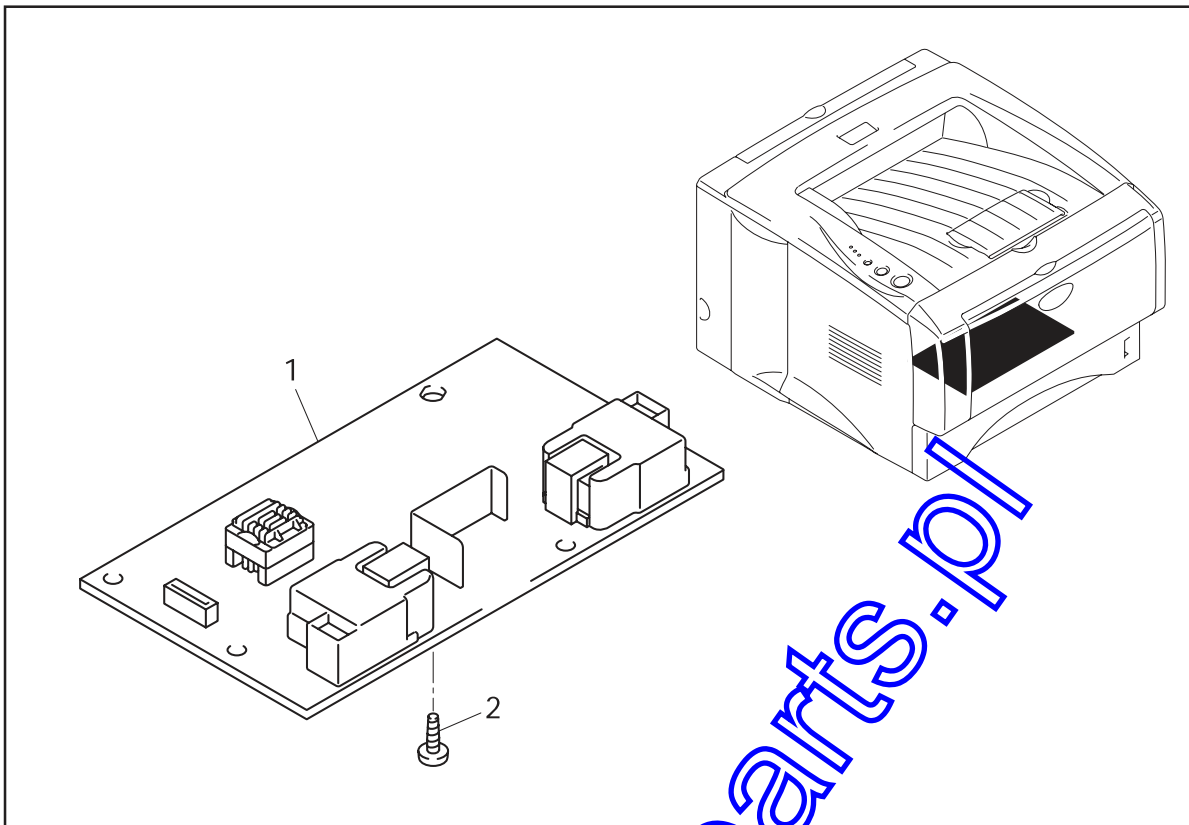
MODEL HL-5130/5140/5150D/5170DN/5150DLT/5170DNLT US 84U-Z71/Z72/Z73/Z74/Z76/Z77-220

15. ACCESSORIES

REF.NO.	CODE	Q'TY	DESCRIPTION	REMARK
1	LM2971001	1	CD ASSY ZL2E	CHG
1	LM2727001	1	CD ASSY ZL2E KOP	
1	LM2839001	1	CD ASSY ZL2E EAST EUR	chg

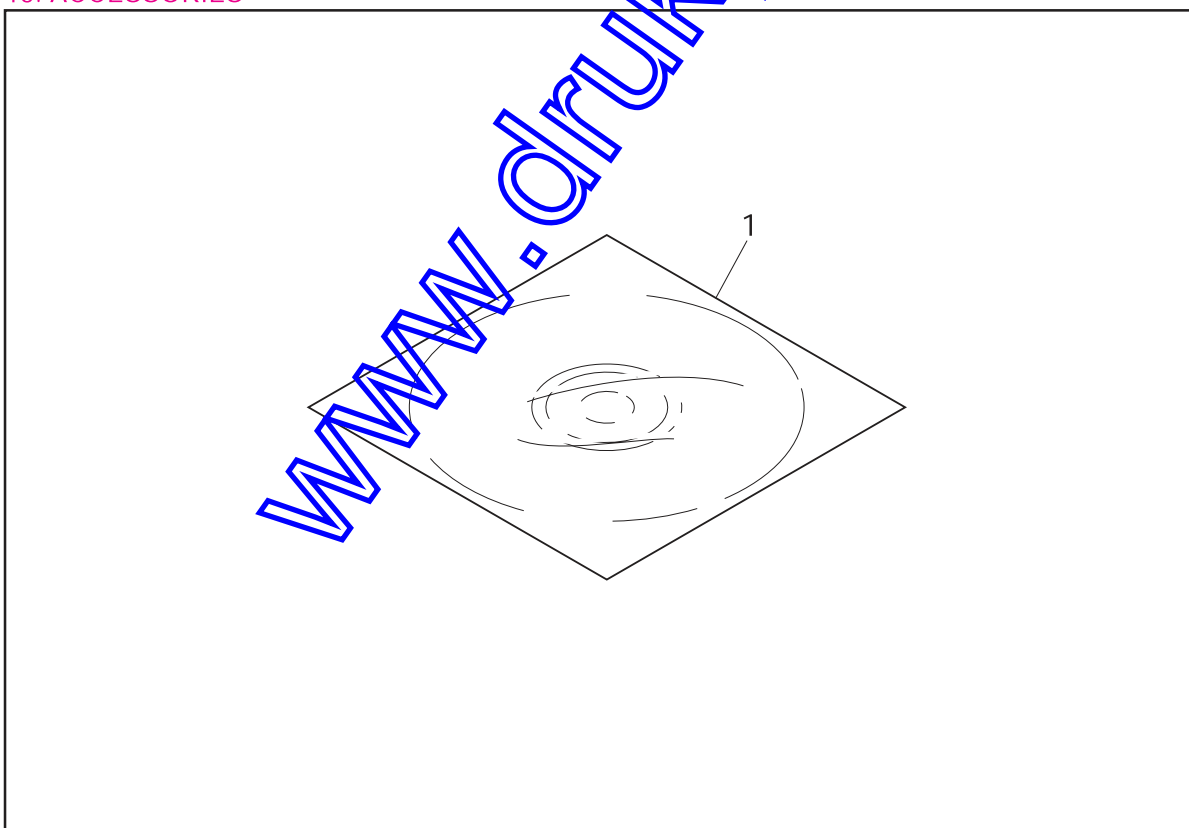
MODEL HL-5130/5140/5150D/5170DN/5150DLT/5170DNLT US 84U-Z71/Z72/Z73/Z74/Z76/Z77-920

14. HIGH-VOLTAGE POWER SUPPLY PCB



MODEL HL-5130/5140/5150D/5170DN/5150DLT/5170DNLT US 84U-Z71/Z72/Z73/Z74/Z76/Z77-220

15. ACCESSORIES



MODEL HL-5130/5140/5150D/5170DN/5150DLT/5170DNLT US 84U-Z71/Z72/Z73/Z74/Z76/Z77-920

16. PACKING MATERIALS

REF.NO.	CODE	Q'TY	DESCRIPTION	REMARK
1	LL0865001	1	CARTON, HL-5130 EUR	
1	LL0858001	1	CARTON, HL-5140 US	
1	LL0866001	1	CARTON, HL-5140 EUR	
1	LL0891001	1	CARTON, HL-5140 KOR	
1	LL0859001	1	CARTON, HL-5150D US	
1	LL0867001	1	CARTON, HL-5150D EUR	
1	LL0892001	1	CARTON, HL-5150D KOR	
1	LL0860001	1	CARTON, HL-5170DN US	
1	LL0868001	1	CARTON, HL-5170DN EUR	
2	LJ7357001	1	POLYSTYRENE PAD ASSY ZL2	
2	LM2412001	1	POLYSTYRENE PAD ASSY ZL2E MP	
3	LJ5584001	1	BAG, 700X800H	
4	LL0845001	1	CARTON, OUTER HL-5150DLT US	
4	LL0896001	1	CARTON, OUTER HL-5170DNLT US	

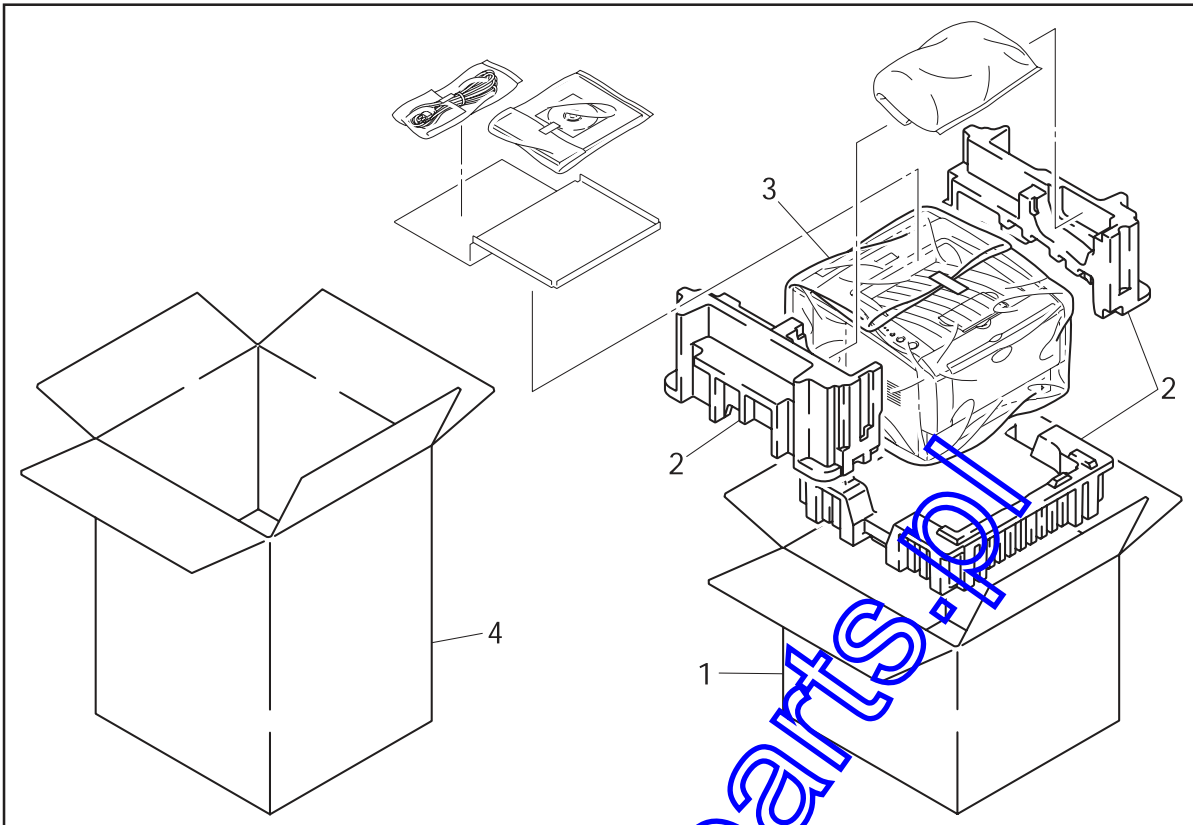
MODEL HL-5130/5140/5150D/5170DN/5150DLT/5170DNLT US 84U/Z71/Z72/Z73/Z74/Z76/Z77-930

17. PERIODICAL MAINTENANCE PARTS

REF.NO.	CODE	Q'TY	DESCRIPTION	REMARK
1	LJ7920001	1	PAPER FEEDING KIT	
1-1	LJ7703001	1	PAPER PICK-UP ROLLER ASSY ZL2*1	
1-2	LJ7307001	1	PAD HOLDER ZL2 *2	
2	LM2953001	4	ROLLER 6 GUIDE/ROLLER (SP)	DEL
2-1		4	ROLLER 6 GUIDE	
2-2		4	FIRST FEED ROLLER ASSY ZL2	
			*1 Refer to "5. PAPER FEEDER"	
			*2 Refer to "8. PAPER TRAY"	

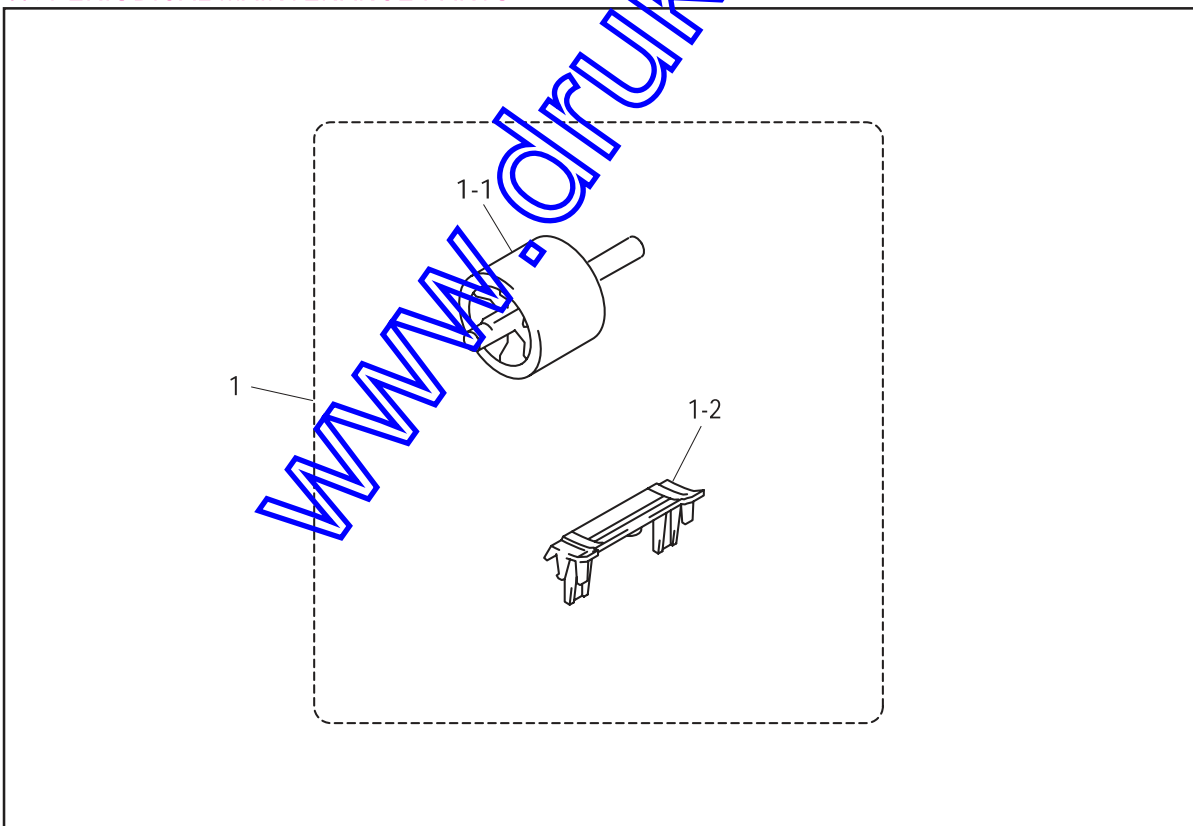
MODEL HL-5130/5140/5150D/5170DN/5150DLT/5170DNLT US 84U-Z71/Z72/Z73/Z74/Z76/Z77-940

16. PACKING MATERIALS



MODEL HL-5130/5140/5150D/5170DN/5150DLT/5170DNLT US 84U-Z71/Z72/Z73/Z74/Z76/Z77-930

17. PERIODICAL MAINTENANCE PARTS



MODEL HL-5130/5140/5150D/5170DN/5150DLT/5170DNLT US 84U-Z71/Z72/Z73/Z74/Z76/Z77-940


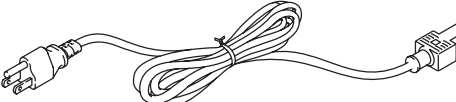
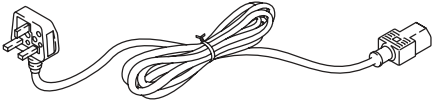
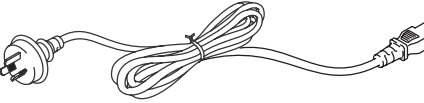
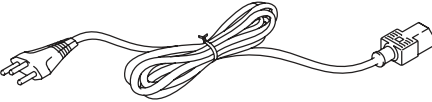



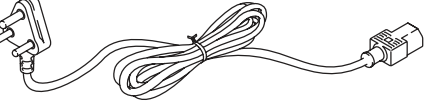

18. AC CORDS

REF.NO.	CODE	QTY	DESCRIPTION	REMARK
1	LJ9103001	1	AC CORD ASSY LF, VDE	
2	LJ9921001	1	AC CORD ASSY LF, BS/PSB	chg
3	LJ9254001	1	AC CORD ASSY LF, SEV	
4	LJ9256001	1	AC CORD ASSY LF, DEMKO	
5	LJ9295001	1	AC CORD ASSY LF, SOUTH AFRICA	
6	LJ9271001	1	AC CORD ASSY LF, UL/CSA 10A	
7	LJ9666001	1	AC CORD LF, SAA	chg
8	LM9288001	1	AC CORD ASSY LF, ISRAEL	CHG
9	LJ9294001	1	AC CORD ASSY LF, CHILE	
10	LJ9727001	1	AC CORD LF, ARGENTINA	add

MODEL HL-5130/5140/5150D/5170DN/5150DLT/5170DNLT US 840/Z71/Z72/Z73/Z74/Z76/Z77-230

www.drukparts.pl

18. AC CORDS

1		6	
2		7	
3		8	
4		9	
5		10	

MODEL HL-5130/5140/5150D/5170DN/5150DLT/5170DNL/US-84U-Z71/Z72/Z73/Z74/Z76/Z77-230

www.druckparts.io