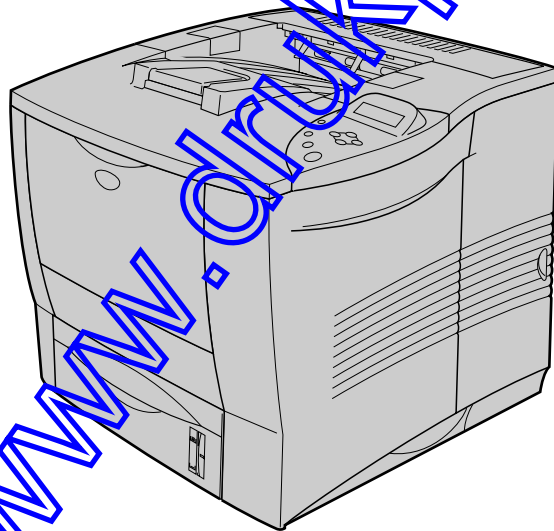




Brother Laser Printer **PARTS REFERENCE LIST**

MODEL: HL-2460 / 2460N



Read this list thoroughly before maintenance work.

Keep this list in a convenient place for quick and easy reference at all times.

NOTE FOR USING THIS PARTS REFERENCE LIST

1. In the case of ordering parts, it needs mentioning the following items:

- (1) Code
- (2) Q'ty
- (3) Description
- (4) Symbol (PCB No., Revision , and Parts location mounted on the PCB.)

Note: No orders without Parts Code or Tool No. can be accepted.

< Example >

REF.NO.	(1) CODE	(2) Q'TY	(3) DESCRIPTION	(4) SYMBOL	REMARK

Revision No.: marked on the **main printed circuit board**.

B48K056 - 201A

Design change indication
Specification No.
Pattern alteration No.
Circuit board No.

Revision No.: marked on the **power supply printed circuit board**.

Rev. A

Design change indication
(The first version has no sign.)

2. Design-changed parts:

If the parts are changed, any one of the following symbols is indicated in the REMARKS column.

- #A: Compatible between old and new
- #B: Replaceable from old to new
- #D: Incompatible
- #: Newly established

3. The original of this list was made based on the information available in September 2001.

4. Parts are subject to change in design without prior notice.

CONTENTS

1.	<u>FRAME</u>	1
2.	<u>DRIVE</u>	1
3.	<u>LASER UNIT</u>	3
4.	<u>PAPER EJECT</u>	3
5.	<u>PAPER FEED</u>	5
6.	<u>MP TRAY</u>	5
7.	<u>PAPER TRAY</u>	7
8.	<u>FIXING UNIT</u>	9
9.	<u>COVERS / LABELS</u>	11
10.	<u>SWITCH PANEL</u>	13
11.	<u>MAIN PCB</u>	13
12.	<u>ENGINE PCB</u>	15
13.	<u>HIGH-VOLTAGE POWER SUPPLY PCB</u>	15
14.	<u>LOW-VOLTAGE POWER SUPPLY PCB</u>	17
15.	<u>AC CORDS</u>	17
16.	<u>ACCESSORIES</u>	19
17.	<u>PACKING MATERIALS</u>	21
18.	<u>PERIODICAL MAINTENANCE PARTS</u>	23
19.	<u>NET WORKBOARD</u>	25

www.druckparts.pl

1. FRAME

PR2002037

REF.NO.	CODE	Q'TY	DESCRIPTION	REMARK
1	LJ8530001	1	EJECT SENSOR PCB ASSY	
2	LJ0893001	1	TRANSFER ROLLER 52 ASSY	
3	LJ0149001	1	TRANSFER BASE ASSY	
3-1	LJ8534001	1	SENSOR RELAID PCB R ASSY	
3-2	LJ1058001	1	TRANSFER RIB ASSY	
4	LJ0173001	1	REGIST ROLLER ASSY	
5	LJ0175001	1	ELECTROMAGNETISM CLUTCH REGIST	
6	LJ8538001	1	SIZE SW PCB ASSY	
7	LJ1568001	1	SIZE SW SPRING	chg
8	LJ0364001	1	GUIDE PLATE SPRING	
9	UH2208001	4	RUBBER FOOT	
10	LJ0214001	1	FAN MOTOR 80	
11	LJ0259001	1	FAN MOTOR 60	
12	LJ0551001	1	CF SLOT	
13	LJ0670001	2	TAPTITE, PAN B M3X35	
14	087323016	2	TAPTITE, CUP S M3X30	
15	087320616	3	TAPTITE, CUP S M3X6	
16	085320616	2	TAPTITE, BIND S M3X6	
17	LJ0822001	3	TAPTITE, CUP S M3X4	
18	LJ0183001	2	CHUTE BEARING	ADD

MODEL HL-2460/2460N 84T-U05/06-500

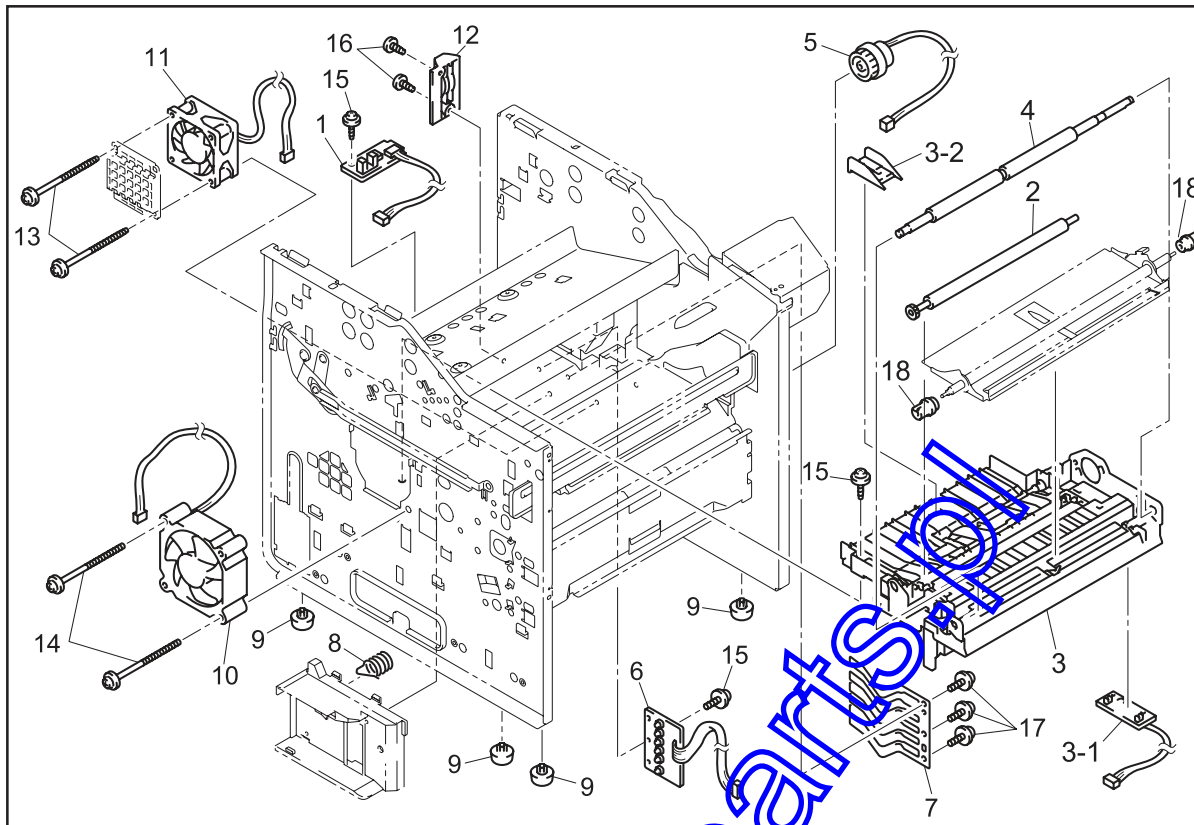
T/I NO. PR2002037

2. DRIVE

REF.NO.	CODE	Q'TY	DESCRIPTION	REMARK
1	LJ0227001	1	MAIN MOTOR ASSY	
2	LJ0232001	1	DRUM GEAR LINK	
3	LJ0244001	1	SOLENOID LEVER	
4	UH2378000	1	SPRING HOOK	
5	LJ0247001	1	SECTOR GEAR 35 SPRING	
6	LJ0264001	1	FRICTION SPRING	
7	LJ0265001	1	SOLENOID ASSY	
8	LJ0309001	1	SOLENOID SPRING MP	
9	LJ0267001	1	FEEDING MOTOR ASSY	
10	087320616	7	TAPTITE, CUP S M3X6	
11	U11776001	1	SCREW, FLANGED M3X3.5	

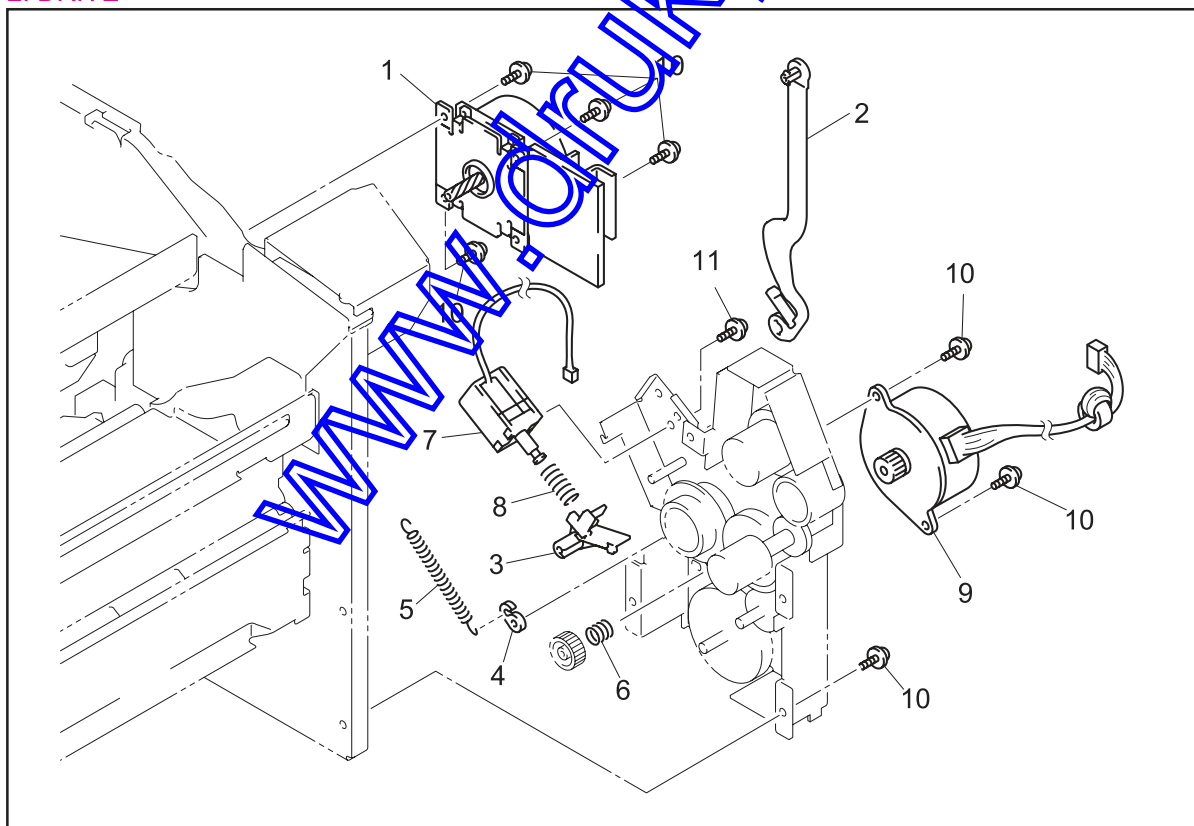
MODEL HL-2460/2460N 84T-U05/06-550

1. FRAME



MODEL HL-2460 / 2460N 84T-U05/06-010

2. DRIVE



MODEL HL-2460 / 2460N 84T-U05/06-010

3. LASER UNIT

REF.NO.	CODE	Q'TY	DESCRIPTION	REMARK
1	LJ0935001	1	SCANNER UNIT (SP)	
2	LJ0743001	1	DUST GUARD PLATE ASSY	
3	LJ0397001	1	SHUTTER LINK	
4	LJ0914001	1	PLATE	
5	087322015	4	TAPTITE, CUP S M3X20	
6	LJ0908001	1	LASER CAUTION LABEL B	ADD

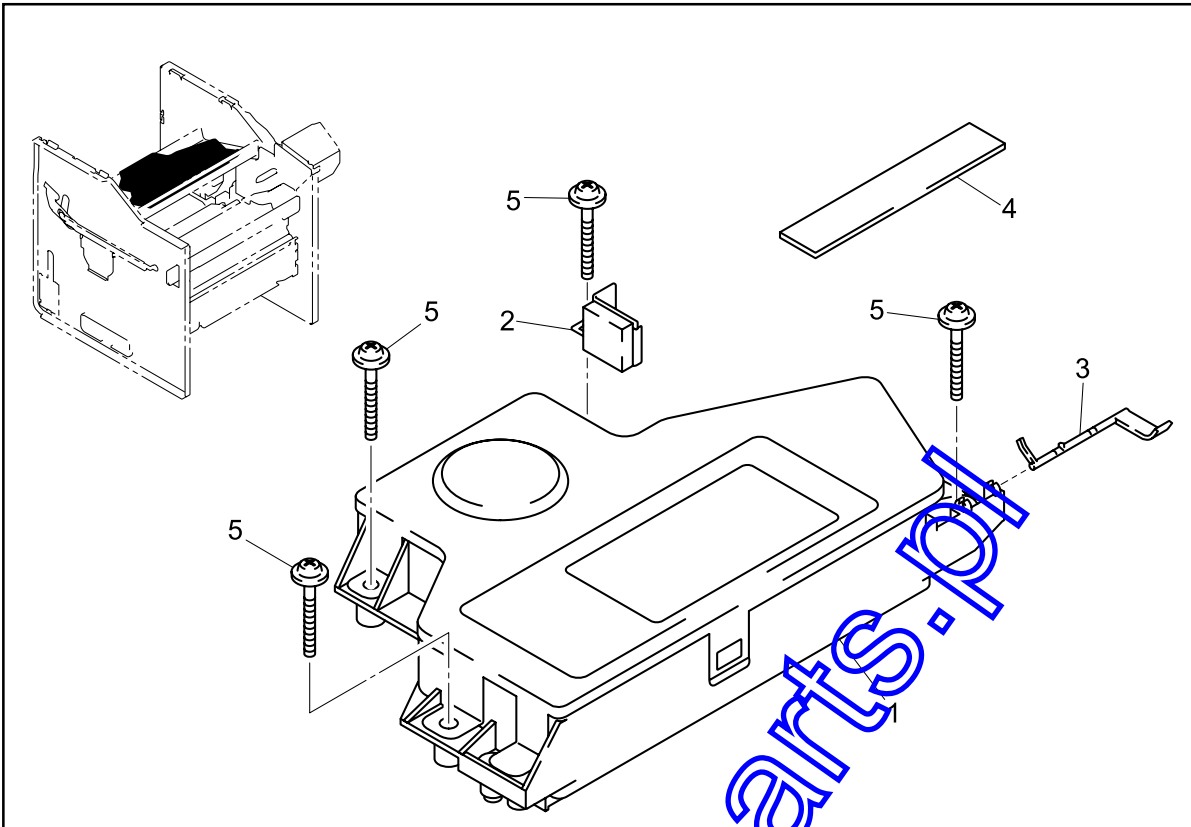
MODEL HL-2460/2460N 84T-U05/06-500

4. PAPER EJECT

REF.NO.	CODE	Q'TY	DESCRIPTION	REMARK
1	LJ0105001	1	PAPER EJECT UNIT	
1-1	UH3323001	4	EJECT PINCH ROLLER ASSY	
1-2	UH3948001	4	PINCH SPRING	
1-3	LJ0668001	2	EJECT ROLLER ASSY	
1-4	LJ0657001	2	EJECT ROLLER GROUND PLATE	
1-5	LJ0477001	4	BEARING	
1-6	LJ0718001	1	REAR ACTUATOR 4	
1-7	LJ0665001	1	REAR TRAY PCB ASSY	
1-8	LJ0110001	1	REAR ACTUATOR 3	
1-9	LJ0111001	1	REAR TRAY ACTUATOR	
1-10	LJ0112001	1	REAR TRAY ACTUATOR SPRING	
1-11	087310815	1	TAPTITE, CUP B M3X8	
1-12	085310815	2	TAPTITE, BIND B M3X8	
1-13	048040346	2	RETAINING RING, E4	
2	087320616	2	TAPTITE, CUP S M3X8	

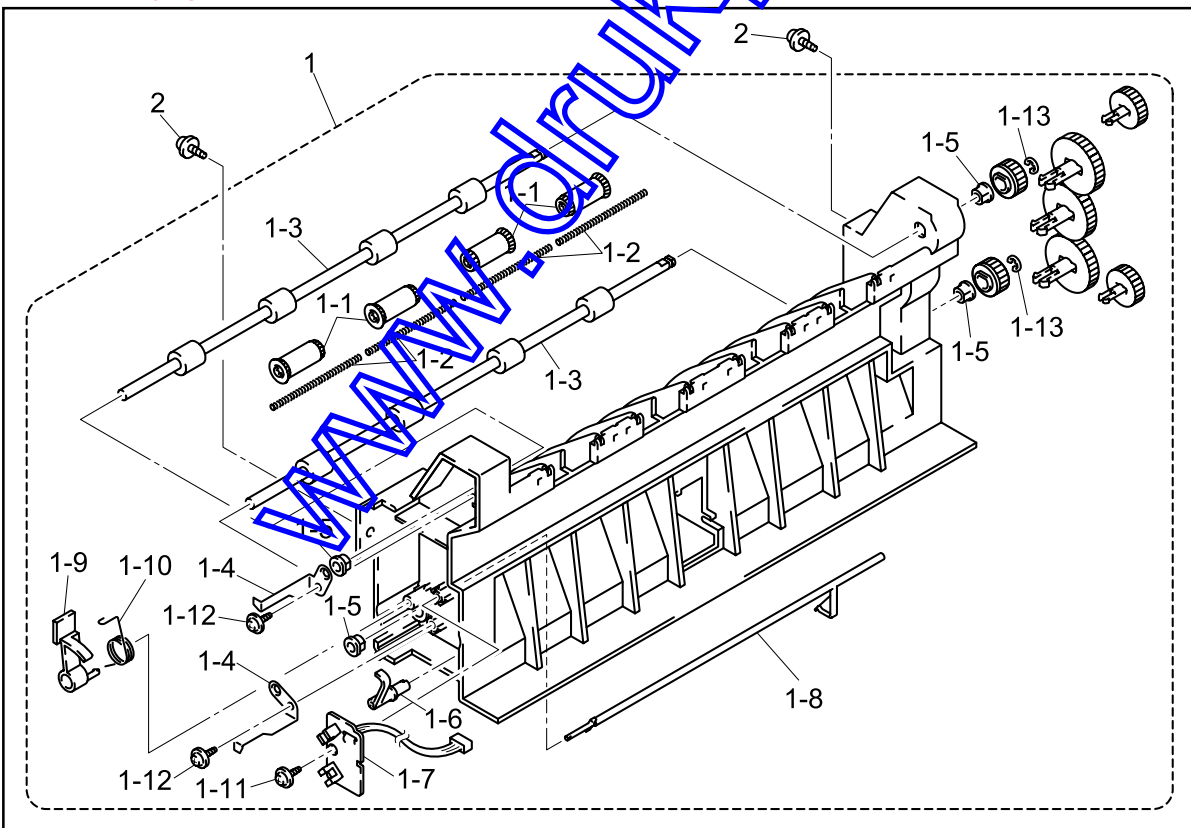
MODEL HL-2460/2460N 84T-U05/06-500

3. LASER UNIT



MODEL HL-2460 / 2460N 84T-U05/06-700

4. PAPER EJECT



MODEL HL-2460 / 2460N 84T-U05/06-420

5. PAPER FEED

REF.NO.	CODE	Q'TY	DESCRIPTION	REMARK
1	LJ0270001	1	PAPER FEED ROLLER ASSY 45 *1	*1 A component part of the PAPER FEEDING KIT. Refer to "18. PERIODICAL MAINTENANCE PARTS".
2	LJ0273001	1	PE SENSOR ACTUATOR	
3	LJ8542001	1	TRAY PE SENSOR PCB ASSY	
4	LJ0277001	2	PAPER FEED ROLLER ASSY	
5	LJ0279001	6	BEARING	
6	LJ0717001	1	ONEWAY CLUTCH	
7	LJ0284001	4	PAPER FEED ROLLER BEARING	

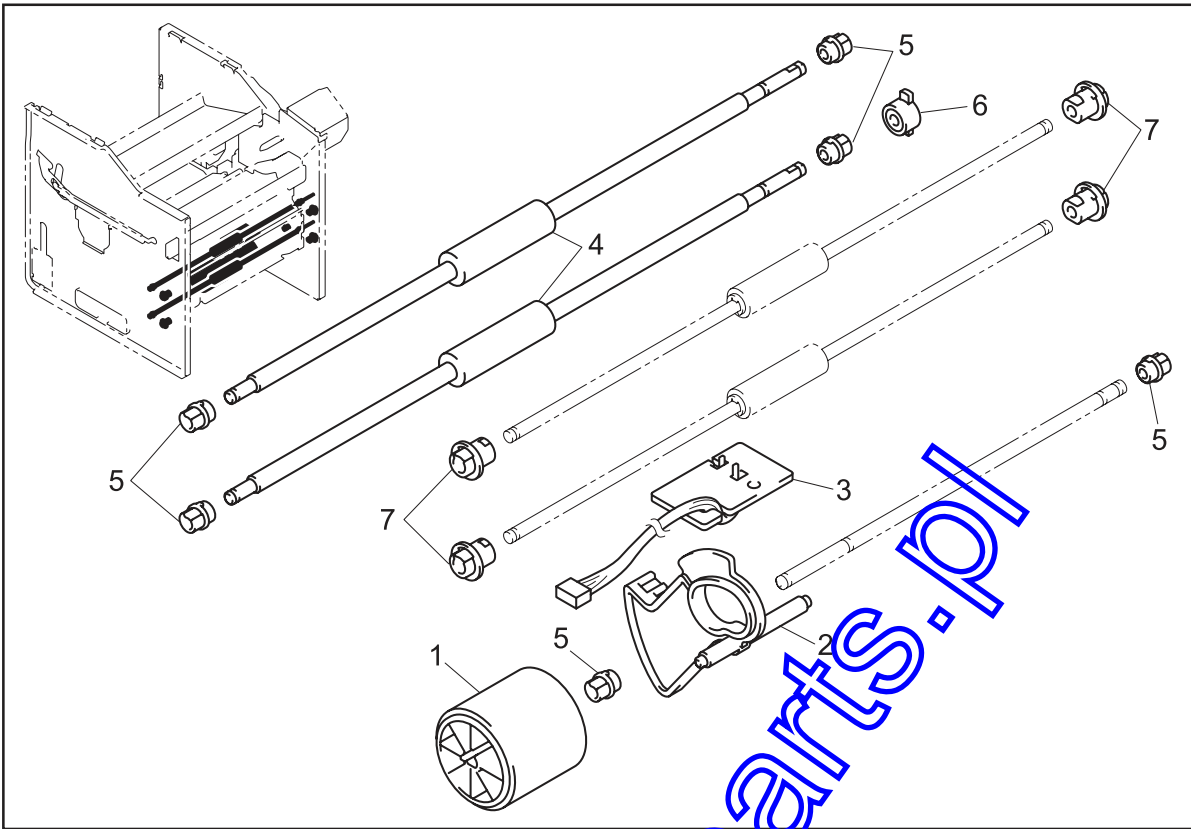
MODEL HL-2460/2460N 84T-U05/06-500

6. MP TRAY

REF.NO.	CODE	Q'TY	DESCRIPTION	REMARK
1	LJ0295001	1	SEPARATION PLATE ASSY MP	ADD ADD
2	LJ0298001	1	SEPARATION PAD SPRING MP	
3	LJ0299001	1	PLATE ASSY MP	
4	LJ0305001	2	PLATE SPRING MP	
5	LJ0307001	1	SOLENOID ASSY MP	
6	LJ0309001	1	SOLENOID SPRING MP	
7	LJ0311001	1	PAPER FEED ROLLER ASSY MP	
8	LJ0326001	1	ROLLER COVER ASSY MP	
8-1	LJ8545001	1	MP PE SENSOR PCB ASSY	
8-2	LJ0328001	1	PE SENSOR ACTUATOR MP	
8-3	LJ0329001	1	PE SENSOR ACTUATOR 2 MP	
9	LJ0330001	1	TRAY ASSY MP	
10	LJ0334001	1	TRAY COVER ASSY MP	
10-1	LJ0337001	2	TRAY COVER ROCK SPRING	
11	085310815	2	TAPTITE, BIND B M3X8	
12	085320816	1	TAPTITE, BIND S M3X8	
13	LJ0317001	1	PLATE CAM MPR	
14	LJ0323001	1	PLATE CAM L	

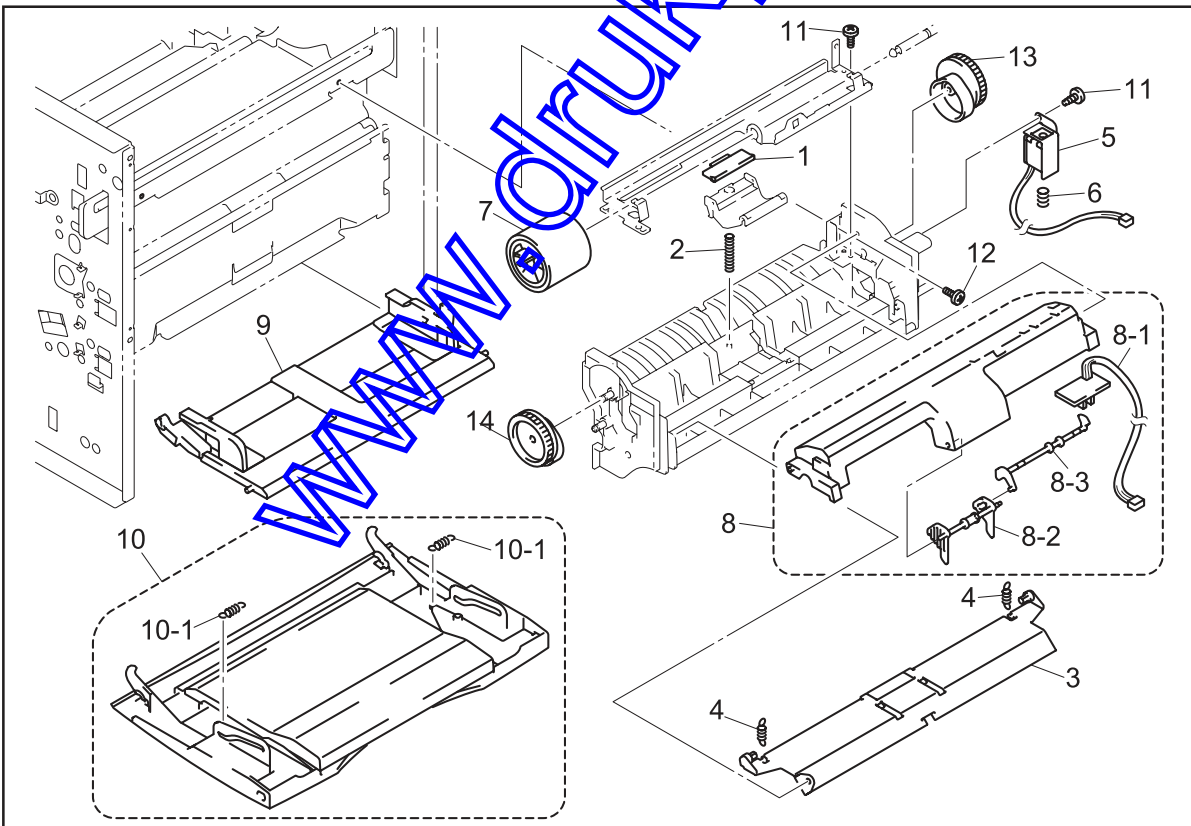
MODEL HL-2460/2460N 84T-U05/06-500

5. PAPER FEED



MODEL HL-2460/2460N 84T-U05/06-600

6. MP TRAY

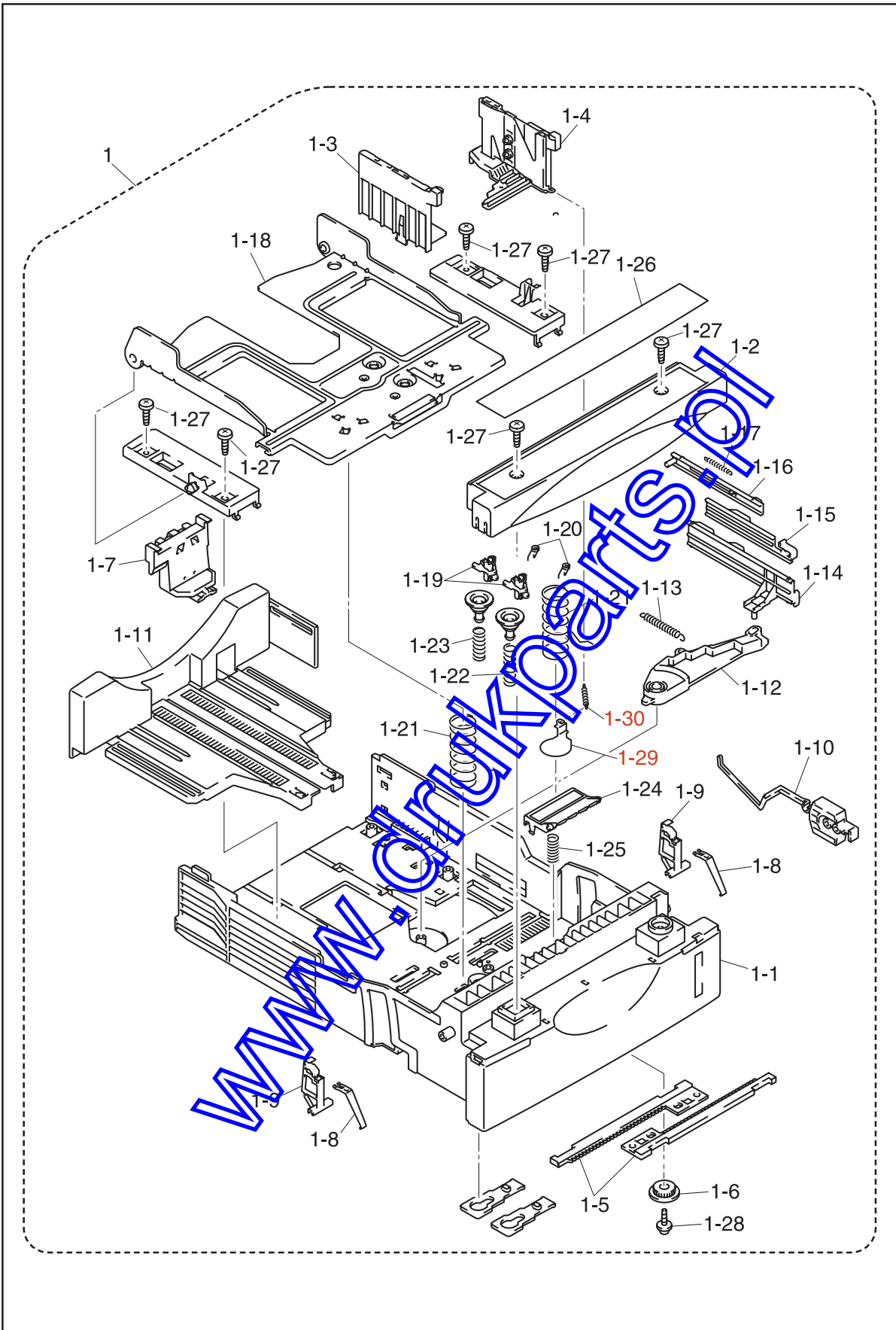


MODEL HL-2460 / 2460N 84T-U05/06-630

7. PAPER TRAY

REF.NO.	CODE	Q'TY	DESCRIPTION	REMARK
1	LJ1732001	1	PAPER TRAY UNIT (SP)	NAME CHG
1-1	LJ0340001	1	BASE TRAY	
1-2	LJ0228001	1	PAPER TRAY COVER	
1-3	LJ0341001	1	SIDE GUIDE L	
1-4	LJ0729001	1	SIDE GUIDE R ASSY *3	chg
1-5	LJ0819001	2	SIDE GUIDE RACK 2	
1-6	UL9081001	1	SIDE GUIDE GEAR	
1-7	LJ1649001	1	REAR GUIDE ASSY 2	chg
1-8	LJ0347001	2	SUPPORTER STOPPER SPRING	
1-9	LJ0348001	2	SUPPORTER STOPPER L	
1-10	LJ0350001	1	PAPER INDICATOR	
1-11	LJ0351001	1	EX REAR TRAY	
1-12	LJ1660001	1	SIZE DETECTION LINK 2 *3	chg
1-13	LJ0358001	1	SIZE DETECTION LINK SPRNG	
1-14	LJ0359001	1	SIZE DETECTION CAM *3	
1-15	LJ0360001	1	TRAY 1D DETECTION CAM	
1-16	LJ0361001	1	LTR/LGL DETECTION CAM	
1-17	LJ0362001	1	LTR/LGL DETECTION CAM SPRING	
1-18	LJ1570001	1	PLATE UNIT	
1-19	LJ0370001	2	PLATE SPRING CHANGEOVER KNOB	
1-20	LJ0722001	2	PLATE SPRING	
1-21	LJ0371001	2	PLATE SPRING A	
1-22	LJ0372001	1	PLATE SPRING C	
1-23	LJ0373001	1	PLATE SPRING D	
1-24	LJ0374001	1	SEPARATION PAD ASSY *2	*2 A component part of the PAPER FEEDING KIT. Refer to "18. PERIODICAL MAINTENANCE PARTS".
1-25	LJ0377001	1	SEPARATION PAD SPRING	
1-26	LJ0809001	1	PAPER TRAY LABEL	
1-27	085411015	6	TAPTITE, BIND B M4X10	
1-28	UU0552001	1	TAPTITE, CUP B 3X8	
1-29	LJ1338001	1	SGR GROUND PLATE *3	*3 When SIDE GUIDE R ASSY needs to be replaced, be sure to replace SIZE DETECTION CAM, SIZE DETECTION LINK 2, SGR GROUND PLATE and SGR EXTENSION SPRING at the same time.
1-30	LJ1339001	1	SGR EXTENSION SPRING	

MODEL HL-2460/2460N 84T-U05/06-500



MODEL HL-2460/2460N 84T-U05/06-650

T/I NO. PR2002095

8. FIXING UNIT

PR2002162

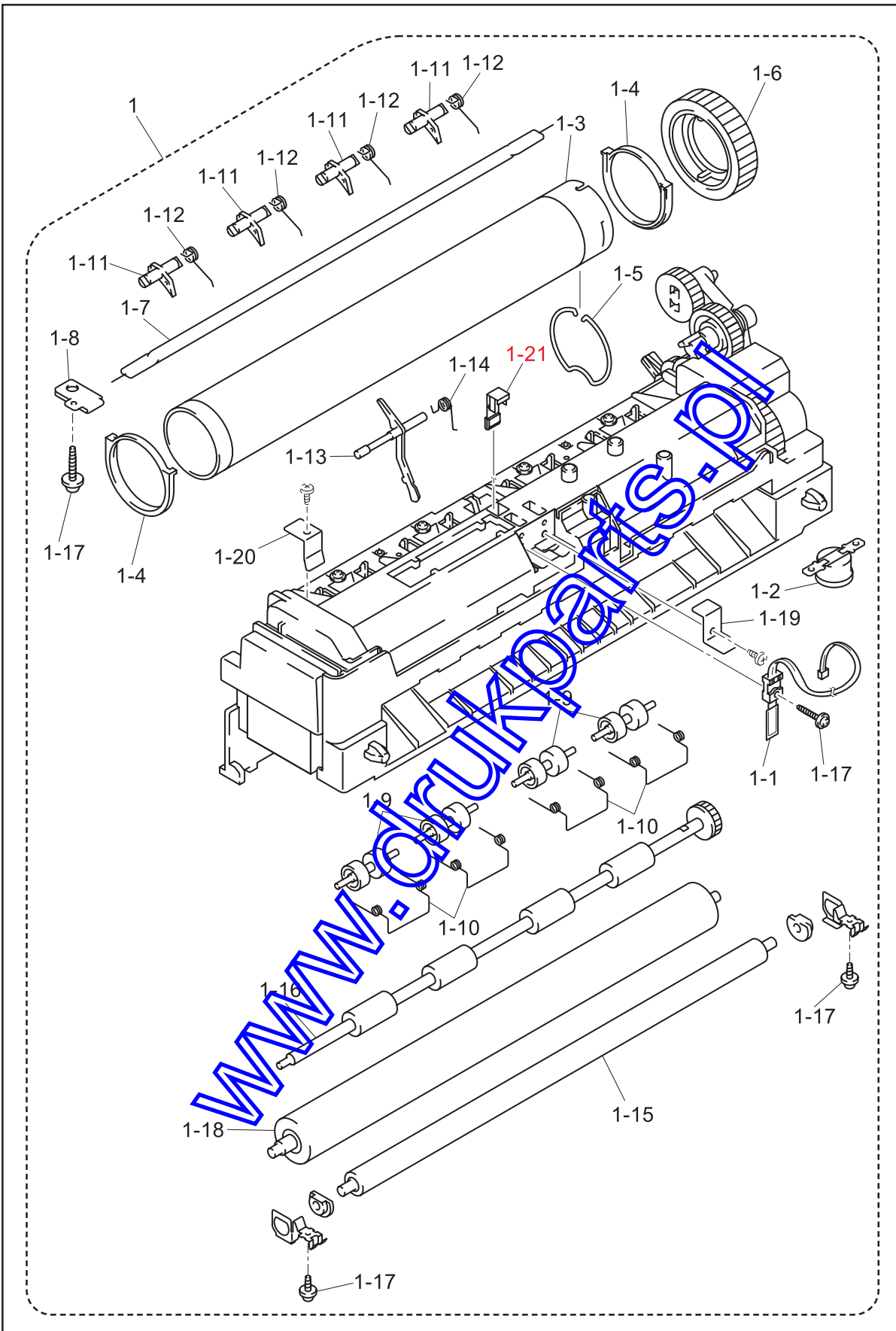
REF.NO.	CODE	Q'TY	DESCRIPTION	REMARK
1	LJ0959001	1	FIXING UNIT, 115V (SP)	
1	LJ0963001	1	FIXING UNIT, 230V (SP)	
1	LJ1950001	1	FIXING UNIT, 115V NO-TONER (SP)	ADD
1-1	LJ0994001	1	THERMISTOR ASSY B	
1-2	LJ0402001	1	THERMOSTAT	
1-3	LJ1751001	1	HEAT ROLLER 34 (SP)	
1-4	LJ0411001	2	H/R BEARING 34	
1-5	LJ0412001	1	HEAT ROLLER STOP RING	
1-6	LJ0413001	1	H/R GEAR 30	
1-7	LJ0966001	1	FIXING HEATER 115 ASSY (SP)	
1-7	LJ0967001	1	FIXING HEATER 230 ASSY (SP)	
1-8	LJ0415001	1	POWER FEED PLATE	
1-9	LJ0772001	4	EJECT PRESSURE ROLLER F	
1-10	LJ0424001	4	PRESSURE SPRING	
1-11	LJ0427001	4	SEPARATE PAWL	
1-12	LJ0428001	4	SEPARATE PAWL SPRING	
1-13	LJ0429001	1	FU ACTUATOR	
1-14	LJ0430001	1	FU ACTUATOR SPRING	
1-15	LJ0773001	1	CLEANER ROLLER ASSY	
1-16	LJ0109001	1	EJECT ROLLER ASSY	
1-17	087311415	2	TAPTITE, CUP B M3X14	
1-18	LJ0435001	1	PRESSURE ROLLER	
1-19	LJ1775001	1	CENTER SEAL	add
1-20	LJ1776001	1	SIDE SEAL	add
1-21	LJ1902001	1	CLEANER ASSY HR (MICR:US ONLY)	add

www.druckparts.pl

MODEL HL-2460/2460N 84T-U05/06-500

T/I NO. PR2002146 / PR2002162

8. FIXING UNIT



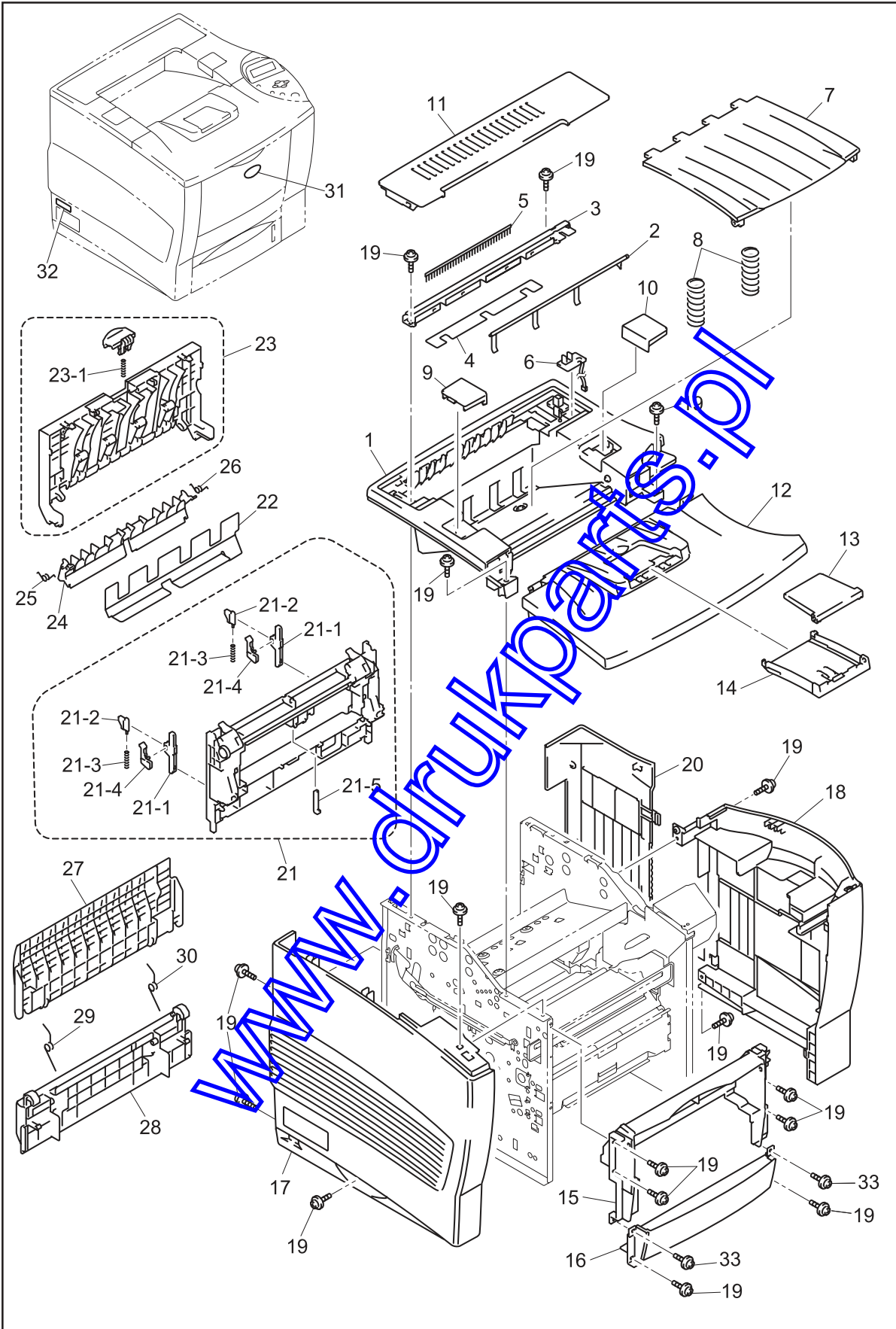
MODEL HL-2460/2460N 84T-U05/06-770

9. COVERS / LABELS

REF.NO.	CODE	Q'TY	DESCRIPTION	REMARK
1	LJ0062001	1	TOP COVER	
2	LJ0063001	1	PAPER ACTUATOR	
3	LJ1779001	1	ACTUATOR PLATE	chng
4	LJ0830001	1	ACTUATOR PLATE FILM	
5	LJ0065001	1	EJECT DISCHARGING BRUSH	
6	LJ8522001	1	FULL SENSOR PCB ASSY	
7	LJ0066001	1	SWING PAPER TRAY	
8	LJ0067001	2	SWING PAPER TRAY SPRING	
9	LJ0068001	1	MX CAP B	
10	LJ0069001	1	MX CAP C	
11	LJ0070001	1	MX CAP A	
12	LJ0071001	1	OPEN COVER	
13	UH1540001	1	PAPER STOPPER	
14	UH1541002	1	PAPER STOPPER GUIDE	
15	LJ0072001	1	FRONT COVER 1	
16	LJ0073001	1	FRONT COVER 2	
17	LJ0074001	1	SIDE COVER L	
18	LJ0075001	1	SIDE COVER R 1	
19	087320816	16	TAPTITE, CUP S M3X8	
20	LJ0076001	1	SIDE COVER R 2	
21	LJ0077001	1	REAR COVER ASSY	
21-1	LJ0899001	2	RELEASE ROD EVE	
21-2	LJ0892001	2	SLIDER	
21-3	LJ0860001	2	EVE SPRING	
21-4	LJ0940001	2	EVE CHANGE LEVER	
21-5	LJ1819001	1	REAR ACTUATOR 2P	ADD
22	LJ0913001	1	REAR FILM	
23	LJ1602001	1	REAR TRAY ASSY 2	
23-1	LJ0093001	1	ROCK SPRING	
24	LJ0094001	1	FLAP	
25	LJ0095001	1	FLAP SPRING L	
26	LJ0096001	1	FLAP SPRING R	
27	LJ1654001	1	FU PROTECTION COVER UPPER	
28	LJ1655001	1	FU PROTECTION COVER LOWER	
29	LJ0806001	1	FU PROTECTION COVER SPRING L	
30	LJ0807001	1	FU PROTECTION COVER SPRING R	
31	LJ5030001	1	BROTHER EMBLELM	
32	UH0905001	1	PATENT LABEL	
32	LJ4421001	1	MARNG LABEL N/S	
32	LJ4541001	1	HOT LINE LABEL	
32	UH3297001	1	C-TICK MARK(HL-2460 only)	
33	087321015	2	TAPTITE, CUP S M3X10	

MODEL HL-2460/2460N 84T-U05/06-500

9. COVERS / LABELS



MODEL HL-2460/2460N 84T-U05/06-400/670

10. SWITCH PANEL

REF.NO.	CODE	Q'TY	DESCRIPTION	REMARK
1	LJ0098001	1	SW PANEL UNIT (HL-2460 only)	
1	LJ1004001	1	SW PANEL N UNIT (HL-2460N only)	
1	LJ0982001	1	SW PANEL UNIT NB (HL-2460 only)	
1-1	LJ0849001	1	PRINTED PANEL COVER	
1-2	LJ0100001	1	LCD HOLDER	
1-3	LJ0456001	1	DIFFUSION FILM	
1-4	LJ5296001	1	PANEL LIGHT GUIDE	
1-5	LJ5297001	1	KEY	
1-6	LJ5298001	1	KEY TOP A	
1-7	LJ5299001	1	KEY TOP B	
1-8	LJ0103001	1	PANEL REAR COVER	
1-9	LJ8525001	1	PANEL PCB ASSY	
1-10	LJ8529001	1	LCD:LMG16D2	
1-11	LJ8362001	1	BACK LIGHT PCB ASSY	
1-12	LJ0730001	1	CLEAR PANEL ASSY (HL-2460 only)	
1-12	LJ0983001	1	CLEAR PANEL ASSY NB (HL-2460 only)	
1-12	LJ1005001	1	CLEAR PANEL N ASSY (HL-2460N only)	
1-13	087310816	5	TAPTITE, CUP B M3X8	

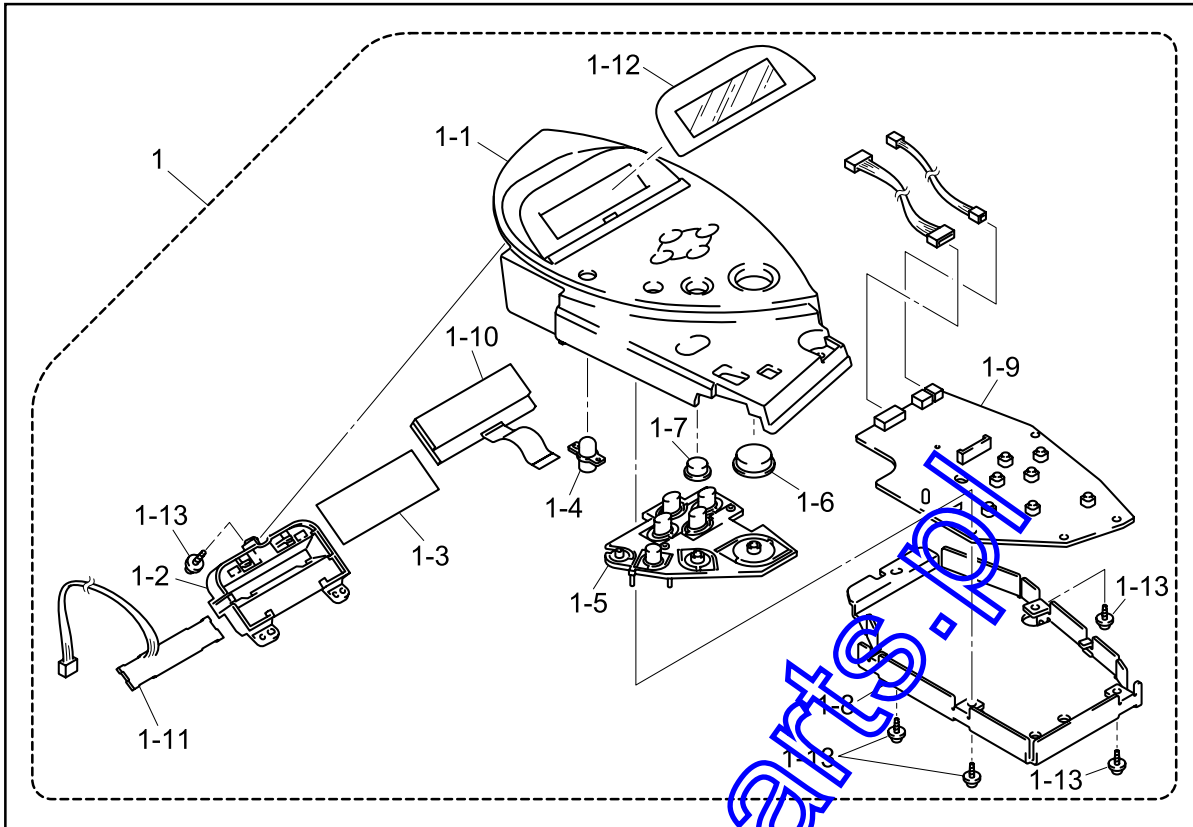
MODEL HL-2460/2460N 84T-U05/06-500

11. MAIN PCB

REF.NO.	CODE	Q'TY	DESCRIPTION	SYMBOL	REMARK
1	LJ8926001	1	MAIN PCB ASSY, HL-2460	B512088-201B	chg
1	LJ9342001	1	MAIN PCB ASSY FLASH, HL-2460	B512120	ADD
2	LJ8905001	1	DIMM 16M		

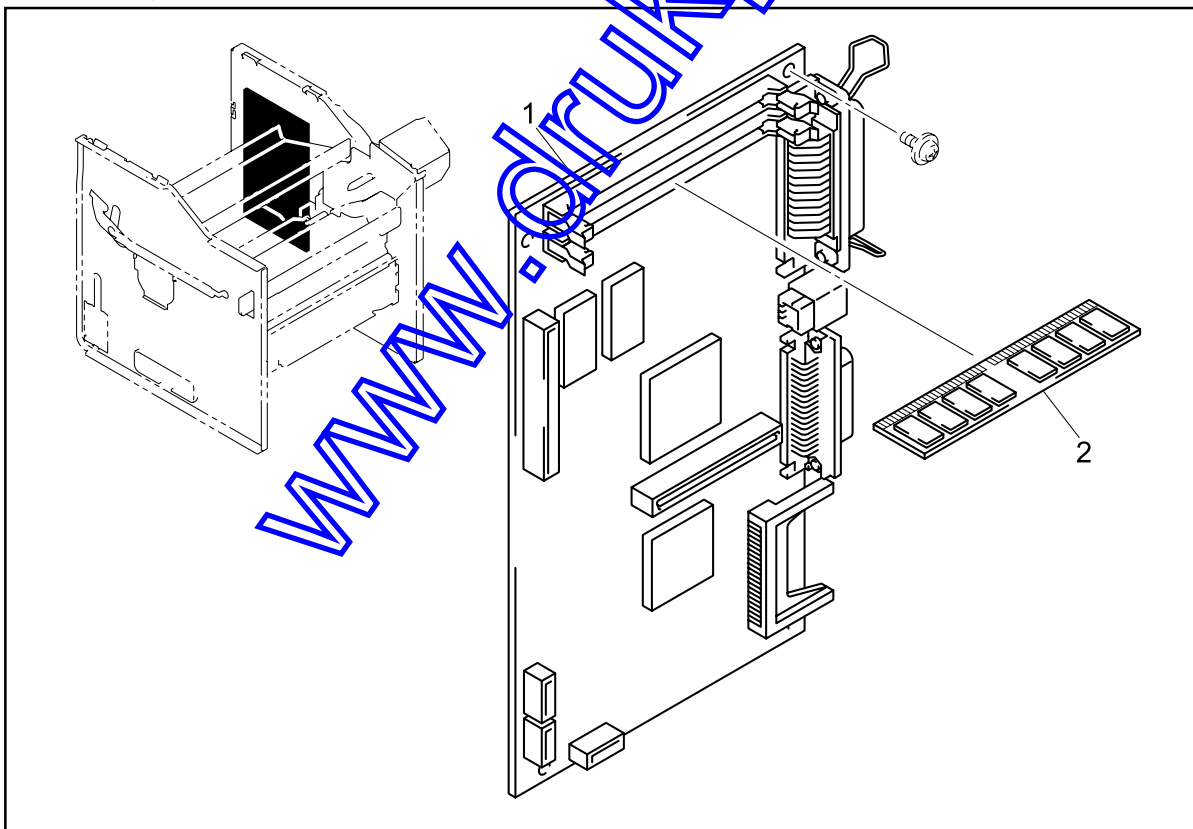
MODEL HL-2460/2460N 84T-U05/06-500

10. SWITCH PANEL



MODEL HL-2460 / 2460N 84T-U05/06-410

11. MAIN PCB



MODEL HL-2460 / 2460N 84T-U05/06-103

12. ENGINE PCB

REF.NO.	CODE	QTY	DESCRIPTION	SYMBOL	REMARK
1	LJ8501001	1	ENGINE PCB ASSY, 2460	B512088-200M	
1	LJ9299001	1	ENGINE PCB ASSY, HL-2460 FLASH	201A	Rev.CHNG
2	LJ0821001	1	ENGINE PCB SUPPORT		

MODEL HL-2460/2460N 84T-U05/06-500

PCI No. PrPn020012/

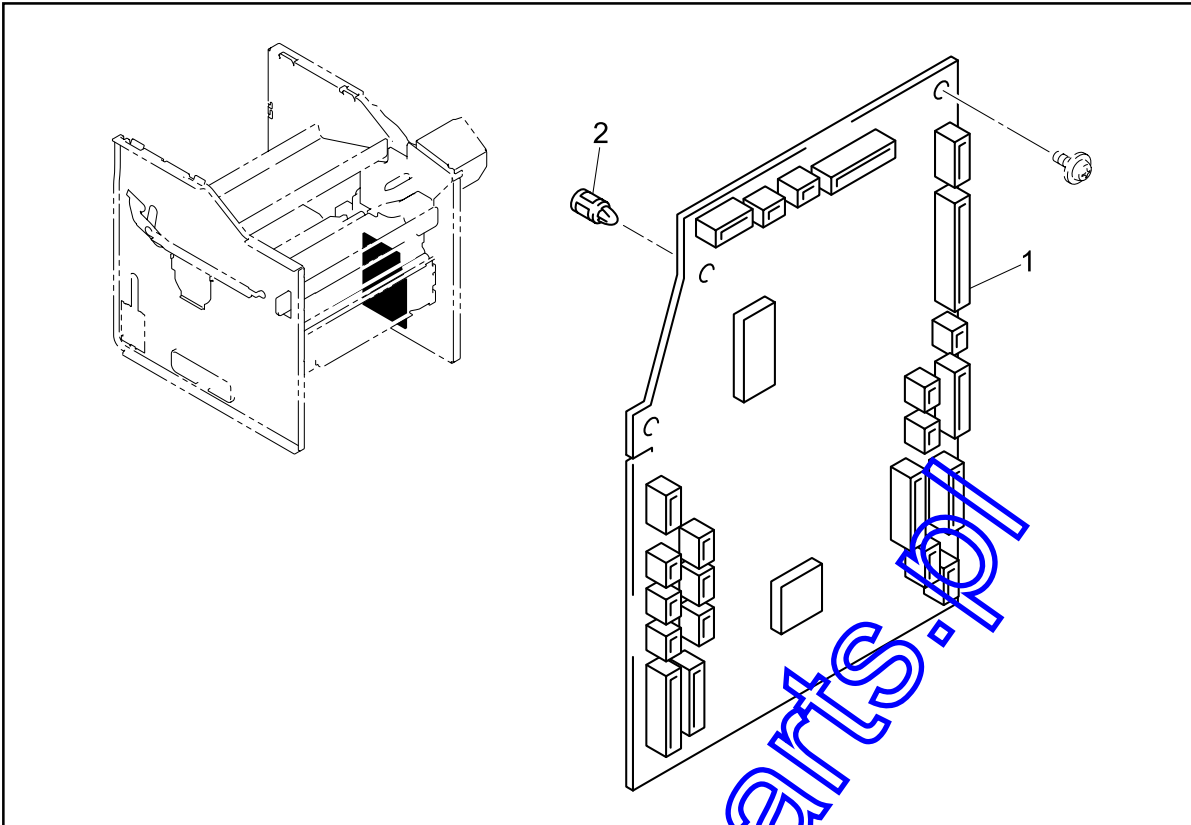
13. HIGH-VOLTAGE POWER SUPPLY PCB

PR2002170

REF.NO.	CODE	QTY	DESCRIPTION	SYMBOL	REMARK
1	LJ8519001	1	HVPS PCB ASSY, 2460	A	Rev.CHNG
2	LJ0051001	1	TRANSFER PLATE		
3	087320616	1	TAPTITE, CUP S M3X6		
4	085411015	2	TAPTITE, BIND B M4X10		

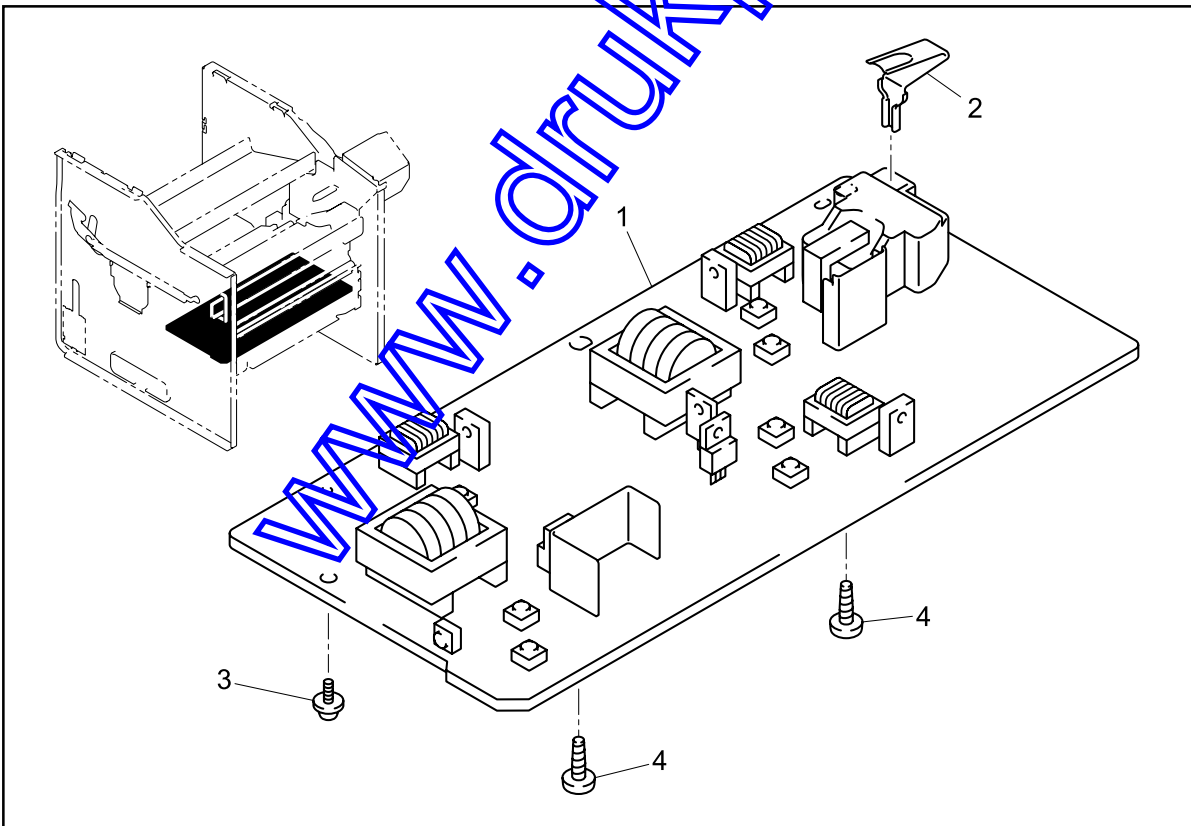
MODEL HL-2460/2460N 84T-U05/06-500

12. ENGINE PCB



MODEL HL-2460/2460N 84T-U05/06-104

13. HIGH-VOLTAGE POWER SUPPLY PCB



MODEL HL-2460/2460N 84T-U05/06-200

14. LOW-VOLTAGE POWER SUPPLY PCB

REF.NO.	CODE	Q'TY	DESCRIPTION	SYMBOL	REMARK
1	LJ9134001	1	LVPS PCB ASSY 2460, 115V (SP)		add
1	LJ9135001	1	LVPS PCB ASSY 2460, 230V (SP)		add
1-1	LJ8551001	1	MAIN LVPS PCB ASSY 2460, 115V		
1-1	LJ8520001	1	MAIN LVPS PCB ASSY 2460, 230V		
1-2	LJ0457001	1	INLET UNIT 2460, 115V		
1-2	LJ0052001	1	INLET UNIT 2460, 230V		

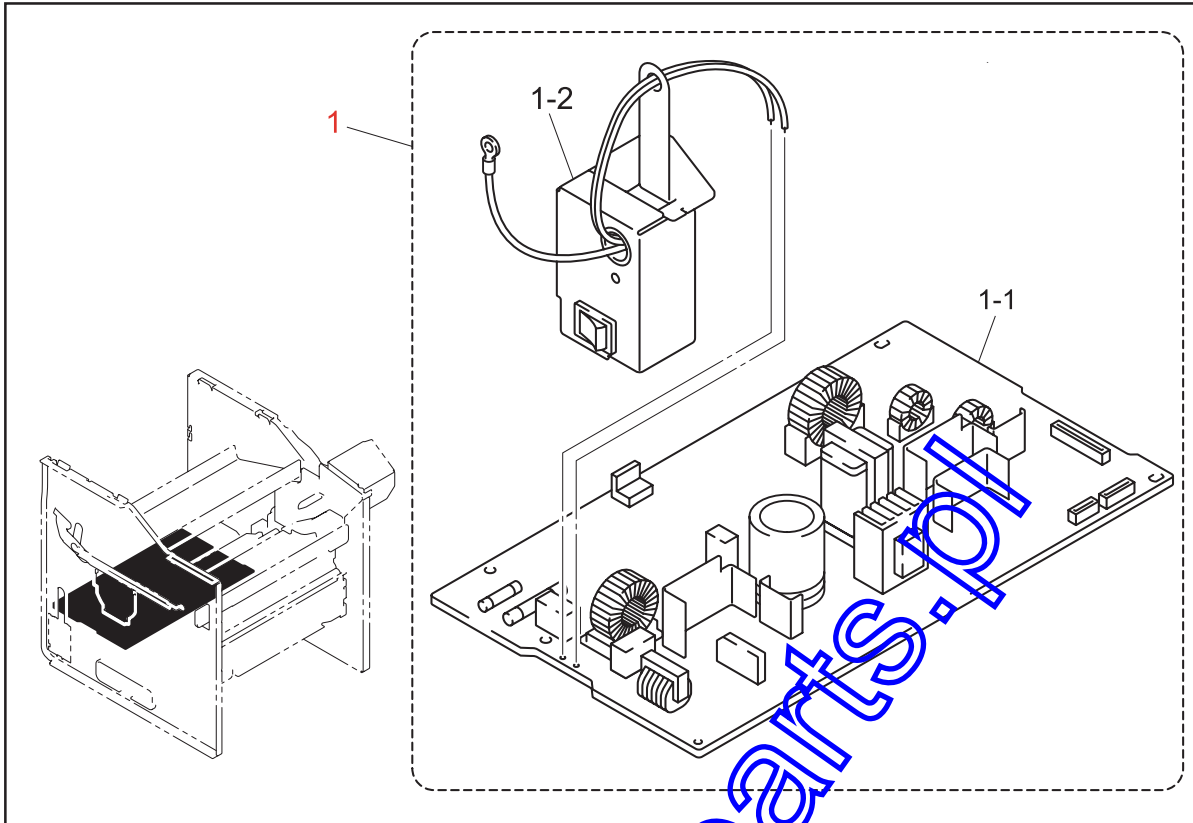
MODEL HL-2460/2460N 84T-U05/06-300

15. AC CORDS

REF.NO.	CODE	Q'TY	DESCRIPTION	SYMBOL	REMARK
1A	UH1051001	1	AC CORD, UL/CSA		
1B	LJ9666001	1	AC CORD LF, 5A		chg
1C	UK4502001	1	AC CORD ASSY, SEV		
1D	UK4099001	1	AC CORD, CHL (HL-2460 only)		
1E	UH1054001	1	AC CORD, BS		
1F	U34322001	1	AC CORD #6 ISRAEL		
1G	UK4094001	1	AC CORD, DEMKO		
1H	UK4501001	1	AC CORD ASSY, VDE		
1I	LJ8288001	1	AC CORD ASSY, SOUTH AFRICA (HL-2460 only)		
1J	LJ9921001	1	AC CORD ASSY LF, BS/PSB		CHG

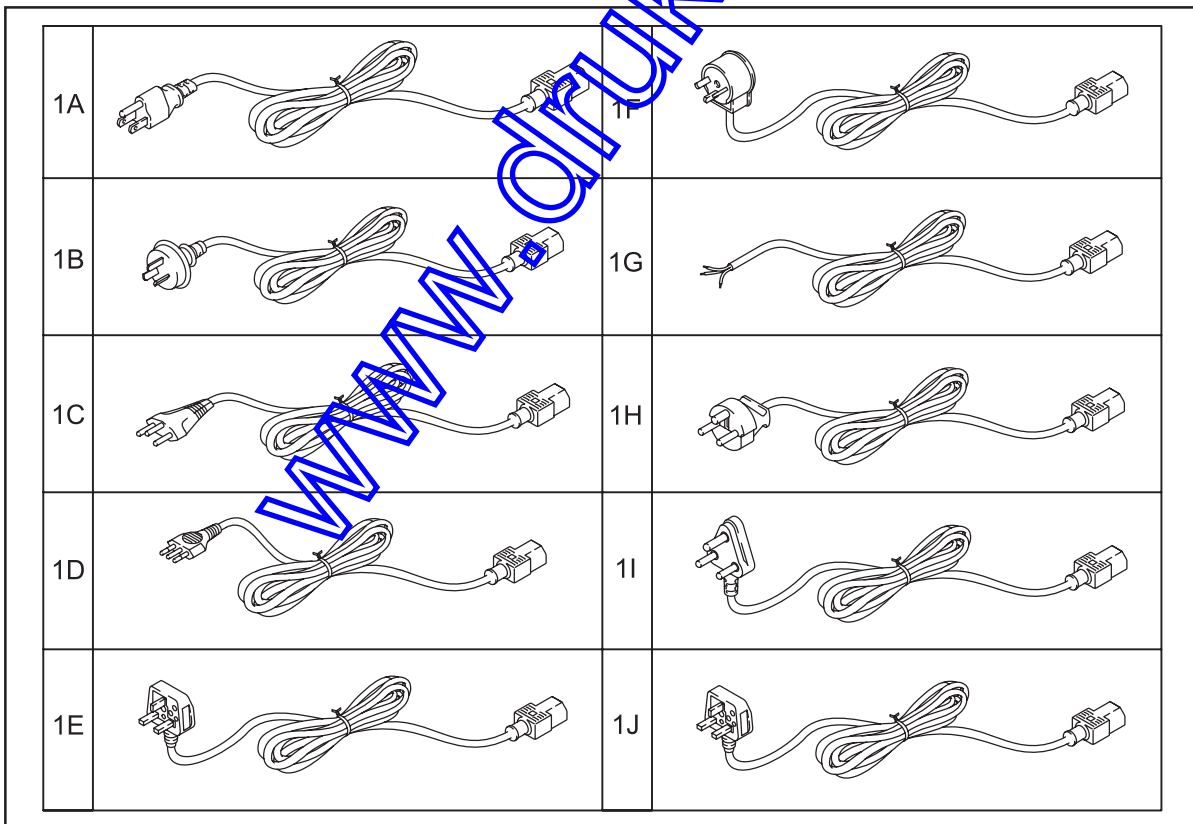
MODEL HL-2460/2460N 84T-U05/06-500

14. LOW-VOLTAGE POWER SUPPLY PCB



MODEL HL-2460/2460N 84T-U05/06-300

15. AC CORDS



MODEL HL-2460/2460N 84T-U05/06-050

16. ACCESSORIES

PR2002115

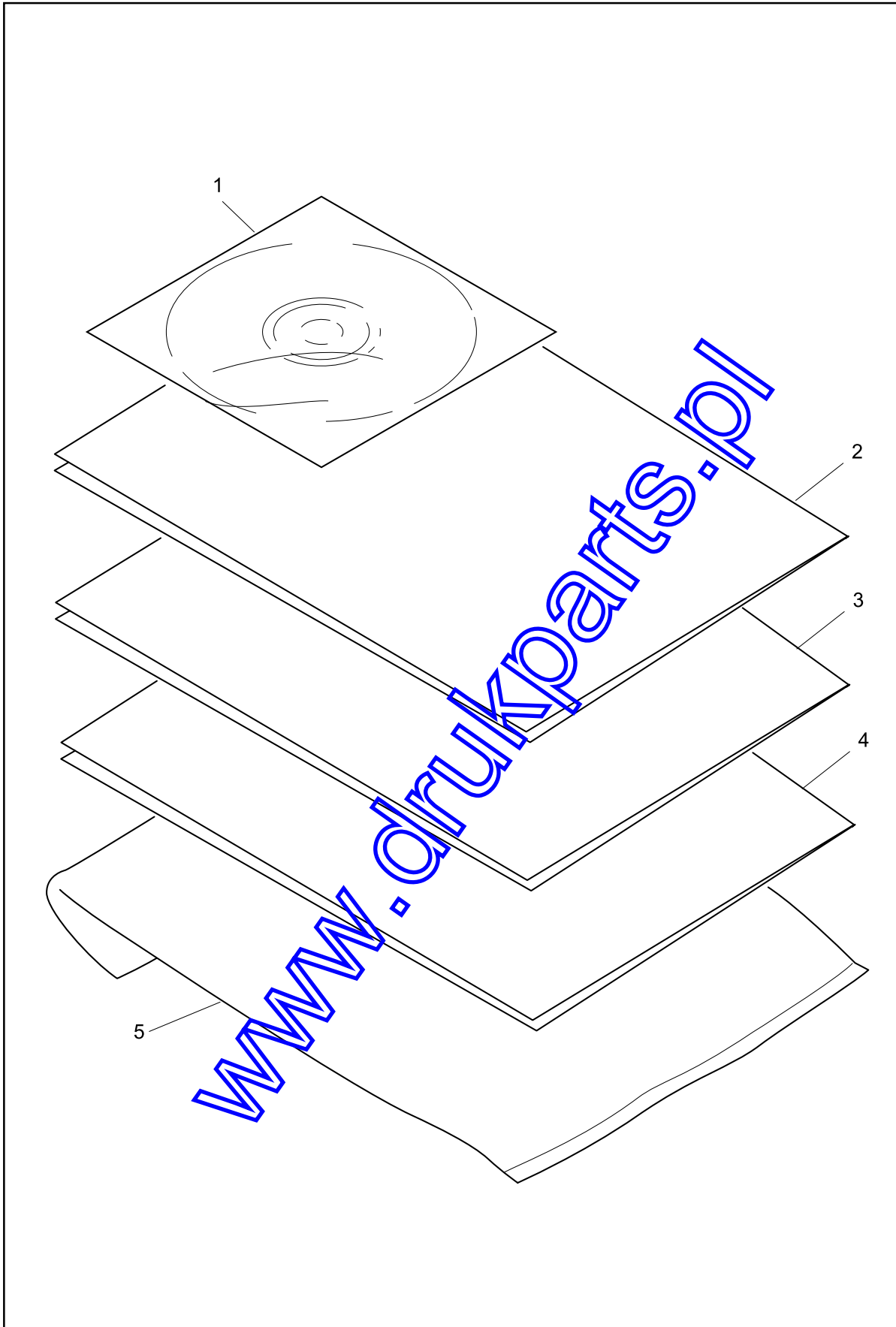
REF.NO.	CODE	Q'TY	DESCRIPTION	REMARK
1	LJ1006001	1	CD ASSY	Ver.C
2	LJ1036001	4	SOFT GUIDE US	DEL
2	LJ1029001	4	SOFT GUIDE FRA	DEL
2	LJ1037001	4	SOFT GUIDE GER	DEL
2	LJ1033001	4	SOFT GUIDE NOR	DEL
2	LJ1030001	4	SOFT GUIDE NL	DEL
2	LJ1035001	4	SOFT GUIDE DEN	DEL
2	LJ1032001	4	SOFT GUIDE SPA	DEL
2	LJ1031001	4	SOFT GUIDE ITA	DEL
2	LJ1034001	4	SOFT GUIDE SWE	DEL
2	LJ1574001	1	SET UP GUIDE USA	ADD
2	LJ1575001	1	SET UP GUIDE GER	ADD
2	LJ1576001	1	SET UP GUIDE FRE	ADD
2	LJ1577001	1	SET UP GUIDE DUT	ADD
2	LJ1578001	1	SET UP GUIDE ITA	ADD
2	LJ1579001	1	SET UP GUIDE SPA	ADD
2	LJ1580001	1	SET UP GUIDE NOR	ADD
2	LJ1581001	1	SET UP GUIDE SWE	ADD
2	LJ1582001	1	SET UP GUIDE DEN	ADD
3	LJ1583001	1	NETWORK SET UP GUIDE US	
3	LJ1585001	1	NETWORK SET UP GUIDE FRA	
3	LJ1584001	1	NETWORK SET UP GUIDE GER	
3	LJ1589001	1	NETWORK SET UP GUIDE NOR	
3	LJ1591001	1	NETWORK SET UP GUIDE DEN	
3	LJ1588001	1	NETWORK SET UP GUIDE SPA	
3	LJ1587001	1	NETWORK SET UP GUIDE ITA	
3	LJ1590001	1	NETWORK SET UP GUIDE SWE	
3	LJ1586001	1	NETWORK SET UP GUIDE DUT	
4	LJ4961001	1	BAG, 215X350H	

www.drumparts.pl

MODEL HL-2460/2460N 84T-U05/06-500

T/I NO. PR2001136 / PR2002079 / PR2002115

16. ACCESSORIES



MODEL HL-2460/2460N 84T-U05/06-920

17. PACKING MATERIALS

PR2002155

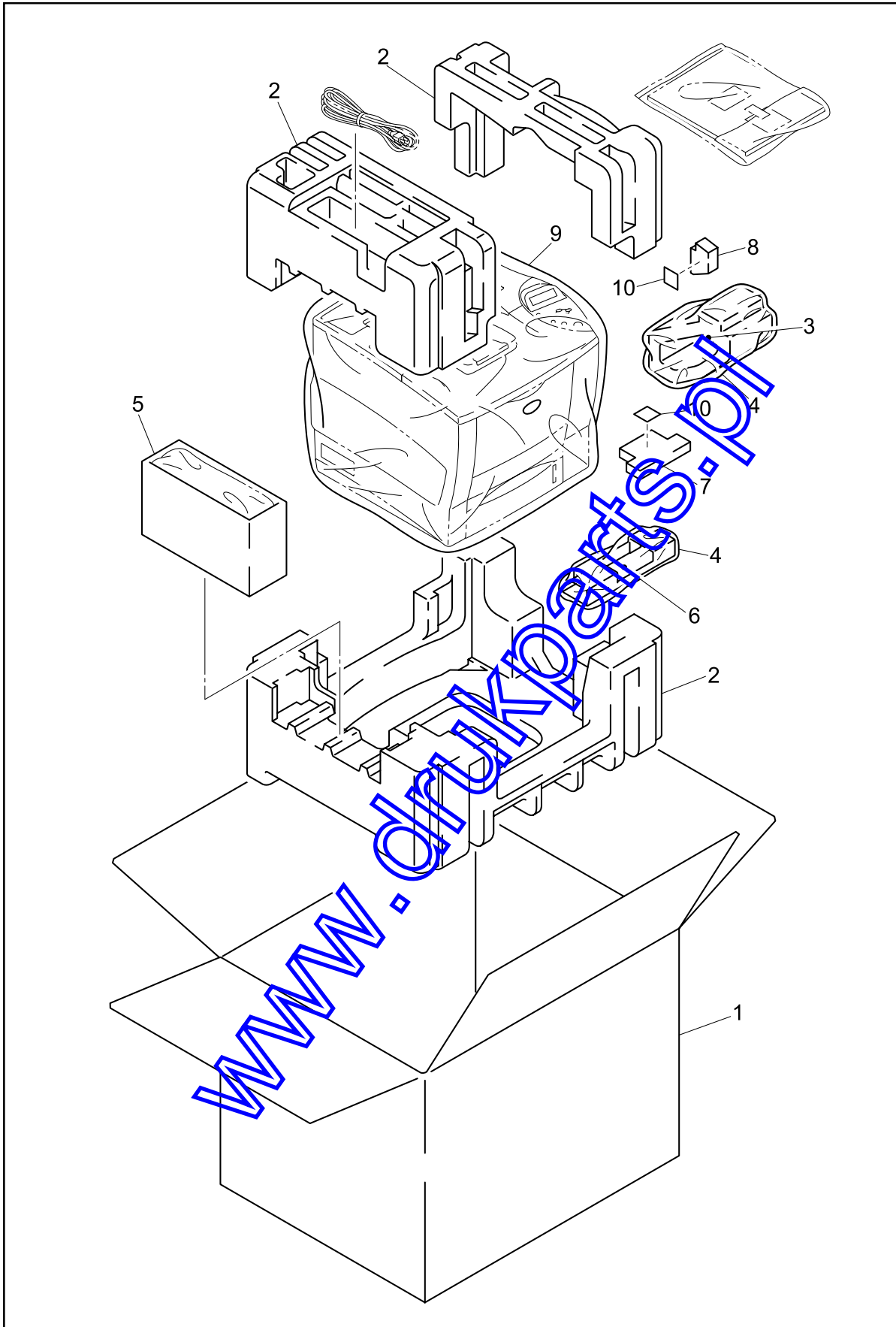
REF.NO.	CODE	Q'TY	DESCRIPTION	REMARK
1	LJ0879001	1	CARTON, HL-2460	
1	LJ0972001	1	CARTON, HL-2460 NB	
1	LJ1002001	1	CARTON, HL-2460N	
2	LJ0445001	1	STYROFOAM ASSY	
3	LJ0851001	1	PLATE HOLDER SF	
4	LJ0900001	2	BAG, 300X360H	
5	LJ0856001	1	CARTRIDGE CARTON	
6	LJ1738001	1	TRAY HOLD PAD	CODE CHNG
7	LJ0973001	1	SPACER MP	
8	LJ0852001	1	SWING PAPER TRAY HOLDER	
9	LJ0763001	1	BAG, 1000X1000H	
10	X60267002	2	RECYCLE LABEL	

www.drukparts.pl

MODEL HL-2460/2460N 84T-U05/06-500

T/I NO. PR2002155

17. PACKING MATERIALS



MODEL HL-2460 / 2460N 84T-U05/06-930

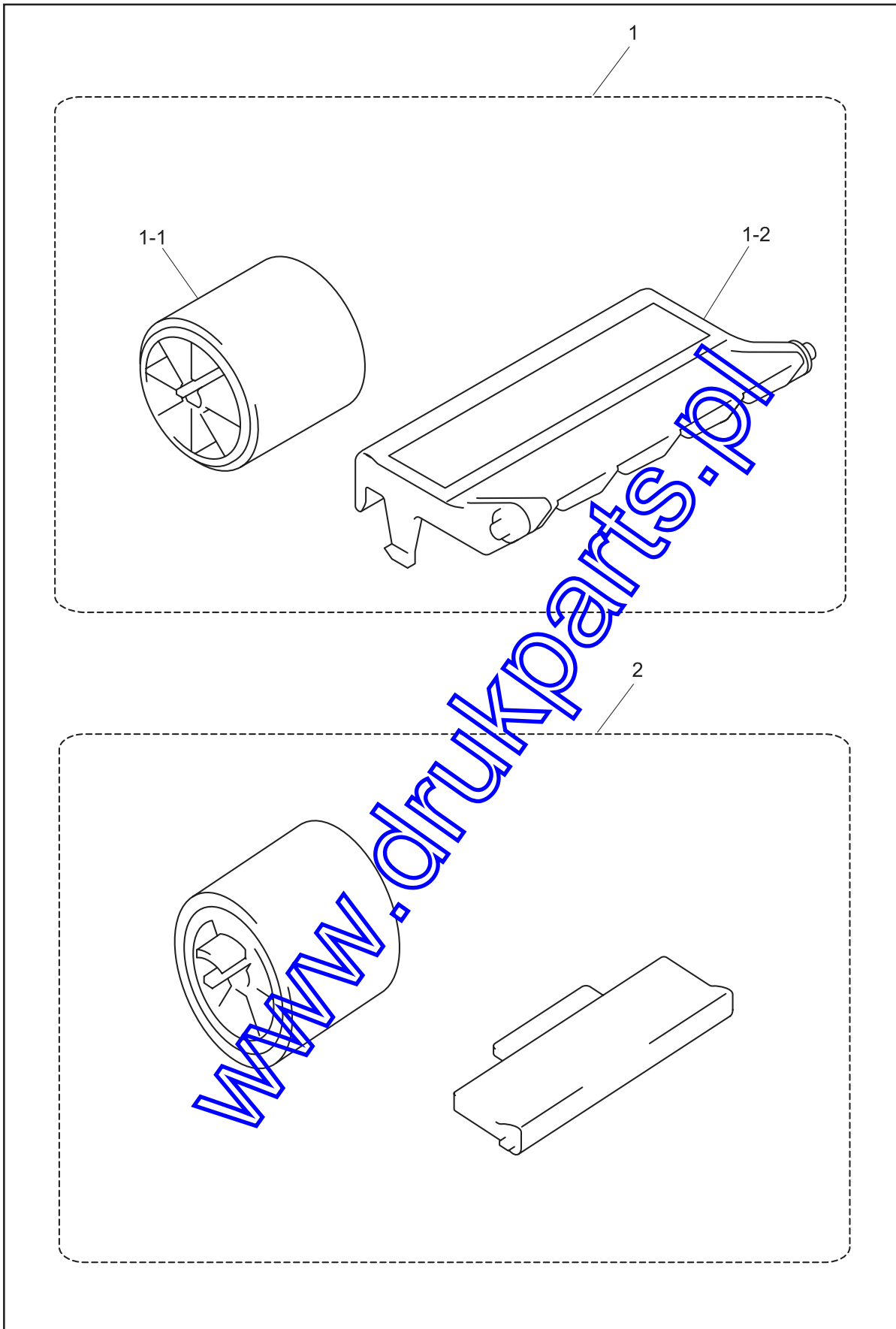
18. PERIODICAL MAINTENANCE PARTS

REF.NO.	CODE	Q'TY	DESCRIPTION	REMARK
1	LJ0977001	1	PAPER FEEDING KIT	ADD
1-1	LJ0270001	1	PAPER FEED ROLLER ASSY 45 *1	
1-2	LJ0374001	1	SEPARATION PAD ASSY *2	
2	LJ0991001	1	PAPER FEEDING KIT MP	
			*1 Refer to "5. PAPER FEED". *2 Refer to "7. PAPER TRAY".	

www.drukparts.pl

MODEL HL-2460/2460N 84T-U05/06-500

18. PERIODICAL MAINTENANCE PARTS



MODEL HL-2460/2460N 84T-U05/06

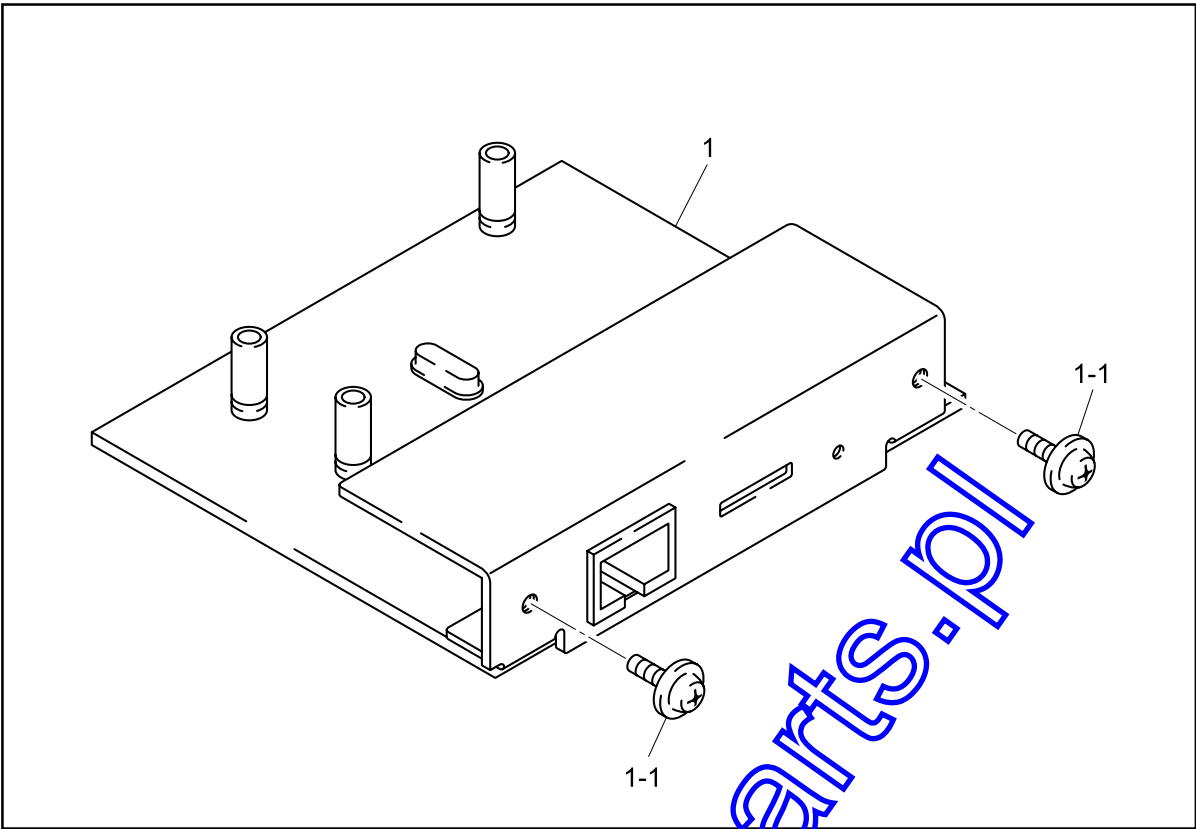
19. NETWORK BOARD

REF.NO.	CODE	Q'TY	DESCRIPTION	REMARK
1	LJ8671001	1	BRNET PCB UNIT 4100H	
1-1	002300616	1	SCREW,PAN M3X6	

www.drukparts.pl

MODEL HL-2460/2460N 84T-U05/06-500

14. NETWORK BOARD



MODEL HL-2460/2460N 84T-U05/06