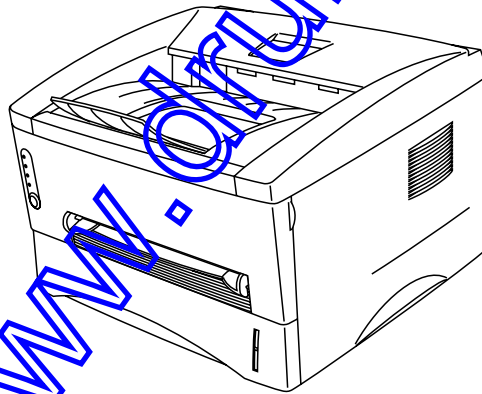




# Brother Laser Printer **PARTS REFERENCE LIST**

**MODEL:HL-1230/1440/1450/1470N**



Read this list thoroughly before maintenance work.

Keep this list in a convenient place for quick and easy reference at all times.

## NOTE FOR USING THIS PARTS REFERENCE LIST

1. In the case of ordering parts, it needs mentioning the following items:

- (1) Code
- (2) Q'ty
- (3) Description
- (4) Symbol ( PCB No., Revision , and Parts location mounted on the PCB.)

*Note : No orders without Parts Code or Tool No. can be accepted.*

< Example >

	(1)	(2)	(3)	(4)	
REF.NO.	CODE	Q'TY	DESCRIPTION	SYMBOL	REMARK

Revision No.: marked on the **main printed circuit board**.

**B48K056 - 201A**

Design change indication  
 Specification No .  
 Pattern alteration No.  
 Circuit board No.

Revision No.: marked on the **power supply printed circuit board**.

**Rev. A**

Design change indication  
 (The first version has no sign.)

2. Design-changed parts :

If the parts are changed, any one of the following symbols is indicated in the REMARKS column.

- #A : Compatible between old and new
- #B : Replaceable from old to new
- #D : Incompatible
- # : Newly established

3. The original of this list was made based on the information available in May 2001.

4. Parts are subject to change in design without prior notice.

## CONTENTS

1.	<u>FRAME / DRIVE UNIT</u> .....	1
2.	<u>LASER UNIT</u> .....	1
3.	<u>PAPER FEED</u> .....	3
4.	<u>FIXING UNIT</u> .....	5
5.	<u>PAPER CASSETTE</u> .....	7
6.	<u>COVERS/LABELES</u> .....	9
7.	<u>MAIN PCB</u> .....	11
8.	<u>ENGINE PCB</u> .....	13
9.	<u>LOW-VOLTAGE POWER SUPPLY PCB</u> .....	13
10.	<u>HIGH-VOLTAGE POWER SUPPLY PCB</u> .....	15
11.	<u>AC CORDS</u> .....	15
12.	<u>ACCESSORIES</u> .....	17
13.	<u>PACKING MATERIALS</u> .....	19
14.	<u>NETWORK BOARD</u> .....	19

[www.drukparts.pl](http://www.drukparts.pl)

1. FRAME / DRIVE UNIT

REF.NO.	CODE	Q'TY	DESCRIPTION	SYMBOL	REMARK
1	LE1744001	1	MAIN MOTOR ASSY/E		
2	087320616	4	TAPTITE, CUP S M3X6		
3	LJ5701001	1	SOLENOID ASSY/E		
4	000300415	1	SCREW, BIND M3X4		
5	LJ4432001	4	TAPE 32X12		
6	UL8984001	1	LINK		
7	LJ4745001	1	FAN MOTOR UNIT (Australia only)		
7	LM2688001	1	FAN MOTOR ASSY		ADD
8	LJ5704001	1	TONER EMPTY LED PCB UNIT E (Light emission)	B512038-4	
9	UK4405001	1	PANEL PCB ASSY		
10	087320616	3	TAPTITE, CUP S M3X6		
11	LJ7403001	4	RUBBER FOOT		
12	UL9104001	1	TONER EMPTY PCB UNIT (Light reception)	B512037-2	
13	087320616	1	TAPTITE, CUP S M3X6		
14	LJ8031001	1	LT RELAY PCB ASSY (HL-1450/1470N)	B512000-1	
15	087320616	1	TAPTITE, CUP S M3X6		
16	LE1169001	1	USB GROUND PLATE (HL-1440 Europe)		
17	LJ5703001	1	SOLENOID RELEASE SPRING/E		
18	LJ5591001	1	PLANET GEAR ASSY (SP)		
19	UL8985001	1	GEAR 59		
20	LJ5705001	4	GEAR 21 PRESSURE PLATE		del
21	087320616	1	TAPTITE, CUP S M3X6		
22	UL8972001	1	P/R CLUTCH LEVER		
23	UL8971001	1	F/R CLUTCH LEVER		
24	UL8982001	1	DEVELOP JOINT		
25	UL8983001	1	JOINT SPRING		
26	LJ7157001	1	FRONT SHIELD FILM		
27	LJ7158001	1	REAR SHIELD FILM		
28	LJ7159001	1	CENTER SHIELD FILM		
29	UL8959001	4	FRICITION SPRING		delete
30	LJ5838001	1	PLANET GEAR ASSY B (SP)		chg

MODEL HL-1230/1440/1450/1470N/1430/1435 84U-Z31/Z32/Z33/Z34/Z36-010

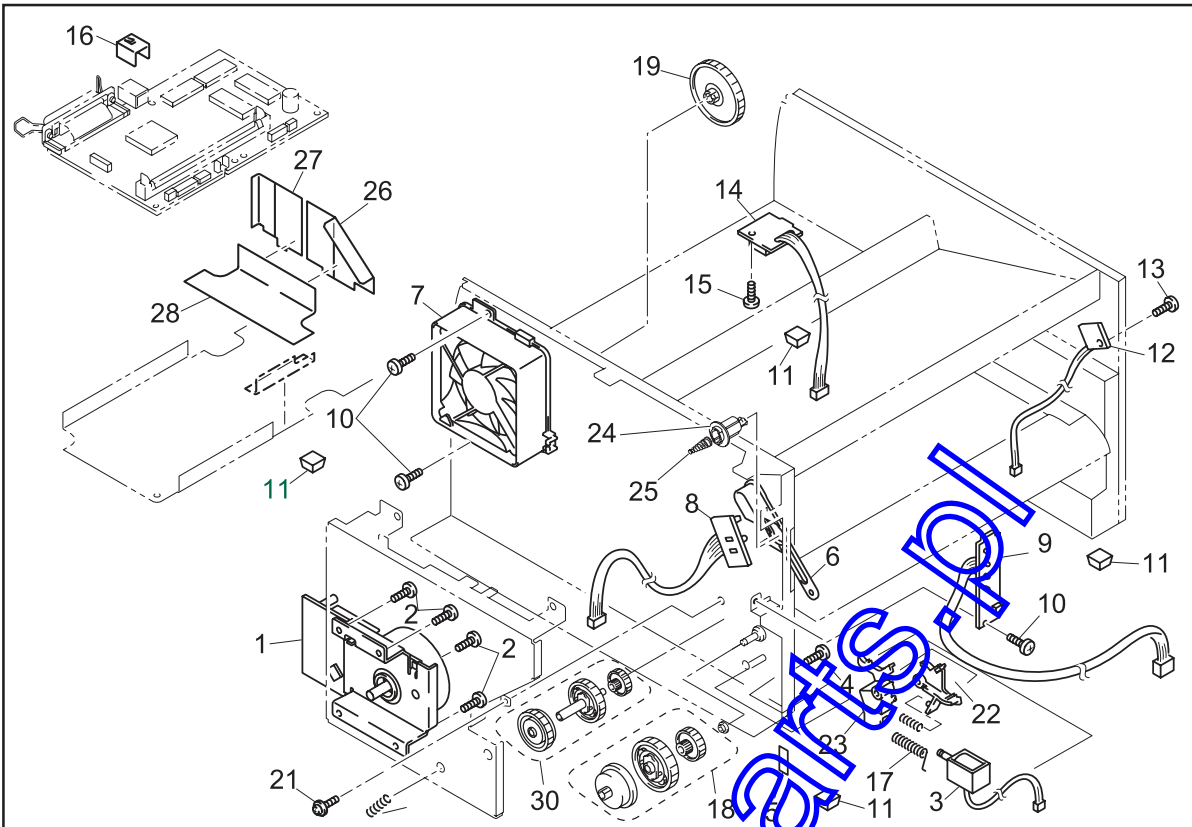
T/I NO. PR2002013 / PR2002035 / PR2002071 / PR2002098 / PR2002139 / PR2002157

2. LASER UNIT

REF.NO.	CODE	Q'TY	DESCRIPTION	SYMBOL	REMARK
1	LJ5828001	1	LASER UNIT E (SP)		
2	087321615	3	TAPTITE, CUP S M3X16		

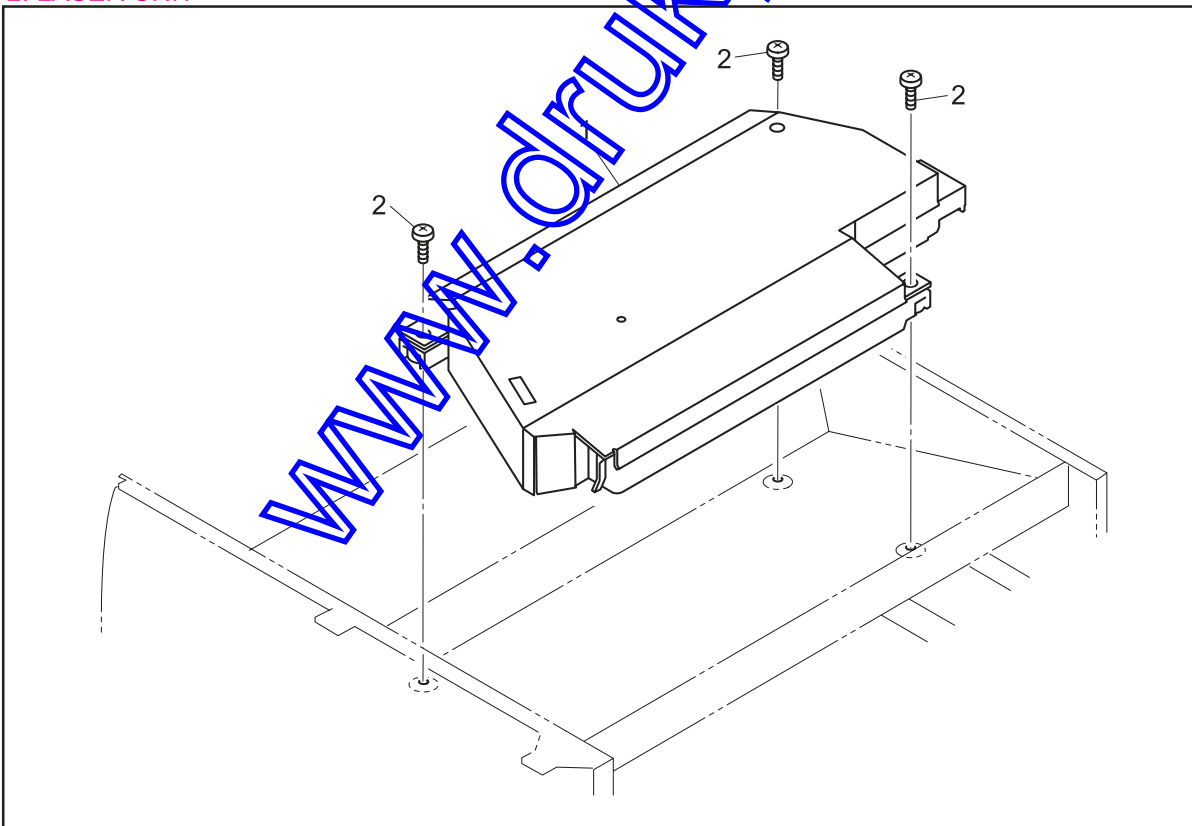
MODEL HL-1230/1440/1450/1470N/1430/1435 84U-Z31/Z32/Z33/Z34/Z36-020

## 1. FRAME / DRIVE UNIT



MODEL HL-1230/1440/1450/1470N 84U-Z31/Z32/Z33/Z34-010

## 2. LASER UNIT



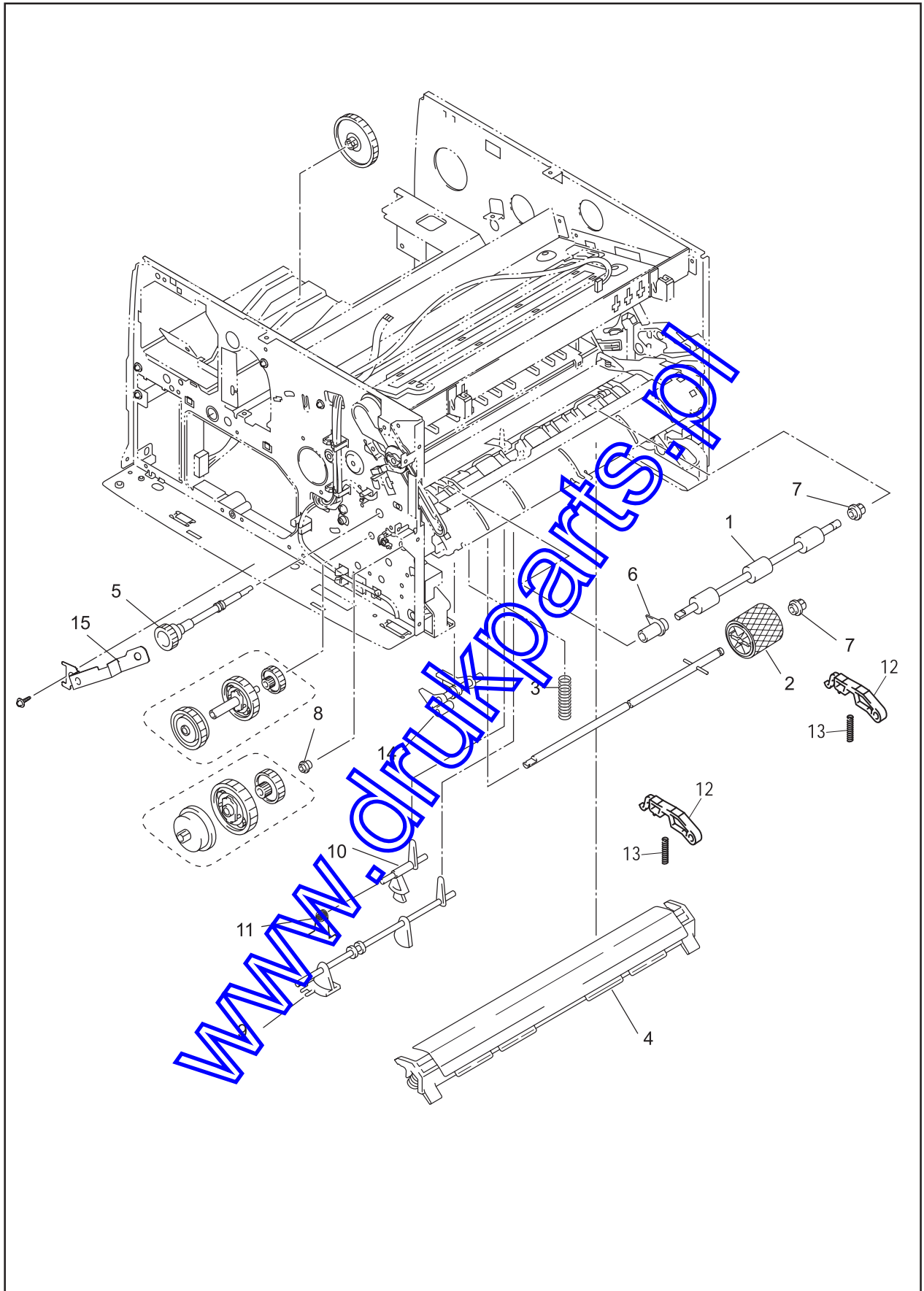
MODEL HL-1230/1440/1450/1470N 84U-Z31/Z32/Z33/Z34-020

3. PAPER FEED

REF.NO.	CODE	Q'TY	DESCRIPTION	REMARK
1	UL9060001	1	PAPER FEED ROLLER ASSY	
2	UL9066001	1	PAPER PICK-UP ROLLER ASSY	
3	LJ4499001	1	TR ELECTRODE HELICAL SPRING	
4	LJ4843001	1	OUTER CHUTE 1 (SP)	
5	UL9070001	1	GEAR 21	
6	UL9059001	1	JOINT 5	
7	UL9062001	2	BEARING 5	
8	UL9069001	1	CONDUCTOR BEARING 5	
9	UL9049001	1	REGIST FRONT ACTUATOR	add
10	UL9050001	1	REGIST REAR ACTUATOR	add
11	UL9051001	1	REGIST REAR ACTUATOR SPRING	add
12	UL9053001	2	TRANSFER ARM	add
13	UL9052001	2	TRANSFER SPRING	add
14	UU2042001	1	ACTUATOR CASSET *1	add
15	LJ5705001	1	GEAR 21 PRESSURE PLATE	ADD
			*1 Except for HL-1230/ HL-1440	

MODEL HL-1230/1440/1450/1470N/1430/1435 84U-Z31/Z32/Z33/Z34/Z36-040

### 3. PAPER FEEDER



MODEL HL-1230/1440/1450/1470N/1430 84U-Z31/Z32/Z33/Z34/Z36-040

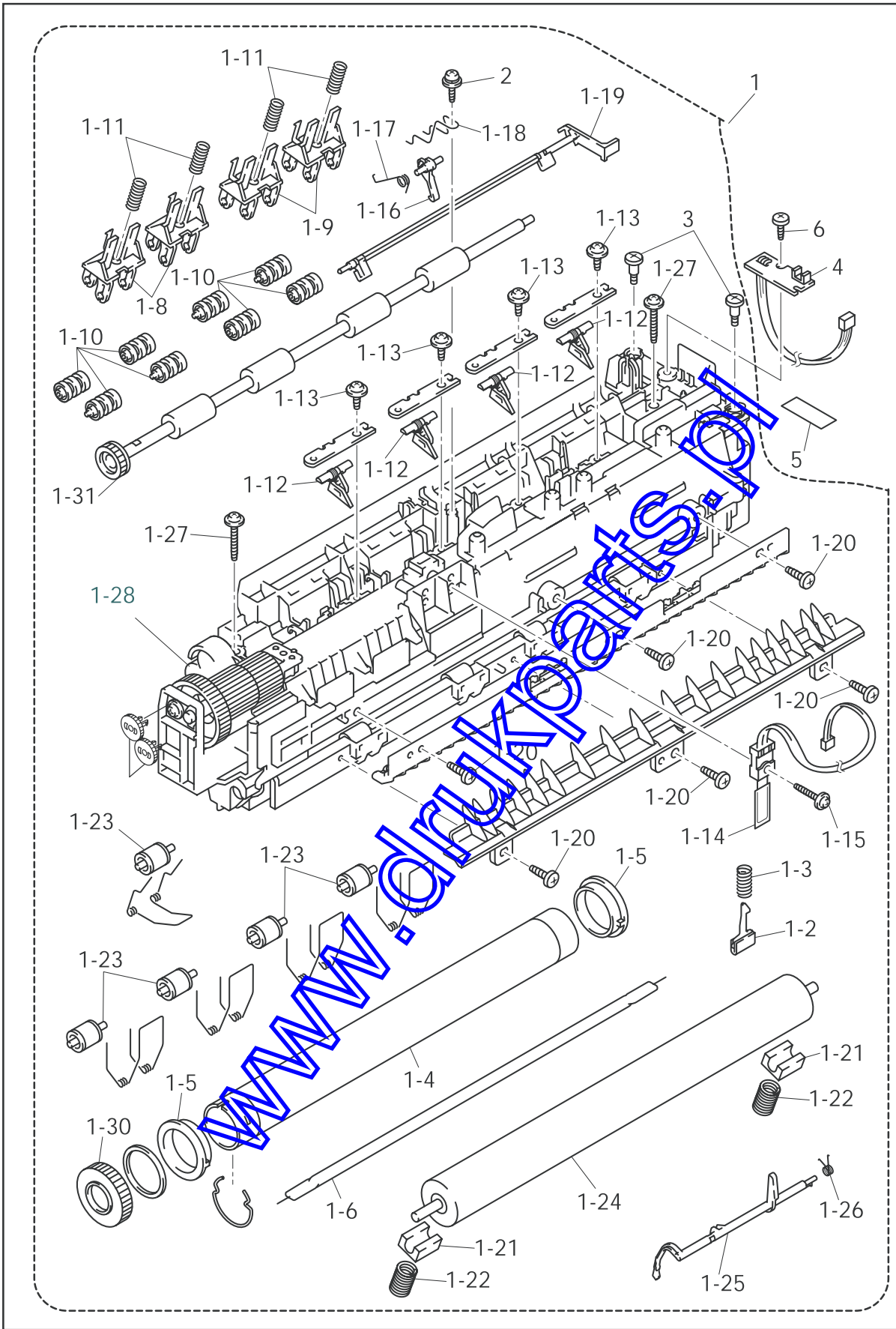
4. FIXING UNIT

REF.NO.	CODE	Q'TY	DESCRIPTION	SYMBOL	REMARK
1	LJ7161001	1	FIXING UNIT, 115V (SP)		
1	LJ7162001	1	FIXING UNIT, 230V (SP)		
1-2	LJ5682001	1	CLEANER ASSY E		
1-3	UH3635001	1	CLEANER SPRING 30		
1-4	LJ5684001	1	HEAT ROLLER 25		
1-5	UL8908001	2	HR BEARING 25		
1-6	LJ5685001	1	HALOGEN LAMP, 115V		
1-6	LJ5695001	1	HALOGEN LAMP, 230V		
1-8	LJ5276001	2	EJECT PINCH ROLLER HOLDER L		
1-9	LJ5277001	2	EJECT PINCH ROLLER HOLDER R		
1-10	LJ5278001	8	EJECT PINCH ROLLER		
1-11	LJ5279001	4	EJECT PINCH SPRING		
1-12	LJ7877001	4	SEPARATE CLAW ASSY C		chg
1-13	087310615	4	TAPTITE, CUP B M3X6		
1-14	LJ5686001	1	THERMISTOR ASSY		
1-15	085311216	1	TAPTITE, BIND B M3X12		
1-16	LJ5734001	1	EJECT ACTUATOR 2		
1-17	LJ5732001	1	EJECT ACTUATOR SPRING 2		
1-18	LJ5736001	1	ACTUATOR HOLDER		
1-19	LJ5735001	1	EJECT ACTUATOR 3		
1-20	085311015	6	SCREW,BIND B TITE 3X10		
1-21	UL8916001	2	PR BEARING		
1-22	LJ5690001	2	PR SPRING		
1-23	LJ5268001	5	CLEANER PINCH ROLLER ASSY		
1-24	LJ5287001	1	PRESSURE ROLLER 25		
1-25	UL8920001	1	PAPER EJECT ACTUATOR		
1-26	UL8921001	1	EJECT ACTUATOR SPRING		
1-27	087312015	1	TAPTITE, CUP B M3X20		
1-28	UL8923001	1	FU DRIVE GEAR 20/38		
1-29	LM2047001	2	IDLE GEAR 13		chg
1-30	UL8910001	1	HR GEAR 34		add
1-31	LJ4118001	1	EJECT ROLLER ASSY		ADD
2	Z07200001	1	TAPTITE, PAN B M3X10		
3	LJ4740001	2	SHOULDER SCREW		
4	LJ8841001	1	JAM SENSOR PCB ASSY	B512096-1	
5	LJ4432001	1	TAPE 32X12		
6	085311015	1	SCREW,BIND B TITE 3X10		

MODEL HL-1230/1440/1450/1470N/1430/1435 84U-Z31/Z32/Z33/Z34/Z36-050/051



4. FIXING UNIT



MODEL HL-1230/1440/1450/1470N 84U-Z31/Z32/Z33/Z34-050

5-1. PAPER CASSETTE, LGL

REF.NO.	CODE	Q'TY	DESCRIPTION	REMARK
1	LE1162001	1	PAPER TRAY UNIT LGL (SP)	
1	LM2265001	1	PAPER TRAY LGL ASSY (SP) (HL1435 US DEMO & HL1430 US only)	add
1-1	LJ4537001	1	PRESSURE PLATE ASSY, LGL	
1-2	UL9077001	2	PRESSURE PLATE SPRING	
1-3	UL9078001	1	SIDE GUIDE L	
1-4	UL9079001	1	SIDE GUIDE R	
1-5	U73515001	2	TAPTITE, CUP B M2.6X5	
1-6	UL9080001	2	SIDE GUIDE RACK	
1-7	UL9081001	1	SIDE GUIDE GEAR	
1-8	UL9082001	1	FRICTION SPRING	
1-9	087310815	1	TAPTITE, CUP B M3X8	
1-10	UL9083001	1	REAR PAPER GUIDE	
1-11	UL9084001	1	SEPARATION PAD HOLDER ASSY	
1-12	UL9090001	1	SEPARATION PAD SPRING	
1-13	UL9091001	1	PAPER INDICATOR	
1-14	UL9092001	1	LOCK LEVER	
1-15	LJ4534001	1	PRESSURE ROLLER HOLDER ASSY	
<del>1-16</del>	<del>LJ4892004</del>	<del>4</del>	<del>PRESSURE ROLLER COLLAR 2 ASSY</del>	del
1-17	UL9095001	1	RELEASE LEVER EXTENSION SPRING	
1-18	LJ4197001	1	PAPER TRAY COVER	
1-19	087310815	1	TAPTITE CUP B M3X8	CHG
1-20	LJ4272001	1	TRAY COVER FILM	
1-21	LJ4221001	1	SCRATCH SPONGE HOLDER ASSY	
1-22	LJ4200001	2	SCRATCH SPONGE SPRING	
1-23	LJ4332001	1	TRAY FEED GUIDE ASSY	
1-24	LJ5260001	1	PRESSURE ROLLER COLLAR	add
1-25	LJ5261001	1	PRESSURE ROLLER SHAFT	add

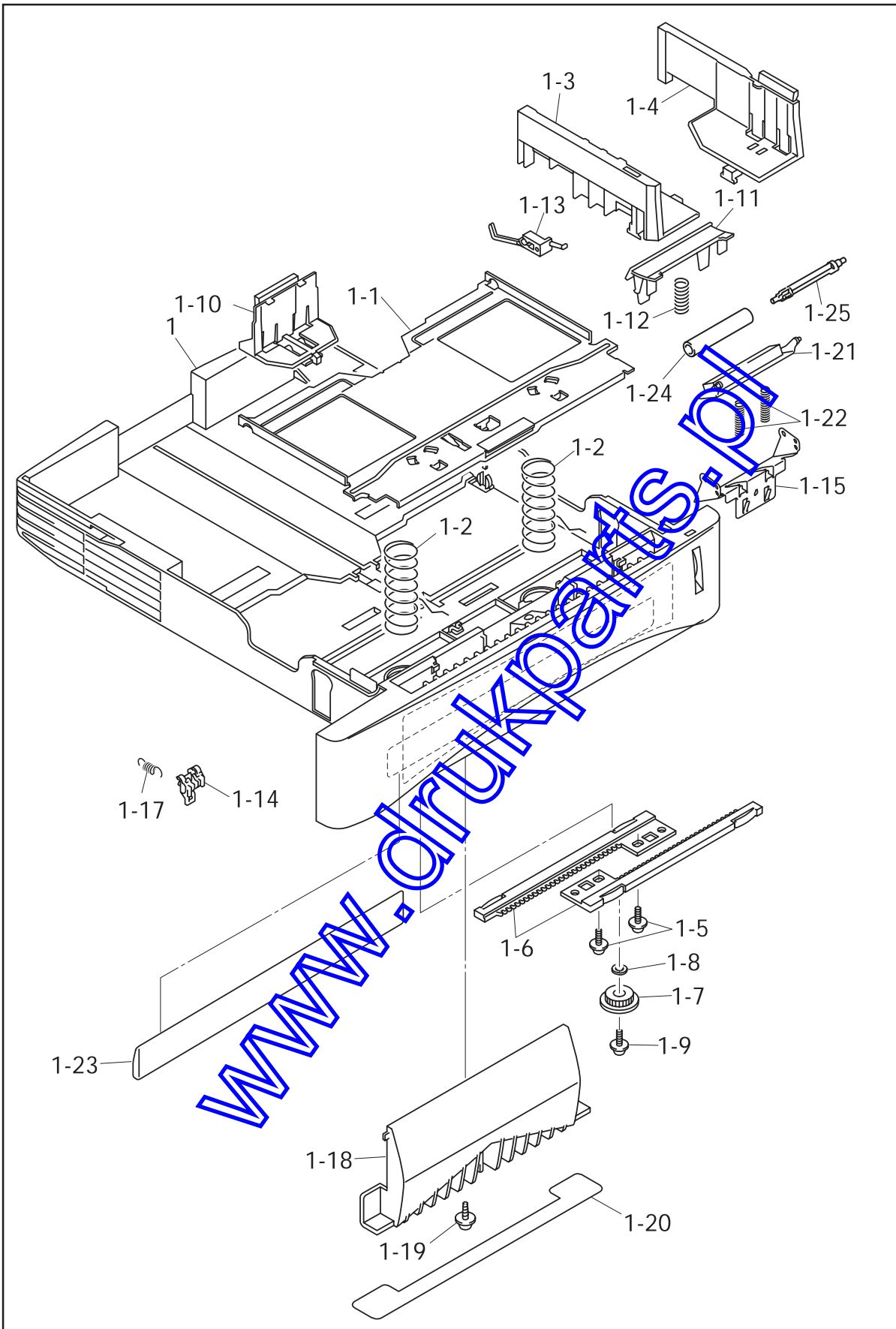
MODEL HL-1230/1440/1450/1470/1470N/1430/1435 84U-Z31/Z32/Z33/Z34/Z36-045/046

5-2. PAPER CASSETTE, A4

REF.NO.	CODE	Q'TY	DESCRIPTION	REMARK
1	LJ4181001	1	PAPER TRAY UNIT A1 (SP)	
1	LJ7174001	1	PAPER TRAY UNIT LEG (SP) (OEM)	
1-1	UL9074001	1	PRESSURE PLATE ASSY, A4	
1-2	UL9077001	2	PRESSURE PLATE SPRING	
1-3	UL9078001	1	SIDE GUIDE L	
1-4	UL9079001	1	SIDE GUIDE R	
1-5	U73515001	2	TAPTITE, CUP B M2.6X5	
1-6	UL9080001	2	SIDE GUIDE RACK	
1-7	UL9081001	1	SIDE GUIDE GEAR	
1-8	UL9082001	1	FRICTION SPRING	
1-9	087310815	1	TAPTITE, CUP B M3X8	
1-10	UL9083001	1	REAR PAPER GUIDE	
1-11	UL9084001	1	SEPARATION PAD HOLDER ASSY	
1-12	UL9090001	1	SEPARATION PAD SPRING	
1-12	LJ4622001	4	SEPARATION PAD SPRING 250 LEG (OEM)	
1-13	UL9091001	1	PAPER INDICATOR	
1-14	UL9092001	1	LOCK LEVER	
1-15	LJ4196001	1	PRESSURE ROLLER HOLDER	
<del>1-16</del>	<del>LJ4892004</del>	<del>4</del>	<del>PRESSURE ROLLER COLLAR 2 ASSY</del>	del
1-17	UL9095001	1	RELEASE LEVER EXTENSION SPRING	
1-18	LJ4197001	1	PAPER TRAY COVER	
1-19	087310815	1	TAPTITE CUP B M3X8	CHG
1-20	LJ4272001	1	TRAY COVER FILM	
1-21	LJ4221001	1	SCRATCH SPONGE HOLDER ASSY	
1-22	LJ4200001	2	SCRATCH SPONGE SPRING	
1-23	LJ4332001	1	TRAY FEED GUIDE ASSY	
1-24	LJ5260001	1	PRESSURE ROLLER COLLAR	add
1-25	LJ5261001	1	PRESSURE ROLLER SHAFT	add

MODEL HL-1230/1440/1450/1470/1470N/1430/1435 84U-Z31/Z32/Z33/Z34/Z36-045/046

5. PAPER CASSETTE

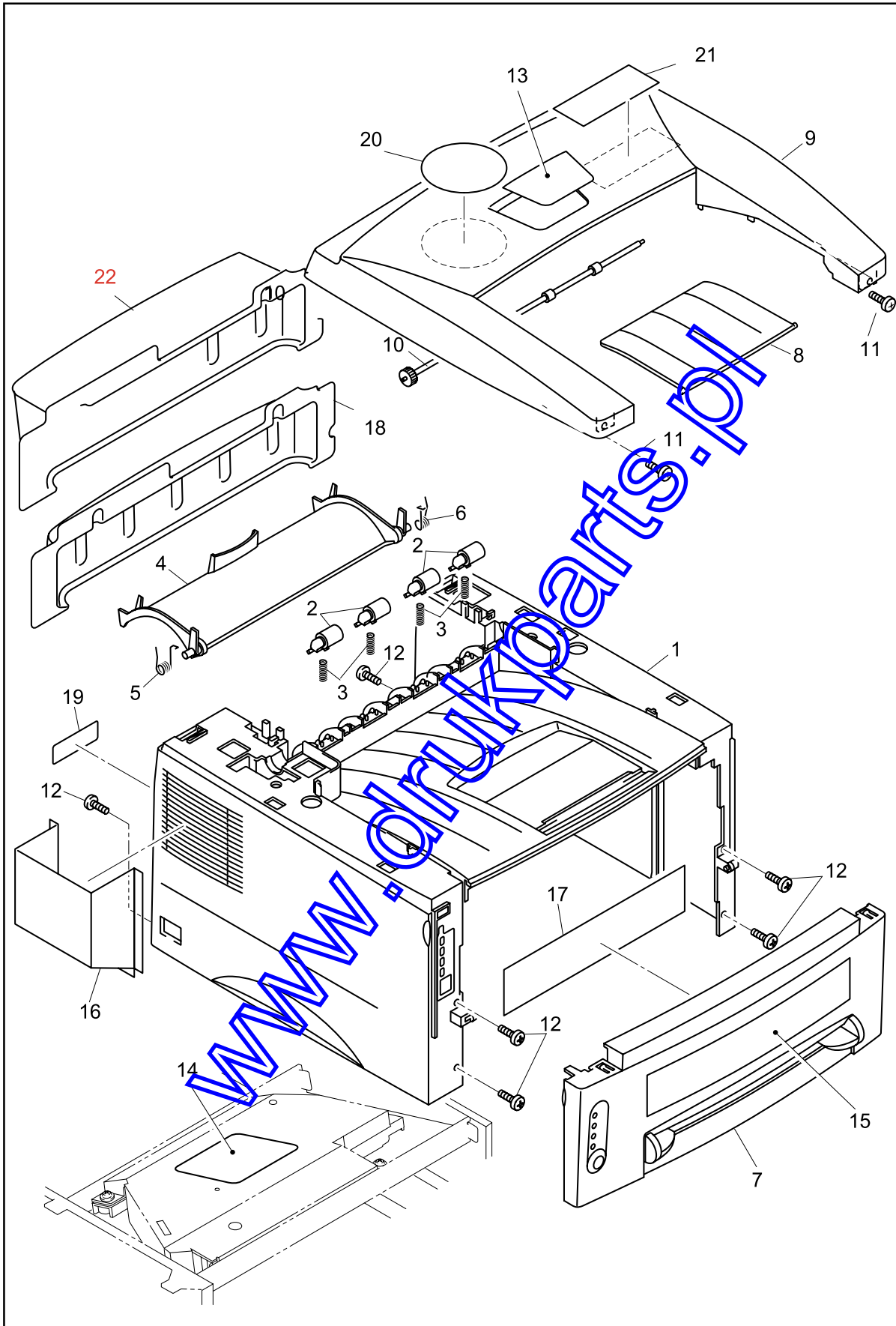


MODEL HL-1230/1440/1450/1470N 84U-Z31/Z32/Z33/Z34-045/047

6. COVERS / LABELS

REF.NO	CODE	Q'TY	DESCRIPTION	REMARK
1	LJ5751001	1	MAIN COVER ASSY ZLE	
1	LM2238003	1	MAIN COVER ASSY 1430 US (HL1435 US DEMO & HL1430 US only)	add
1-1	LJ7292001	1	HEAT PROTECTION FILM	
2	UL9122001	4	PINCH ROLLER ASSY	
3	UL9125001	4	PINCH ROLLER SPRING	
4	LJ5763001	1	REAR COVER	
4	LJ5763003	1	REAR COVER 1430 US (HL1435 US DEMO & HL1430 US only)	add
5	UL9127001	1	REAR COVER SPRING L	
6	UL9128001	1	REAR COVER SPRING R	
7	UL9129002	1	FRONT COVER ASSY	
7	LM2241003	1	FRONT COVER ASSY 1430 US (HL1435 US DEMO & HL1430 US only)	add
7	LJ7147001	1	FRONT COVER ASSY LEG (OEM)	
8	UL9140001	1	TRAY EXTENSION FLAP	
8	LM2234003	1	TRAY EXTENSION FLAP 1430 US (HL1435 US DEMO & HL1430 US only)	add
9	UL9088001	1	TOP COVER	
9	LM2235002	1	TOP COVER 1430 US (HL1435 US DEMO & HL1430 US only)	add
10	UL9142001	1	SECOND EJECT ROLLER ASSY	
11	087321015	2	TAPTITE, CUP S M3X10	
12	085320816	6	TAPTITE, BIND S M3X8	
13	LJ5727001	1	BROTHER EMBLEM 1230	
13	LM2394001	1	BROTHER EMBLEM 1440	CHG
13	LJ5714001	1	BROTHER EMBLEM 1450	
13	LJ5739001	1	BROTHER EMBLEM 1470N	
13	LM2392001	1	BROTHER EMBLEM 1430	CHG
13	LM2257001	1	BROTHER EMBLEM 1435 (Chile, Canada)	CHG
13	LM2257002	1	BROTHER EMBLEM 1435 (US)	CHG
13	LM2375001	1	LENOVO EMBLEM LJ2500 (OEM)	chg
13	LJ7142001	1	LEGEND EMBLEM LJ600 (OEM)	
14	UL6740001	1	LASER CAUTION LABEL EUR	
14	UL7931001	1	LASER LABEL LEGEND (OEM)	
15	LJ5728001	1	MYLAR LABEL 1230 CAN	
15	LJ5731001	1	MYLAR LABEL 1230 EUR	
15	LJ7741001	1	MYLAR LABEL 1230 US	add
15	LJ5671001	1	MYLAR LABEL 1440 US-A	
15	LJ5706001	1	MYLAR LABEL 1440 EUR	
15	LJ5715001	1	MYLAR LABEL 1450 US	
15	LJ5718001	1	MYLAR LABEL 1450 EUR	
15	LJ5740001	1	MYLAR LABEL 1470N US	
15	LJ5743001	1	MYLAR LABEL 1470N EUR	
15	LJ7397001	1	MYLAR LABEL 1435 US	del
15	LJ7732001	1	MYLAR LABEL 1435 CAN	del
16	LJ4905001	1	PAN GUARD	
17	LJ5669001	1	PROCESS UNIT OP LABEL E	
18	LJ4855001	1	TRAY REAR COVER ASSY	
19	UH0905001	1	PATENT LABEL (US)	
19	LJ4421001	1	MARKING LABEL N/S (Norway/Sweden)	
19	LJ4541001	1	HOT LINE LABEL (Swiss)	
19	UH3297001	1	C-TICK MARK (Australia)	
20	LJ5826001	1	MYLAR LABEL ZLE CAN-A	
20	LJ5671001	1	MYLAR LABEL ZLE US-A	
21	LJ5827001	1	MYLAR LABEL ZLE CAN-B	
21	LJ5672001	1	MYLAR LABEL ZLE US-B	
22	LJ5834001	1	TRAY REAR COVER LGL ASSY	

MODEL HL-1230/1440/1450/1470N/1430/1435 84U-Z31/Z32/Z33/Z34/Z36-060/061



MODEL HL-1230/1440/1450/1470N 84U-Z31/Z32/Z33/Z34-060

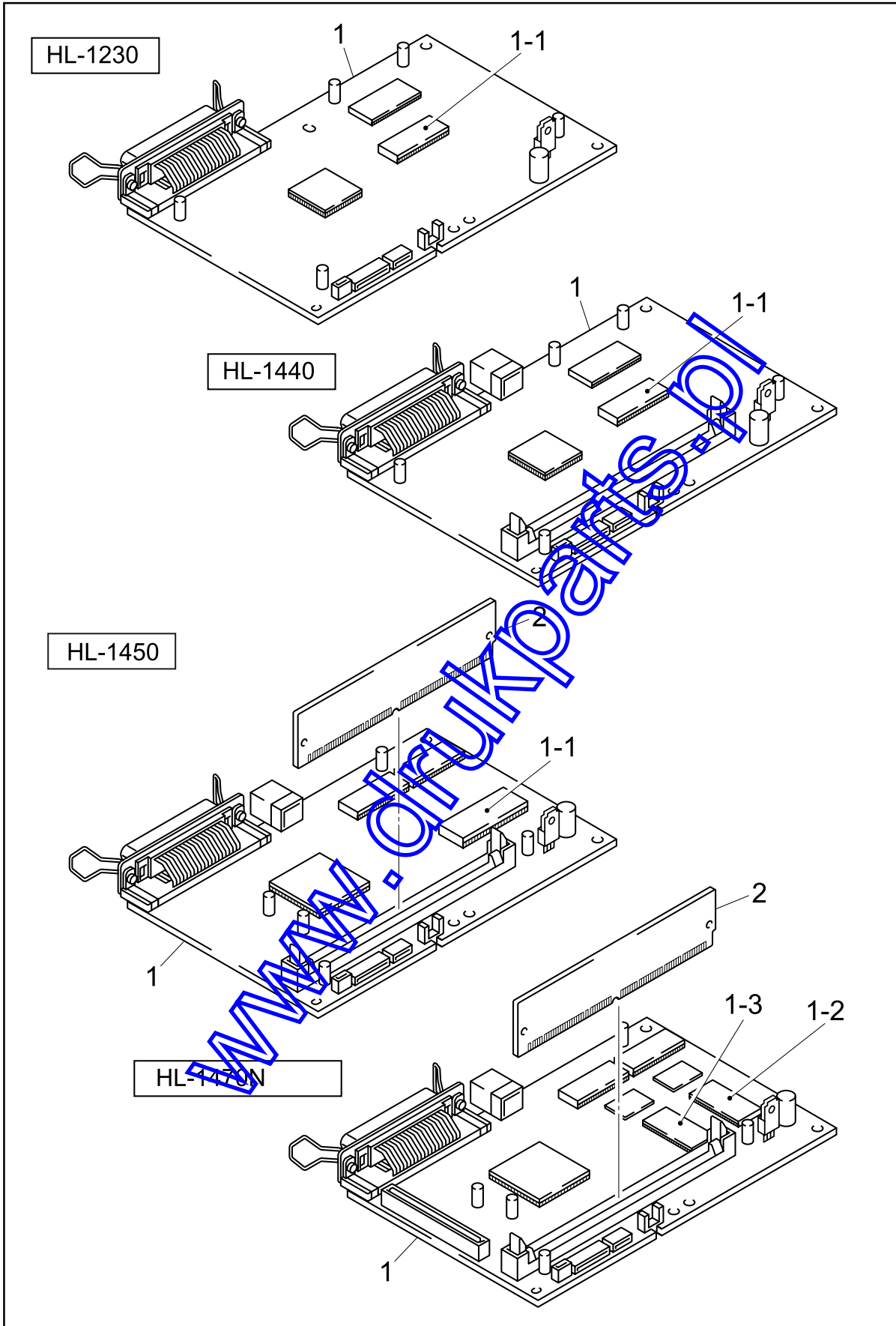
T/I NO. PR2002052

7. MAIN PCB

REF.NO.	CODE	Q'TY	DESCRIPTION	SYMBOL	REMARK
1	LJ8840001	1	MAIN PCB ASSY 1230 CAN	B512130-2	
1	LJ8840005	1	MAIN PCB ASSY 1230 EU	B512130-2	
1	LJ8811001	1	MAIN PCB ASSY 1440 US	B512130-2	chg
1	LJ9780001	1	MAIN PCB ASSY 1440 EU	B512130-2	CHG
1	LJ8880001	1	MAIN PCB ASSY 1440 HEB	B512130-2	
1	LJ8819001	1	MAIN PCB ASSY 1450 US	B512134-110F	chg
1	LJ8819005	1	MAIN PCB ASSY 1450 EU	B512134-117F	
1	LJ8819006	1	MAIN PCB ASSY 1450 DEN	B512134-118F	
1	LJ9080001	1	MAIN PCB ASSY 1450 ISR	111A	
1	LJ9081001	1	MAIN PCB ASSY 1470N US	150C	chg
1	LJ9081005	1	MAIN PCB ASSY 1470N EU	157C	
1	LJ9081006	1	MAIN PCB ASSY 1470N DEN	158C	
1	LJ9081008	1	MAIN PCB ASSY 1470N ISR	151C	
1	LJ8977001	1	MAIN PCB ASSY 1470 KOR	332C	
1	LJ9118001	1	MAIN PCB ASSY 1440 LEG (OEM)		
1	LJ9120001	1	MAIN PCB ASSY 1450 LEG (OEM)		
1	LJ9327001	1	MAIN PCB ASSY 1430		add
1	LJ9354001	1	MAIN PCB ASSY 1435 (for USA/Chile)		add
1	LJ9354009	1	MAIN PCB ASSY 1435 (for Canada)		add
1-1	LJ8874001	1	MASK ROM 1230/1440		
1-1	LJ8881001	1	MASK ROM 1440 HEB		
1-1	LJ8923001	1	MASK ROM 1450S		
1-1	LJ9101001	1	MASK ROM 1470S		
2	LJ8870001	1	SIMM 4M (1450/1470N)		
2	LJ9099001	1	SIMM 8M (for 1470 KOR)		

MODEL HL-1230/1440/1450/1470N/1430/1435 84U-Z31/Z32/Z33/Z34/Z36-101

7.MAIN PCB



MODEL HL-1230/1440/1450/1470N 84U-Z31/Z32/Z33/Z34-101/103

8. ENGINE PCB

REF.NO.	CODE	Q'TY	DESCRIPTION	SYMBOL	REMARK
1	LJ8804001	1	ENGINE PCB ASSY 1230/1440/1430/1435	B512136-1	
1	LJ8805001	1	ENGINE PCB ASSY 1450/1470N	B512136-1	

MODEL HL-1230/1440/1450/1470N/1430/1435 84U-Z31/Z32/Z33/Z34/Z36-151

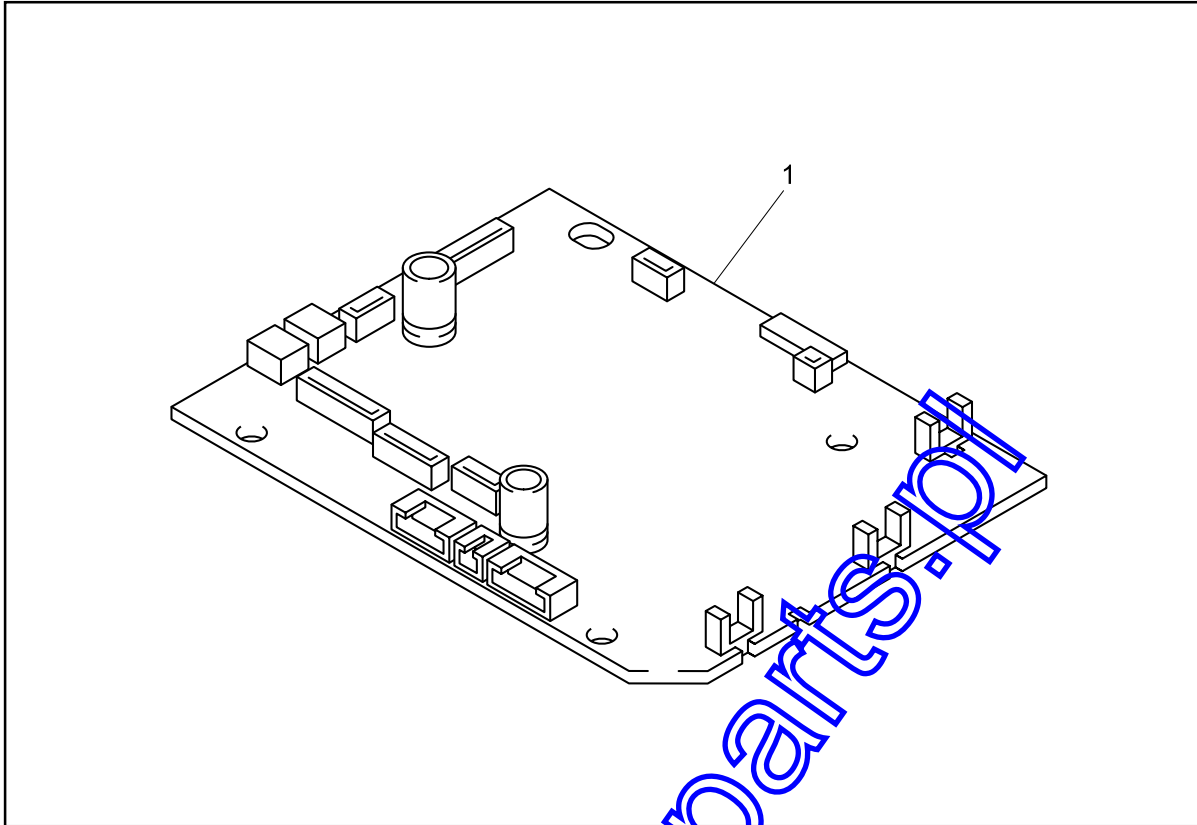
9. LOW-VOLTAGE POWER SUPPLY PCB

REF.NO.	CODE	Q'TY	DESCRIPTION	SYMBOL	REMARK
1	LJ9608001	1	PS PCB ASSY ZLE, 115V VA		chg
4	<del>LG4016001</del>	<del>1</del>	<del>PS PCB ASSY ZLE-B, 230V (for Australia)</del>		<del>DEL</del>
1	LJ9609001	1	PS PCB ASSY ZLE, 230V VA		add
2	UK4426001	1	INLET UNIT, 115V		
2	UK4430001	1	INLET UNIT, 230V		
3	085320816	1	TAPTITE, BIND S M3X8		
4	087320616	1	TAPTITE, CUP S M3X6		
5	LJ4756001	1	AC INLET FILM		
6	LJ8330001	1	PROTECTION TUBE		

MODEL HL-1230/1440/1450/1470N/1430/1435 84U-Z31/Z32/Z33/Z34/Z36-200/201

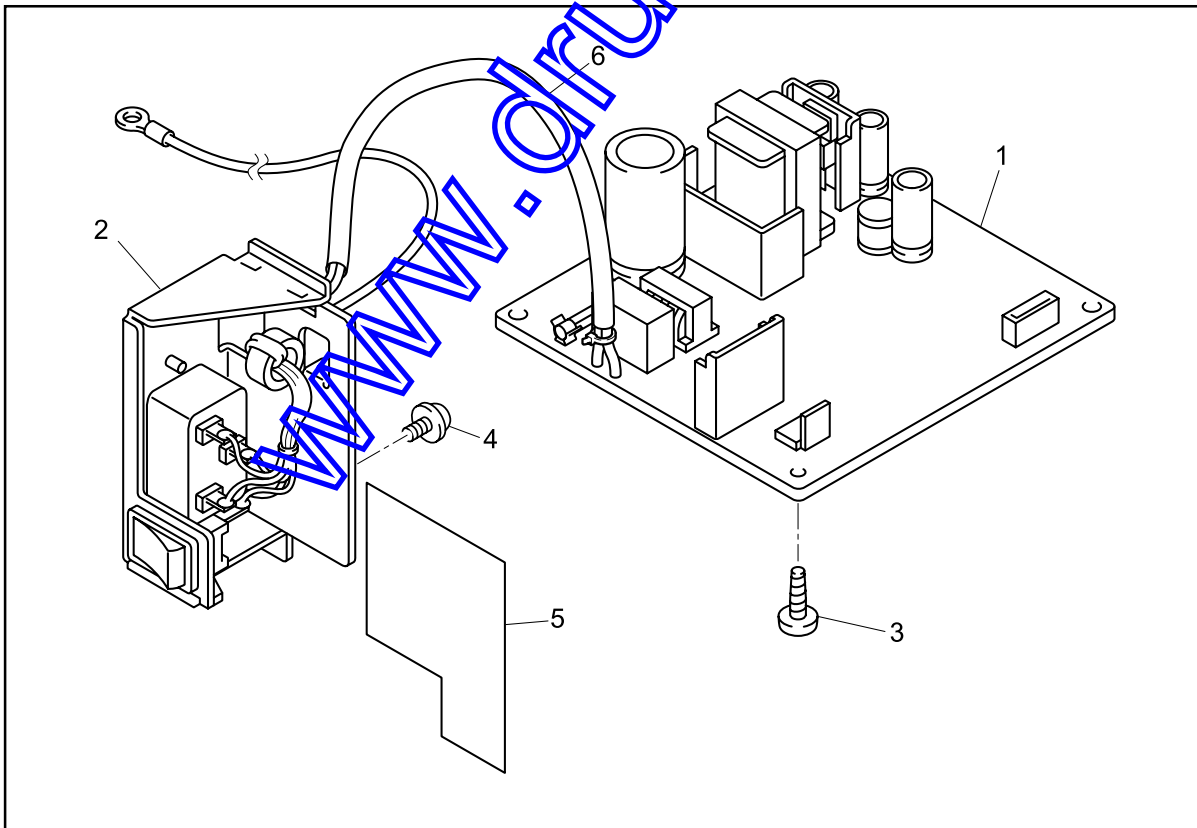


8. ENGINE PCB



MODEL HL-1230/1440/1450/1470N 84U-Z31/Z32/Z33/Z34-151

9. LOW-VOLTAGE POWER SUPPLY PCB



MODEL HL-1230/1440/1450/1470N 84U-Z31/Z32/Z33/Z34-200

10. HIGH-VOLTAGE POWER SUPPLY PCB

REF.NO.	CODE	Q'TY	DESCRIPTION	REMARK
4	LJ5831001	4	HIGH-VOLTAGE PS ASSY (SP) (for Australia)	del
1	LF2609001	1	HIGH-VOLTAGE PS ASSY VA (SP)	add
2	085411215	4	SCREW BIND B TITE M4X12	

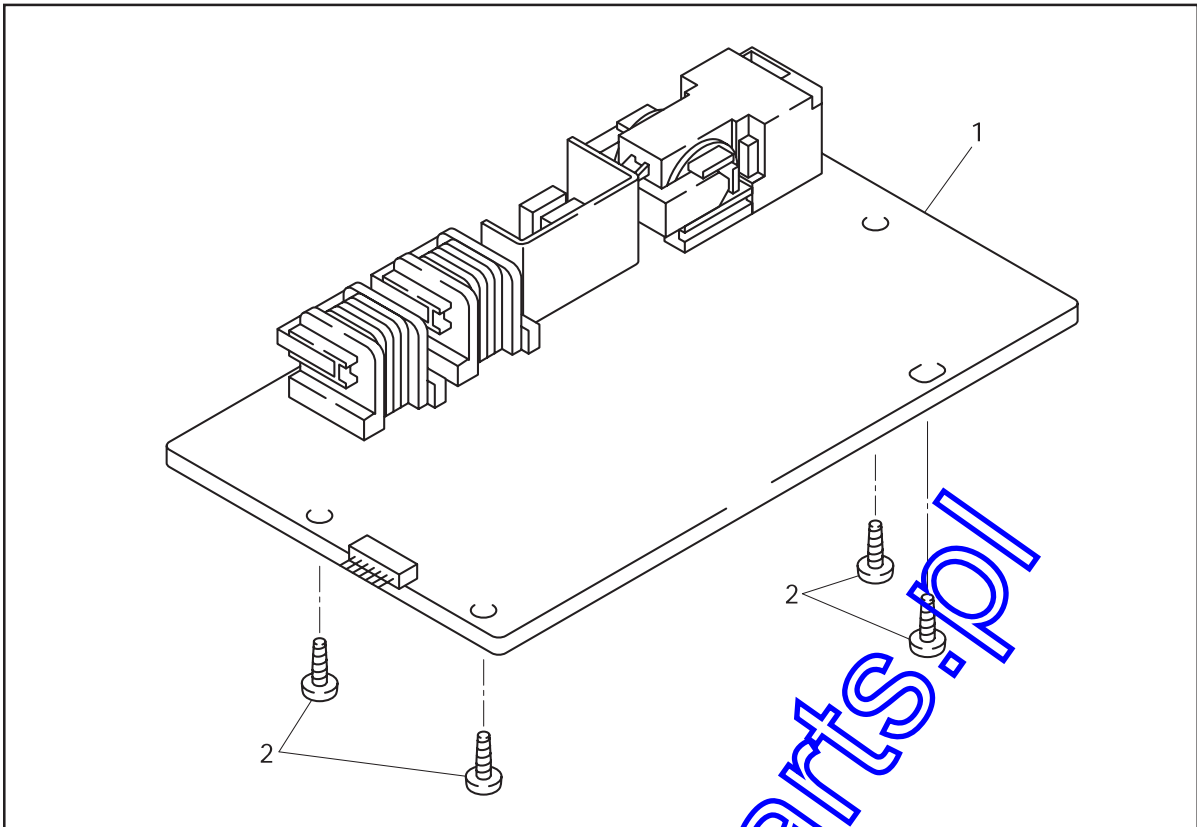
MODEL HL-1230/1440/1450/1470N/1430/1435 84U-Z31/Z32/Z33/Z34/Z36-220

11. AC CORDS

REF.NO.	CODE	Q'TY	DESCRIPTION	REMARK
1A	LJ8875001	1	AC CORD, UL/USA	
1B	LJ9666001	1	AC CORD LF, SPA	chg
1C	LJ8877001	1	AC CORD ASSY, SEV	
1D	LG3620001	1	AC CORD ARG	
1E	UH1054001	1	AC CORD, BS	
1F	U34322001	1	AC CORD #6 ISRAEL	
1G	UK4094001	1	AC CORD, DEMKO	
1H	UK4501001	1	AC CORD ASSY, VDE	
1I	LJ8288001	1	AC CORD ASSY, SOUTH AFRICA	
1J	LJ9347001	1	AC CORD ASSY, BRA	add
1K	LJ9921001	1	AC CORD ASSY LF, BS/PSB	CHG

MODEL HL-1230/1440/1450/1470N/1430/1435 84U-Z31/Z32/Z33/Z34/Z36-230

10. HIGH VOLTAGE POWER SUPPLY PCB



MODEL HL-1230/1440/1450/1470N 84U-Z31/Z32/Z33/Z34-220

11. AC CORD

1A		1G	
1B		1H	
1C		1I	
1D		1J	
1E		1K	
1F			

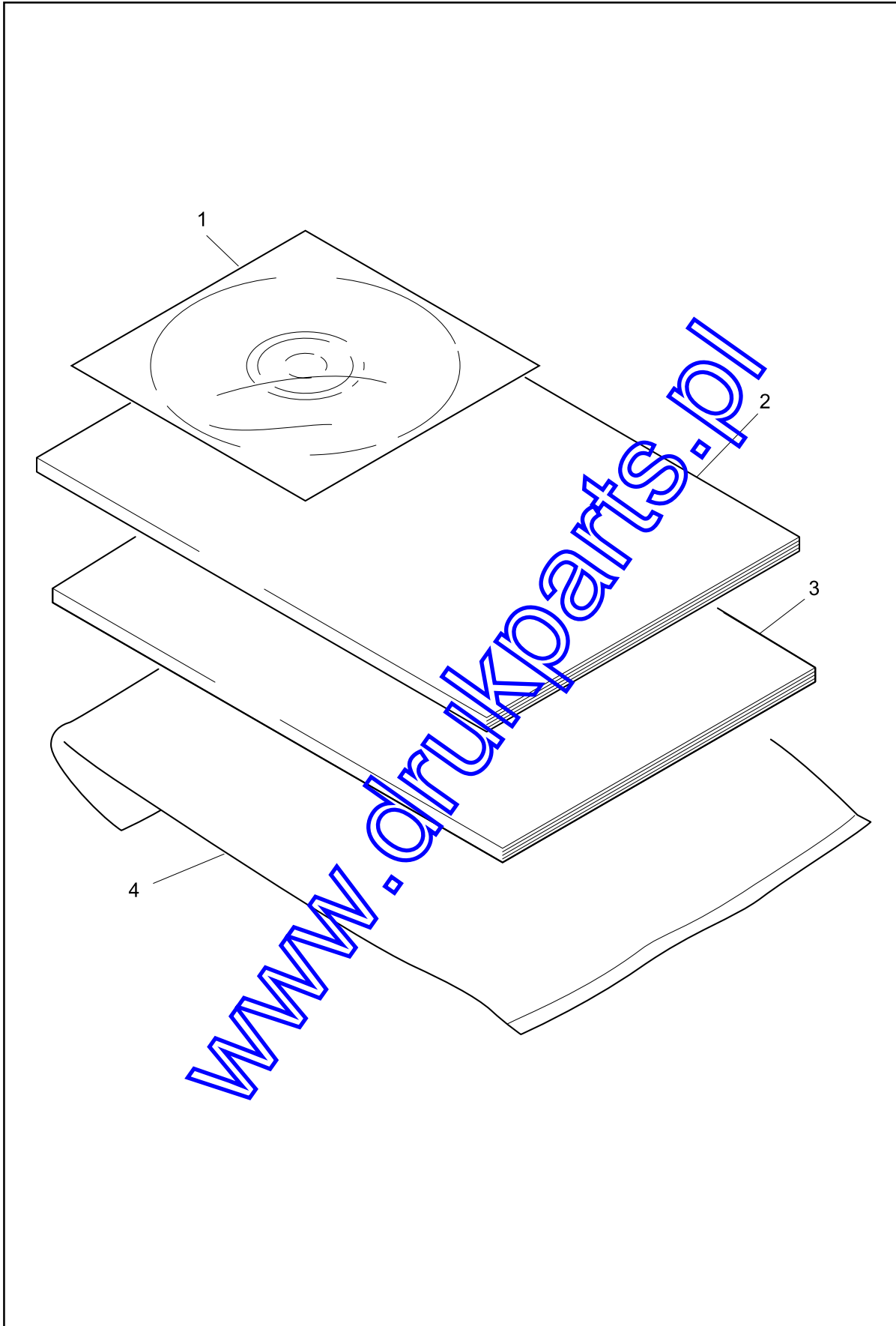
MODEL HL-1230/1440/1450/1470N 84U-Z31/Z32/Z33/Z34-230

12. ACCESSORIES

REF.NO.	CODE	Q'TY	DESCRIPTION	REMARK
1	LJ7018001	1	CD ASSY ZLE	
1	LM2377001	1	CD ASSY ZLE LEN (OEM)	chg
1	LJ5910001	1	CD ASSY ZLE KOR	
1	LJ7201001	1	CD ASSY 1430	add
1	LM2075001	1	CD ASSY 1435	add
1	LM2691001	1	CD ASSY 1430 EAST-EUR	ADD
2	LJ7105001	1	SET GUIDE ENG	
2	LJ7107001	1	SET GUIDE FRE	
2	LJ7106001	1	SET GUIDE GER	
2	LJ7111001	1	SET GUIDE NOR	
2	LJ7108001	1	SET GUIDE DUT	
2	LJ7113001	1	SET GUIDE DEN	
2	LJ7110001	1	SET GUIDE SPA	
2	LJ7109001	1	SET GUIDE ITA	
2	LJ7112001	1	SET GUIDE SWE	
2	LJ7114001	1	SET GUIDE POR	
2	LJ7116001	1	SET GUIDE FIN	
2	LM2383001	1	SET GUIDE ZLE LEN (OEM)	chg
2	LJ7226001	1	SET GUIDE 1430/1435 ENG	chg
2	LJ7388001	1	SET GUIDE 1430/1435 FRE	chg
2	LM2053001	1	SET GUIDE 1430 GER	add
2	LM2054001	1	SET GUIDE 1430 DUT	add
2	LM2055001	1	SET GUIDE 1430 ITA	add
2	LM2056001	1	SET GUIDE 1430/35 SPA	add
2	LM2057001	1	SET GUIDE 1430 NOR	add
2	LM2058001	1	SET GUIDE 1430 SWE	add
2	LM2059001	1	SET GUIDE 1430 DEN	add
2	LM2060001	1	SET GUIDE 1430 POR	add
2	LM2061001	1	SET GUIDE 1430 FIN	add
2	LM2618001	1	SET GUIDE 1430 POL	ADD
2	LM2643001	1	SET GUIDE 1430 HUN	ADD
2	LM2651001	1	SET GUIDE 1430 RUS	ADD
2	LM2653001	1	SET GUIDE 1430 CZE	ADD
3	LJ7117001	1	NETWORK SET GUIDE ENG	
3	LJ7119001	1	NETWORK SET GUIDE FRE	
3	LJ7118001	1	NETWORK SET GUIDE GER	
3	LJ7123001	1	NETWORK SET GUIDE NOR	
3	LJ7120001	1	NETWORK SET GUIDE DUT	
3	LJ7125001	1	NETWORK SET GUIDE DEN	
3	LJ7122001	1	NETWORK SET GUIDE SPA	
3	LJ7121001	1	NETWORK SET GUIDE ITA	
3	LJ7124001	1	NETWORK SET GUIDE SWE	
3	LJ7126001	1	NETWORK SET GUIDE POR	
4	LE5794001	1	BAG, 240x350H P	chg
5	LJ7133001	4	PR-DRIVER DISK ASSY W9X (OEM)	del
5	LJ7183001	4	PR-DRIVER DISK ASSY W9XUSB (OEM)	del
5	LJ7185001	4	PR-DRIVER DISK ASSY WNT (OEM)	del
5	LJ7187001	4	PR-DRIVER DISK ASSY W2K/XP (OEM)	del
6	LM2382001	1	USER'S MANUAL, ZLE LEN (OEM)	chg
7	UG4558001	1	I/F CABLE FE LGE (OEM)	

MODEL HL-1230/1440/1450/1470N/1430/1435 84U-Z31/Z32/Z33/Z34/Z36-920

12. ACCESSORIES



MODEL HL-1230/1440/1450/14700N 84U-Z31/Z32/Z33/Z34-920

13. PACKING MATERIALS

REF.NO.	CODE	Q'TY	DESCRIPTION	REMARK
1	LL0649001	1	CARTON, HL-1230 US/CAN	
1	LL0466001	1	CARTON, HL-1230 EUR	
1	LL0648001	1	CARTON, HL-1230 SGP	add
1	LL0649001	1	CARTON, HL-1230 US/CAN	add
1	LL0453001	1	CARTON, HL-1440 US	
1	LL0454001	1	CARTON, HL-1440 EUR	
1	LL0558001	1	CARTON, HL-1440 SGP	
1	LL0511001	1	CARTON, HL-1440 KOR	
1	LL0455001	1	CARTON, HL-1450 US	
1	LL0456001	1	CARTON, HL-1450 EUR	
1	LL0559001	1	CARTON, HL-1450 SGP	
1	LL0467001	1	CARTON, HL-1470N US	
1	LL0468001	1	CARTON, HL-1470N EUR	
1	LL0560001	1	CARTON, HL-1470N SGP	
1	LL0520001	1	CARTON, HL-1470 KOR	
1	LL0812001	1	CARTON, LJ2500 LEN (OEM)	CHG
1	LL0573001	1	CARTON, LJ2600 LEG (OEM)	
1	LL0557001	1	CARTON, HL-1435 (Canada, Chile)	chg
1	LL0764001	1	CARTON, HL-1435 (US)	add
1	LL0610001	1	CARTON, HL-1430 SPG/GULF	add
1	LL0613001	1	CARTON, HL-1430 EUR	chg
2	UE2280001	1	STYROFORM PAD ASSY, LGL	
2	LJ4038001	1	STYROFORM PAD ASSY, A4	
3	UE2283001	1	ACCESSORY CARTON	
4	LJ5584001	1	BAG, 700X800H	
5	LJ5557001	1	PROCESS BAG 400X480	

MODEL HL-1230/1440/1450/1470N/1430/1435 84U-Z34/Z32/Z33/Z34/Z36-930

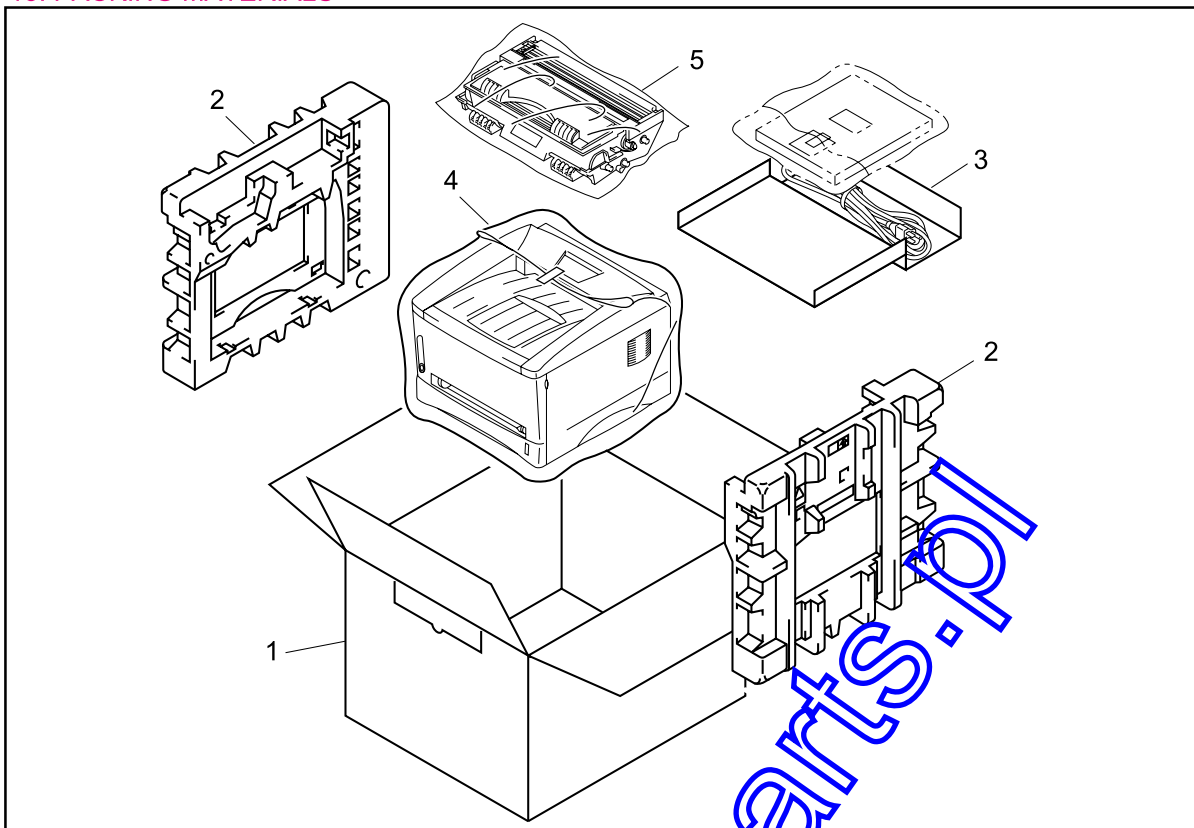
T/I NO. PR2002085 / PR2002096 /PR2002149/ PR2002153

14. NETWORK BOARD

REF.NO.	CODE	Q'TY	DESCRIPTION	SYMBOL	REMARK
1	LJ8059001	1	BRNET PCB UNIT		
1-1	087320616	2	TAPTITE, CUP 8MMx6		

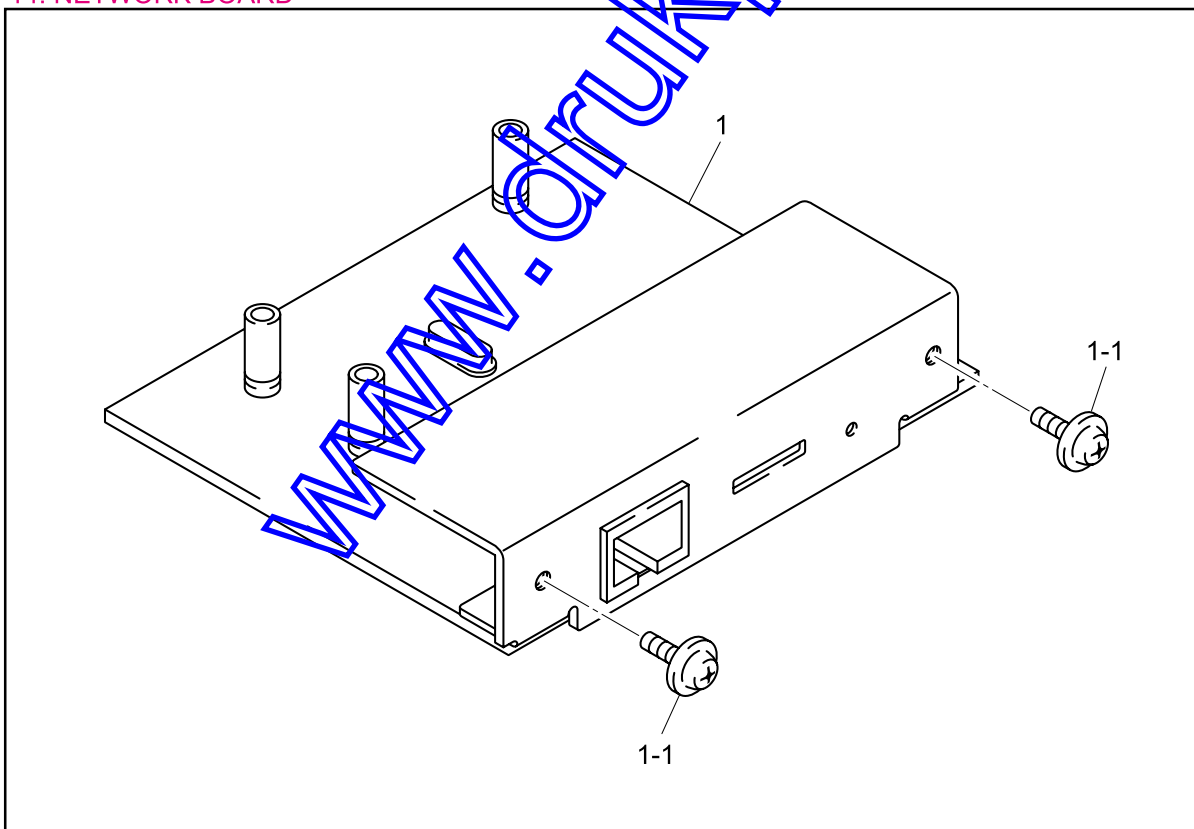
MODEL HL-1470N 84U-Z34-150

13. PACKING MATERIALS



MODEL HL-1230/1440/1450/1470N 84U-Z31/Z32/Z33/Z34-930

14. NETWORK BOARD



MODEL HL-1470N 84U-Z34-150