

brother®

LASER PRINTER

PARTS REFERENCE LIST

MODEL:HL-1070

www.drukparts.pl

MECHANISMS & ELECTRONICS

NOTE FOR USING THIS PARTS REFERENCE LIST

1. In the case of ordering parts, it needs mentioning the following items:

- (1) Code
- (2) Q'ty
- (3) Description
- (4) Symbol (PCB No., Revision , and Parts location mounted on the PCB.)

Note : No orders without Parts Code or Tool No. can be accepted.

< Example >

REF.NO.	CODE	Q'TY	DESCRIPTION	SYMBOL	REMARK

Revision No.: marked on the printed circuit board

B48K056 - 201A

..... Design change indication
 Specification No .
 Pattern alteration No.
 Circuit board No.

2. Design-changed parts :

If the parts are changed, any one of the following symbols is indicated in the REMARKS column.

- #A : compatible between old and new
- #B : replaceable from old to new
- #D : incompatible
- # : newly established

3. The original of this list was made based on the information available in April, 1998.

4. Parts are subject to change in design without prior notice.

CONTENTS

1. DRIVE UNIT	1
2. SCANNER UNIT	1
3. MP SHEET FEEDER.....	3
4. PAPER FEED UNIT.....	3
5. FIXING UNIT	5
6. COVERS	7
7. MAIN PCB	5
8. DRIVER PCB.....	10
9. POWER SUPPLY PCB.....	10
10. HIGH VOLTAGE POWER SUPPLY	12
11. AC CORD	12
12. ACCESSORIES.....	14
13. PACKING MATERIALS	14

www.drukparts.pl

1. DRIVE UNIT

REF.NO.	CODE	Q'TY	DESCRIPTION	REMARK
1	UH3302001	1	DRIVE UNIT Y (SP)	
2	UH3031000	1	REGIST SOLENOID LEVER	
3	UH3032001	1	REGIST SOLENOID	
4	UH3033001	1	REGIST SOLENOID SPRING	
5	060300605	4	SCREW, BIND M3X6	
6	060300605	4	SCREW, BIND M3X6	
7	UH3036001	1	MAIN MOTOR ASSY	
8	085320516	4	TAPTITE, BIND S M3X5	
9	UH3037000	2	GROUND PLATE SPRING	
10	UH3038000	1	STATIC REMOVAL PLATE SPRING	
11	UK3584001	1	MAIN MOTOR HARNESS ASSY	
12	UH3040000	1	HEATER HARNESS HOOK	
13	087411215	6	TAPTITE, CUP B M4X12	
14	UH3046000	2	PLATE SPRING FILM	
15	UH3047000	2	PLATE SPRING CAP	
16	0A2300605	2	SCREW, PAN (WASHER) M3X6B	

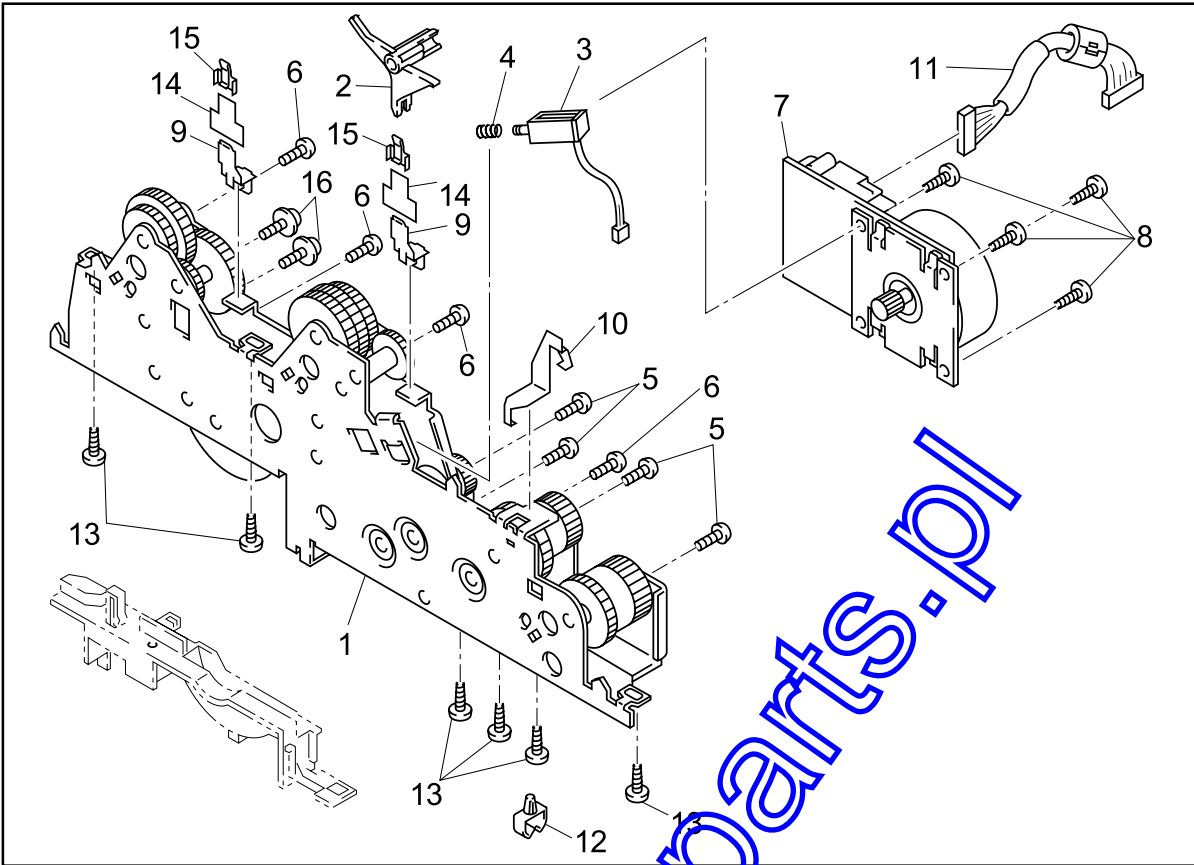
MODEL HL-1070 54U-S03-010

2. SCANNER UNIT

REF.NO.	CODE	Q'TY	DESCRIPTION	SYMBOL	REMARK
1-2	UH3301001	1	SCANNER UNIT Y (SP)	(B48K226)	
1	UL6614001	1	S SHEET 1		
2	UL6615001	1	S SHEET 2		
3	UK4221001	1	TONER SENSOR PCB ASSY F	B53K268	
4	087310815	2	TAPTITE, CUP B M3X8		
5	UK3588001	1	TONER SENSOR HARNESS ASSY		
6	085411215	3	TAPTITE, BIND B M4X12		
7	UL6740001	1	LASER CAUTION LABEL (EUR)		
8	UL6741001	1	TONER CAUTION LABEL		

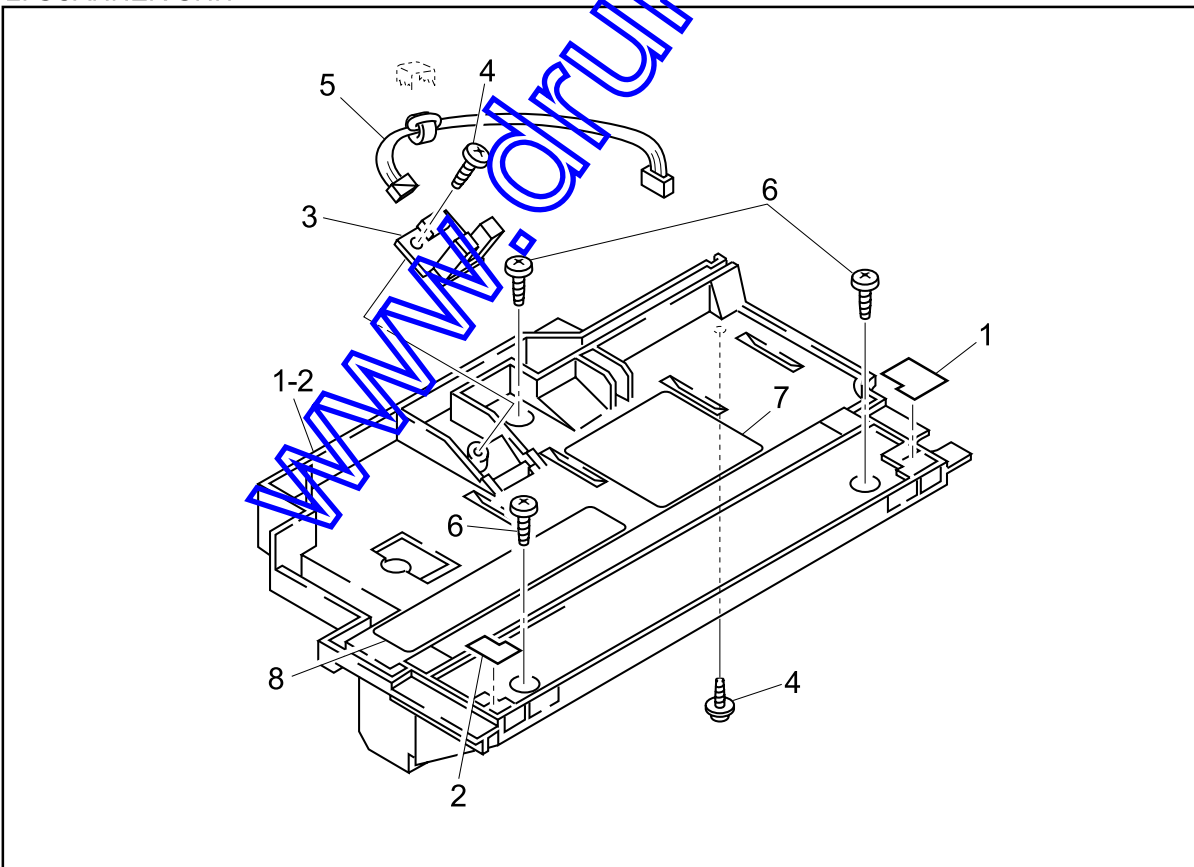
MODEL HL-1070 54U-S03-020

1. DRIVE UNIT



MODEL HL-1070 54U-S03-010

2. SCANNER UNIT



MODEL HL-1070 54U-S03-020

3. MP SHEET FEEDER

REF.NO.	CODE	Q'TY	DESCRIPTION	REMARK
1	UH3303001	1	MP SHEET FEEDER 1 ASSY Y (SP)	
1-1	UH3314001	1	MP FEEDER 1 COVER ASSY HY (SP)	
1-2	UH3078001	1	PICK-UP ROLLER COVER 1, GRAY1227	
1-3	UH3074001	1	P PICK-UP ROLLER SHAFT ASSY Y	
1-4	UH3077001	1	REGIST SENSOR ACTUATOR 1Y	
1-5	UD4742001	1	REGIST SENSOR ACTUATOR FILM	
2	UH3304001	1	MP SHEET FEEDER 2 ASSY Y (SP)	
2-1	UD4344001	1	MP FEEDER 2 COVER HY	
2-2	UH3104001	1	PICK-UP ROLLER COVER 2, GRAY1227	
2-3	UH3074001	1	P PICK-UP ROLLER SHAFT ASSY Y	

MODEL HL-1070 54U-S03-043/041

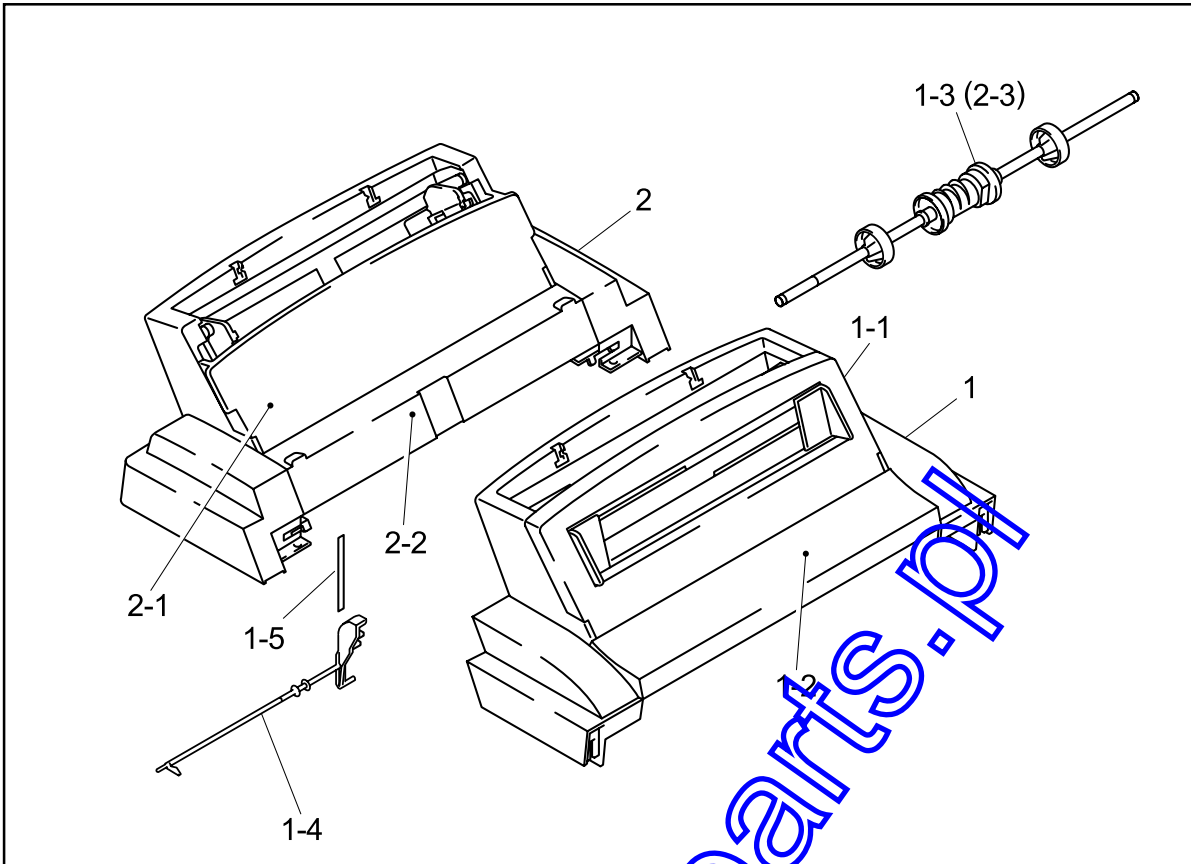
T/I NO. PR98062

4. PAPER FEEDER UNIT

REF.NO.	CODE	Q'TY	DESCRIPTION	REMARK
1-10	UH3305001	1	PAPER FEED UNIT Y (SP)	
1	UH3154001	1	REGIST SENSOR ACTUATOR 2 YL	
2	UH3140001	1	REGIST SENSOR LINK, BLACK	
3	UH3141001	1	SPRING, EXTENSION	
4	UL6933001	1	PAPER DUST REMOVING BRUSH S	
5	UH3145000	2	PAPER PICK-UP SOLENOID LEVER	
6	087270815	2	TAPTITE, CUP B M2.6X8	
7	UH3146001	1	PAPER PICK-UP SOLENOID ASSY 1	
8	UH3147001	1	PAPER PICK-UP SOLENOID ASSY 2	
9	087310815	2	TAPTITE, CUP B M3X8	
10	085411416	4	TAPTITE, BIND B M4X14	
11	085411216	2	TAPTITE, BIND B M4X12	

MODEL HL-1070 54U-S03-042

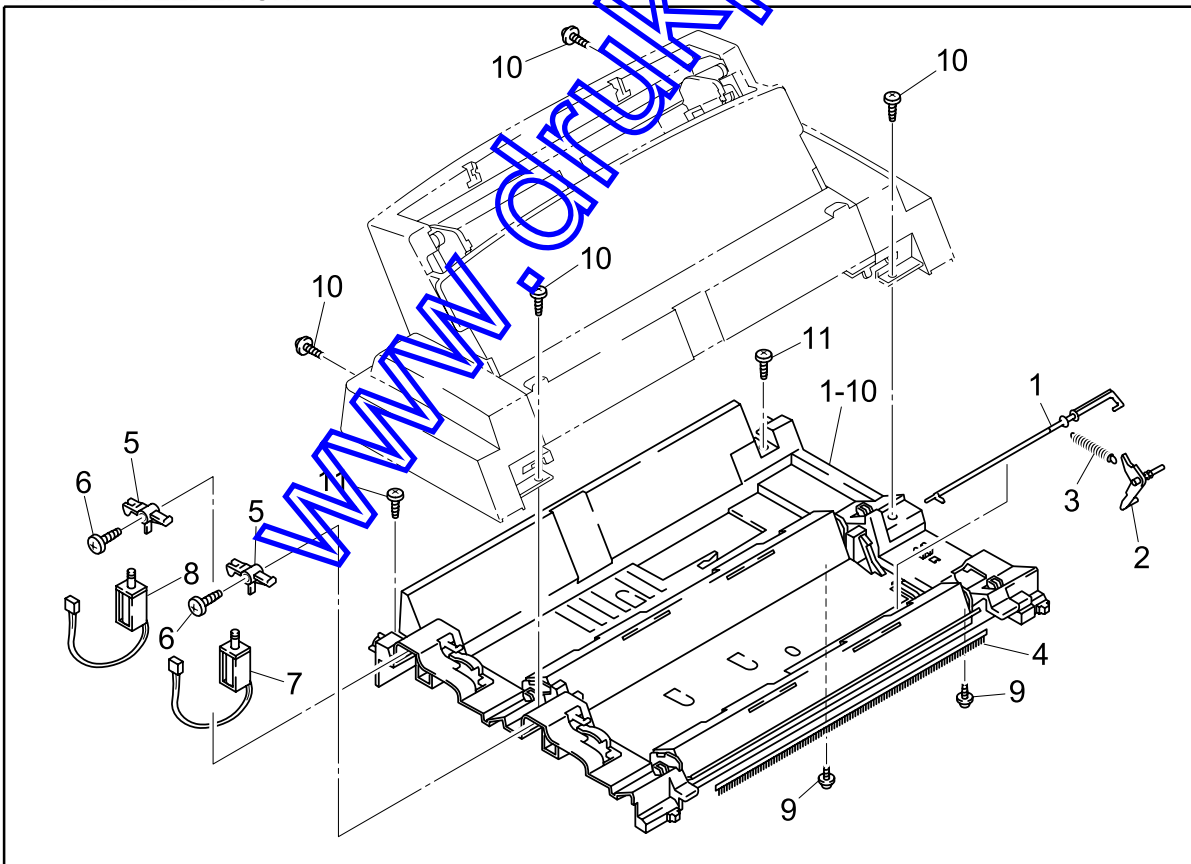
3. MP SHEET FEEDER



T/I NO. PR98062

MODEL HL-1070 54U-S03-040/041

4. PAPER FEEDER UNIT



MODEL HL-1070 54U-S03-042

5. FIXING UNITS

REF.NO.	CODE	Q'TY	DESCRIPTION	REMARK
1-9	UH3164001	1	FIXING UNIT Y, 120V (SP)	
1-9	UH3165001	1	FIXING UNIT Y, 230V (SP)	
1	UH3306001	1	HALOGEN LAMP Y, 120V (SP)	
1	UH3307001	1	HALOGEN LAMP Y, 230V (SP)	
2	087411616	2	TAPTITE, CUP B M4X16	
3	UL6667001	1	THERMISTOR ASSY	
4	UH3188001	1	CLEANER ASSY Y	
5	UH3178000	2	H/R BEARING Y	
6	UH3419001	1	HEAT ROLLER YS ASSY (SP)	
7	087311415	1	TAPTITE, CUP B 3X14	
8	UH3323001	4	EJECT PINCH ROLLER ASSY	
9	UL6682001	4	PINCH SPRING	

MODEL HL-1070 54U-S03-050/051

T/I NO. PR98292 / PR99042

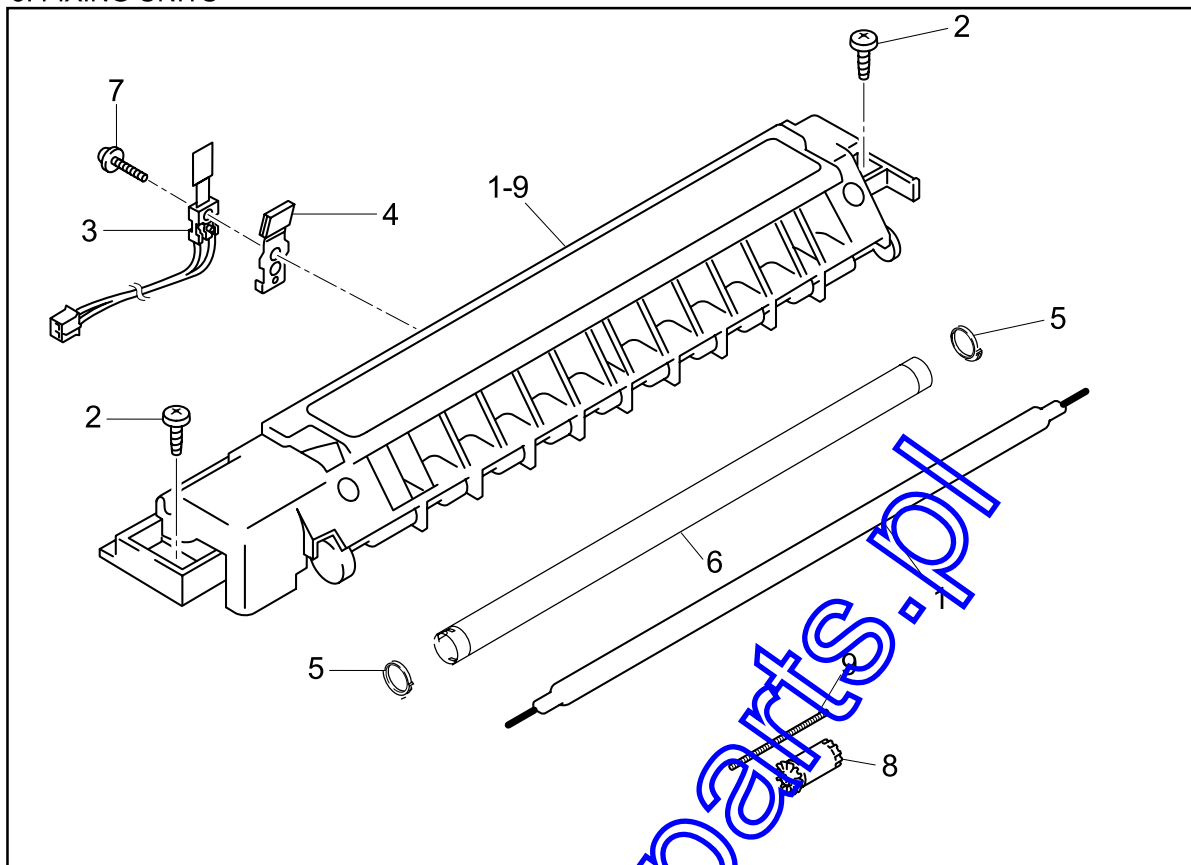
7. MAIN PCB

REF.NO.	CODE	Q'TY	DESCRIPTION	SYMBOL	REMARK
1	UK3950001	1	MAIN PCB ASSY	B48K302-100C	
2	UH3542001	1	CONDUCTIVE TAPE		

MODEL HL-1070 54U-S03-101

T/I NO. PR98108

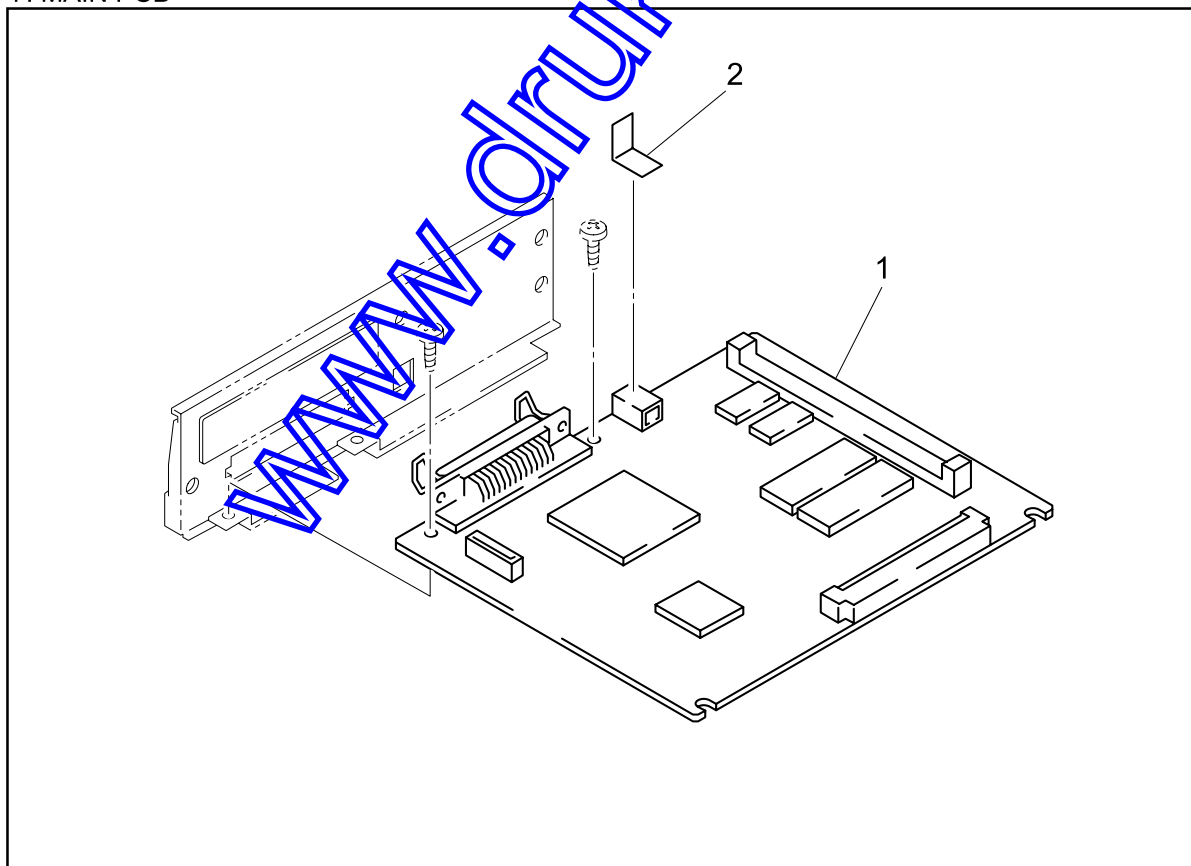
5. FIXING UNITS



T/I NO. PR98292

MODEL HL-1070 54U-S03-050/051

7. MAIN PCB



MODEL HL-1070 54U-S03-101

6. COVERS

REF.NO.	CODE	Q'TY	DESCRIPTION	SYMBOL	REMARK
1	087310815	1	TAPTITE, CUP B M3X8		
2	087310815	1	TAPTITE, CUP B M3X8		
3	087310815	2	TAPTITE, CUP B M3X8		
4	087310815	2	TAPTITE, CUP B M3X8		
5	UL6721000	1	LOCK LEVER		
6	UL6722001	1	SPRING, COMPRESSION		
7	UH3244001	1	SPRING, PR LOCK Y		
8	UH3207001	1	PAPER EJECT ACTUATOR, BLACK		
9	UH3208000	1	SENSOR LEVER		
10	UH3245001	1	SPRING, LEVER		
11	UK3432001	1	EL PCB UNIT Y	B48K228	
12	UH3245001	1	SPRING, LEVER		
13	UH3242001	1	INTERLOCK LEVER		
14	UK3632001	1	RELAY PCB ASSY	B48K287	
15	UK4214001	1	RELAY HARNESS ASSY		
16	UK3633001	1	TRANSFER PCB ASSY	B48K283	
18	UH3210001	1	FAN MOTOR 80		
19	UH3211000	1	FAN HOLDER		
20	083313515	2	TAPTITE, PAN B M3X35		
21	085411215	1	TAPTITE, BIND B M4X12		
22	UK3631001	1	CONTROL PANEL PCB ASSY	B48K281	
23	UK3586001	1	SW PANEL HARNESS ASSY		
24	UH3212001	1	REGIST SENSOR ACTUATOR, BODY BLACK		
25	UH3237001	1	REGIST SENSOR SPRING		
26	UH3213000	1	GEAR COVER		
27	087310815	4	TAPTITE, CUP B M3X8		
28	UH3215001	1	DENSITY DIAL Y, GRAY1252		
29	UH3216000	1	BASE PLATE		
30	UH2208001	4	RUBBER FOOT		
31	085411215	1	TAPTITE, BIND B M4X12		
32	085411215	1	TAPTITE, BIND B M4X12		
33	085411215	1	TAPTITE, BIND B M4X12		
34	085411215	5	TAPTITE, BIND B M4X12		
35	0A5350605	1	SCREW, PAN (SP WASHER) M3.5X6		
36	087320616	4	TAPTITE, CUP S M3X6		
37	UF3043001	1	TAPTITE, PAN (WASHER) 3X6DB		
38-38	UH3651001	1	I/F SHIELD ASSY		
38	002300616	2	SCREW, PAN M3X6		
39	087320616	2	TAPTITE, CUP S M3X6		
40	002400616	4	SCREW, PAN M4X6		
41	UH3219001	1	TOP COVER		
42	UH3313001	1	OUTPUT TRAY ASSY (SP)		
43	UH3401000	1	EXTENSION SUPPORT WIRE LTR		
43	UH3250000	1	EXTENSION SUPPORT WIRE A4		
44	UH3654001	1	MODEL PLATE, HL-1070		
45	UH0905001	1	PATENT LABEL, US/CSA		
47	UH3659001	1	MYLAR LABEL, HL-1070 US		
47	UH3660001	1	MYLAR LABEL, HL-1070 CAN		
47	UH3536001	1	MYLAR LABEL, HL-1070 EUR		
48	UH3225001	2	PAPER SETTING LABEL Y		
49	UH3227001	1	PANEL COVER, GRAY1227		
50	UH3228000	1	PANEL RIGHT GUIDE Y		

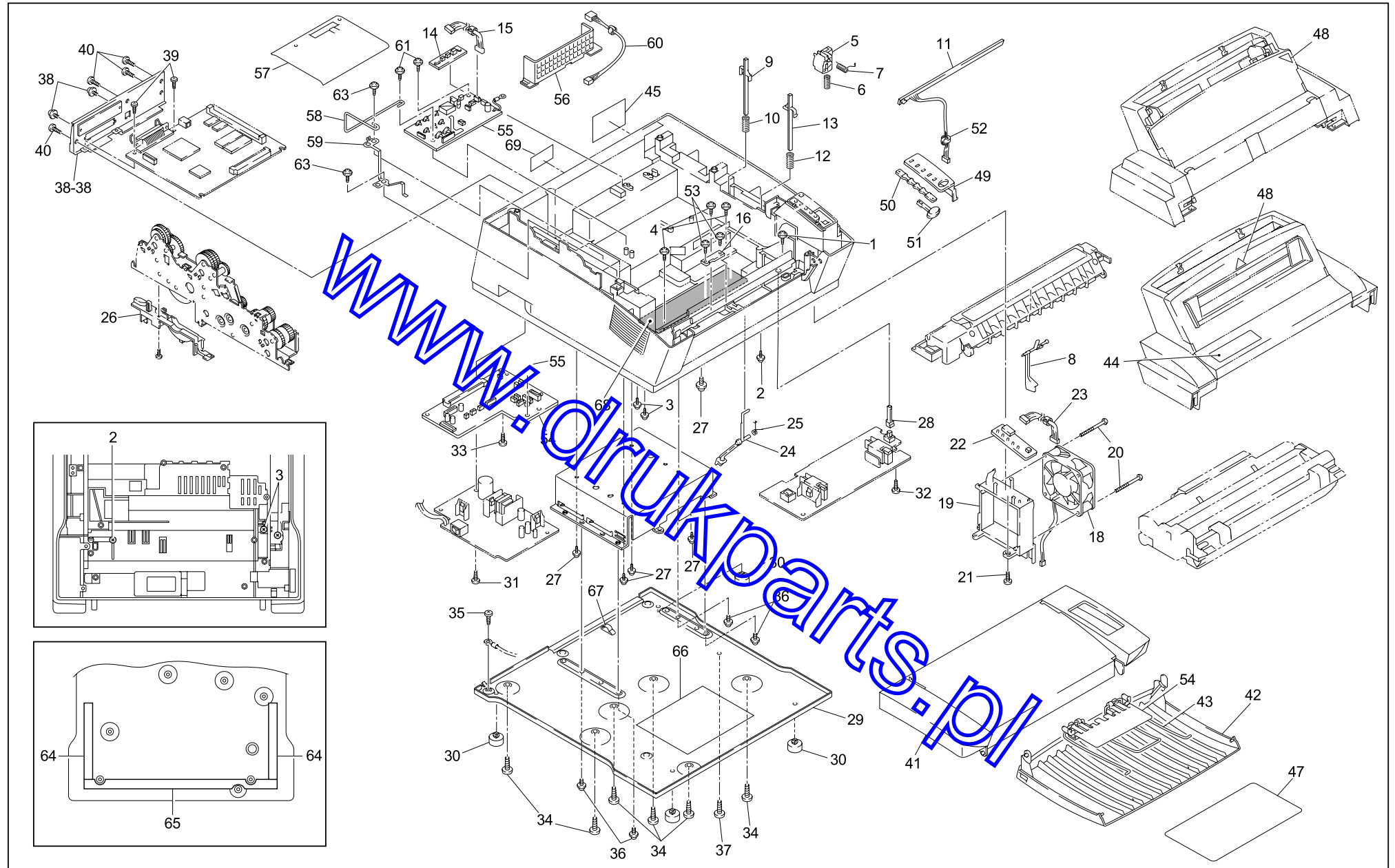
MODEL HL-1070 54U-S03-060

REF.NO.	CODE	Q'TY	DESCRIPTION	SYMBOL	REMARK
51	UH3229001	1	SWITCH KEY		
52	UG3005000	1	FERRITE CORE:16X8X10		
53	087311216	2	TAPTITE, CUP B M3X12		
54	UH3249001	1	PAPER STOPPER LTR		
54	UH3248001	1	PAPER STOPPER A4		
55	UK3608001	1	SR PCB ASSY (SP)		
56	UH3370001	1	HIGH-VALTAGE COVER		
57	UH3371000	1	SR PROTECT SHEET		
58	UH3368001	1	ELECTRODE SR1		
59	UH3369001	1	ELECTRODE SR2		
60	UK3624001	1	SR HARNESS ASSY		
61	087411415	2	TAPTITE, CUP B M4X14		
63	087310815	2	TAPTITE, CUP B M3X8		
64	UH3405001	2	SOUNDPROOF SPONGE A		
65	UH3406001	1	SOUNDPROOF SPONGE B		
66	UH3412001	1	DAMPING MATERIAL		
67	UH3372000	1	SHIELD FINGER		
68	UH3064001	1	S SEAL SPONGE		
69	UH3297001	1	C-TICK MARK		

www.drukparts.pl

MODEL HL-1070 54U-S03-060

6. COVERS



MODEL HL-1070 54U-S03-060

8. DRIVER PCB

REF.NO.	CODE	Q'TY	DESCRIPTION	SYMBOL	REMARK
1	UK3440001	1	DRIVER PCB ASSY (SP)	B48K280	

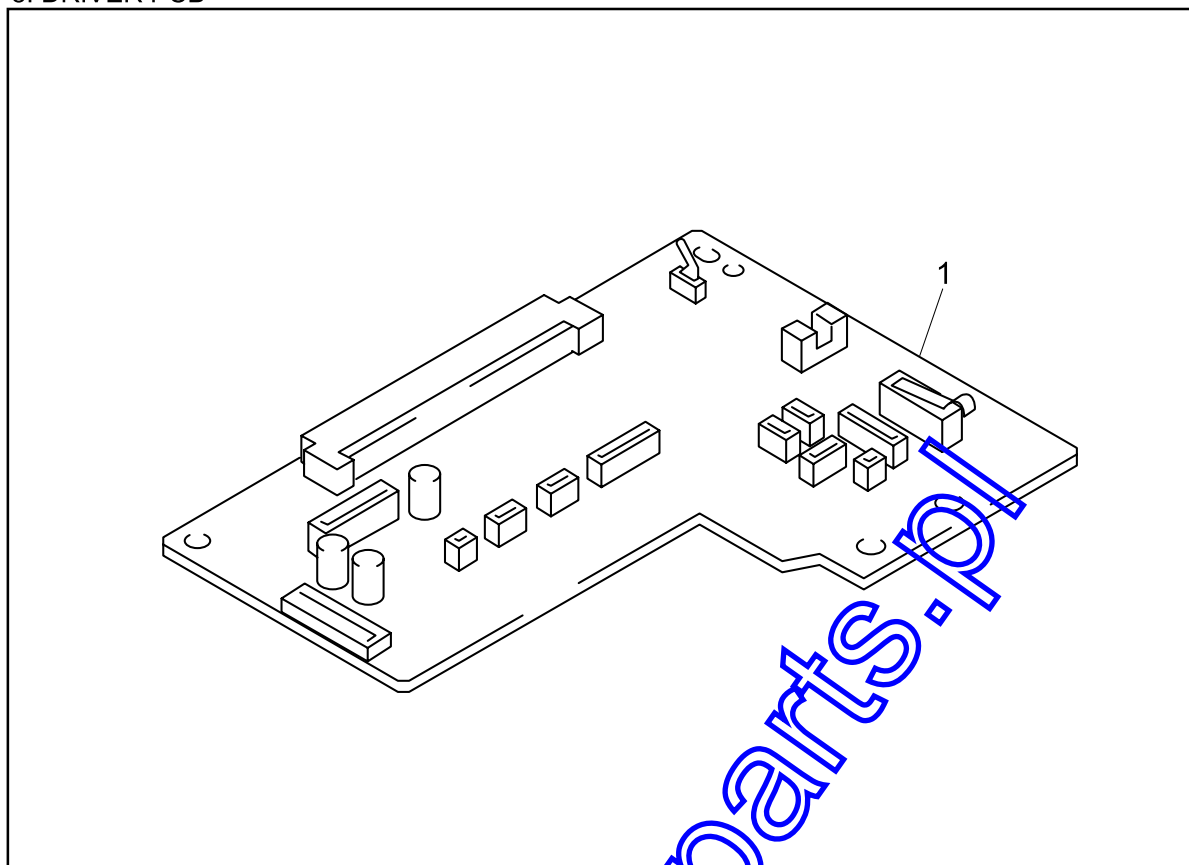
MODEL HL-1070 54U-S03-151

9. POWER SUPLY PCB

REF.NO.	CODE	Q'TY	DESCRIPTION	SYMBOL	REMARK
1	UK3441001	1	LOW-VOLTAGE PS ASSY, 15V (SP)	REV.B	
1	UK3442001	1	LOW-VOLTAGE PS ASSY, 230V (SP)	REV.B	
2	UK3585001	1	LV HARNESS ASSY		
3	UK3461001	1	HEATER HARNESS ASSY		

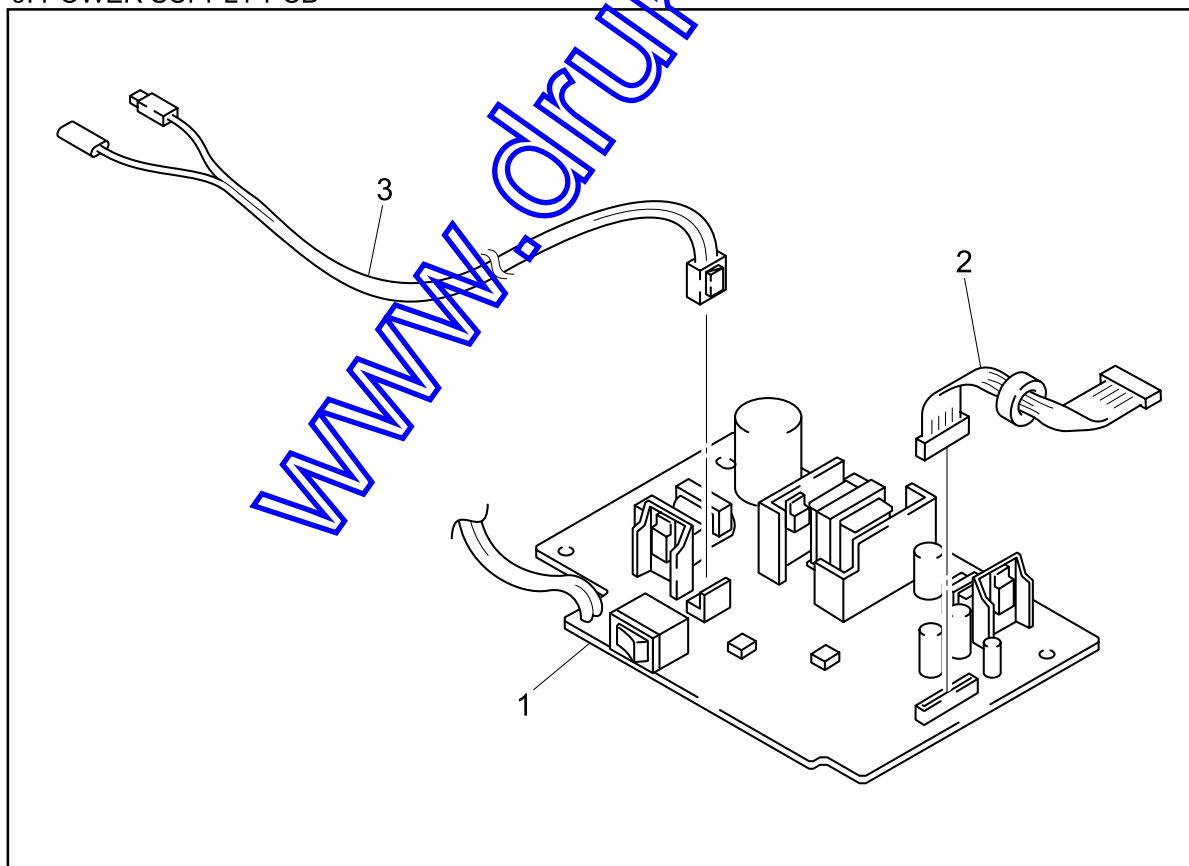
MODEL HL-1070 54U-S03-200/201

8. DRIVER PCB



MODEL HL-1070 54U-S03-15

9. POWER SUPPLY PCB



MODEL HL-1070 54U-S03-200/201

10. HIGH VOLTAGE POWER SUPPLY

REF.NO.	CODE	Q'TY	DESCRIPTION	SYMBOL	REMARK
1	UK3443001	1	HIGH-VOLTAGE PS ASSY (SP)	REV.D	
2	UK3433001	1	HV FLAT CABLE 11		

MODEL HL-1070 54U-S03-220

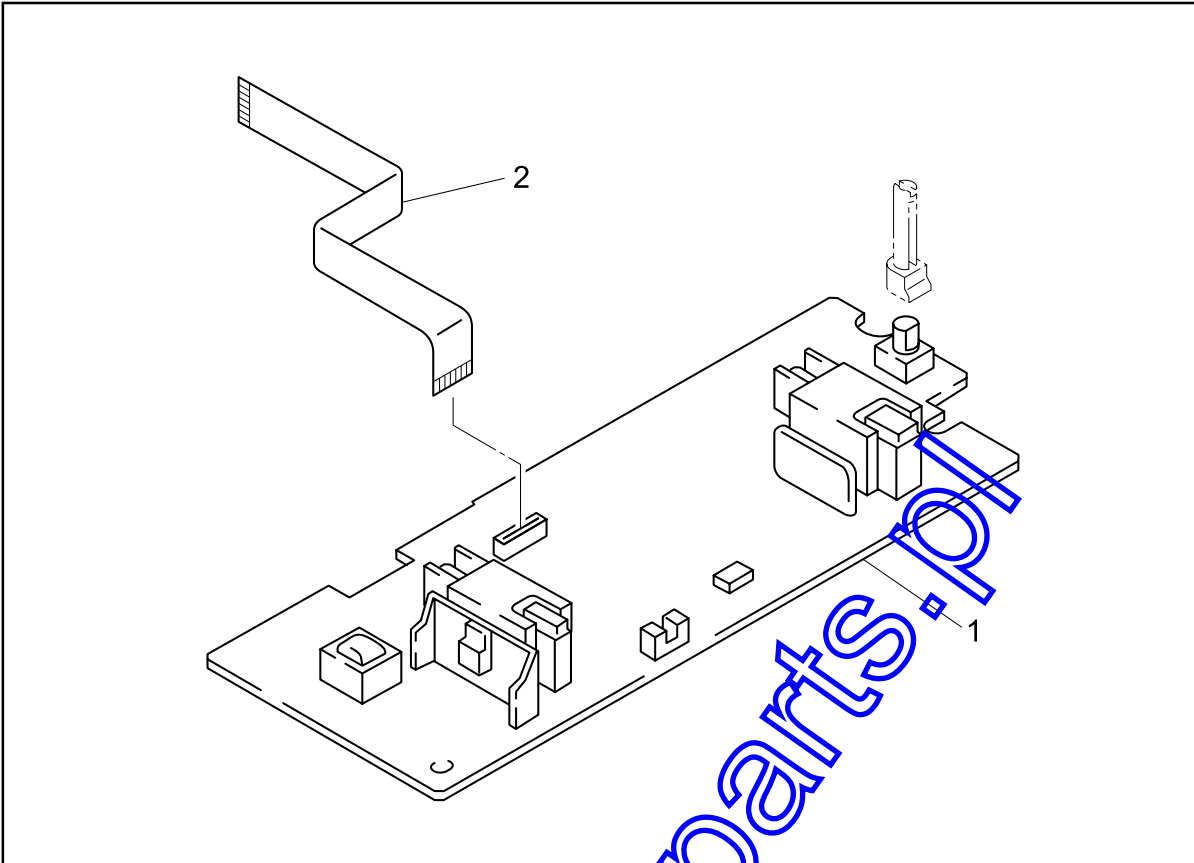
T/I NO. PR98208

11. AC CORDS

REF.NO.	CODE	Q'TY	DESCRIPTION	REMARK
1	UK3483001	1	AC CORD ASSY, US	
1	UK3485001	1	AC CORD ASSY, UK	
1	UK3487001	1	AC CORD ASSY, EUR	
1	UK3489001	1	AC CORD ASSY, SAA	
1	UK3491001	1	AC CORD ASSY, SEV	
1	UK3968001	1	AC CORD ASSY, DEMKO	
1	UK3495001	1	AC CORD ASSY, HEB	
1	UK3496001	1	AC CORD ASSY, S.AF	
1	UK3498001	1	AC CORD ASSY, CHLI	
2	UH3298001	1	CORE SPONGE LVPS ASSY	

MODEL HL-1070 54U-S03-230

10. HIGH-VOLTAGE POWER SUPPLY



MODEL HL-1070 54U-S03-230

11. AC CORDS

11-	
1A	1F
1B	1G
1C	1H
1D	1I
1E	

MODEL HL-1070 54U-S03-230

12. ACCESSORIES

REF.NO.	CODE	Q'TY	DESCRIPTION	REMARK
1	UK4086001	1	PR DRIVER DISK ASSY 1, WINDOWS	VER. #C
1	UK4206001	1	PR DRIVER DISK ASSY 1, WINDOWS (ISR)	
2	UK4088001	1	PR DRIVER DISK ASSY 2, FONT&DOS	
2	UK4208001	1	PR DRIVER DISK ASSY 2, FONT&DOS (ISR)	
3	UK4329001	1	CD-ROM ASSY (HL-1070/1660E/2060)	
4	UL6856000	2	PAPER SUPPORT	
5	UH3666001	1	USER'S MANUAL, US	
5	UH3669001	1	USER'S MANUAL, GER	
5	UH3678001	1	USER'S MANUAL, NOR	
5	UH3687001	1	USER'S MANUAL, DEN	
5	UH3690001	1	USER'S MANUAL, ITA	
5	UH3693001	1	USER'S MANUAL, SWE	
5	UH3672001	1	USER'S MANUAL, FRA	
5	UH3681001	1	USER'S MANUAL, NL	
5	UH2761001	1	USER'S MANUAL, SPA	
6	UH3667001	1	SET GUIDE, US	
6	UH3670001	1	SET GUIDE, GER	
6	UH3679001	1	SET GUIDE, NOR	
6	UH3688001	1	SET GUIDE, DEN	
6	UH3691001	1	SET GUIDE, ITA	
6	UH3694001	1	SET GUIDE, SWE	
6	UH3673001	1	SET GUIDE, FRA	
6	UH3682001	1	SET GUIDE, NL	
6	UH2762001	1	SET GUIDE, SPA	
7	UE2014001	1	BAG, 215X350H	

MODEL HL-1070 54U-S03-920

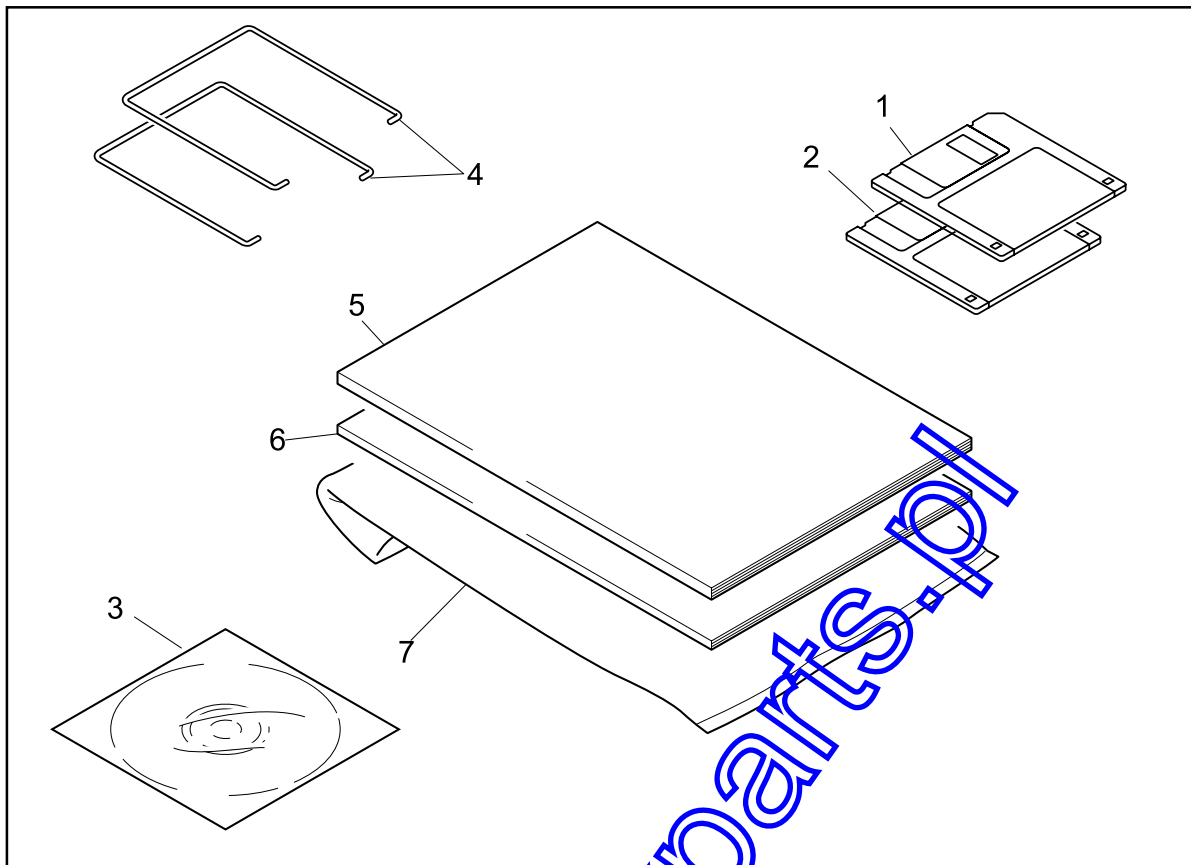
T/I NO. PR98111 / PR98211 / PR98263 / PR98264 / PR98279 / PR98316

13. PACKING MATERIALS

REF.NO.	CODE	Q'TY	DESCRIPTION	REMARK
1	UE0689001	1	CARTON, HL-1070	
2	UE0529000	1	STYROFOAM PAD ASSY HL-Y	
3	UE0533000	1	CARTON, ACCESSORIES	
4	UE0534001	1	BAG, 800X1000 (BODY)	
5	UL7932001	1	BAG, (DRUM UNIT)	
6	UE0596001	1	PE SHEET, 220X450	

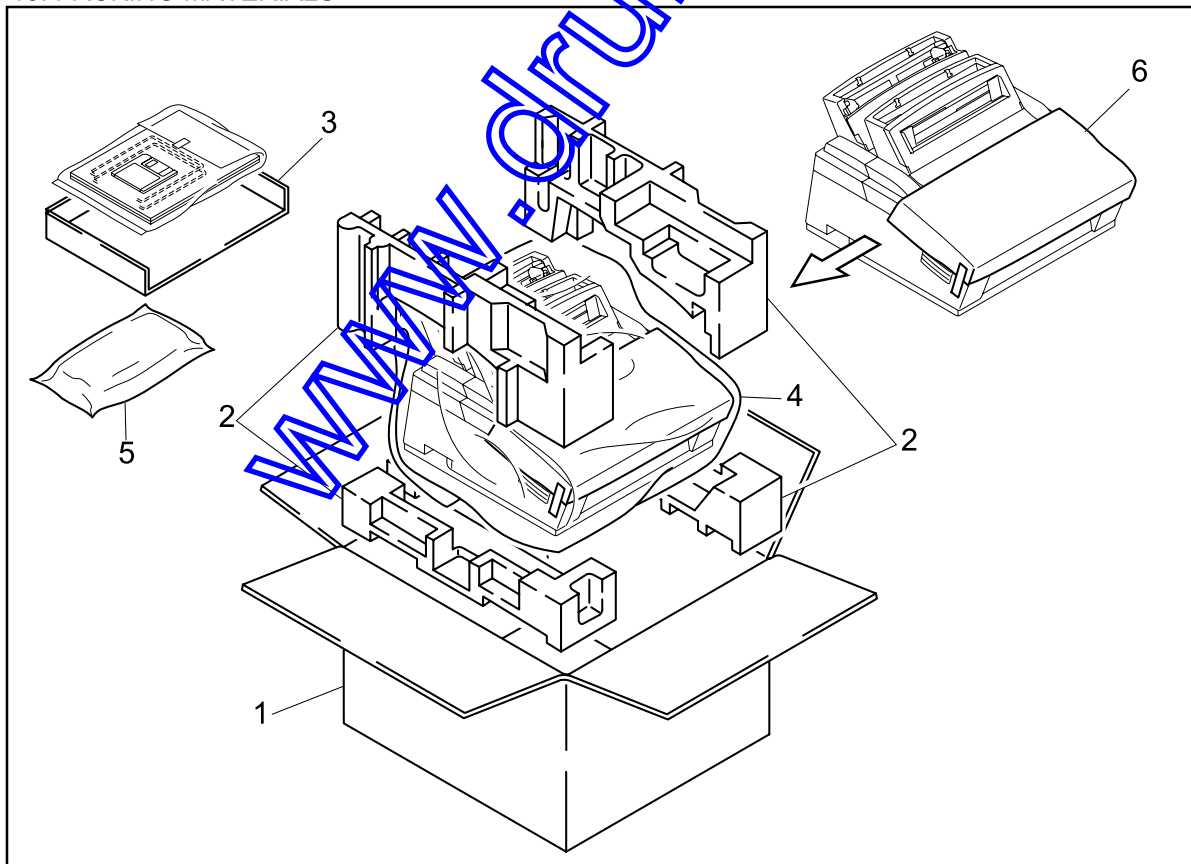
MODEL HL-1070 54U-S03-930

T/I NO. PR98063



T/I NO. PR98111 / PR98211 / PR98263 MODEL HL-1070 54U-S03-930

13. PACKING MATERIALS



T/I NO. PR98063

MODEL HL-1070 54U-S03-930