

brother®

LASER PRINTER

PARTS REFERENCE LIST

MODEL:HL-1060

www.drukparts.pl

MECHANISMS & ELECTRONICS

NOTE FOR USING THIS PARTS REFERENCE LIST

1. In the case of ordering parts, it needs mentioning the following items:

- (1) Code
- (2) Q'ty
- (3) Description
- (4) Symbol (PCB No., Revision , and Parts location mounted on the PCB.)

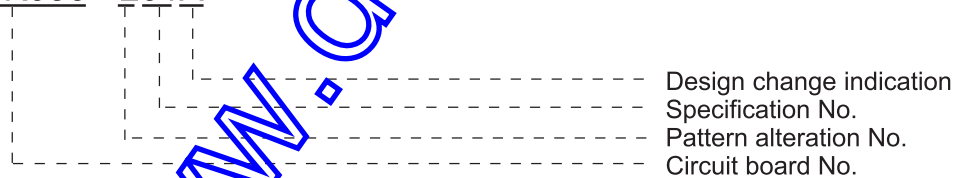
Note : No orders without Parts Code or Tool No. can be accepted.

< Example >

| REF.NO. | SYMBOL | CODE | Q'TY | DESCRIPTION | REMARKS |
|---------|--------|------|------|-------------|---------|
| | | | | | |

Revision No. : marked on the printed circuit board.

B48K056 - 201A



2. Design-changed parts:

If the parts are changed, any one of the following symbols is indicated in the REMARKS column.

- #A : compatible between old and new
- #B : replaceable from old to new
- #D : incompatible
- # : newly established

3. The original of this list was made based on the information available in Mar., 1997.

4. Parts are subject to change in design without prior notice.

CONTENTS

| | |
|-------------------------------------|----|
| 1. DRIVE UNIT | 1 |
| 2. SCANNER UNIT | 1 |
| 3. MP SHEET FEEDER | 3 |
| 4. PAPER FEEDER UNIT | 3 |
| 5. FIXING UNITS | 5 |
| 6. COVERS | 7 |
| 7. MAIN PCB | 5 |
| 8. DRIVER PCB | 10 |
| 9. POWER SUPPLY PCB | 10 |
| 10. HIGH-VOLTAGE POWER SUPPLY | 12 |
| 11. AC CORDS | 12 |
| 12. ACCESSORIES | 14 |
| 13. PACKING MATERIALS | 16 |

www.drukparts.pl

1. DRIVE UNIT

| REF.NO | CODE | Q'TY | DESCRIPTION | REMARK |
|--------|-----------|------|-----------------------------|--------|
| 1 | UH3302001 | 1 | DRIVE UNIT Y (SP) | |
| 2 | UH3031000 | 1 | REGIST SOLENOID LEVER | |
| 3 | UH3032001 | 1 | REGIST SOLENOID | |
| 4 | UH3033001 | 1 | REGIST SOLENOID SPRING | |
| 5 | 060300605 | 4 | SCREW, BIND M3X6 | |
| 6 | 060300605 | 4 | SCREW, BIND M3X6 | |
| 7 | UH3036001 | 1 | MAIN MOTOR ASSY | |
| 8 | 085320516 | 4 | TAPTITE, BIND S M3X4 | |
| 9 | UH3037000 | 2 | GROUND PLATE SPRING | |
| 10 | UH3038000 | 1 | STATIC REMOVAL PLATE SPRING | |
| 11 | UK3584001 | 1 | MAIN MOTOR HARNESS ASSY | |
| 12 | UH3040000 | 1 | HEATER HARNESS HOOK | |
| 13 | 087411215 | 6 | TAPTITE, CUP B M4X12 | |
| 14 | UH3046000 | 2 | PLATE SPRING FILM | |
| 15 | UH3047000 | 2 | PLATE SPRING CAP | |
| 16 | 0A2300605 | 2 | SCREW, PAN (WASHER) M3X6B | |

MODEL HL-1060 54U-S01-010

T/I NO. PR98056

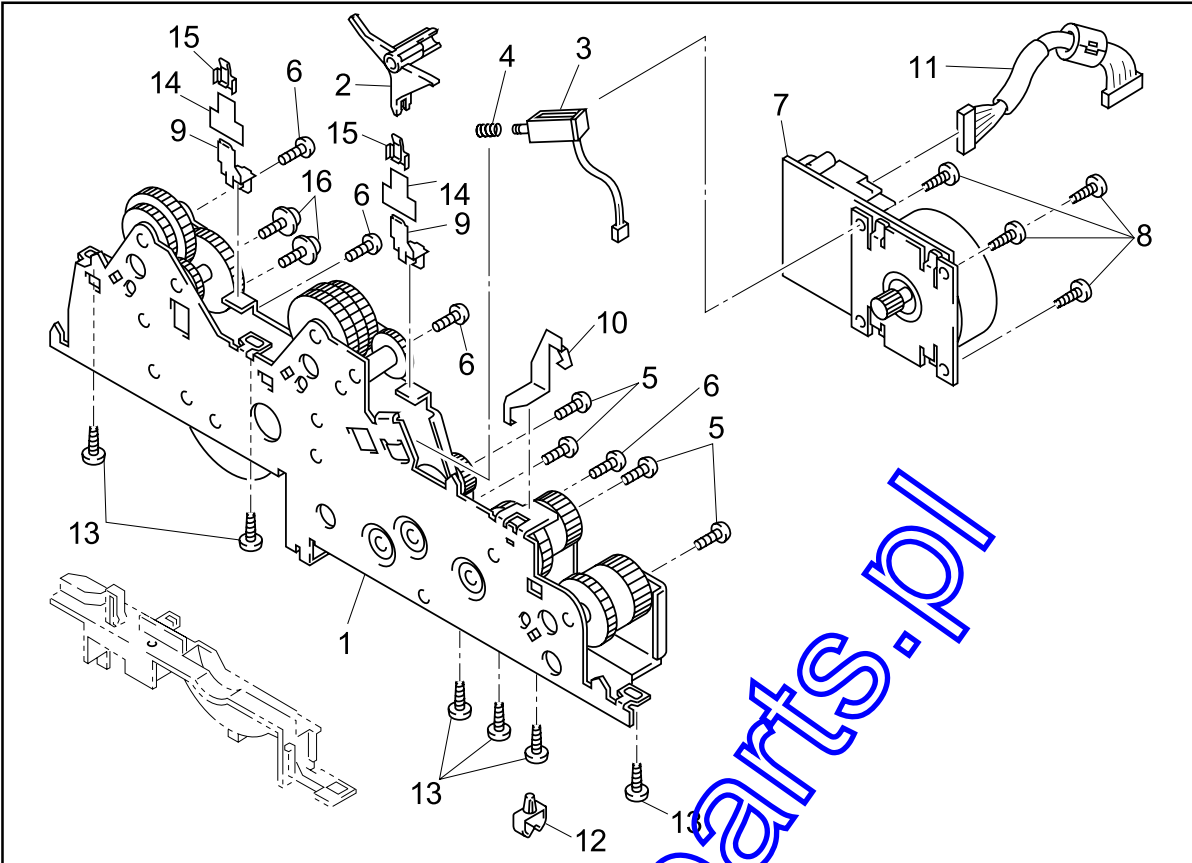
2. SCANNER UNIT

| REF.NO | CODE | Q'TY | DESCRIPTION | SYMBOL | REMARK |
|--------|-----------|------|---------------------------|-----------|--------|
| 1-2 | UH3301001 | 1 | SCANNER UNIT Y (SP) | (B48K226) | |
| 1 | UL6614001 | 1 | S SHEET 1 | | |
| 2 | UL6615001 | 1 | S SHEET 2 | | |
| 3 | UG4142001 | 1 | TONER SENSOR PCB ASSY F | B53K268 | |
| 4 | 087310815 | 2 | TAPTITE, CUP B M3X8 | | |
| 5 | UK3588001 | 1 | TONER SENSOR HARNESS ASSY | | |
| 6 | 085411215 | 3 | TAPTITE, BIND B M4X12 | | |
| 7 | UL6740001 | 1 | LASER CAUTION LABEL, EUR | | |
| 8 | UL6741001 | 1 | CAUTION LABEL, TONER | | |

MODEL HL-1060 54U-S01-020

T/I No. 97-P028 / 97-P045 / 97-P052

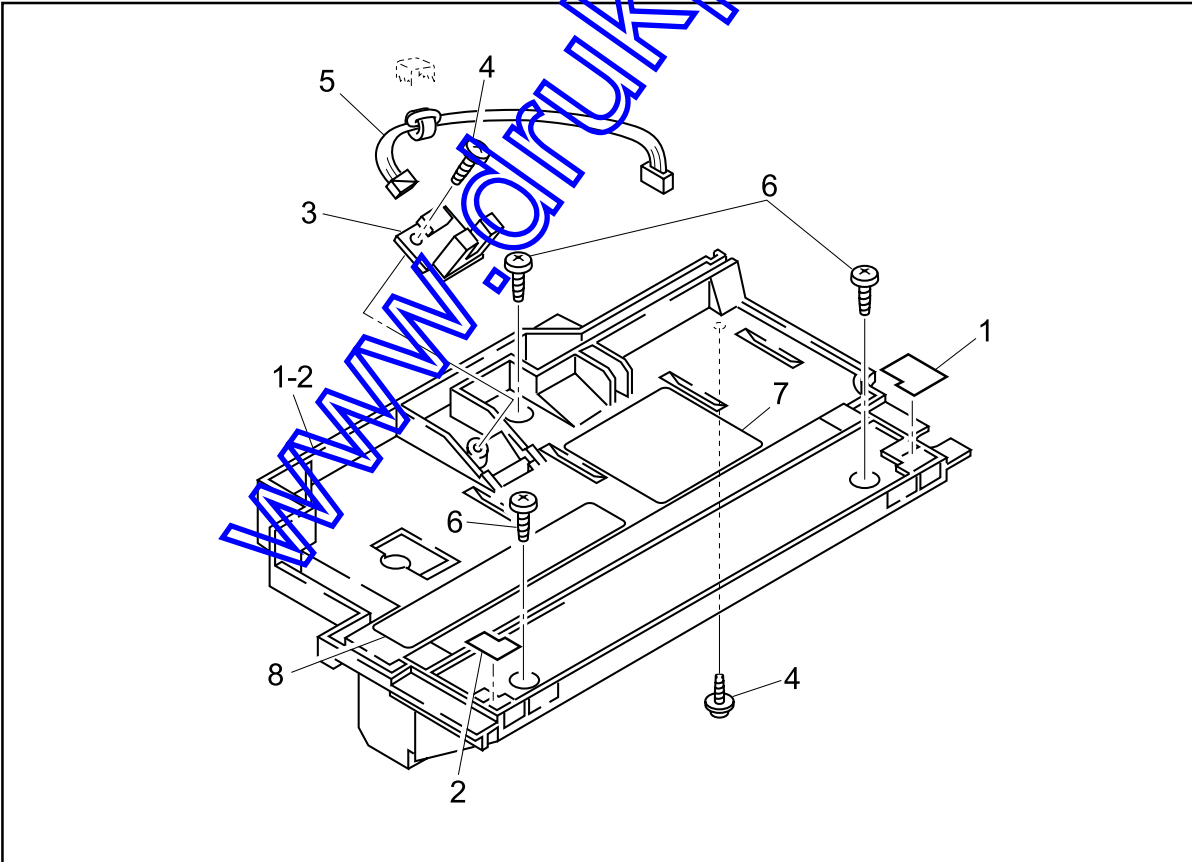
1. DRIVE UNIT



T/I NO. PR98056

MODEL HL-1060 54U-S01-010

2. SCANNER UNIT



MODEL HL-1060 54U-S01-020

T/I No. 97-P028 / 97-P045 / 97-P052

3. MP SHEET FEEDER

| REF.NO | CODE | Q'TY | DESCRIPTION | REMARK |
|--------|-----------|------|----------------------------------|--------|
| 1 | UH3303001 | 1 | MP SHEET FEEDER 1 ASSY Y (SP) | |
| 1-1 | UH3314001 | 1 | MP FEEDER 1 COVER ASSY HY (SP) | |
| 1-2 | UH3078001 | 1 | PICK-UP ROLLER COVER 1, GRAY1227 | |
| 1-3 | UH3074001 | 1 | P PICK-UP ROLLER SHAFT ASSY Y | |
| 1-4 | UH3077001 | 1 | REGIST SENSOR ACTUATOR 1Y | |
| 1-5 | UD4742001 | 1 | REGIST SENSOR ACTUATOR FILM | |
| 2 | UH3304001 | 1 | MP SHEET FEEDER 2 ASSY Y (SP) | |
| 2-1 | UD4344001 | 1 | MP FEEDER 2 COVER HY | |
| 2-2 | UH3104001 | 1 | PICK-UP ROLLER COVER 2, GRAY1227 | |
| 2-3 | UH3074001 | 1 | P PICK-UP ROLLER SHAFT ASSY Y | |

MODEL HL-1060 54U-S01-040/041

T/I NO. PR98062

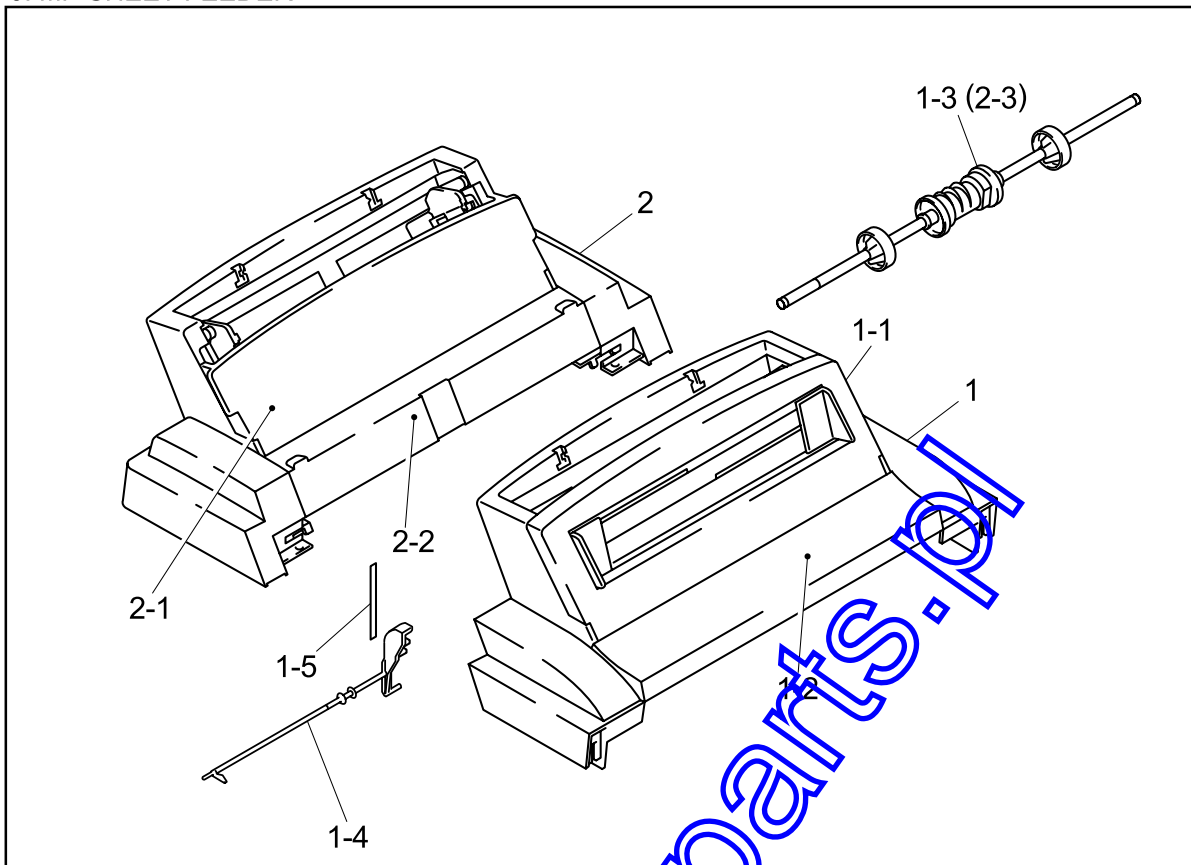
4. PAPER FEEDER UNIT

| REF.NO | CODE | Q'TY | DESCRIPTION | REMARK |
|--------|-----------|------|-------------------------------|--------|
| 1-10 | UH3305001 | 1 | PAPER FEED UNIT Y (SP) | |
| 1 | UH3154001 | 1 | REGIST SENSOR ACTUATOR 2 YL | |
| 2 | UH3140001 | 1 | REGIST SENSOR LINK, BLACK | |
| 3 | UH3141001 | 1 | SPRING, EXTENSION | |
| 4 | UL6933001 | 1 | PAPER DUST REMOVING BRUSH S | |
| 5 | UH3145000 | 2 | PAPER PICK-UP SOLENOID LEVER | |
| 6 | 087270815 | 2 | TAPTITE, CUP B M2.6X8 | |
| 7 | UH3146001 | 1 | PAPER PICK-UP SOLENOID ASSY 1 | |
| 8 | UH3147001 | 1 | PAPER PICK-UP SOLENOID ASSY 2 | |
| 9 | 087310815 | 2 | TAPTITE, CUP B M3X8 | |
| 10 | 085411416 | 4 | TAPTITE, BIND B M4X14 | |
| 11 | 085411216 | 2 | TAPTITE, BIND B M4X12 | |

MODEL HL-1060 54U-S01-042

TI NO. 97-P079

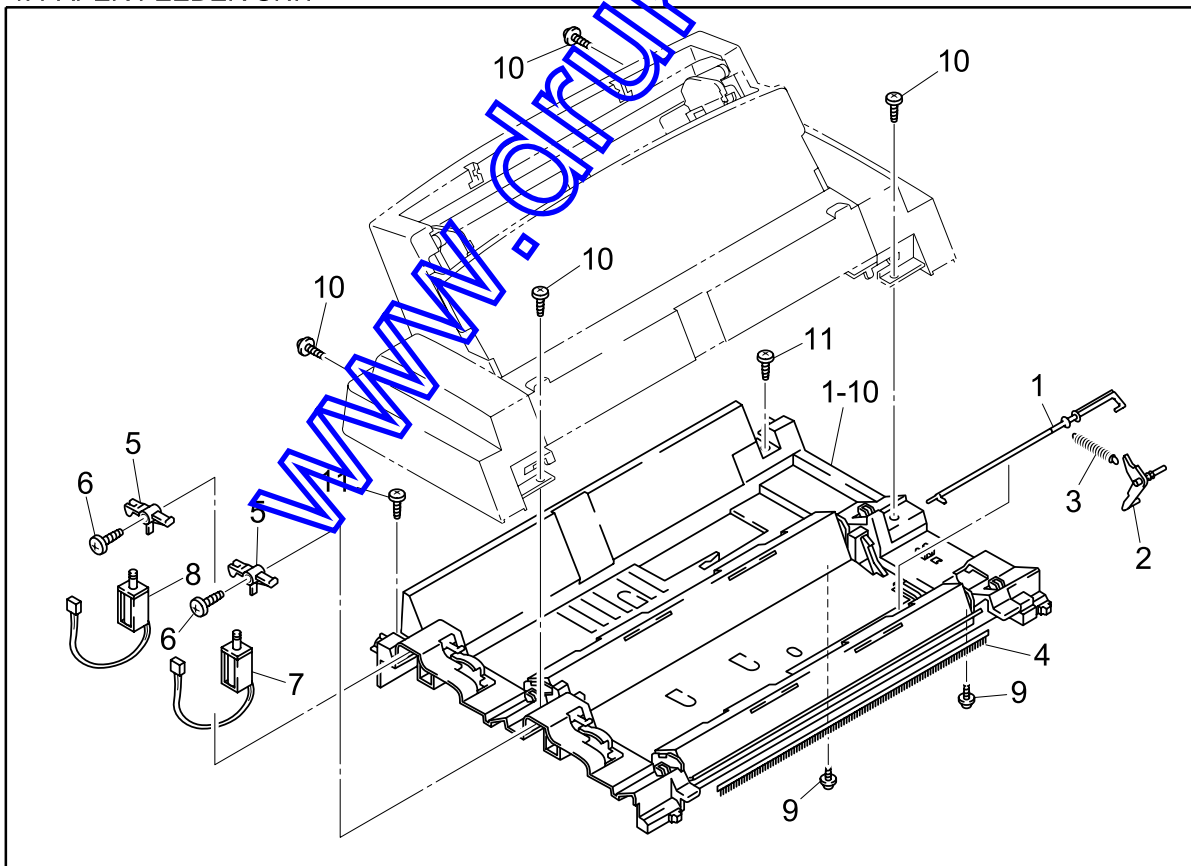
3. MP SHEET FEEDER



T/I NO. PR98062

MODEL HL-1060 54U-S01-040/041

4. PAPER FEEDER UNIT



MODEL HL-1060 54U-S01-042

5. FIXING UNITS

| REF.NO | CODE | Q'TY | DESCRIPTION | REMARK |
|--------|-----------|------|---------------------------|--------|
| 1-9 | UH3164001 | 1 | FIXING UNIT Y, 120V (SP) | |
| 1-9 | UH3165001 | 1 | FIXING UNIT Y, 230V (SP) | |
| 1 | UH3306001 | 1 | HALOGEN LAMP Y, 120V (SP) | |
| 1 | UH3307001 | 1 | HALOGEN LAMP Y, 230V (SP) | |
| 2 | 087411616 | 2 | TAPTITE, CUP B M4X16 | |
| 3 | UL6667001 | 1 | THERMISTOR ASSY | |
| 4 | UH3188001 | 1 | CLEANER ASSY Y | |
| 5 | UH3178000 | 2 | H/R BEARING Y | |
| 6 | UH3419001 | 1 | HEAT ROLLER YS ASSY | |
| 7 | 087311415 | 1 | TAPTITE, CUP B 3X14 | |
| 8 | UH3323001 | 4 | EJECT PINCH ROLLER ASSY | |
| 9 | UL6682001 | 4 | PINCH SPRING | |

MODEL HL-1060 54U-S01-051

T/I NO. PR98040 / PR98292 / PR99042

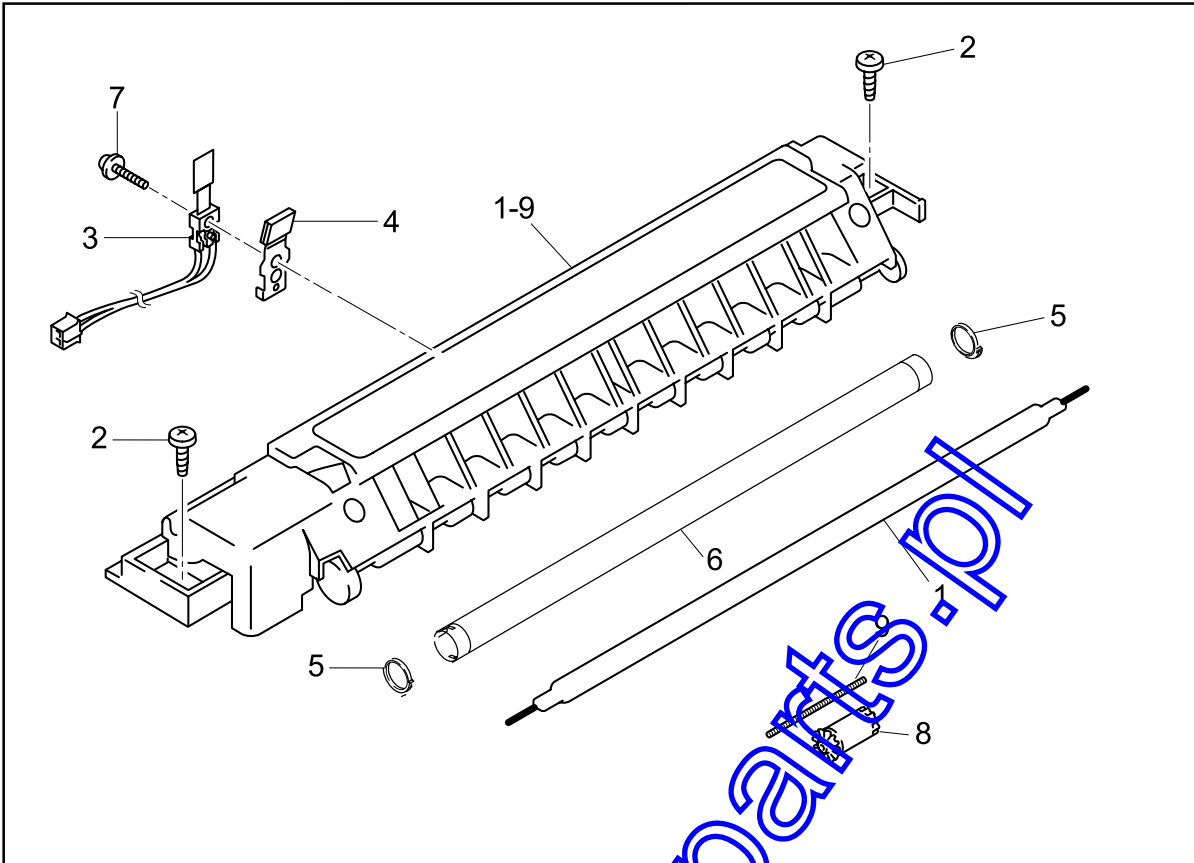
7. MAIN PCB

| REF.NO | CODE | Q'TY | DESCRIPTION | SYMBOL | REMARK |
|--------|-----------|------|-----------------------------|--------------|--------|
| 1 | UK3439001 | 1 | MAIN PCB ASSY, PC15 2M (SP) | B48K246-300J | |
| 1-1 | UK3538000 | 1 | MASK ROM: HL-1060EV1N | | |
| 1-2 | UK3539000 | 1 | MASK ROM: HL-1060QDD | | |

MODEL HL-1060 54U-S01-101

T/I No. 97-P028 / 97-P043 / PR97161 / PR99049

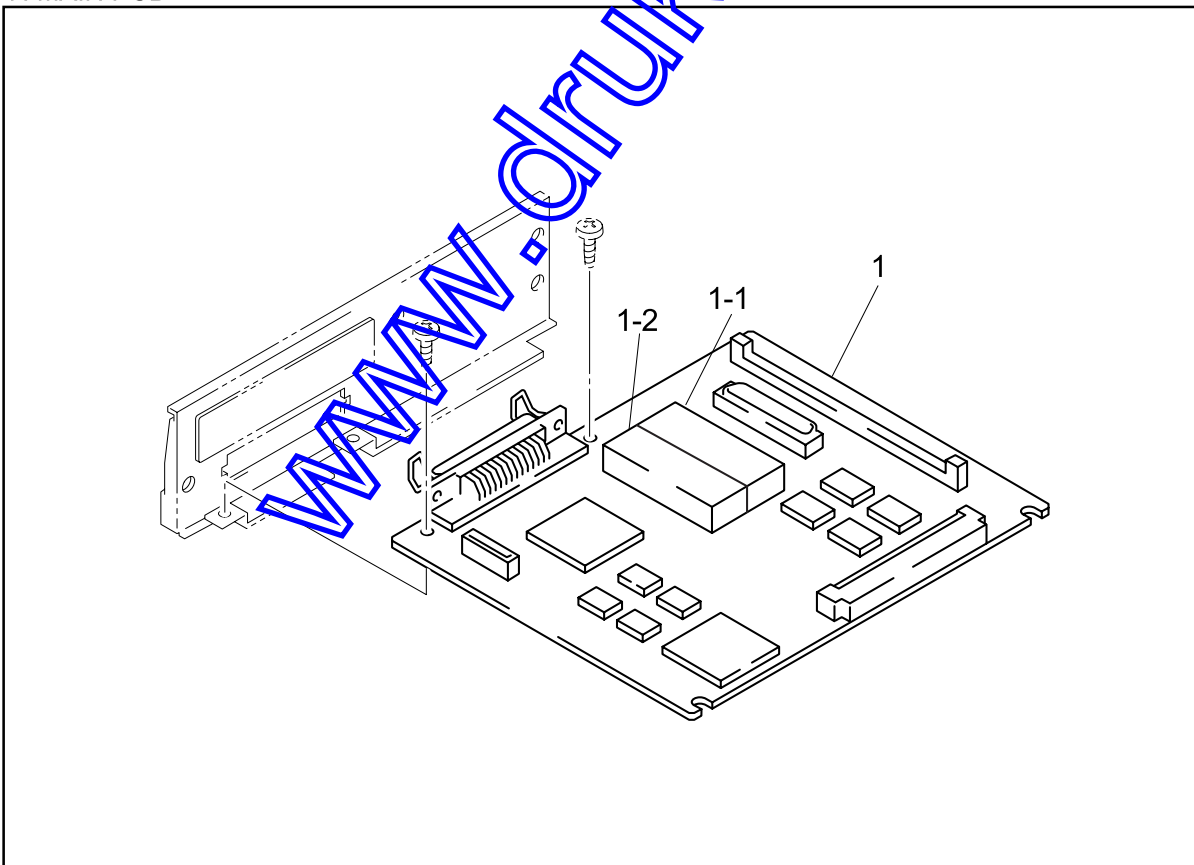
5. FIXING UNITS



T/I NO. PR98040 / PR98292

MODEL HL-1060 54U-S04-057

7. MAIN PCB



T/I NO. PR99049

MODEL HL-1060 54U-S01-101

6. COVERS

| REF.NO | CODE | Q'TY | DESCRIPTION | SYMBOL | REMARK |
|--------|-----------|------|---------------------------------------|---------|--------|
| 1 | 087310815 | 1 | TAPTITE, CUP B M3X8 | | |
| 2 | 087310815 | 1 | TAPTITE, CUP B M3X8 | | |
| 3 | 087310815 | 2 | TAPTITE, CUP B M3X8 | | |
| 4 | 087310815 | 2 | TAPTITE, CUP B M3X8 | | |
| 5 | UL6721000 | 1 | LOCK LEVER | | |
| 6 | UL6722001 | 1 | SPRING, COMPRESSION | | |
| 7 | UH3244001 | 1 | SPRING, PR LOCK Y | | |
| 8 | UH3207001 | 1 | PAPER EJECT ACTUATOR, BLACK | | |
| 9 | UH3208000 | 1 | SENSOR LEVER | | |
| 10 | UH3245001 | 1 | SPRING, LEVER | | |
| 11 | UK3432001 | 1 | EL PCB UNIT Y | B48K228 | |
| 12 | UH3245001 | 1 | SPRING, LEVER | | |
| 13 | UH3242001 | 1 | INTERLOCK LEVER | | |
| 14 | UK3632001 | 1 | RELAY PCB ASSY | B48K282 | |
| 15 | UK3621001 | 1 | RELAY HARNESS ASSY | | |
| 16 | UK3633001 | 1 | TRANSFER PCB ASSY | B48K283 | |
| 18 | UH3210001 | 1 | FAN MOTOR 80 | | |
| 19 | UH3211000 | 1 | FAN HOLDER | | |
| 20 | 083313515 | 2 | TAPTITE, PAN B M3X35 | | |
| 21 | 085411215 | 1 | TAPTITE, BIND B M4X12 | | |
| 22 | UK3631001 | 1 | CONTROL PANEL PCB ASSY | B48K281 | |
| 23 | UK3586001 | 1 | SW PANEL HARNESS ASSY | | |
| 24 | UH3212001 | 1 | REGIST SENSOR ACTUATOR, BODY BLACK | | |
| 25 | UH3237001 | 1 | REGIST SENSOR SPRING | | |
| 26 | UH3213000 | 1 | GEAR COVER | | |
| 27 | 087310815 | 4 | TAPTITE, CUP B M3X8 | | |
| 28 | UH3215001 | 1 | DENSITY DIAL Y, GRAY1251 | | |
| 29 | UH3216000 | 1 | BASE PLATE | | |
| 30 | UH2208001 | 4 | RUBBER FOOT | | |
| 31 | 085411215 | 1 | TAPTITE, BIND B M4X12 | | |
| 32 | 085411215 | 1 | TAPTITE, BIND B M4X12 | | |
| 33 | 085411215 | 1 | TAPTITE, BIND B M4X12 | | |
| 34 | 085411215 | 5 | TAPTITE, BIND B M4X12 | | |
| 35 | 0A5350605 | 1 | SCREW, PAN (SP) WASHER) M3.5X6 | | |
| 36 | 087320616 | 4 | TAPTITE, CUP S M3X6 | | |
| 37 | UF3043001 | 1 | TAPTITE, PAN (WASHER) 3X6DB | | |
| 38-38 | UH3217001 | 1 | I/F SHIELD ASSY | | |
| 38 | 002300616 | 2 | SCREW, PAN M3X6 | | |
| 39 | 087320616 | 2 | TAPTITE, CUP S M3X6 | | |
| 40 | 002400616 | 4 | SCREW, PAN M4X6 | | |
| 41 | UH3219001 | 1 | TOP COVER | | |
| 42 | UH3313001 | 1 | OUTPUT TRAY ASSY (SP) | | |
| 43 | UH3401000 | 1 | EXTENSION SUPPORT WIRE LTR | | |
| 43 | UH3250000 | 1 | EXTENSION SUPPORT WIRE A4 | | |
| 44 | UH3221001 | 1 | MODEL PLATE, HL-1060 | | |
| 44 | UH3239001 | 1 | MODEL PLATE, HL-1060 EUR | | |
| 45 | UH0905001 | 1 | PATENT LABEL, US/CSA | | |
| 47 | UH3243001 | 1 | MYLAR LABEL, HL-1060 CAN | | |
| 47 | UH3320001 | 1 | MYLAR LABEL, HL-1060 US | | |
| 48 | UH3225001 | 2 | PAPER SETTING LABEL Y | | |
| 49 | UH3227001 | 1 | PANEL COVER, GRAY1227 | | |
| 50 | UH3228000 | 1 | PANEL RIGHT GUIDE Y | | |
| 51 | UH3229001 | 1 | SWITCH KEY | | |
| 52 | UG3005000 | 1 | FERRITE CORE:16X8X10 | | |

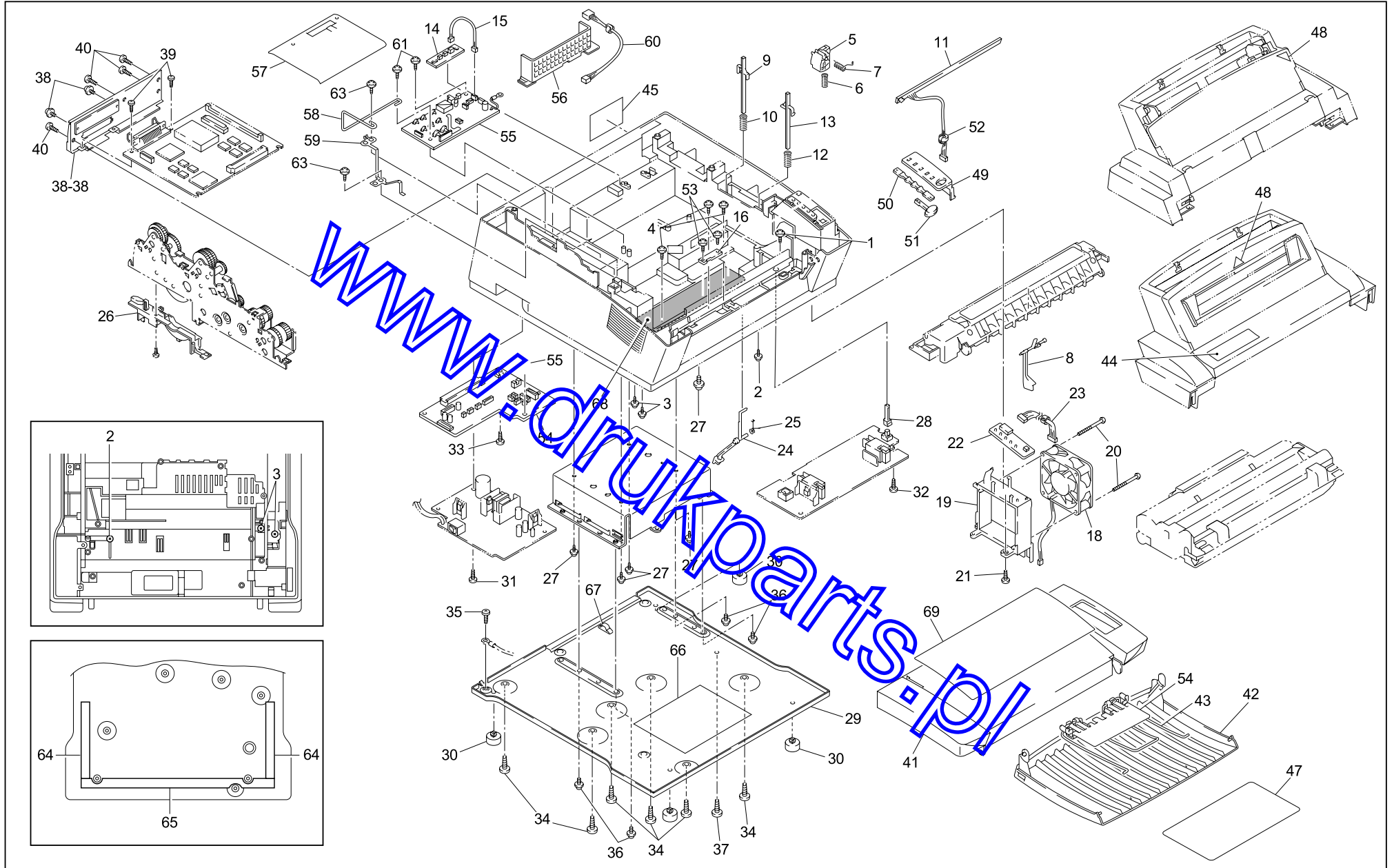
MODEL HL-1060 54U-S01-060

| REF.NO | CODE | Q'TY | DESCRIPTION | SYMBOL | REMARK |
|--------|-----------|------|----------------------|--------|--------|
| 53 | 087311216 | 2 | TAPTITE, CUP B M3X12 | | |
| 54 | UH3249001 | 1 | PAPER STOPPER LTR | | |
| 54 | UH3248001 | 1 | PAPER STOPPER A4 | | |
| 55 | UK3608001 | 1 | SR PS ASSY (SP) | | |
| 56 | UH3370001 | 1 | HIGH-VALTAGE COVER | | |
| 57 | UH3371000 | 1 | SR PROTECT SHEET | | |
| 58 | UH3368001 | 1 | ELECTRODE SR1 | | |
| 59 | UH3369001 | 1 | ELECTRODE SR2 | | |
| 60 | UK3624001 | 1 | SR HARNESS ASSY | | |
| 61 | 087411415 | 2 | TAPTITE, CUP B M4X14 | | |
| 63 | 087310815 | 1 | TAPTITE, CUP B M3X8 | | |
| 64 | UH3405001 | 2 | SOUNDPROOF SPONGE A | | |
| 65 | UH3406001 | 1 | SOUNDPROOF SPONGE B | | |
| 66 | UH3412001 | 1 | DAMPING MATERIAL | | |
| 67 | UH3372000 | 1 | SHIELD FINGER | | |
| 68 | UH3064001 | 1 | S SEAL SPONGE | | |
| 69 | UH3167001 | 1 | TOP COVER LABEL | | |

www.drukparts.pl

MODEL HL-1060 54U-S01-060

6. COVERS



T/I NO. 97-P028 / 97-P030 / 97-P045 / PR97038

MODEL HL-1060 54U-S01-060

8. DRIVER PCB

| REF.NO | CODE | Q'TY | DESCRIPTION | SYMBOL | REMARK |
|--------|-----------|------|----------------------|---------|--------|
| 1 | UK3440001 | 1 | DRIVER PCB ASSY (SP) | B48K280 | |

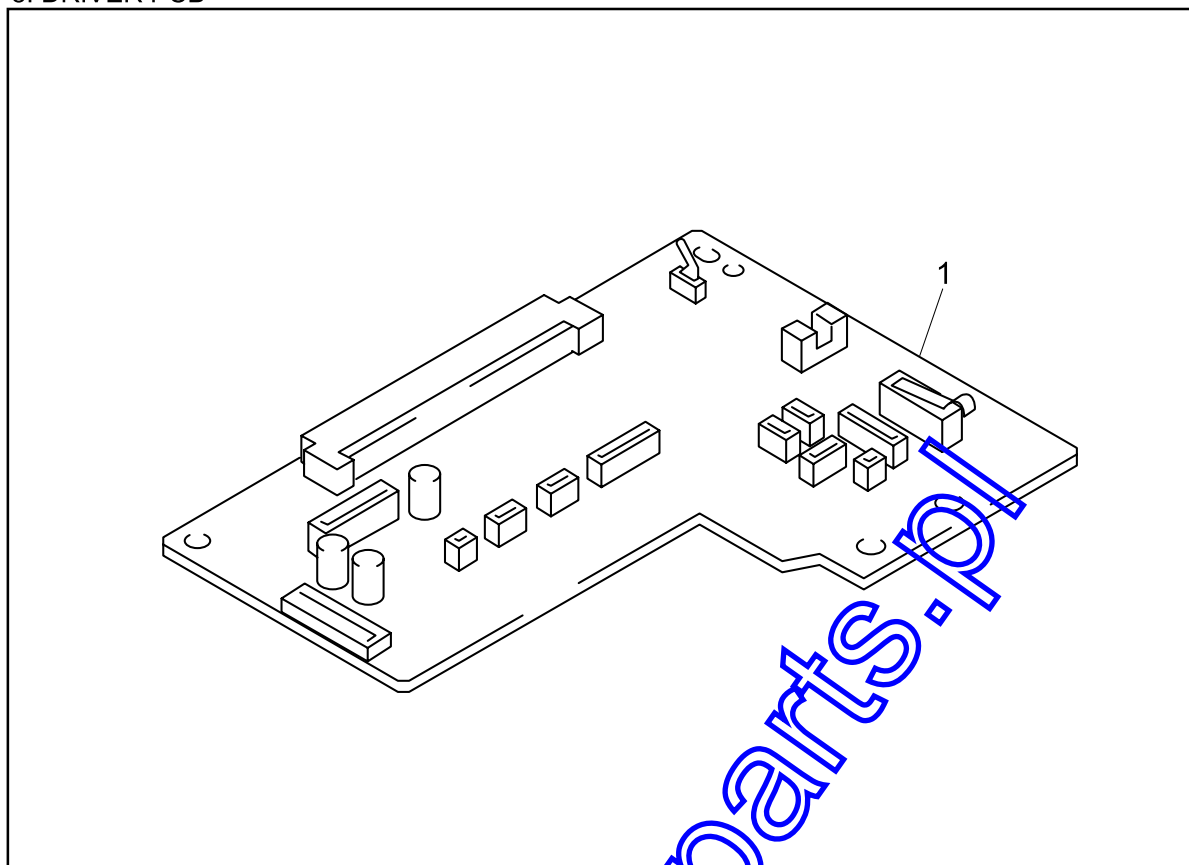
MODEL HL-1060 54U-S01-151

9. POWER SUPPLY PCB

| REF.NO | CODE | Q'TY | DESCRIPTION | SYMBOL | REMARK |
|--------|-----------|------|--------------------------------|--------|--------|
| 1 | UK3441001 | 1 | LOW-VOLTAGE PS ASSY, 115V (SP) | REV.B | |
| 1 | UK3442001 | 1 | LOW-VOLTAGE PS ASSY, 230V (SP) | REV.B | |
| 2 | UK3585001 | 1 | LV HARNESS ASSY | | |
| 3 | UK3461001 | 1 | HEATER HARNESS ASSY | | |
| 4 | J02101051 | 1 | BINDER 2.3X79 | | |

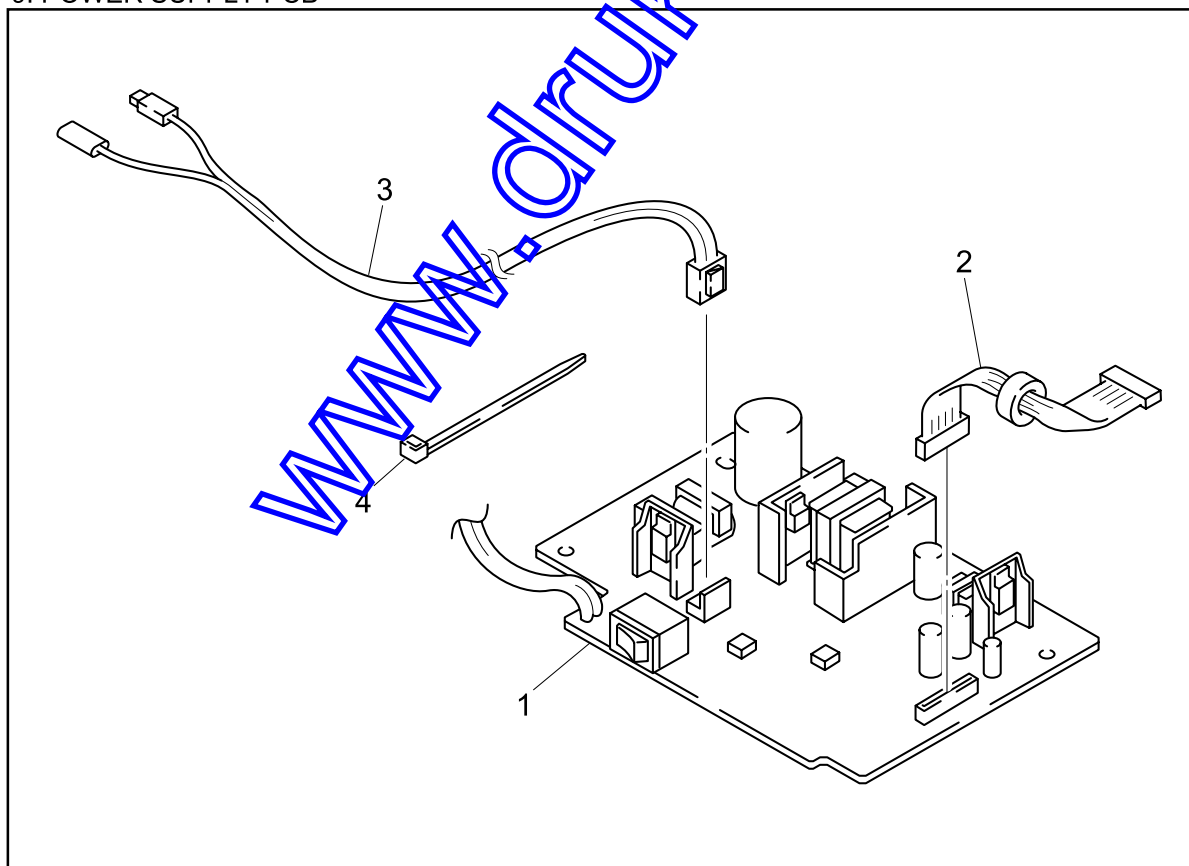
MODEL HL-1060 54U-S01-201

8. DRIVER PCB



MODEL HL-1060 54U-S01-15

9. POWER SUPPLY PCB



MODEL HL-1060 54U-S01-210

10. HIGH VOLTAGE POWER SUPPLY

| REF.NO | CODE | Q'TY | DESCRIPTION | SYMBOL | REMARK |
|--------|-----------|------|---------------------------|--------|--------|
| 1 | UK3443001 | 1 | HIGH-VOLTAGE PS ASSY (SP) | REV.D | |
| 2 | UK3433001 | 1 | HV FLAT CABLE 11 | | |

MODEL HL-1060 54U-S01-220

T/I NO. PR98208

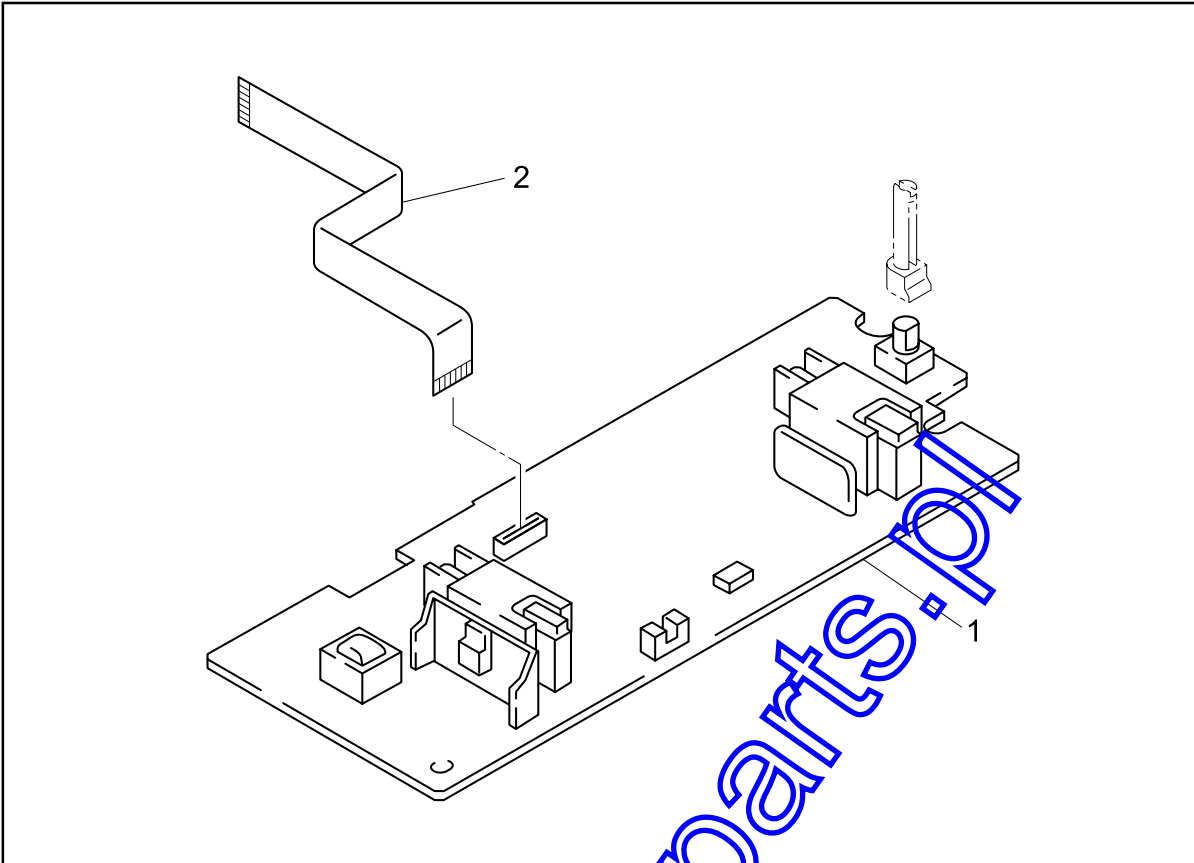
11. AC CORDS

| REF.NO | CODE | Q'TY | DESCRIPTION | REMARK |
|--------|-----------|------|-----------------------|--------|
| 1 | UK3483001 | 1 | AC CORD ASSY, US | |
| 1 | UK3485001 | 1 | AC CORD ASSY, UK | |
| 1 | UK3487001 | 1 | AC CORD ASSY, EUR | |
| 1 | UK3489001 | 1 | AC CORD ASSY, SAA | |
| 1 | UK3491001 | 1 | AC CORD ASSY, SEV | |
| 1 | UK3968001 | 1 | AC CORD ASSY, DEMKO | |
| 1 | UK3495001 | 1 | AC CORD ASSY, HEB | |
| 1 | UK3496001 | 1 | AC CORD ASSY, S.AF | |
| 1 | UK3498001 | 1 | AC CORD ASSY, CHLI | |
| 2 | UH3298001 | 1 | CORE SPONGE LVPS ASSY | |

MODEL HL-1060 54U-S01-230

T/I NO. PR98037

10. HIGH-VOLTAGE POWER SUPPLY



MODEL HL-1060 54U-S01-230

11. AC CORDS

| | |
|-----|----|
| 11- | |
| 1A | 1F |
| 1B | 1G |
| 1C | 1H |
| 1D | 1I |
| 1E | |

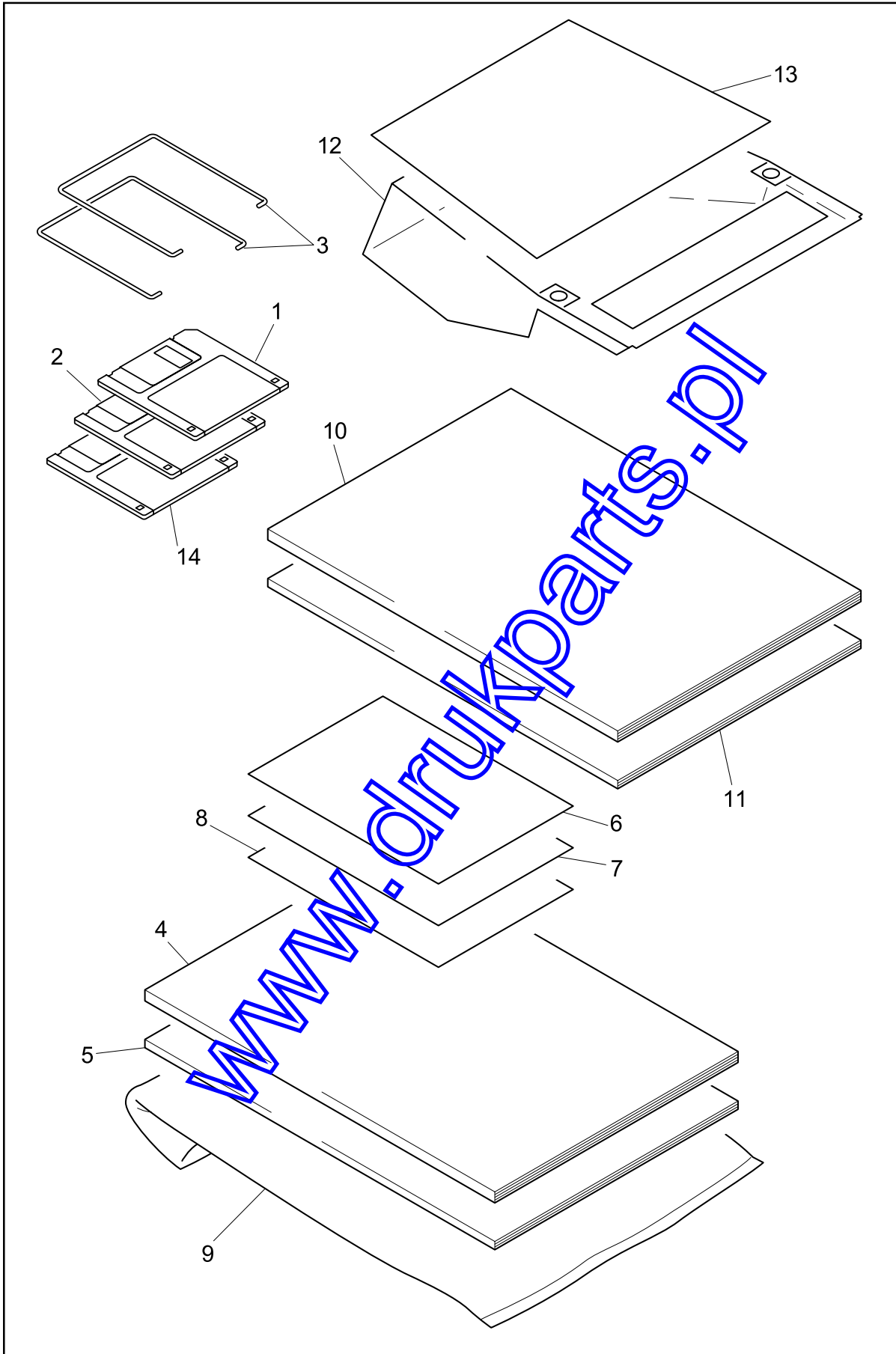
MODEL HL-1060 54U-S01-230

12. ACCESORRIES

| REF.NO | CODE | Q'TY | DESCRIPTION | REMARK |
|--------|-----------|------|---------------------------------------|--------|
| 1 | UK3507001 | 1 | PR DRIVER DISK ASSY 1, WINDOWS | |
| 1 | UK3720001 | 1 | PR DRIVER DISK ASSY 1, WINDOWS (ISR) | |
| 2 | UK3509001 | 1 | PR DRIVER DISK ASSY 2, FONT&DOS | |
| 2 | UK3722001 | 1 | PR DRIVER DISK ASSY 2, FONT&DOS (ISR) | |
| 14 | UK3676001 | 1 | PR DRIVER DISK ASSY 3 | |
| 14 | UK3714001 | 1 | PR DRIVER DISK ASSY 5 (CANADA) | |
| 3 | UL6856000 | 2 | PAPER SUPPORT | |
| 4 | UH3252001 | 1 | USER'S MANUAL, US | |
| 4 | UH3255001 | 1 | USER'S MANUAL, GER | |
| 4 | UH3276001 | 1 | USER'S MANUAL, NOR | |
| 4 | UH3284001 | 1 | USER'S MANUAL, DEN | |
| 4 | UH3287001 | 1 | USER'S MANUAL, ITA | |
| 4 | UH3290001 | 1 | USER'S MANUAL, SWE | |
| 4,10 | UH3265001 | 1 | USER'S MANUAL, FRA | |
| 4,10 | UH3279001 | 1 | USER'S MANUAL, NL | |
| 5 | UH3253001 | 1 | SET GUIDE, US | |
| 5 | UH3256001 | 1 | SET GUIDE, GER | |
| 5 | UH3277001 | 1 | SET GUIDE, NOR | |
| 5 | UH3285001 | 1 | SET GUIDE, DEN | |
| 5 | UH3288001 | 1 | SET GUIDE, ITA | |
| 5 | UH3291001 | 1 | SET GUIDE, SWE | |
| 5,11 | UH3266001 | 1 | SET GUIDE, FRA | |
| 5,11 | UH3280001 | 1 | SET GUIDE, NL | |
| 6 | UH2717001 | 1 | WARRANTY CARD, USA | |
| 6 | UH2693001 | 1 | WARRANTY CARD, CAN | |
| 6 | UL7581001 | 1 | WARRANTY CARD, FRA2 | |
| 7 | UL7426001 | 1 | SC INSERTION SHEET, US | |
| 8 | UH3261001 | 1 | ACCESSORY ORDER FORM (USA) | |
| 8 | UH3294001 | 1 | ACCESSORY ORDER FORM (CANADA) | |
| 9 | UE2014001 | 1 | BAG, 215X350H | |
| 12 | UH3257001 | 1 | DUST COVER Y | |
| 13 | UH3260001 | 1 | INSERTION DC | |

MODEL HL-1060, 54U, 901-920

T/I No. 97-P028 / 97-P038 / 97-P057 / 97-P062 / 97-P074 / PR97113



www.drukparts.pl

13. PACKING MATERIALS

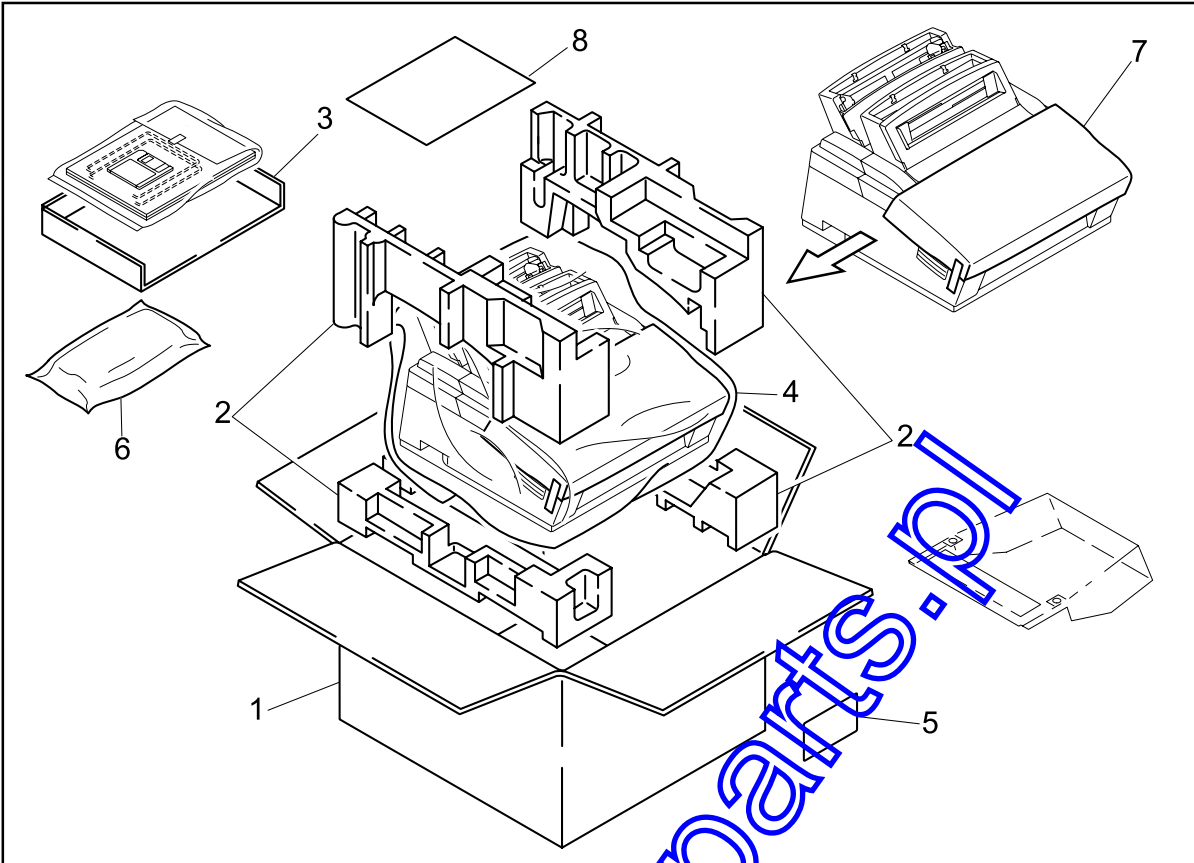
| REF.NO | CODE | Q'TY | DESCRIPTION | REMARK |
|--------|-----------|------|-----------------------------------|--------|
| 1 | UE0507001 | 1 | CARTON, USA/CAN HL-1060 | |
| 1 | UE0508001 | 1 | CARTON, EUR HL-1060 | |
| 2 | UE0529000 | 1 | STYROFOAM PAD ASSY HL-Y | |
| 3 | UE0533000 | 1 | CARTON, ACCESORRIES | |
| 4 | UE0534001 | 1 | BAG, 800X1000 (BODY) | |
| 5 | UH3351001 | 1 | BAR CODE LABEL, 52438 USA HL-1060 | |
| 5 | UH3352001 | 1 | BAR CODE LABEL, 52562 EUR HL-1060 | |
| 6 | UL7932001 | 1 | BAG, (DRUM UNIT) | |
| 7 | UE0596001 | 1 | PE SHEET 220X450 | |
| 8 | UH3373001 | 1 | NO RETURN FORM (USA) | |
| 8 | UH3295001 | 1 | NO RETURN FORM (CANADA) | |

MODEL HL-1060 54U-S01-930

T/I No. 97-P019 / 97-P081

www.drukparts.pl

13. PACKING MATERIALS



MODEL HL-1060 5U-001-930